

Job Name/Location:

Tag #:

Date:

For: File Resubmit

PO No.:

Approval Other

Architect:

GC:

Engr:

Mech:

Rep:

(Company)

(Project Manager)

LS090HYV

ArtCool™ Premier Ultra Efficiency Single Zone Inverter
Outdoor Unit (ODU) - LSU090HYV Indoor Unit (IDU) - LSN090HYV



Performance:

Cooling:

| | |
|------------------|-------|
| Capacity (Btu/h) | 9,000 |
| SEER | 28 |
| EER | 16.4 |

SEER - Seasonal Energy Efficiency Ratio EER - Energy Efficiency Ratio

Heating:

| | |
|------------------|--------|
| Capacity (Btu/h) | 11,000 |
| HSPF | 12.0 |

HSPF - Heating Seasonal Performance Factor

Cooling Nominal Test Conditions:

Indoor: 80°F DB/67°F WB
Outdoor: 95°F DB/75°F WB

Heating Nominal Test Conditions:

Indoor: 70°F DB/60°F WB
Outdoor: 47°F DB/43°F WB

Electrical:

Outdoor Unit:

| | |
|------------------------|--------------|
| Power Supply (V/Hz/Ø) | 208-230/60/1 |
| MOP (A) | 15.0 |
| MCA (A) | 10.0 |
| Cooling Rated Amps (A) | 8.24 |
| Heating Rated Amps (A) | 8.64 |
| Compressor (A) | 7.6 |
| Fan Motor (A) | 1.04 |

MOP - Maximum Overcurrent Protection MCA - Minimum Circuit Ampacity

Indoor Unit:

| | |
|--------------------------|--------------|
| Power Supply (V/Hz/Ø) | 208-230/60/1 |
| Cooling Power Input (kW) | 0.55 |
| Heating Power Input (kW) | 0.74 |

Piping:

| | |
|--|------|
| Liquid Line (in, OD) | 1/4 |
| Vapor Line (in, OD) | 3/8 |
| Additional Refrigerant (oz/ft) | 0.22 |
| Max Pipe Length (ft) ¹ | 49 |
| Piping Length (no add'l refrigerant, ft) | 25 |
| Max Elevation (ft) | 33 |

Controls Features:

- 24-Hour on/off timer
- Chaos wind
- Jet cool/Jet heat
- 4-Way auto swing
- Condensate sensor connection
- Self cleaning indoor coil
- Auto changeover
- Defrost control
- Self diagnosis
- Auto restart
- Dehumidifying mode
- Sleep mode
- Built-in low ambient operation to 14°F
- Hot start
- Soft dry operation
- Ultra quiet operation

Optional Accessories (sold separately)

- 7-Day Programmable Controller (Black) - PQRCVSL0
- 7-Day Programmable Controller (White) - PQRCVSL0QW
- PI485 - PMNFP14A0

Operating Range:

Outdoor Unit:

| | |
|-----------------|--------|
| Cooling (°F DB) | 14-118 |
| Heating (°F WB) | 14-75 |

Indoor Unit:

| | |
|-----------------|-------|
| Cooling (°F DB) | 64-86 |
| Heating (°F DB) | 60-86 |

Unit Data:

| | |
|--|-------------|
| Refrigerant Type | R410A |
| Refrigerant Control | EEV |
| Refrigerant Charge (lbs) | 2.76 |
| ODU Sound Pressure (Max) ±3 dB(A) ² | 51 |
| IDU Sound Pressure (H/M/L/Sleep) ±3 dB(A) ² | 39/34/26/17 |
| ODU Net Unit Weight (lbs) | 95 |
| ODU Shipping Weight (lbs) | 100 |
| IDU Net Unit Weight | 26 |
| IDU Shipping Weight (lbs) | 29 |
| Heat Exchanger Coating | GoldFin™ |
| Communication Cable (No x AWG) ³ | 4 x 18 |

Fan:

| | |
|----------------------------------|---------------------------------------|
| ODU Type | Propeller |
| IDU Type | Cross Flow |
| Fan Speeds (Fan/Cooling/Heating) | 5/6/6 |
| Quantity (ODU + IDU) | 1 + 1 |
| Motor/Drive | Brushless Digitally Controlled/Direct |
| ODU Max Air Flow Rate (CFM) | 1,165 |
| IDU Air Flow H/M/L (CFM) | 512/406/300 |
| Dehumidification (pts/hr) | 3.3 |

Notes:

- 1.Piping lengths are equivalent.
- 2.Sound Pressure levels are tested in an anechoic chamber under ISO Standard 1996.
- 3.All communication cable to be minimum 18 American wire gage (AWG), 2-conductor, stranded, shielded and must comply with applicable local and national code.
- 4.See Engineering Manual for sensible and latent capacities.
- 5.Power wiring cable size must comply with the applicable local and national code.
- 6.The indoor unit comes with a dry helium charge.
- 7.This data is rated 0 ft above sea level, with 24.6 ft of refrigerant line and a 0 ft level difference between outdoor and indoor units.
- 8.Must follow installation instructions in the applicable LG installation manual.

Standard Features:

- Limited Five Year Compressor Warranty
- Limited Three Year Functional Parts Warranty



Job Name/Location:

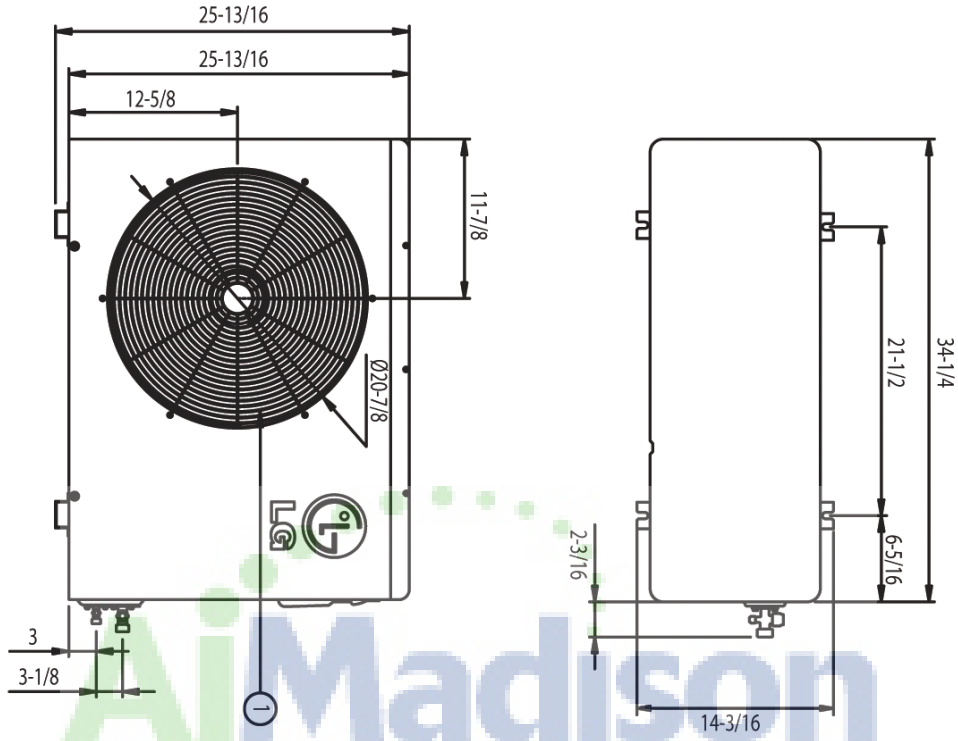
Outdoor Unit (ODU) - LSU090HYV
 ArtCool™ Premier Ultra Efficiency Single Zone Inverter



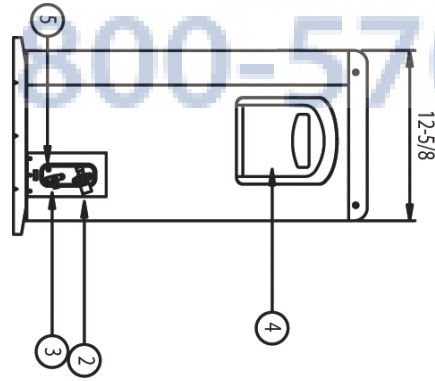
Tag #: _____

Date: _____

PO No.: _____



AjMadison
 Your Appliance Authority™
 800-570-3355



Unit: inch

| Item No. | Part Name | Remarks |
|----------|-----------------------------|---------|
| 1 | Air Discharge Grille | |
| 2 | Gas Pipe Connection Port | |
| 3 | Liquid Pipe Connection Port | |
| 4 | Control Box | |
| 5 | Earth Screw | |

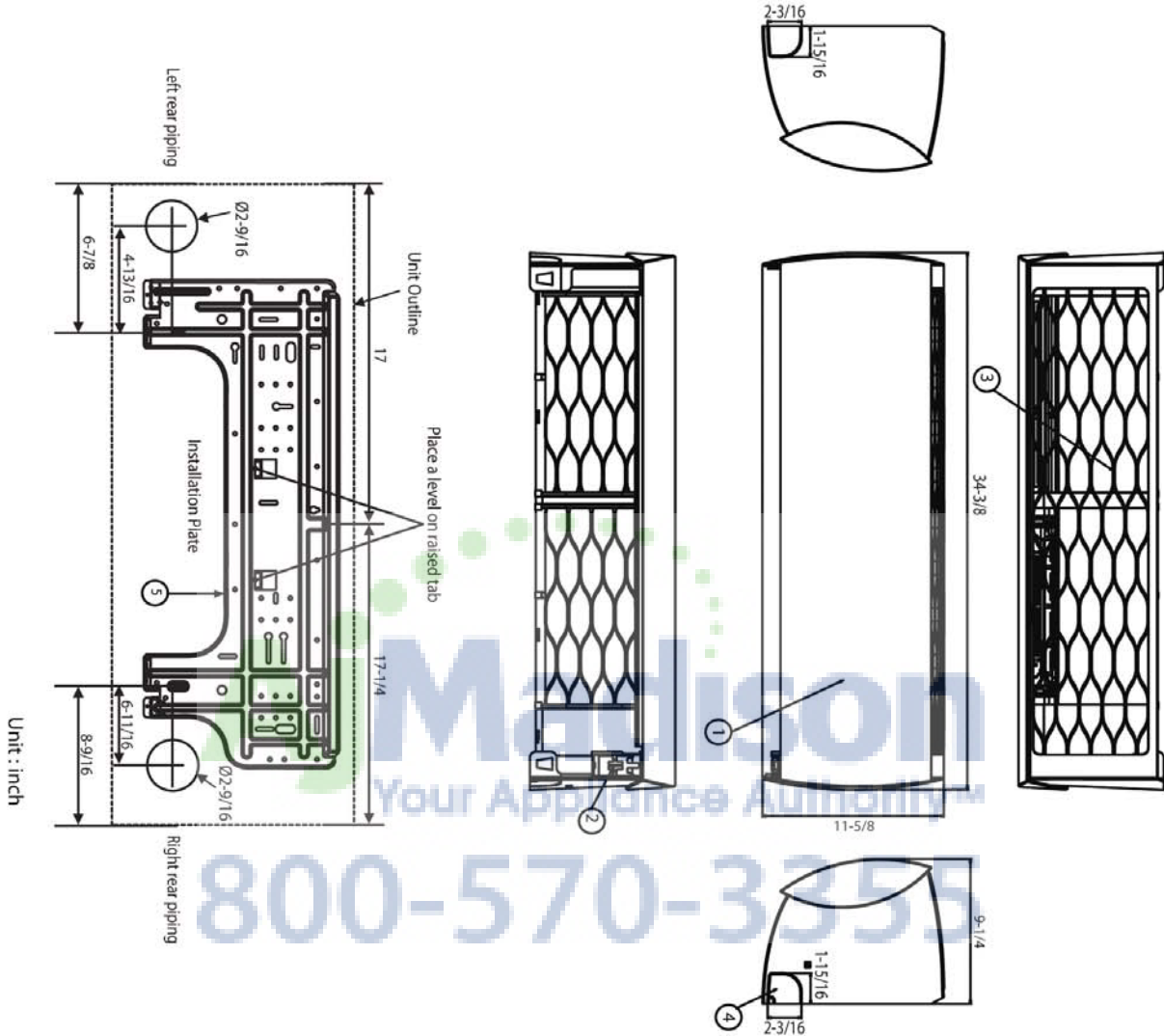
Indoor Unit (IDU) - LSN090HYV
 ArtCool™ Premier Ultra Efficiency Single Zone Inverter



Tag #: _____

Date: _____

PO No.: _____



| Item No | Part Name | Remarks |
|---------|---------------------------|--------------------|
| 1 | Front Panel | |
| 2 | Display & Signal Receiver | |
| 3 | Air Suction Grille | |
| 4 | Knockout hole | For pipe and cable |
| 5 | Installation Plate | |