



OWNER'S MANUAL

# REFRIGERATOR

ENGLISH

FRANÇAIS

ESPAÑOL

**Read this owner's manual thoroughly before operating the appliance and keep it handy for reference at all times.**

LRKNS1400V



MFL68980409  
Rev.01\_071520

[www.lg.com](http://www.lg.com)

Copyright © 2020 LG Electronics Inc. All Rights Reserved.

# TABLE OF CONTENTS

## **3 PRODUCT FEATURES**

---

## **4 SAFETY INSTRUCTIONS**

---

4 IMPORTANT SAFETY INSTRUCTIONS

## **8 PRODUCT SPECIFICATIONS**

---

## **9 PRODUCT OVERVIEW**

---

9 Exterior  
10 Interior  
11 Kimchi Storage Containers

## **12 INSTALLATION**

---

12 Installation Overview  
13 Unpacking the Refrigerator  
13 Choosing the Proper Location  
14 Removing/Assembling Doors and Drawers  
18 Leveling and Door Alignment  
18 Turning on the Power

## **19 OPERATION**

---

19 Before Use  
20 Control Panel  
29 Storing Food  
32 Left/Right Compartments  
33 CustomChill Drawers  
33 Adjusting the Refrigerator Shelves

## **34 SMART FUNCTIONS**

---

34 LG ThinQ Application  
37 Smart Diagnosis™ Feature

## **38 MAINTENANCE**

---

38 Cleaning

## **40 TROUBLESHOOTING**

---

40 Before Calling for Service

## **46 LIMITED WARRANTY**

---

# PRODUCT FEATURES

Depending on the model, some of the following functions may not be available.

## DOOR ALARM

The Door Alarm function is designed to prevent refrigerator malfunctioning that could occur if a refrigerator door or freezer drawer remains open. If a refrigerator door or freezer drawer is left open for more than 60 seconds, a warning alarm sounds at 30-second intervals.

## AUTO-CLOSING HINGE

The refrigerator doors and freezer drawers close automatically with a slight push. (The door only closes automatically when it is open at an angle less than 30°.)

## CUSTOMCHILL™ DRAWERS

The CustomChill™ drawers provide storage space with a variable temperature control that keeps the compartment either colder or warmer than the refrigerator. Use them to store meat and seafood, produce, rice or grain.

## CONVENIENT MULTIPURPOSE COMPARTMENTS

The temperatures of the drawers can be set for kimchi, produce, meat, fish, rice or grain. Use the left and right compartments at the top of the appliance to refrigerate fresh food or kimchi.

## FERMENT AND STORE KIMCHI IN ONE APPLIANCE

The separate compartments have individual temperature controls that can be set for either fermenting or storing kimchi.

## EASY-TO-USE KIMCHI CONTAINERS


The exclusive LOCK&LOCK kimchi containers are easy to use and airtight, to keep kimchi fresh for a long time.

# SAFETY INSTRUCTIONS

## ***READ ALL INSTRUCTIONS BEFORE USE***

### **Your safety and the safety of others are very important.**

We have provided many important safety messages in this manual and on your appliance. Always read and follow all safety messages.

 This is the safety alert symbol.  
This symbol alerts you to potential hazards that can kill or injure you and others.  
All safety messages will follow the safety alert symbol and either the word **WARNING** or **CAUTION**.

These words mean:

#### **WARNING**

You may be killed or seriously injured if you do not follow instructions.

#### **CAUTION**

You may be injured or cause damage to the product if you do not follow instructions.

All safety messages will tell you what the potential hazard is, tell you how to reduce the chance of injury, and tell you what may happen if the instructions are not followed.

## IMPORTANT SAFETY INSTRUCTIONS

### **WARNING**

**To reduce the risk of explosion, fire, death, electric shock, scalding or injury to persons when using this product, follow basic precautions, including the following:**

#### **INSTALLATION**

- To reduce the risk of injury to persons, adhere to all industry recommended safety procedures including the use of long-sleeved gloves and safety glasses.
- Never attempt to operate this appliance if it is damaged, malfunctioning, partially disassembled, or has missing or broken parts, including a damaged cord or plug.
- Only connect this product to a dedicated grounded electrical outlet rated for use with this product (115 V, 60 Hz, AC only). It is the user's responsibility to replace a standard 2-prong wall outlet with a standard 3-prong wall outlet.
- Do not use an outlet that can be turned off with a switch. Do not use an extension cord.
- The appliance must be positioned for easy access to a power source.
- When moving the refrigerator, be careful not to roll over or damage the power cord.
- Contact an authorized service center when installing or relocating the refrigerator.
- Do not, under any circumstances, cut or remove the third (ground) prong from the power cord.
- Keep packing materials out of the reach of children. Packaging material can be dangerous for children. There is a risk of suffocation.
- Do not install the refrigerator in a damp or dusty place where insulation on electrical parts may deteriorate.
- Do not place the refrigerator in direct sunlight or expose it to the heat from heating appliances such as stoves or heaters.
- Do not bend or pinch the power cord excessively or place heavy objects on it.



## OPERATION

- This appliance is intended to be used in household and similar applications such as:
  - staff kitchen areas in shops, offices and other working environments;
  - farm houses and by clients in hotels, motels and other residential type environments;
  - bed and breakfast type environments;
  - catering and similar non-retail applications.
- This product is not to be used for special purposes such as the storage of medicine or test materials or for use on ships, etc.
- DO NOT allow children to climb, stand, or hang on the refrigerator doors or on the shelves in the refrigerator. They could damage the refrigerator and seriously injure themselves.
- Do not allow children to climb into the refrigerator. They could be trapped and suffocated.
- Children should be supervised to ensure that they do not play with the refrigerator.
- Keep fingers out of pinch point areas; clearances between the doors and cabinets are necessarily small. Be careful closing doors when children are nearby.
- Do not touch frozen food or the metal parts in the freezer compartment with wet or damp hands. Doing so may cause frostbite.
- Do not refreeze frozen food that has thawed completely. Doing so may result in a serious health hazard.
- Do not use an adapter plug or plug the power plug into a multi-outlet extension cord.
- Do not use a cord that shows cracks or abrasion damage along its length or at either the plug or connector end. Immediately have all power cords that have become frayed or otherwise damaged repaired or replaced by qualified service personnel.
- Do not operate the refrigerator or touch the power cord with wet hands.
- Do not modify or extend the power cord.
- Do not use an uncertified power outlet. Do not plug appliance into a damaged wall outlet.
- Do not put hands, feet or other objects into the air vents or bottom of the refrigerator. Doing so could result in personal injury or electric shock.
- In the event of a gas leak (propane/LPG), ensure the area is adequately ventilated and contact an authorized service center before resuming use. Do not touch the refrigerator or power cord of the refrigerator.
- Disconnect the power cord immediately and contact an authorized service center if there is a strange noise, odor, or smoke coming from the appliance.
- Do not use any fuse (such as copper, steel wire, etc.) other than a standard fuse.
- Do not place or use an electrical appliance inside the refrigerator, unless it is of a type recommended by the manufacturer.
- Do not put live animals inside the appliance.
- Do not place heavy or fragile objects, liquid filled containers, combustible substances, or flammable objects (such as candles and lamps) on the appliance.
- If connected to a circuit protected by fuses, use time delay fuse.
- Keep ventilation openings, in the appliance enclosure or in the built-in structure, clear of obstruction.
- Do not use mechanical devices or other means to accelerate the defrosting process, other than those recommended by the manufacturer.
- Do not use electrical appliances inside the food storage compartments of the appliance, unless they are of the type recommended by the manufacturer.
- Do not store explosive substances such as aerosol cans with a flammable propellant in this appliance.

## MAINTENANCE

- Do not use a hair dryer to dry the inside of the refrigerator.
- Do not light a candle to remove odors in the refrigerator.
- In the event of a refrigerant leak, move flammable objects away from the refrigerator. Ensure the area is adequately ventilated and contact an authorized service center.
- Keep flammable materials and vapors, such as gasoline, away from the refrigerator.
- This appliance can be used by children aged from 8 years and above and persons with reduced physical, sensory or mental capabilities or lack of experience and knowledge if they have been given supervision or instruction concerning use of the appliance in a safe way and understand the hazards involved. Children must not play with the appliance. Cleaning and user maintenance must not be performed by children without supervision.
- Unplug the power plug before cleaning or repairing the refrigerator.
- The refrigerator and freezer compartment lights are interior LED lighting, and service should be performed by a qualified technician.
- Unplug the power plug immediately in the event of a blackout or thunderstorm.
- Turn the power off if water or dust penetrates into the refrigerator. Call a service agent.
- Do not store, disassemble or repair the appliance yourself or allow unqualified personnel to do so.

## DISPOSAL

- Junked or abandoned refrigerators are dangerous, even if they are sitting for only a few days. When disposing of the refrigerator, remove the packing materials from the door or take off the doors but leave the shelves in place so that children may not easily climb inside.
- If disposing of a refrigerator, make sure the refrigerant is removed for proper disposal by a qualified servicer. If you release the refrigerant, you may be fined or imprisoned in accordance with the relevant environmental law. Insulation foam contains flammable blowing gas.
- When discarding the appliance, remove the door gasket while leaving the shelves and bins in place, and keep children away from the appliance.

## GROUNDING INSTRUCTIONS

- Improper connection of the equipment-grounding conductor can result in a risk of electric shock. Check with a qualified electrician or service personnel if you are in doubt whether the appliance is properly grounded. Do not modify the plug provided with the appliance; if it will not fit the outlet, have a proper outlet installed by a qualified electrician.
- Have a qualified electrician check the wall outlet and wiring for proper grounding.
- Never unplug the appliance by pulling on the power cord. Always grip the plug firmly and pull straight out from the outlet. Failure to do so may damage the power cord, resulting in a risk of fire and electric shock.

## RISK OF FIRE AND FLAMMABLE MATERIALS



This appliance contains a small amount of isobutane refrigerant (R600a), which is combustible. When transporting and installing the appliance, care should be taken to ensure that no parts of the refrigerating circuit are damaged. Refrigerant squirting out of the pipes could ignite or cause an eye injury. If a leak is detected, avoid any naked flames or potential sources of ignition and air out the room in which the appliance is standing for several minutes.

In order to avoid the creation of a flammable gas air mixture if a leak in the refrigerating circuit occurs, the size of the room in which the appliance may be sited depends on the amount of refrigerant used. The room must be 10.8 square feet (1 square meter) in size for every 8g of R600a refrigerant inside the appliance. The amount of refrigerant in your particular appliance is shown on the identification plate inside the appliance. Never start up an appliance showing any signs of damage. If in doubt, consult your dealer.

**⚠ CAUTION**

**To reduce the risk of minor or moderate injury to persons, malfunction, or damage to the product or property when using this product, follow basic precautions, including the following:**

**INSTALLATION**

- Do not install the refrigerator where there may be a danger of the unit falling.
- The refrigerator must be properly installed in accordance with the Installation Instructions.

**OPERATION**

- Do not use aerosols near the refrigerator.
- This appliance is intended to be used only in domestic and similar applications.
- Do not strike or apply excessive force to any glass surface. Do not touch glass surfaces if they are cracked or broken.
- Do not overfill or pack items too tightly into door bins. Doing so may cause damage to the bin or personal injury if items are removed with excessive force.
- Do not overfill the appliance with food. Doing so may cause personal injury or property damage.

**MAINTENANCE**

- Do not use strong detergents like wax or thinners for cleaning. Clean with a soft cloth.
- Remove foreign objects (such as dust and water) off the prongs of the power plug and contact areas. Do not use a wet or damp cloth when cleaning the plug.
- Do not spray water directly on the inside or outside of the refrigerator.
- Do not clean glass shelves or covers with warm water when they are cold. They may break if exposed to sudden temperature changes.

**SAVE THESE INSTRUCTIONS**

# PRODUCT SPECIFICATIONS

The appearance and specifications listed in this manual may vary due to constant product improvements.

**Electrical requirements:** 115 V, 60 Hz

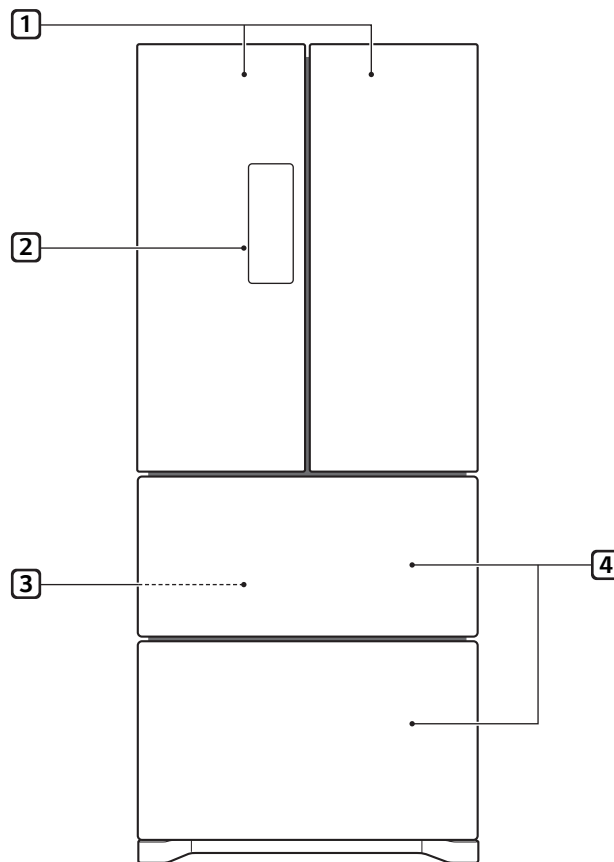
<b>Model LRKNS1400V</b>	
<b>Description</b>	Refrigerator
<b>Net weight</b>	266 lb (121 kg)

# PRODUCT OVERVIEW

The images in this guide may be different from the actual components and accessories, which are subject to change by the manufacturer without prior notice for product improvement purposes.

ENGLISH

## Exterior



### 1 Left and right compartments

Refrigerate fresh food or store kimchi. See page 28 for more information on using the left and right compartments.

- Kimchi containers for left and right compartments only included on some models.
- Frost proof covers for left and right compartments only included on some models.

### 2 Control panel

Set controls using temperature or food type.

- Appearance and design of display and drawer fronts varies by model.

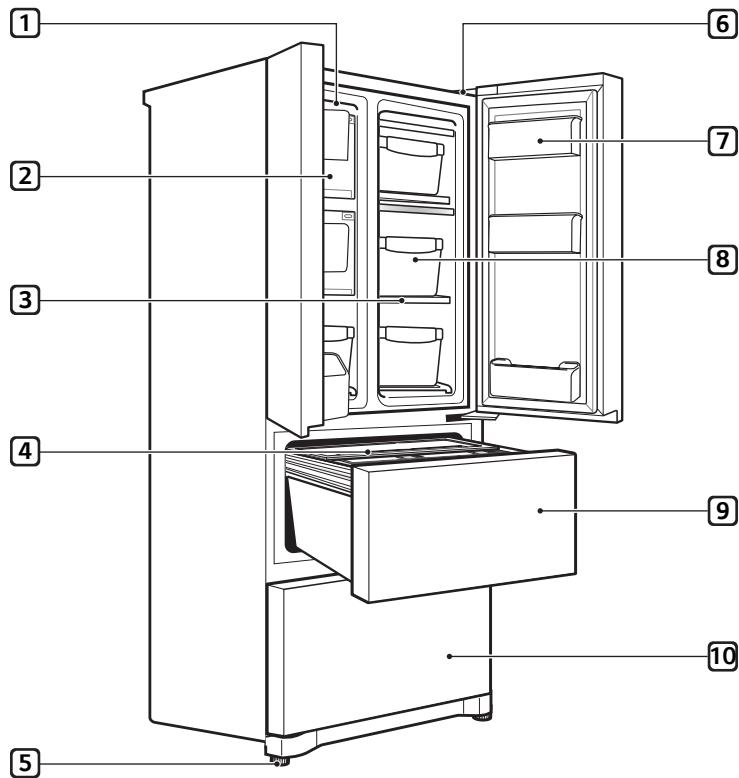
### 3 Middle/bottom drawer switch

Detects the opening/closing of the middle/bottom drawers.

- An alarm sounds if the drawer is not completely closed.
- The door sensor is tilted to accommodate the different locations of the middle and lower drawers.

### 4 CustomChill™ drawers

## Interior



**1 Left and right compartment LED lighting**

Lights up when doors are opened.

**2 Flip-up cover**

**3 Shelf**

**4 Drawer bin**

Designed to hold kimchi containers.

**5 Leveling leg**

Adjust screw to level appliance after moving or installing

**6 Smart Diagnosis™**

Troubleshoots issues based on usage patterns.

- See Using Smart Functions section for details..

**7 Door bin**

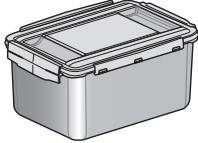
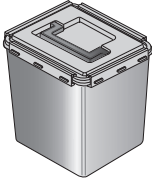
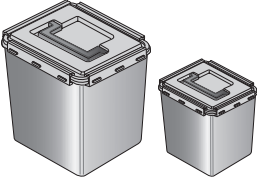
**8 Kimchi container**

Place food in the kimchi container and close securely before storing.

**9 Middle compartment**

**10 Bottom compartment**

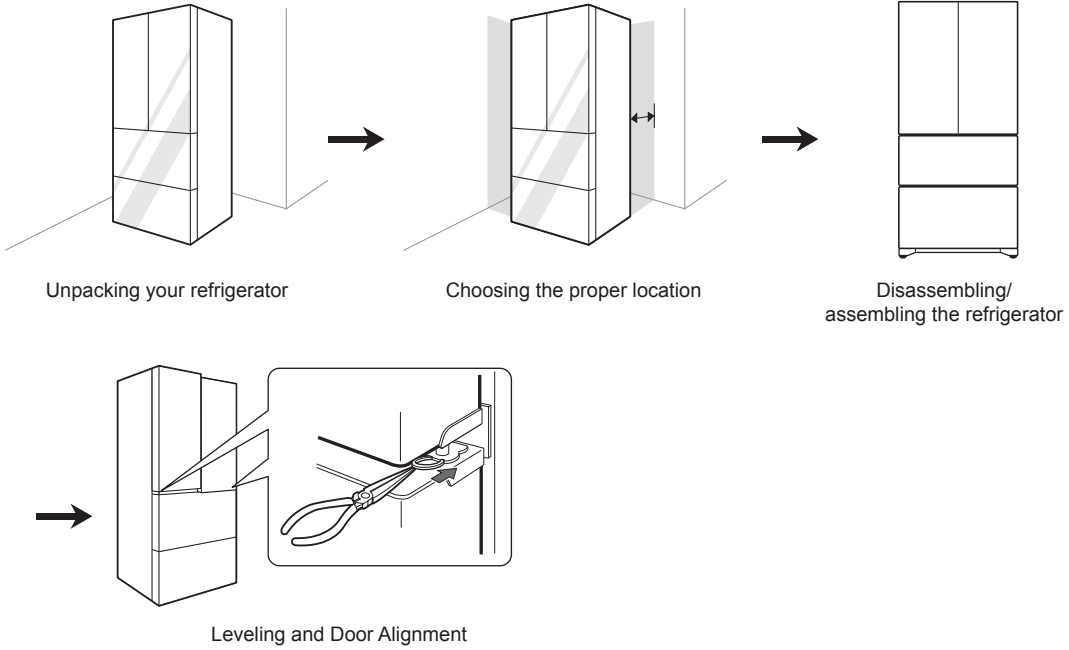
## Kimchi Storage Containers

Kimchi storage container	Container	Capacity
<b>Left/Right compartments</b>		AKC67523411: 6ea 2.3 gal (8.8 L)
<b>Middle compartment</b>		AKC67523717: 4ea 3 gal (11.5 L)
<b>Bottom compartment</b>		AKC67523717: 2ea AKC67523718: 2ea 3 gal (11.5 L) 1.8 gal (6.7 L)

# INSTALLATION

## Installation Overview

Please read the following installation instructions first after purchasing this product or transporting it to another location.





## Unpacking the Refrigerator

### **⚠ WARNING**

- Use two or more people to move and install the refrigerator. Failure to do so can result in back injury or other injury.
- The refrigerator is heavy. Protect the floor when moving the refrigerator for cleaning or service. Always pull the refrigerator straight out when moving it. Do not wiggle or walk the refrigerator when trying to move it, as floor damage could occur.
- Keep flammable materials and vapors, such as gasoline, away from the refrigerator. Failure to do so can result in fire, explosion, or death.

### **NOTE**

- Remove tape and any temporary labels from your refrigerator before using. Do not remove any warning labels, the model and serial number label, or the Tech Sheet that is located under the front of the refrigerator.
- To remove any remaining tape or glue, rub the area briskly with your thumb. Tape or glue residue can also be easily removed by rubbing a small amount of liquid dish soap over the adhesive with your fingers. Wipe with warm water and dry.
- Do not use sharp instruments, rubbing alcohol, flammable fluids, or abrasive cleaners to remove tape or glue. These products can damage the surface of your refrigerator.
- Reinstall or adjust shelves as needed. Refrigerator shelves are installed in the shipping position. Reinstall shelves according to your individual storage needs.

## Choosing the Proper Location

### Electricity

Use an individual, grounded outlet: 115 Volts, 60 Hz, AC, 15 Amps minimum.

### **⚠ WARNING**

- Do not overload house wiring and cause a fire hazard by plugging in multiple appliances in the same outlet with the refrigerator.
- To reduce the risk of electric shock, do not install the refrigerator in a wet or damp area.

### Flooring

To avoid noise and vibration, the unit must be installed and leveled on a solidly constructed floor. If required, adjust the leveling legs to compensate for the unevenness of the floor.

### **NOTE**

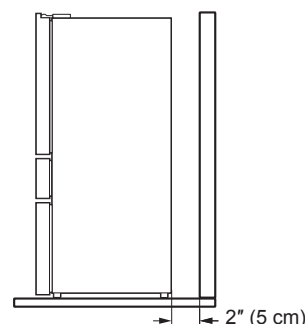
- Installing on carpeting, soft tile surfaces, a platform or weakly supported structure is not recommended.

### Ambient Temperature

Install this appliance in an area where the temperature is between 55 °F (13 °C) and 110 °F (43 °C).

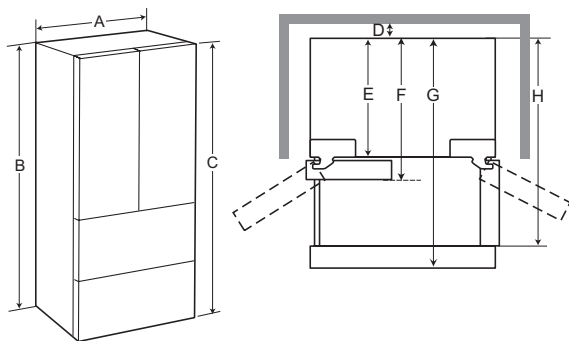
If the temperature around the appliance is too low or high, cooling ability may be adversely affected.

- 1 Place your appliance where it is easy to use.
- 2 Avoid placing the unit near heat sources, direct sunlight or moisture.
- 3 To ensure proper air circulation around the refrigerator, allow for space at both sides and at the top. Allow for 2 inches (5 cm) of clearance from the rear wall of the enclosure.
- 4 To avoid excessive vibration, the appliance must be leveled.
- 5 Don't install the appliance in a location where the temperature falls below 41°F (5°C). Doing so may affect product performance.



### Dimensions and Clearances

- Check the dimensions of the appliance and the installation path to ensure there is sufficient room to move the refrigerator through doors or narrow openings.
- If an opening is too narrow to fit the refrigerator through, remove the refrigerator doors. See Removing/Assembling the Doors and Drawers in this manual.
- The installation location chosen for the refrigerator should allow space behind the unit for connections and airflow and space in front to open the doors and drawers.
- Too small of a distance from adjacent items may result in lowered freezing capability and increased electricity consumption charges. Allow at least 22.6 inches (575 mm) in front of the refrigerator to open the doors, and at least 2 inches (50.8 mm) between the back of the refrigerator and the wall.



-	Dimensions/ Clearances	LRKNS1400V
A	Width	29 1/2" (750 mm)
B	Height to Top of Case	70" (1756 mm)
C	Height	70 3/4" (1797 mm)
D	Back Clearance	2" (50 mm)
E	Depth without Door	26 7/8" (682 mm)
F	Depth	31 1/2" (801 mm)
G	Depth (Total with Drawer Open)	49 1/2" (1259 mm)
H	Depth (Total with Door Open 90°)	44 5/8" (1134 mm)

### Removing/Assembling Doors and Drawers

If the entrance door is too narrow for the refrigerator to pass through, remove the refrigerator doors and move the refrigerator sideways through the doorway.

#### ! WARNING

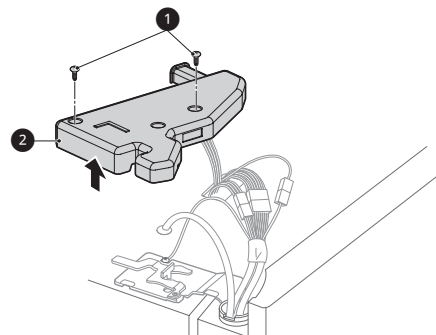
- Use two or more people to remove and install the refrigerator doors and freezer drawer.
- Disconnect the electrical supply to the refrigerator before installing.
- Do not put hands, feet or other objects into the air vents or bottom of the refrigerator.
- Be careful when handling the hinge and hinge lever.
- Remove food and bins before detaching the doors and drawer.
- Do not hold the handle when removing or replacing the doors and drawer as the handle may come off.

#### Tools Needed

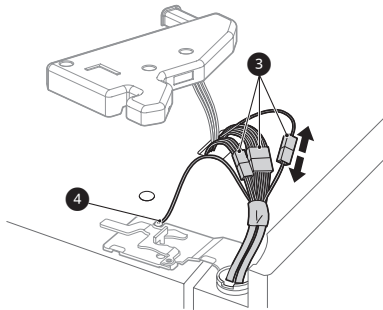
- 3/32 in. Allen wrench
- 1/8 in. Allen wrench
- 1/4 in. Allen wrench

### Removing the Left Refrigerator Door

- 1 Remove the screw ① from the hinge cover at the top of the refrigerator. Lift the hook (not visible), located at the bottom of the front side of the cover ② with a flat-head screwdriver.



- Remove the cover. Disconnect all wire harnesses ③. Unscrew the ground wire ④.



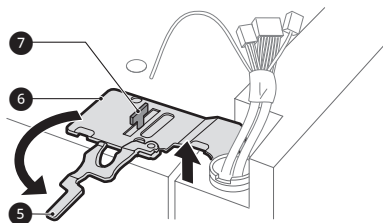
**NOTE**

- The number of wire harnesses may vary depending on the model.

- Rotate the hinge lever ⑤ counterclockwise. Lift the top hinge ⑥ free of the hinge lever latch ⑦.

**CAUTION**

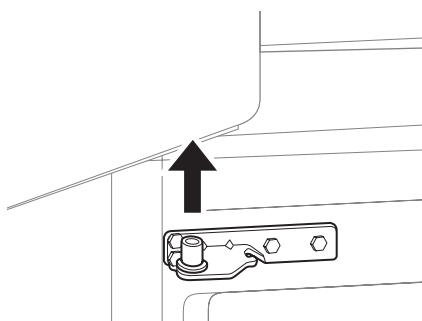
- When lifting the hinge free of the latch, be careful that the door does not fall forward.



- Lift the door from the middle hinge pin and remove the door.

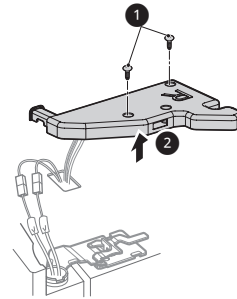
**CAUTION**

- Place the door, inside facing up, on a nonscratching surface.

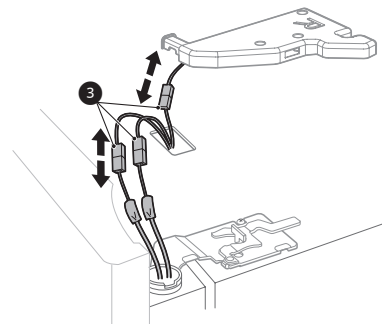


**Removing the Right Refrigerator Door**

- Remove the top hinge cover screw ①. Lift the hook (not visible), located at the bottom of the front side of the cover ②, with a flat-head screwdriver.



- Detach all the wire harnesses ③.



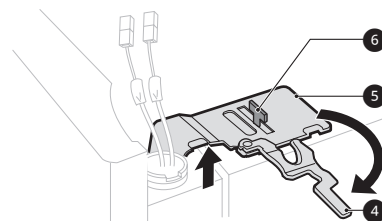
**NOTE**

- The number of wire harnesses may vary depending on the model.

- Rotate the hinge lever ④ clockwise. Lift the top hinge ⑤ free of the hinge lever latch ⑥.

**CAUTION**

- When lifting the hinge free of the latch, be careful that the door does not fall forward.

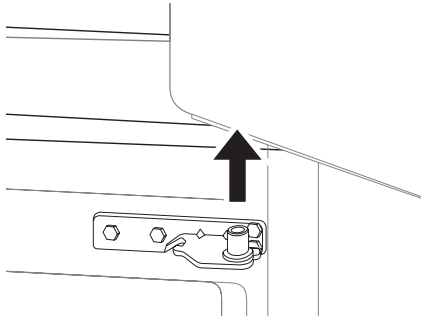


## 16 INSTALLATION

- 4 Lift the door from the middle hinge pin and remove the door.

### **CAUTION**

- Place the door, inside facing up, on a nonscratching surface.

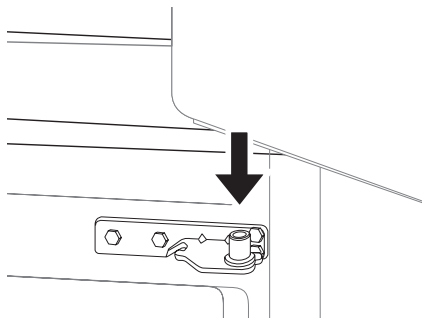


### Assembling the Right Refrigerator Door

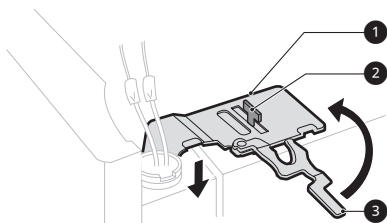
### **CAUTION**

- Install the right-side door first.

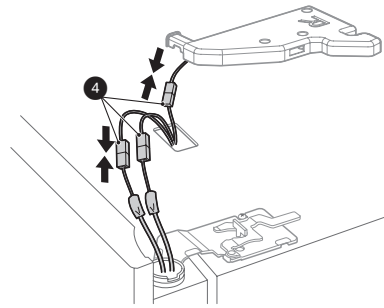
- 1 Make sure that the plastic sleeve is inserted in the bottom of the door. Lower the door onto the middle hinge pin as shown in the figure.



- 2 Fit the hinge **1** over the hinge lever latch **2** and slot it into place. Rotate the lever **3** counterclockwise to secure the hinge.



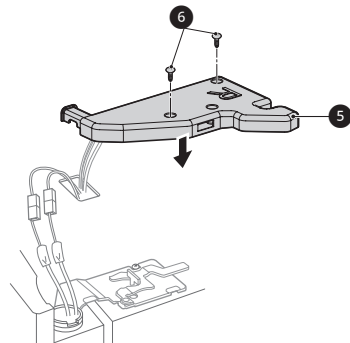
- 3 Connect the wire harnesses **4**.



### NOTE

- The number of wire harnesses may vary depending on the model.

- 4 Set the hinge cover **5** in place. Insert and tighten the cover screw **6**.

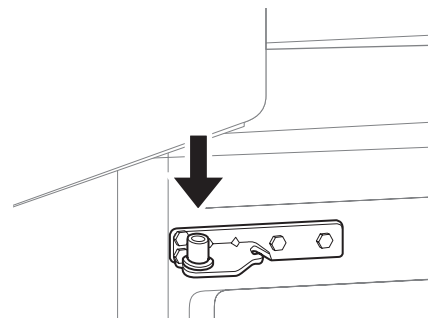


### Assembling the Left Refrigerator Door

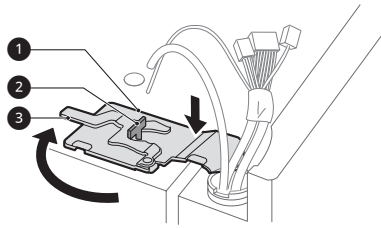
### **CAUTION**

- Install the left refrigerator door after the right door is installed.

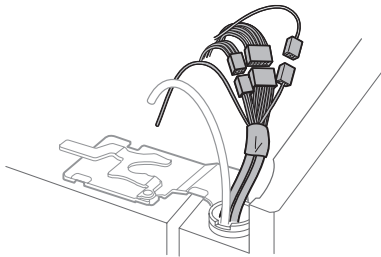
- 1 Make sure that the plastic sleeve is inserted in the bottom of the door. Install the refrigerator door onto the middle hinge.



- 2 Fit the hinge ① over the hinge lever latch ② and slot it into place. Rotate the lever ③ clockwise and fasten the hinge.



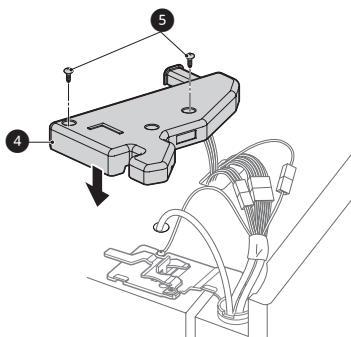
- 3 Connect all the wire harnesses and the ground screw.



**NOTE**

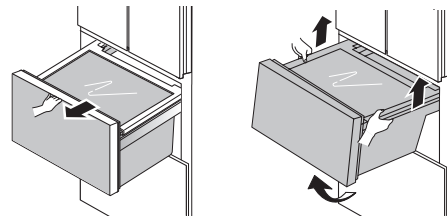
- The number of wire harnesses may vary depending on the model.

- 4 Set the cover ④ in place. Insert and tighten the cover screw ⑤.



**CustomChill Drawer Disassembly**

- 1 Open the drawer completely.
- 2 Lift up the drawer and basket assembly slightly until it clears the rail safety stops and pull it forward until it stops.
- 3 Lift the basket and drawer assembly to remove it.

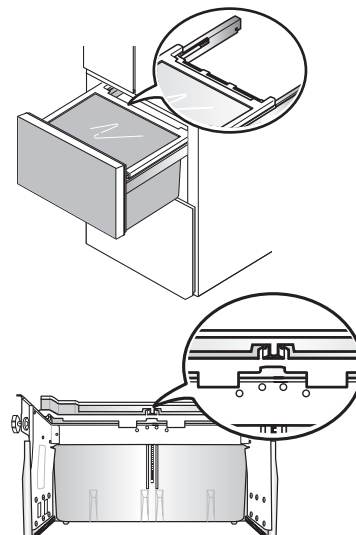


To reassemble the drawer, align it with the rails and insert it until it stops, lift it to clear the safety rail stops and push it in completely.

- Open the left and right doors before removing or assembling the middle drawer.
- The baskets cannot be removed separately from the lower or middle drawer. The entire basket and drawer assembly must be removed together.

**CAUTION**

- Take care when removing the lower drawer to avoid injuring your feet.
- The basket and drawer assemblies are heavy. Empty contents before removing or assembling drawers and use proper lifting techniques to avoid injury.



## Leveling and Door Alignment

Aligning the doors may not be possible if the floor is not level, or is of weak or poor construction. The refrigerator is heavy and should be installed on a rigid and solid surface.

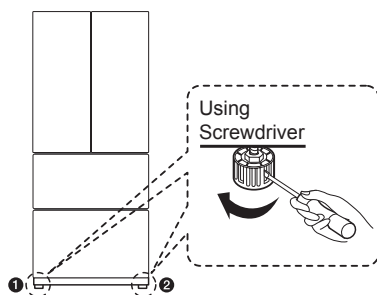
Wood flooring may cause leveling difficulties if it flexes excessively.

### Leveling

- If the floor is uneven, level the refrigerator to avoid noise and vibration.

#### **CAUTION**

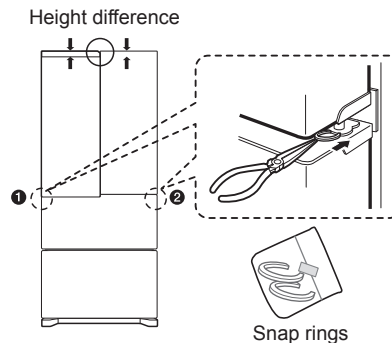
- Adjust the front leveling feet so they are lower than the wheels. The weight of the refrigerator must rest on the feet, not the wheels, to avoid risk of movement or tipover.



To level the refrigerator, use a screwdriver to turn the leveling feet until they are in firm contact with the floor. The front of the refrigerator can be slightly higher than the rear to make shutting the doors easier.

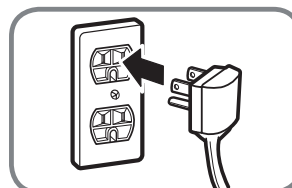
## Door Alignment

- If the left side door is lower, adjust the hinge on the left ①.
- If the right side door is lower, adjust the hinge on the right ②.
- Snap rings are provided with this unit. Open the door and lift it from the bottom. Insert snap ring(s) as shown until the doors are aligned.



## Turning on the Power

- After installing, plug the refrigerator's power cord into a 3-prong grounded outlet and push the refrigerator into the final position.



#### **CAUTION**

- Connect to a rated power outlet.
- Have a certified electrician check the wall outlet and wiring for proper grounding.
- Do not damage or cut off the ground terminal of the power plug.

# OPERATION

## Before Use



### Clean the refrigerator.

Clean the refrigerator thoroughly and wipe off all dust that accumulated during shipping.

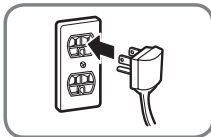
### CAUTION

- Do not scratch the refrigerator with a sharp object or use a detergent that contains alcohol, a flammable liquid or an abrasive when removing any tape or adhesive from the refrigerator. Remove adhesive residue by wiping it off with your thumb or dish detergent.
- Do not peel off the model or serial number label or the technical information on the rear surface of the refrigerator.



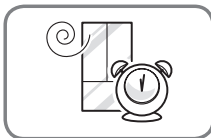
### Open refrigerator doors and freezer drawers to ventilate the interior.

The inside of the refrigerator may smell like plastic at first. Remove any adhesive tape from inside the refrigerator and open the refrigerator doors and the drawers for ventilation.



### Connect the power supply.

Check if the power supply is connected before use.

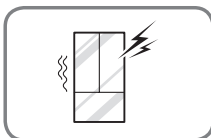


### Wait for the refrigerator to cool.

Allow the refrigerator to run for at least two to three hours before putting food in it. Check the flow of cold air in the compartment to ensure proper cooling.

### CAUTION

- Putting food in the refrigerator before it has cooled could cause the food to spoil, or a bad odor to remain inside the refrigerator.

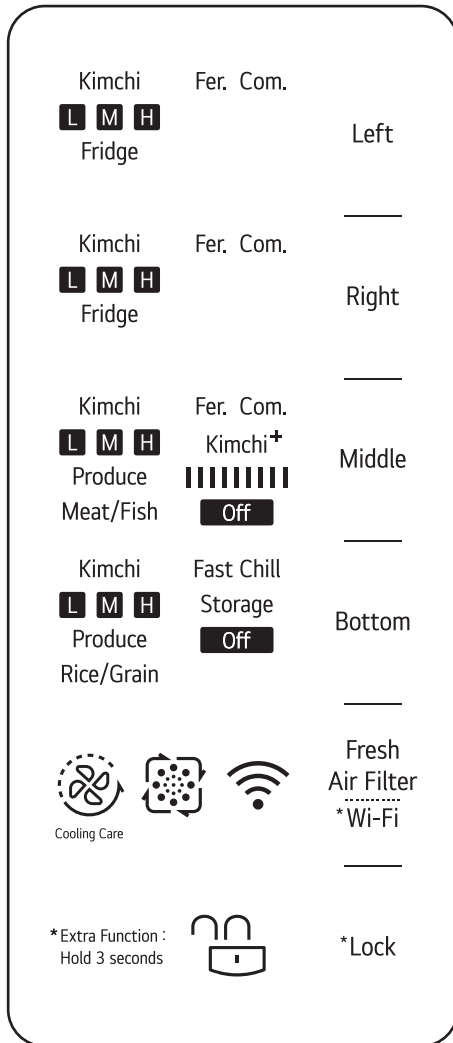


### The refrigerator makes a loud noise after initial operation.



This is normal. The volume will decrease as the temperature decreases.

## Control Panel


### Control Panel Features



### Using the Touch Buttons

- The touch panel operates in response to static electricity when it senses a body or a capacitive object nearby.
- To operate the buttons, touch the center of the text on each button with a fingertip.
- Either the Lock  or Unlock  icon appears in the display at all times.
- The buttons may activate unexpectedly if they come into contact with your skin during cleaning or at other times.
- If the control panel is dirty or you are wearing gloves, the buttons may not activate properly.
- When the refrigerator is connected to power, the display automatically turns on.

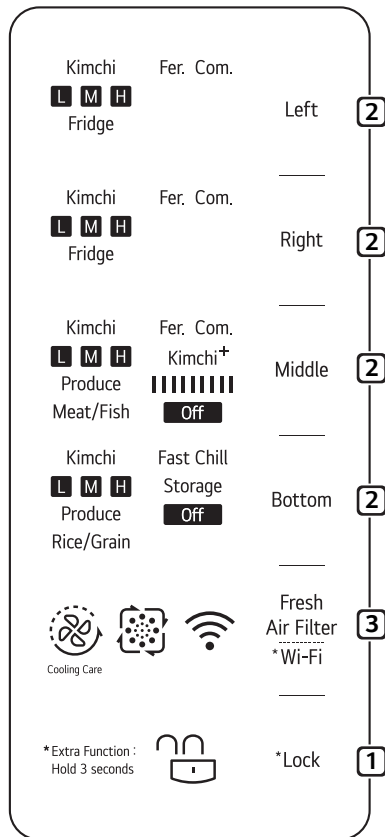
#### NOTE

- Depending on the model, the appearance of the display and the middle/bottom compartment doors may vary.
- After 60 seconds of idle time, all lights on the display except the Lock icon  are turned off to save power. This is normal operation. Press any button to wake the display and show current settings.



Before storing or fermenting kimchi, use this section to become more familiar with the parts and functions of the control panel.

Before using the LG kimchi refrigerator, press and hold the Lock/Unlock button for 3 seconds to unlock the display.



### 1 The Lock function prevents children or others from accidentally changing settings.

- Before changing settings, press and hold Lock for 3 seconds to unlock the display.
- After changing settings, press and hold Lock for 3 seconds to lock the display and prevent accidental changes.

#### NOTE

- The Lock function locks all display functions except for the Lock button. If a button is pressed, the Lock/Unlock icon will blink 3 times.
- The Lock function is automatically turned on after 60 seconds if the control panel remains idle.

### 2 Press to set the mode or temperature for each compartment.

- Available settings for left and right compartments: **Kimchi, Fridge, or Fer.**
- Available settings for middle compartment: **Kimchi, Produce, Meat/Fish, Kimchi+, Fer., or Off**
- Available settings for bottom compartment: **Kimchi, Produce, Rice/Grain, Storage, Fast Chill, or Off**

#### NOTE

- Select settings based on food items being stored. (Refer to the Storing Kimchi section on page 22 for detailed instructions.)

### 3 Press to set the Fresh Air Filter mode. Press and hold to connect to Wi-Fi.

#### NOTE

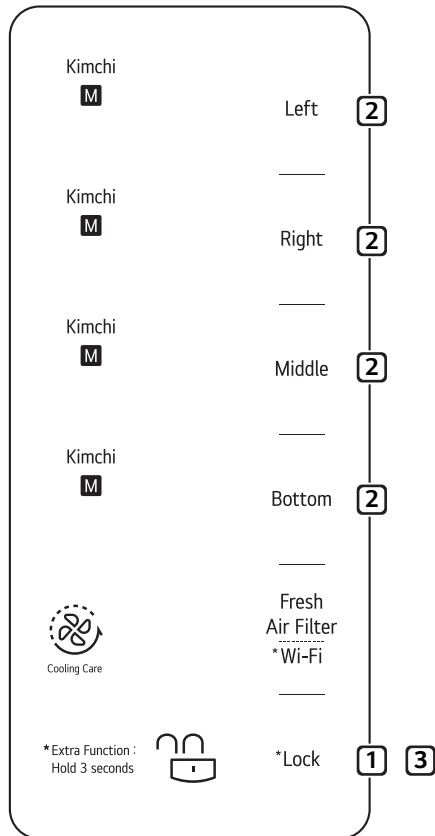
- Before using functions, you must press and hold the Lock button for 3 seconds to unlock the display. Place items for storage in any compartment, and ferment kimchi in the left, right, or middle compartments.
  - To ferment kimchi in the middle compartment, place the kimchi in the middle drawer and touch the Middle button repeatedly to select the Fermenting setting.

## Storing Kimchi (All Compartments)

### Kimchi Storage Tips

Kimchi can be made with many different ingredients.

The optimal storage temperature for kimchi depends on the main ingredients as well as the seasonings used. Use the Low setting for kimchi with a high water content. Use the Strong setting for very salty or highly seasoned kimchi.



#### 1 Unlock the display.

- Press and hold the **Lock** button for approximately 3 seconds to unlock the display. The display must be unlocked before settings can be changed.

#### 2 Press the Left, Right, Middle, or Bottom button to change settings for each compartment.

- Press each button repeatedly to cycle through the settings for that compartment.
- As the buttons are pressed, the settings change in the order shown.

#### Left and Right Compartments

Kimchi: M → H → L ➡ Fridge: M → H → L  
 ➡ Fer.

#### Middle Compartment

Kimchi: M → H → L ➡ Produce: M → H → L  
 ➡ Meat/Fish ➡ Kimchi+ ➡ Fer. ➡ Off

#### Bottom Compartment

Kimchi: M → H → L ➡ Produce: M → H → L  
 ➡ Rice/Grain ➡ Storage ➡ Fast Chill ➡ Off

- Select the appropriate temperature for the type and salinity of kimchi.
- L=Low Cooling (cold)  
 M=Medium Cooling (colder)  
 H=High Cooling (coldest)

#### 3 Press the Lock button to lock the display and begin kimchi storage.

## Fermenting Kimchi (Left/Right/Middle Compartment)

### NOTE

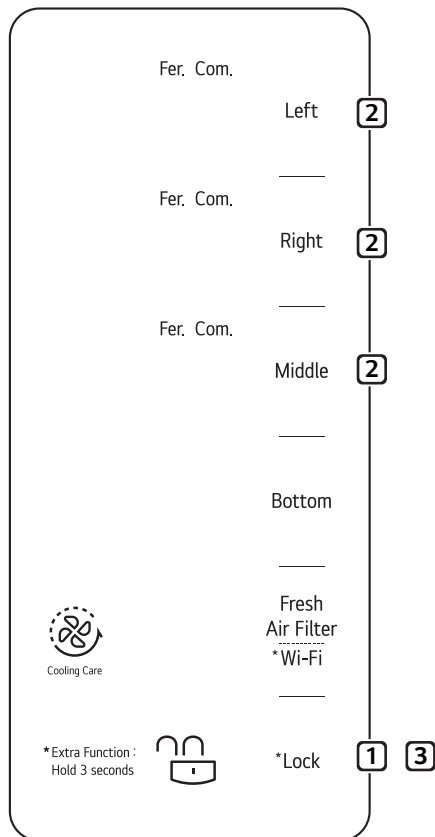
- Kimchi ferments more quickly at the Fermentation setting than at the Storage setting.

### Fermenting

The refrigerator senses the external temperature and automatically adjusts the fermentation settings seasonally for best results.

### Fermentation Complete Indicator

Once fermentation is complete, the Fer. Com. indicator lights in the display. The fermentation time varies depending on season, room temperature, and the set temperature of the kimchi (low/medium/high).



### 1 Unlock the display.

- Press and hold the **Lock** button for approximately 3 seconds to unlock the display. The display must be unlocked before settings can be changed.

### 2 Press the desired compartment button to select Fermentation.

- Press Left, Right, or Middle repeatedly to select the Fermentation setting.

### 3 Press the Lock button to lock the display and begin kimchi fermentation.

### Canceling Fermentation

To cancel fermentation, unlock the display and press the compartment button to change the setting.

### Storing Fermented Kimchi

When fermentation is complete, the "Fer. Com." indicator lights up and "Kimchi M" appears in the temperature display.

Press the Lock button to turn off the indicator and change the setting.

## Refrigerating Food (Left/Right Compartment)

- Only the Left and Right compartments can be used for refrigeration.

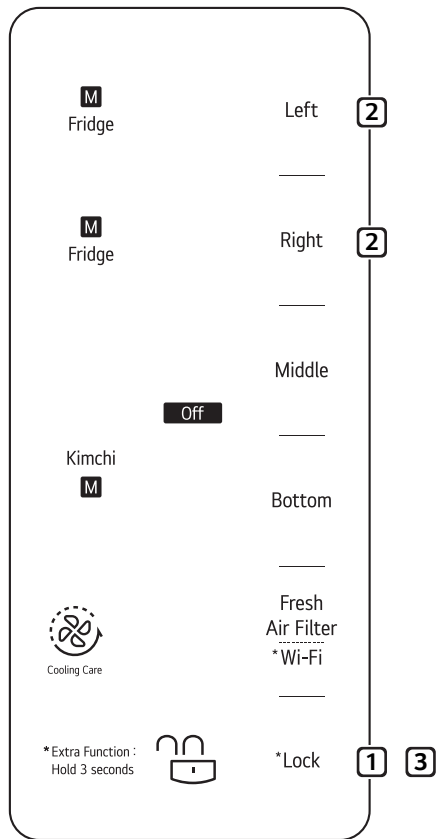
### NOTE

- If kimchi is stored at the Fridge setting, it may ferment too quickly.

### Storing Other Food

After storing kimchi, the odor may linger inside of the refrigerator compartments.

Clean the compartments before using them to store other food. See the **Maintenance** section for instructions.



### 1 Unlock the display.

- Press and hold the **Lock** button for approximately 3 seconds to unlock the display. The display must be unlocked before settings can be changed.

### 2 Press Left or Right repeatedly to cycle through the settings for that compartment.

- Press each button repeatedly to select **Fridge**.
- As the buttons are pressed, the settings change in the order shown.

#### Left and Right Compartments

Kimchi: M → H → L ➡ Fridge: M → H → L ➡ Fer.

- L=Low Cooling (cold)
- M=Medium Cooling (colder)
- H=High Cooling (coldest)

### 3 Press Lock to lock the display and begin Refrigeration.

## Extended Food Storage Settings (Middle/Bottom Compartments)

- This setting is only available on the middle and bottom compartments.

### Produce

- Use to keep vegetables and fruit fresh for a long time.

### Meat/Fish

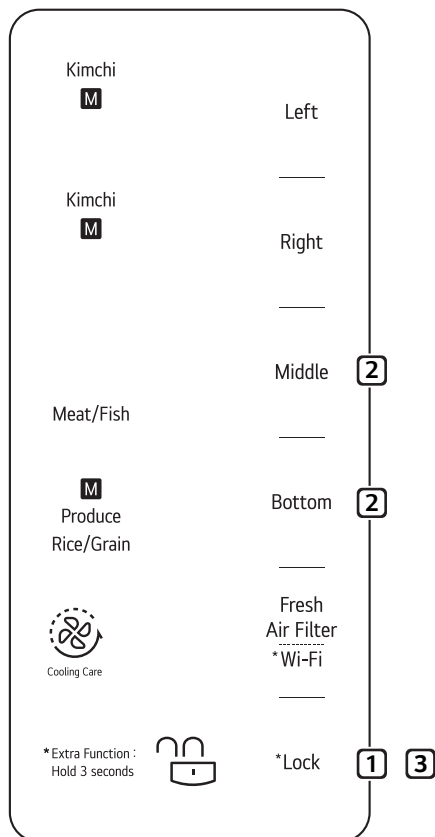
- Use to keep meat and fish fresh.

### Rice/Grain

- Use to keep rice and grain fresh.

### NOTE

- If kimchi is stored at the Meat/Fish setting, it may freeze.



### 1 Unlock the display.

- Press and hold the **Lock** button for approximately 3 seconds to unlock the display. The display must be unlocked before settings can be changed.

### 2 Press the Middle or Bottom button to change settings for each compartment.

- Press each button repeatedly to select the desired setting.
- As the buttons are pressed, the settings change in the order shown.

#### Middle Compartment

Kimchi: M → H → L ➡ Produce: M → H → L  
 ➡ Meat/Fish ➡ Kimchi+ ➡ Fer. ➡ Off

- The Meat/Fish setting freezes meat or fish slightly in order to extend the storage time.

#### Bottom Compartment

Kimchi: M → H → L ➡ Produce: M → H → L  
 ➡ Rice/Grain ➡ Storage ➡ Fast Chill ➡ Off

- Select the appropriate temperature for the type of food being stored.
- L=Low Cooling (cold)  
 M=Medium Cooling (colder)  
 H=High Cooling (coldest)

### 3 Press Lock to lock the display and begin food storage.

- When the Lock icon  lights up, storage begins.

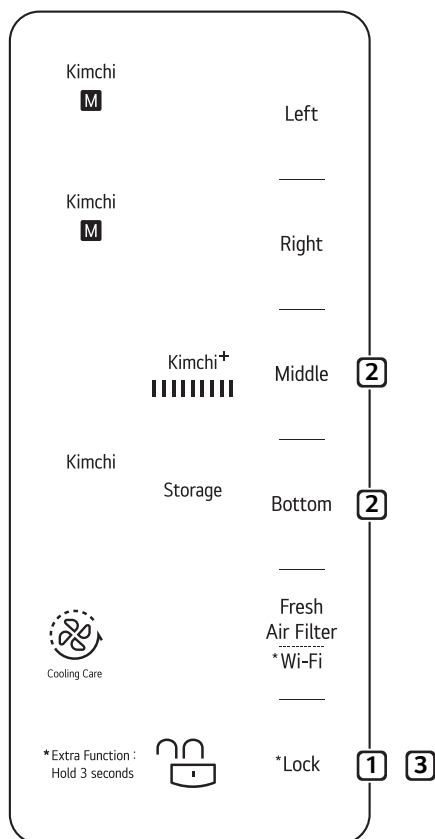
## Using the Kimchi+ and Storage Modes (Middle/Bottom Compartment)

### Kimchi+

- Use this setting with cabbage kimchi. The rapid cooling slows fermentation and encourages lactic acid formation which keeps kimchi fresh longer.
  - This setting is only available in the middle compartment.
  - Use this setting only for cabbage kimchi. Less salty types of kimchi may freeze if stored at this setting.
  - Use this setting only for freshly prepared kimchi.
  - Using the setting twice may over-ferment the kimchi. Use it only once.
  - The bars light in the display to indicate the fermentation process. The kimchi is ready to eat when all the bars are lit (approximately 6 days).

### Storage

- This setting uses the Smart Cold Shock function to store kimchi at the lowest temperature and retain its taste for long periods.
- This setting is only available on the Bottom compartment.
- Vegetables may freeze if stored at this setting.



### 1 Unlock the display.

- Press and hold the **Lock** button for approximately 3 seconds to unlock the display. The display must be unlocked before settings can be changed.

### 2 Press the Middle or Bottom button to change settings for each compartment.

- Press each button repeatedly to select a setting.
- As the buttons are pressed, the settings change in the order shown.

#### Middle Compartment (Kimchi+)

Kimchi: M → H → L ➡ Produce: M → H → L  
 ➡ Meat/Fish ➡ Kimchi+ ➡ Fer. ➡ Off

#### Bottom Compartment (Storage)

Kimchi: M → H → L ➡ Produce: M → H → L  
 ➡ Rice/Grain ➡ Storage ➡ Fast Chill ➡ Off

- Select the appropriate temperature for the food being stored.
- When **Storage** is selected, **Kimchi** is automatically turned on. Vegetables and fruit may freeze if stored at this setting.

### 3 Press the Lock button to lock the display.

- When the lock icon  lights up, Kimchi+ or Storage begins.

### Resetting the Kimchi+ setting

- To reset the Kimchi+ setting, cancel the Kimchi+ mode and reset it.
  - Step1(Cancel): Unlock → Kimchi → Lock
  - Step2(Reset): Unlock → Kimchi+ → Lock

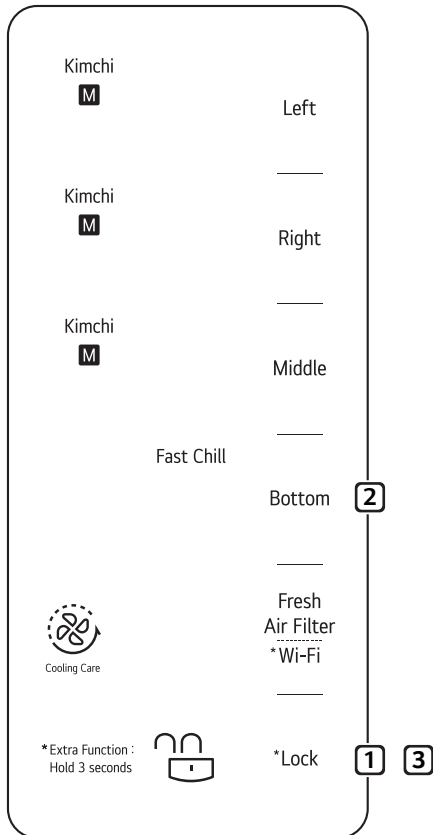
## Using the Fast Chill Storage Method (Lower Compartment)

### Fast Chill

- Use this setting to store commercially prepared kimchi. Kimchi purchased in a store has already been fermented, so it is best to cool it as rapidly as possible.

### NOTE

- When using the Fast Chill function, be sure to separate purchased kimchi from kimchi already being stored. Using this setting with kimchi that has already been cooled may freeze the kimchi.



### 1 Unlock the display.

- Press and hold the **Lock** button for approximately 3 seconds to unlock the display. The display must be unlocked before settings can be changed.

### 2 Press the Bottom compartment button.

- Press **Bottom** repeatedly to select **Fast Chill**.
- As the button is pressed, the settings change in the order shown.

#### Bottom Compartment

Kimchi: M → H → L ➡ Produce: M → H → L  
 ➡ Rice/Grain ➡ Storage ➡ Fast Chill ➡ Off

### 3 Press Lock to lock the display.

- When the Lock icon  lights up, Fast Chill begins.

### NOTE

- Allow 48 hours before resetting the Fast Chill setting. To prevent kimchi from freezing, the Fast Chill setting cannot be reset within 48 hours of first being set.

### Resetting the Fast Chill Setting

- To store newly purchased kimchi, cancel the Fast Chill setting and reset it.
  - Step1(Cancel): Unlock → Kimchi → Lock
  - Step2(Reset): Unlock → Fast Chill → Lock

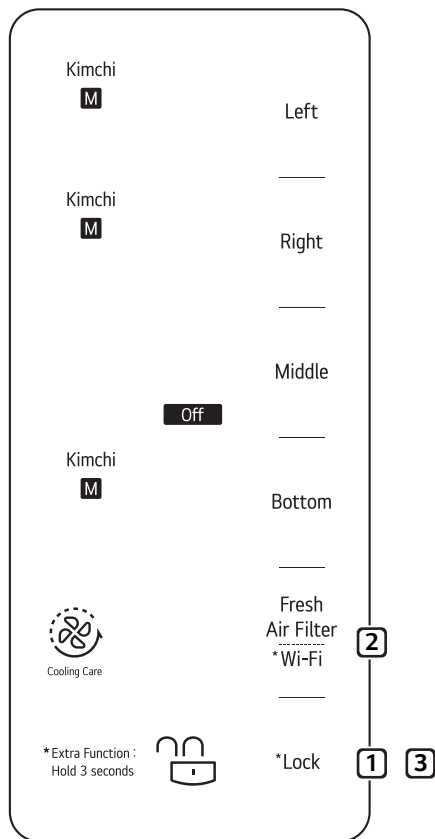
## Using the Fresh Air Filter and Wi-Fi Functions

### Fresh Air Filter

Use this function to improve air circulation and help remove odors inside the refrigerator.

### Wi-Fi

Use this function to connect the product to a home Wi-Fi network and access smart functions through the LG ThinQ app.



### Setting the Fresh Air Filter Function

#### 1 Unlock the display.

- Press and hold the **Lock** button for approximately 3 seconds to unlock the display. The display must be unlocked before settings can be changed.

#### 2 Press Fresh Air Filter/Wi-Fi.

- Press the Fresh Air Filter/Wi-Fi button. Deodorization begins and the LED stays lit until it is complete.

#### 3 Press the Lock button to lock the display.

- Once the display is locked, deodorization begins.

#### NOTE

- After repeated use, the filter may become saturated and less effective. See page 33 for instructions on cleaning and reusing the filter.

### Setting the Wi-Fi Function

#### 1 Unlock the display.

- Press and hold the **Lock** button for approximately 3 seconds to unlock the display. The display must be unlocked before settings can be changed.

#### 2 Press and hold the Fresh Air Filter/Wi-Fi button for 3 seconds.

- When the product is successfully connected to the internet, the Wi-Fi icon turns on.
- To disconnect the product from Wi-Fi, use the Settings menu in the app to delete it from the connected products.



## Storing Food

### Food Storage Tips

- **Storing Vegetables and Fruit**  
The moisture left on vegetables after washing can make them spoil faster. Wait to wash vegetables until just before use. Leafy greens like kale or lettuce have a limited storage life. Wrap them in newspaper or in sealed containers to help them stay fresh longer.
- **Do not store tropical fruits in the refrigerator.**  
Bananas or uncut pineapples are damaged by cold temperatures.
- To store dried seafood, select “Produce” for the middle compartment and adjust the storage temperature to “low”.
- Store vegetables or fruit in the designated containers to prevent them from freezing in the middle or lower compartment.
- Store rice or grain in the bottom compartment using the Rice/Grain setting.
- To avoid freezing vegetables, do not store them using the Storage setting on the bottom compartment.
- To avoid freezing kimchi, do not store it using the Meat/Fish setting on the middle compartment.

### Tips for Storing Kimchi

- **Do not overfill the kimchi containers.**  
Allow space for the kimchi to expand as it ferments or the contents may overflow the container. Close the container lids completely to prevent the kimchi from fermenting too quickly or developing yeast mold.  
Fill the container with kimchi up to the fill line and make sure the lid is tightly closed before storing. Cover the surface of the kimchi with plastic wrap to extend the storage time.
- **Do not place kimchi directly into the refrigerator compartment or store it in a plastic bag.**  
Use the kimchi container provided to store kimchi. Kimchi placed directly into the refrigerator compartment may freeze and taste off. Do not block the air outlet inside the refrigerator with food. Doing so could cause the food to freeze, affect product performance, or result in electric shock or injury.
- **For best results, check on kimchi within 3 to 4 days of storing it.**  
If the kimchi has overflowed from the container, it may ferment too quickly and not store well.
- **Do not place foods that require different storage conditions in the same compartment.**  
Select the appropriate settings for the food being stored.
- **Be sure to use enough salt when preparing kimchi for longer storage.**  
The rate of fermentation is mostly determined by the amount of salt in the kimchi. Small batches of mild kimchi can be successfully stored for short periods, but add more salt if storing large amounts for use over an extended period.
- **Use care when placing kimchi containers in the refrigerator.**  
Lift the container by the handles and avoid impacts to the bottom of the container.  
(The appearance of kimchi containers may vary by model.)

## A Guide to Kimchi

- **The first step in fermenting kimchi is salt pickling.**

The salt reacts with enzymes in the cabbage to break down proteins and begin fermentation immediately. This process continues even at cold temperatures. Traditionally, kimchi was allowed to ferment slowly during the cold winter weather.

- **The taste of kimchi also depends on the seasonings used.**

Typical seasonings include green onion, garlic, ginger, salted fish, and chili powder. The combination of spices chosen determines the overall taste of the kimchi.

- **Fermentation Rates for Kimchi**

Adding a lot of garlic, seafood, onions, chili powder, cucumber or green onions makes kimchi ferment more quickly. Adding salted oysters, salted shrimp or persimmon sauce really speeds up fermentation. On the other hand, adding leeks, mustard or ginseng slows down fermentation.

- **Kimchi begins fermenting as soon as it is prepared.**

Contact with air will make kimchi sour. If the kimchi is not covered in sauce or has too little salt, a thin skin of yeast will form on its surface. Keep air away from the vegetables by covering them in sauce or placing the kimchi in a plastic bag or covering it with plastic wrap.

- 

- **How Temperature Affects Kimchi**

Temperature affects the fermentation rate of kimchi. When preparing kimchi for long-term storage, keep the temperature below 50°F (10°C).

- **Long-Term Storage of Kimchi**

Like cheese, kimchi is a living organism and will change over time. To keep kimchi fresh for long periods, increase the salt content and store at a low temperature, near 32°F (0°C).

Press vegetables down so they are covered with sauce and cover the container with plastic wrap or a layer of cabbage leaves to keep air out and keep kimchi fresh longer.

- **Choosing the Right Cabbage for Kimchi**

There are many different kinds of cabbage available. For kimchi, choose a medium sized cabbage which is rounded rather than long and thin. The inner leaves should be sweet and paler than the outer leaves. Outer leaves should be thin and light green.

- **Selecting Radishes for Kimchi**

There are many types of radish kimchi, and different radishes are used for different types of kimchi.

For radish kimchi, use Korean radishes that have pale green tops and well-spread leaves.

For chonggak (young radish) kimchi, use Seoul radishes that have round, thick bottoms.

For kkakdugi (cubed radish kimchi), try to find radishes with white rather than green tops.

For dongchimi, use radishes with soft leaves and white rather than green tops.

## Proper Food Storage Techniques

- **Store kimchi in the kimchi container.**  
Fill the container with kimchi only up to the fill line and make sure the lid is tightly closed before storing.  
If the lid is not closed properly, a thin film of yeast can form on the surface of the kimchi or the kimchi may ferment too quickly. Cover the surface of the kimchi with plastic wrap or a layer of cabbage leaves before storing it to prevent yeast from forming.
- **Store vegetables or fruits in the designated container.**  
Some vegetables and fruits are damaged by cold air. Vegetables which are damp from being washed tend to spoil more quickly. For best results, don't wash vegetables before storing them.  
Do not refrigerate tropical fruits like bananas or pineapples, which are damaged by cold temperatures.
- **Allow hot food to cool to room temperature before refrigerating it.**  
Placing hot food directly into the refrigerator can raise the temperature of surrounding food items, leading to spoilage and higher utility bills.
- **Long-Term Storage of Kimchi**  
Place newly prepared kimchi into the refrigerator and select the Kimchi setting.  
Depending on the type and saltiness of the kimchi, select the Low, Medium, or High setting.  
For best long-term storage, make sure the vegetables are completely submerged in the sauce and cover the kimchi with plastic wrap.
- **Storing Purchased Kimchi**  
If kimchi will be consumed within a short time, select the Fast Chill setting. If kimchi will be stored for a long time, select the Storage setting.
- **Before storing vegetable oils in the refrigerator, read the storage instructions on the container.**  
Vegetable oil bottles can become messy with use. Place oil bottles in disposable or left over plastic containers to avoid having to clean refrigerator shelves.
- **Select the appropriate temperature for the food being stored.**  
Storing kimchi at the Fermentation setting may cause it to spoil.  
Some types of kimchi may freeze if stored at the High setting. Check on kimchi often when using the High setting.  
Storing other food along with kimchi in a storage container may result in the other food freezing.
- **Using the Different Containers**  
For best results when using the Fridge setting, store containers which are similar in size, smaller containers, or bottles.
  - Storing kimchi in the provided kimchi container in the designated position makes the most delicious kimchi.
  - Do not store kimchi in glass bottles. The kimchi will expand when frozen and the bottle may break, causing a risk of injury.
  - Do not place containers near the air outlet in the refrigerator. The food may freeze.
- **Fermenting Kimchi**  
Avoid opening the compartment door while kimchi is fermenting.  
Allowing the warmer outside air in during fermentation can affect the taste of the kimchi.
- **Getting Rid of Food Odors**  
Cover open food containers with plastic wrap before storing to prevent transfer of odors inside the refrigerator.
- **After installation, allow the refrigerator to cool completely before storing food.**  
Food may spoil and cause odors to linger if it is stored before the refrigerator has been allowed to reach the set temperature.

## Left/Right Compartments

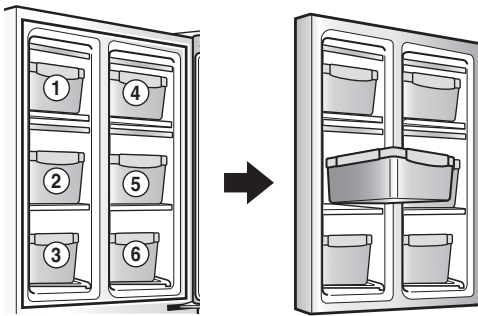
Depending on need, set the compartment temperature for storing kimchi or refrigerating food.

- Kimchi containers can be purchased separately from an LG Electronics Service Center.

## Exclusive Lock&Lock Kimchi Containers

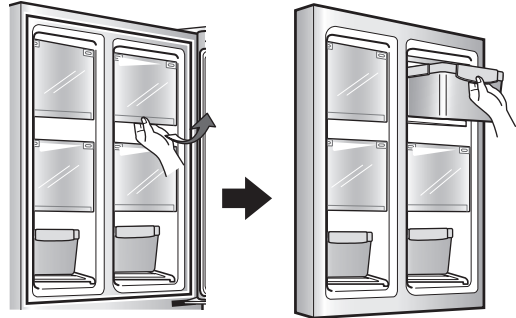
A kimchi container fits on each shelf in the left and right compartments.

- Depending on the model, the kimchi containers may look different or may not be included.

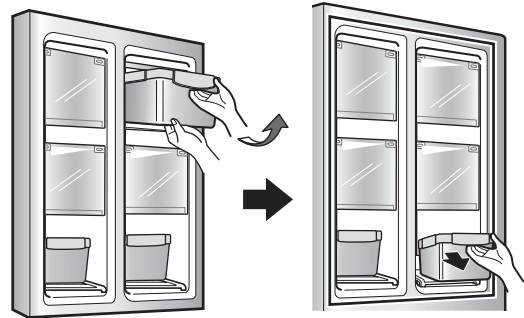


## Removing Kimchi Containers from the Left and Right Compartments

- 1 Pull the flip-up cover forward to release it then slide it in under the shelf above.



- 2 Use the handles to pull the kimchi container forward and remove it.



### **!** CAUTION

- Take care when moving the kimchi containers. If they are very full, they can be heavy.

## CustomChill Drawers

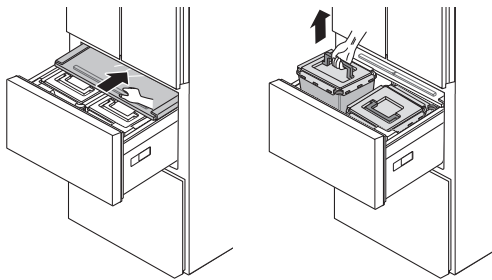
The CustomChill drawers provide storage space with a variable temperature control that can be adjusted to keep the compartment either colder or warmer than the refrigerator.

Use them to store meat and seafood, produce, rice or grain.

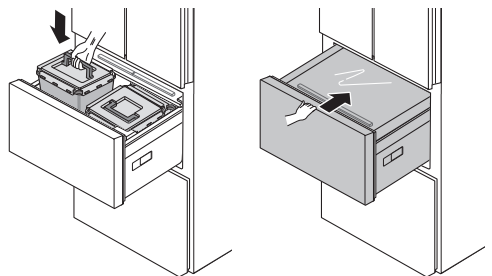
- The CustomChill drawers feature covers to lock in cold air.
- The covers stabilize the temperature and help maintain the humidity level inside the drawers.

### Using CustomChill Drawers

- 1 Open the drawer and gently slide the cover back. Lift the kimchi containers by the handle to remove them.



- 2 Closing the drawer automatically closes the cover.



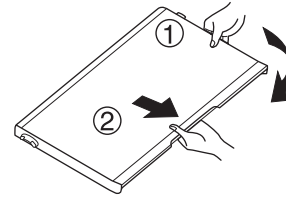
## Adjusting the Refrigerator Shelves

The shelves in the refrigerator are adjustable to meet individual storage needs.

Adjusting the shelves to fit items of different heights will make finding the exact item you want easier.

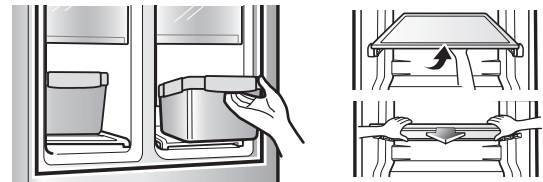
## Removing Flip-up Covers

- To remove the flip-up cover, open it and push it toward one side to release it from the rails, then pull it forward.



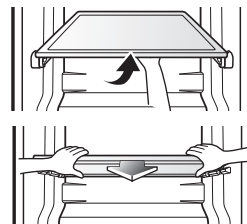
## Removing Shelves

- To remove the shelf, lift it at the back and pull it forward.

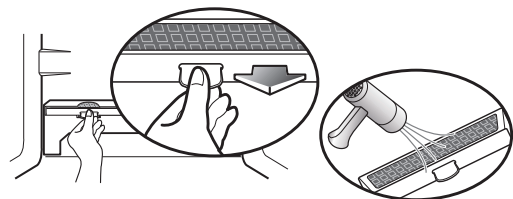


## Removing the Fresh Air Filter

- 1 Remove the glass shelves in the left and right compartments.



- 2 Pull the tab on the filter to slide it out of the holder. Dry it using a hair dryer or by exposing it to sunlight. The filter is reusable.



### NOTE

- To increase deodorizing performance, a natural palm wood material is attached to the filter. If residue falls off, it will not harm you and can be wiped off easily with a towel or cloth.

# SMART FUNCTIONS

## LG ThinQ Application

This feature is only available on models with Wi-Fi.

The **LG ThinQ** application allows you to communicate with the appliance using a smartphone.

### LG ThinQ Application Features

#### Push Messages

If the door remains open for more than ten minutes, you will receive a push message.

#### Smart Diagnosis™

This function provides useful information for diagnosing and solving issues with the appliance based on the pattern of use.

#### Settings

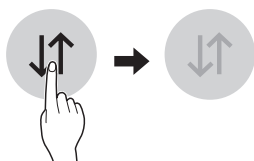
Allows you to set various options on the refrigerator and in the application.

#### NOTE

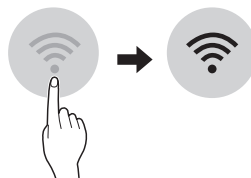
- If you change your wireless router, Internet service provider, or password, delete the connected appliance from the **LG ThinQ** application and connect it again.
- This information is current at the time of publication. The application is subject to change for product improvement purposes without notice to users.

### Before Using LG ThinQ Application


- 1 Use a smartphone to check the strength of the wireless router (Wi-Fi network) near the appliance.
  - If the appliance is too far from the router, the signal strength becomes weak. It may take a long time to register or installation may fail.
- 2 Turn off the **Mobile data** or **Cellular Data** on your smartphone.



- 3 Connect your smartphone to the wireless router.



#### NOTE

- To verify the Wi-Fi connection, check that the **Wi-Fi**  icon on the control panel is lit.
- The appliance supports 2.4 GHz Wi-Fi networks only. To check your network frequency, contact your Internet service provider or refer to your wireless router manual.
- **LG ThinQ** is not responsible for any network connection problems or any faults, malfunctions, or errors caused by network connection.
- The surrounding wireless environment can make the wireless network service run slowly.
- If the appliance is having trouble connecting to the Wi-Fi network, it may be too far from the router. Purchase a Wi-Fi repeater (range extender) to improve the Wi-Fi signal strength.
- The network connection may not work properly depending on the Internet service provider.
- The Wi-Fi connection may not connect or may be interrupted because of the home network environment.
- If the appliance cannot be registered due to problems with the wireless signal transmission, unplug the appliance and wait about a minute before trying again.
- If the firewall on your wireless router is enabled, disable the firewall or add an exception to it.
- The wireless network name (SSID) should be a combination of English letters and numbers. (Do not use special characters.)
- Smartphone user interface (UI) may vary depending on the mobile operating system (OS) and the manufacturer.
- If the security protocol of the router is set to **WEP**, network setup may fail. Change the security protocol (**WPA2** is recommended), and connect the product again.

## Installing the LG ThinQ Application

Search for the **LG ThinQ** application from the Google Play Store or Apple App Store on a smart phone.

- Follow instructions to download and install the application.

## Connecting to Wi-Fi

The **Wi-Fi** button, when used with the **LG ThinQ** application, allows the refrigerator to connect to a home Wi-Fi network. The **Wi-Fi** icon shows the status of the refrigerator's network connection. The icon illuminates when the refrigerator is connected to the Wi-Fi network.

## Initial Appliance Registration

- Run the **LG ThinQ** application and follow the instructions in the application to connect the appliance.

## Reconnecting the Appliance or Adding Another User

- Press and hold the **Wi-Fi** button for 3 seconds to temporarily turn it off. Run the **LG ThinQ** application and follow the instructions in the application to connect the appliance.

### NOTE

- To disable the Wi-Fi function, press and hold the **Wi-Fi** button for 3 seconds. Wi-Fi icon will be turned off.

## Wireless LAN Module Specifications

<b>Model</b>	LCW-008
<b>Frequency Range</b>	2412 - 2462 MHz
<b>Output Power (Max)</b>	< 30 dBm

## FCC Notice

The following notice covers the transmitter module contained in this product.

This equipment has been tested and found to comply with the limits for a Class B digital device, pursuant to Part 15 of the FCC Rules. These limits are designed to provide reasonable protection against harmful interference in a residential installation. This equipment generates, uses, and can radiate radio frequency energy and, if not installed and used in accordance with the instructions, may cause harmful interference to radio communications. However, there is no guarantee that interference will not occur in a particular installation. If this equipment does cause harmful interference to radio or television reception, which can be determined by turning the equipment off and on, the user is encouraged to try to correct the interference by one or more of the following measures:

- Reorient or relocate the receiving antenna.
- Increase the separation between the equipment and the receiver.
- Connect the equipment to an outlet on a circuit different from that to which the receiver is connected.
- Consult the dealer or an experienced radio/TV technician for help.

This device complies with part 15 of the FCC Rules. Operation is subject to the following two conditions:

- 1) This device may not cause harmful interference and
- 2) This device must accept any interference received, including interference that may cause undesired operation.

Any changes or modifications in construction of this device which are not expressly approved by the party responsible for compliance could void the user's authority to operate the equipment.



## FCC RF Radiation Exposure Statement

This equipment complies with FCC radiation exposure limits set forth for an uncontrolled environment. This transmitter must not be co-located or operating in conjunction with any other antenna or transmitter.

This equipment should be installed and operated with a minimum distance of 20 cm (7.8 inches) between the antenna and your body. Users must follow the specific operating instructions for satisfying RF exposure compliance.

## Industry Canada Statement

This device contains licence-exempt transmitter(s)/ receiver(s) that comply with Innovation, Science and Economic Development Canada's licence-exempt RSS(s). Operation is subject to the following two conditions:

- (1) This device may not cause interference.
- (2) This device must accept any interference, including interference that may cause undesired operation of the device.

## IC Radiation Exposure Statement

This equipment complies with IC radiation exposure limits set forth for an uncontrolled environment.

This equipment should be installed and operated with a minimum distance of 20 cm (7.8 inches) between the antenna and your body.

### NOTE

- THE MANUFACTURER IS NOT RESPONSIBLE FOR ANY RADIO OR TV INTERFERENCE CAUSED BY UNAUTHORIZED MODIFICATIONS TO THIS EQUIPMENT. SUCH MODIFICATIONS COULD VOID THE USER'S AUTHORITY TO OPERATE THE EQUIPMENT.



## Open Source Software Notice Information

To obtain the source code under GPL, LGPL, MPL, and other open source licenses, that is contained in this product, please visit <http://opensource.lge.com>. In addition to the source code, all referred license terms, warranty disclaimers and copyright notices are available for download.

LG Electronics will also provide open source code to you on CD-ROM for a charge covering the cost of performing such distribution (such as the cost of media, shipping, and handling) upon email request to [opensource@lge.com](mailto:opensource@lge.com). This offer is valid for a period of three years after our last shipment of this product. This offer is valid to anyone in receipt of this information.



## Smart Diagnosis™ Feature

This feature is only available on models with the  or  logo.

Use this feature to help you diagnose and solve problems with your appliance.

### NOTE

- For reasons not attributable to LGE's negligence, the service may not operate due to external factors such as, but not limited to, Wi-Fi unavailability, Wi-Fi disconnection, local app store policy, or app unavailability.
- The feature may be subject to change without prior notice and may have a different form depending on where you are located.

## Using LG ThinQ to Diagnose Issues

If you experience a problem with your Wi-Fi equipped appliance, it can transmit troubleshooting data to a smartphone using the **LG ThinQ** application.

- Launch the **LG ThinQ** application and select the Smart Diagnosis feature in the menu. Follow the instructions provided in the **LG ThinQ** application.

## Using Audible Diagnosis to Diagnose Issues

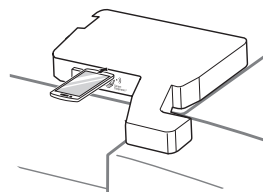
Follow the instructions below to use the audible diagnosis method.

- Launch the **LG ThinQ** application and select the Smart Diagnosis feature in the menu. Follow the instructions for audible diagnosis provided in the **LG ThinQ** application.

- 1 Press the Lock button to activate the lock function.
  - If the display has been locked for over five minutes, you must deactivate the lock and then reactivate it.



- 2 Press and hold the **Bottom** button for 3 seconds or longer.
- 3 Open the right compartment door and then hold the mouthpiece of your phone in front of the speaker that is located on the right hinge of the refrigerator door.



- 4 Keep the phone in place until the tone transmission has finished. The display will count down the time. Once the countdown is over and the tones have stopped, the diagnosis will be displayed in the application.

### NOTE

- For best results, do not move the phone while the tones are being transmitted.

# MAINTENANCE

## Cleaning

### WARNING

- Use non-flammable cleaner. Failure to do so can result in fire, explosion, or death.

### CAUTION

- Do not use an abrasive cloth or sponge when cleaning the interior and exterior of the refrigerator.
- Do not place your hand on the bottom surface of the refrigerator when opening and closing the doors.

## General Cleaning Tips

- The refrigerator compartments defrost automatically; however, clean all sections once a month to prevent odors.
- Wipe up spills immediately.
- Unplug the refrigerator or disconnect power before cleaning.
- Remove all removable parts, such as shelves.
- Use a clean sponge or soft cloth and a mild detergent in warm water. Do not use abrasive or harsh cleaners.
- Hand wash, rinse and dry all surfaces thoroughly.

## Exterior

For products with black stainless steel exterior, spray glass cleaner on a clean, microfiber cloth and rub in direction of grain. Do not spray glass cleaner directly at the display panel. Do not use harsh or abrasive cleaners.

For products with a standard stainless steel exterior, use a damp microfiber cloth and rub in the direction of the grain. Dry with a paper towel to avoid streaks. For stubborn stains and fingerprints, use a few drops of liquid dish soap in water, and rinse with hot water before drying. Do not use abrasive or harsh cleaners.

## Containers and Bins

- Containers and bins can easily become dirty from spilled food. Remove them occasionally and rinse them out to avoid odors.  
See page 17 for instructions on removing the middle and bottom drawers for cleaning.
- Shelves can become dirty from spilled food. Remove them occasionally and clean with a damp cloth. To remove the shelf, lift it at the back and pull it forward.
- Before cleaning the container lids, remove the rubber packing from inside the lid. Remember to replace the rubber packing once the lids are clean. Do not clean the containers and lids in water hotter than 122°F (50°C).  
Gently clean the containers with a soft sponge to avoid scratching the surface.

## Cleaning Kimchi Containers

- Kimchi containers may emit a plastic odor when you first use them, so clean them using a soft sponge and neutral detergent.
- To remove lingering odor from kimchi containers, place some finely chopped leafy green vegetables in the container, close the lid and leave for 24 hours at room temperature. After 24 hours, open the lid and add about 1 gallon of rinse water from cleaning rice to the container and leave it open at room temperature for 30 minutes. After 30 minutes, rinse out the container and allow it to air dry.
- When used for a long period of time, the distinct color and odor of kimchi can permeate the container.

### CAUTION

- Do not wash the lid of the kimchi container in the dishwasher. Hand-wash only.

## Inside Walls

- Allow freezer to warm up so the cloth will not stick.  
To help remove odors, wash the inside of the refrigerator with a mixture of baking soda and warm water. Mix 2 tablespoons of baking soda to 1 quart of water (26 g soda to 1 liter water). Be sure the baking soda is completely dissolved so it does not scratch the surfaces of the refrigerator.

## Door Liners and Gaskets

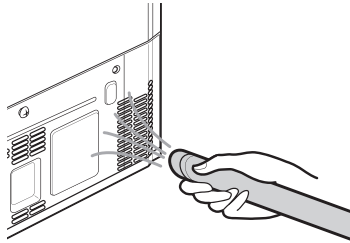
Use a clean sponge or soft cloth and a mild detergent in warm water. Do not use cleaning waxes, concentrated detergents, bleaches, or cleaners containing petroleum on plastic refrigerator parts.

## Covers and Control Panel

Use a clean sponge or soft cloth and a mild detergent in warm water. Do not use glass cleaners, abrasive cleansers, or flammable fluids. These can scratch or damage the material.

## Condenser Coils

Use a vacuum cleaner with a brush or crevice attachment to clean the condenser cover and vents. Do not remove the panel covering the condenser coil area.



# TROUBLESHOOTING

## Before Calling for Service

Review this section before calling for service; doing so will save you both time and money.

### Cooling

Problem	Possible Cause	Solutions
Refrigerator is not cooling or has no power.	A fuse in your home may be blown or the circuit breaker tripped. Or the appliance is connected to a GFCI (Ground Fault Circuit Interrupter) outlet, and the outlet's circuit breaker has tripped.	Check the main electrical box and replace the fuse or reset the circuit breaker. Do not increase fuse capacity. If the problem is a circuit overload, have it corrected by a qualified electrician. Reset the circuit breaker on the GFCI. If the problem persists, contact an electrician.
	The refrigerator control is set to OFF (some models).	Turn the control ON. Refer to the Setting the Controls section for proper temperature settings.
	Refrigerator is in the defrost cycle.	During the defrost cycle, the temperature of each compartment may rise slightly. Wait 30 minutes and confirm the proper temperature has been restored once the defrost cycle has completed.
	Refrigerator was recently installed.	It may take up to 24 hours for each compartment to reach the desired temperature.
	Refrigerator was recently relocated.	If the refrigerator was stored for a long period of time or moved on its side, it is necessary for the refrigerator to stand upright for 24 hours before connecting it to power.
Cooling system runs too much.	Refrigerator is replacing an older model.	Modern refrigerators require more operating time but use less energy due to more efficient technology.
	Refrigerator was recently plugged in or power restored.	The refrigerator will take up to 24 hours to cool completely.
	The door is opened often or a large amount of food / hot food was added.	Adding food and opening the door warms the refrigerator, requiring the compressor to run longer in order to cool the refrigerator back down. In order to conserve energy, try to get everything you need out of the refrigerator at once, keep food organized so it is easy to find, and close the door as soon as the food is removed. (Refer to the Food Storage Guide.)
	Doors are not closed completely.	Firmly push the doors shut. If they will not shut all the way, the "Doors will not close correctly or pop open" section.
	Refrigerator is installed in a hot location.	The compressor will run longer under warm conditions. At normal room temperatures (70 °F) expect your compressor to run about 40 % to 80 % of the time. Under warmer conditions, expect it to run even more often. The refrigerator should not be operated above 110 °F.
	Condenser / back cover is clogged.	Use a vacuum cleaner with an attachment to clean the condenser cover and vents. Do not remove the panel covering the condenser coil area.

## Cooling

Problem	Possible Cause	Solutions
Interior moisture buildup.	Doors are opened often or for long periods of time.	When the doors are opened often or for long periods of time, warm, humid air enters the compartment. This raises the temperature and moisture level within the compartment. To lessen the effect, reduce the frequency and duration of door openings.
	Doors are not closed correctly.	See the "Doors will not close correctly or pop open" section.
	Weather is humid.	Humid weather allows additional moisture to enter the compartments when the doors are opened leading to condensation or frost. Maintaining a reasonable level of humidity in the home will help to control the amount of moisture that can enter the compartments.
	Defrost cycle recently completed.	During the defrost cycle, the temperature of each compartment may rise slightly and condensation may form on the back wall. Wait 30 minutes and confirm that the proper temperature has been restored once the defrost cycle has completed.
	Food is not packaged correctly.	Food stored uncovered or unwrapped, and damp containers can lead to moisture accumulation within each compartment. Wipe all containers dry and store food in sealed packaging to prevent condensation and frost.
Food is freezing in the refrigerator compartment.	Food with high water content was placed near an air vent.	Rearrange items with high water content away from air vents.
	Refrigerator temperature control is set incorrectly.	If the temperature is too cold, adjust the control one increment at a time and wait for the temperature to stabilize. Refer to the Control Panel section for more information.
	Refrigerator is installed in a cold location.	When the refrigerator is operated in temperature below 41°F (5°C), food can freeze in the refrigerator compartment. The refrigerator should not be operated in temperature below 55°F (13°C).
Refrigerator or Freezer section is too warm.	Refrigerator was recently installed.	It may take up to 24 hours for each compartment to reach the desired temperature.
	The air vents are blocked. Cold air circulates from the freezer to the fresh food section and back again through air vents in the wall dividing the two sections.	Locate air vents by using your hand to sense airflow and move all packages that block vents and restrict airflow. Rearrange items to allow air to flow throughout the compartment.

## Cooling

Problem	Possible Cause	Solutions
<b>Refrigerator or Freezer section is too warm.</b>	<b>Doors are opened often or for long periods of time.</b>	When the doors are opened often or for long periods of time, warm, humid air enters the compartment. This raises the temperature and moisture level within the compartment. To lessen the effect, reduce the frequency and duration of door openings.
	<b>Unit is installed in a hot location.</b>	The refrigerator should not be operated in temperatures above 110 °F.
	<b>A large amount of food or hot food was added to either compartment.</b>	Adding food warms the compartment requiring the cooling system to run. Allowing hot food to cool to room temperature before putting it in the refrigerator will reduce this effect.
	<b>Doors not closed correctly.</b>	See the Doors will not close correctly or pop open section in Parts & Features Troubleshooting.
	<b>Temperature control is not set correctly.</b>	If the temperature is too warm, adjust the control one increment at a time and wait for the temperature to stabilize.
	<b>Defrost cycle has recently completed.</b>	During the defrost cycle, the temperature of each compartment may rise slightly and condensation may form on the back wall. Wait 30 minutes and confirm the proper temperature has been restored once the defrost cycle has completed.
<b>Refrigerator or Freezer section is too cold.</b>	<b>Incorrect temperature control settings.</b>	If the temperature is too cold, adjust the control one increment at a time and wait for the temperature to stabilize. Refer to the Control Panel for more information.
<b>Frost or ice crystals form on frozen food (inside of sealed package).</b>	<b>Condensation from food with a high water content has frozen inside of the food package.</b>	This is normal for food items with a high water content.
	<b>Food has been left in the freezer for a long period of time.</b>	Do not store food items with high water content in the freezer for a long period of time.
<b>Frost or ice crystals form on frozen food (outside of package).</b>	<b>Door is opened frequently or for long periods of time.</b>	When the doors are opened often or for long periods of time, warm, humid air enters the compartment. This raises the temperature and moisture level within the compartment. Increased moisture will lead to frost and condensation. To lessen the effect, reduce the frequency and duration of door openings.
	<b>Door is not closing properly.</b>	Refer to the Doors will not close correctly or pop open section in the Troubleshooting section.

## Parts & Features

Problem	Possible Cause	Solutions
Doors will not close correctly or pop open.	Food packages are blocking the door open.	Rearrange food containers to clear the door and door bins.
	Ice bin, crisper cover, pans, shelves, door bins, or baskets are out of position.	Push bins all the way in and put crisper cover, pans, shelves and baskets into their correct positions. See the Operation section for more information.
	The doors were removed during product installation and not properly replaced.	Remove and replace the doors according to the Removing and Replacing Refrigerator Handles and Doors section.
	Refrigerator is not leveled properly.	See Door Alignment in the Refrigeration Installation section to level refrigerator.
Doors are difficult to open.	The gaskets are dirty or sticky.	Clean the gaskets and the surfaces that they touch. Rub a thin coat of appliance polish or kitchen wax on the gaskets after cleaning.
	Door was recently closed.	When you open the door, warmer air enters the refrigerator. As the warm air cools, it can create a vacuum. If the door is hard to open, wait one minute to allow the air pressure to equalize, then see if it opens more easily.
Refrigerator wobbles or seems unstable	Leveling legs are not adjusted properly.	Refer to the Leveling and Door Alignment section.
	Floor is not level.	It may be necessary to add shims under the leveling legs or rollers to complete installation.
Lights do not work.	LED interior lighting failure.	The refrigerator uses LED interior lighting, and service should be performed by a qualified technician.
Refrigerator has an unusual odor.	The Air Filter may need to be set or replaced.	Set the Fresh Air Filter setting. If the odor does not go away within 24 hours, the filter may need to be replaced. See the Replacing the Air Filter section for replacement instructions.
The interior of the refrigerator is covered with dust or soot.	The refrigerator is located near a fire source, such as a fireplace, chimney, or candle.	Make sure that the refrigerator is not located near a fire source, such as a fireplace, chimney or candle

## Noises

Problem	Possible Cause	Solutions
Clicking	The defrost control will click when the automatic defrost cycle begins and ends. The thermostat control (or refrigerator control on some models) will also click when cycling on and off.	Normal Operation
Rattling	Rattling noises may come from the flow of refrigerant, the water line on the back of the unit, or items stored on top of or around the refrigerator.	Normal Operation
	Refrigerator is not resting solidly on the floor.	Floor is weak or uneven or leveling legs need to be adjusted. See the Leveling and Door Alignment section.
	Refrigerator with linear compressor was jarred while running.	Normal Operation
Whooshing	Evaporator fan motor is circulating air through the refrigerator and freezer compartments.	Normal Operation
	Air is being forced over the condenser by the condenser fan.	Normal Operation
Gurgling	Refrigerant flowing through the cooling system.	Normal Operation
Popping	Contraction and expansion of the inside walls due to changes in temperature.	Normal Operation
Sizzling	Water dripping on the defrost heater during a defrost cycle.	Normal Operation
Vibrating	If the side or back of the refrigerator is touching a cabinet or wall, some of the normal vibrations may make an audible sound.	To eliminate the noise, make sure that the sides and back cannot vibrate against any wall or cabinet.
Dripping	Water running into the drain pan during the defrost cycle.	Normal Operation
Pulsating or high-pitched sound	Your refrigerator is designed to run more efficiently to keep your food items at the desired temperature. The high efficiency compressor may cause your new refrigerator to run longer than your old one, but it is still more energy efficient than previous models. While the refrigerator is running, it is normal to hear a pulsating or high-pitched sound.	Normal Operation



## Wi-Fi

Problem	Possible Cause	Solutions
<b>Trouble connecting appliance and smartphone to Wi-Fi network</b>	<b>The password for the Wi-Fi network was entered incorrectly.</b>	Delete your home Wi-Fi network and begin the registration process again.
	<b>Mobile data for your smartphone is turned on.</b>	Turn off the <b>Mobile data</b> on your smartphone before registering the appliance.
	<b>The wireless network name (SSID) is set incorrectly.</b>	The wireless network name (SSID) should be a combination of English letters and numbers. (Do not use special characters.)
	<b>The router frequency is not 2.4 GHz.</b>	Only a 2.4 GHz router frequency is supported. Set the wireless router to 2.4 GHz and connect the appliance to the wireless router. To check the router frequency, check with your Internet service provider or the router manufacturer.
	<b>The distance between the appliance and the router is too far.</b>	If the appliance is too far from the router, the signal may be weak and the connection may not be configured correctly. Move the router closer to the appliance or purchase and install a Wi-Fi repeater.

# LIMITED WARRANTY

## USA

ARBITRATION NOTICE: THIS LIMITED WARRANTY CONTAINS AN ARBITRATION PROVISION THAT REQUIRES YOU AND LG TO RESOLVE DISPUTES BY BINDING ARBITRATION INSTEAD OF IN COURT, UNLESS YOU CHOOSE TO OPT OUT. IN ARBITRATION, CLASS ACTIONS AND JURY TRIALS ARE NOT PERMITTED. PLEASE SEE THE SECTION TITLED "PROCEDURE FOR RESOLVING DISPUTES" BELOW.

Should your LG Refrigerator ("Product") fail due to a defect in materials or workmanship under normal and proper use, during the warranty period set forth below, LG Electronics ("LG") will, at its option, repair or replace the Product. This limited warranty is valid only to the original retail purchaser of the Product and applies only when purchased and used within the United States including U.S. Territories.

WARRANTY PERIOD			
Refrigerator/ Freezer	Sealed System (Condenser, Dryer, Connecting Tube and Evaporator)	Compressor	
One (1) year from the date of original retail purchase	Five (5) years from the date of original retail purchase	Five (5) years from the date of original retail purchase	Linear / Inverter Compressor Only : Parts Only for years 6-10 from the date of original retail purchase (Consumer will be charged for labor)
Parts and Labor (internal/ functional parts only)	Parts and Labor	Parts and Labor	

- Replacement products and parts are warranted for the remaining portion of the original warranty period or ninety (90) days, whichever is greater.
- Replacement products and parts may be new, reconditioned, refurbished, or otherwise factory remanufactured.
- Proof of original retail purchase specifying the Product model and date of purchase is required to obtain warranty service under this limited warranty.

**EXCEPT TO THE EXTENT PROHIBITED BY APPLICABLE LAW, ANY IMPLIED WARRANTY OF MERCHANTABILITY OR FITNESS FOR A PARTICULAR PURPOSE ON THE PRODUCT IS LIMITED IN DURATION TO THE DURATION OF THE ABOVE LIMITED WARRANTY. UNDER NO CIRCUMSTANCES SHALL LG OR ITS U.S. DISTRIBUTORS/DEALERS BE LIABLE FOR ANY INDIRECT, INCIDENTAL, CONSEQUENTIAL, SPECIAL, OR PUNITIVE DAMAGES, INCLUDING, WITHOUT LIMITATION, LOST GOODWILL, LOST REVENUES OR PROFITS, WORK STOPPAGE, IMPAIRMENT OF OTHER GOODS, COST OF REMOVAL AND REINSTALLATION OF THE PRODUCT, LOSS OF USE, OR ANY OTHER DAMAGES WHETHER BASED IN CONTRACT, TORT, OR OTHERWISE. LG'S TOTAL LIABILITY, IF ANY, SHALL NOT EXCEED THE PURCHASE PRICE PAID BY YOU FOR THE PRODUCT.**

Some states do not allow the exclusion or limitation of incidental or consequential damages or limitations on how long an implied warranty lasts, so the above exclusions or limitations may not apply to you. This limited warranty gives you specific legal rights and you may also have other rights that vary from state to state.

### THIS LIMITED WARRANTY DOES NOT COVER:

- Service trips to deliver, pick up, or install, educate how to operate, correct wiring, or correct unauthorized repairs.
- Damage or failure of the Product to perform during power failures and interrupted or inadequate electrical service.
- Damage or failure caused by leaky or broken water pipes, frozen water pipes, restricted drain lines, inadequate or interrupted water supply or inadequate supply of air.
- Damage resulting from operating the product in a corrosive atmosphere or contrary to the product owner's manual.
- Damage or failure to the Product caused by accidents, pests and vermin, lightning, wind, fire, floods, acts of God, or any other causes beyond the control of LG.

- Damage or failure caused by unauthorized modification or alteration, or if used for other than the intended purpose.
- Damage or failure resulting from misuse, abuse, improper installation, repair, or maintenance. Improper repair includes use of parts not authorized by LG. Improper installation or maintenance includes installation or maintenance contrary to the Product owner's manual.
- Damage or failure caused by incorrect electrical current, voltage, or plumbing codes.
- Damage or failure caused by transportation and handling, including scratches, dents, chips, and/or other damage to the finish of the Product, unless such damage is reported within one (1) week of delivery.
- Damage or missing items to any display, open box, or discounted Product.
- Refurbished Product or any Product sold "As Is", "Where Is", "With all Faults", or similar disclaimer.
- Products with original serial numbers that have been removed, altered, or cannot be readily determined.
- Increases in utility costs and additional utility expenses.
- Any noises associated with normal operation.
- Use of accessories (e.g., water filters, etc.), components, or consumable cleaning products that are not authorized by LG.
- Replacement of light bulbs, filters, or any consumable parts.
- When Product is used for other than normal and proper household use (e.g. commercial or industrial use, offices, and recreational facilities or vehicles) or contrary to the instructions outlined in the Product's owner's manual.
- Costs associated with removal and reinstallation of your Product for repairs.
- Shelves, door bins, drawers, handle and accessories, except for internal/functional parts covered under this limited warranty.

**The cost of repair or replacement under these excluded circumstances shall be borne by the consumer.**

TO OBTAIN WARRANTY SERVICE AND ADDITIONAL INFORMATION

Call 1-800-243-0000 and select the appropriate option from the menu.

Or visit our website at <http://www.lg.com>.

Or by mail: LG Electronics Customer Service P.O. Box 240007 Huntsville, AL 35813 ATTN: CIC

#### **PROCEDURE FOR RESOLVING DISPUTES:**

ALL DISPUTES BETWEEN YOU AND LG ARISING OUT OF OR RELATING IN ANY WAY TO THIS LIMITED WARRANTY OR THE PRODUCT SHALL BE RESOLVED EXCLUSIVELY THROUGH BINDING ARBITRATION, AND NOT IN A COURT OF GENERAL JURISDICTION. BINDING ARBITRATION MEANS THAT YOU AND LG ARE EACH WAIVING THE RIGHT TO A JURY TRIAL AND TO BRING OR PARTICIPATE IN A CLASS ACTION.

**Definitions.** For the purposes of this section, references to "LG" mean LG Electronics U.S.A., Inc., its parents, subsidiaries and affiliates, and each of their officers, directors, employees, agents, beneficiaries, predecessors in interest, successors, assigns and suppliers; references to "dispute" or "claim" shall include any dispute, claim or controversy of any kind whatsoever (whether based in contract, tort, statute, regulation, ordinance, fraud, misrepresentation or any other legal or equitable theory) arising out of or relating in any way to the sale, condition or performance of the product or this Limited Warranty.

**Notice of Dispute.** In the event you intend to commence an arbitration proceeding, you must first notify LG in writing at least 30 days in advance of initiating the arbitration by sending a letter to LG at LG Electronics USA, Inc. Attn: Legal Department- Arbitration 111 Sylvan Avenue, Englewood Cliffs, NJ 07632. You and LG agree to engage in good faith discussions in an attempt to amicably resolve your claim. The notice must provide your name, address, and telephone number; identify the product that is the subject of the claim; and describe the nature of the claim and the relief being sought. If you and LG are unable to resolve the dispute within 30 days, either party may proceed to file a claim for arbitration.

**Agreement to Binding Arbitration and Class Action Waiver.** Upon failure to resolve the dispute during the 30 day period after sending written notice to LG, you and LG agree to resolve any claims between us only by binding arbitration on an individual basis, unless you opt out as provided below. Any dispute between you and LG shall not be combined or consolidated with a dispute involving any other person's or entity's product or claim. More specifically, without limitation of the foregoing, any dispute between you and LG shall not under any circumstances proceed as part of a class or representative action. Instead of arbitration, either party may bring an individual action in small claims court, but that small claims court action may not be brought on a class or representative basis.

**Arbitration Rules and Procedures.** To begin arbitration of a claim, either you or LG must make a written demand for arbitration. The arbitration will be administered by the American Arbitration Association ("AAA") and will be conducted before a single arbitrator under the AAA's Consumer Arbitration Rules that are in effect at the time the arbitration is initiated (referred to as the "AAA Rules") and under the procedures set forth in this section. The AAA Rules are available online at [www.adr.org/consumer](http://www.adr.org/consumer). Send a copy of your written demand for arbitration, as well as a copy of this provision, to the AAA in the manner described in the AAA Rules. You must also send a copy of your written demand to LG at LG Electronics USA, Inc. Attn: Legal Department- Arbitration 111 Sylvan Avenue, Englewood Cliffs, NJ 07632. If there is a conflict between the AAA Rules and the rules set forth in this section, the rules set forth in this section will govern. This arbitration provision is governed by the Federal Arbitration Act. Judgment may be entered on the arbitrator's award in any court of competent jurisdiction. All issues are for the arbitrator to decide, except that issues relating to the scope and enforceability of the arbitration provision and to the arbitrability of the dispute are for the court to decide. The arbitrator is bound by the terms of this provision.

**Governing Law.** The law of the state of your residence shall govern this Limited Warranty and any disputes between us except to the extent that such law is preempted by or inconsistent with applicable federal law.

**Fees/Costs.** You do not need to pay any fee to begin an arbitration. Upon receipt of your written demand for arbitration, LG will promptly pay all arbitration filing fees to the AAA unless you seek more than \$25,000 in damages, in which case the payment of these fees will be governed by the AAA Rules. Except as otherwise provided for herein, LG will pay all AAA filing, administration and arbitrator fees for any arbitration initiated in accordance with the AAA Rules and this arbitration provision. If you prevail in the arbitration, LG will pay your attorneys' fees and expenses as long as they are reasonable, by considering factors including, but not limited to, the purchase amount and claim amount. Notwithstanding the foregoing, if applicable law allows for an award of reasonable attorneys' fees and expenses, an arbitrator can award them to the same extent that a court would. If the arbitrator finds either the substance of your claim or the relief sought in the demand is frivolous or brought for an improper purpose (as measured by the standards set forth in Federal Rule of Civil Procedure 11(b)), then the payment of all arbitration fees will be governed by the AAA Rules. In such a situation, you agree to reimburse LG for all monies previously disbursed by it that are otherwise your obligation to pay under the AAA Rules. Except as otherwise provided for, LG waives any rights it may have to seek attorneys' fees and expenses from you if LG prevails in the arbitration.

**Hearings and Location.** If your claim is for \$25,000 or less, you may choose to have the arbitration conducted solely on the basis of (1) documents submitted to the arbitrator, (2) through a telephonic hearing, or (3) by an in-person hearing as established by the AAA Rules. If your claim exceeds \$25,000, the right to a hearing will be determined by the AAA Rules. Any in-person arbitration hearings will be held at a location within the federal judicial district in which you reside unless we both agree to another location or we agree to a telephonic arbitration.

**Opt Out.** You may opt out of this dispute resolution procedure. If you opt out, neither you nor LG can require the other to participate in an arbitration proceeding. To opt out, you must send notice to LG no later than 30 calendar days from the date of the first consumer purchaser's purchase of the product by either: (i) sending an e-mail to [optout@lge.com](mailto:optout@lge.com), with the subject line: "Arbitration Opt Out" or (ii) calling 1-800-980-2973. You must include in the opt out e-mail or provide by telephone: (a) your name and address; (b) the date on which the product was purchased; (c) the product model name or model number; and (d) the serial number (the serial number can be found (i) on the product; or (ii) online by accessing <https://www.lg.com/us/support/repair-service/schedule-repair-continued> and clicking on "Find My Model & Serial Number").

You may only opt out of the dispute resolution procedure in the manner described above (that is, by e-mail or telephone); no other form of notice will be effective to opt out of this dispute resolution procedure. Opting out of this dispute resolution procedure will not affect the coverage of the Limited Warranty in any way, and you will continue to enjoy the full benefits of the Limited Warranty. If you keep this product and do not opt out, then you accept all terms and conditions of the arbitration provision described above.

# LIMITED WARRANTY

## CANADA

ARBITRATION NOTICE: THIS LIMITED WARRANTY CONTAINS AN ARBITRATION PROVISION THAT REQUIRES YOU AND LG TO RESOLVE DISPUTES BY BINDING ARBITRATION INSTEAD OF IN COURT, UNLESS THE LAWS OF YOUR PROVINCE OR TERRITORY DO NOT PERMIT THAT, OR, IN OTHER JURISDICTIONS, IF YOU CHOOSE TO OPT OUT. IN ARBITRATION, CLASS ACTIONS AND JURY TRIALS ARE NOT PERMITTED. PLEASE SEE THE SECTION TITLED "PROCEDURE FOR RESOLVING DISPUTES" BELOW.

Should your LG Refrigerator ("Product") fail due to a defect in materials or workmanship under normal and proper use, during the warranty period set forth below, LG Electronics Canada, Inc. ("LGECI") will, at its option, repair or replace the Product upon receipt of proof of the original retail purchase. This limited warranty is valid only to the original retail purchaser of the Product and applies only to a Product distributed, purchased and used within Canada, as determined at the sole discretion of LGECI.

<b>WARRANTY PERIOD (Note: If the original date of purchase cannot be verified, the warranty will begin sixty (60) days from the date of manufacture)</b>			
<b>Refrigerator</b>	<b>Sealed System (Condenser, Dryer, Connecting Tube and Evaporator)</b>		<b>Linear / Inverter Compressor</b>
<b>One (1) year from the date of original retail purchase</b>	<b>One (1) year from the date of original retail purchase</b>	<b>Seven (7) years from the date of original retail purchase</b>	<b>Ten (10) years from the date of original retail purchase</b>
Parts and Labor (internal/functional parts only)	Parts and Labor	Parts only (Consumer will be charged for labor)	Part only (Consumer will be charged for labor)

- Replacement products and parts are warranted for the remaining portion of the original warranty period or ninety (90) days, whichever is greater.
- Replacement products and parts may be new, reconditioned, refurbished, or otherwise factory remanufactured, all at the sole discretion of LGECI.
- Proof of original retail purchase specifying the Product model and date of purchase is required to obtain warranty service under this Limited Warranty.

**LGECI'S SOLE LIABILITY IS LIMITED TO THE LIMITED WARRANTY SET OUT ABOVE. EXCEPT AS EXPRESSLY PROVIDED ABOVE, LGECI MAKES NO, AND HEREBY DISCLAIMS, ALL OTHER WARRANTIES AND CONDITIONS RESPECTING THE PRODUCT, WHETHER EXPRESS OR IMPLIED, INCLUDING BUT NOT LIMITED TO, ANY IMPLIED WARRANTY OR CONDITION OF MERCHANTABILITY OR FITNESS FOR A PARTICULAR PURPOSE, AND NO REPRESENTATIONS SHALL BE BINDING ON LGECI. LGECI DOES NOT AUTHORIZE ANY PERSON TO CREATE OR ASSUME FOR IT ANY OTHER WARRANTY OBLIGATION OR LIABILITY IN CONNECTION WITH THE PRODUCT. TO THE EXTENT THAT ANY WARRANTY OR CONDITION IS IMPLIED BY LAW, IT IS LIMITED TO THE WARRANTY PERIOD SET OUT ABOVE. UNDER NO CIRCUMSTANCES SHALL LGECI, THE MANUFACTURER OR DISTRIBUTOR OF THE PRODUCT, BE LIABLE FOR ANY INCIDENTAL, CONSEQUENTIAL, SPECIAL, DIRECT, INDIRECT, PUNITIVE OR EXEMPLARY DAMAGES, INCLUDING, WITHOUT LIMITATION, LOSS OF GOODWILL, LOST PROFITS, LOSS OF ANTICIPATED PROFITS, LOST REVENUE, LOSS OF USE, OR ANY OTHER DAMAGE, WHETHER ARISING DIRECTLY OR INDIRECTLY FROM ANY CONTRACTUAL BREACH, FUNDAMENTAL BREACH, TORT OR OTHERWISE, OR FROM ANY ACTS OR OMISSIONS. LGECI'S TOTAL LIABILITY, IF ANY, SHALL NOT EXCEED THE PURCHASE PRICE PAID BY YOU FOR THE PRODUCT.**

This Limited Warranty gives you specific legal rights. You may also have other rights that vary from province to province depending on applicable provincial laws. Any term of this Limited Warranty that negates or varies any implied condition or warranty under provincial law is severable where it conflicts with such provincial law without affecting the remainder of this warranty's terms.

**THIS LIMITED WARRANTY DOES NOT COVER:**

- Service trips to i) deliver, pick up, or install or; educate on how to operate the Product; ii) correct wiring or plumbing; or iii) correct unauthorized repairs or installations of the Product;
- Damage or failure of the Product to perform during power failures and interrupted or inadequate electrical service;
- Damage or failure caused by leaky or broken water pipes, frozen water pipes, restricted drain lines, inadequate or interrupted water supply or inadequate supply of air;
- Damage or failure resulting from operating the Product in a corrosive atmosphere or contrary to the instructions outlined in the Product's owner's manual;
- Damage or failure to the Product caused by accidents, pests and vermin, lightning, wind, fire, floods, acts of God, or any other causes beyond the control of LGECI or the manufacturer;
- Damage or failure resulting from misuse, abuse, improper installation, repair, or maintenance of the Product. Improper repair includes use of parts not authorized or specified by LGECI. Improper installation or maintenance includes installation or maintenance contrary to the Product's owner's manual;
- Damage or failure caused by unauthorized modification or alteration of the Product, or if used for other than the intended household purpose/use of the Product, or damage or failure resulting from any water leakage due to improper installation of the Product;
- Damage or failure caused by incorrect electrical current, voltage or plumbing codes;
- Damage or failure caused by use that is other than normal household use, including, without limitation, commercial or industrial use, including use in commercial offices or recreational facilities, or as otherwise outlined in the Product's owner's manual;
- Damage or failure caused by the use of any accessories, components or cleaning products, including, without limitation, water filters, that are not approved/authorized by LGECI;
- Replacement of the water filter cartridge due to water pressure that is outside the specified operating range or due to excessive sediment in the water supply;
- Damage or failure caused by transportation and handling, including scratches, dents, chips and/or other damage to the finish of the Product, **unless** such damage results from defects in materials or workmanship and is reported to LGECI within one (1) week of delivery of the Products;
- Damage or missing items to any display, open box, refurbished or discounted Product;
- Refurbished Product or any Product sold "As Is", "Where Is", "With all Faults", or any similar disclaimer;
- Products with original serial numbers that have been removed, altered or cannot be readily determined at the discretion of LGECI;
- Increases in utility costs and additional utility expenses in any way associated with the Product;
- Any noises associated with normal operation of the Product;
- Replacement of light bulbs, filters, fuses or any other consumable parts;
- Replacement of any part that was not originally included with the Product;
- Costs associated with removal and/or reinstallation of the Product for repairs; and
- Shelves, door bins, drawers, handle and accessories to the Product, except for internal/functional parts covered under this Limited Warranty.
- Coverage for "in Home" repairs, for products in-warranty, will be provided if the Product is within a 150 km radius from the nearest authorized service center (ASC), as determined by LG Canada. If your Product is located outside a 150 km radius from a ASC, as determined by LG Canada, it will be your responsibility to bring the Product, at your sole expense, to the ASC for in-warranty repair.

**All costs and expenses associated with the above excluded circumstances, listed under the heading, This Limited Warranty Does Not Cover, shall be borne by the consumer.**

TO OBTAIN WARRANTY SERVICE AND ADDITIONAL INFORMATION, PLEASE CALL OR VISIT OUR WEBSITE:

Call 1-888-542-2623 (7 A.M. to 12 A.M., 365 days a year) and select the appropriate option from the menu, or. Visit our website at <http://www.lg.com>



**PROCEDURE FOR RESOLVING DISPUTES:**

EXCEPT WHERE PROHIBITED AT LAW, ALL DISPUTES BETWEEN YOU AND LG ARISING OUT OF OR RELATING IN ANY WAY TO THIS LIMITED WARRANTY OR THE PRODUCT SHALL BE RESOLVED EXCLUSIVELY THROUGH BINDING ARBITRATION, AND NOT IN A COURT OF GENERAL JURISDICTION. EXCEPT WHERE PROHIBITED AT LAW, YOU AND LG BOTH IRREVOCABLY AGREE TO WAIVE THE RIGHT TO A JURY TRIAL AND TO BRING OR PARTICIPATE IN A CLASS ACTION.

**Definitions.** For the purposes of this section, references to “LG” mean LG Electronics Canada, Inc., its parents, subsidiaries and affiliates, and each of their officers, directors, employees, agents, beneficiaries, predecessors in interest, successors, assigns and suppliers; references to “dispute” or “claim” shall include any dispute, claim or controversy of any kind whatsoever (whether based in contract, tort, statute, regulation, ordinance, fraud, misrepresentation or any other legal or equitable theory) arising out of or relating in any way to the sale, condition or performance of the product or this Limited Warranty.

**Notice of Dispute.** In the event you intend to commence an arbitration proceeding, you must first notify LG in writing at least 30 days in advance of initiating the arbitration by sending a letter to LGECI Legal Team at 20 Norelco Drive, North York, Ontario, Canada M9L 2X6 (the “Notice of Dispute”). You and LG agree to engage in good faith discussions in an attempt to amicably resolve your claim. The notice must provide your name, address, and telephone number; identify the product that is the subject of the claim; and describe the nature of the claim and the relief being sought. If you and LG are unable to resolve the dispute within 30 days of LG’s receipt of the Notice of Dispute, the dispute shall be resolved by binding arbitration in accordance with the procedure set out herein. You and LG both agree that, during the arbitration proceeding, the terms (including any amount) of any settlement offer made by either you or LG will not be disclosed to the arbitrator until the arbitrator determines the dispute.

**Agreement to Binding Arbitration and Class Action Waiver.** Upon failure to resolve the dispute during the 30 day period after LG’s receipt of the Notice of Dispute, you and LG agree to resolve any claims between you and LG only by binding arbitration on an individual basis, unless you opt out as provided below, or you reside in a jurisdiction that prevents full application of this clause in the circumstances of the claims at issue (in which case if you are a consumer, this clause will only apply if you expressly agree to the arbitration). To the extent permitted by applicable law, any dispute between you and LG shall not be combined or consolidated with a dispute involving any other person’s or entity’s product or claim. More specifically, without limitation of the foregoing, except to the extent such a prohibition is not permitted at law, any dispute between you and LG shall not under any circumstances proceed as part of a class or representative action. Instead of arbitration, either party may bring an individual action in small claims court, but that small claims court action may not be brought on a class or representative basis except to the extent this prohibition is not permitted at law in your province or territory of jurisdiction as it relates to the claims at issue between you and LG.

**Arbitration Rules and Procedures.** To begin arbitration of a claim, either you or LG must make a written demand for arbitration. The arbitration will be private and confidential, and conducted on a simplified and expedited basis before a single arbitrator chosen by the parties under the provincial or territorial commercial arbitration law and rules of the province or territory of your residence. You must also send a copy of your written demand to LG at LG Electronics, Canada, Inc., Attn: Legal Department- Arbitration, 20 Norelco Drive, North York, Ontario M9L 2X6. This arbitration provision is governed by your applicable provincial or territorial commercial arbitration legislation. Judgment may be entered on the arbitrator’s award in any court of competent jurisdiction. All issues are for the arbitrator to decide, except that, issues relating to the scope and enforceability of the arbitration provision and to the arbitrability of the dispute are for the court to decide. The arbitrator is bound by the terms of this provision.

**Governing Law.** The law of the province or territory of your purchase shall govern this Limited Warranty and any disputes between you and LG except to the extent that such law is preempted by or inconsistent with applicable federal or provincial/territorial law. Should arbitration not be permitted for any claim, action, dispute or controversy between you and LG, you and LG attorn to the exclusive jurisdiction of the courts of the province or territory of your purchase for the resolution of the claim, action, dispute or controversy between you and LG.

**Fees/Costs.** You do not need to pay any fee to begin an arbitration. Upon receipt of your written demand for arbitration, LG will promptly pay all arbitration filing fees unless you seek more than \$25,000 in damages, in which case the payment of these fees will be governed by the applicable arbitration rules. Except as otherwise provided for herein, LG will pay all filing, administration and arbitrator fees for any arbitration initiated in accordance with the applicable arbitration rules and this arbitration provision. If you prevail in the arbitration, LG will pay your attorneys' fees and expenses as long as they are reasonable, by considering factors including, but not limited to, the purchase amount and claim amount. Notwithstanding the foregoing, if applicable law allows for an award of reasonable attorneys' fees and expenses, an arbitrator can award them to the same extent that a court would. If the arbitrator finds either the substance of your claim or the relief sought in the demand is frivolous or brought for an improper purpose (as measured by the applicable laws), then the payment of all arbitration fees will be governed by the applicable arbitration rules. In such a situation, you agree to reimburse LG for all monies previously disbursed by it that are otherwise your obligation to pay under the applicable arbitration rules. Except as otherwise provided for, LG waives any rights it may have to seek attorneys' fees and expenses from you if LG prevails in the arbitration.

**Hearings and Location.** If your claim is for \$25,000 or less, you may choose to have the arbitration conducted solely (1) on the basis of documents submitted to the arbitrator, (2) through a telephonic hearing, or (3) by an in-person hearing as established by the applicable arbitration rules. If your claim exceeds \$25,000, the right to a hearing will be determined by the applicable arbitration rules. Any in-person arbitration hearings will be held at the nearest, most mutually-convenient arbitration location available within the province or territory in which you reside unless you and LG both agree to another location or agree to a telephonic arbitration.

**Severability and Waiver.** If any portion of this Limited Warranty (including these arbitration procedures) is unenforceable, the remaining provisions will continue in full force and effect to the maximum extent permitted by applicable law. Should LG fail to enforce strict performance of any provision of this Limited Warranty (including these arbitration procedures), it does not mean that LG intends to waive or has waived any provision or part of this Limited Warranty.

**Opt Out.** You may opt out of this dispute resolution procedure. If you opt out, neither you nor LG can require the other to participate in an arbitration proceeding. To opt out, you must send notice to LG no later than 30 calendar days from the date of the first consumer purchaser's purchase of the product by either (i) sending an e-mail to [optout@lge.com](mailto:optout@lge.com), with the subject line: "Arbitration Opt Out;" or (ii) calling 1-800-980-2973. You must include in the opt out e-mail or provide by telephone: (a) your name and address; (b) the date on which the product was purchased; (c) the product model name or model number; and

(d) the serial number (the serial number can be found (i) on the product; or (ii) online by accessing [https://www.lg.com/ca\\_en/support/repair-service/schedule-repair](https://www.lg.com/ca_en/support/repair-service/schedule-repair) and clicking on "Find My Model & Serial Number").

In the event that you "Opt Out", the law of the province or territory of your residence shall govern this Limited Warranty and any disputes between you and LG except to the extent that such law is preempted by or inconsistent with applicable federal or provincial/territorial law. Should arbitration not be permitted for any claim, action, dispute or controversy between you and LG, you and LG agree to attorn to the exclusive jurisdiction of the courts of the province or territory of your residence for the resolution of the claim, action, dispute or controversy between you and LG.

You may only opt out of the dispute resolution procedure in the manner described above (that is, by e-mail or telephone); no other form of notice will be effective to opt out of this dispute resolution procedure. Opting out of this dispute resolution procedure will not affect the coverage of the Limited Warranty in any way, and you will continue to enjoy the full benefits of the Limited Warranty. If you keep this product and do not opt out, then you accept all terms and conditions of the arbitration provision described above.

**Conflict of Terms.** In the event of a conflict or inconsistency between the terms of this Limited Warranty and the End User License Agreement ("EULA") in regards to dispute resolution, the terms of this Limited Warranty shall control and govern the rights and obligations of the parties and shall take precedence over the EULA.





# MANUEL DU PROPRIÉTAIRE

# RÉFRIGÉRATEUR

FRANÇAIS

**Veillez lire attentivement le présent manuel de l'utilisateur avant de faire fonctionner l'appareil et conservez-le à portée de la main pour le consulter en tout temps.**

[www.lg.com](http://www.lg.com)

Copyright © 2020 LG Electronics Inc. Tous droits réservés.

# TABLE DES MATIÈRES

## 3 CARACTÉRISTIQUES DU PRODUIT

---

## 4 CONSIGNES DE SÉCURITÉ

---

4 CONSIGNES DE SÉCURITÉ IMPORTANTES

## 8 CARACTÉRISTIQUES DU PRODUIT

---

## 9 APERÇU DU PRODUIT

---

9 Extérieur  
10 Intérieur  
11 Le Contenants pour kimchi

## 12 INSTALLATION

---

12 Aperçu de l'installation  
13 Déballage du réfrigérateur  
13 Choix de l'emplacement adéquat  
14 Retrait et assemblage des portes et des tiroirs  
18 Nivellement et alignement de la porte  
18 Mise en marche

## 19 FONCTIONNEMENT

---

19 Avant l'utilisation  
20 Panneau de contrôle  
29 Stockage des aliments  
32 Compartiments de gauche / de droite  
33 Tiroirs à CustomChill™  
33 Réglage des étagères du réfrigérateur

## 34 FONCTIONS INTELLIGENTES

---

34 Application LG ThinQ  
37 Fonction Smart Diagnosis<sup>MC</sup>

## 38 ENTRETIEN

---

38 Nettoyage

## 40 DÉPANNAGE

---

40 Avant d'appeler le réparateur

## 46 GARANTIE LIMITÉE

---

# CARACTÉRISTIQUES DU PRODUIT

Selon le modèle, certaines des fonctions suivantes pourraient ne pas être offertes.

## AVERTISSEUR DE PORTE OUVERTE

L'avertisseur de porte ouverte est conçu pour prévenir un dysfonctionnement du réfrigérateur, qui pourrait se produire si l'une des portes du réfrigérateur ou le tiroir du congélateur demeure ouvert. Si l'une des portes du réfrigérateur ou le tiroir du congélateur demeure ouvert pendant plus de 60 secondes, un signal sonore d'avertissement se fait entendre à des intervalles de 30 secondes.

## CHARNIÈRE À FERMETURE AUTOMATIQUE

Les portes du réfrigérateur et le tiroir du congélateur se ferment automatiquement à l'aide d'une légère poussée. (Les portes se ferment automatiquement seulement lorsqu'elles sont ouvertes à un angle de moins de 30°.)

## TIROIRS À CUSTOMCHILL™

Les tiroirs à CustomChill™ offrent un espace de stockage avec contrôle de température variable qui maintient cet espace à une température inférieure ou supérieure à celle du réfrigérateur. Utilisez-les pour stocker de la viande et des fruits de mer, des aliments frais, du riz ou des céréales.

## COMPARTIMENTS POLYVALENTS PRATIQUES

La température des tiroirs peut être réglée pour contenir du kimchi, aliments frais, viande, poisson, riz ou céréales. Utilisez les compartiments gauche et droit situés en haut de l'appareil pour réfrigérer des aliments frais ou du kimchi.

## FERMENTATION ET STOCKAGE DU KIMCHI DANS UN SEUL ÉLECTROMÉNAGER

Les deux compartiments ont leurs propres commandes de température qui peuvent être réglées sur la fermentation ou le stockage du kimchi.

## DES CONTENANTS POUR KIMCHI FACILES À UTILISER

Les contenants pour kimchi exclusifs LOCK&LOCK sont hermétiques et faciles à utiliser pour conserver la fraîcheur du kimchi plus longtemps.

# CONSIGNES DE SÉCURITÉ

## LISEZ TOUTES LES CONSIGNES AVANT L'UTILISATION

### Il est très important d'assurer votre sécurité et celle des autres.

Nous fournissons de nombreux conseils de sécurité importants dans ce manuel et sur votre appareil. Lisez toujours l'ensemble des messages de sécurité et respectez-les.

Ceci est le symbole d'alerte de sécurité.



Ce symbole est destiné à vous alerter des dangers potentiels pouvant entraîner la mort ou des blessures.

Tous les messages de sécurité seront précédés du symbole d'alerte de sécurité et du terme AVERTISSEMENT ou MISE EN GARDE.

Voici le message que ces mots véhiculent :



### AVERTISSEMENTS

Vous pouvez être tué ou grièvement blessé si vous ne suivez pas les consignes.



### MISE EN GARDE

Vous pouvez être légèrement blessé ou pouvez endommager le produit si vous ne suivez pas les consignes.

Tous les messages de sécurité vous indiqueront quel est le danger potentiel, comment réduire les risques de blessures et ce qui peut se produire en cas de non-respect des consignes.

## CONSIGNES DE SÉCURITÉ IMPORTANTES



### AVERTISSEMENTS

**Pour réduire les risques d'explosion, d'incendie, de mort, de décharge électrique, de brûlure ou de blessures lors de l'utilisation de l'appareil, prenez les précautions élémentaires, y compris les suivantes :**

#### INSTALLATION

- Pour réduire le risque de blessures, veuillez suivre toutes les procédures de sécurité recommandées par l'industrie, ce qui inclut le port de lunettes de sécurité et de longs gants.
- N'essayez jamais d'utiliser cet appareil s'il est endommagé, défectueux ou partiellement désassemblé, s'il manque des pièces ou si des pièces, incluant le câble et la fiche, sont endommagées.
- Branchez seulement cet appareil sur une prise électrique mise à la terre dont la valeur nominale convient à celui-ci (115 V, 60 Hz, c.a. uniquement). L'utilisateur est responsable du remplacement de la prise de courant murale standard à deux broches par une prise de courant murale standard à trois broches.
- N'utilisez pas une prise de courant qui peut être mise hors fonction à l'aide d'un interrupteur. N'utilisez pas de rallonge.
- L'appareil doit être placé de façon à ce que la source d'alimentation soit facilement accessible.
- Lorsque vous déplacez l'appareil, soyez prudent et évitez d'écraser le cordon d'alimentation ou de l'endommager.
- Communiquez avec un centre de services autorisé lorsque vous installez l'appareil ou que vous le remplacez à un nouvel endroit.
- Ne coupez ni n'enlevez jamais la broche de mise à la terre du câble d'alimentation.
- Gardez le matériel d'emballage hors de portée des enfants. Le matériel d'emballage pose un danger pour les enfants. Il y a un risque de suffocation.
- N'installez pas l'appareil dans un endroit humide ou poussiéreux, là où les matériaux isolants qui se trouvent sur les composants électriques pourraient se détériorer.

- N'exposez pas l'appareil directement à la lumière du soleil ni à la chaleur produite par des appareils comme un four ou un appareil de chauffage.
- Ne pliez pas ou ne pincez pas le cordon d'alimentation de façon excessive; ne placez pas d'objets lourds sur celui-ci.

## FUNCTIONNEMENT

- Cet appareil est conçu pour être utilisé à des fins domestiques et à d'autres fins de ce type, par exemple :
  - dans le coin cuisine du personnel de magasins, de bureaux et d'autres environnements de travail;
  - dans les fermes et par les clients des hôtels, des motels et d'autres environnements de type résidentiel;
  - dans des environnements comme les gîtes;
  - pour des applications dans le domaine de la restauration et de la vente en gros.
- L'appareil n'est pas conçu pour être utilisé à des fins spéciales, comme l'entreposage de médicaments ou de matériaux d'essai, ni pour être utilisé sur des bateaux, etc.
- NE permettez PAS aux enfants de grimper ou de se tenir sur les portes de l'appareil ou les tablettes à l'intérieur de celui-ci, ni de s'accrocher à ces mêmes portes et tablettes. Ils pourraient endommager le réfrigérateur et se blesser sérieusement.
- Ne permettez pas aux enfants de grimper à l'intérieur de l'appareil. Ils pourraient demeurer coincés et suffoquer.
- La surveillance des enfants est requise afin de s'assurer qu'ils ne jouent pas avec l'appareil.
- Gardez vos doigts à distance des zones de coincement; les dégagements entre les portes et les armoires sont inévitablement réduits. Soyez prudent lorsque vous fermez les portes de l'appareil et que des enfants se trouvent à proximité de celui-ci.
- Ne touchez pas les aliments surgelés ou les composants métalliques du congélateur si vos mains sont mouillées ou humides. Cela pourrait entraîner des gelures.
- Ne recongelez pas des aliments surgelés qui ont été complètement décongelés. Cela pourrait être dangereux pour la santé.
- N'utilisez pas de fiche d'adaptation et ne branchez pas la fiche d'alimentation électrique sur une rallonge électrique à prises multiples.
- N'utilisez pas de cordon qui présente des fissures ou des traces d'abrasion sur sa longueur ou encore à l'extrémité de la fiche ou à celle du connecteur. Demandez à un employé d'un centre de services autorisé de remplacer ou de réparer immédiatement tout cordon d'alimentation dénudé, effiloché ou autrement endommagé.
- Ne faites pas fonctionner le réfrigérateur et ne touchez pas le cordon d'alimentation si vos mains sont mouillées.
- Ne modifiez et ne prolongez pas le cordon d'alimentation.
- N'utilisez pas de prises de courant non homologuées. Ne branchez pas l'appareil sur une prise de courant murale si celle-ci est endommagée.
- Ne placez pas vos pieds ou vos mains, ou encore des objets dans les événements d'aération ou au bas du réfrigérateur. Cela pourrait causer des blessures ou provoquer une décharge électrique.
- En cas de fuite de gaz (propane, GPL), assurez-vous que les lieux sont bien ventilés et contactez un centre de services autorisé avant de remettre l'appareil en fonction. Ne touchez pas l'appareil ou son cordon d'alimentation.
- Si un bruit étrange, une odeur particulière ou de la fumée provient de l'appareil, débranchez le cordon d'alimentation sur-le-champ et contactez un centre de services autorisé.
- N'utilisez pas de fusible (comme du cuivre, un fil d'acier), à l'exception d'un fusible standard.
- Ne placez pas et n'utilisez pas d'appareil électrique à l'intérieur de l'appareil, sauf s'il s'agit d'un type d'appareil recommandé par le fabricant.
- Ne placez pas d'animaux vivants à l'intérieur de l'appareil.
- Ne placez pas d'objets lourds ou fragiles, de contenants emplis de liquide, de produits combustibles ou d'objets inflammables (comme des bougies et des lampes) sur l'appareil.
- En cas de branchement sur un circuit protégé par des fusibles, utilisez un fusible temporisé.

- Maintenez libres de toute obstruction les ouvertures de ventilation qui se trouvent dans l'enceinte de l'appareil ou dans la structure intégrée.
- N'utilisez pas de dispositifs mécaniques ou d'autres moyens pour accélérer le processus de dégivrage autres que ceux recommandés par le fabricant.
- N'utilisez pas d'appareils électriques à l'intérieur des compartiments pour nourriture de l'appareil, sauf s'ils sont du type recommandé par le fabricant.
- Ne rangez pas de substances explosives telles que des aérosols avec un gaz propulseur inflammable dans cet appareil.

### ENTRETIEN

- N'utilisez pas de séchoir à cheveux pour sécher l'intérieur de l'appareil.
- N'allumez pas de bougie pour dissiper les odeurs à l'intérieur de l'appareil.
- Si une fuite de frigorigène survient, éloignez les objets inflammables de l'appareil. Assurez-vous que les lieux sont bien ventilés et contactez un centre de services autorisé.
- Éloignez du réfrigérateur toutes les matières et vapeurs inflammables comme l'essence.
- Cet appareil peut être utilisé par des enfants âgés de huit ans et plus, des personnes avec des capacités physiques, sensorielles ou mentales réduites ou des personnes qui ont un manque de connaissances et d'expérience s'ils ont été supervisés ou s'ils ont reçu des instructions pour utiliser l'appareil de façon sécuritaire et s'ils comprennent les risques associés. Les enfants ne devraient pas jouer avec l'appareil. Le nettoyage et l'entretien de l'appareil ne devraient pas être effectués par des enfants laissés sans surveillance.
- Débranchez l'appareil de la fiche d'alimentation avant de le nettoyer ou de le réparer.
- L'éclairage à l'intérieur du réfrigérateur et du congélateur est un éclairage à DEL, et son entretien doit être réalisé par un technicien qualifié.
- Débranchez l'appareil de la fiche d'alimentation immédiatement si une panne de courant ou un orage survient.
- Éteignez l'alimentation de l'appareil si de l'eau ou de la poussière pénètre à l'intérieur de celui-ci. Appelez un agent du centre de services.
- N'entreposez pas, ne démontez pas et ne réparez pas l'appareil vous-même, et ne laissez pas un employé non qualifié le faire.

### MISE AU REBUT

- Les appareils abandonnés sont dangereux, même si cette situation ne dure que quelques jours. Lorsque vous voulez mettre l'appareil au rebut, retirez les matériaux d'emballage des portes ou retirez les portes en laissant les tablettes en place afin que les enfants ne puissent pas grimper facilement à l'intérieur de l'appareil.
- Si vous souhaitez mettre l'appareil au rebut, assurez-vous que le frigorigène a été retiré et qu'il sera éliminé de façon adéquate par un employé d'un centre de services autorisé. Si vous êtes responsable d'une fuite de frigorigène, vous pourriez être passible d'une amende ou d'un emprisonnement en vertu des lois environnementales applicables. La mousse isolante contient des gaz agissant comme agents de gonflement.
- Lorsque vous mettez l'appareil au rebut, retirez le joint d'étanchéité de la porte en laissant les tablettes et les bacs en place, et tenez les enfants à l'écart de l'appareil.

### CONSIGNES DE MISE À LA TERRE

- La connexion incorrecte du conducteur pour relier les appareils à la terre peut créer un risque de décharge électrique. Vérifiez avec un électricien compétent ou un personnel de service si vous n'êtes pas certain que l'appareil est correctement mis à la terre. Ne modifiez pas la fiche fournie avec l'appareil; si elle n'entre pas dans la prise, faites installer une prise appropriée par un électricien compétent.
- Assurez-vous qu'un électricien qualifié examine la prise de courant murale et le câblage, et qu'il confirme que la mise à la terre est adéquate.
- Ne débranchez jamais l'appareil en tirant sur le cordon d'alimentation. Tenez toujours la fiche fermement pour la retirer de la prise. Le non-respect de cette consigne peut endommager le cordon d'alimentation, ce qui peut causer un incendie ou entraîner une décharge électrique.

**RISQUE D'INCENDIE ET MATÉRIAUX INFLAMMABLES**

Cet appareil contient une petite quantité de réfrigérant isobutane (R600a), qui est combustible. Lors du transport et de l'installation de l'appareil, veillez à ce qu'aucune partie du circuit frigorifique ne soit endommagée. En cas de fuite du réfrigérant, celui-ci pourrait s'enflammer ou provoquer une blessure aux yeux. Si une fuite est détectée, éloignez les flammes nues ou les sources potentielles d'inflammation et aérez la pièce dans laquelle l'appareil se trouve pendant plusieurs minutes.

Afin d'éviter la formation d'un mélange d'air et de gaz inflammable en cas de fuite dans le circuit frigorifique, la taille de la pièce dans laquelle l'appareil est utilisé est déterminée selon la quantité de réfrigérant utilisée. La pièce doit avoir une taille de 10,8 pi (1 m) pour chaque 8 g de réfrigérant R600a dans l'appareil. La quantité de réfrigérant qui se trouve dans votre appareil est indiquée sur la plaque d'identification située à l'intérieur de celui-ci. Ne mettez jamais en marche un appareil qui présente des signes de dommages. En cas de doute, consultez votre revendeur.

**! MISE EN GARDE**

**Pour réduire les risques de blessures mineures, de pannes ou de dommages causés à l'appareil ou à la propriété lors de l'utilisation de l'appareil, prenez les précautions élémentaires, y compris les suivantes :**

**INSTALLATION**

- N'installez pas l'appareil à un endroit à partir duquel il risque de tomber.
- L'appareil doit être installé correctement, conformément aux instructions d'installation.

**FONCTIONNEMENT**

- N'utilisez pas d'aérosols à proximité de l'appareil.
- L'appareil est conçu pour être utilisé seulement à des fins domestiques et à d'autres fins de ce type.
- N'appliquez pas une force excessive et ne frappez pas sur toute surface de verre. Ne touchez pas les surfaces de verre si elles sont fissurées ou endommagées.
- Ne placez pas trop d'articles ou des articles trop rapprochés les uns des autres dans les balconnets. Cela pourrait endommager les balconnets ou causer des blessures aux utilisateurs si les articles sont retirés des balconnets avec force.
- Ne placez pas une quantité excessive d'aliments dans l'appareil. Cela pourrait causer des blessures aux utilisateurs ou des dommages matériels.

**ENTRETIEN**

- N'utilisez pas de puissants détergents comme de la cire ou des diluants pour nettoyer l'appareil. Nettoyez-le à l'aide d'un linge doux.
- Retirez les corps étrangers (comme la poussière et l'eau) des zones de contact et des broches de la fiche d'alimentation. N'utilisez pas de linge mouillé ou humide pour nettoyer la fiche.
- Ne vaporisez pas d'eau directement sur les surfaces intérieures ou extérieures de l'appareil.
- Ne nettoyez pas les tablettes ou les couvercles en verre avec de l'eau chaude lorsqu'ils sont froids. Une exposition à un changement brusque de température peut les endommager.

**GARDEZ CES CONSIGNES**

# CARACTÉRISTIQUES DU PRODUIT

L'aspect et les caractéristiques énumérés dans le présent manuel peuvent varier en raison des constantes améliorations apportées au produit.

**Exigences électriques :** 115 V @ 60 Hz

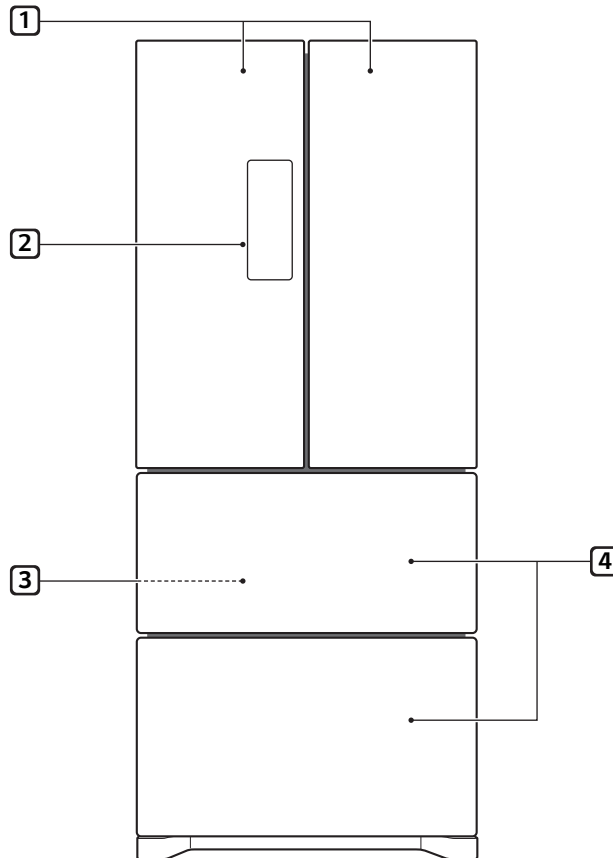
<b>Modèle LRKNS1400V</b>	
<b>Description</b>	Réfrigérateur
<b>Poids net</b>	266 lb (121 kg)



# APERÇU DU PRODUIT

Les illustrations fournies dans ce manuel peuvent être différentes des composants et accessoires réels, lesquels peuvent faire l'objet de modifications par le fabricant sans avis préalable à des fins d'amélioration du produit.

## Extérieur



### 1 Compartiments de gauche et de droite

Réfrigérez des aliments frais ou stockez du kimchi. Consultez la page 28 pour plus d'informations sur l'utilisation des compartiments gauche et droit.

- Les contenants pour kimchi pour les compartiments gauche et droit sont inclus uniquement avec certains modèles.
- Les couvercles résistants au gel pour les compartiments gauche et droit sont inclus uniquement avec certains modèles.

### 2 Panneau de commande

Réglez les commandes en fonction de la température ou du type d'aliment.

- L'aspect et la conception de l'écran et de l'avant des tiroirs varient selon le modèle.

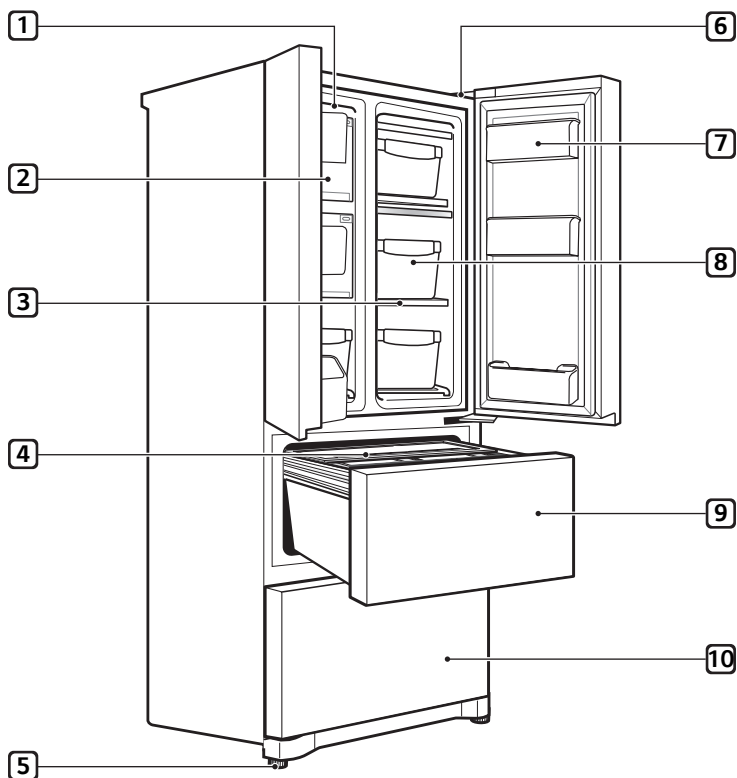
### 3 Interrupteur du tiroir du milieu et du bas

Il détecte l'ouverture ou la fermeture de la tiroirs du milieu et du bas.

- Un signal sonore est émis si le tiroir n'est pas complètement fermé.
- L'interrupteur de la porte est incliné afin qu'il soit adaptable aux différents emplacements des tiroirs du milieu et du bas.

### 4 Tiroir à CustomChill™

## Intérieur



**1** **Éclairage à DEL des compartiments gauche et droit**

L'éclairage s'allume lorsque les portes s'ouvrent.

**2** **Flip-up cover**

**3** **Étagère**

**4** **Balconnet du tiroir**

Conçu pour y ranger les contenants pour kimchi

**5** **Pied de nivellement**

Ajustez la vis pour mettre l'appareil de niveau après l'avoir déplacé ou installé.

**6** **Smart Diagnosis<sup>MC</sup>**

Cette fonctionnalité résout les problèmes selon les schémas d'utilisation.

- Consultez la section Comment utiliser les fonctionnalités intelligentes pour obtenir plus de détails.

**7** **Bac de porte**

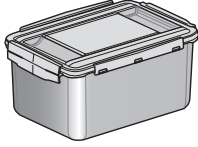
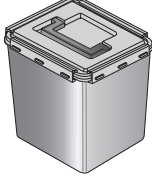
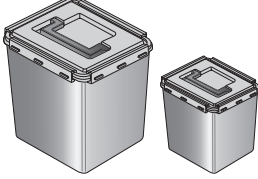
**8** **Le contenant pour kimchi**

Placez les aliments dans le contenant pour kimchi et fermez-le adéquatement avant de le ranger.

**9** **Compartment central**

**10** **Compartment inférieur**

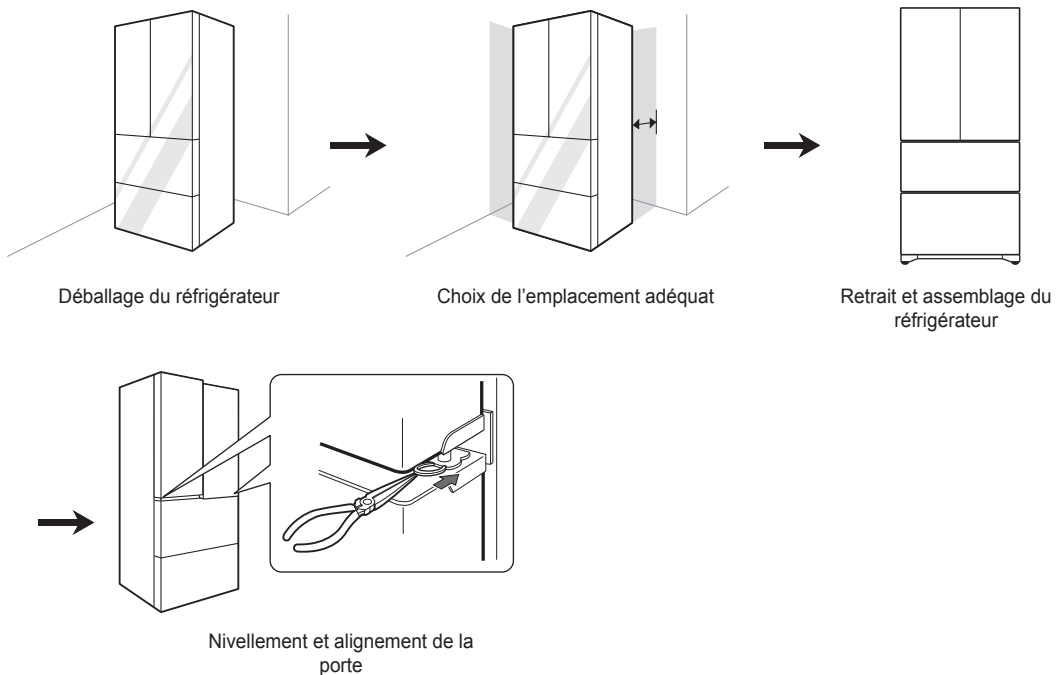
## Le contenants pour kimchi

Le contenant pour kimchi		Contenant	Capacité
Compartiments de gauche /de droite		AKC67523411 : 6 de chaque	2,3 gal (8,8 L)
Compartiment central		AKC67523717 : 4 de chaque	3 gal (11,5 L)
Compartiment inférieur		AKC67523717 : 2 de chaque AKC67523718 : 2 de chaque	3 gal (11,5 L) 1,8 gal (6,7 L)

# INSTALLATION

## Aperçu de l'installation

Veillez d'abord lire ces instructions d'installation après l'achat de ce produit ou son déplacement dans un autre lieu.



## Déballage du réfrigérateur

### ⚠ AVERTISSEMENTS

- Au moins deux personnes sont nécessaires pour déplacer et installer le réfrigérateur. Ne pas le faire pourrait entraîner des blessures, notamment au dos.
- Le réfrigérateur est lourd. Protégez le plancher lors du déplacement du réfrigérateur pour le nettoyage ou l'entretien. Déplacez toujours votre réfrigérateur en position verticale. Ne remuez pas le réfrigérateur et ne le déplacez pas en l'appuyant sur ses coins, car cela pourrait endommager le plancher.
- Éloignez du réfrigérateur toutes les matières et vapeurs inflammables comme l'essence. Le non-respect de cette consigne peut se traduire par un incendie, une explosion ou un décès.

### REMARQUES

- Retirez le ruban et les étiquettes temporaires de votre réfrigérateur avant l'utilisation. N'enlevez pas les étiquettes d'avertissement, l'étiquette du numéro de modèle et de série ou la fiche technique qui se trouve sous l'avant du réfrigérateur.
- Pour supprimer des résidus de ruban adhésif ou de colle, frottez vigoureusement la surface avec le pouce. Les résidus de ruban adhésif ou de colle peuvent également être enlevés en frottant une petite quantité de savon à vaisselle liquide sur l'adhésif avec les doigts. Essuyez avec de l'eau chaude, puis séchez.
- N'utilisez pas d'instruments tranchants, d'alcool à friction, de liquides inflammables ou de nettoyants abrasifs pour enlever du ruban adhésif ou de la colle. Ces produits peuvent endommager la surface de votre réfrigérateur.
- Réinstallez ou ajustez les étagères à votre guise. Les étagères des réfrigérateurs sont installées de façon à faciliter le transport. Réinstallez les étagères selon vos besoins de rangement.

## Choix de l'emplacement adéquat

### Électricité

Le réfrigérateur doit être branché sur sa propre prise de courant mise à la terre, d'une valeur nominale de 115 volts, de 60 Hz, c.a. et de 15 ampères, au minimum.

### ⚠ AVERTISSEMENTS

- Ne surchargez pas le câblage de la maison et ne provoquez pas d'incendie en branchant plusieurs appareils dans la même prise avec le réfrigérateur.
- Pour réduire le risque de choc électrique, n'installez pas le réfrigérateur dans un endroit mouillé ou humide.

### Plancher

Pour éviter le bruit et les vibrations, l'appareil doit être installé et mis à niveau sur un plancher stable. Au besoin, ajustez les pieds de nivellement pour compenser les inégalités du sol.

### REMARQUES

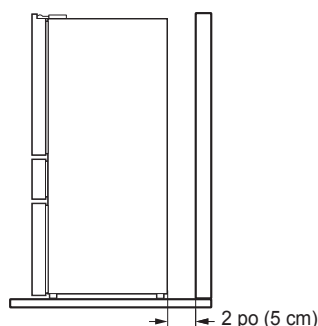
- L'installation sur des tapis, des surfaces molles, une plate-forme ou une structure faiblement soutenue n'est pas conseillée.

### Température ambiante

Installez cet appareil dans un endroit où la température est comprise entre 13 °C (55 °F) et 43 °C (110 °F).

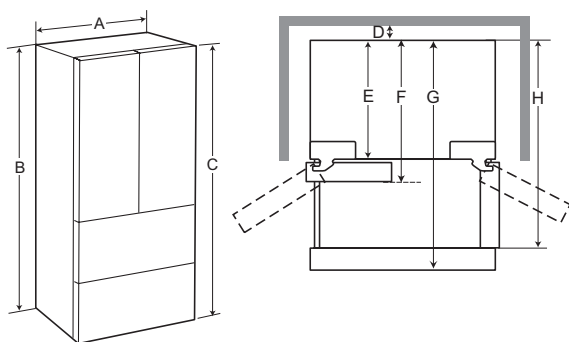
Si la température autour de l'appareil est trop basse ou trop élevée, la capacité de refroidissement peut être affectée.

- 1 Placez votre appareil là où il est facile à utiliser.
- 2 Évitez de placer l'appareil à proximité des sources de chaleur, de la lumière directe du soleil ou de l'humidité.
- 3 Pour assurer une bonne circulation de l'air autour du réfrigérateur, maintenez suffisamment d'espace sur les deux côtés et sur le dessus. Gardez 2 pouces (5 cm) de distance avec le mur arrière.
- 4 Pour éviter des vibrations excessives, l'appareil doit être mis à niveau.
- 5 N'installez pas l'appareil là où la température ambiante est en dessous de 5 °C (41 °F). Cela pourrait affecter la performance.



## Dimensions et dégagements

- Vérifiez les dimensions de l'appareil et celles des ouvertures et des portes par lesquelles il passera lors de son installation afin de vous assurer qu'il y a suffisamment d'espace pour le déplacer.
- Si une ouverture est trop étroite pour laisser passer le réfrigérateur, retirez les portes. Lisez la section Retrait et assemblage des portes et des tiroirs de ce manuel.
- L'endroit choisi pour installer le réfrigérateur doit offrir assez d'espace derrière celui-ci pour assurer une ventilation et des branchements adéquats, et suffisamment d'espace à l'avant pour ouvrir les portes et tiroirs.
- Si l'appareil est installé trop près des éléments adjacents, cela peut réduire la capacité de congélation et augmenter la consommation d'électricité. Laissez au moins 575 mm (22.6 pouces) à l'avant du réfrigérateur pour ouvrir les portes et au moins 50,8 mm (2 pouces) entre l'arrière du réfrigérateur et le mur.



-	Dimensions/ dégagements	LRKNS1400V
A	Largeur	29 1/2" (750 mm)
B	Hauteur jusqu'au-dessus de la caisse	70" (1756 mm)
C	Hauteur	70 3/4" (1797 mm)
D	Espace libre à l'arrière	2" (50 mm)
E	Profondeur sans la porte	26 7/8" (682 mm)
F	Profondeur	31 1/2" (801 mm)
G	Profondeur (au total, avec le tiroir du ouvert)	49 1/2" (1259 mm)
H	Profondeur (au total, avec la porte ouverte à 90°)	44 5/8" (1134 mm)

## Retrait et assemblage des portes et des tiroirs

Si votre porte d'entrée est trop étroite pour permettre le passage du réfrigérateur, retirez les portes du réfrigérateur et déplacez le réfrigérateur latéralement à travers la porte.

### ⚠ AVERTISSEMENTS

- Au moins deux personnes sont nécessaires pour installer ou retirer les portes du réfrigérateur et le tiroir du congélateur.
- Débranchez l'alimentation électrique du réfrigérateur avant l'installation.
- Ne placez pas vos mains, vos pieds ou des objets dans les événements d'aération ou au bas du réfrigérateur.
- Soyez prudent en manipulant la charnière et son levier.
- Retirez les aliments et les balconnets avant de démonter les portes et le tiroir.
- Si vous retirez ou remplacez les portes ou le tiroir, ne les tenez pas par la poignée, car celle-ci pourrait se détacher.

### Outils nécessaires

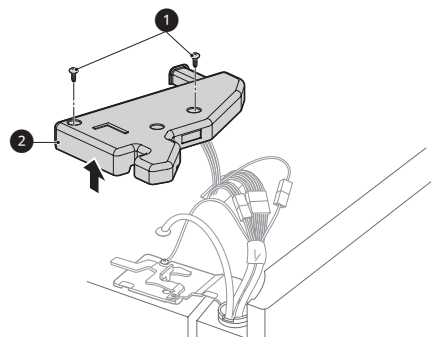
Clé Allen de 3/32 po

Clé Allen de 1/8 po

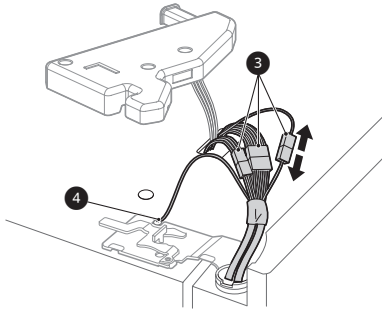
Clé Allen de 1/4 po

## Retrait de la porte gauche du réfrigérateur

- 1 Retirez la vis ① du couvercle de la charnière en haut du réfrigérateur. Soulevez le crochet (non visible), situé sur la partie inférieure du côté avant du couvercle ② à l'aide d'un tournevis à tête plate.



- 2 Enlevez le couvercle. Débranchez tous les faisceaux électriques ③. Dévissez le fil de masse ④.



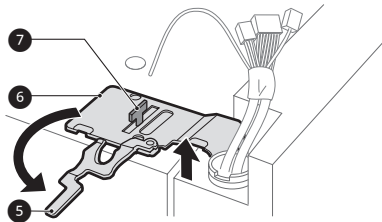
**REMARQUE**

- Le nombre de faisceaux électriques peut varier selon le modèle.

- 3 Faites pivoter le levier de la charnière ⑤ dans le sens anti-horaire. Soulevez la charnière supérieure ⑥ et retirez-la du loquet du levier de la charnière ⑦.

**⚠ MISE EN GARDE**

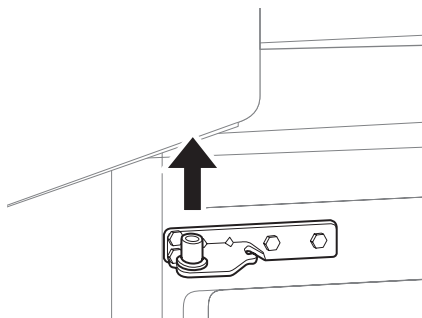
- Au moment de soulever la charnière pour la dégager, veillez à ce que la porte ne tombe pas vers l'avant.



- 4 Soulevez la porte de l'axe de la charnière centrale et retirez-la.

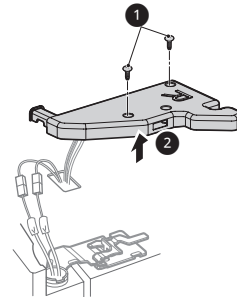
**⚠ MISE EN GARDE**

- Placez la porte, avec l'intérieur orienté vers le haut, sur une surface lisse.

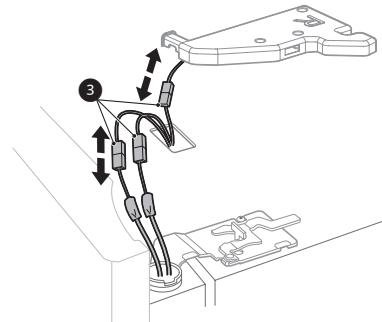


**Retrait de la porte droite du réfrigérateur**

- 1 Enlevez la vis du couvercle de la charnière supérieure ①. Soulevez le crochet (non visible), situé sur la partie inférieure du côté avant du couvercle ②, à l'aide d'un tournevis à tête plate.



- 2 Détachez tous les faisceaux électriques ③.



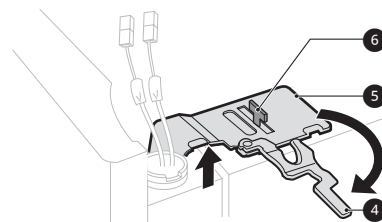
**REMARQUE**

- Le nombre de faisceaux électriques peut varier selon le modèle.

- 3 Faites pivoter le levier de la charnière ④ dans le sens horaire. Soulevez la charnière supérieure ⑤ et retirez-la du loquet du levier de la charnière ⑥.

**⚠ MISE EN GARDE**

- Au moment de soulever la charnière pour la dégager, veillez à ce que la porte ne tombe pas vers l'avant.

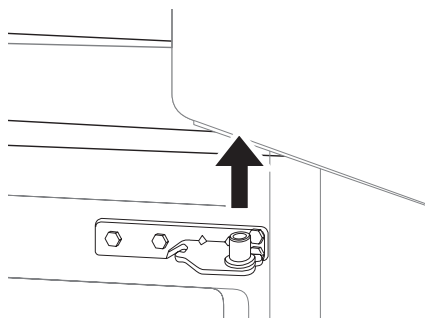


## 16 INSTALLATION

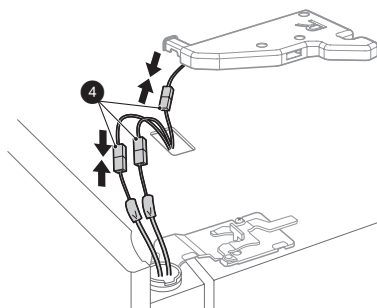
- 4 Soulevez la porte de l'axe de la charnière centrale et retirez-la.

### **!** MISE EN GARDE

- Placez la porte, avec l'intérieur orienté vers le haut, sur une surface lisse.



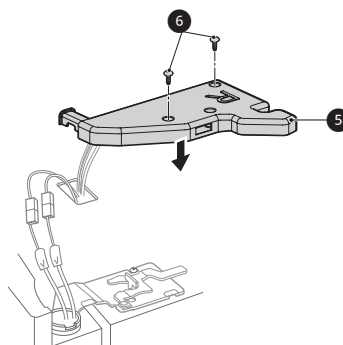
- 3 Branchez les faisceaux électriques 4.



### REMARQUE

- Le nombre de faisceaux électriques peut varier selon le modèle.

- 4 Mettez le couvercle de charnière 5 en place. Insérez et serrez la vis du couvercle 6.

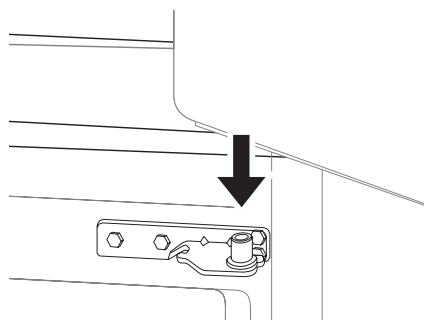


### Installation de la porte droite du réfrigérateur

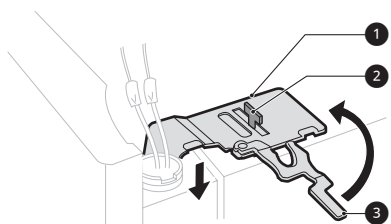
### **!** MISE EN GARDE

- Installez d'abord la porte droite.

- 1 Assurez-vous que le manchon en plastique est inséré dans la partie inférieure de la porte. Abaissez la porte dans la goupille de la charnière centrale, comme sur l'illustration.



- 2 Fixez la charnière 1 sur le verrou à levier de la charnière 2 et insérez-la. Faites pivoter le levier 3 dans le sens anti-horaire pour fixer la charnière.

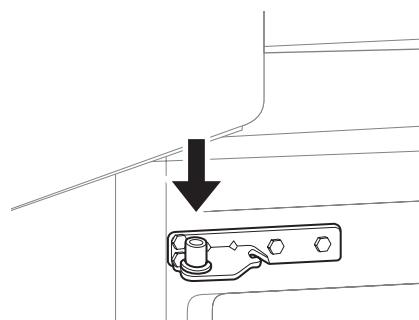


### Installation de la porte gauche du réfrigérateur

### **!** MISE EN GARDE

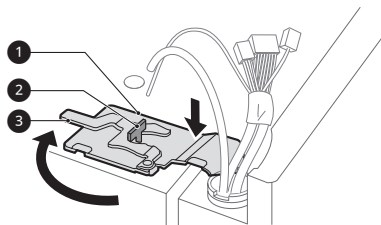
- Installez la porte gauche du réfrigérateur après avoir installé la porte droite.

- 1 Assurez-vous que le manchon en plastique est inséré dans la partie inférieure de la porte. Installez la porte du réfrigérateur dans la charnière centrale.

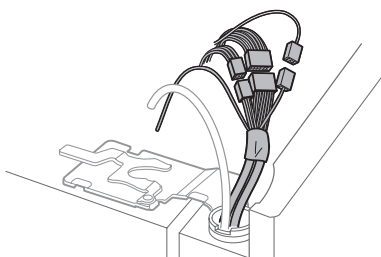




- 2 Fixez la charnière ❶ sur le verrou à levier de la charnière ❷ et insérez-la. Faites pivoter le levier ❸ dans le sens horaire pour fixer la charnière.



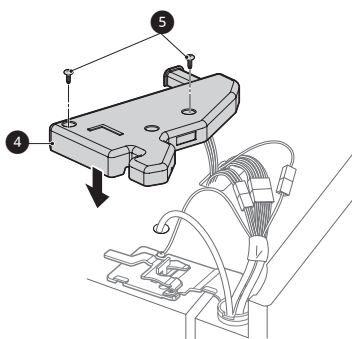
- 3 Branchez tous les faisceaux électriques et la vis de mise à la terre.



#### REMARQUE

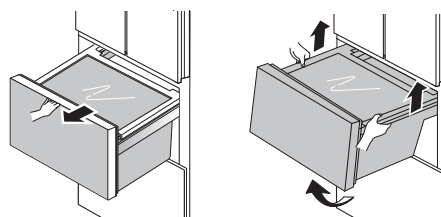
- Le nombre de faisceaux électriques peut varier selon le modèle.

- 4 Mettez le couvercle ❹ en place. Insérez et serrez la vis du couvercle ❺.



## Démontage du tiroir CustomChill

- Ouvrez complètement le tiroir.
- Soulevez légèrement le tiroir et le panier jusqu'à ce qu'ils passent par-dessus les butoirs de sécurité des rails et tirez-les vers l'avant jusqu'à ce qu'ils s'arrêtent.
- Soulevez le panier et le tiroir pour les retirer.

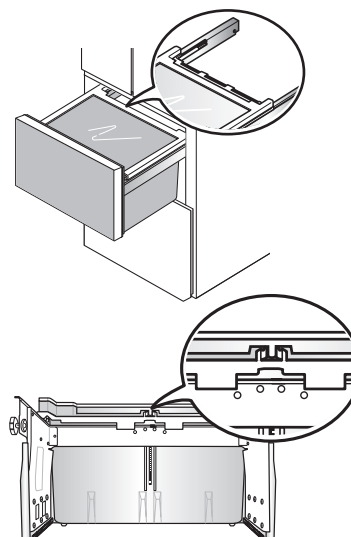


Pour remettre le tiroir en place, alignez-le avec les rails et poussez-le jusqu'à ce qu'il s'arrête. Soulevez-le pour qu'il passe par-dessus les butoirs de sécurité des rails et poussez-le jusqu'à ce qu'il soit parfaitement en place.

- Ouvrez les portes gauche et droite avant de retirer ou d'assembler le tiroir du milieu.
- Les paniers ne peuvent pas être retirés séparément du tiroir du bas ou du milieu. Le panier et le tiroir doivent être retirés en même temps.

### ⚠ MISE EN GARDE

- Soyez prudent lorsque vous retirez le tiroir du bas afin d'éviter toute blessure aux pieds.
- Les paniers et les tiroirs sont lourds. Videz le contenu des tiroirs avant de les retirer ou de les assembler et utilisez la bonne technique lorsque vous les soulevez afin d'éviter les blessures.



## Nivellement et alignement de la porte

La mise à niveau des portes pourrait ne pas être possible lorsque le plancher n'est pas à niveau, ou s'il est peu solide ou mal construit. Le réfrigérateur est lourd et doit être installé sur une surface rigide et solide.

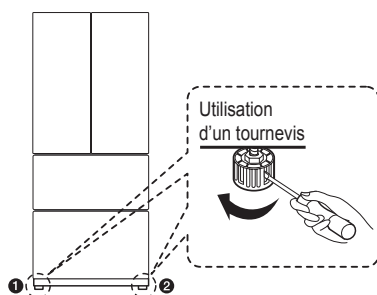
Certains planchers de bois peuvent causer des difficultés de mise à niveau s'ils fléchissent de façon excessive.

### Nivellement

- Si le sol est inégal, mettez le réfrigérateur à niveau pour éviter le bruit et les vibrations.

#### **!** MISE EN GARDE

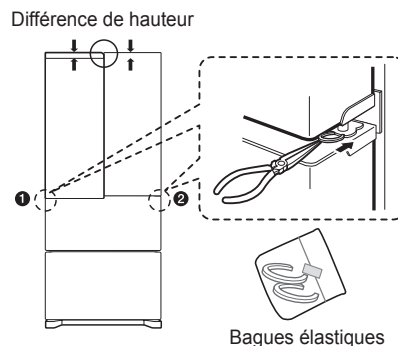
- Réglez la hauteur des pieds de nivellement avant afin qu'ils soient plus bas que les roulettes. Le poids du réfrigérateur doit reposer sur les pieds et non sur les roulettes afin d'éviter tout risque de déplacement ou de basculement.



Pour mettre le réfrigérateur à niveau, utilisez un tournevis pour tourner les pieds de nivellement jusqu'à ce qu'ils soient en contact ferme avec le sol. L'avant du réfrigérateur peut être légèrement plus haut que l'arrière pour faciliter la fermeture des portes.

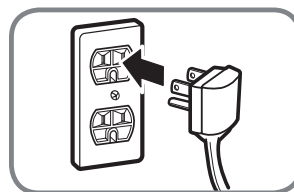
## Alignement de la porte

- Si la porte latérale gauche est plus basse, ajustez la charnière latérale ①.
- Si la porte latérale droite est plus basse, ajustez la charnière latérale ②.
- Des bagues élastiques sont fournies avec cet appareil. Ouvrez la porte et soulevez l'appareil en le tenant par le bas. Insérez les anneaux élastiques, comme il est illustré, jusqu'à ce que les portes soient alignées.



## Mise en marche

- Après l'installation, branchez le cordon d'alimentation du réfrigérateur dans une prise à 3 broches mise à la terre et poussez le réfrigérateur dans sa position finale.

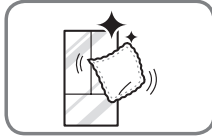


#### **!** MISE EN GARDE

- Branchez-le à une prise de puissance nominale.
- Assurez-vous qu'un électricien qualifié examine la prise de courant murale et le câblage, et qu'il confirme que la mise à la terre est adéquate.
- Ne coupez pas et n'endommagez pas la borne de terre de la prise de courant.

# FONCTIONNEMENT

## Avant l'utilisation

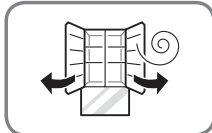


### Nettoyez le réfrigérateur.

Nettoyez le réfrigérateur à fond et enlevez toute la poussière qui s'est accumulée pendant le transport.

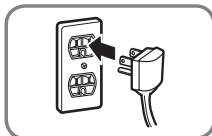
### ⚠ MISE EN GARDE

- Ne grattez pas le réfrigérateur avec un objet pointu et n'utilisez pas de détergent qui contient de l'alcool, du liquide inflammable ou une substance abrasive pour retirer le ruban adhésif ou la colle du réfrigérateur. Enlevez les résidus de colle en les essuyant avec votre pouce ou du détergent à vaisselle.
- Ne retirez pas l'étiquette du numéro de modèle ou de série ou les informations techniques sur la surface arrière du réfrigérateur.



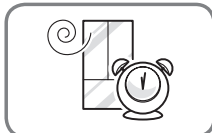
### Ouvrez les portes du réfrigérateur et les tiroirs du congélateur pour ventiler l'intérieur.

L'intérieur du réfrigérateur peut dégager une odeur de plastique au début. Enlevez tout ruban adhésif de l'intérieur du réfrigérateur et ouvrez les portes du réfrigérateur et les tiroirs à des fins de ventilation.



### Branchez l'alimentation.

Vérifiez que l'alimentation est branchée avant l'utilisation.

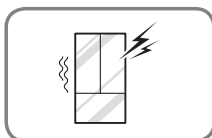


### Attendez que le réfrigérateur refroidisse.

Laissez votre réfrigérateur en marche de deux à trois heures au moins avant d'y mettre des aliments. Vérifiez le flux d'air froid dans le compartiment pour assurer un refroidissement correct.

### ⚠ MISE EN GARDE

- Attendez que les aliments aient refroidi avant de les placer dans le réfrigérateur, sinon ils pourraient se gâter ou laisser une mauvaise odeur tenace à l'intérieur du réfrigérateur.

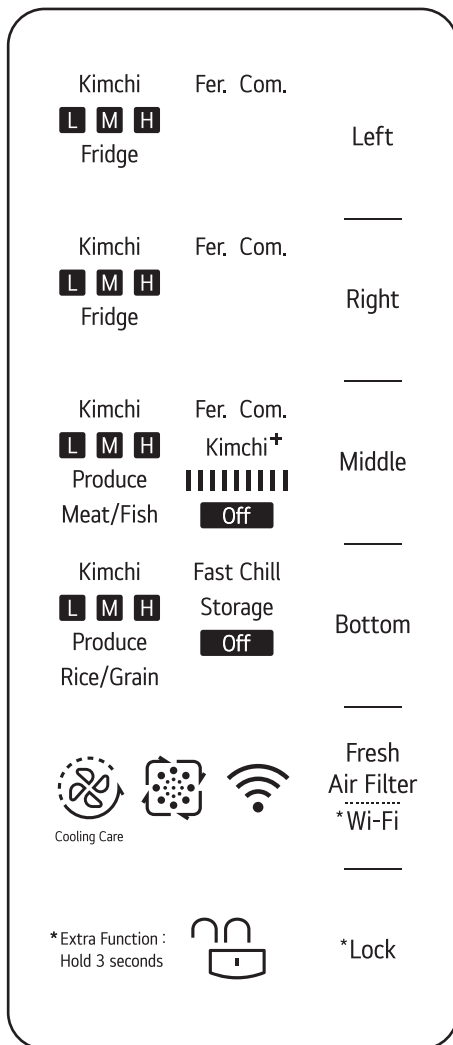


### Le réfrigérateur émet un bruit fort après la mise en marche initiale.



C'est normal. Le volume diminue à mesure que la température baisse.

## Panneau de contrôle


### Caractéristiques du panneau de commande



### Utilisation des touches tactiles

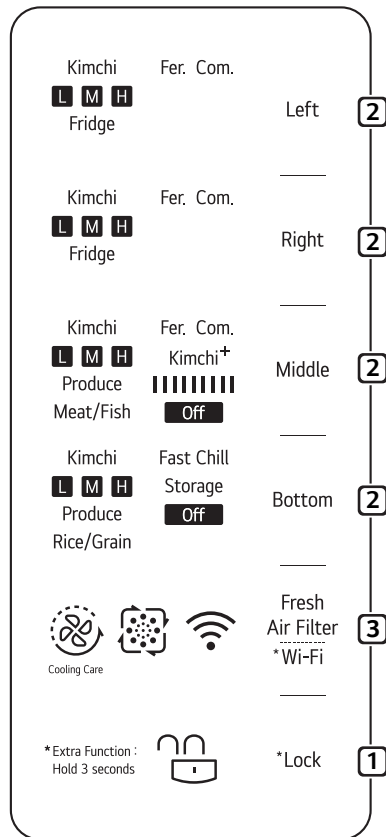
- L'écran tactile réagit à l'électricité statique lorsqu'il détecte un corps ou un objet capacitif à proximité.
- Pour faire fonctionner les touches, appuyez sur le centre du texte de chaque touche avec le bout du doigt.
- L'icône Lock (verrouiller)  ou Unlock (déverrouiller)  apparaît à l'écran en tout temps.
- Les touches peuvent s'activer de manière inattendue si elles entrent en contact avec votre peau pendant le nettoyage de l'appareil ou en d'autres circonstances.
- Si le panneau de commande est sale ou que vous portez des gants, les touches peuvent ne pas s'activer correctement.
- Lorsque l'alimentation du réfrigérateur est connectée, l'affichage est automatiquement allumé.

### REMARQUES

- Selon le modèle, l'apparence de l'affichage et des portes du compartiment central / inférieur peuvent varier selon le modèle.
- Après 60 secondes d'inactivité, tous les voyants de l'écran à l'exception de l'icône Lock (verrouiller)  s'éteignent afin d'économiser de l'énergie. Cela fait partie du fonctionnement normal de l'appareil. Appuyez sur n'importe quelle touche pour réactiver l'écran et afficher les réglages actuels.

Avant de stocker ou de faire fermenter du kimchi, consultez cette section pour vous familiariser davantage avec les pièces et les fonctionnalités du panneau de commande.

Avant d'utiliser le réfrigérateur pour kimchi de LG, appuyez sur la touche Lock/Unlock (verrouiller/déverrouiller) et maintenez-la enfoncée pendant 3 secondes pour déverrouiller l'écran.



### 1 La fonctionnalité Lock (verrouiller) empêche les enfants ou d'autres personnes de modifier les réglages accidentellement.

- Avant de modifier les réglages, appuyez sur la touche Lock (verrouiller) et maintenez-la enfoncée pendant 3 secondes pour déverrouiller l'écran.
- Après avoir modifié les réglages, appuyez sur la touche Lock (verrouiller) et maintenez-la enfoncée pendant 3 secondes pour verrouiller l'écran et empêcher toute modification accidentelle.

### REMARQUES

- La fonctionnalité Lock (verrouiller) verrouille toutes les fonctionnalités de l'écran à l'exception de la touche Lock (verrouiller). Si une touche est enfoncée, l'icône Lock/Unlock (verrouiller/déverrouiller) clignotera 3 fois.
- La fonctionnalité Lock (verrouiller) est activée automatiquement après 60 secondes si le panneau de commande reste inactif.

### 2 Appuyez sur la touche pour sélectionner le mode ou la température de chaque compartiment.

- Réglages offerts pour les compartiments gauche et droit : **Kimchi, Fridge (réfrigérateur) ou Fer. (Fermentation).**
- Réglages offerts pour le compartiment du milieu : **Kimchi, Produce (aliments frais), Meat/Fish (viande/poisson), Kimchi+, Fer. (ermentation) ou Off (arrêt).**
- Réglages offerts pour le compartiment du bas : **Kimchi, Produce (aliments frais), Rice/Grain (riz/céréales), Storage (stockage), Fast Chill (froid rapide) ou Off (arrêt).**

### REMARQUES

- Sélectionnez les réglages appropriés selon les aliments stockés. (Reportez-vous à la méthode de conservation du kimchi à la page 22 pour les méthodes de contrôle détaillées.)

### 3 Appuyez pour régler le mode de filtre à air frais. Appuyez et maintenez enfoncé pour connecter le Wi-Fi.

### REMARQUES

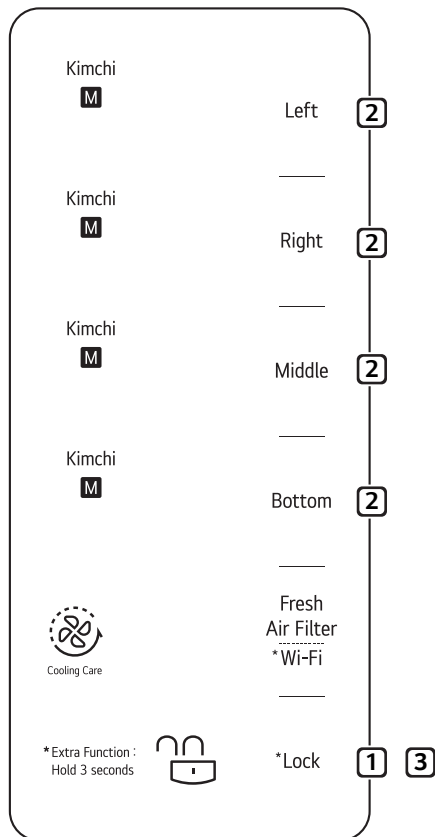
- Avant d'utiliser ces fonctionnalités, vous devez appuyer sur la touche Lock (verrouiller) et la maintenir enfoncée pendant 3 secondes pour déverrouiller l'écran. Rangez les articles dans n'importe quel compartiment et fermentez le kimchi dans les compartiments gauche, droit ou central.
  - Pour faire fermenter du kimchi dans le compartiment du milieu, placez le kimchi dans le tiroir du milieu et appuyez sur la touche du milieu à plusieurs reprises pour sélectionner le réglage de fermentation.

## Stockage de kimchi (Tous les compartiments)

### Conseils pour le stockage du kimchi

Le kimchi peut être préparé avec de nombreux ingrédients différents.

La température de stockage optimale pour le kimchi dépend des principaux ingrédients et de l'assaisonnement utilisés. Utilisez le réglage Low (faible) pour du kimchi ayant une teneur en eau élevée. Utilisez le réglage Strong (fort) pour du kimchi très salé ou très épicé.



#### 1 Déverrouillez l'écran.

- Appuyez sur la touche **Lock** (verrouiller) et maintenez-la enfoncée pendant environ 3 secondes pour déverrouiller l'écran. L'écran doit être déverrouillé avant de pouvoir modifier les réglages.

#### 2 Appuyez sur les touches Left, Right, Middle ou Bottom (gauche, droit, milieu et bas) pour modifier les réglages de chaque compartiment.

- Appuyez sur chaque touche à plusieurs reprises pour faire défiler les réglages de ce compartiment.
- Lorsqu'on appuie sur les touches, les réglages changent dans l'ordre indiqué.

#### Compartiments de gauche et de droite

Kimchi : M → H → L ➡ Fridge (réfrigérateur) :  
M → H → L ➡ Fer. (Fermentation)

#### Compartiment central

Kimchi : M → H → L ➡ Produce (aliments frais) :  
M → H → L ➡ Meat/Fish (viande/poisson)  
➡ Kimchi+ ➡ Fer. (Fermentation) ➡ Off (arrêt)

#### Compartiment inférieur

Kimchi : M → H → L ➡ Produce (aliments frais) :  
M → H → L ➡ Rice/Grain (riz/céréales)  
➡ Storage (stockage) ➡ Fast Chill (froid rapide)  
➡ Off (arrêt)

- Sélectionnez la température appropriée pour le type et la salinité du kimchi
- L = Low Cooling (refroidissement faible [froid])  
M = Medium Cooling (refroidissement moyen [plus froid])  
H = High Cooling (refroidissement élevé [le plus froid])

#### 3 Appuyez sur la touche Lock (verrouiller) pour verrouiller l'écran et commencer le stockage du kimchi.

## Fermentation du kimchi (compartiment gauche / droit / milieu)

### REMARQUES

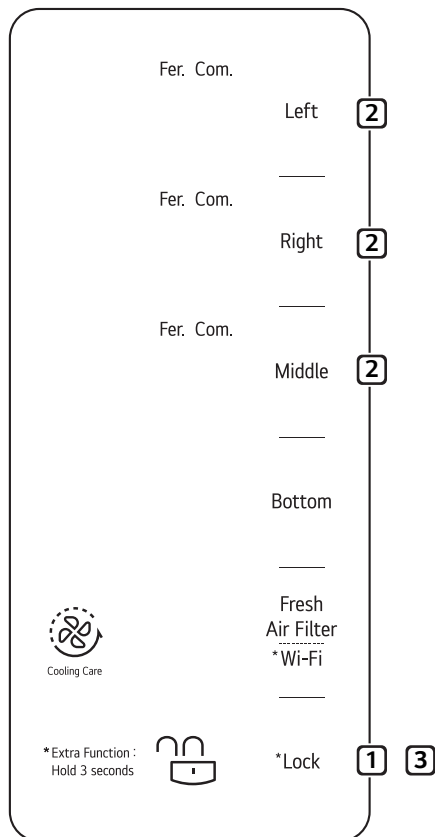
- Le kimchi fermente plus vite lorsqu'il est réglé à Fermentation que lorsqu'il est réglé à Storage (stockage).

### Fermentation

Le réfrigérateur détecte la température extérieure et ajuste automatiquement les réglages de fermentation en fonction des saisons pour obtenir de meilleurs résultats.

### Indicateur de fermentation terminée

Une fois que la fermentation est terminée, un voyant s'allume sur l'écran. Le temps de fermentation varie selon la saison, la température ambiante et la température réglée pour le kimchi (basse/moyenne/élevée).



#### 1 Déverrouillez l'écran.

- Appuyez sur la touche **Lock** (verrouiller) et maintenez-la enfoncée pendant environ 3 secondes pour déverrouiller l'écran. L'écran doit être déverrouillé avant de pouvoir modifier les réglages.

#### 2 Appuyez sur la touche du compartiment désiré pour sélectionner le réglage Fermentation.

- Appuyez sur les touches Left (gauche), Right (droite) ou Middle (milieu) à plusieurs reprises pour sélectionner le réglage Fermentation.

#### 3 Appuyez sur la touche Lock (verrouiller) pour verrouiller l'écran et commencer la fermentation du kimchi.

### Annulation de la fermentation

Pour annuler la fermentation, déverrouillez l'écran et appuyez sur la touche du compartiment pour changer le réglage.

### Stockage du kimchi fermenté

Lorsque la fermentation est terminée, le voyant Fer. Com. (fermentation terminée) s'allume et « Kimchi M » apparaît sur l'écran de la température.

Appuyez sur la touche Lock (verrouiller) pour éteindre l'indicateur et modifier le réglage.

## Réfrigération des aliments (compartiment gauche / droit)

- Seuls les compartiments gauche et droit peuvent être utilisés pour la réfrigération.

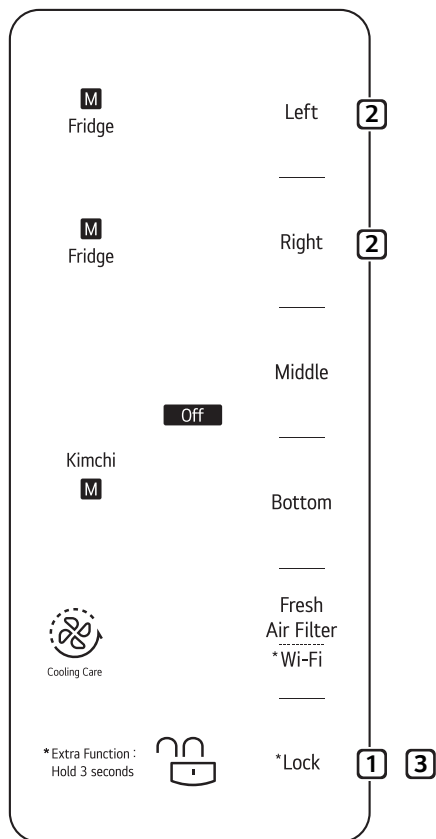
### REMARQUES

- Si du kimchi est stocké alors que l'appareil est réglé sur Fridge (réfrigérateur), il peut fermenter trop rapidement.

### Stockage d'autres aliments

Après avoir stocké le kimchi, des odeurs peuvent rester à l'intérieur des compartiments du réfrigérateur.

Nettoyez les compartiments avant de les utiliser pour stocker d'autres aliments. Consultez la section **Entretien** pour obtenir des directives.



### 1 Déverrouillez l'écran.

- Appuyez sur la touche **Lock** (verrouiller) et maintenez-la enfoncée pendant environ 3 secondes pour déverrouiller l'écran. L'écran doit être déverrouillé avant de pouvoir modifier les réglages.

### 2 Appuyez sur chaque touche à plusieurs reprises pour faire défiler les réglages de ce compartiment.

- Appuyez sur chaque touche à plusieurs reprises pour sélectionner le réglage **Fridge** (réfrigérateur).
- Lorsqu'on appuie sur les touches, les réglages changent dans l'ordre indiqué.

### Compartiments de gauche et de droite

Kimchi : M → H → L ➡ Fridge (réfrigérateur) :  
M → H → L ➡ Fer. (Fermentation)

- L = Low Cooling (refroidissement faible [froid])
- M = Medium Cooling (refroidissement moyen [plus froid])
- H = High Cooling (refroidissement élevé [le plus froid])

### 3 Appuyez sur la touche Lock (verrouiller) pour verrouiller l'écran et commencer la réfrigération.



## Réglages de stockage de la nourriture (compartiments moyens et inférieurs)

- Ce réglage est offert seulement pour les compartiments du milieu et du bas.

### Aliments frais

- Utilisez ce réglage pour conserver les fruits et légumes frais pendant longtemps.

### Viande/poisson

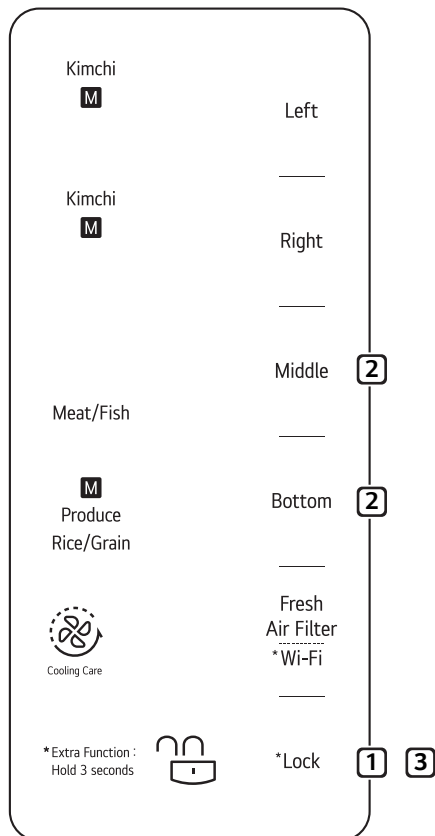
- Utilisez ce réglage pour conserver la viande et le poisson frais.

### Riz/céréales

- Utilisez pour garder le riz et le céréales frais.

### REMARQUES

- Si du kimchi est stocké alors que l'appareil est réglé sur Meat/Fish (viande/poisson), il peut geler.



### 1 Déverrouillez l'écran.

- Appuyez sur la touche **Lock** (verrouiller) et maintenez-la enfoncée pendant environ 3 secondes pour déverrouiller l'écran. L'écran doit être déverrouillé avant de pouvoir modifier les réglages.

### 2 Appuyez sur la touche Middle (milieu) ou Bottom (bas) pour modifier les réglages de chaque compartiment.

- Appuyez sur chaque touche à plusieurs reprises pour sélectionner le réglage souhaité.
- Lorsqu'on appuie sur les touches, les réglages changent dans l'ordre indiqué.

#### Compartiment central

Kimchi : M → H → L ➡ Produce (aliments frais) : M → H → L ➡ Meat/Fish (viande/poisson) ➡ Kimchi+ ➡ Fer. (fermentation) ➡ Off (arrêt)


- Le réglage Meat/Fish (viande/poisson) fait geler légèrement la viande ou le poisson pour prolonger son temps de stockage.

#### Compartiment inférieur

Kimchi : M → H → L ➡ Produce (aliments frais) : M → H → L ➡ Rice/Grain (riz/céréales) ➡ Storage (stockage) ➡ Fast Chill (froid rapide) ➡ Off (arrêt)

- Sélectionnez la température appropriée pour le type d'aliment stocké.
- L = Low Cooling (refroidissement faible [froid])  
M = Medium Cooling (refroidissement moyen [plus froid])  
H = High Cooling (refroidissement élevé [le plus froid])

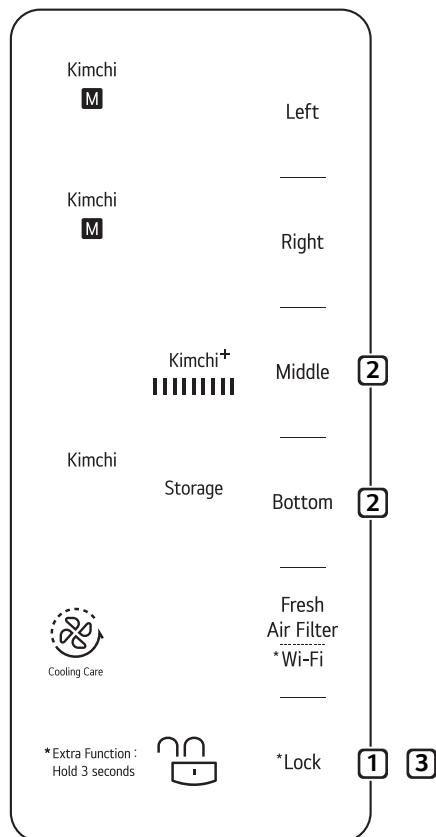
### 3 Appuyez sur la touche Lock (verrouiller) pour verrouiller l'écran et commencer le stockage des aliments.

- Lorsque l'icône Lock (verrouiller)  s'allume, le stockage commence.

## Utilisation de la mode de stockage Kimchi+ (compartiment milieu / bas)

### Kimchi+

- Utilisez ce réglage avec le kimchi au chou. Le refroidissement rapide ralentit la fermentation et favorise la formation d'acide lactique pour conserver le kimchi frais plus longtemps.
  - Ce réglage est offert seulement pour le compartiment du milieu.
  - Utilisez ce réglage seulement pour le chou kimchi. Des types de kimchi moins salés peuvent geler s'ils sont stockés alors
  - Utilisez ce réglage pour du kimchi fraîchement préparé seulement.
  - L'utilisation de ce réglage à deux reprises peut entraîner une surfermentation du kimchi. Utilisez-le une seule fois.
  - Les barres lumineuses indiquent que le processus de fermentation est en cours. Le kimchi est prêt à être dégusté lorsque toutes les barres sont allumées, ce qui prend environ 6 jours.



### Storage (Stockage)

- Ce réglage utilise la fonctionnalité Smart Cold Shock (choc froid intelligent) pour stocker du kimchi à la température la plus basse afin qu'il conserve son goût pendant longtemps.
- Ce réglage est offert seulement pour le compartiment du bas.
- Les légumes peuvent geler s'ils sont stockés alors que ce réglage est utilisé.

#### 1 Déverrouillez l'écran.

- Appuyez sur la touche **Lock** (verrouiller) et maintenez-la enfoncée pendant environ 3 secondes pour déverrouiller l'écran. L'écran doit être déverrouillé avant de pouvoir modifier les réglages.

#### 2 Appuyez sur la touche Middle (milieu) ou Bottom (bas) pour modifier les réglages de chaque compartiment.

- Appuyez sur chaque touche à plusieurs reprises pour sélectionner le réglage Storage (stockage).
- Lorsqu'on appuie sur les touches, les réglages changent dans l'ordre indiqué.

#### Compartiment central (Kimchi+)


Kimchi : M → H → L ➡ Produce (aliments frais) :  
 M → H → L ➡ Meat/Fish (viande/poisson)  
 ➡ Kimchi+ ➡ Fer. (fermentation) ➡ Off (arrêt)

#### Compartiment inférieur (Storage (stockage))

Kimchi : M → H → L ➡ Produce (aliments frais) :  
 M → H → L ➡ Rice/Grain (riz/céréales)  
 ➡ Storage (stockage) ➡ Fast Chill (froid rapide)  
 ➡ Off (arrêt)

- Sélectionnez la température appropriée pour le type d'aliment stocké.
- Lorsque le réglage **Storage** (stockage) est sélectionné, le réglage **Kimchi** est automatiquement activé. Les fruits et légumes peuvent geler s'ils sont stockés alors que ce réglage est utilisé.

#### 3 Appuyez sur la touche Lock (verrouiller) pour verrouiller l'écran.

- Lorsque le voyant situé à côté de la touche passe à , le réglage **Kimchi+** ou Storage (stockage) se met en marche.

### Lors de la réinitialisation de la fonction Kimchi+

- Pour réinitialiser le réglage Kimchi+, annulez le mode Kimchi+ et réinitialisez-le.
  - Niveau 1 (Annuler) : Unlock (déverrouiller) → Kimchi → Lock (verrouiller)
  - Niveau 2 (Réinitialisation) : Unlock (déverrouiller) → Kimchi+ → Lock (verrouiller)

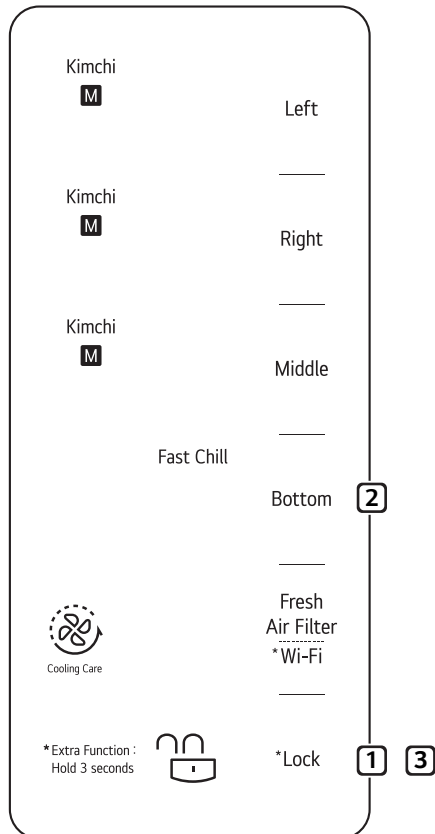
## Utilisez la méthode de stockage Fast Chill (froid rapide) (Compartiment bas).

### Fast Chill (froid rapide)

- Utilisez ce réglage pour stocker du kimchi préparé en magasin. Le kimchi acheté en magasin a déjà été fermenté; il est donc important de le réfrigérer aussi rapidement que possible.

### REMARQUES

- Lorsque vous utilisez la fonctionnalité Fast Chill (froid rapide), assurez-vous de séparer le kimchi acheté en magasin du kimchi déjà stocké. L'utilisation de ce réglage avec du kimchi qui a déjà été réfrigéré peut faire geler le kimchi.



### 1 Appuyez sur la touche Lock (verrouiller) et maintenez-la enfoncée pendant environ 3 secondes.

- Appuyez sur la touche **Lock** (verrouiller) et maintenez-la enfoncée pendant environ 3 secondes pour déverrouiller l'écran. L'écran doit être déverrouillé avant de pouvoir modifier les réglages.


### 2 Appuyez sur la touche du compartiment du bas.

- Appuyez sur la touche **Bottom** (bas) à plusieurs reprises pour sélectionner **Fast Chill** (froid rapide).
- Lorsqu'on appuie sur la touche, les réglages changent dans l'ordre indiqué.

### Compartiment inférieur

- Kimchi : M → H → L ➡ Produce (aliments frais) :
- M → H → L ➡ Rice/Grain (riz/céréales)
- ➡ Storage (stockage) ➡ Fast Chill (froid rapide)
- ➡ Off (arrêt)

### 3 Appuyez sur la touche Lock (verrouiller) pour verrouiller l'écran.

- Lorsque l'icône Lock (verrouiller)  s'allume, le Fast Chill (froid rapide) commence.

### REMARQUES

- Attendez 48 heures avant de réinitialiser le réglage Fast Chill (froid rapide). Pour éviter que le kimchi gèle, le réglage Fast Chill (froid rapide) ne peut pas être réinitialisé dans les 48 heures suivant sa première initialisation.

### Réinitialisation du réglage Fast Chill (froid rapide)

- Pour stocker du kimchi nouvellement acheté, annulez le réglage Fast Chill (froid rapide) et réinitialisez-le .
  - Niveau 1 (annuler) : Unlock (Déverrouiller) → Kimchi → Lock (Verrouiller)
  - Niveau 2 (réinitialiser) : Unlock (Déverrouiller) → Fast Chill (Froid Rapide) → Lock (Verrouiller)

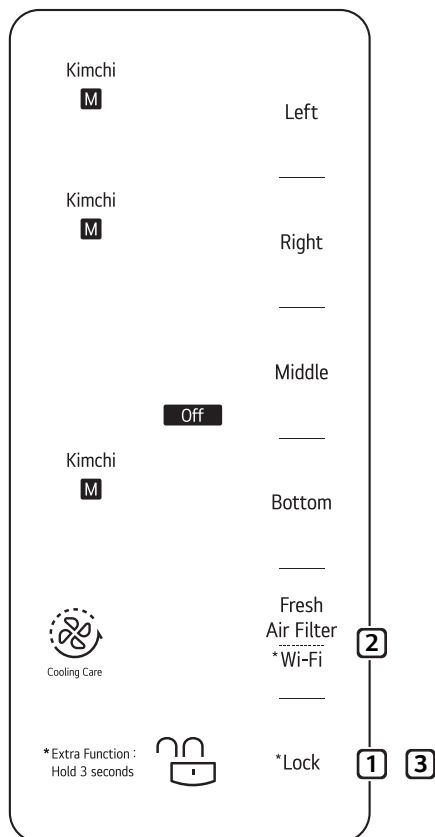
## Utilisation du Fresh Air Filter (filtre à air frais) et du Wi-Fi

### Fresh Air Filter (filtre à air frais)

Utilisez cette fonctionnalité pour améliorer la circulation de l'air et aider à éliminer les odeurs à l'intérieur du réfrigérateur.

### Wi-Fi

Utilisez cette fonction pour connecter le produit à un réseau Wi-Fi domestique et accéder à des fonctions intelligentes par l'application LG ThinQ.



### Réglage de la fonctionnalité Fresh Air Filter (filtre à air frais)

#### 1 Déverrouillez l'écran.

- Appuyez sur la touche **Lock** (verrouiller) et maintenez-la enfoncée pendant environ 3 secondes pour déverrouiller l'écran. L'écran doit être déverrouillé avant de pouvoir modifier les réglages.

#### 2 Appuyez sur la touche Fresh Air Filter/Wi-Fi (filtre à air frais/Wi-Fi).

- Appuyez sur la touche Fresh Air Filter/Wi-Fi (filtre à air frais/Wi-Fi). Le processus de désodorisation s'amorce et le voyant à DEL reste allumé jusqu'à ce qu'il soit terminé.

#### 3 Appuyez sur la touche Lock (verrouiller) pour verrouiller l'écran.

- Une fois que l'écran est verrouillé, le processus de désodorisation s'amorce.

#### REMARQUES

- Après une utilisation répétée, le filtre peut devenir saturé et moins efficace. Consultez la page 33 pour des directives concernant le nettoyage et la réutilisation du filtre.

### Réglage de la fonctionnalité Wi-Fi

#### 1 Déverrouillez l'écran.

- Appuyez sur la touche **Lock** (verrouiller) et maintenez-la enfoncée pendant environ 3 secondes pour déverrouiller l'écran. L'écran doit être déverrouillé avant de pouvoir modifier les réglages.

#### 2 Appuyez sur la touche Fresh Air Filter/Wi-Fi (filtre à air frais/Wi-Fi) et maintenez-la enfoncée pendant 3 secondes.

- Lorsque le produit est bien connecté à Internet, l'icône Wi-Fi s'allume.
- Pour déconnecter le produit du Wi-Fi, utilisez les réglages de l'application pour le supprimer des produits connectés.

## Stockage des aliments

### Conseils pour le stockage des aliments

- **Stocker des légumes et des fruits**  
L'humidité laissée sur les légumes après les avoir lavés peut les gâter plus rapidement. Lavez les légumes juste avant de les consommer. Les légumes verts comme le chou frisé ou la laitue ont une durée de stockage limitée. Enveloppez-les dans du papier journal ou rangez-les dans des contenants scellés pour les aider à conserver leur fraîcheur plus longtemps.
- **Ne stockez pas de fruits tropicaux dans le réfrigérateur.**  
Les températures froides abîment les bananes et les ananas non tranchés.
- Pour ranger les fruits de mer séchés, sélectionnez « Produce » pour le compartiment du milieu et ajustez la température de stockage à « low » (basse).
- Puisque les légumes ou les fruits peuvent congeler dans les compartiments du milieu et du bas, assurez-vous de les ranger dans les compartiments désignés.
- **Pour ranger le riz ou les céréales, utilisez le compartiment inférieur après avoir sélectionné « Rice/Grain » comme type de nourriture.**
- Si les légumes sont rangés dans le compartiment inférieur après avoir sélectionné « Storage », ils pourraient congeler.
- Si le kimchi est rangé dans le compartiment du milieu après avoir sélectionné « Meat/Fish », il pourrait congeler.

### Conseils pour le stockage du kimchi

- **Ne remplissez pas trop les contenants pour kimchi.**  
Laissez au kimchi de l'espace pour se dilater alors qu'il fermente afin qu'il ne déborde pas du contenant. Fermez complètement le couvercle du contenant pour empêcher le kimchi de fermenter trop rapidement ou pour éviter de faire apparaître des levures et des moisissures. Remplissez le contenant de kimchi jusqu'à la ligne et assurez-vous que le couvercle est bien fermé avant de le ranger. Couvrez la surface du kimchi avec une pellicule de plastique pour prolonger sa durée de stockage.
- **Ne rangez pas le kimchi directement dans le compartiment du réfrigérateur et ne le placez pas dans un sac en plastique.**  
Utilisez le contenant pour kimchi fourni pour stocker du kimchi. Le kimchi rangé directement dans le compartiment du réfrigérateur peut geler et perdre son goût. N'obstruez pas la sortie d'air à l'intérieur du réfrigérateur avec des aliments. Cela pourrait faire geler les aliments, affecter le rendement de l'appareil, ou entraîner une décharge électrique ou des blessures.
- **Pour des résultats optimaux, vérifiez l'état du kimchi 3 à 4 jours après l'avoir stocké.**  
Si le kimchi a débordé, il peut fermenter trop rapidement et ne pas bien se stocker.
- **Ne placez pas d'aliments qui nécessitent d'autres conditions de stockage dans le même compartiment.**  
Sélectionnez les réglages appropriés pour les aliments stockés.
- **Assurez-vous d'utiliser suffisamment de sel lors de la préparation du kimchi lorsque celui-ci doit être stocké plus longtemps.**  
Le taux de fermentation est principalement déterminé par la quantité de sel dans le kimchi. De petites portions de kimchi doux peuvent être stockées pendant de courtes périodes, mais ajoutez plus de sel si vous souhaitez en stocker de grandes quantités pour le consommer sur une période prolongée.
- **Soyez prudent lorsque vous rangez des contenants pour kimchi dans le réfrigérateur.**  
Soulevez le contenant par les poignées et évitez de cogner le bas du contenant.  
(L'aspect des contenants pour kimchi peut varier selon le modèle.)

## Un guide pour la préparation du kimchi

- **La première étape de la fermentation du kimchi est le saumurage.**

Le sel réagit avec les enzymes présentes dans le chou pour décomposer les protéines et commencer la fermentation immédiatement. Ce processus se poursuit, même à basse température. Autrefois, le kimchi fermentait lentement sous l'influence des températures froides de l'hiver.

- **Le goût du kimchi dépend aussi de l'assaisonnement utilisé.**

Les assaisonnements typiques comprennent l'oignon vert, l'ail, le gingembre, le poisson salé et la poudre de chili. La combinaison des épices choisies détermine le goût du kimchi.

- **Les taux de fermentation du kimchi**

L'ajout d'une grande quantité d'ail, de fruits de mer, d'oignons, de poudre de chili, de concombre ou d'oignons verts fait fermenter le kimchi plus rapidement. L'ajout d'huîtres salées, de crevettes salées ou de sauce kaki accélère dramatiquement la fermentation. D'autre part, l'ajout de poireaux, de moutarde ou de ginseng ralentit la fermentation.

- **La fermentation du kimchi commence aussitôt qu'il est préparé.**

Le contact avec l'air va rendre le kimchi aigre. Si le kimchi n'est pas recouvert de sauce ou s'il est trop peu salé, une fine couche de levure va se former à sa surface. Évitez que les légumes soient en contact avec l'air en les recouvrant de sauce, en plaçant le kimchi dans un sac en plastique ou en le couvrant d'une pellicule de plastique.

- **Comment la température influence la préparation du kimchi**

La température influence le taux de fermentation du kimchi. Lorsque vous préparez du kimchi dans le but de le stocker à long terme, maintenez la température au-dessous de 50 °F (10 °C).

- **Stockage à long terme du kimchi**

Comme le fromage, le kimchi est un organisme vivant qui va changer au fil du temps. Pour garder le kimchi frais pendant longtemps, augmentez la teneur en sel et stockez-le à basse température, soit aux alentours de 32 °F (0 °C).

Pesez sur les légumes afin qu'ils soient bien recouverts de sauce et couvrez le contenant d'une pellicule de plastique ou d'une couche de feuilles de chou pour protéger le kimchi de l'air et conserver la fraîcheur du kimchi plus longtemps.

- **Le choix du bon chou pour le kimchi**

Il y a plusieurs types de choux offerts. Pour le kimchi, choisissez un chou de taille moyenne qui est arrondi plutôt que long et mince.

Les feuilles intérieures doivent être douces et plus pâles que les feuilles extérieures. Les feuilles extérieures doivent être minces et d'un vert clair.

- **Le choix des radis pour le kimchi**

Il y a beaucoup de types de kimchi aux radis, et différents radis sont utilisés pour différents types de kimchi.

Pour le kimchi aux radis, utilisez des radis coréens qui ont une tête vert pâle et des feuilles bien réparties.

Pour le kimchi aux chonggak (jeunes radis), utilisez des radis de Séoul qui ont une base ronde et épaisse.

Pour le kkakdugi (kimchi aux radis coupés en cubes), essayez de trouver des radis avec une tête blanche plutôt que verte.

Pour le dongchimi, utilisez des radis à feuilles tendres et à tête blanche plutôt que verte.

## Les bonnes techniques de stockage des aliments

- **Stockez le kimchi dans le contenant pour kimchi.**

Remplissez le contenant de kimchi jusqu'à la ligne seulement et assurez-vous que le couvercle est bien fermé avant de le ranger.

Si le couvercle n'est pas fermé adéquatement, une fine pellicule de levure peut se former à la surface du kimchi ou le kimchi peut fermenter trop rapidement. Couvrez la surface du kimchi d'une pellicule de plastique ou d'une couche de feuilles de chou avant de le ranger afin d'empêcher la formation de levure.

- **Stockez les légumes et les fruits dans le contenant prévu à cet effet.**

Certains fruits et légumes peuvent être abîmés par l'air froid. Les légumes qui sont humides après avoir été lavés ont tendance à se gâter plus rapidement. Pour des résultats optimaux, ne lavez pas les légumes avant de les stocker.

Ne réfrigérez pas les fruits tropicaux, comme les bananes ou les ananas, car les températures froides peuvent les abîmer.

- **Laissez les aliments chauds refroidir à température ambiante avant de les réfrigérer.**

Le fait de ranger les aliments chauds directement dans le réfrigérateur peut élever la température des aliments environnants, ce qui peut les gâter et entraîner des factures d'électricité plus coûteuses.

- **Stockage à long terme du kimchi**

Rangez le kimchi fraîchement préparé dans le réfrigérateur et sélectionnez le réglage Kimchi. Selon le type et la salinité du kimchi, sélectionnez le réglage Low (basse), Medium (moyenne) ou High (élevée).

Pour un meilleur stockage prolongé, assurez-vous que les légumes sont complètement submergés dans la sauce et couvrez le kimchi d'une pellicule de plastique.

- **Stockage du kimchi acheté en magasin**

Si le kimchi est consommé dans un court laps de temps, sélectionnez le réglage Fast Chill (froid rapide). Si le kimchi sera stocké pendant une longue période, sélectionnez le réglage Storage (stockage).

- **Avant de stocker les huiles végétales dans le réfrigérateur, lisez les directives de stockage sur le contenant.**

Les bouteilles d'huile végétale peuvent se salir à force d'être utilisées.

Rangez les bouteilles d'huile dans des contenants en plastique jetables ou que vous avez en surplus pour éviter d'avoir à nettoyer les tablettes du réfrigérateur.

- **Sélectionnez la température appropriée pour les aliments stockés.**

Le stockage du kimchi avec le réglage Fermentation peut le gâter.

Certains types de kimchi peuvent geler s'ils sont stockés alors que le réglage High (élevé) est utilisé. Vérifiez régulièrement l'état du kimchi lorsque vous utilisez le réglage High (élevé).

Le fait de stocker d'autres aliments avec du kimchi dans un contenant de stockage peut faire geler les autres aliments.

- **Utilisation des différents contenants**

Pour des résultats optimaux lors de l'utilisation du réglage Fridge (réfrigération), stockez des contenants de taille similaire, de petits contenants, ou des bouteilles.

- Le fait de stocker du kimchi dans le contenant pour kimchi fourni et à l'endroit prévu à cet effet rend le kimchi extrêmement délicieux.
- Ne stockez pas du kimchi dans des bouteilles en verre. Le kimchi se dilate lorsqu'il est congelé et la bouteille peut se briser et entraîner un risque de blessure.
- Ne placez pas de contenants près de la sortie d'air dans le réfrigérateur. Les aliments peuvent geler.

- **Fermentation du kimchi**

Évitez d'ouvrir la porte du compartiment lorsque le kimchi est en processus de fermentation.

Le fait de laisser l'air extérieur plus chaud entrer pendant la fermentation peut affecter le goût du kimchi.

- **Élimination des odeurs alimentaires**

Couvrez les contenants d'aliments ouverts d'une pellicule de plastique avant de les stocker afin d'éviter que des odeurs se répandent à l'intérieur du réfrigérateur.

- **Après son installation, laissez au réfrigérateur du temps pour refroidir complètement avant de stocker des aliments.**

Les aliments peuvent se gâter et causer des odeurs persistantes s'ils sont stockés avant que le réfrigérateur ait eu le temps d'atteindre la température réglée.

## Compartiments de gauche / de droite

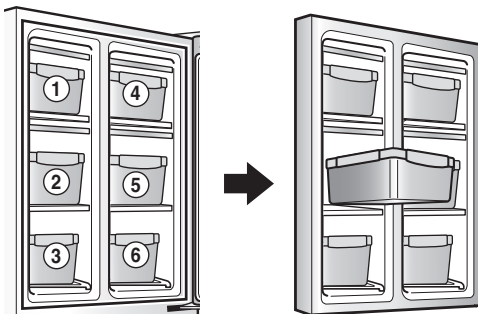
Selon les besoins, réglez la température du compartiment pour le stockage du kimchi ou la réfrigération des aliments.

- Les contenants pour kimchi peuvent être achetés séparément chez un centre de services de LG Electronics.

### Contenant pour kimchi Lock&Lock exclusif

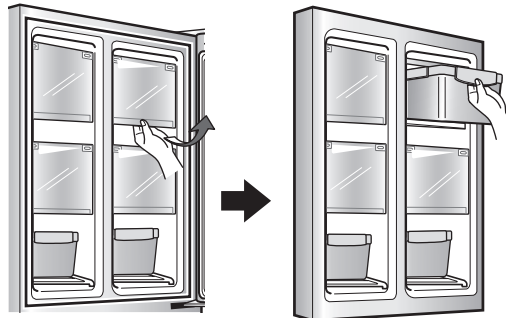
Un contenant pour kimchi peut être rangé sur chaque tablette des compartiments gauche et droit.

- Selon le modèle, les contenants pour kimchi peuvent avoir un aspect différent ou ne pas être inclus.

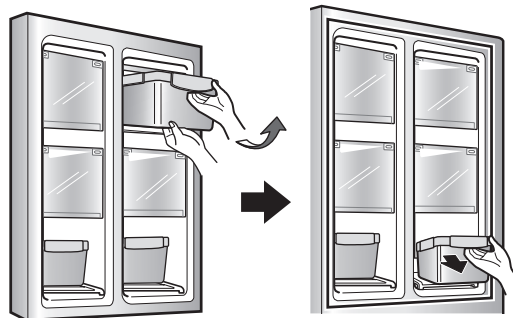


## Retrait des contenants pour kimchi des compartiments gauche et droit

- 1 Tirez le couvercle à languettes vers l'avant pour le dégager, puis poussez-le sous la tablette.



- 2 Prenez les poignées pour tirer le contenant pour kimchi vers l'avant et retirez-le.



### ⚠ MISE EN GARDE

- Soyez prudent lorsque vous déplacez les contenants pour kimchi. S'ils sont pleins, ils peuvent être lourds.



## Tiroirs à CustomChill™

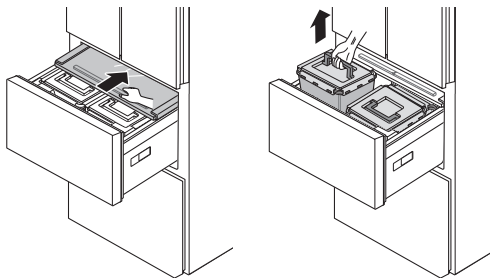
Le tiroir à CustomChill™ offre un espace de stockage avec contrôle de température variable qui peut être réglé pour maintenir cet espace à une température inférieure ou supérieure à celle du réfrigérateur.

Utilisez-les pour stocker de la viande et des fruits de mer, des aliments frais, du riz ou des céréales.

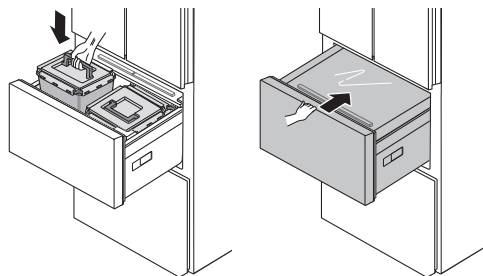
- Dans le tiroir CustomChill se trouve un couvercle de verrouillage de l'air froid.
- Le couvercle de verrouillage de l'air permet de conserver uniformément la température à l'intérieur et de maintenir une humidité adéquate dans le tiroir.

### Utilisation de Tiroirs à CustomChill

- 1 Ouvrez le tiroir et faites glisser doucement le couvercle vers l'arrière. Soulevez les contenants à kimchi par la poignée pour les enlever.



- 2 La fermeture du tiroir ferme automatiquement le couvercle.



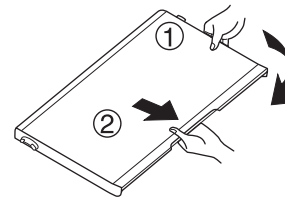
## Réglage des étagères du réfrigérateur

Les étagères de votre réfrigérateur sont ajustables pour répondre à vos besoins de stockage particuliers.

En réglant la hauteur des étagères pour y placer des aliments de différentes tailles, vous retrouverez plus facilement ce que vous cherchez.

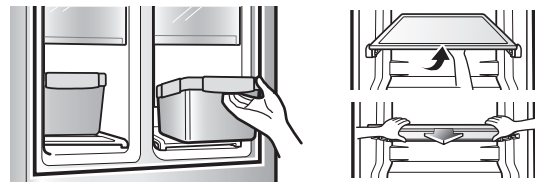
## Retrait de flip-up covers

- Pour enlever le couvercle, ouvrez-le et poussez-le vers un côté pour le faire sortir des rails, puis tirez-le vers l'avant.



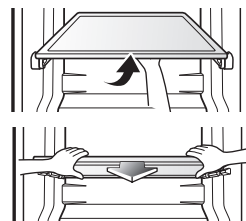
## Retrait de tablettes

- Pour enlever la tablette, soulevez-la par l'arrière et tirez-la vers l'avant.

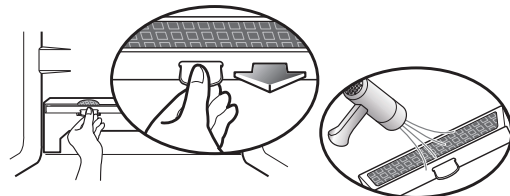


## Retrait de Fresh Air Filter

- 1 Enlevez les tablettes en verre des compartiments gauche et droit.



- 2 Retirez la languette du filtre pour le glisser hors du support. Séchez-le au moyen d'un séchoir à cheveux ou en l'exposant à la lumière du soleil. Le filtre est réutilisable.



### REMARQUES

- Afin d'améliorer le processus de désodorisation, un matériau naturel en bois de palmier est fixé au filtre. Si des résidus tombent, ceux-ci ne seront pas dangereux pour vous et peuvent être nettoyés facilement avec une serviette ou un chiffon.

# FONCTIONS INTELLIGENTES

## Application LG ThinQ

Cette fonction n'est offerte que sur les modèles dotés du Wi-Fi.

L'application **LG ThinQ** vous permet de communiquer avec l'appareil à l'aide d'un téléphone intelligent.

### Caractéristiques de l'application LG ThinQ

#### Messages automatiques

Si la porte reste ouverte pendant plus de dix minutes, vous recevrez un message automatisé.

#### Smart Diagnosis<sup>MC</sup>

Cette fonction fournit des renseignements utiles pour diagnostiquer et résoudre les problèmes avec l'appareil en se basant sur le profil d'utilisation.

#### Paramètres

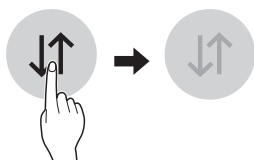
Vous permet de régler diverses options du réfrigérateur et de l'application.

#### REMARQUES

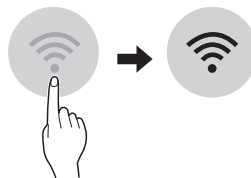
- Si vous changez de routeur sans fil, de fournisseur de services Internet ou de mot de passe, supprimez l'appareil connectée de l'application **LG ThinQ** et reconnectez-la.
- Cette information est à jour au moment de la publication. L'application est sujette à des changements en vue de l'amélioration du produit sans que les utilisateurs n'en soient avisés au préalable.

### Avant d'utiliser l'application LG ThinQ

- 1 Utilisez un téléphone intelligent pour vérifier la force du signal du routeur sans fil (réseau Wi-Fi) à proximité de l'appareil.
  - Si l'appareil est trop éloigné du routeur, le signal peut être faible. Cela peut prendre le temps de connexion ou l'installation peut échouer.
- 2 Désactivez les **Données Mobiles** ou les **Données cellulaires** sur votre téléphone intelligent.



- 3 Connectez votre téléphone intelligent au routeur sans fil.



#### REMARQUES

- Pour connaître l'état du réseau Wi-Fi, vérifiez que l'icône **Wi-Fi** est allumée sur le panneau de configuration.
- L'appareil prend seulement en charge les réseaux Wi-Fi de 2,4 GHz. Pour vérifier la fréquence de votre réseau, contactez votre fournisseur de services Internet ou référez-vous au manuel de votre routeur sans fil.
- **LG ThinQ** n'est pas responsable des problèmes de connexion au réseau ou des défauts, dysfonctionnements ou erreurs causés par la connexion au réseau.
- L'environnement sans fil environnant peut faire en sorte que le service de réseau sans fil fonctionne lentement.
- Si l'appareil a des difficultés à se connecter au réseau Wi-Fi, il est peut-être trop loin du routeur. Procurez-vous un répéteur Wi-Fi (rallonge de portée) pour améliorer la force du signal Wi-Fi.
- La connexion réseau peut ne pas fonctionner correctement selon le fournisseur de services Internet.
- La connexion Wi-Fi peut ne pas se faire ou être interrompue à cause de l'environnement du réseau domestique.
- Si l'appareil ne peut pas être enregistré en raison de problèmes avec la transmission du signal sans fil, débranchez l'appareil et attendez environ une minute avant de réessayer.
- Si le pare-feu de votre routeur sans fil est activé, désactivez-le ou ajoutez-y une exception.
- Le nom du réseau sans fil (SSID) doit être une combinaison de lettres et de chiffres anglais. (N'utilisez pas de caractères spéciaux.)
- L'interface utilisateur (IU) du téléphone intelligent peut varier en fonction du système d'exploitation (SE) mobile et du fabricant.
- Si le protocole de sécurité du routeur est configuré sur **WEP**, la configuration du réseau peut échouer. Veuillez changer le protocole de sécurité (nous recommandons **WPA2**) et reconnectez le produit.

## Installation de l'application LG ThinQ

Trouvez l'application **LG ThinQ** dans la boutique Google Play ou l'App Store d'Apple sur un téléphone intelligent.

- Suivez les directives de téléchargement et d'installation de l'application.

## Connexion à un réseau Wi-Fi

Lorsqu'elle est utilisée avec l'application **LG ThinQ**, la touche **Wi-Fi** permet au réfrigérateur de se connecter au réseau Wi-Fi de votre domicile. L'icône **Wi-Fi** indique l'état de la connexion au réseau du réfrigérateur. Lorsque le réfrigérateur est connecté au réseau Wi-Fi, l'icône s'allume.

## Enregistrement initial de l'appareil

- Exécutez l'application **LG ThinQ** et suivez les directives de l'application pour connecter l'appareil.

## Reconnexion de l'appareil ou ajout d'un autre utilisateur

- Appuyez sur la touche **Wi-Fi** et maintenez-la enfoncée pendant trois secondes pour l'éteindre temporairement. Exécutez l'application **LG ThinQ** et suivez les directives de l'application pour Reconnexion l'appareil.

## REMARQUES

- Pour désactiver la fonction Wi-Fi, maintenez enfoncée la touche **Wi-Fi** pendant trois secondes. L'icône Wi-Fi sera désactivée.

## Caractéristiques du module LAN sans fil

<b>Modèle</b>	LCW-008
<b>Gamme de fréquences</b>	2412 - 2462 MHz
<b>Puissance de sortie max</b>	< 30 dBm

## Avis de la FCC

L'avis suivant se rapporte au module de transmetteur se trouvant dans le produit.

Cet équipement a été testé et jugé conforme aux limites d'un appareil numérique de classe B, conformément à la partie 15 des règles de la FCC. Ces limites sont établies pour fournir une protection raisonnable contre les interférences nuisibles dans une installation résidentielle. Cet équipement produit, utilise et peut émettre de l'énergie radioélectrique et, s'il n'est pas installé et utilisé conformément aux présentes instructions, peut causer des interférences nuisibles aux communications radio. Quoi qu'il en soit, on ne peut pas garantir que des interférences ne se produiront pas dans certaines installations. Si cet appareil cause des interférences nuisibles à la réception de signaux de radio ou de télévision, ce qui peut être déterminé en allumant et en éteignant l'appareil, on encourage l'utilisateur à essayer de corriger ces interférences par l'un des moyens suivants :

- Réorientez ou déplacez l'antenne de réception.
- Augmentez la distance séparant l'équipement du récepteur.
- Branchez l'appareil sur un circuit électrique différent de celui où le récepteur est branché.
- Contactez votre revendeur ou un technicien radio/télévision expérimenté.

Cet appareil est conforme à la partie 15 du règlement de la FCC. Le fonctionnement est soumis aux deux conditions suivantes :

- 1) cet appareil ne doit pas provoquer d'interférences nuisibles;
- 2) cet appareil doit accepter toutes les interférences reçues, y compris celles pouvant entraîner son dysfonctionnement.

Tout changement ou toute modification apportés à cet appareil et qui ne sont pas approuvés de manière explicite par le fabricant sont susceptibles d'annuler l'autorité de l'utilisateur quant à utiliser l'appareil.

## Énoncé FCC sur l'exposition aux radiations RF

Cet équipement est conforme aux limites de radiation de la FCC définies pour un environnement non contrôlé. Cet appareil et sa ou ses antennes ne doivent pas être colocalisés ou opérés en conjonction avec tout autre antenne ou transmetteur.

Cet équipement doit être installé et mis en fonctionnement à une distance minimale de 20 cm (7,8 pouces) entre l'antenne et vous-même. Les utilisateurs doivent suivre les instructions d'utilisation pertinentes afin de respecter les directives en matière d'exposition aux radiofréquences.

## Avis d'Industrie Canada

L'émetteur/récepteur exempt de licence contenu dans le présent appareil est conforme aux CNR d'Innovation, Sciences et Développement économique Canada applicables aux appareils radio exempts de licence. L'exploitation est autorisée aux deux conditions suivantes :

- (1) Cet appareil ne doit pas provoquer d'interférences.
- (2) Cet appareil doit accepter toutes les interférences, y compris celles pouvant entraîner son dysfonctionnement

## Énoncé d'IC concernant l'exposition à la radiation

Cet appareil est conforme aux limites d'exposition aux rayonnements d'Industrie Canada pour un environnement non contrôlé.

Cet appareil doit être installé et utilisé de façon à garder une distance minimale de 20 cm (7,8 pouces) entre la source de rayonnement et votre corps.

### REMARQUES



- LE FABRICANT N'EST PAS RESPONSABLE DES INTERFÉRENCES RADIOÉLECTRIQUES CAUSÉES PAR DES MODIFICATIONS NON AUTORISÉES APPORTÉES À CET APPAREIL. DE TELLES MODIFICATIONS POURRAIENT ANNULER L'AUTORISATION ACCORDÉE À L'UTILISATEUR DE FAIRE FONCTIONNER L'APPAREIL.

## Informations sur les logiciels libres

Pour obtenir le code source conformément aux dispositions de la licence publique générale, de la licence publique générale limitée, de la licence publique Mozilla et de toute autre licence régissant les logiciels à code source libre contenus dans cet appareil, visitez le site <http://opensource.lge.com>. En plus du code source, toutes les dispositions de licence, les exonérations de garantie et les avis de droits d'auteurs peuvent aussi être téléchargés.

LG Electronics mettra également à votre disposition le code source libre sur CD-ROM pour un prix couvrant le coût de la distribution (coût du support, de l'expédition et de la manutention) sur simple demande par courriel à l'adresse [opensource@lge.com](mailto:opensource@lge.com). Cette offre est valable pendant une période de trois ans à compter de la date de la dernière distribution de ce produit. Cette offre est valide pour quiconque possède cette information.

## Fonction Smart Diagnosis<sup>MC</sup>

Cette fonctionnalité est offerte uniquement sur les modèles portant le logo  ou .

Utilisez cette fonctionnalité pour vous aider à diagnostiquer et à résoudre les problèmes qu'éprouve votre appareil.

### REMARQUE

- Pour des raisons ne relevant pas du contrôle de LGE, le service pourrait ne pas fonctionner en raison de facteurs externes, notamment la disponibilité du Wi-Fi, la connexion Wi-Fi, la politique de la boutique d'applications ou la disponibilité de l'application.
- La fonctionnalité pourrait être modifiée sans préavis et pourrait avoir une apparence différente selon votre emplacement.

## Utilisation de l'application LG ThinQ pour diagnostiquer les problèmes

Si vous éprouvez des problèmes avec votre appareil doté du Wi-Fi, vous pouvez transmettre des données de dépannage par téléphone intelligent à l'aide de l'application **LG ThinQ**.

- Lancez l'application **LG ThinQ** et sélectionnez la fonctionnalité Smart Diagnosis qui se trouve dans le menu. Suivez les instructions indiquées dans l'application **LG ThinQ**.

## Utilisation de la fonctionnalité de diagnostic sonore pour diagnostiquer les problèmes

Suivez les instructions ci-dessous pour utiliser la fonctionnalité de diagnostic sonore.

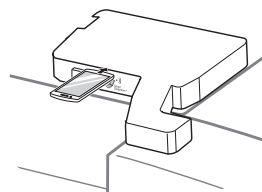
- Lancez l'application **LG ThinQ** et sélectionnez la fonctionnalité Smart Diagnosis qui se trouve dans le menu. Suivez les instructions relatives au diagnostic sonore indiquées dans l'application **LG ThinQ**.

- 1 Appuyez sur le bouton Verrouillage pour activer la fonction de verrouillage.
  - Si l'affichage a été verrouillé pendant plus de cinq minutes, vous devez désactiver le verrou, puis le réactiver.

\* Lock



- 2 Appuyer et maintenir le bouton **Bottom** pendant 3 secondes ou plus.
- 3 Ouvrir la porte du compartiment droit et ensuite approchez le microphone de votre téléphone devant le haut-parleur situé sur la charnière droite de la porte de votre réfrigérateur.



- 4 Maintenez le téléphone dans cette position jusqu'à ce que la transmission de la tonalité soit terminée. Un compte à rebours s'affichera à l'écran. Lorsque le décompte est terminé et que vous n'entendez plus les tonalités, le diagnostic s'affichera dans l'application.

### REMARQUES

- Pour obtenir les meilleurs résultats, évitez de bouger le téléphone pendant la transmission sonore.

# ENTRETIEN

## Nettoyage

### AVERTISSEMENTS

- Utilisez un produit de nettoyage ininflammable. Ne pas le faire pourrait entraîner un incendie, une explosion ou des blessures mortelles.

### MISE EN GARDE

- N'utilisez pas de chiffons ou d'éponges rugueuses pour nettoyer l'intérieur et l'extérieur du réfrigérateur.
- Ne placez pas votre main sur la surface inférieure du réfrigérateur quand vous ouvrez ou fermez les portes.

## Conseils généraux de nettoyage

- Les sections du réfrigérateur et du congélateur se dégivrent automatiquement, mais nettoyez les deux sections une fois par mois pour éviter les odeurs.
- Essuyez immédiatement les aliments renversés.
- Débranchez toujours le réfrigérateur ou coupez le courant avant de le nettoyer.
- Enlevez toutes les pièces amovibles, telles que les tablettes, les bacs à légumes et fruits, etc.
- Utilisez une éponge propre ou un chiffon et un détergent doux avec de l'eau chaude. N'utilisez pas de produits de nettoyage abrasifs ou forts.
- Lavez à la main, rincez et séchez soigneusement toutes les surfaces.

## Extérieur

Pour les appareils avec un extérieur noir en acier inoxydable, vaporisez du nettoyant à vitres sur un linge en microfibre propre et frottez dans le sens du grain. Ne vaporisez pas de nettoyant à vitres directement sur l'écran. N'utilisez pas de produits de nettoyage abrasifs ou forts.

Pour les appareils avec un extérieur en acier inoxydable normal, frottez dans le sens du grain à l'aide d'un linge en microfibre propre et mouillé. Essuyez avec du papier essuie-tout pour éviter les marques. Pour éliminer les taches tenaces et les marques laissées par les doigts, versez quelques gouttes de savon à vaisselle liquide dans de l'eau et lavez la surface avec ce mélange, rincez à l'eau chaude, puis séchez. N'utilisez pas de produits de nettoyage abrasifs ou forts.

## Contenants et Bacs

- Les contenants et les balconnets peuvent se salir facilement à cause de la nourriture renversée. Enlevez-les et rincez-les de temps à autre afin d'éviter l'apparition d'odeurs. Consultez la page 17 pour des directives sur la façon d'enlever les tiroirs du milieu et du bas pour les nettoyer.
- Les tablettes peuvent se salir si des aliments sont renversés. Enlevez-les et nettoyez-les de temps à autre à l'aide d'un chiffon humide. Pour enlever la tablette, soulevez-la par l'arrière et tirez-la vers l'avant.
- Avant de nettoyer les couvercles des contenants, enlevez le bourrage en caoutchouc à l'intérieur du couvercle. N'oubliez pas de replacer le bourrage en caoutchouc une fois que tous les couvercles sont propres. Ne nettoyez pas les contenants et les couvercles dans de l'eau dont la température est supérieure à 122 °F (50 °C). Nettoyez doucement les contenants avec une éponge douce pour éviter d'en rayer la surface.

## Nettoyage des contenants à kimchi

- Les contenants à kimchi peuvent dégager une odeur de plastique lors de votre première utilisation, alors nettoyez-les avec une éponge douce et détergent neutre.
- Pour éliminer les odeurs persistantes des contenants à kimchi, placez quelques feuilles finement hachées dans le contenant, fermez le couvercle et laissez reposer 24 heures à température ambiante. Après 24 heures, ouvrez le couvercle et ajoutez environ 1 gallon d'eau de rinçage du nettoyage du riz au contenant et laissez-le ouvert à température ambiante pendant 30 minutes. Après 30 minutes, rincez le contenant et laissez-le sécher à l'air.
- Lorsqu'il est utilisé pendant une longue période de temps, la couleur distincte et l'odeur du kimchi peut pénétrer le contenant.

### MISE EN GARDE

- Ne lavez pas le couvercle du contenant à kimchi dans la lave-vaisselle. Lavage à la main seulement.

## Parois intérieures

- Laissez le congélateur se réchauffer pour éviter que le chiffon colle.

Pour éliminer les odeurs, vous pouvez laver l'intérieur du réfrigérateur avec un mélange de bicarbonate de soude et d'eau chaude. Mélangez deux cuillères à soupe de bicarbonate de soude à un litre d'eau (26 g de bicarbonate de soude pour un litre d'eau). Assurez-vous que le bicarbonate de soude est complètement dissous afin de ne pas rayer les surfaces du réfrigérateur.

## Revêtements et joints de porte

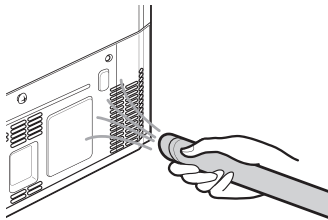
Utilisez une éponge propre ou un chiffon et un détergent doux avec de l'eau chaude. N'utilisez pas de cire de nettoyage, de détergent concentré, d'eau de Javel ou de nettoyant contenant du pétrole sur les pièces en plastique du réfrigérateur.

## Couvercles et Panneau de contrôle

Utilisez une éponge propre ou un chiffon et un détergent doux avec de l'eau chaude. N'utilisez pas de produits nettoyants pour vitres, de nettoyants abrasifs ou de liquides inflammables. Ces produits peuvent rayer ou endommager la surface.

## Serpentins du condensateur

Utilisez un aspirateur muni d'un embout plat court pour nettoyer le couvercle du condensateur et ses événements. Ne retirez pas le panneau qui recouvre la zone du condensateur.



# DÉPANNAGE

## Avant d'appeler le réparateur

Consultez cette section du manuel avant de demander un service d'entretien; ce faisant, vous économiserez temps et argent.

### Refroidissement

Problème	Cause possible	Solutions
<b>Le réfrigérateur ne refroidit pas ou est hors tension.</b>	<b>Un fusible de votre domicile a peut-être grillé ou le disjoncteur s'est peut-être déclenché. Ou l'appareil est connecté à une prise de disjoncteur différentiel de fuite à la terre (DDFT) et le disjoncteur de la prise s'est déclenché.</b>	Vérifiez le panneau électrique principal et remplacez le fusible ou réinitialisez le disjoncteur. N'augmentez pas la capacité du fusible. S'il s'agit d'un problème de surcharge du circuit, faites-le corriger par un électricien qualifié.  Réinitialisez le DDFT. Si le problème persiste, contactez un électricien.
	<b>La commande du réfrigérateur est réglée sur ARRÊT (sur certains modèles).</b>	Réglez la commande sur MARCHÉ. Veuillez consulter la section Panneau de contrôle pour un bon ajustement des températures.
	<b>Le réfrigérateur est dans un cycle de dégivrage.</b>	Durant le cycle de dégivrage, la température de chaque compartiment peut augmenter légèrement. Attendez 30 minutes, puis vérifiez que la température est revenue à la normale une fois le cycle de dégivrage terminé.
	<b>Le réfrigérateur vient d'être installé.</b>	Chaque compartiment peut mettre jusqu'à 24 h pour atteindre la température visée.
	<b>Le réfrigérateur a récemment été déplacé.</b>	Si le réfrigérateur a été entreposé ou couché pendant une longue période, celui-ci doit être placé à la verticale pendant 24 h avant d'être mis sous tension.
<b>Le système de refroidissement est trop puissant.</b>	<b>Le réfrigérateur remplace un ancien modèle.</b>	Les réfrigérateurs modernes nécessitent un temps de fonctionnement plus long, mais consomment moins d'énergie grâce à une technologie plus efficace.
	<b>Le réfrigérateur vient d'être branché ou remis sous tension.</b>	Le réfrigérateur peut mettre jusqu'à 24 h pour refroidir complètement.
	<b>La porte a souvent été ouverte, ou beaucoup d'aliments ou des aliments chauds y ont été placés.</b>	L'ajout d'aliments ou l'ouverture de la porte réchauffe le réfrigérateur, ce qui demande au compresseur de fonctionner plus longtemps pour refroidir les compartiments. Afin de conserver l'énergie, essayez de sortir tout ce dont vous avez besoin du réfrigérateur en une seule fois, rangez vos aliments de manière organisée afin de les trouver facilement et fermez la porte dès que les aliments sont sortis. (Consultez le Guide de conservation des aliments.)
	<b>Les portes ne sont pas complètement fermées.</b>	Poussez les portes fermement. Si elles ne se ferment pas complètement, consultez la section Les portes ne se ferment pas complètement ou s'ouvrent toutes seules dans la partie Pièces et caractéristiques de la section Dépannage.
	<b>Le réfrigérateur est installé dans un environnement chaud.</b>	Le compresseur fonctionnera plus longtemps dans un environnement chaud. Lorsque la température ambiante est normale (21 °C), votre compresseur fonctionne entre 40 % et 80 % du temps. Si la pièce est plus chaude, attendez-vous à ce qu'il fonctionne encore plus. Le réfrigérateur ne doit pas être mis en fonction lorsque la température ambiante est supérieure à 43 °C.
<b>Le condensateur ou le panneau arrière est obstrué.</b>	Utilisez un aspirateur muni d'un embout plat court pour nettoyer le couvercle du condenseur et ses événements. Ne retirez pas le panneau qui recouvre la zone du condenseur.	



## Refroidissement

Problème	Cause possible	Solutions
<b>Accumulation d'humidité à l'intérieur.</b>	<b>Les portes sont souvent ouvertes ou restent ouvertes longtemps.</b>	Lorsque les portes sont souvent ouvertes ou restent ouvertes longtemps, de l'air chaud et humide entre à l'intérieur du compartiment. La température et le niveau d'humidité augmentent ainsi à l'intérieur du compartiment. Pour diminuer cet effet, réduisez la fréquence et la durée d'ouverture des portes.
	<b>Les portes ne sont pas fermées correctement.</b>	Si elles ne se ferment pas complètement, consultez la section Les portes ne se ferment pas complètement ou s'ouvrent toutes seules dans la partie Pièces et caractéristiques de la section Dépannage.
	<b>Conditions ambiantes humides.</b>	Des conditions ambiantes humides font entrer plus d'humidité dans les compartiments lorsque les portes sont ouvertes, ce qui génère de la condensation ou du givre. Maintenir un niveau d'humidité raisonnable dans la maison aidera à contrôler la quantité d'humidité qui peut entrer dans les compartiments.
	<b>Cycle de dégivrage récemment effectué.</b>	Pendant le cycle de dégivrage, la température de chaque compartiment peut augmenter légèrement et de la condensation peut se former sur la paroi arrière. Une fois le cycle de dégivrage terminé, attendez 30 minutes et vérifiez que la température a bien été rétablie.
	<b>Les aliments ne sont pas emballés correctement.</b>	Les aliments qui sont rangés à découvert ou sans emballage et les contenants humides peuvent entraîner une accumulation d'humidité dans chaque compartiment. Essuyez tous les contenants et rangez les aliments dans des emballages scellés pour éviter la condensation et le givre.
<b>Les aliments gèlent dans le compartiment du réfrigérateur.</b>	<b>Des aliments à teneur élevée en eau ont été placés à proximité d'une bouche d'aération.</b>	Placez les aliments à haute teneur en eau loin des bouches d'aération.
	<b>La température du réfrigérateur est mal réglée</b>	Si la température est trop froide, ajustez-la une unité à la fois et attendez que la température se stabilise. Pour plus d'information, reportez-vous à la section Réglage des commandes.
	<b>Le réfrigérateur est installé dans un endroit froid</b>	Lorsque le réfrigérateur fonctionne dans des conditions inférieures à 41 °F (5 °C), les aliments peuvent geler dans le compartiment du réfrigérateur. Le réfrigérateur ne doit pas être utilisé à une température inférieure à 55 °F (13 °C).
<b>Les compartiments du réfrigérateur et du congélateur sont trop chauds.</b>	<b>Le réfrigérateur vient d'être installé.</b>	Chaque compartiment peut mettre jusqu'à 24 h pour atteindre la température visée.
	<b>Les bouches d'aération sont obstruées. L'air froid circule du congélateur vers les aliments frais et ainsi de suite par les bouches d'aération dans la paroi entre les deux sections.</b>	Trouvez l'emplacement des bouches d'aération en détectant le mouvement de l'air à l'aide de votre main, puis déplacez tous les éléments qui les obstruent et empêchent une bonne circulation d'air. Réorganisez les éléments afin de permettre la libre circulation de l'air à l'intérieur du compartiment.

## Refroidissement

Problème	Cause possible	Solutions
Les compartiments du réfrigérateur et du congélateur sont trop chauds.	Les portes sont souvent ouvertes ou restent ouvertes longtemps.	Lorsque les portes sont souvent ouvertes ou restent ouvertes longtemps, de l'air chaud et humide entre à l'intérieur du compartiment. La température et le niveau d'humidité augmentent ainsi à l'intérieur du compartiment. Pour diminuer cet effet, réduisez la fréquence et la durée d'ouverture des portes.
	Le réfrigérateur est installé dans un endroit chaud.	Le réfrigérateur ne doit pas être mis en fonction lorsque la température ambiante est supérieure à 43 °C.
	Beaucoup d'aliments ou des aliments chauds ont été placés dans l'un des compartiments.	L'ajout d'aliments augmente la température du compartiment, ce qui entraîne le déclenchement du système de refroidissement. Pour limiter cet effet, laissez refroidir les aliments chauds à température ambiante avant de les placer dans le réfrigérateur.
	Les portes ne sont pas correctement fermées.	Si elles ne se ferment pas complètement, consultez la section Les portes ne se ferment pas complètement ou s'ouvrent toutes seules dans la partie Pièces et caractéristiques de la section Dépannage.
	La température n'est pas réglée correctement.	Si la température est trop élevée, ajustez les réglages une position à la fois et attendez que la température se stabilise.
	Le cycle de dégivrage vient de se terminer.	Durant le cycle de dégivrage, la température de chaque compartiment peut augmenter légèrement et des signes de condensation peuvent apparaître sur la paroi arrière. Attendez 30 minutes, puis vérifiez que la température est revenue à la normale une fois le cycle de dégivrage terminé.
Les compartiments du réfrigérateur et du congélateur sont trop froids.	La température n'est pas réglée correctement.	Si la température est trop basse, ajustez les réglages une position à la fois et attendez que la température se stabilise. Consultez le Panneau de commande pour plus de renseignements à ce sujet.
Du givre ou des cristaux de glace se forment sur les aliments surgelés (à l'intérieur de l'emballage hermétique).	La condensation issue d'aliments à haute teneur en eau a gelé à l'intérieur de l'emballage.	Ce phénomène est normal pour des aliments à haute teneur en eau.
	Les aliments ont été laissés dans le congélateur pendant une longue période.	Ne stockez pas des aliments à haute teneur en eau dans le congélateur pendant une longue période.
Du givre ou des cristaux de glace se forment sur les aliments congelés (à l'extérieur de l'emballage).	La porte est ouverte trop fréquemment ou trop longtemps.	Lorsque les portes sont ouvertes trop fréquemment ou trop longtemps, de l'air chaud et humide entre dans le compartiment. Ceci accroît la température et l'humidité à l'intérieur du compartiment. Lorsqu'il y a plus d'humidité, cela entraîne la formation de givre et de condensation. Pour atténuer l'effet, ouvrez la porte moins souvent ou moins longtemps.
	La porte ne se ferme pas correctement.	Consultez la section du dépannage intitulée « Les portes ne se ferment pas correctement ou s'ouvrent toutes seules ».

## Pièces et caractéristiques

Problème	Cause possible	Solutions
Les portes ne se ferment pas complètement ou s'ouvrent toutes seules.	Des aliments empêchent la fermeture de la porte.	Rangez les aliments d'une autre façon pour dégager la porte et ses bacs.
	Le bac à glaçons, le couvercle du bac à légumes et fruits, les bacs, les étagères, les bacs de la porte ou les paniers ne sont pas positionnés correctement	Poussez les bacs jusqu'au fond et placez le couvercle du bac à légumes et fruits, les bacs, les étagères et les paniers dans leur position normale. Veuillez consulter la section Fonctionnement pour en savoir plus à ce sujet.
	Les portes ont été enlevées durant l'installation de l'appareil et n'ont pas été correctement remises en place.	Enlevez et repositionnez les portes de la manière décrite dans la section Retrait et assemblage des portes et des tiroirs
	Le réfrigérateur n'est pas d'aplomb.	Veuillez consulter la section Nivellement et alignement de la porte dans la partie Installation pour positionner le réfrigérateur de façon adéquate.
Les portes sont difficiles à ouvrir.	Les joints sont sales ou collants.	Nettoyez les joints et leurs surfaces de contact. Frottez un chiffon avec du lustre ou de la cire pour meubles sur les joints après les avoir nettoyés.
	La porte vient d'être refermée.	Lorsque vous ouvrez la porte, de l'air tiède entre dans le réfrigérateur. À mesure que l'air tiède se refroidit, il peut créer un effet d'aspiration. Si la porte est difficile à ouvrir, veuillez patienter une minute pour permettre à la pression de l'air de s'équilibrer, puis vérifiez que la porte s'ouvre plus facilement.
Le réfrigérateur vacille ou paraît instable.	Les pieds de nivellement ne sont pas correctement ajustés.	Veuillez consulter la section Nivellement et alignement de la porte.
	Le sol n'est pas égal.	Il peut être nécessaire de placer des cales sous les pieds de nivellement pour terminer l'installation.
L'éclairage ne fonctionne pas.	Les lumières à DEL à l'intérieur ne fonctionnent pas.	La lampe du compartiment du réfrigérateur est une diode d'éclairage interne, et son entretien doit être réalisé par un professionnel.
L'odeur du réfrigérateur est inhabituelle.	Le filtre à air doit peut-être être réglé sur la valeur MAX ou être remplacé.	Réglez le filtre à air à la valeur MAX. Si l'odeur persiste pendant plus de 24 h, le filtre doit probablement être changé. Veuillez consulter la section Remplacement du filtre à air frais pour les directives de remplacement.
L'intérieur du réfrigérateur est couvert de poussière ou de suie.	Le réfrigérateur est placé près d'une flamme ou d'un feu, comme une cheminée, un poêle à bois ou une bougie.	Assurez-vous que le réfrigérateur n'est pas situé près d'une flamme ou d'un feu, comme une cheminée, un poêle à bois ou une bougie.

## Bruits

Problème	Cause possible	Solutions
Clic	La commande du dégivrage cliquette lorsque le cycle de dégivrage automatique se met en marche ou s'arrête. La commande du thermostat (ou la commande du réfrigérateur sur certains modèles) cliquette aussi en début et en fin de cycle.	Fonctionnement normal
Cliquetis	Des cliquetis peuvent être dus à la circulation du fluide frigorigène, à la conduite d'alimentation en eau à l'arrière de l'appareil, ou aux éléments rangés au-dessus ou autour du réfrigérateur.	Fonctionnement normal
	Le réfrigérateur n'est pas en position stable sur le sol.	Le sol flanche ou est inégal, ou les pieds de nivellement doivent être ajustés sous le réfrigérateur. Veuillez consulter la section Nivellement et alignement de la porte.
	Le réfrigérateur doté d'un compresseur linéaire a été déplacé brusquement.	Fonctionnement normal
Sifflement	Le moteur du ventilateur de l'évaporateur fait circuler de l'air à travers les compartiments du réfrigérateur et du congélateur.	Fonctionnement normal
	Le ventilateur du condenseur souffle de l'air sur le condenseur.	Fonctionnement normal
Gargouillement	Le fluide frigorigène circule dans le système de refroidissement.	Fonctionnement normal
Pop	Contraction et expansion des parois internes causées par les changements de température.	Fonctionnement normal
Grésillement	Eau s'égouttant sur le radiateur de dégivrage lors du cycle de dégivrage.	Fonctionnement normal
Vibration	Si le côté ou l'arrière du réfrigérateur touche un meuble ou un mur, certaines des vibrations normales de l'appareil peuvent émettre un son audible.	Pour supprimer ce bruit, assurez-vous que les côtés et l'arrière du réfrigérateur ne peuvent pas vibrer contre un meuble ou un mur.
Égouttement	Eau s'écoulant à travers l'égouttoir au cours du cycle de dégivrage.	Fonctionnement normal
Pulsations ou son aigu	Votre réfrigérateur est conçu pour fonctionner de manière efficace pour conserver vos aliments à la bonne température. Le compresseur à haute performance peut amener votre nouveau réfrigérateur à fonctionner plus régulièrement, mais il est toujours plus économe en énergie que les anciens modèles. Il est normal d'entendre des pulsations ou un son aigu au cours du fonctionnement de votre réfrigérateur.	Fonctionnement normal

## Wi-Fi

Problème	Cause possible	Solutions
L'appareil et le téléphone intelligent n'arrivent pas à se connecter au réseau Wi-Fi.	Le mot de passe du réseau Wi-Fi a été mal saisi.	Supprimez votre réseau Wi-Fi domestique et recommencez le processus d'enregistrement.
	Les Données Mobiles de votre téléphone intelligent sont activées.	Désactivez les <b>Données Mobiles</b> de votre téléphone intelligent avant d'enregistrez l'appareil.
	Le nom du réseau sans fil (SSID) est erroné.	Le nom du réseau sans fil (SSID) doit être une combinaison de lettres et de chiffres anglais. (N'utilisez pas de caractères spéciaux.)
	La fréquence du routeur n'est pas de 2,4 GHz.	Seule une fréquence de routeur de 2,4 GHz est prise en charge. Réglez le routeur sans fil à 2,4 GHz et connectez-y l'appareil. Pour connaître la fréquence du routeur, informez-vous auprès de votre fournisseur de services Internet ou du fabricant du routeur.
	La distance entre l'appareil et le routeur est trop grande.	Si l'appareil est trop éloigné du routeur, le signal peut être faible et la connexion peut ne pas être configurée correctement. Placez le routeur plus près de l'appareil ou achetez et installez un répéteur Wi-Fi.

# GARANTIE LIMITÉE

## ÉTATS-UNIS

Si votre réfrigérateur LG (« produit ») ne fonctionne pas à cause d'un défaut de matériaux ou de fabrication malgré un usage domestique normal au cours de la période de garantie énoncée ci-dessous, LG réparera ou remplacera le produit, à sa discrétion. Cette garantie limitée est valide uniquement pour l'acheteur original du produit et ne s'applique que lorsqu'il est acheté et utilisé aux États-Unis, y compris sur les territoires américains. Une preuve de l'achat original est exigée pour obtenir le service de garantie en vertu de cette garantie limitée.

PÉRIODE DE GARANTIE			
Réfrigérateur / Congélateur	Système scellé (condensateur, sècheuse, tuyau de raccordement et évaporateur)	Compresseur	
Un (1) an après la date d'achat original de l'appareil.	Cinq (5) ans après la date d'achat original de l'appareil.	Cinq (5) ans après la date d'achat original de l'appareil.	Compresseur linéaire/à inversion seulement : Pièces seulement - de la 6 <sup>e</sup> à la 10 <sup>e</sup> année à compter de la date d'achat original de l'appareil. (Les frais de main-d'œuvre seront facturés au consommateur.)
Pièces et main-d'œuvre (pièces internes et fonctionnelles uniquement)	Pièces et main-d'œuvre	Pièces et main-d'œuvre	

- Les produits et pièces de remplacement sont garantis pour la portion restante de la période de garantie originale ou quatre-vingt-dix (90) jours, selon la période la plus longue.
- Les produits et pièces de remplacement peuvent être neufs ou remis à neuf.
- Une preuve de l'achat original détaillant le modèle du produit et la date d'achat est exigée pour obtenir le service de garantie en vertu de cette garantie limitée.

**SAUF DANS LES LIMITES PRÉVUES PAR LA LÉGISLATION EN VIGUEUR, TOUTE GARANTIE IMPLICITE DE QUALITÉ MARCHANDE OU D'ADAPTATION À UN USAGE PARTICULIER SUR LE PRODUIT EST LIMITÉE À LA DURÉE DE LA PRÉSENTE GARANTIE LIMITÉE. EN AUCUN CAS, LG OU SES DISTRIBUTEURS OU REVENDEURS AUX ÉTATS-UNIS NE SERONT RESPONSABLES DE TOUT DOMMAGE INDIRECT, ACCESSOIRE, CONSÉCUTIF, SPÉCIAL OU PUNITIF, Y COMPRIS, MAIS SANS S'Y LIMITER, LES PERTES DE FONDS COMMERCIAUX, LES PERTES DE REVENUS OU DE BÉNÉFICES, UN ARRÊT DE TRAVAIL, LA DÉTÉRIORATION D'AUTRES MARCHANDISES, LES COÛTS ASSOCIÉS AU DÉPLACEMENT ET À LA RÉINSTALLATION DU PRODUIT, LA PERTE D'UTILISATION, OU TOUT AUTRE DOMMAGE, QU'IL SOIT CONTRACTUEL, DÉLICTEL OU AUTRE. LA RESPONSABILITÉ TOTALE DE LG, LE CAS ÉCHÉANT, NE POURRA EN AUCUN CAS EXCÉDER LA SOMME QUE VOUS AVEZ PAYÉE POUR ACQUÉRIR LE PRODUIT.**

Certains États ne permettent pas l'exclusion ou la limitation des dommages indirects ou consécutifs, ou les limitations de la durée de la garantie implicite, auquel cas l'exclusion ou la limitation susmentionnée peut ne pas s'appliquer à vous. Cette garantie vous confère des droits juridiques particuliers, et vous avez peut-être aussi d'autres droits qui peuvent varier selon l'État où vous habitez.

### LA PRÉSENTE GARANTIE LIMITÉE NE COUVRE PAS CE QUI SUIT :

- Un appel de service pour livrer, ramasser, installer ou réparer le produit; renseigner le client sur le fonctionnement du produit, rectifier le câblage ou corriger des réparations non autorisées.
- Le bris ou le dysfonctionnement du produit durant une panne, une interruption de l'alimentation électrique ou une mauvaise alimentation en électricité.
- Le bris ou le dysfonctionnement causés par des tuyaux d'eau qui fuient qui sont inadaptés ou gelés, des petits tuyaux de vidange, une arrivée d'eau inadaptée ou coupée, ou une arrivée d'air inadaptée.
- Les dommages attribuables à l'utilisation du produit dans un milieu aux conditions corrosives ou de façon contraire aux indications du manuel d'utilisation.
- Le bris ou le dysfonctionnement du produit causés par des accidents, des insectes nuisibles, de la vermine, la foudre, le vent, un incendie, une inondation ou une catastrophe naturelle, ou toute autre situation hors du contrôle de LG.
- Le bris ou le dysfonctionnement attribuables à toute modification non autorisée ou par une utilisation autre que celle prévue, ou par une fuite d'eau résultant d'une installation inadéquate.

- Le bris ou le dysfonctionnement attribuables à une utilisation mauvaise ou abusive, ou à une installation, à une réparation ou à un entretien inadéquats. Une réparation incorrecte comprend l'utilisation de pièces non autorisées par LG. Une installation ou un entretien incorrect comprend l'installation ou l'entretien de façon contraire aux indications du manuel d'utilisation.
- Le bris ou le dysfonctionnement causés par une alimentation électrique ou une plomberie inadéquate, une utilisation commerciale ou industrielle, ou l'utilisation d'accessoires, de composants ou de produits de nettoyage non approuvés par LG.
- Le bris ou le dysfonctionnement causés par le transport et la manutention, y compris les rayures, bosses, entailles ou autres dommages au produit fini, sauf si de tels dommages sont rapportés dans un délai d'une (1) semaine après la livraison.
- Les dommages et les pièces manquantes pour tout produit utilisé aux fins de démonstration, tout produit déjà déballé avant l'achat ou tout produit vendu à rabais.
- Tout produit remis à neuf ou tout autre produit vendu « tel quel », « tel que disponible », « avec tous les défauts », ou tout avis de non-responsabilité semblable.
- Des produits dont le numéro de série original a été retiré, modifié ou ne peut être facilement déterminé.
- Les augmentations des frais de fonctionnement et des autres dépenses de fonctionnement.
- Tout bruit associé à un fonctionnement normal.
- L'utilisation d'accessoires (p. ex., filtres à eau, etc.), de composants ou de produits de nettoyage non approuvés par LG.
- Le remplacement des ampoules, des filtres ou des consommables.
- Les réparations lorsque votre appareil est utilisé dans des conditions autres que normales et domestiques (utilisation commerciale, dans des bureaux ou des installations récréatives ou des véhicules) ou contraires aux consignes établies dans le manuel du propriétaire de l'appareil.
- Les coûts associés au retrait et à la réinstallation du produit de votre résidence aux fins de réparation.
- Les étagères, les bacs de la porte, les tiroirs, les poignées et les accessoires, à l'exception des pièces internes/ fonctionnelles couvertes par la présente garantie limitée.

**Le coût des réparations ou du remplacement dans les circonstances d'exclusion ci-dessus est assumé par le consommateur.**

OBTENIR DES SERVICES SOUS GARANTIE ET DES RENSEIGNEMENTS ADDITIONNELS

Composez le 1 800 243-0000 et sélectionnez l'option appropriée dans le menu.

Ou visitez notre site Web au <http://www.lg.com>.

Ou par courrier : Service à la clientèle de LG Electronics/LG Electronics Customer Service P.O. Box 240007 Huntsville, AL 35813 c/o: CIC

# GARANTIE LIMITÉE

## CANADA

AVIS D'ARBITRAGE : LA PRÉSENTE GARANTIE LIMITÉE CONTIENT UNE DISPOSITION SUR L'ARBITRAGE QUI EXIGE QUE LE RÈGLEMENT DES DIFFÉRENDS ENTRE VOUS ET LG S'EFFECTUE PAR ARBITRAGE EXÉCUTOIRE PLUTÔT QUE DEVANT UN TRIBUNAL, À MOINS QUE LES LOIS DE VOTRE PROVINCE OU TERRITOIRE L'INTERDISSENT OU QUE, DANS UN AUTRE TERRITOIRE DE COMPÉTENCE, VOUS VOUS PRÉVALIEZ D'UNE OPTION DE RETRAIT. LES RECOURS COLLECTIFS ET LES PROCÈS DEVANT JURY NE SONT PAS AUTORISÉS PAR LE PROCESSUS D'ARBITRAGE. VEUILLEZ VOUS RÉFÉRER CI-DESSOUS À L'ARTICLE « PROCÉDURE DE RÈGLEMENT DE DIFFÉREND ».

Si votre réfrigérateur LG («Produit») a tombé en panne en raison d'un défaut de matériaux ou de fabrication sous une utilisation normale et appropriée, pendant la période de garantie indiquée ci-dessous, LG Electronics Canada Inc. («LGECI»), à son gré, réparera ou remplacera le «Produit» après réception de la preuve d'achat originale au détail. Cette garantie limitée est valable uniquement qu'à l'acheteur original du «Produit» du détaillant et s'applique uniquement à un produit distribué, acheté et utilisé au Canada, tel que déterminé à la seule discrétion de «LGECI».

PÉRIODE DE GARANTIE (Remarque : Dans le cas où la date d'achat initial ne peut pas être vérifiée, la garantie commence soixante (60) jours après la date de fabrication.)			
Réfrigérateur	Système scellé (condensateur, sècheuse, tuyau de raccordement et évaporateur)		Compresseur linéaire / à inversion
Un (1) an après la date d'achat original de l'appareil.	Un (1) an après la date d'achat original de l'appareil.	Sept (7) ans après la date d'achat original de l'appareil.	Dix (10) ans après la date d'achat original de l'appareil.
Pièces et main-d'œuvre (pièces internes et fonctionnelles uniquement)	Pièces et main-d'œuvre	Pièces uniquement (la main-d'œuvre sera facturée au client)	Pièces uniquement (la main-d'œuvre sera facturée au client)

- Les produits et pièces de remplacement sont garantis pour la portion restante de la période de garantie originale ou quatre-vingt-dix (90) jours, selon la période la plus longue.
- Les produits et pièces de rechange peuvent être neufs, reconditionnés, remis à neuf ou autrement fabriqués en usine, tous à la seule discrétion de «LGECI».
- La preuve de l'achat de détail original spécifiant le modèle du produit et la date d'achat est requise pour obtenir un service sous garantie en vertu de la présente garantie limitée.

**LA RESPONSABILITÉ DE LGECI EST LIMITÉE À LA GARANTIE LIMITÉE EXPRIMÉE CI-DESSUS. SAUF TEL QU'EXPRESSÉMENT FOURNI CI-DESSUS, LGECI DÉCLINE TOUTE AUTRE GARANTIE ET CONDITION CONCERNANT LE PRODUIT, EXPLICITE OU IMPLICITE, Y COMPRIS, MAIS SANS S'Y LIMITER, TOUTE GARANTIE IMPLICITE OU CONDITION DE QUALITÉ MARCHANDE OU D'ADAPTATION À UN USAGE PARTICULIER, ET AUCUNE REPRÉSENTATION NE SERA LIÉE À LGECI. LGECI N'AUTORISE AUCUNE PERSONNE À CRÉER OU ENSOSSER À SA PLACE QUELCONQUE AUTRE OBLIGATION DE GARANTIE OU RESPONSABILITÉ RELATIVE AU PRODUIT. DANS LA MESURE OÙ TOUTE GARANTIE OU CONDITION EST IMPLICITE PAR LA LOI, ELLE EST LIMITÉE À LA PÉRIODE DE GARANTIE DÉCLARÉE CI-DESSUS. EN AUCUN CAS, LGECI, LE FABRICANT OU LE DISTRIBUTEUR DU PRODUIT, NE SERA TENU RESPONSABLE DE TOUT DOMMAGE ACCESSOIRE, CONSÉCUTIF, SPÉCIAL, DIRECT, INDIRECT, PUNITIF OU EXEMPLAIRE, Y COMPRIS, SANS LIMITATION, LA PERTE DE COTE D'ESTIME, PERTE DE PROFITS, PERTE DE PROFITS ANTICIPÉS, PERTE DE REVENUS, PERTE D'UTILISATION OU DE TOUT AUTRE DOMMAGE, QU'IL SOIT PROVENU DIRECTEMENT OU INDIRECTEMENT DE TOUTE INFRACTION CONTRACTUELLE, VIOLATION FONDAMENTALE, DÉLICTEUELLE OU AUTRE, OU DE TOUT ACTE OU OMISSION. LA RESPONSABILITÉ TOTALE DE LGECI, S'IL EN EST, N'OUTREPASSERA PAS LE PRIX D'ACHAT PAYÉ PAR VOUS POUR LE PRODUIT.**

Cette garantie limitée vous donne des droits légaux spécifiques. Vous pouvez également avoir d'autres droits qui varient d'une province à l'autre selon les lois provinciales applicables. Tout terme de cette Garantie limitée qui nie ou modifie toute condition ou garantie implicite en vertu de la loi provinciale est divisible lorsqu'elle est en conflit avec cette loi provinciale sans affecter le reste des termes de cette garantie.



**LA PRÉSENTE GARANTIE LIMITÉE NE COUVRE PAS CE QUI SUIT :**

- Tout déplacement du technicien pour : i) livrer, reprendre, installer ou; éduquer comment utiliser le Produit; ii) corriger le câblage ou plomberie; ou iii) rectifier toute réparation ou installation non-autorisée du Produit;
- Dommage ou panne du Produit à performer lors de panne de courant et service électrique inadéquat ou interrompu;
- Dommage ou panne en raison de tuyaux d'eau brisés ou dont l'eau fuit, conduite d'eau gelée, conduite de récupération obstruée, approvisionnement d'eau inadéquat ou interrompu ou ravitaillement d'air inadéquat;
- Dommage ou panne résultant de l'utilisation du Produit dans un environnement corrosif ou contraire aux instructions détaillées dans le manuel d'utilisation du Produit;
- Dommage ou panne du Produit en raison d'accidents, ravageurs et parasites, foudre, vent, feu, inondations, actes de Dieu ou toute autre raison hors du contrôle de LGECI ou du fabricant;
- Dommage ou panne résultant d'utilisation inappropriée ou abusive ou d'installation, réparation ou entretien imparfait du Produit. Réparation imparfaite inclut l'utilisation de pièces non autorisées ou spécifiées par LGECI. Installation ou entretien imparfait inclut toute installation ou entretien contraire aux instructions détaillées au manuel d'utilisation du Produit;
- Dommage ou panne en raison de modification ou altération non autorisée du Produit, ou si utilisé pour fins autres que celle d'appareil ménager domestique, ou dommage ou panne résultant de toute fuite d'eau due à une mauvaise installation du produit;
- Dommage ou panne en raison de courant électrique, tension ou codes de plomberie incorrects;
- Dommage ou panne en raison d'utilisation autre que celle d'appareil ménager domestique normale, incluant, sans limite, l'utilisation commerciale ou industrielle, incluant l'utilisation au bureau commercial ou centre récréatif, ou détaillée autrement au manuel d'utilisation du Produit;
- Dommage ou panne en raison d'utilisation de tout accessoire, composant ou produit nettoyant, incluant, sans limite, filtres à eau non autorisés par LGECI;
- Remplacement de la cartouche du filtre à eau en raison de la pression d'eau située en dehors de la plage de fonctionnement spécifiée ou sédiments excessifs dans l'approvisionnement d'eau;
- Dommage ou panne provoqué par le transport et manipulation, incluant rayures, bosses, écaillage et/ou autre endommagement à la finition du Produit, **à moins que** tel dommage ait résulté de fabrication ou matériaux défectueux et rapporter à LGECI dans la (1) semaine suivant livraison du Produit;
- Dommage or articles absents de tout Produit démonstrateur, boîte ouverte, réusiné ou escompté;
- Produit réusiné ou tout Produit vendu "Tel quel", "Où est", "Avec tous défauts", ou toute mise en garde similaire;
- Produit dont le numéro de série original ait été retiré, altéré ou ne peut être facilement déterminé à la discrétion de LGECI;
- Augmentation de la facture d'électricité et dépenses additionnelles d'utilité de quelque manière associée au Produit;
- Tout bruit associé au fonctionnement normal du Produit;
- Remplacement des ampoules, filtres, fusibles ou tout autre élément consommable;
- Remplacement de toute pièce n'étant pas originalement incluse avec le Produit;
- Coûts associés au retrait et/ou réinstallation du Produit pour fins de réparation; et
- Les clayettes, bacs, tiroirs, poignées et accessoires du Produit, sauf les pièces internes / fonctionnelles couvertes par cette garantie limitée.
- Couverture pour réparations à domicile, pour produit sous garantie, sera fournie si le Produit se trouve dans un rayon de 150 km du centre de service autorisé (ASC) le plus près, tel que déterminé par LG Canada. Si votre Produit est situé à l'extérieur du rayon de 150 km d'un centre de service autorisé, tel que déterminé par LG Canada, il en ira de votre responsabilité d'apporter votre Produit, à vos frais, au centre de service (ASC) pour réparation sous garantie.

**Tous coûts et dépenses associés aux circonstances exclues ci-dessus, énumérés sous la rubrique "Cette garantie limitée ne couvre pas" sont à la charge du consommateur.**

AFIN D'OBTENIR SOUTIEN DE GARANTIE ET INFORMATIONS SUPPLÉMENTAIRES VEUILLEZ NOUS APPELER OU VISITER NOTRE SITE WEB :

Sans frais : 1-888-542-2623 (7h à minuit – l'année longue) et sélectionnez l'option appropriée au menu, ou; Visitez le site web à : <http://www.lg.com>

**PROCÉDURE DE RÈGLEMENT DE DIFFÉREND :**

SAUF LA OÙ LA LOI L'INTERDIT, TOUT DIFFÉREND ENTRE VOUS ET LG ASSOCIÉ DE QUELQUE FAÇON QUE CE SOIT À LA PRÉSENTE GARANTIE LIMITÉE SE RÈGLE EXCLUSIVEMENT PAR ARBITRAGE EXÉCUTOIRE PLUTÔT QUE DEVANT UN TRIBUNAL DE DROIT COMMUN. SAUF LA OÙ LA LOI L'INTERDIT, VOUS ET LG RENONCEZ IRRÉVOCABLEMENT À TOUT DROIT À UN PROCÈS DEVANT JURY, AINSI QU'À EXERCER UN RECOURS COLLECTIF OU À Y PARTICIPER.

**Définitions.** Aux fins du présent article, « LG » désigne LG Electronics Canada Inc., ses sociétés mères, ses filiales et ses sociétés affiliées et tous leurs dirigeants, administrateurs, employés, agents, bénéficiaires, détenteurs précédents des mêmes droits, successeurs, cessionnaires et fournisseurs; « différend » et « réclamation » englobent tout différend, réclamation ou litige de quelque sorte que ce soit (fondés sur une responsabilité contractuelle, délictuelle, légale, réglementaire ou découlant d'une ordonnance, par fraude, fausse représentation ou sous quelque régime de responsabilité que ce soit) découlant de quelque façon que ce soit de la vente, des conditions ou de l'exécution du produit ou de la présente Garantie limitée.

**Avis de différend.** Si vous prévoyez engager une procédure d'arbitrage, vous devez d'abord envoyer à LG un préavis écrit d'au moins 30 jours à l'adresse suivante : Équipe juridique LGECI, Norelco Drive, North York, Ontario, Canada M9L 2X6 (l'« avis de différend »). Vous et LG convenez de discuter en toute bonne foi pour tenter de régler le différend à l'amiable. L'avis doit mentionner votre nom, votre adresse, votre numéro de téléphone, le produit faisant l'objet de la réclamation, la nature de la réclamation et la réparation demandée. Si vous et LG ne parvenez pas à régler le différend dans les 30 jours suivant la réception de l'avis de différend par LG, le différend doit être réglé par arbitrage exécutoire conformément à la procédure établie aux présentes. Vous et LG convenez que, tout au long du processus d'arbitrage, les modalités (y compris les montants) de toute offre de règlement formulée par vous ou par LG ne seront pas divulguées à l'arbitre et resteront confidentielles à moins d'accord contraire entre les deux parties ou que l'arbitre règle le différend.

**Entente d'arbitrage exécutoire et renonciation à un recours collectif.** Si la réclamation n'a pu être réglée dans les 30 jours suivant la réception de l'avis de différend par LG, vous et LG convenez de ne régler les réclamations vous opposant que par arbitrage exécutoire au cas par cas, à moins que vous vous prévaliez de l'option de retrait évoquée plus haut ou que vous résidiez dans un territoire de compétences qui interdit la pleine application de cette clause dans le cas de réclamations de ce type (dans lequel cas, si vous êtes un consommateur, cette clause ne s'appliquera que si vous acceptez expressément l'arbitrage). Dans la mesure où la loi en vigueur le permet, aucun différend entre vous et LG ne peut être combiné ou regroupé avec un différend faisant intervenir le produit ou la réclamation d'une personne ou entité tierce. Plus précisément et sans limiter la portée de ce qui précède, sauf dans la mesure où une telle interdiction n'est pas autorisée en droit, en aucun cas un différend entre vous et LG ne peut être traité dans le cadre d'un recours collectif. Au lieu de l'arbitrage, les parties peuvent intenter une action individuelle devant une cour des petites créances, mais cette action ne peut pas être intentée dans le cadre d'un recours collectif, sauf dans la mesure où une telle interdiction n'est pas autorisée en droit dans votre province ou territoire de compétences pour une réclamation en cause qui nous oppose.

**Règles et procédures d'arbitrage.** Pour soumettre une réclamation à un arbitrage, l'une des deux parties, soit vous ou LG, doit déposer une demande écrite à cet effet. L'arbitrage est privé et confidentiel et s'effectue selon une procédure simplifiée et accélérée devant un arbitre unique choisi par les parties conformément aux lois et règlements en vigueur portant sur l'arbitrage commercial de votre province ou territoire de résidence. Vous devez également envoyer une copie de votre demande écrite à LG Electronics Canada, Inc., Legal Department - Arbitration, 20 Norelco Drive, North York, Ontario M9L 2X6. La présente disposition sur l'arbitrage est régie par les lois et règlements sur l'arbitrage commercial applicables de votre province ou territoire. La sentence arbitrale peut donner lieu à un jugement de n'importe quel tribunal compétent. Toutes les décisions relèvent de l'arbitre, à l'exception des questions associées à la portée et à l'applicabilité de la disposition sur l'arbitrage et à l'arbitrabilité du différend, qui sont du ressort du tribunal. L'arbitre est tenu de respecter les modalités de la présente disposition.

**Droit applicable.** Les lois de votre province ou territoire de achat régissent la présente Garantie limitée et tout différend entre nous, sauf dans la mesure où de telles lois sont supplantées par des lois fédérales, provinciales ou territoriales applicables ou sont incompatibles avec ces dernières. Si l'arbitrage n'est pas autorisé pour régler une réclamation, une poursuite, un différend ou un litige nous opposant, nous nous en remettons à la compétence exclusive des tribunaux de votre province ou territoire de compétence pour le règlement de la réclamation, de la poursuite, du différend ou du litige nous opposant.

**Frais et coûts.** Aucuns frais ne sont exigibles pour entamer une procédure d'arbitrage. À la réception de votre demande d'arbitrage écrite, LG réglera rapidement la totalité des frais de dépôt de la demande d'arbitrage, sauf si vous réclamez des dommages-intérêts supérieurs à 25 000 \$. Dans ce cas, le paiement de ces frais sera régi par les règles d'arbitrage applicables. Sauf disposition contraire aux présentes, LG paiera tous les frais de dépôt de demande et d'administration ainsi que les honoraires de l'arbitre conformément aux règles d'arbitrage applicables et à la présente disposition sur l'arbitrage. Si vous remportez l'arbitrage, LG réglera vos frais et honoraires juridiques après avoir déterminé s'ils sont raisonnables en se fondant sur des facteurs comme, entre autres, le montant de l'achat et le montant de la réclamation. Si l'arbitre juge que le motif de la réclamation ou les réparations demandées sont futiles ou se fondent sur des motifs déplacés (au regard des lois applicables), le paiement de tous les frais d'arbitrage sera régi par les règles d'arbitrage applicables. Dans un tel cas, vous acceptez de rembourser à LG la totalité des montants versés qu'il vous revient autrement de payer en vertu des règles d'arbitrage applicables. Sauf disposition contraire et si elle remporte l'arbitrage, LG renonce à tous ses droits de vous réclamer des frais et horaires juridiques.

**Audience et lieu de l'arbitrage.** Si votre réclamation est égale ou inférieure à 25 000 \$, vous pouvez opter pour un arbitrage conduit selon l'une des modalités suivantes uniquement : 1) sur examen des documents remis à l'arbitre, 2) par audience téléphonique ou 3) par audience en personne selon les dispositions des règles d'arbitrage applicables. Si votre réclamation dépasse 25 000 \$, le droit à une audience sera défini par les règles d'arbitrage applicables. Les audiences arbitrales en personne se tiendront à l'endroit le plus proche et le plus pratique pour les deux parties situé dans votre province ou votre territoire de résidence, sauf si nous convenons mutuellement d'un autre lieu ou d'un arbitrage par téléphone.

**Dissociabilité et renonciation.** Si une partie de la présente Garantie limitée (y compris les présentes procédures d'arbitrage) n'est pas applicable, les dispositions restantes demeurent en vigueur dans la mesure permise par la loi applicable. Le fait de ne pas exiger la stricte exécution d'une disposition de la présente Garantie limitée (y compris les présentes procédures d'arbitrage) ne signifie pas que nous ayons renoncé ni que nous ayons l'intention de renoncer à toute disposition ou partie de la présente Garantie limitée.

**Option de retrait.** Vous pouvez vous retirer de la présente procédure de règlement de différend. Dans ce cas, ni vous ni LG ne pouvez imposer à l'autre partie de participer à une procédure d'arbitrage. Pour vous prévaloir de l'option de retrait, vous devez envoyer un préavis à LG dans les trente (30) jours civils à compter de la date de l'achat du produit par le premier acheteur i) dans un courriel adressé à [optout@lge.com](mailto:optout@lge.com) et dont la ligne d'objet porte la mention « Retrait de l'arbitrage » ou ii) en composant le 1-800-980-2973. Que ce soit par courriel ou par téléphone, vous devez donner a) votre nom et votre adresse; b) la date d'achat du produit; c) le nom ou le numéro de modèle du produit et d) le numéro de série (qu'il est possible de trouver i) sur le produit ou ii) en ligne au [https://www.lg.com/ca\\_fr/soutien/repairation-garantie/demande-reparation](https://www.lg.com/ca_fr/soutien/repairation-garantie/demande-reparation), Trouver mes numéros de modèle et de série). Si vous vous prévalez de l'option de retrait, les lois de votre province ou territoire de résidence régissent la présente Garantie limitée et tout différend entre nous, sauf dans la mesure où de telles lois sont supplantées par des lois fédérales, provinciales ou territoriales applicables ou sont incompatibles avec ces dernières. Si l'arbitrage n'est pas autorisé pour régler une réclamation, une poursuite, un différend ou un litige nous opposant, nous nous en remettrons à la compétence exclusive des tribunaux de votre province ou territoire de compétence pour le règlement de la réclamation, de la poursuite, du différend ou du litige nous opposant.

Vous ne pouvez vous prévaloir de l'option de retrait que de la manière décrite plus haut (c'est-à-dire par courriel ou par téléphone). Aucun autre type d'avis ne sera pris en compte pour le retrait de la présente procédure de règlement de différend. Le fait de se retirer de la présente procédure de règlement de différend ne compromet d'aucune façon la protection accordée en vertu de la Garantie limitée, et vous continuerez à jouir de tous les avantages prévus par la Garantie limitée. Si vous conservez ce produit sans vous prévaloir de l'option de retrait, vous acceptez les conditions générales de la disposition sur l'arbitrage énoncée ci-dessus.

**Conflit de modalités.** En cas de conflit ou d'incompatibilité entre les modalités de la présente garantie limitée et le contrat de licence d'utilisation (CLU) en ce qui concerne le règlement des différends, les modalités de la présente garantie limitée contrôlent et régissent les droits et obligations des parties et ont préséance sur le CLU.





# MANUAL DEL PROPIETARIO

# REFRIGERADOR

ESPAÑOL

**Lea detenidamente el manual del propietario antes de poner el electrodoméstico en funcionamiento y consérvelo a mano en todo momento para su referencia.**

[www.lg.com](http://www.lg.com)

Copyright © 2020 LG Electronics Inc. Todos los Derechos Reservados.

# TABLA DE CONTENIDOS

## **3 CARACTERÍSTICAS DEL PRODUCTO**

---

## **4 INSTRUCCIONES DE SEGURIDAD**

---

- 4 INSTRUCCIONES IMPORTANTES DE SEGURIDAD

## **8 ESPECIFICACIONES DEL PRODUCTO**

---

## **9 DESCRIPCIÓN GENERAL DEL PRODUCTO**

---

- 9 Exterior
- 10 Interior
- 11 Contenedores de Almacenaje de Kimchi

## **12 INSTALACIÓN**

---

- 12 Descripción general de la instalación
- 13 Desempacando el refrigerador
- 13 Elección de la ubicación adecuada
- 14 Removiendo/Ensamblando Puertas y Estantes
- 18 Nivelando y Alineando la Puerta
- 18 Encendido

## **19 FUNCIONAMIENTO**

---

- 19 Antes de Usar
- 20 Panel de control
- 29 Almacenando Alimentos
- 32 Compartimentos de la izquierda /derecha
- 33 Cajón de CustomChill™
- 33 Ajuste de los estantes del refrigerador

## **34 FUNCIONES INTELIGENTES**

---

- 34 Aplicación LG ThinQ
- 37 Función Smart Diagnosis™ (Diagnóstico Inteligente)

## **38 MANTENIMIENTO**

---

- 38 Limpieza

## **40 SOLUCIÓN DE PROBLEMAS**

---

- 40 Antes de llamar al servicio técnico

## **46 GARANTÍA LIMITADA**

---

# CARACTERÍSTICAS DEL PRODUCTO

Según el modelo, es posible que algunas de las siguientes funciones no estén disponibles.

## ALARMA DE LA PUERTA

La función de alarma de la puerta está diseñada para prevenir el mal funcionamiento del refrigerador que podría producirse si se dejara abierta una puerta del refrigerador o un cajón del congelador. Si se deja abierta una puerta del refrigerador o un cajón del congelador por más de 60 segundos, sonará una alarma de advertencia en intervalos de 30 segundos.

## BISAGRA DE CIERRE AUTOMÁTICO

Las puertas del refrigerador y los cajones del congelador se cierran automáticamente con un leve empujón. (La puerta únicamente se cierra automáticamente cuando se encuentra abierta a un ángulo menor a 30°).

## CAJÓNES DE CUSTOMCHILL™

Los cajones de CustomChill™ proporcionan espacio de conservación con control de temperatura variable que mantiene el compartimento más frío o más caliente que el refrigerador. Utilícelo para almacenar carnes y mariscos, productos frescos, arroz o granos.

## CONVENIENTES COMPARTIMIENTOS MULTIPROPOSITO

La temperatura de los cajones puede ajustarse para kimchi, productos frescos, carne, pescado, arroz o granos. Utilice los compartimientos izquierdo y derecho en la parte superior del electrodoméstico para refrigerar alimentos frescos o kimchi.

## FERMENTA Y ALMACENA KIMCHI EN UN SÓLO ELECTRODOMÉSTICO

Los compartimientos separados tienen controles de temperatura individuales que pueden ajustarse para fermentar o almacenar kimchi.

## CONTENEDORES DE KIMCHI FÁCILES DE UTILIZAR

Los exclusivos contenedores de kimchi LOCK&LOCK son herméticos y fáciles de utilizar, ayudando a conservar el kimchi fresco por un mayor período de tiempo.


# INSTRUCCIONES DE SEGURIDAD

## LEA TODAS LAS INSTRUCCIONES ANTES DE UTILIZAR

### Su seguridad y la de los demás son muy importantes.

Tanto en este manual como en el equipo, hemos proporcionado muchos mensajes de seguridad importantes. Siempre debe leer y respetar todos los mensajes de seguridad.

Este es el símbolo de alerta de seguridad.

-  Este símbolo le advierte sobre posibles riesgos que pueden ocasionar lesiones o la muerte a usted o a otros. El símbolo de alerta de seguridad siempre estará acompañado de las palabras "ADVERTENCIA" o "PRECAUCIÓN" y seguido de un mensaje de seguridad importante.

Estos términos significan lo siguiente:

#### ADVERTENCIA

Podría sufrir lesiones graves o la muerte si no sigue las instrucciones.

#### PRECAUCIÓN

Puede resultar lesionado o causar daño al producto si no sigue las instrucciones.

Todos los mensajes de seguridad le indicarán cuál es el riesgo potencial, le indicarán cómo reducir la probabilidad de lesiones y le proporcionarán información sobre qué podría suceder si no se siguen las instrucciones.

## INSTRUCCIONES IMPORTANTES DE SEGURIDAD

### ADVERTENCIA

**Para disminuir el riesgo de explosiones, incendios, descargas eléctricas, quemaduras, lesiones o muerte para las personas que usen este artefacto, siga las precauciones básicas, incluidas las siguientes:**

#### INSTALACIÓN

- Para reducir el riesgo de lesiones personales, respete todos los procedimientos de seguridad recomendados por la industria, incluso el uso de guantes de manga larga y gafas de seguridad.
- Nunca intente operar este artefacto si se encuentra dañado, si no funciona correctamente, si no está ensamblado por completo o si tiene piezas faltantes o rotas, incluido un cable o enchufe dañado.
- Conecte este producto únicamente a un tomacorriente dedicado, conectado a tierra, apto para usar con este producto (115 voltios, 60 Hz, solo CA). El usuario tiene la responsabilidad de reemplazar un tomacorriente de pared estándar de 2 tomas por un tomacorriente de pared estándar de 3 tomas.
- No use un tomacorriente que pueda apagarse con un interruptor. No use un cable de extensión.
- Posicione el electrodoméstico de un modo que le permita acceder fácilmente a la alimentación eléctrica.
- Al mover el electrodoméstico, tenga cuidado de no torcer ni dañar el cable de alimentación.
- Póngase en contacto con un centro de servicio autorizado antes de instalar o cambiar de lugar el electrodoméstico.
- Por ninguna razón debe cortar o quitar la tercera clavija (tierra) del cable de alimentación.
- Mantenga los materiales de empaque fuera del alcance de los niños. Los materiales de empaque pueden ser peligrosos para los niños. Corren riesgo de asfixia.
- No instale el electrodoméstico en un lugar húmedo o polvoriento, donde el aislamiento de las piezas eléctricas podría deteriorarse.
- No coloque el electrodoméstico bajo la luz solar directa ni lo exponga a electrodomésticos que emitan calor, como cocinas o calefactores.
- No doble ni pellizque en exceso el cable de alimentación, ni coloque objetos pesados sobre este.



## FUNCIONAMIENTO

- Este refrigerador está destinado únicamente a usos domésticos y similares aplicaciones, tales como:
  - áreas de cocina en tiendas, oficinas y lugares de trabajo;
  - granjas; por clientes en hoteles, moteles y otros tipos de ambientes residenciales;
  - ambientes de alojamiento y desayuno;
  - aplicaciones de abastecimiento y de servicios similares de no distribución.
- No use este electrodoméstico para fines especiales, como para conservar medicamentos o materiales de ensayo, usar en barcos, etc.
- NO permita que los niños entren y se paren o se cuelguen de las puertas o los estantes del electrodoméstico. Podrían dañar el refrigerador o sufrir lesiones graves.
- No permita que los niños entren al electrodoméstico. Podrían quedar atrapados y sofocarse.
- Debe supervisar a los niños para asegurarse de que no jueguen con el electrodoméstico.
- Mantenga los dedos lejos de los puntos de riesgo de pinzamiento; las distancias de separación entre las puertas y los gabinetes son necesariamente pequeñas. Tenga cuidado al cerrar las puertas cuando haya niños cerca.
- No toque los alimentos congelados ni las partes metálicas del compartimento del congelador si tiene las manos mojadas o húmedas. Hacerlo podría causar congelación.
- No vuelva a congelar alimentos congelados que se hayan descongelado por completo. Esto podría ser peligroso para su salud.
- No use adaptadores ni enchufe el cable de alimentación en un alargador de múltiples tomacorrientes.
- No use un cable que tenga grietas o daño de abrasión en su longitud o en algún extremo del enchufe o conector. Haga que personal de servicio calificado repare inmediatamente todo cable de energía que esté gastado o dañado de alguna manera.
- No use el refrigerador ni toque el cable de alimentación con las manos mojadas.
- No modifique ni extienda el cable de alimentación.
- No use un tomacorriente que no esté certificado. No enchufe el electrodoméstico en un tomacorriente de pared dañado.
- No coloque las manos, los pies u otros objetos en la ventilación de aire ni en la parte inferior del refrigerador. Si lo hace, podría sufrir lesiones personales o descargas eléctricas.
- Si se produce una fuga de gas (propano/GPL), asegúrese de que el área esté adecuadamente ventilada y póngase en contacto con un centro de servicio autorizado antes de volver a usar el refrigerador. No toque ni desarme el electrodoméstico ni el cable de alimentación del electrodoméstico.
- Ante la presencia de ruidos u olores extraños, o si sale humo del electrodoméstico, desconecte el cable de alimentación de inmediato y póngase en contacto con un centro de servicio autorizado.
- No use fusibles (como cobre, alambre de acero, etc.) que no sean los fusibles estándar.
- No coloque ni use un aparato eléctrico dentro del electrodoméstico, a menos que sea de un tipo recomendado por el fabricante.
- No introduzca animales con vida dentro del electrodoméstico.
- No coloque objetos pesados o frágiles, contenedores llenos de líquido, sustancias combustibles u objetos inflamables (como velas y lámparas) sobre el electrodoméstico.
- Si se conecta a un circuito protegido con fusibles, utilice un fusible de retardo.
- Mantenga las aperturas de ventilación, en la cubierta del electrodoméstico o en la estructura incorporada, despejadas de obstrucciones.
- No utilice dispositivos mecánicos u otros medios para acelerar el proceso de descongelado, con excepción de aquellos recomendados por el fabricante.
- No utilice aparatos eléctricos dentro de los compartimientos de almacenaje de alimentos del electrodoméstico, a menos que sean de un tipo recomendado por el fabricante.
- No almacene sustancias explosivas como latas de aerosol con propulsores inflamables en este electrodoméstico.

## MANTENIMIENTO

- No use secadoras eléctricas para secar el interior del producto.
- No prenda velas para remover el olor interno del producto.
- En el caso de fuga del refrigerante, aleje los objetos inflamables del refrigerador. Asegúrese de que el área esté bien ventilada y póngase en contacto con un centro de servicio autorizado.
- Mantenga materiales inflamables y vapores, como gasolina, alejados del refrigerador.
- Los niños mayores de 8 años y las personas con capacidades físicas, sensoriales o mentales reducidas, o sin experiencia o conocimientos pueden usar este electrodoméstico, si cuentan con la supervisión o la instrucción necesarias sobre el uso seguro del electrodoméstico y comprenden los riesgos involucrados. Los niños no deben jugar con el electrodoméstico. Los niños que no estén supervisados no deben realizar la limpieza ni el mantenimiento del producto.
- Desenchufe el cable de alimentación antes de limpiar o reparar el electrodoméstico.
- Las luces del refrigerador y el compartimento del congelador son luces LED para interiores, y un técnico calificado debe realizar el mantenimiento.
- En caso de apagón o tormenta eléctrica, desenchufe el cable de alimentación de inmediato.
- Apague la alimentación si ingresa agua o polvo en el electrodoméstico. Llame a un agente de servicio.
- No almacene, desarme ni repare el electrodoméstico usted mismo ni permita que el personal no calificado lo haga.

## ELIMINACIÓN

- Los electrodomésticos desechados o abandonados son peligrosos, incluso si se dejan de usar solo por unos pocos días. Al momento de desechar el refrigerador, retire los materiales de embalaje de la puerta o quite las puertas, pero deje los estantes en su lugar, a fin de que los niños no puedan ingresar fácilmente a este.
- Si desechara un refrigerador, asegúrese de retirar el refrigerante para que un miembro calificado del personal de servicio lo deseche correctamente. Si usted libera el refrigerante, puede ser multado o encarcelado de acuerdo con la legislación ambiental pertinente. La espuma de aislamiento contiene un gas expansor inflamable.
- Cuando deseche el electrodoméstico, retire la junta de la puerta mientras deja los estantes y los recipientes en su lugar, y mantenga a los niños alejados del electrodoméstico.

## INSTRUCCIONES DE CONEXIÓN A TIERRA

- La conexión inadecuada del conductor de conexión a tierra puede resultar en riesgo de choque eléctrico. Pregunte a un electricista calificado o al personal de servicio si no está seguro si el artefacto está adecuadamente conectado a tierra. No modifique el enchufe que viene con el artefacto. Si no cabe en el contacto, pida que un electricista calificado instale un contacto apropiado.
- Haga que un técnico certificado verifique que el tomacorriente de pared y los cables estén adecuadamente conectados a tierra.
- Nunca tire del cable de alimentación para desenchufar el electrodoméstico. Agarre siempre el enchufe firmemente y tire del mismo para retirarlo del tomacorriente. Si no hace esto, podría dañar el cable de alimentación y generar un riesgo de incendio y descarga eléctrica.

## RIESGO DE INCENDIO Y MATERIALES INFLAMABLES



Este electrodoméstico contiene una pequeña cantidad de refrigerante isobutano (R600a), que es combustible. Al transportar e instalar el electrodoméstico, debe prestar atención para asegurar que ninguna parte del circuito refrigerante se dañe. Fuga del refrigerante fuera de las tuberías podría generar un incendio o causar una lesión ocular. Si se detecta una fuga, evite cualquier llama descubierta o fuentes potenciales de incendio, y ventile el ambiente en el que se encuentra el electrodoméstico por varios minutos.

A manera de evitar la creación de una mezcla de gas y aire inflamable en caso ocurra una fuga en el circuito refrigerante, el tamaño de la habitación en el que el electrodoméstico se ubica deberá corresponder a la cantidad de refrigerante usada. El espacio debe ser de 10.8 pies cuadrados (1 metro cuadrado) por cada 8g de refrigerante R600a dentro del electrodoméstico. La cantidad de refrigerante en su electrodoméstico particular se muestra en la placa de identificación ubicada dentro del mismo. Nunca conecte un electrodoméstico mientras este muestre algún signo defectuoso. En caso de dudas, consulte con su distribuidor.

## PRECAUCIÓN

**Para reducir el riesgo de lesiones leves o moderadas a personas, el mal funcionamiento, o daño al producto o propiedad cuando use este producto, siga las precauciones básicas, incluido lo siguiente:**

### INSTALACIÓN

- No coloque el electrodoméstico en un lugar donde podría caerse.
- El refrigerador debe instalarse correctamente, teniendo en cuenta las instrucciones de instalación.

### FUNCIONAMIENTO

- No use aerosoles cerca del electrodoméstico.
- Este refrigerador está destinado únicamente a usos domésticos y similares.
- No golpee ni aplique demasiada fuerza en las superficies de vidrio. No toque las superficies de vidrio si están agrietadas o rotas.
- No llene ni envase en exceso los alimentos en los compartimentos de la puerta. Esto podría dañar el compartimento o provocar lesiones personales al retirar los alimentos aplicando una fuerza excesiva.
- No llene demasiado el electrodoméstico con alimento. Si lo hace, puede causar lesión personal o daño a la propiedad.

### MANTENIMIENTO

- No use detergentes fuertes como cera o diluyentes para la limpieza. Limpie con un trapo suave.
- Retire los objetos extraños (como polvo y agua) de las clavijas del enchufe y las áreas de contacto. No use un trapo mojado o húmedo para limpiar el enchufe.
- No rocíe agua directamente en el interior o exterior del electrodoméstico.
- Cuando estén fríos, no limpie los estantes de vidrio ni las tapas con agua caliente. Si se exponen a cambios de temperatura repentinos, podrían romperse.

**GUARDE ESTAS INSTRUCCIONES**

# ESPECIFICACIONES DEL PRODUCTO

La apariencia y las especificaciones detalladas en este manual podrían variar debido a mejoras constantes en el producto.

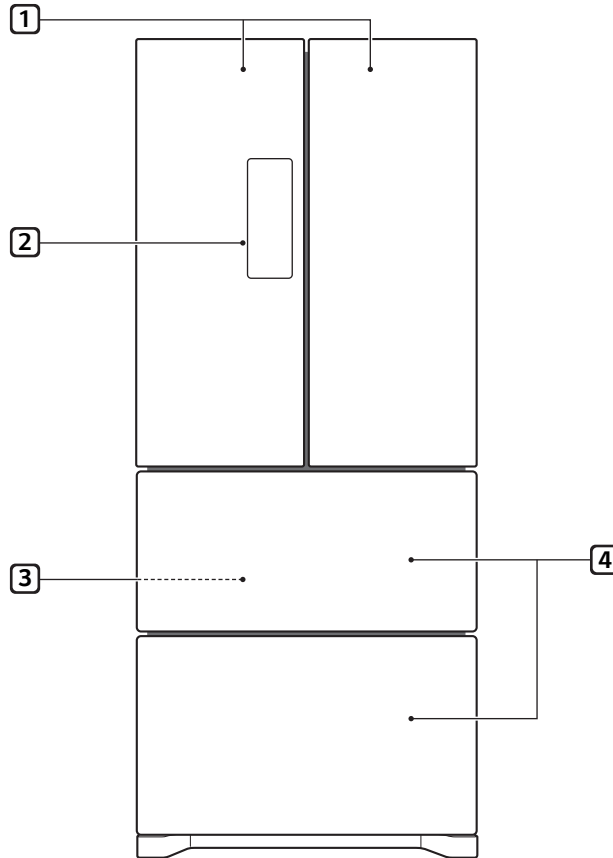
**Requerimientos Eléctricos:** 115 V, 60 Hz

<b>Modelo LRKNS1400V</b>	
<b>Descripción</b>	Refrigerador
<b>Peso neto</b>	266 lb (121 kg)

# DESCRIPCIÓN GENERAL DEL PRODUCTO

Las ilustraciones en esta guía pueden diferir de los componentes y accesorios reales, los cuales están sujetos a cambios sin previo aviso por parte del fabricante a fin de introducir mejoras en el producto.

## Exterior



### 1 Compartimentos de la izquierda y la derecha

Refrigere alimentos frescos o almacene kimchi. Vea la página 28 para más información acerca del uso de los compartimientos izquierdo y derecho.

- Los contenedores de kimchi para los compartimientos izquierdo y derecho sólo se han incluido en algunos modelos.
- Las cubiertas a prueba de escarcha para los compartimientos izquierdo y derecho sólo se han incluido en algunos modelos.

### 2 Panel de control

Ajuste los controles utilizando temperatura o tipo de alimentos.

- La apariencia y el diseño de la pantalla y del frente de los cajones varía en cada modelo.

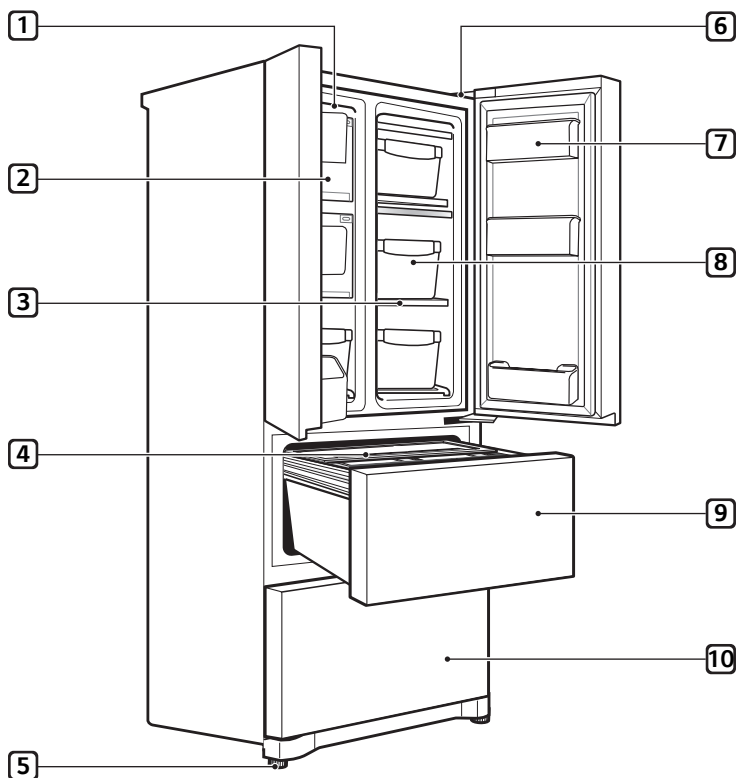
### 3 Interruptor del cajón medio/inferior.

Detecta cuando la cajones de medio/inferior se abre/cierra.

- Una alarma suena cuando el cajón no está completamente cerrado.
- El interruptor de la puerta está inclinado a manera de acomodar las diferentes ubicaciones de los cajones medio e inferior.

### 4 Cajones de CUSTOMCHILL™

## Interior



**1 Iluminación LED de los compartimientos izquierdo y derecho**

Se ilumina cuando las puertas están abiertas.

**2 Tapa flip-up**

**3 Estante**

**4 Contenedor del cajón**

Diseñado para sujetar el Contenedores de kimchi

**5 Pata niveladora**

Ajuste el tornillo para nivelar el electrodoméstico luego de moverlo o instalarlo.

**6 Smart Diagnosis™ (Diagnóstico Inteligente)**

Resolución de problemas basada en el patrón de uso.

- Vea la sección Utilizando Funciones Inteligentes para más detalles.

**7 Cubo de la puerta**

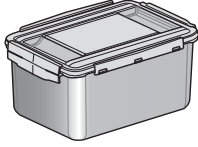
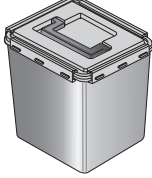
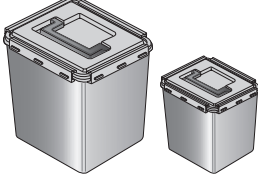
**8 Contenedor de kimchi**

Coloque alimentos en el contenedor de kimchi y ciérrelo de forma segura previo a almacenarlo.

**9 Compartimento medio**

**10 Compartimento inferior**

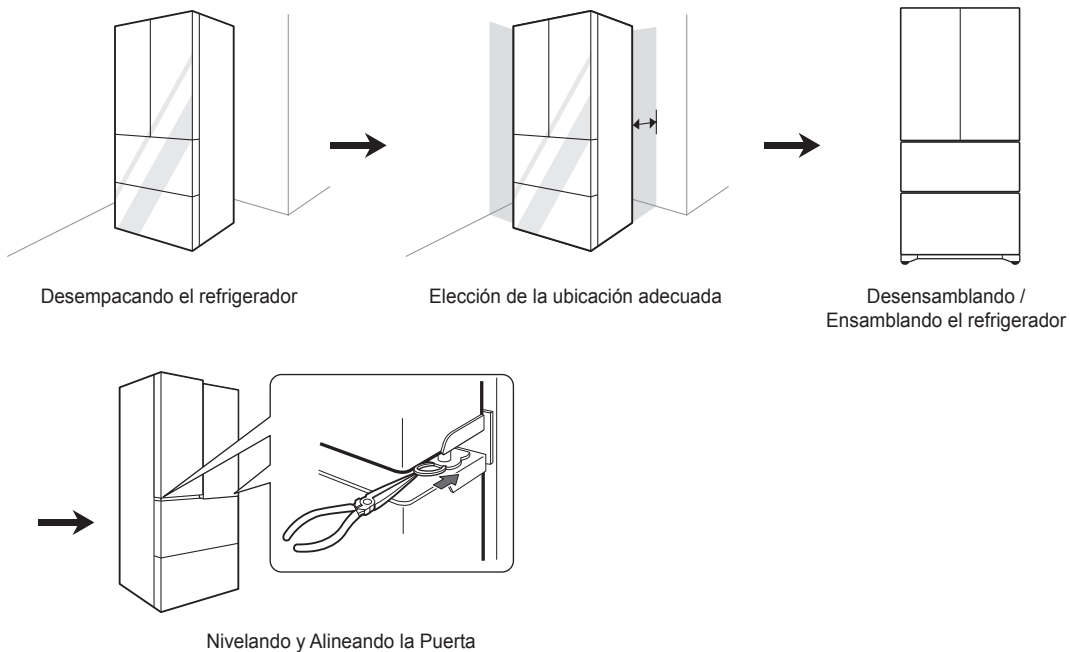
## Contenedores de Almacenaje de Kimchi

Contenedor de kimchi		Contenedor	Capacidad
Compartimentos de la izquierda / derecha		AKC67523411 : 6ea	2.3 gal (8.8 L)
Compartimento medio		AKC67523717 : 4ea	3 gal (11.5 L)
Compartimento inferior		AKC67523717 : 2ea AKC67523718 : 2ea	3 gal (11.5 L) 1.8 gal (6.7 L)

# INSTALACIÓN

## Descripción general de la instalación

Lea las siguientes instrucciones de instalación luego de adquirir este producto o transportarlo a otra ubicación.





## Desempacando el refrigerador

### **!** ADVERTENCIA

- Utilice a dos o más personas para mover e instalar el refrigerador. Si no lo hace, puede resultar en lesiones en la espalda o de otro tipo.
- El refrigerador es pesado. Proteja el piso al mover el refrigerador para limpieza o servicio. Siempre empuje el refrigerador hacia afuera al moverlo. No menee o sacuda el refrigerador al intentar moverlo pues puede dañar el piso.
- Mantenga materiales inflamables y vapores, como gasolina, alejados del refrigerador. Si no lo hace puede provocar un incendio, explosión o muerte.

### NOTA

- Remueva cinta adhesiva y cualquier etiqueta temporal de su refrigerador previo a su uso. No remueva ninguna etiqueta de precaución, modelo y número de serie, o la Hoja Técnica que se encuentra bajo la parte frontal del refrigerador.
- Para remover cualquier cinta adhesiva o goma restante frote enérgicamente el área con su pulgar. La cinta adhesiva o residuos de goma pueden ser fácilmente removidos frotando una pequeña cantidad de jabón líquido para platos con sus dedos. Limpie con agua caliente y seque.
- No utilice instrumentos puntiagudos, alcohol para frotar, fluidos inflamables o limpiadores abrasivos para remover cinta adhesiva o goma. Estos productos pueden dañar la superficie de su refrigerador.
- Reinstale o ajuste lo estantes como sea necesario. Los estantes del refrigerador están instalados en su posición de embarque. Reinstale los estantes de acuerdo a sus necesidades de almacenamiento individuales.

## Elección de la ubicación adecuada

### Electricidad

Utilice un enchufe con conexión a tierra individual: 115 Volts, 60 Hz, AC Amps mínimo.

### **!** ADVERTENCIA

- No sobrecargue el cableado de la casa ya que se podría producir un incendio al conectar múltiples electrodomésticos a un solo enchufe con el frigorífico.
- Para reducir el riesgo de descarga eléctrica, no instale el frigorífico en una zona húmeda.

## Suelo

Para evitar ruido y vibración, la unidad debe ser instalada y nivelada en un piso sólidamente construido. De ser necesario, ajuste el nivel de las patas para compensar la irregularidad del piso.

### NOTA

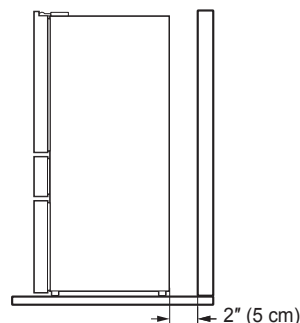
- No es recomendable la instalación sobre alfombrado, baldosas suaves o estructuras débilmente apoyadas.

## Temperatura ambiente

Instale este electrodoméstico en un área donde la temperatura esté entre 55 °F (13 °C) y 110 °F (43 °C).

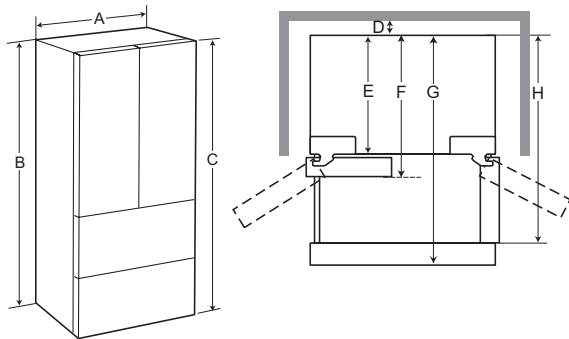
Si la temperatura alrededor del electrodoméstico es muy baja o alta, la capacidad de enfriamiento puede ser afectada negativamente.

- 1 Ubique el electrodoméstico donde sea fácil de utilizar.
- 2 Evite colocar la unidad cerca de fuentes de calor, luz solar directa o humedad.
- 3 Para asegurar la apropiada circulación de aire alrededor del refrigerador, deje espacio a ambos lados y en la parte superior del mismo. Deje 2 pulgadas (5 cm) de espacio entre la pared y la carcasa.
- 4 Para evitar vibraciones excesivas, el aparato debe estar nivelado.
- 5 No instale el electrodoméstico en una temperatura menor a 41°F (5°C). Ésto podría afectar su rendimiento.



## Dimensiones y Espacios

- Revise las dimensiones del electrodoméstico y el proceso de instalación para asegurar que haya suficiente espacio para mover el refrigerador a través de puertas o aperturas angostas.
- Si una apertura es muy angosta para que pase el refrigerador, remueva las puertas del refrigerador. Vea Removiendo/ensamblando puertas y estantes en este manual.
- La ubicación de instalación elegida para el refrigerador debería considerar espacio en la parte trasera de la unidad para conexiones, circulación de aire y espacio en el frente para abrir las puertas y estantes.
- Una distancia muy pequeña entre los elementos adyacentes puede resultar en capacidad de enfriamiento reducida y en cargos altos de consumo eléctrico. Deje al menos 22.6 pulgadas (575 mm) frente al refrigerador para abrir las puertas, y al menos 2 pulgadas (50.8 mm) entre la parte trasera del refrigerador y la pared.



-	Dimensión/Espacio	LRKNS1400V
A	Ancho	29 1/2" (750 mm)
B	Altura a la Punta de la Caja	70" (1756 mm)
C	Altura	70 3/4" (1797 mm)
D	Espacio Trasero	2" (50 mm)
E	Profundidad sin Puerta	26 7/8" (682 mm)
F	Profundidad	31 1/2" (801 mm)
G	Profundidad (Total con el cajón abierto)	49 1/2" (1259 mm)
H	Profundidad (Total con Puerta Abierta 90°)	44 5/8" (1134 mm)

## Removiendo/Ensamblando Puertas y Estantes

Si la puerta de entrada es muy angosta para que el refrigerador pase, remueva las puertas del mismo y mueva el refrigerador, de costado, a través de la puerta.

### ⚠ ADVERTENCIA

- Utilice a dos o más personas para remover e instalar las puertas del refrigerador y el estante del congelador.
- Desconecte la fuente de electricidad del refrigerador previo a instalarlo.
- No coloque las manos, los pies u otros objetos en la ventilación de aire ni en la parte inferior del refrigerador.
- Tenga cuidado al manejar la bisagra y la palanca.
- Extraiga los alimentos y recipientes antes de desprender las puertas y el estante.
- No sujete el agarrador al remover o reemplazar las puertas y el estante ya que esta podría destrabarse.

### Herramientas necesarias

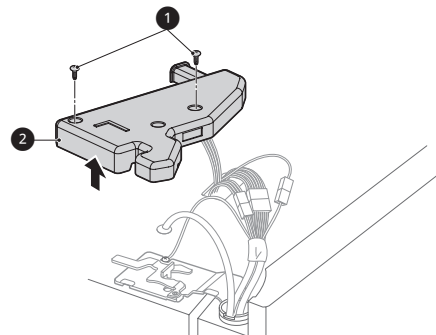
Llave Allen de 3/32 pulgadas

Llave Allen de 1/8 pulgadas

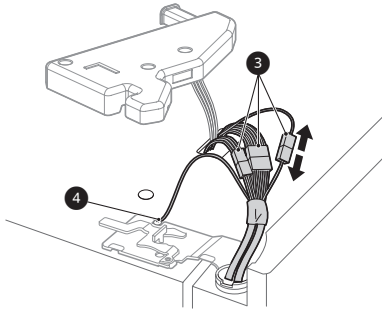
Llave Allen de 1/4 pulgadas

## Removiendo la Puerta Izquierda del Refrigerador

- 1 Remueva el tornillo ❶ de la cubierta de la bisagra en la parte superior del refrigerador. Levante el gancho (no visible), ubicado en la parte inferior del lado delantero de la cubierta ❷ con un destornillador plano.



- 2 Remueva la cubierta. Desconecte todos los arneses de cables 3. Desatornille el cable de tierra 4.



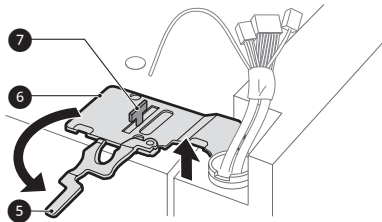
**NOTA**

- El número de arneses de cables puede variar dependiendo del modelo.

- 3 Rote la palanca de la bisagra 5 hacia la izquierda. Libere la bisagra superior 6 del picaporte de la manija de la bisagra 7.

**! PRECAUCIÓN**

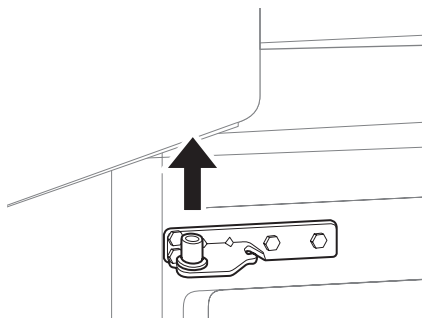
- Al liberar la bisagra del picaporte, tenga cuidado de que la puerta no se caiga hacia adelante.



- 4 Levante la puerta del centro del perno de la bisagra y remuévala.

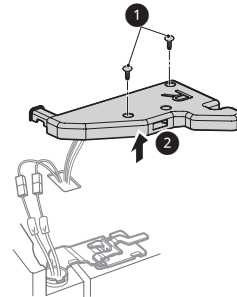
**! PRECAUCIÓN**

- Coloque la puerta, de adentro hacia afuera, en una superficie que no la raye.

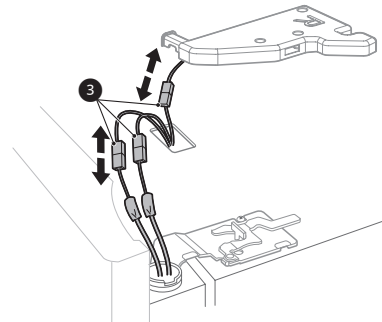


**Removiendo la Puerta Derecha del Refrigerador**

- 1 Remueva el tornillo de la cubierta superior de la bisagra 1. Levante el gancho (no visible), ubicado en la parte inferior del lado delantero de la cubierta 2, con un destornillador plano.



- 2 Remueva todos los arneses de cables 3.



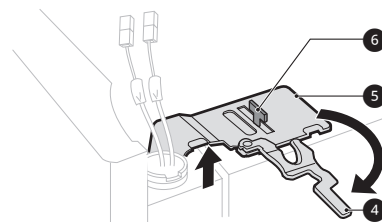
**NOTA**

- El número de arneses de cables puede variar dependiendo del modelo.

- 3 Rote la palanca de la bisagra 4 hacia la derecha. Libere la bisagra superior 5 del picaporte de la manija de la bisagra 6.

**! PRECAUCIÓN**

- Al liberar la bisagra del picaporte, tenga cuidado de que la puerta no se caiga hacia adelante.

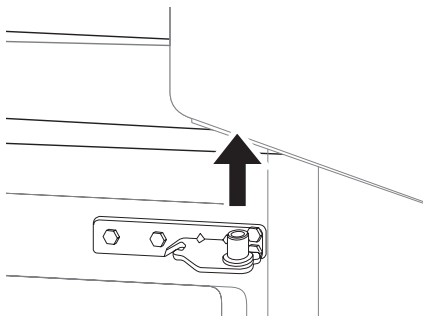


## 16 INSTALACIÓN

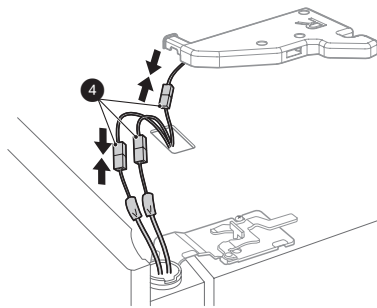
- Levante la puerta del centro del perno de la bisagra y remuévala.

### **!** PRECAUCIÓN

- Coloque la puerta, de adentro hacia afuera, en una superficie que no la raye.



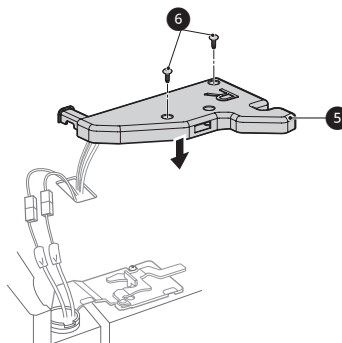
- Conecte los arneses de cables **4**.



### NOTA

- El número de arneses de cables puede variar dependiendo del modelo.

- Coloque la cubierta de la bisagra **5** en su lugar. Inserte y asegure el tornillo de la cubierta **6**.

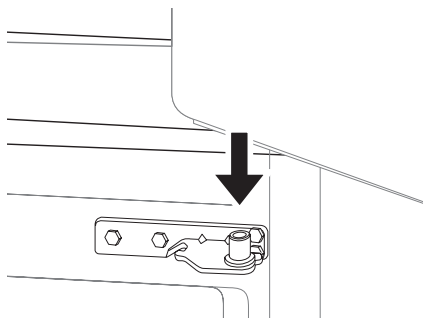


### Ensamblando la Puerta Derecha del Refrigerador

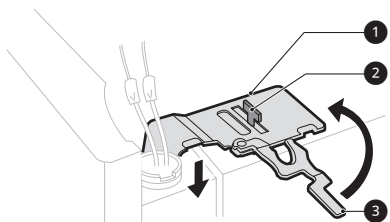
### **!** PRECAUCIÓN

- Instale la puerta del lado derecho primero.

- Asegúrese de que la funda de plástico esté insertada al fondo de la puerta. Baje la puerta al centro del perno de la bisagra como se muestra en la figura.



- Ajuste la bisagra **1** sobre el picaporte de la manija de la bisagra **2** y encájela en su lugar. Rote la manija **3** hacia la izquierda para asegurar la bisagra.

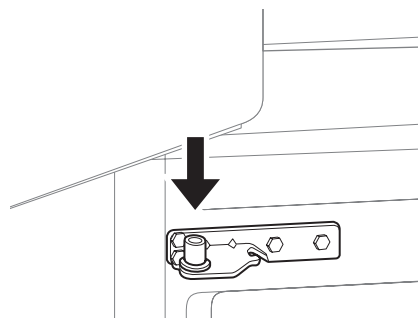


### Ensamblando la Puerta Izquierda del Refrigerador

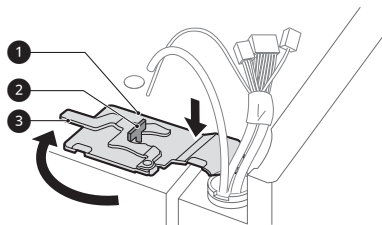
### **!** PRECAUCIÓN

- Instale la puerta izquierda del refrigerador luego de haber instalado la puerta derecha.

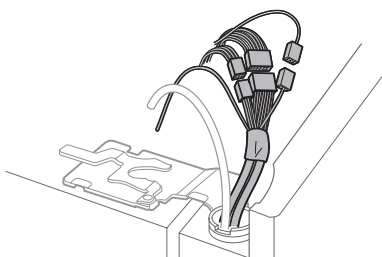
- Asegúrese de que la funda de plástico esté insertada al fondo de la puerta. Instale la puerta del refrigerador en la bisagra del medio.



- 2 Ajuste la bisagra ❶ sobre el picaporte de la manija de la bisagra ❷ y encájela en su lugar. Rote la manija ❸ en la dirección del reloj y asegure la bisagra.



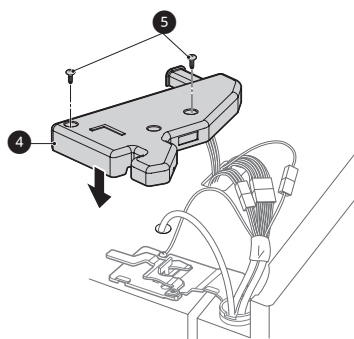
- 3 Conecte todos los arneses de cables y el cable a tierra.



**NOTA**

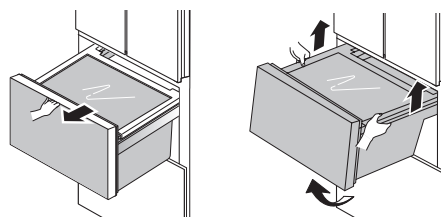
- El número de arneses de cables puede variar dependiendo del modelo.

- 4 Coloque la cubierta ❹ en su lugar. Inserte y ajuste el tornillo de la cubierta ❺.



**Desmontaje del cajón CustomChill**

- 1 Abra completamente el cajón.
- 2 Levante levemente el conjunto del cajón y de la cesta hasta que despeje los rieles de seguridad y proceda a tirar de él hasta que se detenga.
- 3 Levante el conjunto de la cesta y el cajón para removerlo.

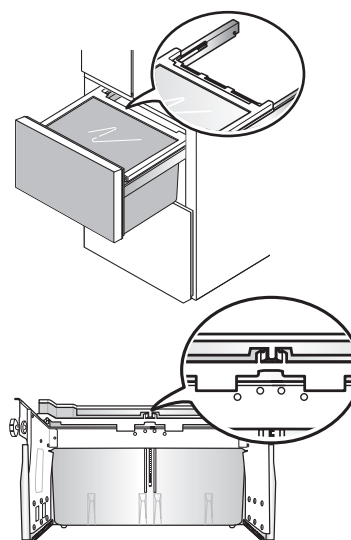


Para reensamblar el cajón, alinéelo con los rieles e insértelo hasta que se detenga, luego levántelo para despejar los rieles de seguridad y empujelo completamente.

- Abra las puertas izquierda y derecha previo a remover o ensamblar el cajón del medio.
- Las cestas no pueden removerse separadamente del cajón inferior o medio. Debe remover el conjunto completo de cesta y cajón al mismo tiempo.

**PRECAUCIÓN**

- Tenga cuidado de no lastimar sus pies al remover el cajón inferior.
- Los conjuntos de cesta y cajón son pesados. Vacíe el contenido previo a remover el conjunto y utilice una técnica adecuada al levantarlo para evitar lastimarse.



## Nivelando y Alineando la Puerta

Puede que no sea posible nivelar las puertas cuando el piso no lo esté, o si éste es producto de una construcción pobre o débil. El refrigerador es pesado y debe ser instalado en una superficie sólida y rígida.

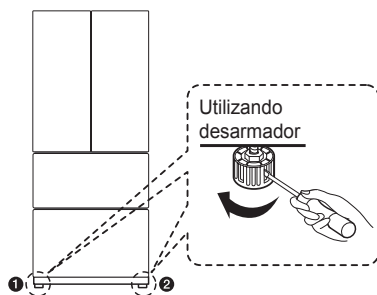
Algunos pisos de madera pueden causar problemas con el nivelado si se flexionan excesivamente.

### Nivelando

- Si el piso está desnivelado, nivele el refrigerador para evitar ruidos y vibración.

#### **!** PRECAUCIÓN

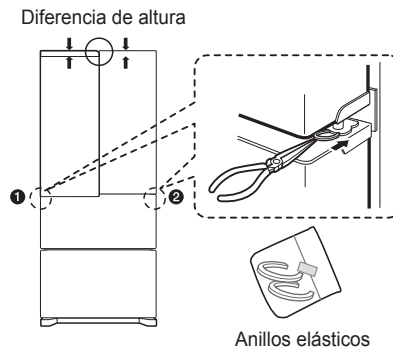
- Ajuste las patas niveladoras frontales a manera de que estén más bajas que las ruedas. El peso del refrigerador debe caer sobre las patas, no sobre las ruedas, a manera de evitar que se mueva o vuelque.



Para nivelar el refrigerador utilice un destornillador para girar las patas niveladoras hasta que éstas estén en contacto firme con el piso. La parte frontal del refrigerador puede estar un poco más alta que la trasera a manera de cerrar las puertas más fácilmente.

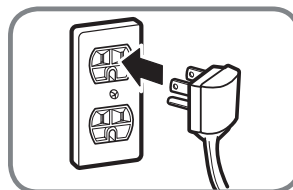
## Alineamiento de la Puerta

- Si la puerta del lado izquierdo está más baja, ajuste la bisagra del lado ①.
- Si la puerta del lado derecho está más baja, ajuste la bisagra del lado ②.
- Los anillos elásticos se han proveído con esta unidad. Abra la puerta y levántela por debajo. Inserte anillos elásticos hasta que las puertas estén alineadas.



## Encendido

- Luego de la instalación, conecte el cable de corriente a un enchufe con conexión a tierra de tres espigas y empuje el refrigerador a su posición final.



#### **!** PRECAUCIÓN

- Conecte a un enchufe de potencia nominal.
- Haga que un técnico certificado verifique que el tomacorriente de pared y los cables estén adecuadamente conectados a tierra.
- No dañe o corte la terminal de tierra del enchufe de poder

# FUNCIONAMIENTO

## Antes de Usar



### Limpe el refrigerador.

Limpe el refrigerador intensivamente y sacuda todo el polvo acumulado durante el envío.

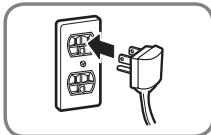
### **!** PRECAUCIÓN

- No raye el refrigerador con objetos puntiagudos ni use detergente que contenga alcohol, líquidos inflamables o abrasivos al remover cualquier cinta o adhesivo del mismo. Remueva los residuos de adhesivos borrándolos con su pulgar o detergente para platos.
- No despegue la etiqueta de número de serie, modelo o información técnica del panel trasero del refrigerador.



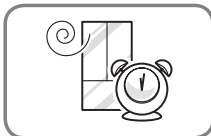
### Abra las puertas del refrigerador y los estantes del congelador para ventilar el interior.

El interior del refrigerador puede oler a plástico al inicio. Remueva toda cinta adhesiva del interior del refrigerador y abra las puertas del refrigerador y los estantes para ventilación.



### Conecte la fuente de energía.

Verifique que la fuente de energía esté conectada previo a usar.

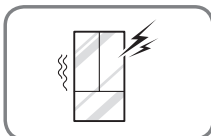


### Espere a que el refrigerador enfríe.

Permita que el refrigerador funcione por al menos dos o tres horas previo a colocar alimentos en él. Verifique el flujo de aire frío en el compartimento para asegurar el enfriado adecuado.

### **!** PRECAUCIÓN

- Si coloca alimentos en el refrigerador previo a que éste haya enfriado puede causar que los alimentos se echen a perder o que un mal olor permanezca en su interior.

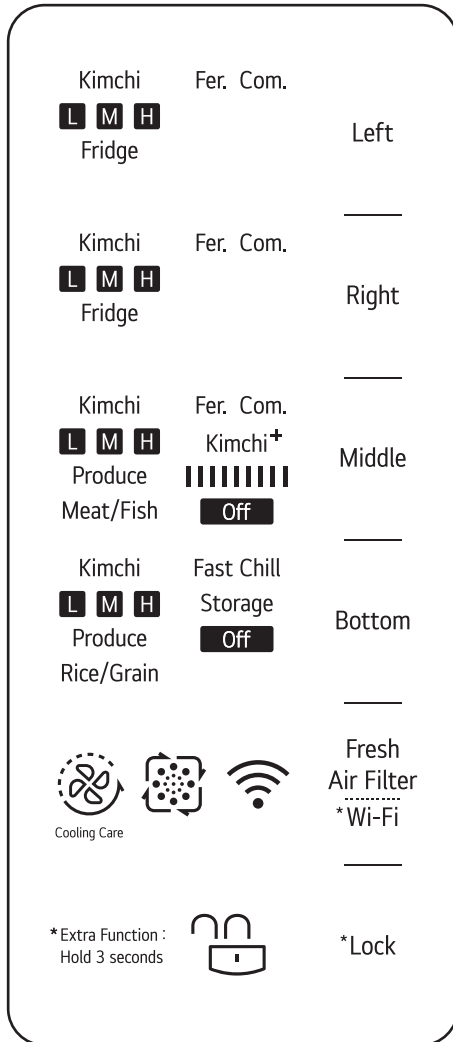


### El refrigerador hace un sonido fuerte luego de la operación inicial.



Esto es normal. El volumen disminuirá conforme la temperatura baje.

## Panel de control

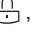
### Funciones del panel de control



### Utilizando los Botones Táctiles

- El panel táctil opera en respuesta a la electricidad estática al detectar un cuerpo u objeto capacitivo cerca.
- Para operar los botones, toque el centro del texto en cada botón con su dedo.
- El icono Lock (Bloqueo)  o Unlock (Desbloqueo)  aparece en la pantalla todo el tiempo.
- Puede que los botones se activen inesperadamente si entran en contacto con su piel durante la limpieza u otros momentos.
- Puede que los botones no se activen apropiadamente si el panel de control está sucio o si está usando guantes.
- Cuando el refrigerador recibe alimentación eléctrica, la pantalla se enciende automáticamente.

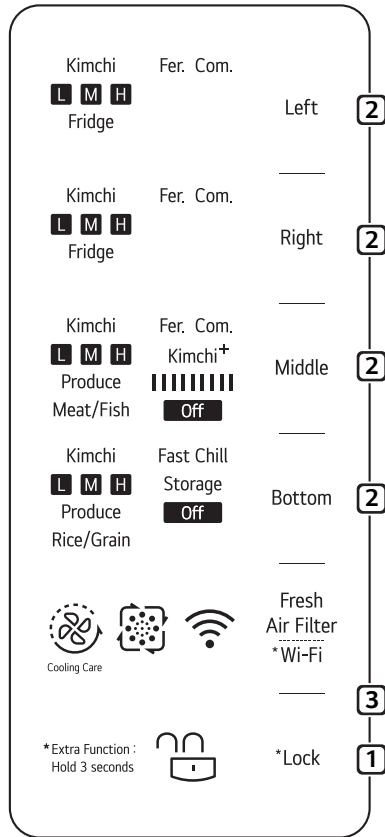
#### NOTA

- Dependiendo del modelo, el aspecto de la pantalla y las puertas de los compartimentos central/inferior puede variar.
- Luego de 60 segundos de inactividad, todas las luces en la pantalla, a excepción del icono Lock (Bloquear) , se apagarán a manera de ahorrar energía. Esto es parte de la operación normal. Presione cualquier botón a manera de activar la pantalla y mostrar los ajustes actuales.



Antes de almacenar o fermentar kimchi, utilice esta sección para familiarizarse con las partes y funciones del panel de control.

Antes de utilizar el refrigerador de kimchi LG, mantenga presionado el botón Lock/Unlock (Bloquear/Desbloquear) por 3 segundos para desbloquear la pantalla.



**1 La función Lock previene que los niños u otras personas cambien los ajustes accidentalmente.**

- Antes de cambiar los ajustes, mantenga presionado Lock por 3 segundos para desbloquear la pantalla.
- Después de cambiar los ajustes, mantenga presionado Lock por 3 segundos para bloquear la pantalla y prevenir cambios accidentales.

**NOTA**

- La función Lock bloquea todas las funciones de la pantalla a excepción del botón Lock. Si un botón es presionado, el icono Lock/Unlock parpadeará 3 veces.
- La función Lock se enciende automáticamente luego de 60 segundos si el panel de control permanece inactivo.

**2 Presionelo para ajustar el modo o temperatura para cada compartimiento.**

- Ajustes disponibles para los compartimientos izquierdo y derecho: **Kimchi, Fridge(Refrigerador), o Fer.(Fermentación).**
- Ajustes disponibles para el compartimiento medio: **Kimchi, Produce(Productos Frescos), Meat/ Fish(Carne/Pescado), Kimchi+, Fer. (Fermentación), o Off(Apagado).**
- Ajustes disponibles para el compartimiento inferior: **Kimchi, Produce(Producción), Rice/Grain(Arroz/ Granos), Storage(Almacenaje), Fast Chill (Escalofrío Rápido), o Off(Apagado).**

**NOTA**

- Seleccione los ajustes de acuerdo a los alimentos a almacenar. (Consulte cómo almacenar kimchi inferior en la página 22 para obtener información detallada sobre los métodos de control.)

**3 Presione para ajustar el modo Fresh Air Filter (Filtro de Aire Fresco). Mantengalo presionado para conectar a Wi-Fi.**

**NOTA**

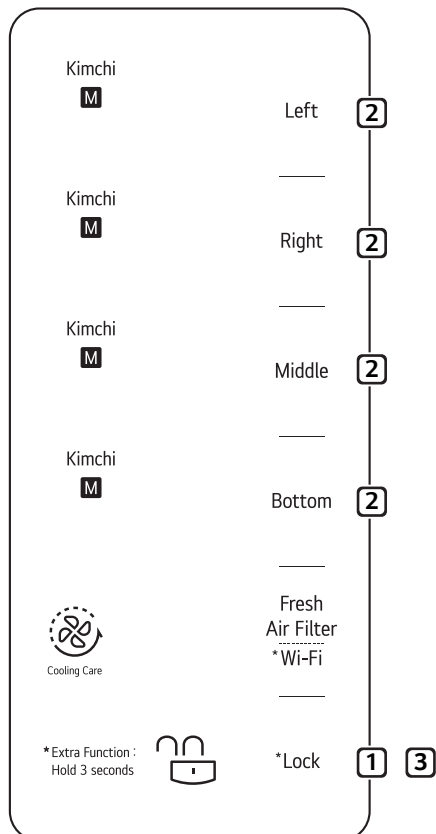
- Previo a utilizar las funciones, debe mantener presionado el botón Lock por 3 segundos para desbloquear la pantalla. Almacene los artículos en cualquier compartimento y fermente el kimchi en los compartimentos izquierdo, derecho o medio.
  - Para fermentar kimchi en el compartimiento medio, coloque el kimchi en el cajón del medio y toque el botón Middle repetidamente para seleccionar los ajustes de Fermentación.

## Almacenamiento de Kimchi (Todos los Compartimientos)

### Consejos para el Almacenaje de Kimchi

El kimchi puede prepararse con diferentes ingredientes.

La temperatura de almacenaje óptima para el kimchi dependerá de los ingredientes principales, así como de los condimentos utilizados. Utilice el ajuste Low (Bajo) para kimchi con un alto contenido en agua. Utilice el ajuste Strong (Fuerte) para kimchi muy salado o condimentado.



#### 1 Desbloquee la pantalla.

- Mantenga presionado el botón **Lock** por aproximadamente 3 segundos para desbloquear la pantalla. Debe desbloquear la pantalla previo a poder realizar un cambio de ajustes.

#### 2 Presione los botones **Left (Izquierdo)**, **Right (Derecho)**, **Middle (Medio)**, o **Bottom (Inferior)**, para cambiar los ajustes de cada compartimiento.

- Presione repetidamente cada botón para navegar a través de los ajustes para dicho compartimiento.
- Conforme presione los botones, los ajustes cambiarán en el siguiente orden.

#### Compartimentos de la izquierda y la derecha

Kimchi: M → H → L ➡ Fridge(Refrigerador):  
M → H → L ➡ Fer.(Fermentación)

#### Compartimento central

Kimchi: M → H → L ➡ Produce(Productos Frescos):  
M → H → L ➡ Meat/Fish(Carne/Pescado) ➡  
Kimchi+ ➡ Fer.(Fermentación) ➡ Off(Apagado)

#### Compartimento inferior

Kimchi: M → H → L ➡ Produce(Productos Frescos):  
M → H → L ➡ Rice/Grain(Arroz/ Granos) ➡  
Storage(Almacenaje) ➡ Fast Chill(Escalofrío Rápido)  
➡ Off(Apagado)

- Seleccione la temperatura adecuada para el tipo y la salinidad del kimchi.

- L = Enfriamiento Bajo (Frío)
- M = Enfriamiento Medio (Más Frío)
- H = Enfriamiento Alto (El más frío)

#### 3 Presione el botón **Lock** para bloquear la pantalla e iniciar el almacenaje de kimchi.

## Fermentando Kimchi en los Compartimientos Izquierdo/Drecho/Medio

### NOTA

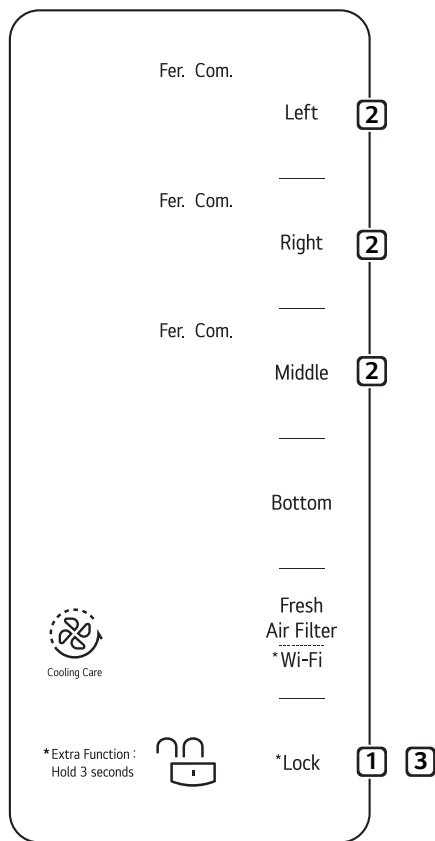
- El kimchi se fermenta más rápidamente en la configuración Fermentation (Fermentación) que en la de Storage (Almacenaje).

### Fermentando

El refrigerador detecta la temperatura exterior y, en base a la temporada, configura automáticamente los ajustes de fermentación para obtener los mejores resultados.

### Indicador de Fermentación Completada

Un indicador se enciende en la pantalla en cuanto se completa la fermentación. El tiempo de fermentación varía dependiendo de la temporada, la temperatura ambiente, y la temperatura que se ha establecido para el kimchi (baja/media/alta).



#### 1 Desbloquee la pantalla.

- Mantenga presionado el botón **Lock** por aproximadamente 3 segundos para desbloquear la pantalla. Debe desbloquear la pantalla previo a poder realizar un cambio de ajustes.

#### 2 Presione el botón del compartimento deseado para seleccionar Fermentation (Fermentación).

- Presione Left (Izquierdo), Right (Derecho) o Middle (Medio) repetidamente para seleccionar Fermentation (Fermentación).

#### 3 Presione el botón Lock (Bloquear) para bloquear la pantalla e iniciar la fermentación del kimchi.

### Cancelando la Fermentación

Para cancelar la fermentación, desbloquee la pantalla y presione el botón del compartimento para cambiar sus ajustes.

### Almacenando Kimchi Fermentado

Cuando la fermentación se ha completado, el indicador Fer. Com. se enciende y "Kimchi M" aparece en la pantalla de temperatura.

Presione el botón Lock para apagar el indicador y cambiar el ajuste.

## Refrigeración de alimentos (Compartimiento izquierdo/derecho)

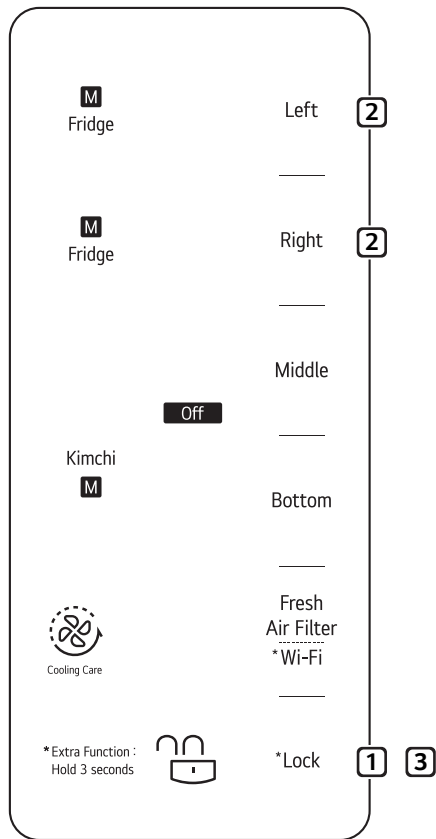
- Sólo los compartimientos Izquierdo y Derecho pueden utilizarse para refrigeración.

### NOTA

- Si el kimchi se almacena en la configuración Fridge (Refrigerador), éste podría fermentarse muy rápidamente.

### Almacenando Otros Alimentos

Puede que el olor a kimchi se mantenga dentro de los compartimientos del refrigerador luego de haberlo almacenado. Limpie los compartimientos previo a utilizarlos para almacenar otros alimentos. Vea la sección de **Mantenimiento** para obtener instrucciones.



### 1 Desbloquee la pantalla.

- Mantenga presionado el botón **Lock** por aproximadamente 3 segundos para desbloquear la pantalla.  
Debe desbloquear la pantalla previo a poder realizar un cambio de ajustes.

### 2 Presione repetidamente cada botón para navegar a través de los ajustes para dicho compartimiento.

- Presione cada botón repetidamente para seleccionar **Fridge** (Refrigerador).
- Conforme presione los botones, los ajustes cambiarán en el siguiente orden.

#### Compartimentos de la izquierda y la derecha

Kimchi: M → H → L ➔ Fridge(Refrigerador):  
M → H → L ➔ Fer.(Fermentación)

- L = Enfriamiento Bajo (Frío)
- M = Enfriamiento Medio (Más Frío)
- H = Enfriamiento Alto (El más frío)

### 3 Presione el botón Lock (Bloquear) para bloquear la pantalla e iniciar la refrigeración.

## Ajustes de Almacenaje Extendido de Alimentos (Compartimiento Medio/Inferior)

- Esta configuración sólo está disponible en los compartimientos medio e inferior.

### Produce(Productos Frescos)

- Utilizado para mantener frescos los vegetales y las frutas por un largo periodo de tiempo.

### Meat/Fish(Carne/Pescado)

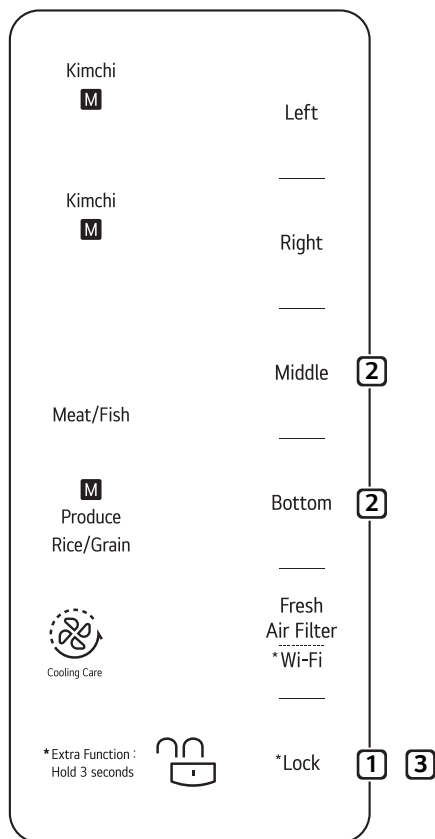
- Utilizado para mantener frescas las carnes y el pescado.

### Rice/Grain(Arroz/ Granos)

- Se usa para mantener fresco el arroz y el granos.

### NOTA

- Si el kimchi se almacena en la configuración Carne/Pescado, éste podría congelarse.



### 1 Desbloquee la pantalla.

- Mantenga presionado el botón **Lock** por aproximadamente 3 segundos para desbloquear la pantalla. Debe desbloquear la pantalla previo a poder realizar un cambio de ajustes.

### 2 Presione los botones Middle (Medio) o Bottom (Inferior) para cambiar los ajustes de cada compartimiento.

- Presione cada botón repetidamente para seleccionar la configuración deseada.
- Conforme presione los botones, los ajustes cambiarán en el siguiente orden.

#### Compartimento medio

Kimchi: M → H → L ➡ Produce(Productos Frescos): M → H → L ➡ Meat/Fish(Carne/Pescado) ➡ Kimchi+ ➡ Fer.(Fermentación) ➡ Off(Apagado)

- La configuración Meat/Fish congela levemente la carne o el pescado a manera de extender su tiempo de almacenaje.

#### Compartimento inferior

Kimchi: M → H → L ➡ Produce(Productos Frescos): M → H → L ➡ Rice/Grain(Arroz/ Granos) ➡ Storage(Almacenaje) ➡ Fast Chill(Escalofrío Rápido) ➡ Off(Apagado)

- Seleccione la temperatura adecuada para el tipo y la salinidad del kimchi.
- L = Enfriamiento Bajo (Frío)  
M = Enfriamiento Medio (Más Frío)  
H = Enfriamiento Alto (El más frío)

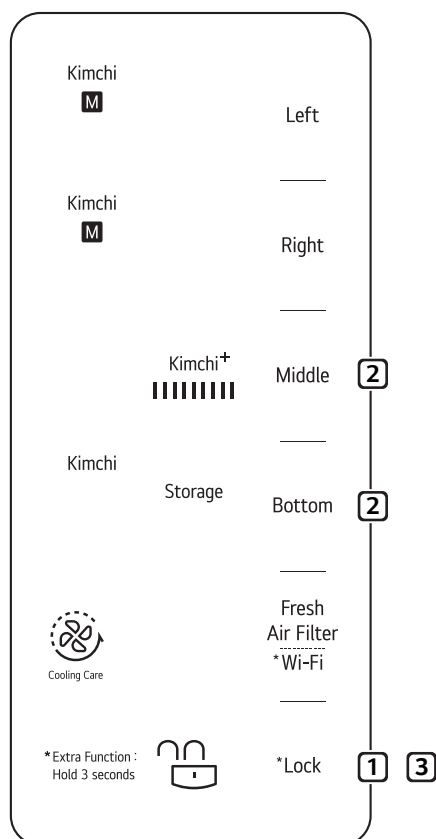
### 3 Presione el botón Lock (Bloquear) para bloquear la pantalla e iniciar el almacenaje.

- El almacenaje inicia cuando el icono Lock (Bloquear) se enciende.

## Utilizando el Modo de Almacenaje Kimchi+ (Compartimientos medio/inferior)

### Kimchi+

- Utilice esta configuración para kimchi de rábano. El enfriado rápido ralentiza la fermentación y alienta la formación de ácido láctico, el cual mantiene el kimchi fresco por más tiempo.
  - Esta configuración sólo está disponible en el compartimiento del medio.
  - Utilice esta configuración únicamente para kimchi de repollo. Tipos de kimchi menos salados podrían congelarse si se almacenan en esta configuración.
  - Utilice esta configuración únicamente para kimchi fresco preparado.
  - Utilizar esta configuración dos veces podría fermentar demasiado el kimchi. Utilícela únicamente una vez.
  - Las barras de luz indican el proceso de fermentación. El kimchi está listo para servirse cuando todas las barras se encienden (aproximadamente 6 días).



### Storage(Almacenamiento)

- Esta configuración utiliza la función Smart Cold Shock (Choque Frío Inteligente) para almacenar el kimchi a la temperatura más baja y conservar su sabor por períodos de tiempo más largos.
- Esta configuración sólo está disponible en el compartimiento inferior.
- Puede que los vegetales se congelen si se almacenan en esta configuración.

### 1 Desbloquee la pantalla.

- Mantenga presionado el botón **Lock** por aproximadamente 3 segundos para desbloquear la pantalla. Debe desbloquear la pantalla previo a poder realizar un cambio de ajustes.

### 2 Presione los botones Middle (Medio) o Bottom (Inferior) para cambiar los ajustes de cada compartimiento.

- Presione cada botón repetidamente para seleccionar Storage (Almacenaje)
- Conforme presione los botones, los ajustes cambiarán en el siguiente orden.

#### Compartimiento medio (Kimchi+)

Kimchi: M → H → L ➡ Produce(Productos Frescos):  
 M → H → L ➡ Meat/Fish(Carne/Pescado)  
 ➡ Kimchi+ ➡ Fer.(Fermentación) ➡ Off(Apagado)

#### Compartimiento Inferior (Storage (almacenaje))

Kimchi: M → H → L ➡ Produce(Productos Frescos):  
 M → H → L ➡ Rice/Grain(Arroz/ Granos) ➡  
 Storage(Almacenaje) ➡ Fast Chill(Escalofrío Rápido)  
 ➡ Off(Apagado)

- Seleccione la temperatura adecuada para el tipo y la salinidad del kimchi.
- Cuando se ha seleccionado **Storage** (Almacenaje), **Kimchi** se enciende automáticamente. Puede que los vegetales y las frutas se congelen si se almacenan en esta configuración.

### 3 Presione el botón Lock (Bloquear) para bloquear la pantalla.

- **Kimchi+** o Storage (Almacenaje) inicia cuando la luz al lado del botón está en .

### Reiniciando la función Kimchi+

- Para reiniciar la configuración de Kimchi+, cancele el modo Kimchi+ y reinicielo.
  - Paso 1 (Cancelar): Unlock → Kimchi → Lock
  - Paso 2 (Reiniciar): Unlock → Kimchi+ → Lock

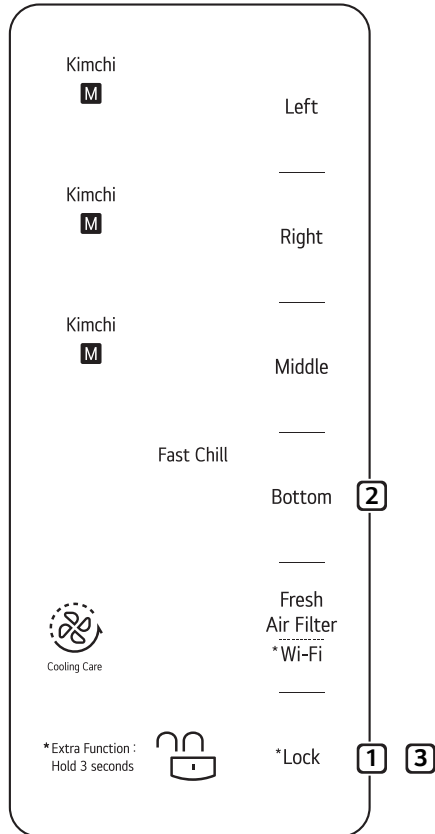
## Utilizando el Método de Almacenaje Fast Chill (Compartimiento Inferior)

### Fast Chill

- Utilice esta configuración para almacenar kimchi preparado comercialmente. El kimchi adquirido en tiendas ya ha sido fermentado, por lo que lo mejor es enfriarlo lo más rápido posible.

### NOTA

- Al utilizar la función Fast Chill asegúrese de separar el kimchi comprado del que ya tenía almacenado. Utilizar esta configuración con kimchi que ya había sido enfriado podría congelarlo.



### 1 Desbloquee la pantalla.

- Mantenga presionado el botón **Lock** por aproximadamente 3 segundos para desbloquear la pantalla. Debe desbloquear la pantalla previo a poder realizar un cambio de ajustes.

### 2 Presione el botón del compartimiento inferior.

- Presione **Bottom** (Inferior) repetidamente para seleccionar **Fast Chill**.
- Conforme presione los botones, los ajustes cambiarán en el siguiente orden.

#### Compartimento inferior

Kimchi: M → H → L ➡ Produce(Productos Frescos):  
 M → H → L ➡ Rice/Grain ➡ Storage(Almacenaje)  
 ➡ Fast Chill(Escalofrío Rápido) ➡ Off(Apagado)

### 3 Presione el botón Lock (Bloquear) para bloquear la pantalla.

- El Fast Chill(Enfriado Rápido) inicia cuando el icono Lock (Bloquear) se enciende.

### NOTA

- Espere 48 horas previo a reiniciar la configuración Fast Chill. Para prevenir que el kimchi se congele, la configuración Fast Chill no puede ser reiniciada durante las 48 horas desde que se seleccionó.

### Reiniciando la Configuración Fast Chill

- Para almacenar kimchi recientemente comprado, cancele la configuración Fast Chill y reiniciela.
  - Paso 1 (Cancelar): Unlock(Desbloquear) → Kimchi → Lock(Bloquear)
  - Paso 2 (Reiniciar): Unlock(Desbloquear) → Fast Chill → Lock(Bloquear)



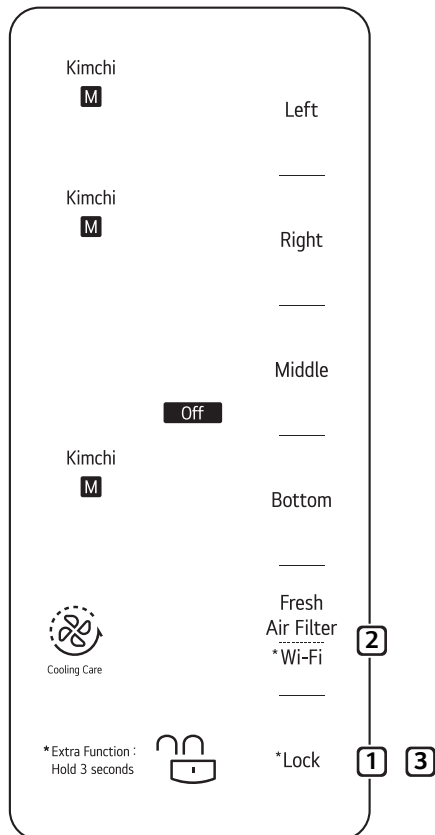
## Uso de Fresh Air Filter(Filtro de Aire Fresco) y Wi-Fi

### Fresh Air Filter (Filtro de Aire Fresco)

Utilice esta función para mejorar la circulación de aire y ayudar a remover olores dentro del refrigerador.

### Wi-Fi

Utilice esta función para conectar el producto a una red doméstica Wi-Fi y acceder a las funciones inteligentes a través de la aplicación LG ThinQ.



### Configurando la Función Fresh Air Filter(Filtro de Aire Fresco)

#### 1 Desbloquee la pantalla.

- Mantenga presionado el botón **Lock** por aproximadamente 3 segundos para desbloquear la pantalla. Debe desbloquear la pantalla previo a poder realizar un cambio de ajustes.

#### 2 Presione Fresh Air Filter/Wi-Fi (Filtro de Aire Fresco/Wi-Fi)

- Presione el botón Fresh Air Filter/Wi-Fi La desodorización inicia, y la luz LED se mantiene encendida hasta que ésta se haya completado.

#### 3 Presione el botón Lock (Bloquear) para bloquear la pantalla e iniciar la fermentación del kimchi.

- La desodorización inicia una vez bloqueada la pantalla.

#### NOTA

- Con el uso repetido, puede que el filtro se sature y no sea tan efectivo. Vea la página 33 para obtener instrucciones acerca de la limpieza y la reutilización del filtro.

### Configurando la Función Wi-Fi

#### 1 Desbloquee la pantalla.

- Mantenga presionado el botón **Lock** por aproximadamente 3 segundos para desbloquear la pantalla. Debe desbloquear la pantalla previo a poder realizar un cambio de ajustes.

#### 2 Mantenga presionado el botón Fresh Air Filter/Wi-Fi por aproximadamente 3 segundos.

- El icono Wi-Fi se encenderá cuando el producto exitosamente haya conectado al internet.
- Para desconectar el producto de la red Wi-Fi, utilice los Ajustes en la aplicación para borrarlo de los productos conectados.



## Almacenando Alimentos

### Consejos de Almacenamiento de Alimentos

- **Almacenar verduras y frutas**  
La humedad que queda en los vegetales luego de lavarlos puede que favorezca a que estos se echen a perder más rápidamente. No lave sus vegetales hasta que esté a punto de utilizarlos. Hojas frondosas como la del col o la lechuga tienen un tiempo de almacenaje limitado. Envuélvalas en papel periódico o colóquelas en contenedores sellados para ayudar a mantenerlas frescas por más tiempo.
- **No almacene frutas tropicales en el refrigerador.**  
Los bananos y las piñas sin cortar se dañan a bajas temperaturas.
- Para almacenar mariscos secos, seleccione "Produce" para el compartimiento medio y ajuste la temperatura de almacenaje a "low" (baja).
- Ya que los vegetales o las frutas podrían congelarse en los compartimientos medio/inferior, asegúrese de almacenarlos en los contenedores designados.
- **§ Para almacenar arroz o granos**, utilice el compartimiento inferior luego de seleccionar "Rice/Grain" como tipo de alimentos.
- Puede que los vegetales se congelen si son almacenados en el compartimiento inferior luego de seleccionar "Storage".
- Puede que el kimchi se congele si es almacenado en el compartimiento del medio luego de seleccionar "Meat/Fish".

### Consejos para Almacenar Kimchi

- **No llene demasiado los contenedores de kimchi.**  
Deje suficiente espacio para que el kimchi se expanda conforme se fermente, o el contenido podría desbordarse del contenedor. Cierre las tapas del contenedor completamente para prevenir que el kimchi se fermente muy rápidamente o que desarrolle levadura o moho. Llene de kimchi el refrigerador hasta la línea de llenado y asegúrese de que la tapa esté bien cerrada previo al almacenaje. Cubra la superficie del kimchi con envoltorio plástico para extender su tiempo de almacenaje.
- **No coloque kimchi directamente en el compartimiento del refrigerador ni lo almacene en una bolsa plástica.**  
Utilice el contenedor de kimchi suministrado para almacenarlo. El kimchi colocado directamente en el compartimiento del refrigerador podría congelarse y adquirir un sabor agrio. No bloquee con alimentos la salida de aire dentro del refrigerador. Hacerlo podría provocar que esos se congelen, afectar el rendimiento del refrigerador, u ocasionar una descarga eléctrica o heridas.
- **Para obtener los mejores resultados, revise su kimchi 3 o 4 días desde su almacenaje.**  
Si el kimchi se ha desbordado del contenedor, puede que se fermente muy rápidamente y que no se almacene de forma adecuada.
- **No coloque alimentos que requieran diferentes condiciones de almacenaje en el mismo compartimiento.**  
Seleccione los ajustes apropiados para el tipo de alimentos a almacenar.
- **Asegúrese de utilizar suficiente sal al preparar kimchi para almacenaje prolongado.**  
La tasa de fermentación es usualmente determinada por la cantidad de sal en el kimchi. Pequeños lotes de kimchi suave pueden almacenarse exitosamente por cortos períodos de tiempo, pero añada más sal si almacenará mayores cantidades a utilizar durante un período de tiempo prolongado.
- **Sea cuidadoso al colocar contenedores de kimchi en el refrigerador.**  
Levante el contenedor por las manijas y evite impactos al fondo del mismo.  
(La apariencia de los contenedores de kimchi podría variar dependiendo del modelo.)

## Una Guía para el Kimchi

- **El primer paso en la fermentación de kimchi es el encurtido de sal.**

La sal reacciona a las encimas en el repollo para descomponer las proteínas e iniciar la fermentación inmediatamente. Este proceso continúa incluso a bajas temperaturas. Tradicionalmente se permitía que el kimchi se fermentara lentamente durante el frío clima de invierno.

- **El sabor del kimchi también depende de los condimentos utilizados.**

Condimentos tradicionales incluyen cebolla verde, ajo, jengibre, pescado salado, y chile en polvo. La combinación de especias elegidas determinará el sabor del kimchi.

- **Tasas de Fermentación para el Kimchi**

Añadir mucho ajo, mariscos, cebolla, chile en polvo, pepino o cebolla verde hace que el kimchi se fermente más rápidamente. Añadir ostras saladas, camarón salado o salsa de caqui realmente acelera la fermentación. Por otro lado, añadir puerros, mostaza o ginseng enlentece la fermentación.

- **El kimchi se empieza a fermentar en cuanto se ha preparado.**

El contacto con el aire hará que el kimchi se torne amargo. Si el kimchi no está cubierto con salsa o tiene muy poca sal, una pequeña capa de levadura se formará en su superficie.

Mantenga el aire alejado de los vegetales al cubrirlos en salsa o al colocar el kimchi en una bolsa o envoltorio plástico.

- **Cómo Afecta al Kimchi la Temperatura**

La temperatura afecta la tasa de fermentación del kimchi. Al preparar kimchi para un almacenaje por tiempo prolongado, mantenga la temperatura a menos de 50°F (10°C).

- **Almacenaje de Kimchi por Tiempo Prolongado**

El kimchi, al igual que el queso, es un organismo vivo y cambiará con el pasar del tiempo. Para mantener el kimchi fresco por largos períodos de tiempo, incremente el contenido de sal y almacénelo a una baja temperatura, cerca de 32°F (0°C).

Presione los vegetales hacia abajo a manera de que estos se cubran con salsa y luego cubra el contenedor en un envoltorio plástico, o con una capa de hojas de repollo, para mantener el aire fuera y el kimchi fresco por más tiempo.

- **Eligiendo el Repollo Adecuado para el Kimchi**

Hay distintos tipos de repollo disponibles. Para el kimchi, elija un repollo de tamaño mediano que sea redondo y no largo y delgado. Las hojas internas deben ser dulces y más palidas que las externas. Las hojas externas deben ser delgadas y de color verde pálido.

- **Seleccionando Rábanos para el Kimchi**

Hay varios tipos de kimchi de rábano, y diferentes rabanos son utilizados para diferentes tipos de kimchi. Para kimchi de rábano, utilice rábanos coreanos que tengan hojas de color verde pálido bien dispersas en la punta.

Para Kimchi chonggak (rábano joven), utilice rábanos de Seúl que tengan fondos redondos y gruesos.

Para kkakdugi (kimchi de rábano en cubos), intente encontrar rábanos con cabezas blancas y no verdes. Para dongchimi, utilice rábanos con hojas suaves y cabezas blancas en vez de verdes.

## Técnicas para el Almacenaje Apropiado de Alimentos

- **Almacene el kimchi en el contenedor para kimchi.**

Llene de kimchi el contenedor hasta la línea de llenado y asegúrese de que la tapa esté bien cerrada previo al almacenaje.

Si la tapa no está bien cerrada, se podría formar una capa fina de levadura en la superficie del kimchi, o éste podría fermentarse muy rápidamente. Previo a almacenarlo, cubra la superficie del kimchi con envoltorio plástico o con una capa de hojas de repollo a manera de prevenir la formación de levadura.

- **Almacene las verduras o las frutas en el contenedor correspondiente.**

Algunos vegetales y frutas pueden dañarse con el aire frío. Los vegetales que se han humedecido por haber sido lavados tienden a descomponerse más fácilmente. Para obtener los mejores resultados, no lave los vegetales previo a almacenarlos.

No refrigere frutas tropicales, como bananos o piñas, ya que éstas se dañan a bajas temperaturas.

- **Permita que los alimentos calientes se enfríen a temperatura ambiente previo a refrigerarlos.**

Colocar alimentos calientes directamente en el refrigerador puede elevar la temperatura de los artículos que se encuentren alrededor y provocar su descomposición. Ésto también provocará un incremento en la factura de servicios

- **Almacenaje de Kimchi por Tiempo Prolongado**

Coloque el kimchi preparado recientemente en el refrigerador y seleccione la configuración Kimchi. Dependiendo del tipo y la salinidad del kimchi, seleccione la configuración Low (Inferior), Medium (Medio), o High (Superior).

Para un mejor almacenaje por tiempo prolongado, asegúrese de que los vegetales estén completamente sumergidos en la salsa y cubra el kimchi con envoltorio plástico.

- **Almacenando Kimchi Comprado**

Si el kimchi se consumirá en poco tiempo, seleccione el ajuste de enfriamiento Fast Chill. Si el kimchi se almacenará por un largo período de tiempo, seleccione la configuración Storage (Almacenaje).

- **Previo a almacenar aceites vegetales en el refrigerador, lea las instrucciones de almacenaje en el contenedor.**

Las botellas de aceite vegetal pueden tornarse caóticas con el uso.

Coloque las botellas de aceite en contenedores plásticos desechables para evitar tener que limpiar las bandejas del refrigerador.

- **Seleccione la temperatura adecuada para almacenar alimentos.**

Almacenar kimchi en la configuración Fermentation (Fermentación) podría provocar su descomposición.

Algunos tipos de kimchi podrían congelarse si se almacenan en High (Alto). Siempre revise el kimchi al almacenarlo en High (Alto).

Almacenar otros alimentos junto al kimchi en un contenedor de almacenaje podría provocar que éstos se congelen.

- **Utilizando los Distintos Contenedores**

Para obtener los mejores resultados al utilizar la configuración Fridge (Refrigerador), almacene contenedores que sean similares en tamaño, contenedores pequeños, o botellas.

- Almacenar el kimchi en el contenedor que se ha proveído para éste lo hace más delicioso.
- No almacene kimchi en botellas de vidrio. El kimchi se expandirá al congelarse y puede que la botella se rompa, causando un riesgo de heridas.
- No coloque el contenedores cerca de la salida de aire en el refrigerador. Los alimentos pueden congelarse.

- **Fermentando Kimchi**

Evite abrir la puerta del compartimiento mientras el kimchi está en proceso de fermentación.

Permitir que ingrese el aire caliente exterior durante la fermentación puede afectar el sabor del kimchi.

- **Eliminando Olores a Alimentos**

Cubra con plástico los contenedores de comida abiertos previo a almacenarlos a manera de prevenir la transferencia de olores dentro del refrigerador.

- **Después de la instalación, permita que el refrigerador se enfríe completamente previo a almacenar alimentos.**

La comida podría descomponerse y causar que los olores perduren si ha sido almacenada previo a que el refrigerador alcanzara su temperatura objetivo.

## Compartimentos de la izquierda /derecha

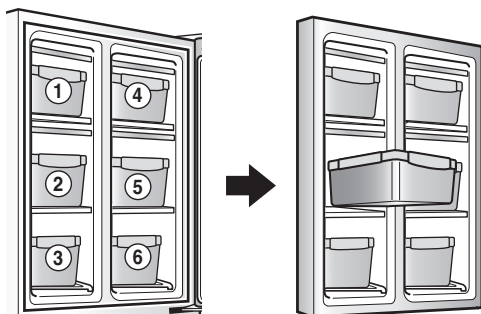
Dependiendo de sus necesidades, ajuste la temperatura del compartimiento para almacenar kimchi o refrigerar alimentos.

- Los contenedores de kimchi pueden adquirirse de forma separada en un Centro de Servicio de LG Electronics.

### Exclusivo contenedor para kimchi Lock&Lock

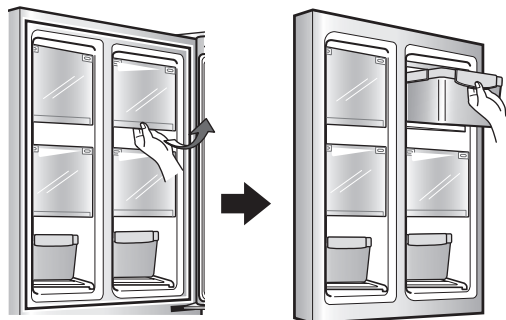
Un contenedor de kimchi se acomoda en cada cajón de los compartimientos izquierdo y derecho.

- Dependiendo del modelo, el contenedor de kimchi podría verse diferente o no estar incluido.

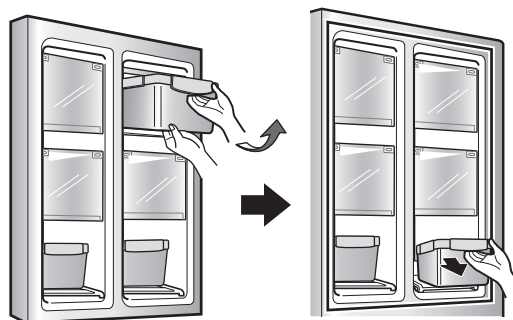


## Removiendo los Contenedores de Kimchi de los Compartimientos Izquierdo y Derecho

- 1 Levante la cubierta de tapa para liberarlo, luego deslicelo debajo del cajón superior.



- 2 Utilice las manijas para tirar del contenedor de kimchi y removerlo.



### ⚠ PRECAUCIÓN

- Sea cuidadoso al mover los contenedores de kimchi. Pueden ser pesados si están muy llenos.

## Cajón de CustomChill™

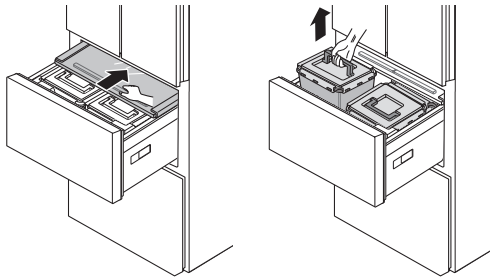
El cajón de CustomChill™ proporciona espacio de conservación con control de temperatura variable que se puede ajustar para mantener el compartimento más frío o más caliente que el refrigerador.

Utilícelo para almacenar carnes y mariscos, productos frescos, arroz o granos.

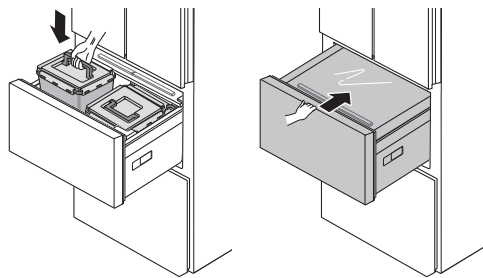
- Hay una cubierta de bloqueo de aire frío en CustomChill.
- La cubierta de bloqueo de aire frío mantiene uniforme la temperatura de almacenaje interior, y también el nivel adecuado de humedad en el cajón.

### Cómo usar CustomChill

- 1 Abra el cajón y deslice cuidadosamente la cubierta hacia atrás. Para removerlos, levante los contenedores de kimchi por las manijas.



- 2 Cerrar el cajón automáticamente cierra la cubierta.



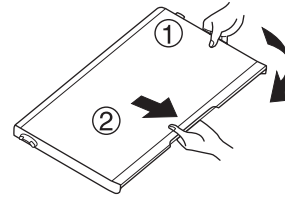
## Ajuste de los estantes del refrigerador

Los estantes del refrigerador son ajustables para satisfacer necesidades de almacenamiento individuales.

Ajustar los estantes para que quepan artículos de diferentes tamaños hará más fácil la búsqueda de artículos específicos.

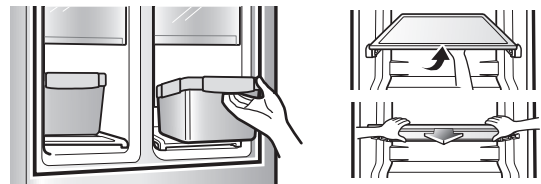
## Extracción de la tapa flip-up

- Para remover la cubierta, ábrala y empújela hacia un lado a manera de liberarla de los rieles, luego tire de ella hacia adelante.



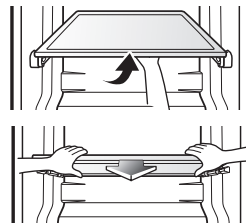
## Extracción de la cajón

- Para remover el cajón, levántelo por detrás y tire de él.

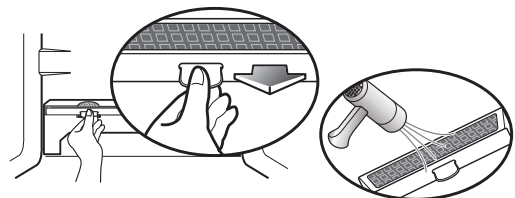


## Extracción de la Fresh Air Filter

- 1 Remueva los cajones de vidrio de los compartimentos izquierdo y derecho.



- 2 Tire de la tapa del filtro para deslizarla fuera del sujetador. Séquelo utilizando una secadora para cabello o exponiéndolo a la luz solar. El filtro es re-utilizable.



### NOTA

- Para mejorar el rendimiento desodorante, se ha adjuntado un material de madera de palma natural al mismo. Si cayeran residuos, éstos no le harán daño y pueden ser limpiados fácilmente con una toalla o paño.

# FUNCIONES INTELIGENTES

## Aplicación LG ThinQ

Esta característica solo está disponible en el modelo con Wi-Fi.

La aplicación **LG ThinQ** le permite comunicarse con el electrodoméstico usando un teléfono inteligente.

### Funciones de la aplicación LG ThinQ

#### Mensajes Push

Si la puerta permanece abierta durante más de diez minutos, recibirá un mensaje automático.

#### Smart Diagnosis™

Esta función brinda información útil para diagnosticar y resolver problemas con el producto conforme a su patrón de uso.

#### Configuración

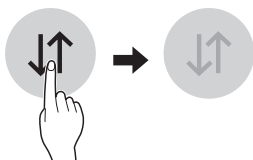
Le permite ajustar varias opciones en el refrigerador y en la aplicación.

#### NOTA

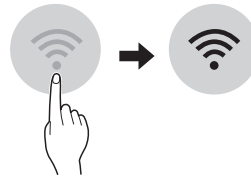
- Si cambia su enrutador inalámbrico, proveedor de Internet o contraseña, borre el electrodoméstico conectado de la aplicación **LG ThinQ** y conéctelo de nuevo.
- Esta información está actualizada en el momento de su publicación. La aplicación está sujeta a cambios con fines de mejorar el producto sin previo aviso a los usuarios.

### Antes de usar la aplicación LG ThinQ

- 1 Utilice un teléfono inteligente para verificar la potencia del enrutador (Red Wi-Fi) cerca del electrodoméstico.
  - Si la distancia entre el electrodoméstico y el enrutador inalámbrico es muy grande, la señal será débil. Puede que le tome más tiempo conectarse o que falle la instalación.
- 2 Desactive los **Datos Móviles** o **Datos Celulares** en su teléfono inteligente.



- 3 Conecte su teléfono inteligente al enrutador inalámbrico.



#### NOTA

- Para verificar la conexión Wi-Fi, revise que el ícono **Wi-Fi** en el panel de control esté encendido.
- El electrodoméstico funciona únicamente con redes Wi-Fi de 2.4 GHz. Contacte a su proveedor de servicios de internet o verifique el manual del enrutador inalámbrico para revisar la frecuencia de su red.
- **LG ThinQ** no es responsable por ningún problema de conexión en red, falla, mal funcionamiento o error causado por la conexión de red.
- El entorno inalámbrico circundante puede hacer que el servicio de red inalámbrica funcione lentamente.
- Si el aparato tiene problemas para conectarse a la red Wi-Fi, es posible que se encuentre demasiado lejos del router. Adquiera un repetidor Wi-Fi (extensor de alcance) para mejorar la intensidad de la señal Wi-Fi.
- Es posible que la conexión de red no funcione bien por cuestiones relacionadas con su proveedor de servicios de Internet.
- Es posible que la conexión Wi-Fi no se conecte o se interrumpa debido al entorno de la red doméstica.
- Si el electrodoméstico no puede registrarse debido a problemas con la transmisión de la señal inalámbrica, desconéctelo y espere alrededor de un minuto previo a intentarlo de nuevo.
- Si el cortafuegos de su enrutador inalámbrico está activado, desactívelo o añada una excepción a éste.
- El nombre de la red inalámbrica (SSID) debe ser una combinación de letras y números. (No utilice caracteres especiales)
- La interfaz de usuario (IU) del teléfono inteligente puede variar dependiendo del sistema operativo (OS) del móvil y del fabricante.
- Puede que la configuración de red falle si el protocolo de seguridad del router está en **WEP**. Cambie el protocolo de seguridad por otro (es recomendado el **WPA2**) y conecte el producto de nuevo.

## Instalando la aplicación LG ThinQ

Busque la aplicación **LG ThinQ** desde la tienda Google Play o Apple App Store en un teléfono inteligente.

- Siga las instrucciones para descargar e instalar la aplicación.

## Conexión a Wi-Fi

El botón **Wi-Fi**, al ser usado con la aplicación **LG ThinQ**, permite al refrigerador conectarse a la red Wi-Fi doméstica. El ícono **Wi-Fi** muestra el estado de la conexión de red del refrigerador. El ícono se ilumina cuando el refrigerador está conectado a la red Wi-Fi.

## Registro Inicial del Electrodoméstico

- Ejecute la aplicación **LG ThinQ** y siga las instrucciones en ella para conectar el electrodoméstico.

## Volver a Registrar el Electrodoméstico o Agregar Otro Usuario

- Mantenga presionado el botón **Wi-Fi** por 3 segundos para un apagado temporal. Ejecute la aplicación **LG ThinQ** y siga las instrucciones en ella para conectar el electrodoméstico.

### NOTA

- Para desactivar la función Wi-Fi, mantenga presionado el botón **Wi-Fi** por 3 segundos. El ícono Wi-Fi se apagará.

## Especificaciones módulo LAN inalámbrico

Modelo	LCW-008
Rango de frecuencia	2412 - 2462 MHz
Rango de frecuencia (max.)	< 30 dBm

## Aviso de la FCC

El siguiente aviso cubre el módulo transmisor contenido en este producto.

Este equipo fue probado y se determinó que cumple con los límites para los dispositivos digitales de Clase B, en conformidad con la parte 15 de las normas de la FCC. Estos límites están diseñados para ofrecer una protección razonable contra interferencias dañinas en una instalación residencial. Este equipo genera, usa y puede emitir energía de radiofrecuencia y, si no se instala y utiliza de acuerdo con las instrucciones, podría causar interferencias dañinas a las comunicaciones por radio. Sin embargo, no se garantiza que dicha interferencia no pueda ocurrir en instalaciones particulares. Si este equipo causa interferencia dañina a la recepción de radio o televisión, que se puede determinar encendiendo y apagando el equipo, se aconseja al usuario intentar corregir la interferencia realizando alguna de las siguientes acciones:

- Reorientar o reubicar la antena receptora.
- Aumentar la separación entre el equipo y el receptor.
- Conectar el equipo a una toma de corriente en un circuito diferente del utilizado por el receptor.
- Consultar al vendedor o a un técnico de radio/TV con experiencia para solicitar ayuda.

El dispositivo cumple con la parte 15 de las Reglas FCC. La operación está sujeta a las siguientes dos condiciones:

- 1) Este dispositivo no debe causar interferencia dañina, y
- 2) Este dispositivo debe aceptar cualquier interferencia recibida, incluso aquellas que pudieran causar un funcionamiento no deseado del dispositivo.

Cualquier cambio o modificación en la construcción de este dispositivo que no cuente con la aprobación expresa de la parte responsable del cumplimiento, puede anular la autorización del usuario para operar este equipo.



### **Declaración sobre exposición a la radiación de RF de la FCC**

Este equipo cumple con los límites de exposición a la radiación de la FCC establecidos para entornos no controlados. Este transmisor no se debe ubicar ni operar junto con ninguna otra antena ni transmisor.

El equipo se debe instalar y operar con una distancia mínima de 20 cm (7.8 pulg.) entre la antena y su cuerpo. Los usuarios deben seguir las instrucciones de operación específicas de manera tal de cumplir con las normas de exposición a la RF.

### **Declaración de Industry Canada**

Este dispositivo contiene transmisores/receptores exentos de licencia que cumplen con los RSS exentos de licencia de Innovación, Ciencia y Desarrollo Económico de Canada. La operación está sujeta a las siguientes dos condiciones:

- (1) Este dispositivo no debe provocar interferencias.
- (2) Este dispositivo debe aceptar cualquier interferencia que reciba, incluidas las interferencias que puedan afectar el funcionamiento del mismo.

### **Declaración sobre Exposición a Radiación de la IC**

Este equipo cumple con los límites de exposición a la radiación de la IC establecidos para entornos no controlados.

Este equipo debe ser instalado y operado con una distancia mínima de 20 cm (7.8 pulg.) entre la antena y su cuerpo.

#### **NOTA**

- EL FABRICANTE NO SE HACE RESPONSABLE DE CUALQUIER INTERFERENCIA DE TV O RADIO CAUSADA POR MODIFICACIONES NO AUTORIZADAS A ESTE EQUIPO. TALES MODIFICACIONES PODRÍAN ANULAR LA AUTORIDAD DEL USUARIO PARA PONER EL EQUIPO EN FUNCIONAMIENTO.



### **Información de anuncio de programas de código abierto**

Para obtener el código fuente bajo GPL, LGPL, MPL y otras licencias de código abierto que contiene este producto, visite <http://opensource.lge.com>. Además del código fuente, se pueden descargar los términos de la licencia, las anulaciones de la garantía y los avisos de derechos de autor.

LG Electronics también le proporcionará el código abierto en un CD-ROM por un costo que cubra los gastos de dicha distribución (como el costo del medio, del envío y de la manipulación) una vez realizado el pedido por correo electrónico a la dirección [opensource@lge.com](mailto:opensource@lge.com). Esta oferta es válida solo durante un período de tres años después de que se envíe el último cargamento de este producto. Esta oferta es válida para todo aquel que reciba esta información.



## Función Smart Diagnosis™ (Diagnóstico Inteligente)

Esta característica solo está disponible en el modelo con el logo  o .

Utilice esta función como ayuda para diagnosticar y resolver problemas con su electrodoméstico.

### NOTA

- Por motivos no atribuibles a la negligencia de LGE, es posible que el servicio no pueda funcionar debido a factores externos como por ejemplo, la indisponibilidad de Wi-Fi, desconexión de Wi-Fi, política de la tienda de aplicaciones local o indisponibilidad de aplicaciones, entre otros.
- Esta función puede estar sujeta a cambios sin previo aviso y puede tener una forma diferente según dónde se encuentre ubicado.

## Uso de LG ThinQ para diagnosticar problemas

Si experimenta un problema con su electrodoméstico equipado con Wi-Fi, este puede transmitir datos sobre la resolución de problemas a un teléfono inteligente con la aplicación **LG ThinQ**.

- Inicie la aplicación **LG ThinQ** y seleccione la función Smart Diagnosis en el menú. Siga las instrucciones provistas en la aplicación **LG ThinQ**.

## Uso del diagnóstico audible para diagnosticar problemas

Siga las instrucciones a continuación para utilizar el método de diagnóstico audible.

- Inicie la aplicación **LG ThinQ** y seleccione la función Smart Diagnosis en el menú. Siga las instrucciones para el diagnóstico audible provistas en la aplicación **LG ThinQ**.

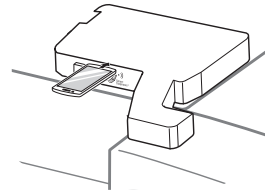
1 Pulse el botón Lock para activar la función de bloqueo.

- Si la pantalla ha sido bloqueada por más de cinco minutos, debe desactivar el bloqueo y luego reactivarlo.



2 Pulse y mantenga presionado el botón **Bottom** durante 3 segundos o más tiempo.

3 Abra la puerta del refrigerador y mantenga el micrófono de su teléfono frente al altavoz que se encuentra ubicado en la bisagra derecha de la puerta del mismo.



4 Mantenga el teléfono en su sitio hasta que haya terminado la transmisión de tonos. La pantalla mostrará el recuento de tiempo. Una vez que haya finalizado el recuento de tiempo y los tonos se hayan detenido, aparecerá el diagnóstico en la aplicación.

### NOTA

- Para obtener resultados óptimos, no mueva el teléfono mientras se transmitan los tonos.

# MANTENIMIENTO

## Limpieza

### ADVERTENCIA

- Utilice un limpiador no inflamable. Si no lo hace, puede resultar en incendio, explosión o muerte.

### PRECAUCIÓN

- No use un trapo abrasivo o esponja mientras limpia el interior y exterior del refrigerador.
- No coloque su mano en la superficie inferior de refrigerador cuando abra y cierre las puertas.

## Consejos Generales de Limpieza

- Tanto las secciones del refrigerador como del congelador se descongelan automáticamente; sin embargo, limpie ambas secciones una vez al mes para prevenir olores.
- Limpie derrames inmediatamente.
- Desconecte el refrigerador o la corriente eléctrica previo a la limpieza.
- Remueva todas las partes removibles, como los estantes.
- Use una esponja limpia o un paño suave y un detergente ligero en agua tibia. No utilice abrasivos o limpiadores ásperos.
- Lave a mano, enjuague y seque todas las superficies intensivamente.

## Exterior

Para productos con un exterior de acero inoxidable negro, rocíe limpiador de vidrio en un paño limpio de microfibra y frote en dirección de la fibra. No rocíe limpiador de vidrio directamente al panel de pantalla. No utilice limpiadores ásperos o abrasivos.

Para productos con un exterior de acero inoxidable estándar, use un paño húmedo de microfibra y frote en dirección de la fibra. Seque con una toalla de papel para evitar rayones. Para manchas rebeldes y huellas digitales, use algunas gotas de jabón líquido para platos en agua y enjuague con agua caliente antes de secar. No utilice abrasivos o limpiadores ásperos.

## Contenedores y cubo

- Los contenedores pueden ensuciarse fácilmente debido a alimentos descompuestos. Remuévalos ocasionalmente y enjuáguelos para evitar malos olores. Vea la página 17 para obtener instrucciones acerca de cómo remover el cajón medio e inferior para su limpieza.
- Los estantes pueden ensuciarse debido a alimentos descompuestos. Remuévalos ocasionalmente y límpielos con un paño húmedo. Para remover el cajón, levántelo por detrás y tire de él.
- Antes de limpiar las tapas del contenedor, remueva el empaque de goma del interior de ellas. Recuerde reemplazar el empaque de goma una vez las tapas estén limpias. No limpie los contenedores ni las tapas en agua con temperatura mayor a 122°F (50°C). Limpie gentilmente los contenedores con una esponja suave a manera de evitar rayar la superficie.

## Limpieza de los contenedores kimchi

- Los contenedores kimchi pueden emitir un olor a plástico cuando los utiliza por primera vez; límpielos con una esponja suave y un detergente neutro.
- Para eliminar el olor persistente de los contenedores kimchi, coloque hojas verdes finamente cortadas en el contenedor, cierre la tapa y deje durante 24 horas a temperatura ambiente. Tras 24 horas, abra la tapa y añada 4 litros de agua de enjuague de arroz al contenedor y déjelo abierto a temperatura ambiente durante 30 minutos. Tras 30 minutos, enjuague el contenedor y permita que seque al aire.
- Cuando se utiliza durante un largo periodo de tiempo, el color distintivo y el olor del kimchi pueden penetrar en el contenedor.

### PRECAUCIÓN

- No lave la tapa del contenedor kimchi en el lavavajillas. Lavar a mano únicamente.

## Paredes Interiores

- Permita que el congelador se caliente para que el paño no se pegue.

Como ayuda para remover olores, lave el interior del refrigerador con una mezcla de bicarbonato de sodio y agua tibia. Mezcle 2 cucharadas de bicarbonato de sodio con 1 cuarto de galón de agua (26 g de bicarbonato en 1 litro de agua). Asegúrese de que el bicarbonato de sodio está completamente disuelto para que este no raye las superficies del refrigerador .

## Revestimientos de Puertas y Juntas

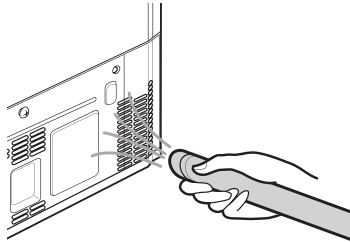
Use una esponja limpia o un paño suave y un detergente ligero en agua tibia. No utilice ceras de limpieza, detergentes concentrados, lejías o limpiadores que contengan petróleo en las partes plásticas del refrigerador.

## Cubiertas y Panele de control

Use una esponja limpia o un paño suave y un detergente ligero en agua tibia. No utilice limpiadores de vidrio, limpiadores abrasivos o líquidos inflamables. Estos pueden rayar o dañar el material.

## Bobinas del Condensador

Use una aspiradora con un cepillo o hendedura adjunta para limpiar la cubierta y los respiraderos del condensador. No remueva el panel que cubre el área de las bobinas del condensador.



# SOLUCIÓN DE PROBLEMAS

## Antes de llamar al servicio técnico

Revise esta sección antes de llamar para servicio; hacerlo le ahorrará tiempo y dinero.

### Enfriamiento

Problema	Causa posible	Soluciones
El refrigerador no enfría o no tiene energía.	Un fusible en su casa pudo dañarse o el interruptor termomagnético se encuentra activado o el aparato está conectado a una toma de corriente GFCI (Interruptor de circuito de falla de tierra) y este se ha activado.	Revise su centro carga y reemplace el fusible o reinicie el interruptor termomagnético. No aumente la capacidad del fusible. Si el problema es una sobrecarga de circuito, debe ser reparado por un electricista calificado.  Reinicie el interruptor GFCI. Si el problema persiste, póngase en contacto con un electricista calificado.
	El control del refrigerador está configurado en APAGADO (algunos modelos).	Configure el control en ENCENDIDO. Consulte la Configuración en la sección Controles para los ajustes apropiados de temperatura.
	El refrigerador está en el ciclo de descongelado.	Durante el ciclo de descongelado, la temperatura de cada compartimento puede incrementarse levemente. Espere 30 minutos y confirme que la temperatura apropiada haya sido restaurada una vez que el ciclo de descongelado haya sido completado.
	El refrigerador fue instalado recientemente.	Puede tomar hasta 24 horas para que cada compartimento alcance la temperatura deseada.
	El refrigerador fue reubicado recientemente.	Si el refrigerador estaba almacenado por un período largo de tiempo o reclinado, es necesario que éste se mantenga en posición vertical por 24 horas previo a conectarlo a la corriente eléctrica.
El sistema de enfriamiento se ejecuta mucho.	El refrigerador está reemplazando un modelo anterior.	Los refrigeradores modernos requieren más tiempo de operación pero usan menos energía debido a tecnología más eficiente.
	El refrigerador fue conectado recientemente o su fuente de energía fue restablecida.	Puede tomar hasta 24 horas para que el refrigerador enfríe completamente.
	La puerta es abierta frecuentemente o una gran cantidad de alimentos / alimentos calientes fueron añadidos.	Al añadir alimentos y abrir las puertas el refrigerador se calienta, requiriendo que el compresor se ejecute más tiempo a manera de enfriarlo de nuevo. A manera de conservar energía, intente retirar todo lo que necesita del refrigerador al mismo tiempo, mantenga los alimentos organizados para que sea fácil encontrarlos, y cierre la puerta en cuanto los alimentos sean retirados. (Consulte la Guía de Almacenamiento de Alimentos.)
	Las puertas no están completamente cerradas.	Cierre las puertas firmemente. Si éstas no cierran completamente, vea la sección Puertas no cierran o abren completamente en Solución de Problemas.
	El refrigerador está instalado en una ubicación caliente.	El compresor se ejecutará por más tiempo en condiciones templadas. En temperaturas normales de habitación (70 °F) espere que su compresor se ejecute de un 40% a un 80% del tiempo. Bajo condiciones más calientes, espere que éste se ejecute más seguido. El refrigerador no debe ser operado sobre 110 °F.
	Condensador / cubierta trasera está obstruida.	Use una aspiradora con un accesorio adjunto para limpiar la cubierta y los respiraderos del condensador. No remueva el panel que cubre el área de las bobinas del condensador.

## Enfriamiento

Problema	Causa posible	Soluciones
Acumulación de humedad interior.	Las puertas están abiertas constantemente o por períodos largos de tiempo.	Cuando las puertas están abiertas constantemente o por períodos largos de tiempo, el aire caliente y húmedo entra al compartimento. Esto eleva la temperatura y el nivel de humedad dentro del compartimento. Para disminuir el efecto, reduzca la frecuencia y duración de apertura de la puerta.
	Las puertas no están cerradas correctamente.	Vea la sección Puertas no cierran o abren completamente en Solución de Problemas de Partes & Características..
	El clima es húmedo.	El clima húmedo permite que humedad adicional ingrese a los compartimentos cuando las puertas se abren, provocando condensación o escarcha. Mantener un nivel de humedad razonable en el hogar ayudará a controlar la cantidad de humedad que pueda ingresar a los compartimentos.
	Ciclo de descongelado recientemente completado.	Durante el ciclo de descongelado, la temperatura de cada compartimento puede incrementar levemente y puede que se forme condensación en la pared trasera. Espere 30 minutos y confirme que la temperatura adecuada se ha restaurado una vez el ciclo de descongelado ha sido completado.
	Los alimentos no están empacados correctamente.	Los alimentos almacenados, descubiertos o desenvueltos, y contenedores húmedos pueden llegar a generar acumulación de humedad dentro de cada compartimento. Seque todos los contenedores y almacene los alimentos en empaques sellados para prevenir condensación y escarcha.
Los alimentos se están congelando en el compartimento del refrigerador.	Alimentos con contenido alto en agua fueron ubicados cerca de una ranura de ventilación.	Reorganice los artículos con contenido alto en agua alejados de las ranuras de ventilación
	La temperatura del refrigerador está configurada incorrectamente.	Si la temperatura es muy baja, ajuste el control mediante un incremento a la vez y espere a que la temperatura se estabilice. Consulte la sección Ajustando los Controles para más información.
	El refrigerador está instalado en una ubicación fría.	Cuando el refrigerador es operado en una temperatura inferior a 41°F (5°C), los alimentos pueden congelarse en el compartimento del refrigerador. El refrigerador no debe ser operado en temperaturas inferiores a 55°F (13°C).
Las secciones del Refrigerador y Congelador están muy calientes.	El refrigerador fue instalado recientemente.	Puede tomar hasta 24 horas para que cada compartimento alcance la temperatura deseada.
	Los respiraderos están bloqueados. Aire frío circula desde el congelador hasta la sección de alimentos frescos y luego de regreso a través de los respiraderos en la pared que divide las dos secciones.	Reorganice los artículos con contenido alto en agua alejados de las ranuras de ventilación.

## Enfriado

Problema	Causa posible	Soluciones
Las secciones del Refrigerador y Congelador están muy calientes.	Las puertas están abiertas constantemente o por períodos largos de tiempo.	Cuando las puertas están abiertas constantemente o por períodos largos de tiempo, el aire caliente y húmedo entra al compartimento. Esto eleva la temperatura y el nivel de humedad dentro del compartimento. Para disminuir el efecto, reduzca la frecuencia y duración de apertura de la puerta.
	La unidad está instalada en un lugar caluroso.	El refrigerador no debe ser operado en temperaturas superiores a 110 °F.
	Se ha agregado una gran cantidad de alimentos o comida caliente al compartimento.	Agregar alimentos hace que el compartimento se caliente, requiriendo así que se ejecute el sistema de enfriamiento. Permitir que los alimentos calientes se enfríen a temperatura ambiente previo a colocarlos en el congelador reducirá este efecto.
	Las puertas no cierran correctamente.	Vea la sección Puertas no cierran o abren completamente en Solución de Problemas de Partes & Características.
	El control de temperatura no ha sido configurado correctamente.	Si la temperatura es muy alta, ajuste el control un incremento a la vez y espere a que la temperatura se estabilice.
	El ciclo de descongelado ha sido completado recientemente.	Durante el ciclo de descongelado, la temperatura de cada compartimento puede incrementar levemente y formar condensación en la pared trasera. Espere 30 minutos y confirme que la temperatura apropiada haya sido restaurada una vez el ciclo de descongelado haya sido completado.
La sección del Refrigerador o Congelador está muy fría.	Ajustes de control de temperatura incorrectos.	Si la temperatura es muy fría, ajuste el control un incremento a la vez y espere a que la temperatura se estabilice. Consulte el Panel de Control para mayor información.
Se forma escarcha o cristales de hielo en alimentos congelados (dentro de paquete sellado).	Condensación de alimentos con un alto contenido de agua se ha congelado dentro del paquete.	Esto es normal para alimentos con un alto contenido de agua.
	Alimentos se han dejado en el congelador por un largo período de tiempo.	No almacene alimentos con un alto contenido de agua en el congelador por un largo período de tiempo.
Formación de escarcha o cristales de hielo en alimentos congelados (fuera del empaque).	La puerta es abierta frecuentemente o por períodos prolongados de tiempo.	Cuando las puertas son abiertas constantemente o por períodos largos de tiempo, aire caliente y húmedo entra al compartimento. Esto eleva la temperatura y el nivel de humedad dentro del compartimento. Para disminuir el efecto, reduzca la frecuencia y duración de apertura de la puerta.
	La puerta no cierra correctamente.	Vea la sección de Las puertas no cierran o abren correctamente en la sección de Resolución de problemas.

## Partes y Características

Problema	Causa posible	Soluciones
Las puertas no se cierran correctamente o se quedan abiertas.	Paquetes de alimentos están bloqueando la puerta e impiden que se cierre.	Reorganice los contenedores de alimentos para liberar la puerta y los cubos de la puerta.
	El recipiente de hielo, la tapa del cajón para verduras, las bateas, los estantes, las bandejas de las puertas o las cestas no están en su sitio.	Empuje correctamente hacia adentro las bandejas, la tapa del cajón para verduras, las bateas, los estantes y las cestas en su posición adecuada. Vea la sección Operación para mayor información.
	Las puertas se desmontaron durante la instalación del producto y no se volvieron a colocar correctamente.	Desmunte y vuelva a colocar las puertas siguiendo las instrucciones de la sección Desmontaje y Sustitución de los Agarradores y Puertas del Refrigerador.
	El refrigerador no está correctamente nivelado.	Vea la sección Alineación de las Puertas en la sección Instalación del Refrigerador para nivelar el refrigerador.
Es difícil abrir las puertas.	Las juntas están sucias o pegajosas.	Limpie las juntas y las superficies que tocan. Aplique una fina capa de cera para electrodomésticos o cera de cocina en las juntas después de limpiarlas..
	La puerta se acaba de cerrar.	Cuando abre la puerta, aire más caliente entra al refrigerador. Al enfriarse, puede crear un vacío. Si le cuesta abrir la puerta, espere un minuto para permitir que la presión del aire se equalice y, a continuación, compruebe si se abre con más facilidad.
El refrigerador se tambalea o parece inestable.	Las patas niveladoras no están correctamente ajustadas.	Consulte la sección Nivelación y Alineación de Puertas.
	El piso no está nivelado.	Puede ser necesario agregar calibradores debajo de las patas o rodillos de nivelación o para completar la instalación
Las luces no funcionan.	Falla de iluminación interior LED.	La lámpara del compartimento del refrigerador es una iluminación interior LED, por lo que el mantenimiento deberá ser realizado por un técnico calificado.
El refrigerador tiene un olor inusual.	El Filtro de Aire puede necesitar ser ajustado a MAX o ser reemplazado.	Ajuste el Filtro de Aire a MAX. Si no desaparece el olor dentro de las siguientes 24 horas, el filtro puede necesitar ser reemplazado. Consulte la sección Sustitución del Filtro de Aire para obtener instrucciones acerca del reemplazo.
El interior del refrigerador está cubierto con polvo u hollín.	El refrigerador está ubicado cerca de una fuente de fuego, como una chimenea o candela.	Asegúrese de que el refrigerador no se encuentre ubicado cerca de una fuente de fuego, como una chimenea o candela.

## Ruidos

Problema	Causa posible	Soluciones
Haciendo clic	El control de descongelado hará un “clic” cuando el ciclo de descongelado comience y termine. El control del termostato (o control del refrigerador en algunos modelos) también hará un clic al iniciar o finalizar un ciclo.	Funcionamiento normal
Traqueteo	Los ruidos de traqueteo pueden proceder del flujo del refrigerante, de la tubería de agua en la parte posterior de la unidad o de artículos almacenados encima o alrededor del refrigerador.	Funcionamiento normal
	El refrigerador no está sólidamente apoyado en el suelo.	El suelo es poco sólido o irregular, o es necesario ajustar las patas de nivelación. Consulte la sección Nivelación y Alineación de las Puertas.
	El refrigerador con compresor lineal se sacudió mientras estaba funcionando.	Funcionamiento normal
Zumbido	El motor del ventilador del evaporador está circulando el aire a través de los compartimentos del refrigerador y del congelador.	Funcionamiento normal
	El ventilador del condensador está forzando el paso de aire a través del condensador.	Funcionamiento normal
Gorgoteo	El refrigerante está fluyendo a través del sistema de enfriamiento.	Funcionamiento normal
Golpeteo	Contracción y expansión de las paredes internas debido a cambios en la temperatura.	Funcionamiento normal
Chisporroteo	El agua cayendo en el calentador de descongelación durante un ciclo de descongelado.	Funcionamiento normal
Vibración	Si el lateral o la parte posterior del refrigerador están en contacto con un mueble o una pared, algunas de las vibraciones normales pueden producir un sonido audible.	Para eliminar el ruido, asegúrese de que los laterales y la parte posterior no puedan vibrar contra las paredes o los muebles.
Goteo	Agua cayendo en la batea de drenaje durante el ciclo de descongelado.	Funcionamiento normal
Sonido de pulsación o agudo.	Su refrigerador está diseñado para funcionar de forma más eficiente para conservar los alimentos a la temperatura deseada. El compresor de alta eficiencia puede hacer que su nuevo refrigerador funcione durante más tiempo que su antiguo refrigerador, y aun así será más eficiente energéticamente que los modelos anteriores. Mientras el refrigerador está en funcionamiento, es normal escuchar un sonido de pulsación o agudo.	Funcionamiento normal



## Wi-Fi

Problema	Causa posible	Soluciones
<b>Problema al conectar el electrodoméstico y el teléfono inteligente a la red Wi-Fi.</b>	<b>La contraseña de la red Wi-Fi fue ingresada incorrectamente.</b>	Borre su red Wi-Fi doméstica e inicie el proceso de registro de nuevo.
	<b>Los Datos Móviles para su teléfono inteligente están activados.</b>	Desactive los <b>Datos Móviles</b> en su teléfono inteligente previo a registrar el electrodoméstico.
	<b>El nombre de la red inalámbrica (SSID) se ha configurado incorrectamente.</b>	El nombre de la red inalámbrica (SSID) debe ser una combinación de letras y números. (No utilice caracteres especiales)
	<b>La frecuencia del enrutador no es de 2.4 GHz.</b>	Sólo se admite una frecuencia de enrutador de 2.4 GHz. Configure el enrutador inalámbrico a 2.4 GHz y conecte el electrodoméstico a éste. Para verificar la frecuencia del enrutador, consulte con su proveedor de servicios de internet o con el fabricante del enrutador.
	<b>La distancia entre el enrutador y el electrodoméstico es muy grande.</b>	Si el electrodoméstico se encuentra muy lejos del enrutador, puede que la señal sea débil y que la conexión no sea configurada correctamente. Coloque el enrutador más cerca del electrodoméstico o compre e instale un repetidor Wi-Fi.

# GARANTÍA LIMITADA

## EE. UU.

AVISO DE ARBITRAJE: ESTA GARANTÍA LIMITADA CONTIENE UNA CLÁUSULA DE ARBITRAJE QUE LE DEMANDA A USTED Y A LG RESOLVER CONFLICTOS A TRAVÉS DE UN ARBITRAJE VINCULANTE EN LUGAR DE HACERLO EN LA CORTE, A MENOS QUE USTED DECIDA NO PARTICIPAR. EN EL ARBITRAJE NO ESTÁN PERMITIDAS LAS ACCIONES COLECTIVAS NI LOS JUICIOS CON JURADO. POR FAVOR, VEA A CONTINUACIÓN LA SECCIÓN TITULADA "PROCEDIMIENTO PARA RESOLVER CONFLICTOS".

En caso de que su refrigerador LG ("Producto") presente alguna falla por defectos de materiales o de fabricación bajo uso apropiado y normal durante el período de garantía establecido más abajo, el mismo será reparado o reemplazado por LG Electrónicos ("LG"), a su opción. Esta garantía limitada es válida únicamente para el comprador final original del producto, y únicamente cuando el producto ha sido comprado y utilizado dentro de los Estados Unidos, incluidos los territorios norteamericanos.

PERÍODO DE GARANTÍA			
Refrigerador/ Congelador	Sistema Sellado (Condensador, Filtro desecante, Tubo Conector y Evaporador)	Compresor	
Un (1) año a partir de la fecha original de compra	Cinco (5) años a partir de la fecha original de compra	Cinco (5) años a partir de la fecha original de compra	Sólo Compresor Lineal / Inversor : Partes sólo para los años 6-10 desde la fecha original de compra. (La mano de obra se le cargará al consumidor)
Piezas y mano de obra (solo piezas internas/ funcionales)	Piezas y mano de obra	Piezas y mano de obra	

- Los productos y las piezas de repuesto están garantizados durante el tiempo restante del período original de garantía o noventa (90) días, lo que resulte mayor.
- Los productos y las piezas de repuesto pueden ser nuevos, reparados, reacondicionados, o reconstruidos por la fábrica.
- Es necesario presentar prueba de la compra minorista especificando el modelo del producto y la fecha de compra para obtener el servicio de garantía bajo esta garantía limitada.

**Salvo lo prohibido por la ley, toda garantía de comercialización o idoneidad implícita, para un propósito particular en el producto, está limitada a la duración de la garantía arriba expresada. Bajo ninguna circunstancia deberá LG o sus distribuidores/representantes ser responsable por cualquier daño indirecto, incidental, consecuente, especial, o punitivo, lo cual incluye pero no se limita a, pérdida de fondos del comercio, ganancias perdidas, interrupción del trabajo, deterioro de otros bienes, costo de remover y reinstalar el producto, pérdida de uso, o cualquier otro daño ya sea basado en contrato, perjuicio, u otros. La responsabilidad total de LG, en caso exista, no excederá el precio que usted pagó por adquirir el producto.**

Algunos estados no permiten la exclusión o limitación de daños incidentales o emergentes, o limitaciones a la duración de la garantía implícita, por lo que la exclusión o limitación anteriormente mencionada podrían no corresponder en su caso. Esta garantía limitada le otorga derechos legales específicos y es posible que usted cuente con otros derechos que varían según el estado.

### ESTA GARANTÍA LIMITADA NO CUBRE LO SIGUIENTE:

- Viajes del servicio técnico para entregar, buscar o instalar el producto, instruir al cliente sobre la operación del mismo, corregir el cableado o las reparaciones/instalaciones no autorizadas.
- Daño o fallo del producto al operar durante fallas e interrupciones del suministro eléctrico, o resultado de un servicio eléctrico inadecuado.
- Daños o fallas causadas por tuberías de agua rotas o con fugas, tuberías de agua congeladas, líneas de desagüe restringidas, suministro de agua inadecuado o interrumpido, o suministro de aire inadecuado.
- Daños resultantes de operar el producto en una atmósfera corrosiva o contraria a las instrucciones detalladas en el manual del propietario del producto.
- Daños o fallos del producto causados por accidentes, pestes y alimañas, rayos, viento, incendio, inundaciones, hechos de fuerza mayor, o cualquier otra causa fuera del control de LG.

- Daños o fallos causados por modificaciones o alteraciones no autorizadas, o si se usa para otro fin que no sea el previsto.
- Daños o fallos resultantes de mal uso, abuso, instalación, reparación o mantenimiento incorrectos. Una reparación incorrecta incluye el uso de piezas no autorizadas, aprobadas o especificadas por LG. La instalación o el mantenimiento inadecuado incluye aquellos contrarios a lo especificado en el manual del usuario del producto.
- Daños o fallos causados por corriente o voltaje eléctrico incorrecto, o por códigos de fontanería.
- Daños o fallos causados por el transporte y el manejo, incluye rayas, muescas, astillados y/u otros daños al acabado del producto, a menos que tales daños se informen dentro del plazo de una (1) semana de la entrega.
- Daños o artículos faltantes a productos comprados con descuento, con la caja abierta o que hayan estado en exhibición.
- Productos reacondicionados o cualquier producto vendido con los avisos "En el estado actual", "En el sitio actual", "Con todos sus defectos" o similares.
- Productos cuyos números de serie originales hayan sido retirados, alterados o no se puedan determinar fácilmente.
- Aumentos en los costos de los servicios públicos y otros gastos adicionales de dichos servicios.
- Cualquier ruido asociado con la operación normal.
- Uso de accesorios (Ej, filtros de agua, etc.), componentes, o productos de limpieza consumibles que no estén autorizados por LG.
- Reemplazo de focos, filtros o cualquier parte consumible.
- Cuando el producto se use de otra forma que no sea uso doméstico usual y normal (p. ej., uso comercial o industrial, en oficinas e instalaciones recreativas o vehículos) o uso contrario a las instrucciones detalladas en el manual del propietario del producto.
- Costos asociados con el retiro y la reinstalación de su producto para realizar reparaciones.
- Estantes, bandejas de puerta, cajones, manijas y accesorios, a excepción de las partes internas/funcionales cubiertas bajo esta garantía limitada.

**El costo de la reparación o el reemplazo en estas circunstancias excluidas estará a cargo del consumidor.**

PARA OBTENER SERVICIO EN GARANTÍA E INFORMACIÓN ADICIONAL

Llame al 1-800-243-0000 y seleccione la opción apropiada desde el menú.

O visite nuestro sitio web en <http://www.lg.com>

O por correo: LG Electronics Customer Service P.O. Box 240007 Huntsville, AL 35813 ATTN: CIC

#### PROCEDIMIENTO PARA RESOLVER CONFLICTOS:

TODOS LOS CONFLICTOS ENTRE USTED Y LG QUE SURJAN FUERA DE O RELACIONADOS DE ALGUNA MANERA CON ESTA GARANTÍA LIMITADA O CON EL PRODUCTO, SE RESOLVERÁN EXCLUSIVAMENTE A TRAVÉS DE UN ARBITRAJE VINCULANTE Y NO EN UNA CORTE DE JURISDICCIÓN GENERAL. ARBITRAJE VINCULANTE SIGNIFICA QUE USTED Y LG RENUNCIAN AL DERECHO DE UN JUICIO CON JURADO Y A REALIZAR O PARTICIPAR EN UNA DEMANDA COLECTIVA.

**Definiciones.** Para el propósito de esta sección, las referencias a "LG" significan: LG Electronics U.S.A., Inc., sus empresas matrices, subsidiarias y filiales y cada uno de sus directivos, directores, empleados, agentes, beneficiarios, predecesores en interés, sucesores, cesionarios y proveedores; las referencias a "conflicto" o "reclamación" incluirán cualquier conflicto, reclamo o controversia de cualquier tipo, sin importar (ya sea basado en contrato, agravio, estatuto, regulación, ordenanza, fraude, falsa representación o cualquier teoría legal o equitativa) que surja de o esté relacionada con cualquier forma de venta, condición o desempeño del producto o de esta Garantía Limitada.

**Aviso de disputa.** En caso de que usted desee iniciar un procedimiento de arbitraje, primero debe notificar a LG por escrito al menos 30 días antes de iniciar el arbitraje enviando una carta a LG a LG Electronics USA, Inc. Attn: Legal Department-Arbitration 111 Sylvan Avenue, Englewood Cliffs, NJ 07632. Usted y LG aceptan participar en discusiones de buena fe en un intento de resolver su reclamo de manera amistosa. En la carta debe proporcionar su nombre, dirección y número de teléfono; identificar el producto que es objeto de la reclamación; y describir la naturaleza del reclamo y el remedio que busca. Si usted y LG no pueden resolver la disputa dentro de 30 días, cualquiera de las partes puede proceder a presentar una demanda de arbitraje.

**Acuerdo de arbitraje vinculante y renuncia de demanda colectiva.** En caso de no resolver la disputa durante el período de 30 días después de enviar una notificación por escrito a LG, Usted y LG se comprometen a resolver cualquier reclamo entre nosotros, solamente a través de arbitraje vinculante sobre una base individual, a menos que usted se excluya, conforme a lo dispuesto a continuación. Cualquier conflicto entre usted y LG no estarán combinados o consolidados con una controversia relacionada con cualquier otro producto o reclamo de otra persona o entidad. Más específicamente y sin perjuicio de lo anterior, no procederá bajo ninguna circunstancia cualquier disputa entre usted y LG como parte de una acción colectiva o representativa. En lugar del arbitraje, cualquiera de las partes podrá iniciar una acción individual en la corte de reclamos menores, pero tales acciones en la corte de reclamos menores no podrán ser realizadas en una acción colectiva o representativa.

**Normas y procedimientos de arbitraje.** Para comenzar con el arbitraje de un reclamo, usted o LG deben realizar una demanda escrita para arbitraje. El arbitraje será administrado por la Asociación Americana de Arbitraje (AAA) y se llevará a cabo ante un árbitro único bajo las Normas de Arbitraje del Consumidor de la AAA, que tienen efecto al momento de inicio del arbitraje (en adelante "Normas de la AAA") y bajo los procedimientos establecidos en esta sección. Las Normas de la AAA están disponibles en línea en [www.adr.org/consumer](http://www.adr.org/consumer). Envíe una copia de su solicitud de arbitraje por escrito, así como una copia de esta disposición, a la AAA de la forma descrita en las Normas de la AAA. También debe enviar una copia de su solicitud por escrito a LG en LG Electronics USA, Inc. Attn: Legal Department- Arbitration 111 Sylvan Avenue, Englewood Cliffs, NJ 07632. Si hay un conflicto entre las Normas de la AAA y las reglas establecidas en esta sección, prevalecerán dichas reglas de esta sección. Esta disposición de arbitraje se rige por la Ley Federal de Arbitraje. El juicio se puede introducir en el laudo arbitral en cualquier tribunal de jurisdicción competente. Todos son temas para que el árbitro tome sus decisiones, excepto aquellos asuntos relativos al alcance y aplicabilidad de la cláusula de arbitraje y de la capacidad de arbitraje de la controversia para que el tribunal decida. El árbitro se regirá por los términos de esta disposición.

**Legislación vigente.** La legislación del estado de su residencia regirá esta Garantía Limitada, así como todas las disputas entre nosotros, salvo que sea invalidada o inconsistente con leyes federales aplicables.

**Tarifas / Costos.** Usted no debe pagar ninguna tarifa para comenzar un arbitraje. Al recibir su solicitud de arbitraje por escrito, LG pagará todos los gastos administrativos rápidamente a la AAA, a menos que usted solicite más de \$25,000.00 por daños, en cuyo caso el pago de estos gastos se regirá por las Normas de la AAA. Salvo disposición contraria prevista en el presente documento, LG pagará a la AAA todos los gastos documentales, administrativos y de arbitraje para cualquier arbitraje iniciado, de conformidad con las Normas de la AAA y esta disposición de arbitraje. Si usted prevalece en el arbitraje, LG pagará los honorarios y gastos de sus abogados, siempre y cuando sean razonables, considerando factores que incluyen, entre otros, el monto de la compra y el monto del reclamo. No obstante lo anterior, si la ley aplicable permite una adjudicación de honorarios y gastos razonables de abogados, un árbitro puede otorgarlos en la misma medida que lo haría un tribunal. Si el árbitro considera que la sustancia de su reclamo o la reparación solicitada en la demanda es frívola o se utiliza para un propósito inadecuado (calificado según las normas establecidas en la Norma Federal de Procedimiento Civil 11 (b)), el pago de todos los honorarios de arbitraje se regirá por las Normas de la AAA. En tal situación usted se compromete a reembolsar a LG todos los fondos erogados previamente por ella, cuyo pago es, por otra parte, su obligación, según las Normas de la AAA. Salvo disposición contraria, LG renuncia a cualquier derecho que pudiera tener para solicitarle los honorarios y gastos de sus abogados, si LG prevalece en el arbitraje.

**Audiencias y ubicación.** Si su reclamo es por \$25,000 o menos, usted puede optar que el arbitraje sea realizado únicamente sobre la base de: (1) documentos presentados al árbitro, (2) a través de una audiencia telefónica o (3) por una audiencia en persona, según lo establecido por las Normas de la AAA. Si su reclamo excede \$25,000, el derecho a una audiencia estará determinado por las Normas de la AAA. Cualquier audiencia de arbitraje en persona se realizará en un lugar dentro del distrito judicial federal en el cual resida, a menos que ambos acuerden otra ubicación o estemos de acuerdo con el arbitraje telefónico.

**Exclusión.** Usted puede quedarse fuera de este procedimiento de resolución de la disputa. Si se excluye, ni usted ni LG pueden solicitar al otro que participe en un procedimiento de arbitraje. Para excluirse usted debe enviar una notificación a LG, en un lapso de hasta 30 días continuos, contados a partir de la fecha de la primera compra del consumidor del producto, ya sea por: (i) el envío de un correo electrónico a [optout@lge.com](mailto:optout@lge.com) con el siguiente Asunto: "Exclusión del arbitraje" o (ii) llamada al 1-800-980-2973. Debe incluir en el correo electrónico de exclusión o suministrar por teléfono: (a) su nombre y dirección; (b) la fecha en la cual el producto fue comprado; (c) el nombre o el número del modelo del producto; y (d) el número del serial (el número del serial puede ser hallado (i) en el producto, o (ii) en la dirección de <https://www.lg.com/us/support/repair-service/schedule-repair-continued> al hacer clic en "Find My Model & Serial Number").

Sólo puede excluirse del procedimiento de resolución de conflictos en la forma descrita anteriormente (es decir, por correo electrónico o por teléfono); ninguna otra forma de notificación será efectiva para hacerlo. Excluirse de este procedimiento de resolución de controversias no afectará de ninguna manera la cobertura de la Garantía Limitada, por lo que usted continuará disfrutando de todos sus beneficios. Si conserva este producto y no se excluye, usted acepta todos los términos y condiciones de la cláusula de arbitraje descrita anteriormente.

# GARANTÍA LIMITADA

## CANADÁ

Si su Refrigerador LG ("Producto") falla debido a defectos en los materiales o en la mano de obra bajo condiciones normales y apropiadas de uso, durante el período de garantía expresado a continuación, LG Electronics Canadá, Inc. ("LGECEI") llevará a cabo, a su criterio, la reparación o el reemplazo del producto una vez se haya presentado el recibo original de compra. Esta garantía limitada es válida únicamente para el comprador original del producto y aplica únicamente a productos distribuidos, comprados y utilizados en Canadá, según lo determinado a discreción de LGECEI.

PERÍODO DE GARANTÍA (Nota: Si la fecha original de compra no pudiera ser verificada, la vigencia de la garantía comenzará sesenta (60) días a partir de la fecha de manufactura)			
Refrigerador	Sistema Sellado (Condensador, Filtro desecante, Tubo Conector y Evaporador)		Compresor Lineal / Inversor
Un (1) año a partir de la fecha original de compra	Un (1) año a partir de la fecha original de compra	Siete (7) años a partir de la fecha original de compra	Diez (10) años a partir de la fecha original de compra
Piezas y mano de obra (solo piezas internas/ funcionales)	Piezas y mano de obra	Solo piezas (Se le cobrará mano de obra al consumidor)	Solo piezas (Se le cobrará mano de obra al consumidor)

- Los productos y las piezas de repuesto están garantizados durante el tiempo restante del período original de garantía o noventa (90) días, lo que resulte mayor.
- Los productos y las piezas de repuesto pueden ser nuevos, reacondicionados, renovados, o refabricados, todo esto a discreción de LGECEI.
- A manera de obtener el servicio de garantía bajo esta Garantía Limitada, se requiere prueba de la compra original del producto especificando el modelo del mismo y la fecha de compra.

**LA RESPONSABILIDAD EXCLUSIVA DE LGECEI SE LIMITA A LA GARANTÍA LIMITADA ARRIBA EXPRESADA. SALVO LO EXPRESAMENTE PROVISTO MÁS ARRIBA, LGECEI NO OTORGA Y POR LA PRESENTE NIEGA TODA OTRA GARANTÍA O CONDICIÓN RESPECTO AL PRODUCTO, EXPRESA O IMPLÍCITA, INCLUYENDO A TÍTULO ENUNCIATIVO MÁS NO LIMITATIVO CUALQUIER GARANTÍA O CONDICIÓN DE COMERCIALIZACIÓN, O APTITUD PARA UN FIN PARTICULAR; Y NINGUNA DECLARACIÓN SERÁ VINCULANTE PARA LGECEI. LGECEI NO AUTORIZA A NINGUNA PERSONA A CREAR O ASUMIR EN SU NOMBRE CUALQUIER OTRA OBLIGACIÓN DE GARANTÍA EN RELACIÓN CON EL PRODUCTO. EN LA MEDIDA EN QUE TODA GARANTÍA O CONDICIÓN ES IMPLÍCITA DE ACUERDO A LA LEY, ÉSTA SE LIMITA AL PERÍODO DE GARANTÍA EXPRESADO PREVIAMENTE. BAJO NINGUNA CIRCUNSTANCIA SERÁ LGECEI, EL FABRICANTE, O DISTRIBUIDOR, RESPONSABLE POR DAÑOS INCIDENTALES, CONSECUENTES, ESPECIALES, DIRECTOS O INDIRECTOS, DAÑOS PUNITIVOS O EJEMPLARES, INCLUYENDO, SIN LIMITARSE A, PÉRDIDA DE USO O CUALQUIER OTRO DAÑO, YA SEA QUE SURJA DIRECTA O INDIRECTAMENTE DE CUALQUIER INCUMPLIMIENTO CONTRACTUAL, FUNDAMENTAL, PERJUICIO, O POR CUALQUIER ACCIÓN U OMISIÓN. TODA RESPONSABILIDAD DE LGECEI, EN CASO EXISTIR, NO DEBERÁ EXCEDER EL PRECIO QUE USTED HAYA PAGADO POR EL PRODUCTO.**

Esta Garantía Limitada le otorga derechos legales específicos. Usted podría contar con otros derechos, que pueden variar de provincia a provincia, dependiendo de las leyes provinciales aplicables. Todo término incluido en esta Garantía Limitada que niegue o modifique cualquier condición o garantía implícita sujeto a la ley provincial es divisible y separable cuando entre en conflicto con la ley provincial sin afectar el resto de los términos de esta garantía.

### ESTA GARANTÍA LIMITADA NO CUBRE LO SIGUIENTE:

- Viajes del servicio técnico para i) entregar, buscar, instalar o; educar al cliente sobre la operación del Producto; ii) corrección de cableado o fontanería; ó iii) corrección de reparaciones/instalaciones no autorizadas en el Producto;
- Daños o fallos en el funcionamiento del Producto debido a fallas e interrupciones del suministro eléctrico o a un servicio eléctrico inadecuado;
- Daños o fallos causados por tuberías de agua rotas o con fugas, tuberías de agua congeladas, líneas de desagüe restringidas, suministro de agua inadecuado o interrumpido, o suministro de aire inadecuado;
- Daños o fallos resultantes de operar el producto en una atmósfera corrosiva o contraria a las instrucciones detalladas en el manual del propietario del Producto;
- Daños o fallas del Producto causados por accidentes, pestes y alimañas, rayos, viento, incendio, inundaciones, hechos de fuerza mayor, o por cualquier otra causa fuera del control de LGECEI o del fabricante;

## 50 GARANTÍA LIMITADA

---

- Daño o fallo causado por el mal uso, abuso, instalación, reparación o mantenimiento inapropiados del Producto. La reparación inapropiada incluye la utilización de piezas no autorizadas o especificadas por LGECI. El mantenimiento o la instalación inapropiada incluye todo aquel llevado a cabo de forma contraria a lo expresado en el manual del propietario del Producto;
- Daño o fallo causado por la modificación o alteración no autorizada del Producto, o si se ha utilizado para otro propósito/ uso que no fuera el doméstico previsto, o daños o fallos provocados por cualquier pérdida de agua ocasionada por una instalación inapropiada del Producto;
- Daño o fallo causado por corriente eléctrica o voltaje incorrectos, o códigos de cañería;
- Daño o fallo causado por un uso distinto al normal hogareño, incluyendo, sin limitación, el uso comercial o industrial, incluyendo aquel en oficinas comerciales o instalaciones de recreación, o contrario a las instrucciones incluidas en el manual del propietario del Producto.
- Daño o fallo causado por el uso de cualquier accesorio, componente o producto de limpieza no aprobado/autorizado por LGECI, incluyendo, sin limitarse a, filtros de agua;
- Reemplazo del cartucho del filtro de agua debido a, presión del agua fuera del rango de operación especificado o, a cantidades excesivas de sedimento en el suministro de agua;
- Daño o fallo causado por el transporte y el manejo, incluye rayas, muescas, astillado y otros daños al acabado del Producto, **a menos que** tales daños resulten de defectos de materiales o de fabricación, y se informe a LGECI dentro del plazo de una (1) semana de la entrega del Producto.
- Daño o elementos faltantes de cualquier producto de exposición, caja abierta, restaurado o de descuento;
- Producto restaurado o vendido como "En el estado actual", "En el sitio actual", "Con todos sus defectos", o con cualquier aviso similar;
- Productos con números de serie originales que hayan sido removidos, alterados o que no pueden ser fácilmente determinados a discreción de LGECI;
- Aumentos en los costos de los servicios públicos y otros gastos adicionales relacionados de cualquier manera con el Producto;
- Cualquier ruido asociado con la operación normal del Producto;
- Reemplazo de bombillas, filtros, fusibles o cualquier otra parte consumible;
- Reemplazo de cualquier parte que no haya sido incluida originalmente con el Producto;
- Gastos relacionados con la retirada y/o reinstalación del Producto para reparación; y
- Estantes, bandejas de puerta, cajones, manijas y accesorios del Producto, a excepción de las partes internas/funcionales cubiertas bajo esta Garantía Limitada.
- Se proveerá cobertura para reparaciones "en casa" a aquellos productos con garantía que se encuentren dentro de un radio de 150 km desde el centro de servicio autorizado (ASC) más cercano, según ha sido determinado por LG Canada. Si su Producto se encuentra ubicado fuera del radio de 150 km a partir del ASC, según ha sido determinado por LG Canada, será su responsabilidad llevar el Producto, y cubrir los gastos que esto implique, al ASC para una reparación bajo garantía en dicho centro.

**Todos los costos y gastos asociados con las circunstancias de exclusión mencionadas anteriormente, listadas bajo el título, Esta Garantía Limitada No Cubre, serán abonados por el consumidor.**

PARA OBTENER SERVICIO DE GARANTÍA E INFORMACIÓN ADICIONAL, POR FAVOR LLAME O VISITE NUESTRO SITIO WEB:

Comuníquese al 1-888-542-2623 (7 A.M. a 12 A.M., 365 días al año) y seleccione la opción apropiada del menú, o visite nuestro sitio web en <http://www.lg.com>





LG Customer Information Center

For inquiries or comments,  
visit [www.lg.com](http://www.lg.com) or call:

**1-800-243-0000** USA

**1-888-542-2623** CANADA

Register your product Online!

[www.lg.com](http://www.lg.com)