

**LG REFRIGERATION**
**LRFCS25D3S**
**3-Door French Door Refrigerator**

33" Width

PrintProof™ Stainless Steel

Factory Installed Ice Maker

SmartDiagnosis™

ENERGY STAR® Qualified

**AVAILABLE COLORS**


PrintProof™ Stainless Steel

**CAPACITY**

Refrigerator (cu.ft.)	16.90
Freezer (cu.ft.)	8.30
Total Capacity (cu.ft.)	25.10

**ENERGY**

Energy Consumption (kWh/Year)	608
ENERGY STAR® Qualified	Yes

**WATER & ICE SYSTEM**

Daily Ice Production (lbs)	2.5 lbs
IcePlus™ Production (lbs)	2.7 lbs
Ice Storage Capacity (lbs)	12 lbs
Ice System	Factory Installed Ice Maker

**COOLING**

Linear Compressor	Yes
Smart Cooling™ System	Yes
Multi-Air Flow™ System	Yes
Temperature Sensors	6
Evaporator	1

**CONVENIENCE**

Display Type	Membrane / White LED
Temperature Controls	Electronic/Digital
Door Alarm	Yes
Auto Closing Door Hinge	Yes (Left Door Only)
Sabbath Mode	Yes
LoDecibel™ Quiet Operation	Yes

**REFRIGERATOR**

No. of Shelves	2 Full
Shelf Construction	Spill Protector™ Tempered Glass
Crisper Bins	2 Humidity Crispers
Refrigerator Light	Ceiling LED

**REFRIGERATOR DOOR**

No. of Bins	6 Total (6 Gallon Sized)
Door Bin Construction	1 Piece (Clear)

**FREEZER**

Door Type	Pull Drawer
Drawers	2-Tier Organization
DuraBase™ Solid Drawer Base	Yes



Drawer Divider	Yes
Ice Bin / In-Door Ice	Yes
Freezer Light	LED
Freezer Handle	Vista

**SMART FEATURES**

SmartDiagnosis™	Yes
-----------------	-----

**MATERIALS AND FINISHES**

Contour Door	Yes
Hidden Hinges	Yes
Surface	Smooth
Fingerprint & Smudge Resistant Exterior	Yes
Handles	Matching Commercial Handles
All Available Colors	PrintProof™ Stainless Steel

**DIMENSIONS/CLEARANCES/WEIGHTS**

Depth with Handles	35 1/2"
Depth without Handles	29 1/2"
Depth without Door	33 1/4"
Depth (Total with Door Open)	46 3/4"
Height to Top of Case	68 5/8"
Height to Top of Door Hinge	69 7/8"
Width	32 7/8"
Depth (Total with Freezer Drawer Open)	53 3/8"
Width (Door Fully Open without Handle)	59"
Case Edge Clearance (Door Fully Open)	14 5/8"
Installation Clearance	Sides 2", Top 2", Back 2"
Weight (Unit/Carton)	234 lbs. /255.7 lbs.
Carton Dimensions (WxHxD)	35" x 73" x 38"

**LIMITED WARRANTY**

Parts & Labor	1 Year
Sealed System (Parts & Labor)	5 Years
Compressor (Parts & Labor)	5 Years
Linear Compressor (Parts Only)	6-10 Years

**UPC CODES**

LRFCS25D3S (PrintProof™ Stainless Steel)	048231807814
--	--------------

## LG REFRIGERATION

## LRFCS25D3S

3-Door French Door Refrigerator

## QUICK INSTALL &amp; CLEARANCES

For full installation directions/clearances please refer to the corresponding User Manual and Installation Guide.

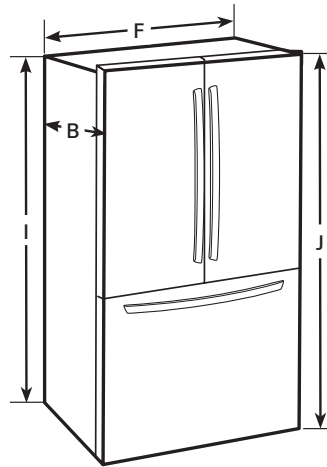
## DIMENSIONS/CLEARANCES/WEIGHTS

A Depth with Handles	35 1/2"
B Depth without Handles	29 1/2"
C Depth without Door	33 1/4"
D Depth (Total with Door Open)	46 3/4"
E Depth (Total with Freezer Drawer Open)	53 3/8"
F Width	32 7/8"
G Width (Door Fully Open without Handle)	59"
I Height to Top of Case	68 5/8"
J Height to Top of Door Hinge	69 7/8"
K Case Edge Clearance (Door Fully Open)	14 5/8"
L Front Clearance	27"
Installation Clearances	Sides 2", Top 2", Back 2"
Carton Dimensions (WxHxD)	35" x 73" x 38"

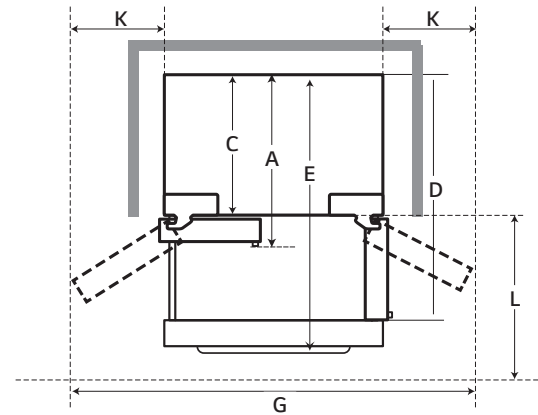
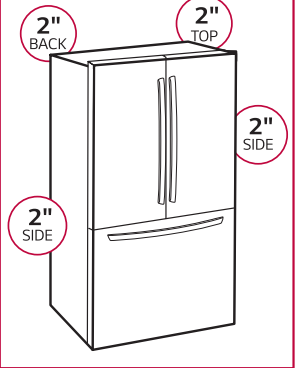
## ENERGY

Energy Consumption (kWh/Year)	608
ENERGY STAR® Qualified	Yes

## PRODUCT DIMENSIONS



## CLEARANCES



## CHOOSING THE PROPER LOCATION

## WATER

Select a place where a water supply can be easily connected for the automatic

## NOTE

- The water pressure must be 20 – 120 psi or 138 – 827 kPa or 1.4 – 8.4 kgf/cm<sup>2</sup>. If the refrigerator is installed in an area with low water pressure (below 20 psi), you can install a booster pump to compensate for the low pressure.

## ELECTRICITY

The refrigerator should always be plugged into its own individual properly grounded electrical outlet rated for 115 Volts, 60 Hz, AC only, and fused at 15 or 20 amperes. This provides the best performance and also prevents overloading house wiring circuits which could cause a fire hazard from overheated wires. It is recommended that a separate circuit serving only this appliance be provided.

## WARNING

- To reduce the risk of electric shock, do not install the refrigerator in a wet or damp area.

## FLOORING

To avoid noise and vibration, the unit must be leveled and installed on a solidly constructed floor. If required, adjust the leveling legs to compensate for the unevenness of the floor. The front should be slightly higher than the rear to aid in door closing. Leveling legs can be turned easily by tipping the cabinet slightly. Turn the leveling legs to the left to raise the unit or to the right to lower it.

## NOTE

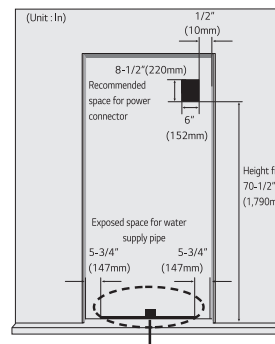
- Installing on carpeting, soft tile surfaces, a platform or weakly supported structure is not recommended.

## AMBIENT TEMPERATURE

Install this appliance in an area where the temperature is between 55°F (13°C) and 110°F (43°C). If the temperature around the appliance is too low or high, cooling ability may be adversely affected.

## CONNECTING POWER AND SECURING SPACE FOR WATER SUPPLY PIPE

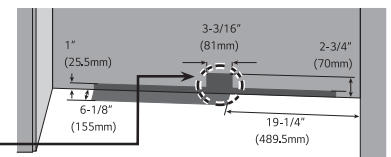
- Make sure the location of the water supply pipe is within the marked range.
- Before connecting the power, always make sure to ground the product. (If the product is not grounded, the user may be able to feel the electricity due to the minute leakage current when touching the refrigerator door handle or side corner even when there is no issue with the product.)
- Do not ground the product to gas pipe, plastic water pipe or telephone wire etc. It can cause electric shock and explosion.



## Power connection

The location of the 115V 60Hz power connector must be located on the rear side of the product as shown in the picture.

When installing the product, make sure to check whether the cord is hung on the hook on the rear side so that it is not pressed on the refrigerator. Damaged power cord can cause a fire.



## Installation space for water supply pipe

Place the water hose for ice maker and water dispenser as shown in the picture, and prepare hose to come up from the floor. (Copper pipe with diameter of 5/16" (8mm) is recommended for the water hose.) If the water pipe and water hose is located far from the product, bury the water hose on the floor and provide appropriate treatment.

