

# ELKAY® SPECIFICATIONS

## Lustertone® Double Bowl Sinks Models LR250 and LRQ250 Models LRAD250 and LRADQ250 – A.D.A. Compliant

### GENERAL

Highest quality sink bowls seamlessly formed of #18 gauge, type 304 (18-8) nickel bearing stainless steel. Self-rimming.

### DESIGN FEATURES

LR(Q) Bowl Depth: 7-7/8".

LRAD(Q) Bowl Depth: 5-1/2", 6" or 6-1/2".

Coved Corners: 1-3/4" vertical and horizontal radius.

Bowl and Faucet Deck Recess: 3/16" below outside edge of sink.

Finish: Exposed surfaces are hand blended to a lustrous highlighted satin finish.

Underside: Fully undercoated to dampen sound and prevent condensation. LR(Q)250 underside is fully protected by heavy duty Sound Guard® undercoating.

### OTHER

LR(Q)250 and LRAD(Q)250 drain openings are 3-1/2" and located as illustrated. Note LRAD(Q)250 small bowl drain is located centered left-to-right and off-center front-to-back as illustrated.

NOTE: Unless otherwise specified, sink is furnished with 4 faucet holes as shown.

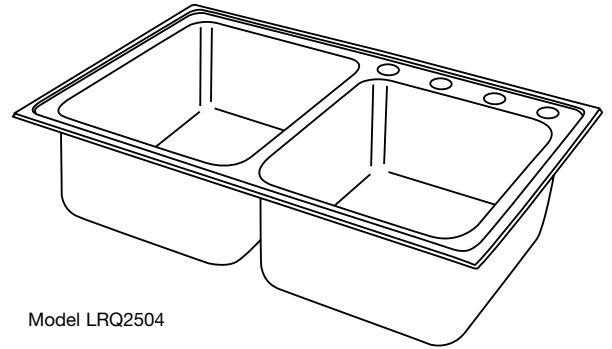
### OPTIONAL ACCESSORIES

Rinsing Baskets: LKRB1611, LKRB1614 or LKERBSS.

Bottom Grids: LKBG1613 [LR(Q)250], LKOBG1613 [LRAD(Q)250].

Cutting Boards: CB1613, CB1713, CBR1316, CBR1418, CBS1316 or CBS1418.

These sinks comply with ANSI Standard A112.19.3M.



Model LRQ2504

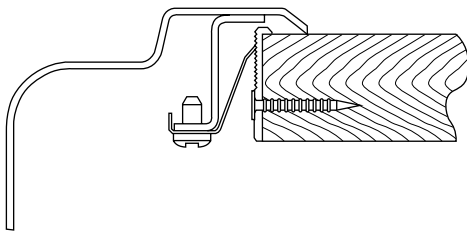
### SINK DIMENSIONS (INCHES)\*

U-Channel Model Number	Quick-Clip® Model Number	Overall		Inside Left Bowl			Inside Right Bowl			Cutout in Countertop (1 1/2" Radius Corners)		No. of 1 1/2" Dia. Faucet Holes 4" Center	Minimum Cabinet Size	Ship. Wt. Lbs.
		L	W	L	W	D	L	W	D	L	W			
LR250	LRQ250	33	22	14	18	7 7/8	13 1/2	16	7 7/8	32 3/8	21 3/8	1, 2, S2, 3 or 4	36	21
LRAD250	LRADQ250	33	22	14	18	**	13 1/2	16	**	32 3/8	21 3/8	1, 2, S2, 3 or 4	36	21

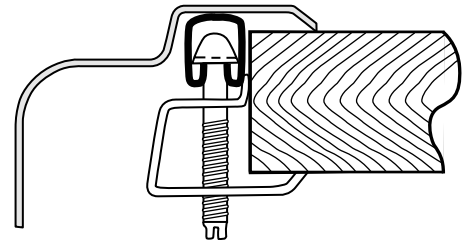
\*Length is left to right. Width is front to back.

\*\*Available in 5-1/2", 6" and 6-1/2" depths. Please consult your sales representative for other depths or modifications.

#### Quick-Clip® Mounting System



#### U-Channel Type Mounting System



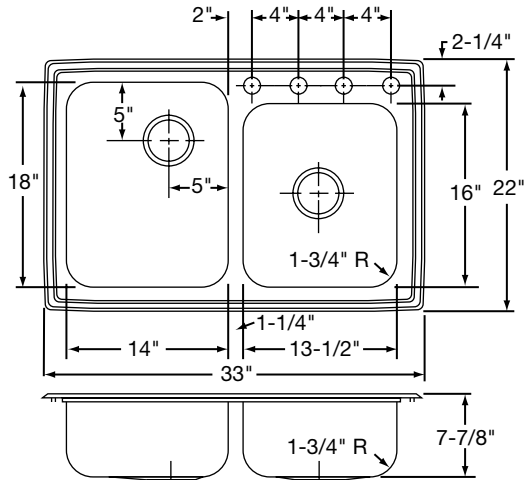
THIS PRODUCT, AS CONSTRUCTED IS SUBJECT TO INTERPRETATION OF A.D.A. REQUIREMENTS. THE UNOBSTRUCTED KNEE SPACE REQUIRED TO SATISFY A.D.A. STANDARDS MAY NOT BE DESIRABLE.

SEE OTHER SIDE FOR PRODUCT DIMENSIONS.

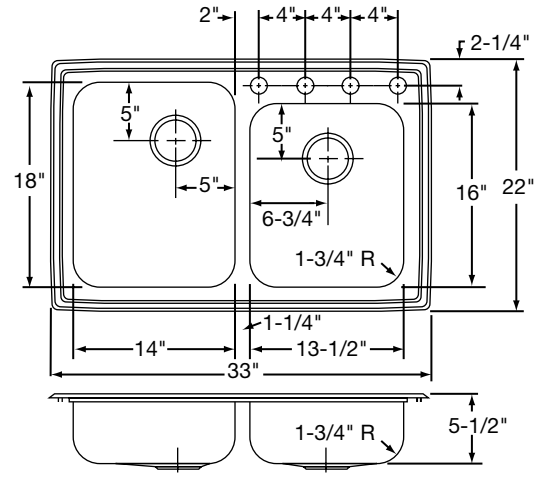
ALL DIMENSIONS IN INCHES, TO CONVERT TO MILLIMETERS MULTIPLY BY 25.4.

In keeping with our policy of continuing product improvement, Elkay reserves the right to change product specifications without notice.

This specification describes an Elkay product with design, quality and functional benefits to the user. When making a comparison of other producers' offerings, be certain these features are not overlooked.

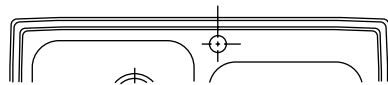


Model LR(Q)250 Illustrated

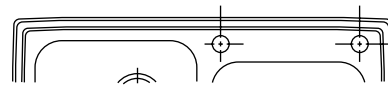


Model LRAD(Q)250554 Illustrated

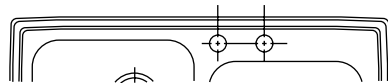
**HOLE DRILLING CONFIGURATIONS**



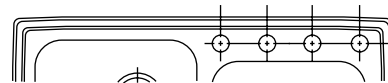
LR(AD)(Q)2501



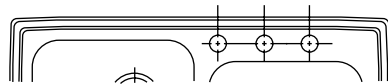
LR(Q)250S2



LR(AD)(Q)2502



LR(AD)(Q)2504



LR(AD)(Q)2503