

Job Name/Location:

Tag #:

Date:

For:  File  Resubmit  
 Approval  Other \_\_\_\_\_

PO No.:

Architect:

GC:

Engr:

Mech:

Rep:

(Company)

(Project Manager)

**LMVN360HV**  
 Multi F Vertical/Horizontal Air Handling Unit  
 36,000 Btu/h Indoor Unit



**Performance:**

Nominal Capacity (Btu/h)	36,000
--------------------------	--------

Cooling Nominal Test Conditions: Indoor: 80°F DB/67°F WB Outdoor: 95°F DB/75°F WB  
 Heating Nominal Test Conditions: Indoor: 70°F DB/60°F WB Outdoor: 47°F DB/43°F WB

**Electrical:**

Power Supply (V <sup>1</sup> /Hz/Ø)	208-230/60/1
Rated Amps (A)	1.12

**Piping:**

Liquid Line (in, OD)	3/8
Vapor Line (in, OD)	5/8
Drain OD, ID (in)	3/4 FPT
Temperature Sensor	Thermistor

**Features:**

- ESP control
- Hot start
- Auto restart
- Child lock
- Inverter (variable speed fan)
- Group control
- Sleep mode
- Timer (on/off)

**Optional Accessories (sold separately)**

- LG Programmable Controller - PREMTB10U
- Wireless Handheld Remote Controller<sup>2</sup> - PQWRHDF0
- AC Smart II - PQCSW320A1E
- ACP without Digital I/O - PQCPA11A03
- ACP with Digital I/O - PQCPB11A0E
- LonWorks Gateway - PQNFB16A1
- BACnet Gateway - PQNFB17B0
- AC Ez - PQCSZ250S0
- Dry Contact Unit Dry Contact Unit (1 contact, 24 VAC external power) - PQDSB1
- Dry Contact Unit Dry Contact Unit (2 input, power from indoor unit) - PQDSBC
- Dry Contact for third party thermostat - PQDSBNGCM1
- Remote Temperature Sensor - PQRSTA0
- 5 kW Electric Heater - ANEH053B1
- 10 kW Electric Heater - ANEH103B2

**Operating Range:**

Cooling Max (°F WB)	76
Heating Min (°F DB)	59

**Unit Data:**

Refrigerant Type	R410A
Refrigerant Control	EEV
Sound Pressure <sup>3</sup> H/M/L (±3 dB(A))	45/44/43
Net Unit Weight (lbs)	121
Shipping Weight (lbs)	135

**Fan:**

Type	Sirocco
Quantity	1
Motor/Drive	Brushless Digitally Controlled/Direct
Airflow Rate H/M/L (CFM)	990/880/800
External Static Pressure <sup>4</sup> (in wg)	0.5

**Standard Features:**

- Access Panel for Field Supplied Air Filter  
 • (16 x 20 x 1 inch)

**Notes:**

1. Acceptable operating voltage: 187V-253V.
2. Requires an LG Programmable Thermostat.
3. Sound Pressure levels are tested in an anechoic chamber under ISO Standard 1996.
4. Adjust fan speed to correct for static pressure increases when using field supplied air filter or heat kit.
5. See Engineering Manual for sensible and latent capacities.
6. All power/communication cable to be minimum 18 AWG, 4-conductor, stranded, shielded and must comply with applicable local and national code.
7. Power wiring cable size must comply with the applicable local and national codes.
8. This unit comes with a dry helium charge.
9. Corresponding refrigerant piping length is in accordance with standard length of each outdoor unit and the level difference is 0 ft. All capacities are net with a combination ratio between 95 – 105%.
10. Must follow installation instructions in the applicable LG installation manual.

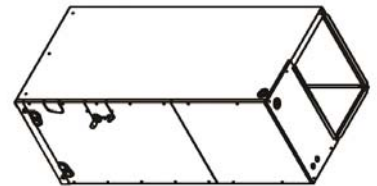
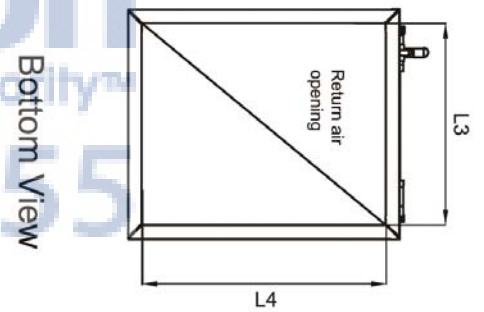
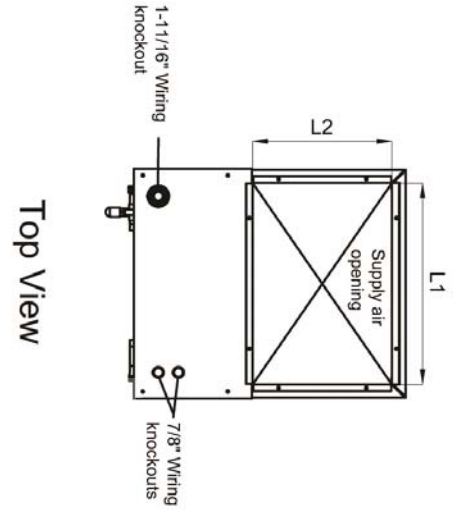
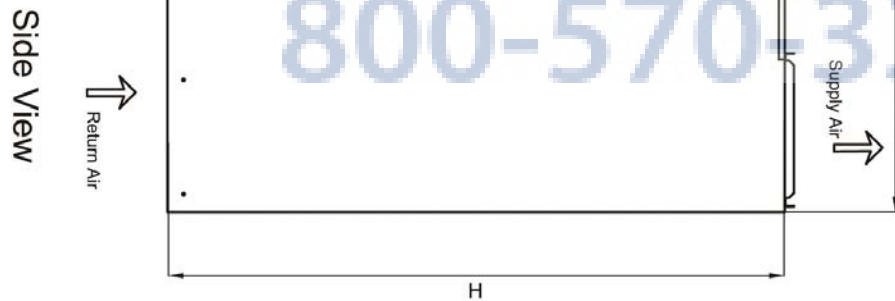
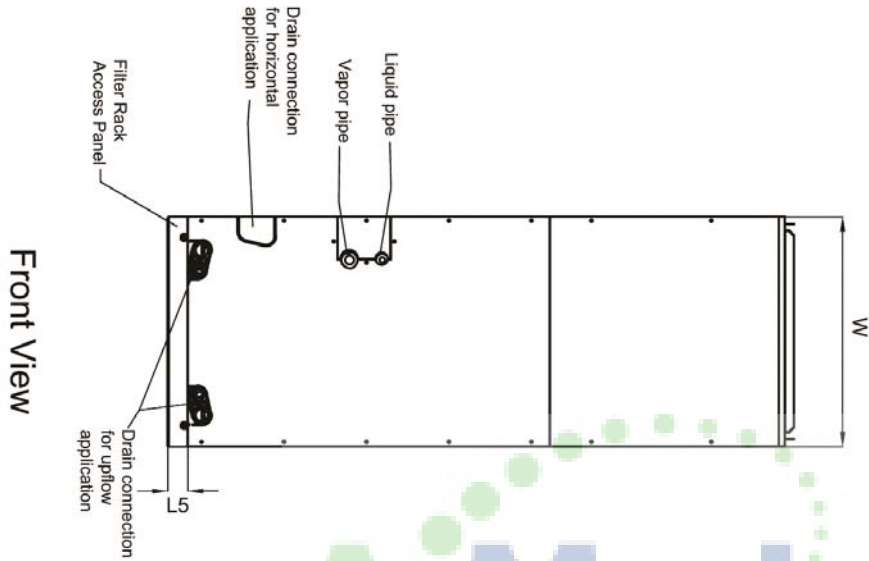


Job Name/Location:

**LMVN360HV**  
 Multi F Vertical/Horizontal Air Handling Unit  
 36,000 Btu/h Indoor Unit



Tag #: \_\_\_\_\_  
 Date: \_\_\_\_\_  
 PO No.: \_\_\_\_\_



AjMadison  
 Your Appliance Authority™  
 800-570-3355

W	18"
D	21 1/4"
H	48 5/8"
L1	17"
L2	12 1/8"
L3	17 1/2"
L4	20"
L5	1 9/16"