

MULTI F

MULTI F MAX

HEAT PUMP SYSTEM ENGINEERING MANUAL

Multi-Zone Heat Pump Systems 1.5 to 4.5 Tons



Dual and Tri-Zone
Multi F



Quad-Zone
Multi F



Eight-Zone
Multi F MAX

PROPRIETARY DATA NOTICE





**This document, as well as all reports, illustrations, data, information, and other materials are the property of LG Electronics U.S.A., Inc., and are disclosed by LG Electronics U.S.A., Inc., only in confidence.
This document is for design purposes only.**

EM-MultiFODU-01-15

For continual product development, LG reserves the right to change specifications without notice.
©LG Electronics Inc.

About LG Electronics, Inc.....	4	Multi F MAX Branch Distribution Unit Product Data	331-340
Multi-Zone Systems.....	4	Features and Benefits	332
Unit Nomenclature.....	6	Mechanical Specifications	333
Outdoor Unit Overview	7	General Data	334
Indoor Unit Overview	8	Dimensions.....	335
Controls and Options Overview.....	9-13	Refrigerant Flow Diagram.....	336
Multi F Outdoor Unit Product Data	15-286	Wiring Diagram.....	337
Product Features and Benefits	16	Y-Branch Accessory.....	338
Mechanical Specifications	17	Branch Distribution Unit Orientation	339
General Data	18-19	Application Guidelines.....	341-358
Dimensions.....	20-22	Equipment Selection Procedure	342-347
Rated Cooling Combination Tables	23-30	Building Ventilation Design Guide	348-352
Rated Heating Combination Tables	31-38	Placement Considerations.....	353-358
Cooling Capacity Tables	39-182	Refrigerant Piping Design & Layout Best Practices	359-380
Heating Capacity Tables.....	183-278	Design Guideline Summary.....	360-361
Electrical Data	279	Creating a Balanced / Quality Piping System.....	362
Acoustic Data	279	Manual Layout Procedure	362
Refrigerant Flow Diagrams.....	280-282	LG Engineered Multi F MAX Y-Branch Kits	363
Wiring Diagrams.....	283-285	Refrigerant Charge	364-365
Operation Range.....	286	Selecting Field-Supplied Copper Tubing	366-367
Multi F MAX Outdoor Unit Product Data	287-330	Refrigerant Piping System Layout.....	368-375
Product Features and Benefits	288	Piping Insulation	376
Mechanical Specifications	289	Condensate Drain Piping.....	377-378
General Data	290-291	Cut Sheet.....	379
Dimensions.....	292	Wiring Connections.....	381-390
Rated Cooling Combination Tables	293-295	General Information.....	382-384
Rated Heating Combination Tables	296-298	Power Wiring and Communications Cable Details	385-389
Cooling Capacity Tables	299-315	Indoor Unit Group Control	390
Heating Capacity Tables.....	316-326	Acronyms	391
Electrical Data	327		
Acoustic Data	327		
Refrigerant Flow Diagrams.....	328		
Wiring Diagrams.....	329		
Operation Range.....	330		

TABLE OF SYMBOLS

 DANGER	<i>This symbol indicates an imminently hazardous situation which, if not avoided, will result in death or serious injury.</i>
 WARNING	<i>This symbol indicates a potentially hazardous situation which, if not avoided, could result in death or serious injury.</i>
 CAUTION	<i>This symbol indicates a potentially hazardous situation which, if not avoided, may result in minor or moderate injury.</i>
Note:	<i>This symbol Indicates situations that may result in equipment or property damage accidents only.</i>
	<i>This symbol indicates an action that should not be performed.</i>

CONVERGENCE OF TECHNOLOGY, INNOVATION, FLEXIBILITY, & STYLE



About LG Electronics, Inc.

LG Electronics, Inc. is a global leader and technology innovator in consumer electronics, mobile communications, and home appliances, employing more than 213,000 people in more than 60 countries worldwide. LG Electronics, Inc. comprises five business units—Home Entertainment, Mobile Communications, Air Conditioning, Business Solutions, and Home Appliance. LG is one of the world's leading producers of flat panel televisions, audio and video products, mobile handsets, air conditioners, and washing machines. LG's commercial air conditioning business unit was established in 1968 and has built its lineup of residential and commercial products to include VRF, Multi F, duct-free split systems, packaged terminal air conditioners (PTACs), and room air conditioners. In 2011, the air conditioning and energy solutions business unit grew to include LED lighting and solar products. For more information, visit www.lg-dfs.com.

Multi-Zone Systems

LG HVAC systems offer a range of solutions that are cost efficient, quiet and attractive. Multi-zone systems are "split" into indoor and outdoor units, and provide a smart alternative to both central HVAC and window-mounted air conditioners. These inverter heat pump systems are available in a variety of configurations to suit different cooling and heating situations. Installation by a qualified HVAC contractor is safe and easy – little to no duct work or sheet metal is required.

Benefits of Multi F Systems

- Individual zone control
- Long refrigerant piping lengths
- High refrigerant piping elevation differences
- Maximum flexibility
- Operating ranges of 14°F to 118°F (DB) in cooling and -4°F to 64°F (WB) in heating
- Quiet and comfortable environment
- Reduced ductwork



Multi F Systems

LG's inverter heat pumps can support two, three, or four indoor units that are typically installed in separate rooms. Each indoor unit includes its own remote control, allowing the customer to set the temperature individually. Indoor units are available in several different configurations: Art Cool™ Mirror wall-mounted, Art Cool Gallery wall-mounted, standard wall-mounted, four-way ceiling cassettes, ceiling-concealed duct (high and low static), and vertical-horizontal air handling models. Multi F MAX systems, released in 2012, can operate up to eight indoor units through two-, three-, or four-port branch distribution units.

Adaptable and Flexible

Multi F outdoor units can be adapted to a wide range of building applications and sizes such as schools, hotels, hospitals, offices, and residences. The system components are lightweight and compact so they can be placed in buildings without expensive cranes, they easily fit into most service elevators, and they can be set in place with minimal structural reinforcements requirements.

Multi F technology allows you to pipe farther by reaching areas of the building that would require the installation of a second system when using traditional direct-expansion cooling and heating equipment. Multi F provides the designer with uncompromised pipe system engineering flexibility—long pipe runs and large elevation differences. Whether your building is a condominium, a hotel, a school, or an office complex, Multi F is best suited to reach the farthest corners and elevations.

Smaller Chases and Plenums

LG Multi F systems use refrigerant piping to move heat, resulting in smaller space requirements for piping as compared to chilled water or roof top systems. This helps reduce the overall construction and material cost of the building, and gives back leasable space. Flexible and logical placement of system components, reduced back-and-forth pipe lengths, and fewer joints lowers installation costs and minimizes potential leaking.

Quality Commitment

LG is committed to the success of DFS projects. We provide technical support during installation and commissioning. LG offers a variety of classes designed for installers and on Multi F installation. Classes are conducted at LG's training centers and in field locations at various times throughout the year and upon special request.



MULTI F

PRODUCT INTRODUCTION

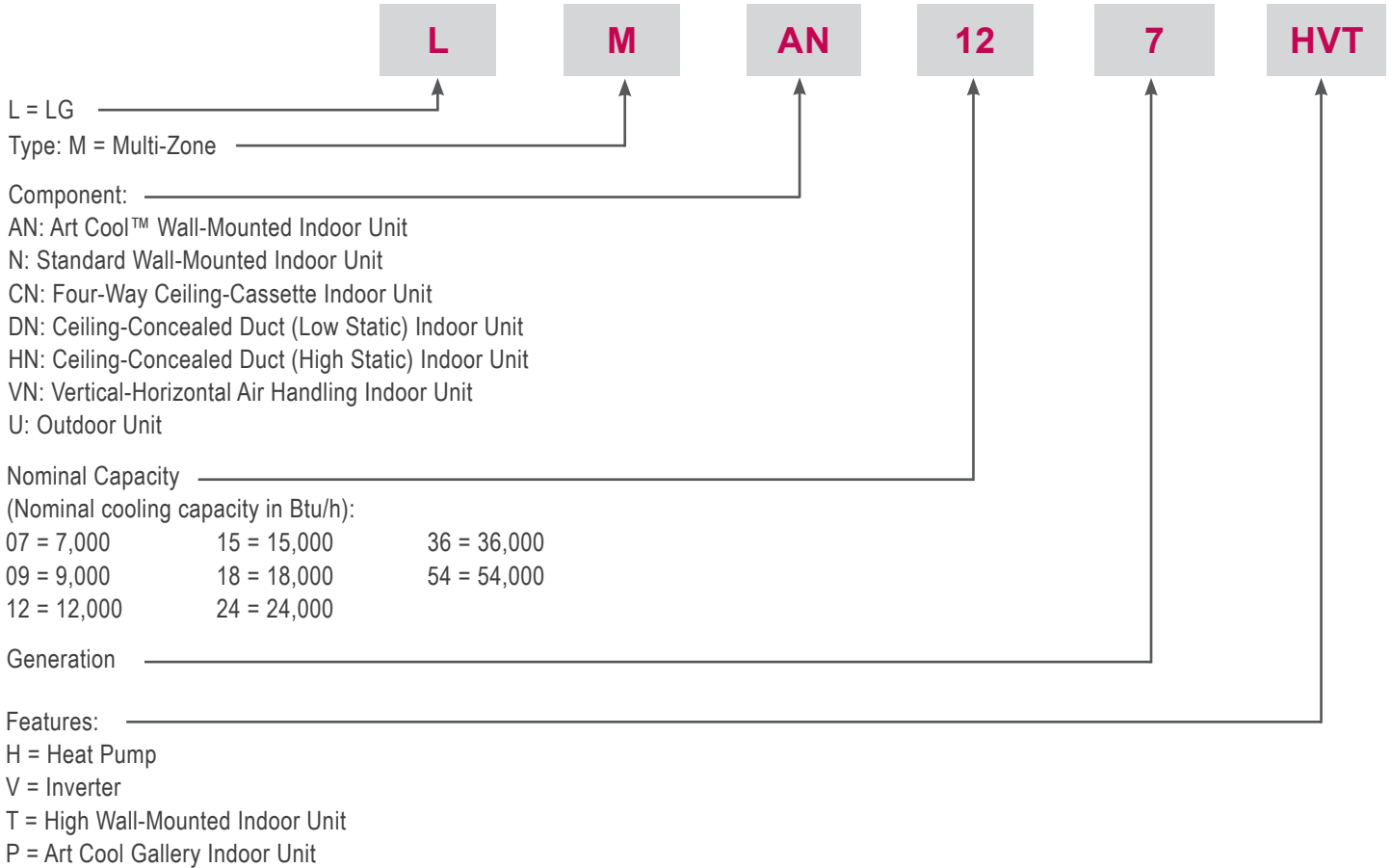
“Unit Nomenclature” on page 6

“Outdoor Unit Overview” on page 7

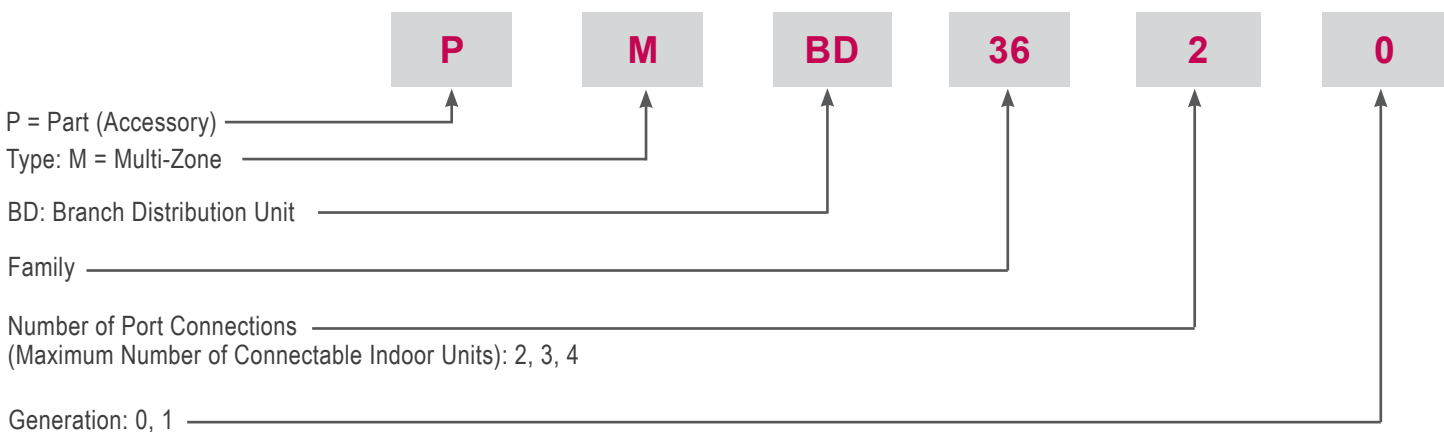
“Indoor Unit Overview” on page 8

“Controls and Options Overview” on page 9

Multi-Zone Systems — Indoor Units and Outdoor Units







Branch Distribution Units



Note:

- Voltage for all equipment is 208-230V, 60 Hz, 1-phase.
- All indoor units are compatible with wired controllers
- All outdoor units are LGAP control network compatible with PI-485 V-net Control Integration Board (PMNFP14A1, sold separately).
- Compatible single zone IDU nomenclature is listed in the Single Zone Wall-Mounted IDU Engineering Manual.

Table 1: Summary Data—Multi F / Multi F MAX Outdoor Units

Outdoor Unit Type	Model Number ¹	Dimensions (W x H x D) (inches)	Nominal Cooling Capacity Btu/h ²	Net Weight (lbs.)	No. of Connectable Indoor Units ³	Pipe Connections (inches, O.D.) (Liquid, Vapor)
Multi F Dual-Zone 	LMU18CHV	34-1/4 x 25 25/32 x 12-19/32	18,000	100	2-2	1/4 x 2 Each, 3/8 x 2 Each
Multi F Tri-Zone 	LMU24CHV	34-1/4 x 25 25/32 x 12-19/32	24,000	100	2-3	1/4 x 3 Each, 3/8 x 3 Each
Multi F Quad-Zone 	LMU36CHV	37-13/32 x 32-27/32 x 13	36,000	137	2-4	1/4 x 4 Each, 3/8 x 4 Each
Multi F MAX Eight-Zone 	LMU540HV	37-13/32 x 54-11/32 x 13	54,000	214	2-8	3/8 x 1 Each, 3/4 x 1 Each

¹Model number shows nominal capacity and frame size designator.

²Nominal capacity rating obtained with air entering the indoor unit at 80°F dry bulb (DB) and 67°F wet bulb (WB) and outdoor ambient conditions of 95°F dry bulb (DB) and 75°F wet bulb (WB).

³Minimum number of connectable indoor units is two (2).

INDOOR UNIT OVERVIEW

MULTI F
MULTI F MAX

Table 2: Summary Data—Multi F Indoor Units.






Indoor Unit Type	Model Number ¹	Dimensions (W x H x D) (inches)	Nominal Cooling Capacity Btu/h ²	Air Flow Rate (CFM) (H/M/L ³)	Net Weight (lbs.)	Pipe Connections (inches, O.D.) (Liquid, Vapor)
Art Cool™ Mirror Wall-Mounted 	LMAN097HVT	35-1/4 x 11-3/8 x 8-1/16	9,000	247 / 230 / 212	25	1/4, 3/8
	LMAN127HVT		12,000	335 / 318 / 300		
	LMAN187HVT	40-9/16 x 12-25/32 x 9-21/32	18,000	572 / 501 / 434	35	1/4, 1/2
Art Cool™ Gallery Wall-Mounted 	LMAN097HVP	23-5/8 x 23-5/8 x 5-25/32	9,000	272 / 208 / 155	32	1/4, 3/8
	LMAN127HVP		11,200	314 / 258 / 198		
Standard Wall-Mounted 	LMN077HVT	35-1/4 x 11-3/8 x 8-9/32	7,000	198 / 177 / 162	23	1/4, 3/8
	LSN090HSV4	34-7/8 x 11-1/4 x 8-1/4	9,000	247 / 230 / 212	20	1/4, 3/8
	LSN120HSV4	34-7/8 x 11-1/4 x 8-1/4	12,000	335 / 318 / 300	20	1/4, 3/8
	LMN157HVT	35-1/4 x 11-3/8 x 8-9/32	14,300	371 / 318 / 247	23	1/4, 3/8
	LSN180HSV4	40-9/16 x 12-13/16 x 9-13/16	18,000	572 / 501 / 434	31	3/8, 5/8
	LMN247HVT	40-9/16 x 12-25/32 x 9-27/32	24,000	720 / 600 / 466	32	1/4, 1/2
Ceiling-Concealed Duct (Low Static) 	LMDN096HV	27-9/16 x 7-15/32 x 27-9/16	9,000	318 / 247 / 194	39	1/4, 3/8
	LMDN126HV	35-7/16 x 7-15/32 x 27-9/16	12,000	353 / 300 / 247		
	LMDN186HV		18,000	530 / 441 / 353	51	1/4, 1/2
Ceiling-Concealed Duct (High Static) 	LMHN240HV	46-17/32 x 11-23/32 x 17-23/32	24,000	688 / 618 / 530	80	1/4, 1/2
	LMHN360HV		36,000	1,130 / 953 / 706	91	3/8, 5/8
Four-Way Ceiling-Cassette 	LMCN077HV	Body: 22-7/16 x 8-7/16 x 22-7/16 Panel: 27-9/16 x 7/8 x 27-9/16	7,000	265 / 212 / 177	31 (Body), 7 (Panel)	1/4, 3/8
	LMCN097HV		9,000	300 / 265 / 230		
	LMCN125HV		12,000	335 / 283 / 247		
	LMCN185HV	Body: 22-7/16 x 10-3/32 x 22-7/16 Panel: 27-9/16 x 7/8 x 27-9/16	18,000	459 / 424 / 388	34 (Body), 7 (Panel)	1/4, 1/2
Vertical-Horizontal Air Handling 	LMVN240HV	18 x 48-21/32 x 21-1/4	24,000	710 / 640 / 480	117	1/4, 1/2
	LMVN360HV		36,000	990 / 880 / 800	121	3/8, 5/8

¹Model number shows nominal capacity and frame size designator.

²Nominal capacity rating obtained with air entering the indoor unit at 80°F dry bulb (DB) and 67°F wet bulb (WB) and outdoor ambient conditions of 95°F dry bulb (DB) and 75°F wet bulb (WB).

³H/M/L = High/Medium/Low.

Table 3: Summary Data—Zone Controllers.

Zone Controller	Name	Model / Part No.	Case Color	Max. Wire Length (ft.)	Description
	Simple Controller with Mode Selection	PQRCVCL0Q	Black	164	Allows control of indoor unit ON / OFF, operation mode, fan speed, and temperature setpoint for up to 16 indoor units. Included with Ceiling-Concealed Duct (High Static and Low Static ¹) and Vertical-Horizontal Air Handling ¹ indoor units; optional accessory for all other indoor unit types.
		AKB72955816 ¹	White		
	Simple Controller without Mode Selection	PQRCHCA0	Black	164	Allows control of indoor unit ON / OFF, fan speed, and temperature setpoint for up to 16 indoor units.
		PQRCHCA0QW	White		
	LG 7-Day Programmable Thermostat	PREMTB10U	White	164	Allows control of indoor unit ON / OFF, operation mode, occupied / unoccupied temperature setpoints, fan speed, and airflow direction for up to 16 indoor units. Programmable schedule with five events per day.
	Wireless Controller	AKB73635606 ³ AKB73635607 ⁴ AKB73835312 ⁵ AKB73757604 ⁶	Ivory	-	Allows control of indoor unit ON / OFF, operation mode, fan speed, and temperature setpoint. Also provides subfunction control. Included with Art Cool Mirror ³ and Gallery ⁴ Wall-Mounted, Standard HVT ³ Wall-Mounted, Standard HSV ⁵ Wall-Mounted, and Four-Way Cassette ⁶ indoor units; optional accessory for Duct and Vertical-Horizontal AHU with use of wired controller.
	Wall-Mounted Remote Temperature Sensor	PQRSTA0	Ivory	50	Allows remote temperature measurement for four-way ceiling cassette, ceiling-concealed duct, and vertical-horizontal air handling indoor units.

¹Simple Mode Controllers for the ceiling-concealed duct (high static and low static) and the vertical-horizontal air handling indoor units are also referenced by Model No. PQRCVCL0QW. Before specifying or placing an order, refer to the V-Net Network Solutions Engineering Product Data Book, and review the detailed technical data provided to fully understand the capabilities and limitations of these devices. For information on controller capability, refer to the Controls and Options Table on page 12

Table 4: Summary Data—Controller Accessories.




Controller Accessory	Name	Model No.	Description	For
	Auxiliary Heater Relay Kit	PRARH0	Adds coordinated control of an external heater with normal heat pump operations. Contact energizes at 2.7°F below setpoint. De-energizes at 2.7°F above setpoint.	Ceiling-concealed duct (high static and low static) and four-way ceiling cassette indoor units.
		PRARS0		Standard and Art Cool Mirror wall-mounted indoor units.




Table 5: Summary Data— Zone Controller Communication Cables.

Communication Cable	Name	Model No.	Max. Wire Length (ft.)	Description
	Wired Remote Group Control Cable Assembly	PZCWRCG3	32	Required when grouping multiple indoor units with a single zone controller.
	Wired Remote / Group Control Extension Cable	PZCWRC1	32	Increases the distance between a remote controller and an indoor unit, or between indoor units in a control group.

Before specifying or placing an order, refer to the V-Net Network Solutions Engineering Product Data Book, and review the detailed technical data provided to fully understand the capabilities and limitations of these devices.

For information on controller capabilities, refer to the Controls and Options Table on page 12.




Table 6: Summary Data—Specialty Application Devices.

Specialty Application Device	Name	Model No.	Connects to	Application	Binary Signals Input / Output	Description
	Dry Contact Unit 24 VAC	PQDSB1	Indoor Unit	ON / OFF, Run Status, Error Status	1 / 2	Enables the indoor unit to be controlled and monitored by third-party controls using binary inputs and outputs.
	Dry Contact Unit for Setback	PQDSBC		ON / OFF, Mode, Controller Lock, Power Save, Run Status, Error Status	2 / 2	
	Dry Contact Unit for Thermostat	PQDSBNGCM1		ON / OFF, Thermo ON / OFF, Mode, Fan Speed, Run Status, Error Status	—	Enables the indoor unit to be controlled and monitored by a third-party thermostat or controller.
	PI-485 V-net Control Integration Board	PMNFP14A1	Outdoor Unit	—	—	Control integration to LG V-net controls (AC Smart Premium, ACP, BACnet, LonWorks, etc.)
	Power Distribution Indicator (PDI) Premium	PQNUD1S41	Comm. BUS	Energy Consumption Monitoring	8 / 0	Monitors total outdoor unit power consumption for up to eight systems, and distributes per indoor unit based on weighted calculation.

Before specifying or placing an order, refer to the V-Net Network Solutions Engineering Product Data Book, and review the detailed technical data provided to fully understand the capabilities and limitations of these devices.

For information on controller capabilities, refer to the Controls and Options Table on page 12.



Table 7: Summary Data—Central Controllers (Connect to the Outdoor Unit Through the PI-485 Board (accessory, sold separately)).

Central Controller	Name	Model No.	Devices per Controller	Systems per Comm. BUS	Devices per Comm. BUS	No. of Comm. BUS ports	Binary Signals Input / Output	Power / Connection	Description
	AC Smart Premium	PQCSW421E0A	128	16	128	1	2 DI / 2 DO	24 VAC	Provides for scheduling, auto-changeover, setback, remote controller lock, setpoint range limit, run time limit, web access, email alarm notification, visual floorplan navigation, peak/demand control, software device interlocking, PDI integration, and AC Manager Plus integration advanced functionality in addition to basic unit control and monitoring.
	AC Ez	PQCSZ250S0	32	16	256	1	—	12 VDC / Outdoor Unit	Provides for scheduling in addition to basic indoor unit control and monitoring.
	Advanced Control Platform (ACP) Standard	PQCPC22N1	256	16	64 (128 with PDI Premium)	4	2 / 2	24 VAC	Provides for scheduling, remote controller lock, setpoint range limit, web access, peak / demand control, PDI integration, and AC Manager Plus integration advanced functionality in addition to basic unit control and monitoring.
	Advanced Control Platform (ACP) Premium	PQCPC22A1	256	16	64 (128 with PDI Premium)		10 / 4	24 VAC	

Before specifying or placing an order, refer to the V-Net Network Solutions Engineering Product Data Book, and review the detailed technical data provided to fully understand the capabilities and limitations of these devices.

For information on controller capabilities, refer to the Controls and Options Table on page 12.

Table 8: Summary Data—Integration Solutions (Connect to Outdoor Unit Through the PI-485 Board (accessory, sold separately)).

Central Controller	Name	Model No.	Devices per Controller	Systems per Comm. BUS	Devices per Comm. BUS	No. of Comm. BUS ports	Binary Signals Input / Output	Power / Connection	Description
	BACnet® Gateway	PQNFB17C1	256	16	64 (128 with PDI Premium)	4	2 / 2	24 VAC	Allow integration of LG equipment for control and monitoring by open protocol BACnet and LonWorks building automation and controls systems.
	LonWorks® Gateway	PLNWKB100	64	16	64 (128 with PDI Premium)	1	2 / 2	24 VAC	

Before specifying or placing an order, refer to the V-Net Network Solutions Engineering Product Data Book, and review the detailed technical data provided to fully understand the capabilities and limitations of these devices.

For information on controller capabilities, refer to the Controls and Options Table on page 12.

CONTROLS AND OPTIONS OVERVIEW

MULTI F
MULTI F MAX

Multi F and Multi F MAX Indoor Unit Engineering Manual

Table 9: Indoor Units—Functions, Controls and Options.

Indoor Unit Type		ART COOL™ Mirror Wall Mounted	ART COOL™ Gallery	Standard Wall Mounted	Ceiling Concealed (Low Static) Ducted	Ceiling Concealed (High Static) Ducted	Four-Way Ceiling Cassette	Vertical- Horizontal Air Handling Unit
Airflow	Air supply outlets	1	3	1	1	2	4	1
	Airflow direction (left/right)	Auto	Auto	Auto				
	Airflow direction (up/down)	Auto	Auto	Auto			Auto	
	Auto swing (left/right)	√	√	√				
	Auto swing (up/down)	√	√	√			√	
	Airflow steps (fan/cool/heat)	6 / 6 / 5	5 / 5 / 4	6 / 6 / 5	3 / 3 / 3	3 / 3 / 3	4 / 5 / 4	3 / 3 / 3
	Chaos wind (random fan speed)	√	√	√			√	
	Jet-cool	√	√	√			√	
	Swirl wind						√	
Filter	Washable anti-fungal ¹	√	√	√	√	√	√	
	Plasma ²	√		√			o ³	
	3M HAF ²			√				
	Ventilation						√ ⁴	
Operation	Drain pump				√	√	√	
	E.S.P. control				√	√		√
	Electric heater							o
	High ceiling						√	
	Hot Start	√	√	√	√	√	√	√
	Self diagnostics	√	√	√	√	√	√	√
	Soft Dry (dehumidification)	√	√	√	√	√	√	√
	Auto operation	√	√	√	√	√	√	√
	Auto clean (coil dry)	√	√	√				
	Auto restart	√	√	√	√	√	√	√
	Child lock	o	o	o	o	o	o	o
	Forced operation	√	√	√			√	
	Group control – Requires the use of one Group control Cable Kit (PZCWRG3) for every additional indoor unit	o	o	o	o	o	o	o
	Sleep mode	√	√	√	√	√	√	√
	Timer (on/off)	√	√	√	√	√	√	√
	Weekly schedule	o	o	o	√	√	o	√
Two thermistor control	o	o	o	o	o	o	o	
Controllers	7-Day programmable controller	o	o	o	o	o	o	o
	Simple wired remote controller	o	o	o	√	√	o	√
	Wireless LCD remote control	√	√	√	o ⁵	o ⁵	√	o ⁵
	Dry contact	o	o	o	o	o	o	o
	Dry contact (temperature setting)	o	o	o	o	o	o	o
	Central control (LGAP)	√	√	√	√	√	√	√
	Connector for Water Sensor	√	√	√				

¹Primary washable filters.

²Secondary filter (plasma: HVT wall-mount and cassette; 3M: HSV4)

³Branch location and static pressure requirements. Requires PTPKQ0 Plasma kit.

⁴Requires ventilation kit PTVK430 (Temperature, humidity, and volume limitations apply).

⁵Requires wired zone controller.

√ = Standard feature

o = Unit option

Table 10: Multi F MAX Outdoor Unit Accessories Overview.




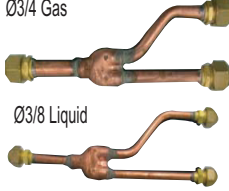
Multi F MAX Accessory	Name	Model No.	Description
	Two-Port Branch Distribution Unit	PMBD3620	Distributes refrigerant from Multi F MAX outdoor unit from one (1) to two (2) indoor units (maximum 24,000 Btu/h for each port).
	Three-Port Branch Distribution Unit	PMBD3630	Distributes refrigerant from Multi F MAX outdoor unit from one (1) to three (3) indoor units (maximum 24,000 Btu/h for each port).
	Four-Port Branch Distribution Unit	PMBD3640	Distributes refrigerant from Multi F MAX outdoor unit from one (1) to four (4) indoor units (maximum 24,000 Btu/h for each port).
		PMBD3641	Distributes refrigerant from Multi F MAX outdoor unit from one (1) to four (4) indoor units (maximum 24,000 Btu/h for ports A,B,C; maximum 36,000 Btu/h for D port).
<p>Ø3/4 Gas</p>  <p>Ø3/8 Liquid</p>	Y-branch Kit	PMBL5620	Y-branch Kit for Multi F MAX outdoor unit to connect up to two (2) branch distribution units.

Table 11: Indoor Unit Accessories Overview.

Model No.	Description
<i>For Four-Way Ceiling-Cassette Indoor Units</i>	
PT-UQC	Ceiling Grille
PTPKQ0	Plasma Kit
PTVK430	Ventilation Kit
<i>For Vertical-Horizontal Air Handling Units</i>	
ANEH053B1	5 kW Electric Heater
ANEH103B2	10 kW Electric Heater
<i>For Ceiling-Concealed Duct (High Static) Indoor Units</i>	
ZFBXBG01A	High Efficiency Filter Box
ZFBXD201A	Dynamic V8 2VL Low Profile Air Cleaner
ZPLMV201A	Dynamic 2VL Air Cleaner Low Profile Return Air Plenum
ZFBXD402A	Dynamic V8 4VL Low Profile Air Cleaner
ZPLMV402A	Dynamic 4VL Air Cleaner Low Profile Return Air Plenum
ZFLT1301A	4-Pack Dynamic V8 VL Air Cleaner Replacement Filter Pads
ZFLT1302A	24-Pack Dynamic V8 VL Air Cleaner Replacement Filter Pads
ZGRLRA01A	Dynamic V8 Air Cleaner Louvered Return Air Grille (one per plenum)
ZGRLRA02A	Dynamic V8 Air Cleaner Egg Crate Return Air Grille (one per plenum)

MULTI F OUTDOOR UNIT DATA

“Product Features and Benefits” on page 16

“Mechanical Specifications” on page 17

“General Data” on page 18

“Dimensions” on page 20

“Rated Cooling Combination Tables” on page 23

“Rated Heating Combination Tables” on page 31

“Cooling Capacity Tables” on page 39

“Heating Capacity Tables” on page 183

“Electrical Data” on page 279

“Acoustic Data” on page 279

“Refrigerant Flow Diagrams” on page 280

“Wiring Diagrams” on page 283

“Operation Range” on page 286

MULTI F SYSTEMS

Features and Benefits

MULTI F
MULTI F MAX

The multiple piping of Multi F systems can support two, three or four indoor units that are typically mounted in separate rooms. Compact refrigerant pipes work in tandem with wiring to link the outdoor unit with all indoor units directly. Most indoor units include its own remote control, allowing the user to set the temperature individually in different rooms. The indoor units are available in a variety of capacities and styles, including Art Cool™ Mirror and Gallery Wall Mounts, Standard Wall Mount, Four-Way Ceiling Cassette, Horizontal Ceiling Concealed Duct, and Vertical-Horizontal Air Handling models.

Features

- Defrost
- Restart delay (three [3] minutes)
- Self diagnosis
- Soft start
- Inverter (Variable speed compressor)
- Low ambient operation to 14°F (DB, Cooling mode)
- Optional low ambient baffle kit allows cooling operation down to -4°F (DB)
- Heating operation down to -4°F (WB)
- Auto operation / auto restart operation
- Gold Fin™ anti-corrosion
- Outdoor unit includes sufficient refrigerant for charging two (2), three (3), or four (4) indoor units using 24.6 feet of pipe to each

Benefits

- Long refrigerant piping lengths allow for extra design flexibility in indoor unit placement
- Easy installation: Little to no ductwork required; most indoor units can mount on any wall
- Indoor unit and outdoor unit dimensions ensure space saving convenience
- All-season use—heat pump models have both cooling and heating capabilities



Figure 1: Dual-Zone Multi F Heat Pump Inverter System — Mix and match for 9,000-24,000 Btu/h.



Figure 2: Tri-Zone Multi F Heat Pump Inverter System — Mix and match for 12,000-33,000 Btu/h.



Figure 3: Quad-Zone Multi F Heat Pump Inverter System — Mix and match for 18,000-48,000 Btu/h.

Multi F Heat Pump Condensing Units

General

A Multi F multi-zone system is comprised of one heat pump outdoor unit connected to two, three, or four indoor units using a shared refrigerant piping circuit between the outdoor unit and each indoor unit, and includes integrated controls supplied by LG. The outdoor unit is internally assembled, wired, and piped from the factory; all LG components are manufactured in a facility registered to ISO 9001 and ISO 14001, set by the International Organization for Standardization (ISO). The LG Multi F multi zone heat pump system components comply with Underwriters Laboratories (UL) 1995 Heating and Cooling Equipment Standard for Safety, and bear the Electrical Testing Laboratories (ETL) mark. The units are certified to AHRI 210 / 240.

Temperature Ranges

The heat pump outdoor units are capable of operating in cooling mode from 14°F to +118°F ambient dry bulb (installing an optional Low Ambient Wind Baffle Kit will allow operation down to -4°F in cooling mode for all Multi F systems). The heat pump outdoor units are capable of operating in heating mode from -4°F to +64°F ambient wet bulb without additional low ambient controls.

Frame

The Multi F condensing unit case is constructed from pre-coated metal that has been tested in accordance with ASTM B-117 salt spray procedure for a minimum of 1,000 hours. Case has a removable front panel to allow access to major components and control devices, and legs to secure the unit during installation.

Refrigerant System

Multi F systems have a shared refrigerant circuit field piped to multiple (ducted, non-ducted or mixed) indoor units to effectively and efficiently control the heating or cooling operation of the multi zone system. All refrigerant lines from the outdoor unit to the indoor units are field-installed and must be insulated separately.

All Multi F systems use R410A refrigerant. The outdoor units are equipped with a refrigerant strainer, check valves, oil separator, accumulator, four-way reversing valve, electronic expansion valve(s) (EEV), high side and low side refrigerant charging ports, and a service port. Each outdoor unit also includes sensors for suction temperature, discharge temperature, high-pressure, low-pressure, heat exchanger temperature, and outdoor temperature conditions.

Refrigeration Oil Control

The outdoor units have an oil separator to separate oil mixed with the refrigerant gas during compression and return oil to the compressor. The outdoor units also have an oil injection mechanism to ensure a consistent film of oil on all moving compressor parts at low speed.

Compressor

Multi F condensing units are equipped with one hermetically sealed, digitally controlled, inverter driven twin-rotary compressor that

Figure 4: Multi F LMU18CHV and LMU24CHV Outdoor Units.



Figure 5: Multi F LMU36CHV Outdoor Unit.



includes Teflon™ coated bearings. The inverter motor is capable of providing a modulation range of 20Hz to 100Hz with control in 1Hz increments. The compressor is protected with phase-reversal protection, uses a factory-charge of Polyvinyl Ether (PVE) oil, and is mounted to avoid the transmission of vibration.

Fan and Motors

Each outdoor unit includes one direct drive variable speed propeller fan with Brushless Digitally Controlled (BLDC) motor with a horizontal air discharge. Fan blades are statically and dynamically balanced propeller fans made of durable Acrylonitrile Butadiene Styrene (ABS) plastic, and include a raised fan guard to limit contact with moving parts. The motors have inherent overload protection, permanently lubricated bearings, and a maximum speed up to 950 rpm. All Multi F outdoor units have a horizontal discharge airflow.

Outdoor Unit Coil

The outdoor unit coils are factory-built of aluminum fins mechanically bonded on copper tubing. Coils have a minimum of two rows, a minimum of 14 fins per inch, and have been factory pressure-tested. Coil fins also have a factory applied corrosion-resistant GoldFin™ material with hydrophilic coating that has been tested in accordance with ASTM B-117 salt spray test procedure for a minimum of 1,000 hours.

Electrical

All Multi F outdoor units shall have 208/230V, 1 phase, 60Hz electrical power capable of operating within ±10% of the rated voltage.

Controls

Factory installed microprocessor controls in the outdoor unit and indoor units shall perform functions to efficiently operate the multi-zone system. System wiring must be installed in a tree configuration from outdoor unit to indoor units through four conductor power/transmission cable. The system is capable of performing continuous operation, even when power is turned off to an individual indoor unit.

MULTI F OUTDOOR UNIT

General Data

MULTI F
MULTI F MAX

Table 12: Multi F Outdoor Unit Specifications.

Model Number	LMU18CHV	LMU24CHV	LMU36CHV
Rated Cooling Capacity (Btu/h) ¹	17,000	20,000	32,000
Rated Heating Capacity (Btu/h) ¹	22,000	24,000	36,000
Operating Range			
Cooling (°F DB)	14 ⁶ - 118	14 ⁶ - 118	14 ⁶ - 118
Heating (°F WB)	-4 - 64	-4 - 64	-4 - 64
Compressor			
Inverter Quantity	Twin Rotary x 1	Twin Rotary x 1	Twin Rotary x 1
Oil/Type	FVC68D	FVC68D	FVC68D
Fan (Side Discharge)			
Type	Propeller	Propeller	Propeller
Motor Output (W) x Qty.	85.4 x 1	85.4 x 1	124.2 x 1
Motor/Drive	Brushless Digitally Controlled / Direct		
Maximum Air Volume (CFM)	1,766	1,766	2,119
Unit Data			
Refrigerant Type	R410A	R410A	R410A
Refrigerant Control/Location	EEV/Outdoor Unit	EEV/Outdoor Unit	EEV/Outdoor Unit
Min. Number Indoor Units/System ²	2	2	2
Max. Number Indoor Units/System ²	2	3	4
Maximum Allowable Total Indoor Unit Connected Capacity (Btu/h)	24,000	33,000	48,000
Sound Pressure (Cooling / Heating) dB(A) ³	49 / 52	49 / 52	52 / 55
Net Unit Weight (lbs.)	100	100	137
Shipping Weight (lbs.)	108	108	148
Power Wiring ⁴ (No. x AWG)	3C x 14	3C x 12	3C x 12
Heat Exchanger			
Material and Fin Coating	Copper Tube/Aluminum Fin and GoldFin™/Hydrophilic		
Rows/Columns/Fins per inch x Qty.	(2 x 28 x 14) x 1	(2 x 28 x 14) x 1	(2 x 38 x 14) x 1
Piping			
Liquid Line Connection (in., OD) x Qty.	1/4 x 2	1/4 x 3	1/4 x 4
Vapor Line Connection (in., OD) x Qty.	3/8 x 2	3/8 x 3	3/8 x 4
Factory Charge lbs. of R410A	3.96	3.96	6.18
Piping Lengths			
Maximum Total Piping (ft.) ⁵	164.0	246.1	246.1
Maximum Outdoor Unit to Indoor Unit Piping (ft)	82.0	82.0	82.0
Piping Length (No Additional Refrigerant [ft])	49.2	73.8	98.4
Maximum Elevation between Outdoor Unit and Indoor Unit (ft.)	49.2	49.2	49.2
Maximum Elevation between Indoor Unit and Indoor Unit (ft.)	24.6	24.6	24.6

¹Rated capacity applied with non-ducted indoor units, and is rated 0 ft. above sea level with 25 ft. of refrigerant line per indoor unit and a 0 ft. level difference between outdoor and indoor units. All capacities are net with a combination ratio between 95 – 105%.

Rated cooling capacity obtained with air entering the indoor unit at 80°F dry bulb (DB) and 67°F wet bulb (WB) and outdoor ambient conditions of 95°F dry bulb (DB) and 75°F wet bulb (WB).
Rated heating capacity obtained with air entering the indoor unit at 70°F dry bulb (DB) and 60°F wet bulb (WB) and outdoor ambient conditions of 47°F dry bulb (DB) and 43°F wet bulb (WB).

²At least two indoor units should be connected. For allocated capacity information, see the combination tables on pages 23 to 38.

³Sound pressure levels are tested in an anechoic chamber under ISO Standard 3745 and are the same in both cooling and heating mode. These values can increase due to ambient conditions during operation.

⁴All power wiring minimum 3-conductor, stranded, shielded, and must comply with applicable local and national codes. For detailed electrical information, please refer to electric characteristics on page 279.

⁵Piping lengths are equivalent.

⁶Installation of an optional Low Ambient Wind Baffle Kit will allow operation down to -4°F in cooling mode.

Table 13: LMU18CHV Efficiency Ratings.^{1,2}

System	Combined With	Rated Cooling Capacity (Btu/h)	EER (95°F)	SEER	Rated Heating Capacity (Btu/h)	COP (47°F)	HSPF	Low Heating Capacity (Btu/h)	COP (17°F)
LMU18CHV	Non-Ducted Indoor Units	17,000	13.0	22.0	22,000	3.2	9.7	13,500	2.4
	Ducted Indoor Units	14,000	10.7	17.2	19,800	2.9	9.7	13,000	2.4
	Mixed Non-Ducted and Ducted Indoor Units	15,500	11.8	19.6	20,900	3.0	9.7	13,250	2.4

Table 14: LMU24CHV Efficiency Ratings.^{1,2}

System	Combined With	Rated Cooling Capacity (Btu/h)	EER (95°F)	SEER	Rated Heating Capacity (Btu/h)	COP (47°F)	HSPF	Low Heating Capacity (Btu/h)	COP (17°F)
LMU24CHV	Non-Ducted Indoor Units	20,000	13.5	21.7	24,000	3.9	10.6	14,500	2.7
	Ducted Indoor Units	17,800	11.5	17.5	22,500	3.4	9.8	14,000	2.5
	Mixed Non-Ducted and Ducted Indoor Units	18,900	12.5	19.6	23,250	3.7	10.2	14,250	2.6

Table 15: LMU36CHV Efficiency Ratings.^{1,2}

System	Combined With	Rated Cooling Capacity (Btu/h)	EER (95°F)	SEER	Rated Heating Capacity (Btu/h)	COP (47°F)	HSPF	Low Heating Capacity (Btu/h)	COP (17°F)
LMU36CHV	Non-Ducted Indoor Units	32,000	13.0	22.0	36,000	3.9	10.0	20,000	2.6
	Ducted Indoor Units	28,000	11.0	18.2	34,000	3.5	9.7	19,500	2.4
	Mixed Non-Ducted and Ducted Indoor Units	30,000	12.0	20.1	35,000	3.7	9.9	19,750	2.5

¹Rated capacity is rated 0 ft. above sea level with 25 ft. of refrigerant line per indoor unit and a 0 ft. level difference between outdoor and indoor units. All capacities are net with a combination ratio between 95 – 105%.

Rated cooling capacity rating obtained with air entering the indoor unit at 80°F dry bulb (DB) and 67°F wet bulb (WB) and outdoor ambient conditions of 95°F dry bulb (DB) and 75°F wet bulb (WB).

Rated heating capacity rating obtained with air entering the indoor unit at 70°F dry bulb (DB) and 60°F wet bulb (WB) and outdoor ambient conditions of 47°F dry bulb (DB) and 43°F wet bulb (WB).

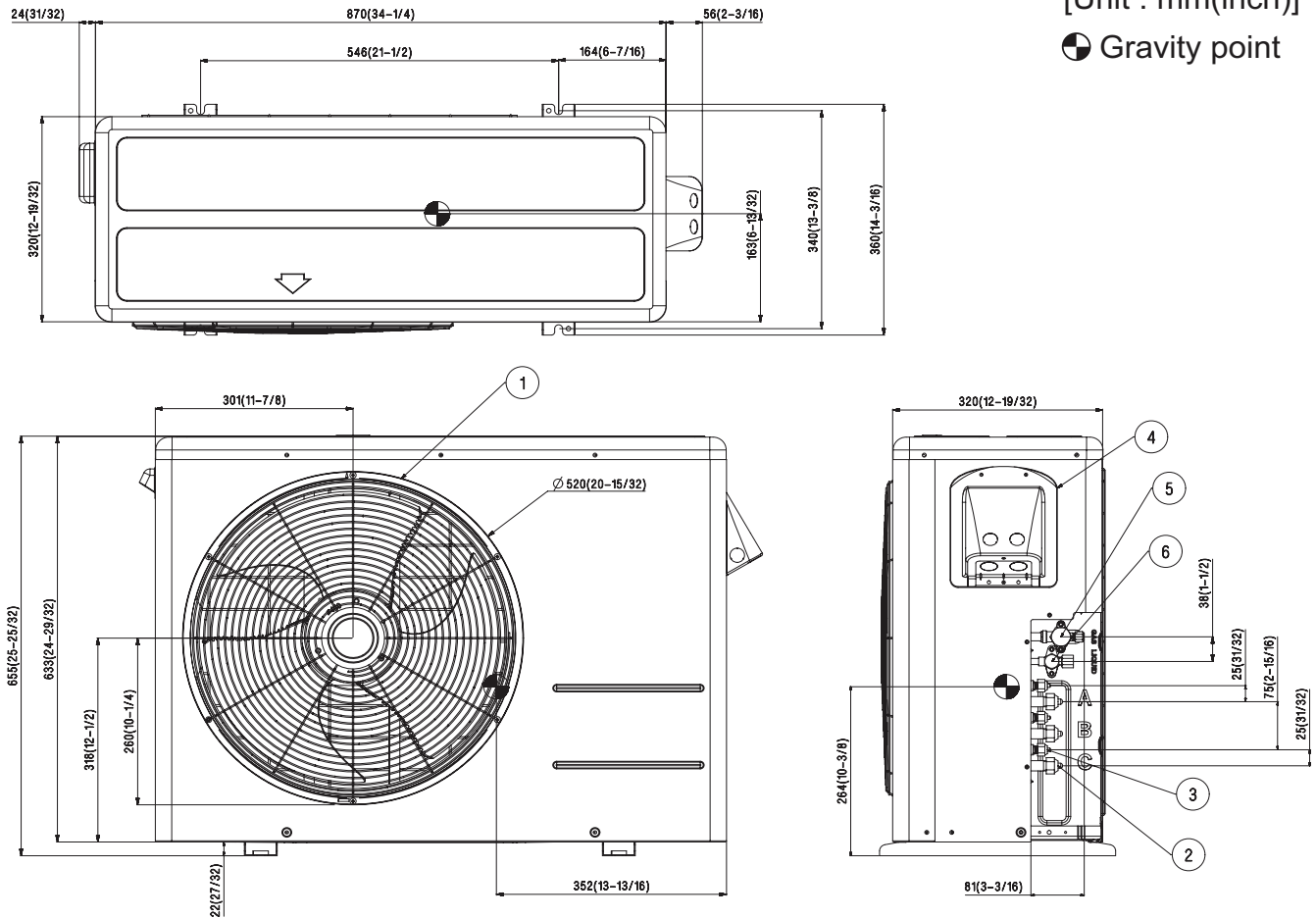
²Rated capacity is certified under AHRI Standard 210 / 240. EER, IEER, COP, and HSPF are subject to change. See www.ahrinet.org for the latest values.

MULTI F OUTDOOR UNIT

Dimensions

MULTI F
MULTI F MAX

Figure 6: LMU18CHV External Dimensions.

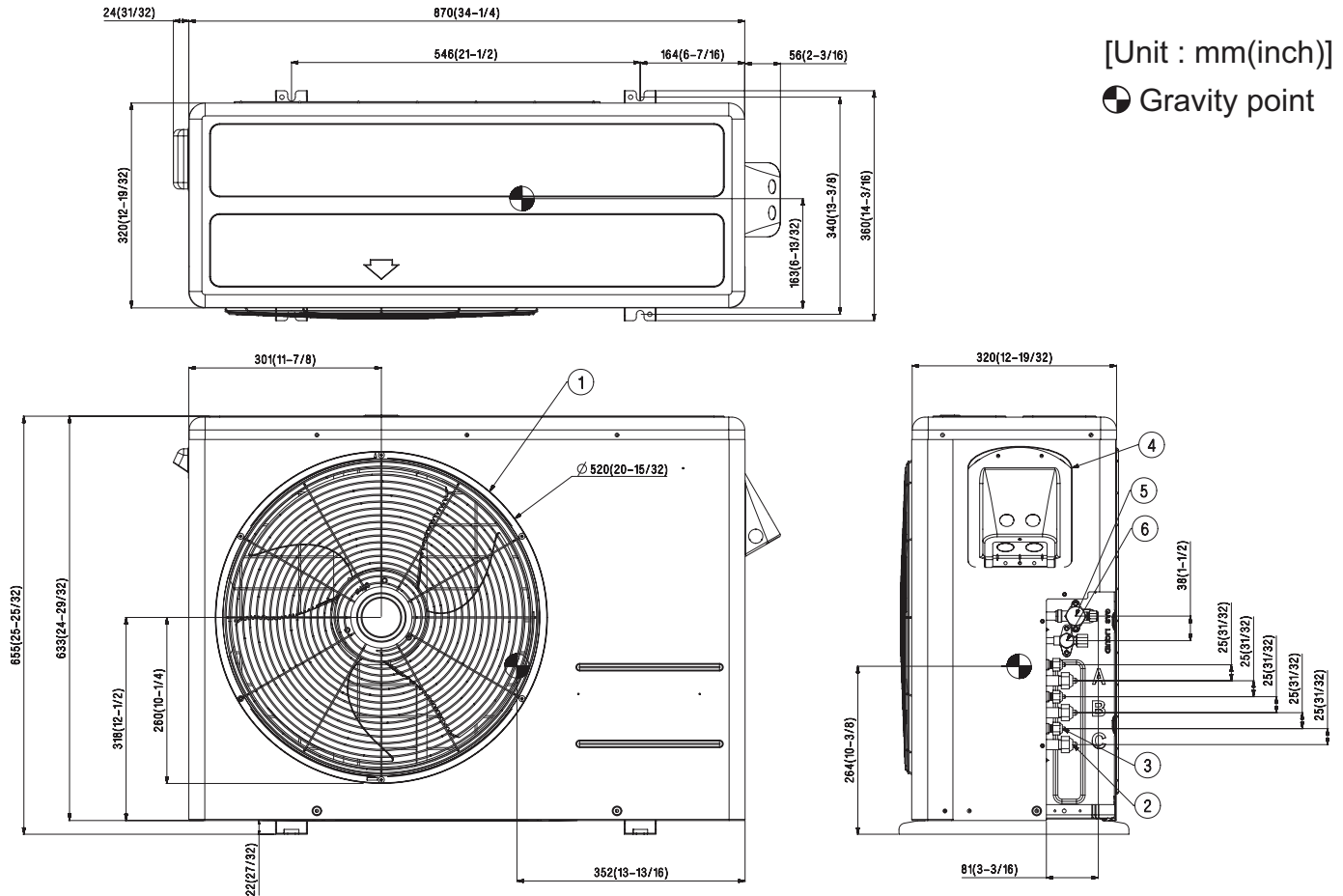


No.	Part Name
1	Air discharge grille
2	Gas pipe connection
3	Liquid pipe connection
4	Power & transmission connection
5	Main service valve(Gas)
6	Main service valve(Liquid)

■ Note

1. Unit should be installed in compliance with the installation manual in the product box.
2. Unit should be grounded in accordance with the local regulations or applicable national codes.
3. All electrical components and materials to be supplied on the site must comply with the local regulations or international codes.
4. Electrical characteristics chapter should be considered for electrical work and design. Especially the capacity of power cable and circuit breaker for outdoor unit should be more than that of electrical characteristics chapter.

Figure 7: LMU24CHV External Dimensions.



No.	Part Name
1	Air discharge grille
2	Gas pipe connection
3	Liquid pipe connection
4	Power & transmission connection
5	Main service valve(Gas)
6	Main service valve(Liquid)

■ Note

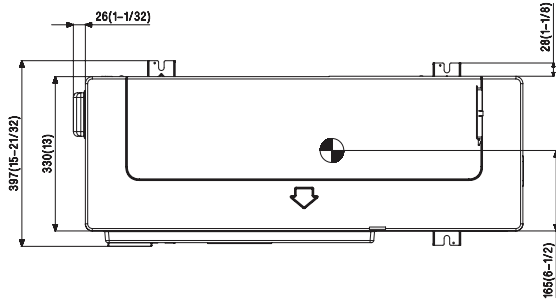
- Unit should be installed in compliance with the installation manual in the product box.
- Unit should be grounded in accordance with the local regulations or applicable national codes.
- All electrical components and materials to be supplied on the site must comply with the local regulations or international codes.
- Electrical characteristics chapter should be considered for electrical work and design. Especially the capacity of power cable and circuit breaker for outdoor unit should be more than that of electrical characteristics chapter.

MULTI F OUTDOOR UNIT

Dimensions

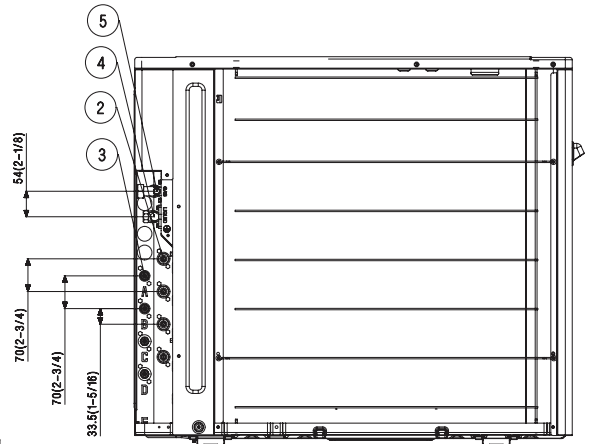
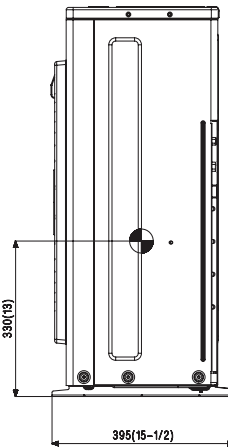
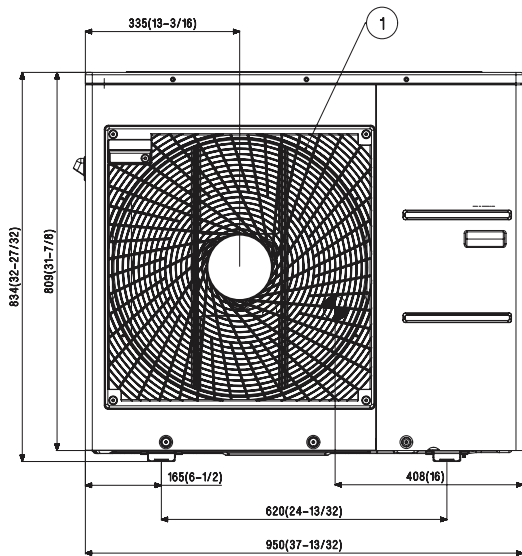
MULTI F
MULTI F MAX

Figure 8: LMU36CHV External Dimensions.



[Unit : mm(inch)]

● Gravity point



No.	Part Name
1	Air discharge grille
2	Gas pipe connection
3	Liquid pipe connection
4	Main service valve(Liquid)
5	Main service valve(Gas)

Note

- Unit should be installed in compliance with the installation manual in the product box.
- Unit should be grounded in accordance with the local regulations or applicable national codes.
- All electrical components and materials to be supplied on the site must comply with the local regulations or international codes.
- Electrical characteristics chapter should be considered for electrical work and design. Especially the capacity of power cable and circuit breaker for outdoor unit should be more than that of electrical characteristics chapter.

Table 16: LMU18CHV with Non-Ducted, Ducted, and Mixed Indoor Units — Rated Cooling Combination Table.

No. of Indoor Units	Indoor Unit Combination (kBtu/h)					Room Capacity				Total Capacity						Input (W)			EER	SEER
	IDU 1	IDU 2	IDU 3	IDU 4	Total	Unit 1 (Btu/h)	Unit 2 (Btu/h)	Unit 3 (Btu/h)	Unit 4 (Btu/h)	Minimum		Rated		Maximum		Min.	Rated	Max.		
										Btu/h	kW	Btu/h	kW	Btu/h	kW					
Non-Ducted Indoor Units																				
Two Units	7	7	-	-	14	7,000	7,000	-	-	8,400	2.46	14,000	4.10	16,800	4.92	826	1,180	1,652	11.9	20.1
	7	9	-	-	16	7,000	9,000	-	-	9,600	2.81	16,000	4.69	19,000	5.57	868	1,240	1,736	12.9	21.9
	9	9	-	-	18	8,500	8,500	-	-	10,200	3.16	17,000	4.98	19,000	5.57	917	1,310	1,834	13.0	22.0
	7	12	-	-	19	6,263	10,737	-	-	10,200	2.99	17,000	4.98	19,000	5.57	917	1,310	1,834	13.0	22.0
	9	12	-	-	21	7,286	9,714	-	-	10,200	3.16	17,000	4.98	19,000	5.57	917	1,310	1,834	13.0	22.0
	7	15	-	-	22	5,409	11,591	-	-	10,200	2.99	17,000	4.98	19,000	5.57	917	1,310	1,834	13.0	22.0
	9	15	-	-	24	6,375	10,625	-	-	10,200	2.99	17,000	4.98	19,000	5.57	917	1,310	1,834	13.0	22.0
12	12	-	-	24	8,500	8,500	-	-	10,200	3.16	17,000	4.98	19,000	5.57	917	1,310	1,834	13.0	22.0	
Ducted Indoor Units																				
Two Units	9	9	-	-	18	7,000	7,000	-	-	8,400	3.16	14,000	4.10	19,000	5.57	916	1,308	1,831	10.7	17.2
	9	12	-	-	21	6,000	8,000	-	-	8,400	3.16	14,000	4.10	19,000	5.57	916	1,308	1,831	10.7	17.2
	12	12	-	-	24	7,000	7,000	-	-	8,400	3.16	14,000	4.10	19,000	5.57	916	1,308	1,831	10.7	17.2
Mixed Indoor Units																				
Two Units	7	9	-	-	16	6,382	8,206	-	-	8,753	2.57	14,588	4.28	19,000	5.57	867	1,239	1,735	11.8	19.5
	9	9	-	-	18	7,750	7,750	-	-	9,300	3.16	15,500	4.54	19,000	5.57	916	1,309	1,833	11.8	19.6
	7	12	-	-	19	5,711	9,789	-	-	9,300	2.73	15,500	4.54	19,000	5.57	916	1,309	1,833	11.8	19.6
	9	12	-	-	21	6,643	8,857	-	-	9,300	3.16	15,500	4.54	19,000	5.57	916	1,309	1,833	11.8	19.6
	9	15	-	-	24	5,813	9,688	-	-	9,300	2.73	15,500	4.54	19,000	5.57	916	1,309	1,833	11.8	19.6
	12	12	-	-	24	7,750	7,750	-	-	9,300	3.16	15,500	4.54	19,000	5.57	916	1,309	1,833	11.8	19.6

¹Capacity as rated: 0 ft. above sea level with 25 ft. of refrigerant piping.
0 ft. level difference between outdoor and indoor units.

²Cooling capacity rating obtained with air entering the indoor unit at 80°F dry bulb (DB) and 67°F wet bulb (WB), and outdoor ambient conditions of 95°F dry bulb (DB) and 75°F wet bulb (WB).

³Wiring cable size must comply with the applicable local and national codes.

⁴The specification may be subject to change without prior notice for purpose of improvement.

⁵At least two indoor units should be connected.

PERFORMANCE DATA

Rated Cooling Combination Tables

MULTI F
MULTI F MAX

Table 17: LMU24CHV with Non-Ducted and Ducted Indoor Units — Rated Cooling Combination Table.

No. of Indoor Units	Indoor Unit Combination (kBtu/h)					Room Capacity				Total Capacity						Input (W)			EER	SEER
	IDU 1	IDU 2	IDU 3	IDU 4	Total	Unit 1 (Btu/h)	Unit 2 (Btu/h)	Unit 3 (Btu/h)	Unit 4 (Btu/h)	Minimum		Rated		Maximum		Min.	Rated	Max.		
										Btu/h	kW	Btu/h	kW	Btu/h	kW					
Non-Ducted Indoor Units																				
Two Units	7	7	-	-	14	7,000	7,000	-	-	8,400	2.46	14,000	4.10	16,800	4.92	798	1,140	1,596	12.3	19.7
	7	9	-	-	16	7,000	9,000	-	-	9,600	2.81	16,000	4.69	19,200	5.63	903	1,290	1,806	12.4	19.9
	9	9	-	-	18	9,000	9,000	-	-	10,800	3.17	18,000	5.28	21,600	6.33	1,008	1,440	2,016	12.5	20.1
	7	12	-	-	19	7,000	12,000	-	-	11,400	3.34	19,000	5.57	22,800	6.68	1,057	1,510	2,114	12.6	20.2
	9	12	-	-	21	8,571	11,429	-	-	12,000	3.52	20,000	5.86	24,000	7.03	1,106	1,580	2,212	12.7	20.3
	7	15	-	-	22	6,364	13,636	-	-	12,000	3.52	20,000	5.86	24,000	7.03	1,106	1,580	2,212	12.7	20.3
	9	15	-	-	24	7,500	12,500	-	-	12,000	3.52	20,000	5.86	24,000	7.03	1,106	1,580	2,212	12.7	20.3
	12	12	-	-	24	10,000	10,000	-	-	12,000	3.52	20,000	5.86	24,000	7.03	1,106	1,580	2,212	12.7	20.3
	7	18	-	-	25	5,600	14,400	-	-	12,000	3.52	20,000	5.86	24,000	7.03	1,106	1,580	2,212	12.7	20.3
	9	18	-	-	27	6,667	13,333	-	-	12,000	3.52	20,000	5.86	24,000	7.03	1,106	1,580	2,212	12.7	20.3
	12	15	-	-	27	8,889	11,111	-	-	12,000	3.52	20,000	5.86	24,000	7.03	1,106	1,580	2,212	12.7	20.3
	12	18	-	-	30	8,000	12,000	-	-	12,000	3.52	20,000	5.86	24,000	7.03	1,106	1,580	2,212	12.7	20.3
	15	15	-	-	30	10,000	10,000	-	-	12,000	3.52	20,000	5.86	24,000	7.03	1,106	1,580	2,212	12.7	20.3
	7	24	-	-	31	4,516	15,484	-	-	12,000	3.52	20,000	5.86	24,000	7.03	1,106	1,580	2,212	12.7	20.3
9	24	-	-	33	5,455	14,545	-	-	12,000	3.52	20,000	5.86	24,000	7.03	1,106	1,580	2,212	12.7	20.3	
15	18	-	-	33	9,091	10,909	-	-	12,000	3.52	20,000	5.86	24,000	7.03	1,106	1,580	2,212	12.7	20.3	
Three Units	7	7	7	-	21	6,667	6,667	6,667	-	12,000	3.52	20,000	5.86	25,000	7.33	1,037	1,481	2,073	13.5	21.7
	7	7	9	-	23	6,087	6,087	7,826	-	12,000	3.52	20,000	5.86	25,000	7.33	1,037	1,481	2,073	13.5	21.7
	7	9	9	-	25	5,600	7,200	7,200	-	12,000	3.52	20,000	5.86	25,000	7.33	1,037	1,481	2,073	13.5	21.7
	7	7	12	-	26	5,385	5,385	9,231	-	12,000	3.52	20,000	5.86	25,000	7.33	1,037	1,481	2,073	13.5	21.7
	9	9	9	-	27	6,667	6,667	6,667	-	12,000	3.52	20,000	5.86	25,000	7.33	1,037	1,481	2,073	13.5	21.7
	7	9	12	-	28	5,000	6,429	8,571	-	12,000	3.52	20,000	5.86	25,000	7.33	1,037	1,481	2,073	13.5	21.7
	7	7	15	-	29	4,828	4,828	10,345	-	12,000	3.52	20,000	5.86	25,000	7.33	1,037	1,481	2,073	13.5	21.7
	9	9	12	-	30	6,000	6,000	8,000	-	12,000	3.52	20,000	5.86	25,000	7.33	1,037	1,481	2,073	13.5	21.7
	7	9	15	-	31	4,516	5,806	9,677	-	12,000	3.52	20,000	5.86	25,000	7.33	1,037	1,481	2,073	13.5	21.7
	7	12	12	-	31	4,516	7,742	7,742	-	12,000	3.52	20,000	5.86	25,000	7.33	1,037	1,481	2,073	13.5	21.7
	7	7	18	-	32	4,375	4,375	11,250	-	12,000	3.52	20,000	5.86	25,000	7.33	1,037	1,481	2,073	13.5	21.7
	9	9	15	-	33	5,455	5,455	9,091	-	12,000	3.52	20,000	5.86	25,000	7.33	1,037	1,481	2,073	13.5	21.7
9	12	12	-	33	5,455	7,273	7,273	-	12,000	3.52	20,000	5.86	25,000	7.33	1,037	1,481	2,073	13.5	21.7	
Ducted Indoor Units																				
Two Units	9	9	-	-	18	8,010	8,010	-	-	9,612	2.82	16,020	4.70	19,224	5.63	1,054	1,505	2,107	10.6	16.2
	9	12	-	-	21	7,629	10,171	-	-	10,680	3.13	17,800	5.22	21,360	6.26	1,156	1,651	2,312	10.8	16.4
	12	12	-	-	24	8,900	8,900	-	-	10,680	3.13	17,800	5.22	21,360	6.26	1,156	1,651	2,312	10.8	16.4
	9	18	-	-	27	5,933	11,867	-	-	10,680	3.13	17,800	5.22	21,360	6.26	1,156	1,651	2,312	10.8	16.4
12	18	-	-	30	7,120	10,680	-	-	10,680	3.13	17,800	5.22	21,360	6.26	1,156	1,651	2,312	10.8	16.4	
Three Units	9	9	9	-	27	5,933	5,933	5,933	-	10,680	3.13	17,800	5.22	22,250	6.52	1,084	1,548	2,167	11.5	17.5
	9	9	12	-	30	5,340	5,340	7,120	-	10,680	3.13	17,800	5.22	22,250	6.52	1,084	1,548	2,167	11.5	17.5
	9	12	12	-	33	4,855	6,473	6,473	-	10,680	3.13	17,800	5.22	22,250	6.52	1,084	1,548	2,167	11.5	17.5

¹Capacity as rated: 0 ft. above sea level with 25 ft. of refrigerant piping.
0 ft. level difference between outdoor and indoor units.

²Cooling capacity rating obtained with air entering the indoor unit at 80°F dry bulb (DB) and 67°F wet bulb (WB), and outdoor ambient conditions of 95°F dry bulb (DB) and 75°F wet bulb (WB).

³Wiring cable size must comply with the applicable local and national codes.

⁴The specification may be subject to change without prior notice for purpose of improvement.

⁵At least two indoor units should be connected.



Multi F and Multi F MAX Heat Pump System Engineering Manual

Table 18: LMU24CHV with Mixed Indoor Units — Rated Cooling Combination Table.

No. of Indoor Units	Indoor Unit Combination (kBtu/h)					Room Capacity				Total Capacity						Input (W)			EER	SEER
	IDU 1	IDU 2	IDU 3	IDU 4	Total	Unit 1 (Btu/h)	Unit 2 (Btu/h)	Unit 3 (Btu/h)	Unit 4 (Btu/h)	Minimum		Rated		Maximum		Min.	Rated	Max.		
										Btu/h	kW	Btu/h	kW	Btu/h	kW					
<i>Mixed Indoor Units</i>																				
Two Units	7	9	-	-	16	6,615	8,505	-	-	9,072	2.66	15,120	4.43	18,144	5.32	923	1,319	1,847	11.5	18.0
	9	9	-	-	18	8,505	8,505	-	-	10,206	2.99	17,010	4.99	20,412	5.98	1,031	1,473	2,062	11.6	18.1
	7	12	-	-	19	6,615	11,340	-	-	10,773	3.16	17,955	5.26	21,546	6.31	1,081	1,544	2,162	11.6	18.3
	9	12	-	-	21	8,100	10,800	-	-	11,340	3.32	18,900	5.54	22,680	6.65	1,131	1,616	2,262	11.7	18.4
	9	15	-	-	24	7,088	11,813	-	-	11,340	3.32	18,900	5.54	22,680	6.65	1,131	1,616	2,262	11.7	18.4
	12	12	-	-	24	9,450	9,450	-	-	11,340	3.32	18,900	5.54	22,680	6.65	1,131	1,616	2,262	11.7	18.4
	7	18	-	-	25	5,292	13,608	-	-	11,340	3.32	18,900	5.54	22,680	6.65	1,131	1,616	2,262	11.7	18.4
	9	18	-	-	27	6,300	12,600	-	-	11,340	3.32	18,900	5.54	22,680	6.65	1,131	1,616	2,262	11.7	18.4
	12	15	-	-	27	8,400	10,500	-	-	11,340	3.32	18,900	5.54	22,680	6.65	1,131	1,616	2,262	11.7	18.4
	12	18	-	-	30	7,560	11,340	-	-	11,340	3.32	18,900	5.54	22,680	6.65	1,131	1,616	2,262	11.7	18.4
	15	18	-	-	33	8,591	10,309	-	-	11,340	3.32	18,900	5.54	22,680	6.65	1,131	1,616	2,262	11.7	18.4
9	24*	-	-	33	5,155	13,745	-	-	11,340	3.32	18,900	5.54	22,680	6.65	1,131	1,616	2,262	11.7	18.4	
Three Units	7	7	9	-	23	5,752	5,752	7,396	-	11,340	3.32	18,900	5.54	23,625	6.92	1,060	1,515	2,120	12.5	19.6
	7	9	9	-	25	5,292	6,804	6,804	-	11,340	3.32	18,900	5.54	23,625	6.92	1,060	1,515	2,120	12.5	19.6
	7	7	12	-	26	5,088	5,088	8,723	-	11,340	3.32	18,900	5.54	23,625	6.92	1,060	1,515	2,120	12.5	19.6
	9	9	9	-	27	6,300	6,300	6,300	-	11,340	3.32	18,900	5.54	23,625	6.92	1,060	1,515	2,120	12.5	19.6
	7	9	12	-	28	4,725	6,075	8,100	-	11,340	3.32	18,900	5.54	23,625	6.92	1,060	1,515	2,120	12.5	19.6
	9	9	12	-	30	5,670	5,670	7,560	-	11,340	3.32	18,900	5.54	23,625	6.92	1,060	1,515	2,120	12.5	19.6
	7	9	15	-	31	4,268	5,487	9,145	-	11,340	3.32	18,900	5.54	23,625	6.92	1,060	1,515	2,120	12.5	19.6
	7	12	12	-	31	4,268	7,316	7,316	-	11,340	3.32	18,900	5.54	23,625	6.92	1,060	1,515	2,120	12.5	19.6
	7	7	18	-	32	4,134	4,134	10,631	-	11,340	3.32	18,900	5.54	23,625	6.92	1,060	1,515	2,120	12.5	19.6
	9	9	15	-	33	5,155	5,155	8,591	-	11,340	3.32	18,900	5.54	23,625	6.92	1,060	1,515	2,120	12.5	19.6
9	12	12	-	33	5,155	6,873	6,873	-	11,340	3.32	18,900	5.54	23,625	6.92	1,060	1,515	2,120	12.5	19.6	

¹Capacity as rated: 0 ft. above sea level with 25 ft. of refrigerant piping.
0 ft. level difference between outdoor and indoor units.

²Cooling capacity rating obtained with air entering the indoor unit at 80°F dry bulb (DB) and 67°F wet bulb (WB), and outdoor ambient conditions of 95°F dry bulb (DB) and 75°F wet bulb (WB).

³Wiring cable size must comply with the applicable local and national codes.

⁴The specification may be subject to change without prior notice for purpose of improvement.

⁵At least two indoor units should be connected.

*The indoor unit must be non-ducted type.

PERFORMANCE DATA

Rated Cooling Combination Tables

MULTI F MULTI F MAX

Table 19: LMU36CHV with Non-Ducted Indoor Units — Rated Cooling Combination Table.

No. of Indoor Units	Indoor Unit Combination (kBtu/h)					Room Capacity				Total Capacity						Input (W)			EER	SEER
	IDU 1	IDU 2	IDU 3	IDU 4	Total	Unit 1 (Btu/h)	Unit 2 (Btu/h)	Unit 3 (Btu/h)	Unit 4 (Btu/h)	Minimum		Rated		Maximum		Min.	Rated	Max.		
										Btu/h	kW	Btu/h	kW	Btu/h	kW					
<i>Non-Ducted Indoor Units</i>																				
Two Units	7	7	-	-	14	7,000	7,000	-	-	8,400	2.46	14,000	4.10	15,540	4.55	952	1,360	1,904	10.3	17.4
	7	9	-	-	16	7,000	9,000	-	-	9,600	2.81	16,000	4.69	17,760	5.21	1,071	1,530	2,142	10.5	17.7
	9	9	-	-	18	9,000	9,000	-	-	10,800	3.17	18,000	5.28	19,980	5.86	1,204	1,720	2,408	10.5	17.7
	7	12	-	-	19	7,000	12,000	-	-	11,400	3.34	19,000	5.57	21,090	6.18	1,260	1,800	2,520	10.6	17.9
	9	12	-	-	21	9,000	12,000	-	-	12,600	3.69	21,000	6.15	23,310	6.83	1,379	1,970	2,758	10.7	18.0
	7	15	-	-	22	7,000	15,000	-	-	13,200	3.87	22,000	6.45	24,420	7.16	1,428	2,040	2,856	10.8	18.2
	9	15	-	-	24	9,000	15,000	-	-	14,400	4.22	24,000	7.03	26,640	7.81	1,526	2,180	3,052	11.0	18.6
	12	12	-	-	24	12,000	12,000	-	-	14,400	4.22	24,000	7.03	26,640	7.81	1,526	2,180	3,052	11.0	18.6
	7	18	-	-	25	7,000	18,000	-	-	15,000	4.40	25,000	7.33	27,750	8.13	1,582	2,260	3,164	11.1	18.7
	9	18	-	-	27	9,000	18,000	-	-	16,200	4.75	27,000	7.91	29,970	8.78	1,694	2,420	3,388	11.2	18.9
	12	15	-	-	27	12,000	15,000	-	-	16,200	4.75	27,000	7.91	29,970	8.78	1,694	2,420	3,388	11.2	18.9
	12	18	-	-	30	12,000	18,000	-	-	18,000	5.28	30,000	8.79	33,300	9.76	1,841	2,630	3,682	11.4	19.3
	15	15	-	-	30	15,000	15,000	-	-	18,000	5.28	30,000	8.79	33,300	9.76	1,841	2,630	3,682	11.4	19.3
	7	24	-	-	31	7,000	24,000	-	-	18,600	5.45	31,000	9.09	34,410	10.08	1,883	2,690	3,766	11.5	19.5
	9	24	-	-	33	8,727	23,273	-	-	19,200	5.63	32,000	9.38	35,520	10.41	1,932	2,760	3,864	11.6	19.6
	15	18	-	-	33	14,545	17,455	-	-	19,200	5.63	32,000	9.38	35,520	10.41	1,932	2,760	3,864	11.6	19.6
	18	18	-	-	36	16,000	16,000	-	-	19,200	5.63	32,000	9.38	35,520	10.41	1,932	2,760	3,864	11.6	19.6
	12	24	-	-	36	10,667	21,333	-	-	19,200	5.63	32,000	9.38	35,520	10.41	1,932	2,760	3,864	11.6	19.6
	15	24	-	-	39	12,308	19,692	-	-	19,200	5.63	32,000	9.38	35,520	10.41	1,932	2,760	3,864	11.6	19.6
	18	24	-	-	42	13,714	18,286	-	-	19,200	5.63	32,000	9.38	35,520	10.41	1,932	2,760	3,864	11.6	19.6
24	24	-	-	48	16,000	16,000	-	-	19,200	5.63	32,000	9.38	35,520	10.41	1,932	2,760	3,864	11.6	19.6	
Three Units	7	7	7	-	21	7,000	7,000	7,000	-	12,600	3.69	21,000	6.15	24,150	7.08	1,337	1,910	2,674	11.0	18.6
	7	7	9	-	23	7,000	7,000	9,000	-	13,800	4.04	23,000	6.74	26,450	7.75	1,442	2,060	2,884	11.2	18.9
	7	9	9	-	25	7,000	9,000	9,000	-	15,000	4.40	25,000	7.33	28,750	8.43	1,554	2,220	3,108	11.3	19.1
	7	7	12	-	26	7,000	7,000	12,000	-	15,600	4.57	26,000	7.62	29,900	8.76	1,582	2,260	3,164	11.5	19.5
	9	9	9	-	27	9,000	9,000	9,000	-	16,200	4.75	27,000	7.91	31,050	9.10	1,610	2,300	3,220	11.7	19.9
	7	9	12	-	28	7,000	9,000	12,000	-	16,800	4.92	28,000	8.21	32,200	9.44	1,645	2,350	3,290	11.9	20.2
	7	7	15	-	29	7,000	7,000	15,000	-	17,400	5.10	29,000	8.50	33,350	9.77	1,680	2,400	3,360	12.1	20.4
	9	9	12	-	30	9,000	9,000	12,000	-	18,000	5.28	30,000	8.79	34,500	10.11	1,722	2,460	3,444	12.2	20.6
	7	9	15	-	31	7,000	9,000	15,000	-	18,600	5.45	31,000	9.09	35,650	10.45	1,764	2,520	3,528	12.3	20.8
	7	12	12	-	31	7,000	12,000	12,000	-	18,600	5.45	31,000	9.09	35,650	10.45	1,764	2,520	3,528	12.3	20.8
	7	7	18	-	32	7,000	7,000	18,000	-	19,200	5.63	32,000	9.38	36,800	10.79	1,806	2,580	3,612	12.4	21.0
	9	9	15	-	33	8,727	8,727	14,545	-	19,200	5.63	32,000	9.38	36,800	10.79	1,806	2,580	3,612	12.4	21.0
	9	12	12	-	33	8,727	11,636	11,636	-	19,200	5.63	32,000	9.38	36,800	10.79	1,806	2,580	3,612	12.4	21.0
	7	9	18	-	34	6,588	8,471	16,941	-	19,200	5.63	32,000	9.38	36,800	10.79	1,806	2,580	3,612	12.4	21.0
	7	12	15	-	34	6,588	11,294	14,118	-	19,200	5.63	32,000	9.38	36,800	10.79	1,806	2,580	3,612	12.4	21.0
	9	9	18	-	36	8,000	8,000	16,000	-	19,200	5.63	32,000	9.38	36,800	10.79	1,806	2,580	3,612	12.4	21.0
	9	12	15	-	36	8,000	10,667	13,333	-	19,200	5.63	32,000	9.38	36,800	10.79	1,806	2,580	3,612	12.4	21.0
	12	12	12	-	36	10,667	10,667	10,667	-	19,200	5.63	32,000	9.38	36,800	10.79	1,806	2,580	3,612	12.4	21.0
	7	12	18	-	37	6,054	10,378	15,568	-	19,200	5.63	32,000	9.38	36,800	10.79	1,806	2,580	3,612	12.4	21.0
	7	15	15	-	37	6,054	12,973	12,973	-	19,200	5.63	32,000	9.38	36,800	10.79	1,806	2,580	3,612	12.4	21.0
	7	7	24	-	38	5,895	5,895	20,211	-	19,200	5.63	32,000	9.38	36,800	10.79	1,806	2,580	3,612	12.4	21.0
	9	12	18	-	39	7,385	9,846	14,769	-	19,200	5.63	32,000	9.38	36,800	10.79	1,806	2,580	3,612	12.4	21.0
	9	15	15	-	39	7,385	12,308	12,308	-	19,200	5.63	32,000	9.38	36,800	10.79	1,806	2,580	3,612	12.4	21.0
	12	12	15	-	39	9,846	9,846	12,308	-	19,200	5.63	32,000	9.38	36,800	10.79	1,806	2,580	3,612	12.4	21.0
	7	9	24	-	40	5,600	7,200	19,200	-	19,200	5.63	32,000	9.38	36,800	10.79	1,806	2,580	3,612	12.4	21.0
	7	15	18	-	40	5,600	12,000	14,400	-	19,200	5.63	32,000	9.38	36,800	10.79	1,806	2,580	3,612	12.4	21.0
9	9	24	-	42	6,857	6,857	18,286	-	19,200	5.63	32,000	9.38	36,800	10.79	1,806	2,580	3,612	12.4	21.0	
9	15	18	-	42	6,857	11,429	13,714	-	19,200	5.63	32,000	9.38	36,800	10.79	1,806	2,580	3,612	12.4	21.0	

¹Capacity as rated:

0 ft. above sea level with 25 ft. of refrigerant piping.
0 ft. level difference between outdoor and indoor units.

²Cooling capacity rating obtained with air entering the indoor unit at 80°F dry bulb (DB) and 67°F wet bulb (WB), and outdoor ambient conditions of 95°F dry bulb (DB) and 75°F wet bulb (WB).

³Wiring cable size must comply with the applicable local and national codes.

⁴The specification may be subject to change without prior notice for purpose of improvement.

⁵At least two indoor units should be connected.

Table 20: LMU36CHV with Non-Ducted Indoor Units — Rated Cooling Combination Table.

No. of Indoor Units	Indoor Unit Combination (kBtu/h)					Room Capacity				Total Capacity						Input (W)			EER	SEER	
	IDU 1	IDU 2	IDU 3	IDU 4	Total	Unit 1 (Btu/h)	Unit 2 (Btu/h)	Unit 3 (Btu/h)	Unit 4 (Btu/h)	Minimum		Rated		Maximum		Min.	Rated	Max.			
										Btu/h	kW	Btu/h	kW	Btu/h	kW						
Non-Ducted Indoor Units																					
Three Units	12	12	18	-	42	9,143	9,143	13,714	-	19,200	5.63	32,000	9.38	36,800	10.79	1,806	2,580	3,612	12.4	21.0	
	12	15	15	-	42	9,143	11,429	11,429	-	19,200	5.63	32,000	9.38	36,800	10.79	1,806	2,580	3,612	12.4	21.0	
	7	12	24	-	43	5,209	8,930	17,860	-	19,200	5.63	32,000	9.38	36,800	10.79	1,806	2,580	3,612	12.4	21.0	
	7	18	18	-	43	5,209	13,395	13,395	-	19,200	5.63	32,000	9.38	36,800	10.79	1,806	2,580	3,612	12.4	21.0	
	9	12	24	-	45	6,400	8,533	17,067	-	19,200	5.63	32,000	9.38	36,800	10.79	1,806	2,580	3,612	12.4	21.0	
	9	18	18	-	45	6,400	12,800	12,800	-	19,200	5.63	32,000	9.38	36,800	10.79	1,806	2,580	3,612	12.4	21.0	
	12	15	18	-	45	8,533	10,667	12,800	-	19,200	5.63	32,000	9.38	36,800	10.79	1,806	2,580	3,612	12.4	21.0	
	15	15	15	-	45	10,667	10,667	10,667	-	19,200	5.63	32,000	9.38	36,800	10.79	1,806	2,580	3,612	12.4	21.0	
	7	15	24	-	46	4,870	10,435	16,696	-	19,200	5.63	32,000	9.38	36,800	10.79	1,806	2,580	3,612	12.4	21.0	
	9	15	24	-	48	6,000	10,000	16,000	-	19,200	5.63	32,000	9.38	36,800	10.79	1,806	2,580	3,612	12.4	21.0	
	12	12	24	-	48	8,000	8,000	16,000	-	19,200	5.63	32,000	9.38	36,800	10.79	1,806	2,580	3,612	12.4	21.0	
	12	18	18	-	48	8,000	12,000	12,000	-	19,200	5.63	32,000	9.38	36,800	10.79	1,806	2,580	3,612	12.4	21.0	
	15	15	18	-	48	10,000	10,000	12,000	-	19,200	5.63	32,000	9.38	36,800	10.79	1,806	2,580	3,612	12.4	21.0	
	Four Units	7	7	7	7	28	7,000	7,000	7,000	7,000	16,800	4.92	28,000	8.21	33,600	9.85	1,540	2,200	3,080	12.7	21.5
		7	7	7	9	30	7,000	7,000	7,000	9,000	18,000	5.28	30,000	8.79	36,000	10.55	1,645	2,350	3,290	12.8	21.6
7		7	9	9	32	7,000	7,000	9,000	9,000	19,200	5.63	32,000	9.38	38,400	11.25	1,723	2,461	3,445	13.0	22.0	
7		7	7	12	33	6,788	6,788	6,788	11,636	19,200	5.63	32,000	9.38	38,400	11.25	1,723	2,461	3,445	13.0	22.0	
7		9	9	9	34	6,588	8,471	8,471	8,471	19,200	5.63	32,000	9.38	38,400	11.25	1,723	2,461	3,445	13.0	22.0	
7		7	9	12	35	6,400	6,400	8,229	10,971	19,200	5.63	32,000	9.38	38,400	11.25	1,723	2,461	3,445	13.0	22.0	
7		7	7	15	36	6,222	6,222	6,222	13,333	19,200	5.63	32,000	9.38	38,400	11.25	1,723	2,461	3,445	13.0	22.0	
9		9	9	9	36	8,000	8,000	8,000	8,000	19,200	5.63	32,000	9.38	38,400	11.25	1,723	2,461	3,445	13.0	22.0	
7		9	9	12	37	6,054	7,784	7,784	10,378	19,200	5.63	32,000	9.38	38,400	11.25	1,723	2,461	3,445	13.0	22.0	
7		7	9	15	38	5,895	5,895	7,579	12,632	19,200	5.63	32,000	9.38	38,400	11.25	1,723	2,461	3,445	13.0	22.0	
7		7	12	12	38	5,895	5,895	10,105	10,105	19,200	5.63	32,000	9.38	38,400	11.25	1,723	2,461	3,445	13.0	22.0	
7		7	7	18	39	5,744	5,744	5,744	14,769	19,200	5.63	32,000	9.38	38,400	11.25	1,723	2,461	3,445	13.0	22.0	
9		9	9	12	39	7,385	7,385	7,385	9,846	19,200	5.63	32,000	9.38	38,400	11.25	1,723	2,461	3,445	13.0	22.0	
7		9	9	15	40	5,600	7,200	7,200	12,000	19,200	5.63	32,000	9.38	38,400	11.25	1,723	2,461	3,445	13.0	22.0	
7		9	12	12	40	5,600	7,200	9,600	9,600	19,200	5.63	32,000	9.38	38,400	11.25	1,723	2,461	3,445	13.0	22.0	
7		7	9	18	41	5,463	5,463	7,024	14,049	19,200	5.63	32,000	9.38	38,400	11.25	1,723	2,461	3,445	13.0	22.0	
7		7	12	15	41	5,463	5,463	9,366	11,707	19,200	5.63	32,000	9.38	38,400	11.25	1,723	2,461	3,445	13.0	22.0	
9		9	9	15	42	6,857	6,857	6,857	11,429	19,200	5.63	32,000	9.38	38,400	11.25	1,723	2,461	3,445	13.0	22.0	
9		9	12	12	42	6,857	6,857	9,143	9,143	19,200	5.63	32,000	9.38	38,400	11.25	1,723	2,461	3,445	13.0	22.0	
7		9	9	18	43	5,209	6,698	6,698	13,395	19,200	5.63	32,000	9.38	38,400	11.25	1,723	2,461	3,445	13.0	22.0	
7		9	12	15	43	5,209	6,698	8,930	11,163	19,200	5.63	32,000	9.38	38,400	11.25	1,723	2,461	3,445	13.0	22.0	
7		12	12	12	43	5,209	8,930	8,930	8,930	19,200	5.63	32,000	9.38	38,400	11.25	1,723	2,461	3,445	13.0	22.0	
7		7	12	18	44	5,091	5,091	8,727	13,091	19,200	5.63	32,000	9.38	38,400	11.25	1,723	2,461	3,445	13.0	22.0	
7		7	15	15	44	5,091	5,091	10,909	10,909	19,200	5.63	32,000	9.38	38,400	11.25	1,723	2,461	3,445	13.0	22.0	
7		7	7	24	45	4,978	4,978	4,978	17,067	19,200	5.63	32,000	9.38	38,400	11.25	1,723	2,461	3,445	13.0	22.0	
9		9	9	18	45	6,400	6,400	6,400	12,800	19,200	5.63	32,000	9.38	38,400	11.25	1,723	2,461	3,445	13.0	22.0	
9		9	12	15	45	6,400	6,400	8,533	10,667	19,200	5.63	32,000	9.38	38,400	11.25	1,723	2,461	3,445	13.0	22.0	
9		12	12	12	45	6,400	8,533	8,533	8,533	19,200	5.63	32,000	9.38	38,400	11.25	1,723	2,461	3,445	13.0	22.0	
7		9	12	18	46	4,870	6,261	8,348	12,522	19,200	5.63	32,000	9.38	38,400	11.25	1,723	2,461	3,445	13.0	22.0	
7		9	15	15	46	4,870	6,261	10,435	10,435	19,200	5.63	32,000	9.38	38,400	11.25	1,723	2,461	3,445	13.0	22.0	
7	12	12	15	46	4,870	8,348	8,348	10,435	19,200	5.63	32,000	9.38	38,400	11.25	1,723	2,461	3,445	13.0	22.0		
7	7	9	24	47	4,766	4,766	6,128	16,340	19,200	5.63	32,000	9.38	38,400	11.25	1,723	2,461	3,445	13.0	22.0		
7	7	15	18	47	4,766	4,766	10,213	12,255	19,200	5.63	32,000	9.38	38,400	11.25	1,723	2,461	3,445	13.0	22.0		
9	9	12	18	48	6,000	6,000	8,000	12,000	19,200	5.63	32,000	9.38	38,400	11.25	1,723	2,461	3,445	13.0	22.0		
9	9	15	15	48	6,000	6,000	10,000	10,000	19,200	5.63	32,000	9.38	38,400	11.25	1,723	2,461	3,445	13.0	22.0		
12	12	12	12	48	8,000	8,000	8,000	8,000	19,200	5.63	32,000	9.38	38,400	11.25	1,723	2,461	3,445	13.0	22.0		

¹Capacity as rated: 0 ft. above sea level with 25 ft. of refrigerant piping.
0 ft. level difference between outdoor and indoor units.

²Cooling capacity rating obtained with air entering the indoor unit at 80°F dry bulb (DB) and 67°F wet bulb (WB), and outdoor ambient conditions of 95°F dry bulb (DB) and 75°F wet bulb (WB).

³Wiring cable size must comply with the applicable local and national codes.

⁴The specification may be subject to change without prior notice for purpose of improvement.

⁵At least two indoor units should be connected.



PERFORMANCE DATA

Rated Cooling Combination Tables

MULTI F
MULTI F MAX

Table 21: LMU36CHV with Ducted Indoor Units — Rated Cooling Combination Table.

No. of Indoor Units	Indoor Unit Combination (kBtu/h)					Room Capacity				Total Capacity						Input (W)			EER	SEER
	IDU 1	IDU 2	IDU 3	IDU 4	Total	Unit 1 (Btu/h)	Unit 2 (Btu/h)	Unit 3 (Btu/h)	Unit 4 (Btu/h)	Minimum		Rated		Maximum		Min.	Rated	Max.		
										Btu/h	kW	Btu/h	kW	Btu/h	kW					
<i>Ducted Indoor Units</i>																				
Two Units	9	9	-	-	18	7,875	7,875	-	-	9,450	2.8	15,750	4.6	17,483	5.1	1,245	1,779	2,491	8.9	14.6
	9	12	-	-	21	7,875	10,500	-	-	11,025	3.2	18,375	5.4	20,396	6.0	1,426	2,038	2,853	9.0	14.9
	12	12	-	-	24	10,500	10,500	-	-	12,600	3.7	21,000	6.2	23,310	6.8	1,578	2,255	3,157	9.3	15.4
	9	18	-	-	27	7,875	15,750	-	-	14,175	4.2	23,625	6.9	26,224	7.7	1,752	2,503	3,504	9.4	15.6
	12	18	-	-	30	10,500	15,750	-	-	15,750	4.6	26,250	7.7	29,138	8.5	1,904	2,720	3,808	9.6	16.0
	9	24*	-	-	33	7,636	20,364	-	-	16,800	4.9	28,000	8.2	31,080	9.1	1,998	2,855	3,997	9.8	16.2
	18	18	-	-	36	14,000	14,000	-	-	16,800	4.9	28,000	8.2	31,080	9.1	1,998	2,855	3,997	9.8	16.2
	12	24*	-	-	36	9,333	18,667	-	-	16,800	4.9	28,000	8.2	31,080	9.1	1,998	2,855	3,997	9.8	16.2
Three Units	9	9	9	-	27	7,875	7,875	7,875	-	14,175	4.2	23,625	6.9	27,169	8.0	1,665	2,379	3,331	9.9	16.4
	9	9	12	-	30	7,875	7,875	10,500	-	15,750	4.6	26,250	7.7	30,188	8.8	1,781	2,544	3,562	10.3	17.1
	9	12	12	-	33	7,636	10,182	10,182	-	16,800	4.9	28,000	8.2	32,200	9.4	1,868	2,669	3,736	10.5	17.4
	9	9	18	-	36	7,000	7,000	14,000	-	16,800	4.9	28,000	8.2	32,200	9.4	1,868	2,669	3,736	10.5	17.4
	12	12	12	-	36	9,333	9,333	9,333	-	16,800	4.9	28,000	8.2	32,200	9.4	1,868	2,669	3,736	10.5	17.4
	9	12	18	-	39	6,462	8,615	12,923	-	16,800	4.9	28,000	8.2	32,200	9.4	1,868	2,669	3,736	10.5	17.4
	12	12	18	-	42	8,000	8,000	12,000	-	16,800	4.9	28,000	8.2	32,200	9.4	1,868	2,669	3,736	10.5	17.4
	9	18	18	-	45	5,600	11,200	11,200	-	16,800	4.9	28,000	8.2	32,200	9.4	1,868	2,669	3,736	10.5	17.4
	12	18	18	-	48	7,000	10,500	10,500	-	16,800	4.9	28,000	8.2	32,200	9.4	1,868	2,669	3,736	10.5	17.4
Four Units	9	9	9	9	36	7,000	7,000	7,000	7,000	16,800	4.9	28,000	8.2	33,600	9.8	1,782	2,545	3,564	11.0	18.2
	9	9	9	12	39	6,462	6,462	6,462	8,615	16,800	4.9	28,000	8.2	33,600	9.8	1,782	2,545	3,564	11.0	18.2
	9	9	12	12	42	6,000	6,000	8,000	8,000	16,800	4.9	28,000	8.2	33,600	9.8	1,782	2,545	3,564	11.0	18.2
	9	9	9	18	45	5,600	5,600	5,600	11,200	16,800	4.9	28,000	8.2	33,600	9.8	1,782	2,545	3,564	11.0	18.2
	9	12	12	12	45	5,600	7,467	7,467	7,467	16,800	4.9	28,000	8.2	33,600	9.8	1,782	2,545	3,564	11.0	18.2
	9	9	12	18	48	5,250	5,250	7,000	10,500	16,800	4.9	28,000	8.2	33,600	9.8	1,782	2,545	3,564	11.0	18.2
	12	12	12	12	48	7,000	7,000	7,000	7,000	16,800	4.9	28,000	8.2	33,600	9.8	1,782	2,545	3,564	11.0	18.2

¹Capacity as rated:

0 ft. above sea level with 25 ft. of refrigerant piping.
0 ft. level difference between outdoor and indoor units.

³At least two indoor units should be connected.

⁴A 1.3 multiplier is necessary for the calculation of total combination.

²Cooling capacity rating obtained with air entering the indoor unit at 80°F dry bulb (DB) and 67°F wet bulb (WB), and outdoor ambient conditions of 95°F dry bulb (DB) and 75°F wet bulb (WB).

³Wiring cable size must comply with the applicable local and national codes.

⁴The specification may be subject to change without prior notice for purpose of improvement.

Multi F and Multi F MAX Heat Pump System Engineering Manual

Table 22: LMU36CHV with Mixed Indoor Units — Rated Cooling Combination Table.

No. of Indoor Units	Indoor Unit Combination (kBtu/h)					Room Capacity				Total Capacity						Input (W)			EER	SEER
	IDU 1	IDU 2	IDU 3	IDU 4	Total	Unit 1 (Btu/h)	Unit 2 (Btu/h)	Unit 3 (Btu/h)	Unit 4 (Btu/h)	Minimum		Rated		Maximum		Min.	Rated	Max.		
										Btu/h	kW	Btu/h	kW	Btu/h	kW					
Mixed Indoor Units																				
Two Units	7	9	-	-	16	6,563	8,438	-	-	9,000	2.6	15,000	4.4	16,650	4.9	1,089	1,556	2,179	9.6	16.2
	9	9	-	-	18	8,438	8,438	-	-	10,125	3.0	16,875	4.9	18,731	5.5	1,225	1,750	2,449	9.6	16.2
	7	12	-	-	19	6,563	11,250	-	-	10,688	3.1	17,813	5.2	19,772	5.8	1,282	1,831	2,563	9.7	16.3
	9	12	-	-	21	8,438	11,250	-	-	11,813	3.5	19,688	5.8	21,853	6.4	1,403	2,004	2,805	9.8	16.5
	9	15	-	-	24	8,438	14,063	-	-	13,500	4.0	22,500	6.6	24,975	7.3	1,552	2,217	3,104	10.1	17.0
	12	12	-	-	24	11,250	11,250	-	-	13,500	4.0	22,500	6.6	24,975	7.3	1,552	2,217	3,104	10.1	17.0
	7	18	-	-	25	6,563	16,875	-	-	14,063	4.1	23,438	6.9	26,016	7.6	1,609	2,299	3,218	10.2	17.1
	9	18	-	-	27	8,438	16,875	-	-	15,188	4.5	25,313	7.4	28,097	8.2	1,723	2,462	3,446	10.3	17.2
	12	15	-	-	27	11,250	14,063	-	-	15,188	4.5	25,313	7.4	28,097	8.2	1,723	2,462	3,446	10.3	17.2
	12	18	-	-	30	11,250	16,875	-	-	16,875	4.9	28,125	8.2	31,219	9.1	1,873	2,675	3,745	10.5	17.6
	7	24	-	-	31	6,563	22,500	-	-	17,438	5.1	29,063	8.5	32,259	9.5	1,915	2,736	3,831	10.6	17.8
	9	24	-	-	33	8,182	21,818	-	-	18,000	5.3	30,000	8.8	33,300	9.8	1,965	2,807	3,930	10.7	17.9
	15	18	-	-	33	13,636	16,364	-	-	18,000	5.3	30,000	8.8	33,300	9.8	1,965	2,807	3,930	10.7	17.9
	18	18	-	-	36	15,000	15,000	-	-	18,000	5.3	30,000	8.8	33,300	9.8	1,965	2,807	3,930	10.7	17.9
	12	24	-	-	36	10,000	20,000	-	-	18,000	5.3	30,000	8.8	33,300	9.8	1,965	2,807	3,930	10.7	17.9
	15	24	-	-	39	11,538	18,462	-	-	18,000	5.3	30,000	8.8	33,300	9.8	1,965	2,807	3,930	10.7	17.9
	18	24*	-	-	42	12,857	17,143	-	-	18,000	5.3	30,000	8.8	33,300	9.8	1,965	2,807	3,930	10.7	17.9
	24*	24*	-	-	48	15,000	15,000	-	-	18,000	5.3	30,000	8.8	33,300	9.8	1,965	2,807	3,930	10.7	17.9
Three Units	7	7	9	-	23	6,563	6,563	8,438	-	12,938	3.8	21,563	6.3	24,797	7.3	1,467	2,095	2,933	10.3	17.3
	7	9	9	-	25	6,563	8,438	8,438	-	14,063	4.1	23,438	6.9	26,953	7.9	1,581	2,258	3,161	10.4	17.4
	7	7	12	-	26	6,563	6,563	11,250	-	14,625	4.3	24,375	7.1	28,031	8.2	1,609	2,299	3,218	10.6	17.8
	9	9	9	-	27	8,438	8,438	8,438	-	15,188	4.5	25,313	7.4	29,109	8.5	1,638	2,339	3,275	10.8	18.1
	7	9	12	-	28	6,563	8,438	11,250	-	15,750	4.6	26,250	7.7	30,188	8.8	1,673	2,390	3,346	11.0	18.4
	9	9	12	-	30	8,438	8,438	11,250	-	16,875	4.9	28,125	8.2	32,344	9.5	1,752	2,502	3,503	11.2	18.9
	7	9	15	-	31	6,563	8,438	14,063	-	17,438	5.1	29,063	8.5	33,422	9.8	1,794	2,563	3,589	11.3	19.0
	7	12	12	-	31	6,563	11,250	11,250	-	17,438	5.1	29,063	8.5	33,422	9.8	1,794	2,563	3,589	11.3	19.0
	7	7	18	-	32	6,563	6,563	16,875	-	18,000	5.3	30,000	8.8	34,500	10.1	1,837	2,624	3,674	11.4	19.2
	9	9	15	-	33	8,182	8,182	13,636	-	18,000	5.3	30,000	8.8	34,500	10.1	1,837	2,624	3,674	11.4	19.2
	9	12	12	-	33	8,182	10,909	10,909	-	18,000	5.3	30,000	8.8	34,500	10.1	1,837	2,624	3,674	11.4	19.2
	7	9	18	-	34	6,176	7,941	15,882	-	18,000	5.3	30,000	8.8	34,500	10.1	1,837	2,624	3,674	11.4	19.2
	7	12	15	-	34	6,176	10,588	13,235	-	18,000	5.3	30,000	8.8	34,500	10.1	1,837	2,624	3,674	11.4	19.2
	9	9	18	-	36	7,500	7,500	15,000	-	18,000	5.3	30,000	8.8	34,500	10.1	1,837	2,624	3,674	11.4	19.2
	9	12	15	-	36	7,500	10,000	12,500	-	18,000	5.3	30,000	8.8	34,500	10.1	1,837	2,624	3,674	11.4	19.2
	12	12	12	-	36	10,000	10,000	10,000	-	18,000	5.3	30,000	8.8	34,500	10.1	1,837	2,624	3,674	11.4	19.2
	7	12	18	-	37	5,676	9,730	14,595	-	18,000	5.3	30,000	8.8	34,500	10.1	1,837	2,624	3,674	11.4	19.2
	7	7	24	-	38	5,526	5,526	18,947	-	18,000	5.3	30,000	8.8	34,500	10.1	1,837	2,624	3,674	11.4	19.2
	9	12	18	-	39	6,923	9,231	13,846	-	18,000	5.3	30,000	8.8	34,500	10.1	1,837	2,624	3,674	11.4	19.2
	9	15	15	-	39	6,923	11,538	11,538	-	18,000	5.3	30,000	8.8	34,500	10.1	1,837	2,624	3,674	11.4	19.2
	12	12	15	-	39	9,231	9,231	11,538	-	18,000	5.3	30,000	8.8	34,500	10.1	1,837	2,624	3,674	11.4	19.2
	7	9	24	-	40	5,250	6,750	18,000	-	18,000	5.3	30,000	8.8	34,500	10.1	1,837	2,624	3,674	11.4	19.2
	7	15	18	-	40	5,250	11,250	13,500	-	18,000	5.3	30,000	8.8	34,500	10.1	1,837	2,624	3,674	11.4	19.2
	9	9	24*	-	42	6,429	6,429	17,143	-	18,000	5.3	30,000	8.8	34,500	10.1	1,837	2,624	3,674	11.4	19.2
9	15	18	-	42	6,429	10,714	12,857	-	18,000	5.3	30,000	8.8	34,500	10.1	1,837	2,624	3,674	11.4	19.2	
12	12	18	-	42	8,571	8,571	12,857	-	18,000	5.3	30,000	8.8	34,500	10.1	1,837	2,624	3,674	11.4	19.2	
12	15	15	-	42	8,571	10,714	10,714	-	18,000	5.3	30,000	8.8	34,500	10.1	1,837	2,624	3,674	11.4	19.2	
7	12	24*	-	43	4,884	8,372	16,744	-	18,000	5.3	30,000	8.8	34,500	10.1	1,837	2,624	3,674	11.4	19.2	
7	18	18	-	43	4,884	12,558	12,558	-	18,000	5.3	30,000	8.8	34,500	10.1	1,837	2,624	3,674	11.4	19.2	
9	12	24*	-	45	6,000	8,000	16,000	-	18,000	5.3	30,000	8.8	34,500	10.1	1,837	2,624	3,674	11.4	19.2	
9	18	18	-	45	6,000	12,000	12,000	-	18,000	5.3	30,000	8.8	34,500	10.1	1,837	2,624	3,674	11.4	19.2	

*Capacity as rated: 0 ft. above sea level with 25 ft. of refrigerant piping. ³Wiring cable size must comply with the applicable local and national codes.
 0 ft. level difference between outdoor and indoor units. ⁴The specification may be subject to change without prior notice for purpose of improvement.
²Cooling capacity rating obtained with air entering the indoor unit at 80°F dry bulb (DB) and 67°F wet bulb (WB), and outdoor ambient conditions of 95°F dry bulb (DB) and 75°F wet bulb (WB). ⁵At least two indoor units should be connected.
⁶The indoor unit must be non-ducted type.

PERFORMANCE DATA

Rated Cooling Combination Tables

MULTI F MULTI F MAX

Table 23: LMU36CHV with Mixed Indoor Units — Rated Cooling Combination Table.

No. of Indoor Units	Indoor Unit Combination (kBtu/h)					Room Capacity				Total Capacity						Input (W)			EER	SEER
	IDU 1	IDU 2	IDU 3	IDU 4	Total	Unit 1 (Btu/h)	Unit 2 (Btu/h)	Unit 3 (Btu/h)	Unit 4 (Btu/h)	Minimum		Rated		Maximum		Min.	Rated	Max.		
										Btu/h	kW	Btu/h	kW	Btu/h	kW					
<i>Mixed Indoor Units</i>																				
Three Units	12	15	18	-	45	8,000	10,000	12,000	-	18,000	5.3	30,000	8.8	34,500	10.1	1,837	2,624	3,674	11.4	19.2
	7	15	24*	-	46	4,565	9,783	15,652	-	18,000	5.3	30,000	8.8	34,500	10.1	1,837	2,624	3,674	11.4	19.2
	9	15	24*	-	48	5,625	9,375	15,000	-	18,000	5.3	30,000	8.8	34,500	10.1	1,837	2,624	3,674	11.4	19.2
	12	12	24*	-	48	7,500	7,500	15,000	-	18,000	5.3	30,000	8.8	34,500	10.1	1,837	2,624	3,674	11.4	19.2
	12	18	18	-	48	7,500	11,250	11,250	-	18,000	5.3	30,000	8.8	34,500	10.1	1,837	2,624	3,674	11.4	19.2
	15	15	18	-	48	9,375	9,375	11,250	-	18,000	5.3	30,000	8.8	34,500	10.1	1,837	2,624	3,674	11.4	19.2
Four Units	7	7	7	9	30	6,563	6,563	6,563	8,438	16,875	4.9	28,125	8.2	33,750	9.9	1,673	2,390	3,346	11.8	19.7
	7	7	9	9	32	6,563	6,563	8,438	8,438	18,000	5.3	30,000	8.8	36,000	10.6	1,752	2,503	3,505	12.0	20.1
	7	7	7	12	33	6,364	6,364	6,364	10,909	18,000	5.3	30,000	8.8	36,000	10.6	1,752	2,503	3,505	12.0	20.1
	7	9	9	9	34	6,176	7,941	7,941	7,941	18,000	5.3	30,000	8.8	36,000	10.6	1,752	2,503	3,505	12.0	20.1
	7	7	9	12	35	6,000	6,000	7,714	10,286	18,000	5.3	30,000	8.8	36,000	10.6	1,752	2,503	3,505	12.0	20.1
	9	9	9	9	36	7,500	7,500	7,500	7,500	18,000	5.3	30,000	8.8	36,000	10.6	1,752	2,503	3,505	12.0	20.1
	7	9	9	12	37	5,676	7,297	7,297	9,730	18,000	5.3	30,000	8.8	36,000	10.6	1,752	2,503	3,505	12.0	20.1
	7	7	9	15	38	5,526	5,526	7,105	11,842	18,000	5.3	30,000	8.8	36,000	10.6	1,752	2,503	3,505	12.0	20.1
	7	7	12	12	38	5,526	5,526	9,474	9,474	18,000	5.3	30,000	8.8	36,000	10.6	1,752	2,503	3,505	12.0	20.1
	7	7	7	18	39	5,385	5,385	5,385	13,846	18,000	5.3	30,000	8.8	36,000	10.6	1,752	2,503	3,505	12.0	20.1
	9	9	9	12	39	6,923	6,923	6,923	9,231	18,000	5.3	30,000	8.8	36,000	10.6	1,752	2,503	3,505	12.0	20.1
	7	9	9	15	40	5,250	6,750	6,750	11,250	18,000	5.3	30,000	8.8	36,000	10.6	1,752	2,503	3,505	12.0	20.1
	7	9	12	12	40	5,250	6,750	9,000	9,000	18,000	5.3	30,000	8.8	36,000	10.6	1,752	2,503	3,505	12.0	20.1
	7	7	9	18	41	5,122	5,122	6,585	13,171	18,000	5.3	30,000	8.8	36,000	10.6	1,752	2,503	3,505	12.0	20.1
	7	7	12	15	41	5,122	5,122	8,780	10,976	18,000	5.3	30,000	8.8	36,000	10.6	1,752	2,503	3,505	12.0	20.1
	9	9	9	15	42	6,429	6,429	6,429	10,714	18,000	5.3	30,000	8.8	36,000	10.6	1,752	2,503	3,505	12.0	20.1
	9	9	12	12	42	6,429	6,429	8,571	8,571	18,000	5.3	30,000	8.8	36,000	10.6	1,752	2,503	3,505	12.0	20.1
	7	9	9	18	43	4,884	6,279	6,279	12,558	18,000	5.3	30,000	8.8	36,000	10.6	1,752	2,503	3,505	12.0	20.1
	7	9	12	15	43	4,884	6,279	8,372	10,465	18,000	5.3	30,000	8.8	36,000	10.6	1,752	2,503	3,505	12.0	20.1
	7	12	12	12	43	4,884	8,372	8,372	8,372	18,000	5.3	30,000	8.8	36,000	10.6	1,752	2,503	3,505	12.0	20.1
	7	7	12	18	44	4,773	4,773	8,182	12,273	18,000	5.3	30,000	8.8	36,000	10.6	1,752	2,503	3,505	12.0	20.1
	7	7	7	24*	45	4,667	4,667	4,667	16,000	18,000	5.3	30,000	8.8	36,000	10.6	1,752	2,503	3,505	12.0	20.1
	9	9	9	18	45	6,000	6,000	6,000	12,000	18,000	5.3	30,000	8.8	36,000	10.6	1,752	2,503	3,505	12.0	20.1
	9	9	12	15	45	6,000	6,000	8,000	10,000	18,000	5.3	30,000	8.8	36,000	10.6	1,752	2,503	3,505	12.0	20.1
	9	12	12	12	45	6,000	8,000	8,000	8,000	18,000	5.3	30,000	8.8	36,000	10.6	1,752	2,503	3,505	12.0	20.1
	7	9	12	18	46	4,565	5,870	7,826	11,739	18,000	5.3	30,000	8.8	36,000	10.6	1,752	2,503	3,505	12.0	20.1
	7	9	15	15	46	4,565	5,870	9,783	9,783	18,000	5.3	30,000	8.8	36,000	10.6	1,752	2,503	3,505	12.0	20.1
7	12	12	15	46	4,565	7,826	7,826	9,783	18,000	5.3	30,000	8.8	36,000	10.6	1,752	2,503	3,505	12.0	20.1	
7	7	9	24*	47	4,468	4,468	5,745	15,319	18,000	5.3	30,000	8.8	36,000	10.6	1,752	2,503	3,505	12.0	20.1	
7	7	15	18	47	4,468	4,468	9,574	11,489	18,000	5.3	30,000	8.8	36,000	10.6	1,752	2,503	3,505	12.0	20.1	
9	9	12	18	48	5,625	5,625	7,500	11,250	18,000	5.3	30,000	8.8	36,000	10.6	1,752	2,503	3,505	12.0	20.1	
9	9	15	15	48	5,625	5,625	9,375	9,375	18,000	5.3	30,000	8.8	36,000	10.6	1,752	2,503	3,505	12.0	20.1	
12	12	12	12	48	7,500	7,500	7,500	7,500	18,000	5.3	30,000	8.8	36,000	10.6	1,752	2,503	3,505	12.0	20.1	

¹Capacity as rated:

0 ft. above sea level with 25 ft. of refrigerant piping.
0 ft. level difference between outdoor and indoor units.

⁴The specification may be subject to change without prior notice for purpose of improvement.

²Cooling capacity rating obtained with air entering the indoor unit at 80°F dry bulb (DB) and 67°F wet bulb (WB), and outdoor ambient conditions of 95°F dry bulb (DB) and 75°F wet bulb (WB).

⁵At least two indoor units should be connected.

³Wiring cable size must comply with the applicable local and national codes.

⁶The indoor unit must be non-ducted type.



Table 24: LMU18CHV with Non-Ducted, Ducted, and Mixed Indoor Units — Rated Heating Combination Table.

No. of Indoor Units	Indoor Unit Combination (kBtu/h)					Room Capacity				Total Capacity						Input (W)			COP	HSPF	
	IDU 1	IDU 2	IDU 3	IDU 4	Total	Unit 1 (Btu/h)	Unit 2 (Btu/h)	Unit 3 (Btu/h)	Unit 4 (Btu/h)	Minimum		Rated		Maximum		Min.	Rated	Max.			
										Btu/h	kW	Btu/h	kW	Btu/h	kW						
Non-Ducted Indoor Units																					
Two Units	7	7	-	-	14	8,540	8,540	-	-	10,248	3.00	17,080	5.01	19,642	5.76	1,155	1,650	2,310	3.0	9.3	
	7	9	-	-	16	8,540	10,980	-	-	11,712	3.43	19,520	5.72	22,448	6.58	1,309	1,870	2,420	3.1	9.4	
	9	9	-	-	18	11,000	11,000	-	-	13,200	3.87	22,000	6.45	24,000	7.03	1,428	2,040	2,420	3.2	9.7	
	7	12	-	-	19	8,105	13,895	-	-	13,200	3.87	22,000	6.45	24,000	7.03	1,428	2,040	2,420	3.2	9.7	
	9	12	-	-	21	9,429	12,571	-	-	13,200	3.87	22,000	6.45	24,000	7.03	1,428	2,040	2,420	3.2	9.7	
	7	15	-	-	22	7,000	15,000	-	-	13,200	3.87	22,000	6.45	24,000	7.03	1,428	2,040	2,420	3.2	9.7	
	9	15	-	-	24	8,250	13,750	-	-	13,200	3.87	22,000	6.45	24,000	7.03	1,428	2,040	2,420	3.2	9.7	
12	12	-	-	24	11,000	11,000	-	-	13,200	3.87	22,000	6.45	24,000	7.03	1,428	2,040	2,420	3.2	9.7		
Ducted Indoor Units																					
Two Units	9	9	-	-	18	9,900	9,900	-	-	11,880	3.48	19,800	5.80	24,000	7.03	1,386	1,980	2,420	2.9	9.7	
	9	12	-	-	21	8,486	11,314	-	-	11,880	3.48	19,800	5.80	24,000	7.03	1,386	1,980	2,420	2.9	9.7	
	12	12	-	-	24	9,900	9,900	-	-	11,880	3.48	19,800	5.80	24,000	7.03	1,386	1,980	2,420	2.9	9.7	
Mixed Indoor Units																					
Two Units	7	9	-	-	16	8,113	10,431	-	-	11,126	3.26	18,544	5.43	21,326	6.25	1,290	1,843	2,420	2.9	9.4	
	9	9	-	-	18	10,450	10,450	-	-	12,540	3.68	20,900	6.13	24,000	7.03	1,407	2,010	2,420	3.0	9.7	
	7	12	-	-	19	7,700	13,200	-	-	12,540	3.68	20,900	6.13	24,000	7.03	1,407	2,010	2,420	3.0	9.7	
	9	12	-	-	21	8,957	11,943	-	-	12,540	3.68	20,900	6.13	24,000	7.03	1,407	2,010	2,420	3.0	9.7	
	9	15	-	-	24	7,838	13,063	-	-	12,540	3.68	20,900	6.13	24,000	7.03	1,407	2,010	2,420	3.0	9.7	
	12	12	-	-	24	10,450	10,450	-	-	12,540	3.68	20,900	6.13	24,000	7.03	1,407	2,010	2,420	3.0	9.7	

¹Capacity as rated: 0 ft. above sea level with 25 ft. of refrigerant piping.
0 ft. level difference between outdoor and indoor units.

²Heating capacity rating obtained with air entering the indoor unit at 70°F dry bulb (DB) and 60°F wet bulb (WB), and outdoor ambient conditions of 47°F dry bulb (DB) and 43°F wet bulb (WB).

³Wiring cable size must comply with the applicable local and national codes.

⁴The specification may be subject to change without prior notice for purpose of improvement.

⁵At least two indoor units should be connected.

PERFORMANCE DATA

Rated Heating Combination Tables

MULTI F
MULTI F MAX

Table 25: LMU24CHV with Non-Ducted and Ducted Indoor Units — Rated Heating Combination Table.

No. of Indoor Units	Indoor Unit Combination (kBtu/h)					Room Capacity				Total Capacity						Input (W)			COP	HSPF
	IDU 1	IDU 2	IDU 3	IDU 4	Total	Unit 1 (Btu/h)	Unit 2 (Btu/h)	Unit 3 (Btu/h)	Unit 4 (Btu/h)	Minimum		Rated		Maximum		Min.	Rated	Max.		
										Btu/h	kW	Btu/h	kW	Btu/h	kW					
Non-Ducted Indoor Units																				
Two Units	7	7	-	-	14	7,700	7,700	-	-	9,240	2.71	15,400	4.51	17,710	5.19	1,092	1,560	2,184	2.9	7.8
	7	9	-	-	16	7,700	9,900	-	-	10,560	3.09	17,600	5.16	20,240	5.93	1,134	1,620	2,268	3.2	8.6
	9	9	-	-	18	9,900	9,900	-	-	11,880	3.48	19,800	5.80	22,770	6.67	1,197	1,710	2,394	3.4	9.2
	7	12	-	-	19	7,700	13,200	-	-	12,540	3.68	20,900	6.13	24,035	7.04	1,232	1,760	2,464	3.5	9.4
	9	12	-	-	21	9,900	13,200	-	-	13,860	4.06	23,100	6.77	26,565	7.79	1,323	1,890	2,580	3.6	9.7
	7	15	-	-	22	7,636	16,364	-	-	14,400	4.22	24,000	7.03	27,600	8.09	1,358	1,940	2,580	3.6	9.8
	9	15	-	-	24	9,000	15,000	-	-	14,400	4.22	24,000	7.03	27,600	8.09	1,358	1,940	2,580	3.6	9.8
	12	12	-	-	24	12,000	12,000	-	-	14,400	4.22	24,000	7.03	27,600	8.09	1,358	1,940	2,580	3.6	9.8
	7	18	-	-	25	6,720	17,280	-	-	14,400	4.22	24,000	7.03	27,600	8.09	1,358	1,940	2,580	3.6	9.8
	9	18	-	-	27	8,000	16,000	-	-	14,400	4.22	24,000	7.03	27,600	8.09	1,358	1,940	2,580	3.6	9.8
	12	15	-	-	27	10,667	13,333	-	-	14,400	4.22	24,000	7.03	27,600	8.09	1,358	1,940	2,580	3.6	9.8
	12	18	-	-	30	9,600	14,400	-	-	14,400	4.22	24,000	7.03	27,600	8.09	1,358	1,940	2,580	3.6	9.8
	15	15	-	-	30	12,000	12,000	-	-	14,400	4.22	24,000	7.03	27,600	8.09	1,358	1,940	2,580	3.6	9.8
	7	24	-	-	31	5,419	18,581	-	-	14,400	4.22	24,000	7.03	27,600	8.09	1,358	1,940	2,580	3.6	9.8
	9	24	-	-	33	6,545	17,455	-	-	14,400	4.22	24,000	7.03	27,600	8.09	1,358	1,940	2,580	3.6	9.8
15	18	-	-	33	10,909	13,091	-	-	14,400	4.22	24,000	7.03	27,600	8.09	1,358	1,940	2,580	3.6	9.8	
Three Units	7	7	7	-	21	7,700	7,700	7,700	-	13,860	4.06	23,100	6.77	27,720	8.12	1,246	1,780	2,492	3.8	10.3
	7	7	9	-	23	7,304	7,304	9,391	-	14,400	4.22	24,000	7.03	28,800	8.44	1,260	1,800	2,520	3.9	10.6
	7	9	9	-	25	6,720	8,640	8,640	-	14,400	4.22	24,000	7.03	28,800	8.44	1,260	1,800	2,520	3.9	10.6
	7	7	12	-	26	6,462	6,462	11,077	-	14,400	4.22	24,000	7.03	28,800	8.44	1,260	1,800	2,520	3.9	10.6
	9	9	9	-	27	8,000	8,000	8,000	-	14,400	4.22	24,000	7.03	28,800	8.44	1,260	1,800	2,520	3.9	10.6
	7	9	12	-	28	6,000	7,714	10,286	-	14,400	4.22	24,000	7.03	28,800	8.44	1,260	1,800	2,520	3.9	10.6
	7	7	15	-	29	5,793	5,793	12,414	-	14,400	4.22	24,000	7.03	28,800	8.44	1,260	1,800	2,520	3.9	10.6
	9	9	12	-	30	7,200	7,200	9,600	-	14,400	4.22	24,000	7.03	28,800	8.44	1,260	1,800	2,520	3.9	10.6
	7	9	15	-	31	5,419	6,968	11,613	-	14,400	4.22	24,000	7.03	28,800	8.44	1,260	1,800	2,520	3.9	10.6
	7	12	12	-	31	5,419	9,290	9,290	-	14,400	4.22	24,000	7.03	28,800	8.44	1,260	1,800	2,520	3.9	10.6
	7	7	18	-	32	5,250	5,250	13,500	-	14,400	4.22	24,000	7.03	28,800	8.44	1,260	1,800	2,520	3.9	10.6
	9	9	15	-	33	6,545	6,545	10,909	-	14,400	4.22	24,000	7.03	28,800	8.44	1,260	1,800	2,520	3.9	10.6
9	12	12	-	33	6,545	8,727	8,727	-	14,400	4.22	24,000	7.03	28,800	8.44	1,260	1,800	2,520	3.9	10.6	
Ducted Indoor Units																				
Two Units	9	9	-	-	18	9,281	9,281	-	-	11,138	3.26	18,563	5.44	21,347	6.26	1,275	1,822	2,551	3.0	8.5
	9	12	-	-	21	9,281	12,375	-	-	12,994	3.81	21,656	6.35	24,905	7.30	1,410	2,014	2,580	3.2	9.0
	12	12	-	-	24	11,250	11,250	-	-	13,500	3.96	22,500	6.59	25,875	7.58	1,447	2,067	2,580	3.2	9.1
	9	18	-	-	27	7,500	15,000	-	-	13,500	3.96	22,500	6.59	25,875	7.58	1,447	2,067	2,580	3.2	9.1
	12	18	-	-	30	9,000	13,500	-	-	13,500	3.96	22,500	6.59	25,875	7.58	1,447	2,067	2,580	3.2	9.1
Three Units	9	9	9	-	27	7,500	7,500	7,500	-	13,500	3.96	22,500	6.59	27,000	7.91	1,343	1,918	2,685	3.4	9.8
	9	9	12	-	30	6,750	6,750	9,000	-	13,500	3.96	22,500	6.59	27,000	7.91	1,343	1,918	2,685	3.4	9.8
	9	12	12	-	33	6,136	8,182	8,182	-	13,500	3.96	22,500	6.59	27,000	7.91	1,343	1,918	2,685	3.4	9.8

¹Capacity as rated:

0 ft. above sea level with 25 ft. of refrigerant piping.
0 ft. level difference between outdoor and indoor units.

²Heating capacity rating obtained with air entering the indoor unit at 70°F dry bulb (DB) and 60°F wet bulb (WB), and outdoor ambient conditions of 47°F dry bulb (DB) and 43°F wet bulb (WB).

³Wiring cable size must comply with the applicable local and national codes.

⁴The specification may be subject to change without prior notice for purpose of improvement.

⁵At least two indoor units should be connected.



Table 26: LMU24CHV with Mixed Indoor Units — Rated Heating Combination Table.

No. of Indoor Units	Indoor Unit Combination (kBtu/h)					Room Capacity				Total Capacity						Input (W)			COP	HSPF
	IDU 1	IDU 2	IDU 3	IDU 4	Total	Unit 1 (Btu/h)	Unit 2 (Btu/h)	Unit 3 (Btu/h)	Unit 4 (Btu/h)	Minimum		Rated		Maximum		Min.	Rated	Max.		
										Btu/h	kW	Btu/h	kW	Btu/h	kW					
<i>Mixed Indoor Units</i>																				
Two Units	7	9	-	-	16	7,459	9,591	-	-	10,230	3.00	17,050	5.00	19,608	5.75	1,171	1,673	2,342	3.0	8.3
	9	9	-	-	18	9,591	9,591	-	-	11,509	3.37	19,181	5.62	22,058	6.46	1,236	1,766	2,472	3.2	8.9
	7	12	-	-	19	7,459	12,788	-	-	12,148	3.56	20,247	5.93	23,284	6.82	1,272	1,818	2,545	3.3	9.1
	9	12	-	-	21	9,591	12,788	-	-	13,427	3.94	22,378	6.56	25,735	7.54	1,366	1,952	2,580	3.4	9.4
	9	15	-	-	24	8,719	14,531	-	-	13,950	4.09	23,250	6.81	26,738	7.84	1,403	2,004	2,580	3.4	9.5
	12	12	-	-	24	11,625	11,625	-	-	13,950	4.09	23,250	6.81	26,738	7.84	1,403	2,004	2,580	3.4	9.5
	7	18	-	-	25	6,510	16,740	-	-	13,950	4.09	23,250	6.81	26,738	7.84	1,403	2,004	2,580	3.4	9.5
	9	18	-	-	27	7,750	15,500	-	-	13,950	4.09	23,250	6.81	26,738	7.84	1,403	2,004	2,580	3.4	9.5
	12	15	-	-	27	10,333	12,917	-	-	13,950	4.09	23,250	6.81	26,738	7.84	1,403	2,004	2,580	3.4	9.5
	12	18	-	-	30	9,300	13,950	-	-	13,950	4.09	23,250	6.81	26,738	7.84	1,403	2,004	2,580	3.4	9.5
	15	18	-	-	33	10,568	12,682	-	-	13,950	4.09	23,250	6.81	26,738	7.84	1,403	2,004	2,580	3.4	9.5
9	24*	-	-	33	6,341	16,909	-	-	13,950	4.09	23,250	6.81	26,738	7.84	1,403	2,004	2,580	3.4	9.5	
Three Units	7	7	9	-	23	7,076	7,076	9,098	-	13,950	4.09	23,250	6.81	27,900	8.18	1,301	1,859	2,603	3.7	10.2
	7	9	9	-	25	6,510	8,370	8,370	-	13,950	4.09	23,250	6.81	27,900	8.18	1,301	1,859	2,603	3.7	10.2
	7	7	12	-	26	6,260	6,260	10,731	-	13,950	4.09	23,250	6.81	27,900	8.18	1,301	1,859	2,603	3.7	10.2
	9	9	9	-	27	7,750	7,750	7,750	-	13,950	4.09	23,250	6.81	27,900	8.18	1,301	1,859	2,603	3.7	10.2
	7	9	12	-	28	5,813	7,473	9,964	-	13,950	4.09	23,250	6.81	27,900	8.18	1,301	1,859	2,603	3.7	10.2
	9	9	12	-	30	6,975	6,975	9,300	-	13,950	4.09	23,250	6.81	27,900	8.18	1,301	1,859	2,603	3.7	10.2
	7	9	15	-	31	5,250	6,750	11,250	-	13,950	4.09	23,250	6.81	27,900	8.18	1,301	1,859	2,603	3.7	10.2
	7	12	12	-	31	5,250	9,000	9,000	-	13,950	4.09	23,250	6.81	27,900	8.18	1,301	1,859	2,603	3.7	10.2
	7	7	18	-	32	5,086	5,086	13,078	-	13,950	4.09	23,250	6.81	27,900	8.18	1,301	1,859	2,603	3.7	10.2
	9	9	15	-	33	6,341	6,341	10,568	-	13,950	4.09	23,250	6.81	27,900	8.18	1,301	1,859	2,603	3.7	10.2
	9	12	12	-	33	6,341	8,455	8,455	-	13,950	4.09	23,250	6.81	27,900	8.18	1,301	1,859	2,603	3.7	10.2

¹Capacity as rated:

0 ft. above sea level with 25 ft. of refrigerant piping.
0 ft. level difference between outdoor and indoor units.

²Heating capacity rating obtained with air entering the indoor unit at 70°F dry bulb (DB) and 60°F wet bulb (WB), and outdoor ambient conditions of 47°F dry bulb (DB) and 43°F wet bulb (WB).

³Wiring cable size must comply with the applicable local and national codes.

⁴The specification may be subject to change without prior notice for purpose of improvement.

⁵At least two indoor units should be connected.

*The indoor unit must be non ducted type.

PERFORMANCE DATA

Rated Heating Combination Tables

MULTI F MULTI F MAX

Table 27: LMU36CHV with Non-Ducted Indoor Units — Rated Heating Combination Table.

No. of Indoor Units	Indoor Unit Combination (kBtu/h)					Room Capacity				Total Capacity						Input (W)			COP	HSPF
	IDU 1	IDU 2	IDU 3	IDU 4	Total	Unit 1 (Btu/h)	Unit 2 (Btu/h)	Unit 3 (Btu/h)	Unit 4 (Btu/h)	Minimum		Rated		Maximum		Min.	Rated	Max.		
										Btu/h	kW	Btu/h	kW	Btu/h	kW					
Non-Ducted Indoor Units																				
Two Units	7	7	-	-	14	7,700	7,700	-	-	9,240	2.71	15,400	4.51	16,940	4.96	1,127	1,610	2,254	2.8	7.3
	7	9	-	-	16	7,700	9,900	-	-	10,560	3.09	17,600	5.16	19,360	5.67	1,246	1,780	2,492	2.9	7.5
	9	9	-	-	18	9,900	9,900	-	-	11,880	3.48	19,800	5.80	21,780	6.38	1,379	1,970	2,758	2.9	7.6
	7	12	-	-	19	7,700	13,200	-	-	12,540	3.68	20,900	6.13	22,990	6.74	1,435	2,050	2,870	3.0	7.8
	9	12	-	-	21	9,900	13,200	-	-	13,860	4.06	23,100	6.77	25,410	7.45	1,554	2,220	3,108	3.0	7.9
	7	15	-	-	22	7,700	16,500	-	-	14,520	4.26	24,200	7.09	26,620	7.80	1,603	2,290	3,206	3.1	8.0
	9	15	-	-	24	9,900	16,500	-	-	15,840	4.64	26,400	7.74	29,040	8.51	1,701	2,430	3,402	3.2	8.3
	12	12	-	-	24	13,200	13,200	-	-	15,840	4.64	26,400	7.74	29,040	8.51	1,701	2,430	3,402	3.2	8.3
	7	18	-	-	25	7,700	19,800	-	-	16,500	4.84	27,500	8.06	30,250	8.87	1,757	2,510	3,514	3.2	8.3
	9	18	-	-	27	9,900	19,800	-	-	17,820	5.22	29,700	8.70	32,670	9.58	1,869	2,670	3,738	3.3	8.5
	12	15	-	-	27	13,200	16,500	-	-	17,820	5.22	29,700	8.70	32,670	9.58	1,869	2,670	3,738	3.3	8.5
	12	18	-	-	30	13,200	19,800	-	-	19,800	5.80	33,000	9.67	36,300	10.64	2,016	2,880	4,032	3.4	8.7
	15	15	-	-	30	16,500	16,500	-	-	19,800	5.80	33,000	9.67	36,300	10.64	2,016	2,880	4,032	3.4	8.7
	7	24	-	-	31	7,700	26,400	-	-	20,460	6.00	34,100	9.99	37,510	10.99	2,058	2,940	4,116	3.4	8.8
	9	24	-	-	33	9,818	26,182	-	-	21,600	6.33	36,000	10.55	39,600	11.61	2,107	3,010	4,214	3.5	9.1
	15	18	-	-	33	16,364	19,636	-	-	21,600	6.33	36,000	10.55	39,600	11.61	2,107	3,010	4,214	3.5	9.1
	18	18	-	-	36	18,000	18,000	-	-	21,600	6.33	36,000	10.55	39,600	11.61	2,107	3,010	4,214	3.5	9.1
	12	24	-	-	36	12,000	24,000	-	-	21,600	6.33	36,000	10.55	39,600	11.61	2,107	3,010	4,214	3.5	9.1
	15	24	-	-	39	13,846	22,154	-	-	21,600	6.33	36,000	10.55	39,600	11.61	2,107	3,010	4,214	3.5	9.1
	18	24	-	-	42	15,429	20,571	-	-	21,600	6.33	36,000	10.55	39,600	11.61	2,107	3,010	4,214	3.5	9.1
24	24	-	-	48	18,000	18,000	-	-	21,600	6.33	36,000	10.55	39,600	11.61	2,107	3,010	4,214	3.5	9.1	
Three Units	7	7	7	-	21	7,700	7,700	7,700	-	13,860	4.06	23,100	6.77	26,565	7.79	1,512	2,160	3,024	3.1	8.1
	7	7	9	-	23	7,700	7,700	9,900	-	15,180	4.45	25,300	7.42	29,095	8.53	1,617	2,310	3,234	3.2	8.3
	7	9	9	-	25	7,700	9,900	9,900	-	16,500	4.84	27,500	8.06	31,625	9.27	1,729	2,470	3,458	3.3	8.5
	7	7	12	-	26	7,700	7,700	13,200	-	17,160	5.03	28,600	8.38	32,890	9.64	1,757	2,510	3,514	3.3	8.7
	9	9	9	-	27	9,900	9,900	9,900	-	17,820	5.22	29,700	8.70	34,155	10.01	1,785	2,550	3,570	3.4	8.9
	7	9	12	-	28	7,700	9,900	13,200	-	18,480	5.42	30,800	9.03	35,420	10.38	1,820	2,600	3,640	3.5	9.0
	7	7	15	-	29	7,700	7,700	16,500	-	19,140	5.61	31,900	9.35	36,685	10.75	1,855	2,650	3,710	3.5	9.2
	9	9	12	-	30	9,900	9,900	13,200	-	19,800	5.80	33,000	9.67	37,950	11.12	1,897	2,710	3,794	3.6	9.3
	7	9	15	-	31	7,700	9,900	16,500	-	20,460	6.00	34,100	9.99	39,215	11.49	1,939	2,770	3,878	3.6	9.4
	7	12	12	-	31	7,700	13,200	13,200	-	20,460	6.00	34,100	9.99	39,215	11.49	1,939	2,770	3,878	3.6	9.4
	7	7	18	-	32	7,700	7,700	19,800	-	21,120	6.19	35,200	10.32	40,480	11.86	1,981	2,830	3,962	3.6	9.5
	9	9	15	-	33	9,818	9,818	16,364	-	21,600	6.33	36,000	10.55	41,400	12.13	1,981	2,830	3,962	3.7	9.7
	9	12	12	-	33	9,818	13,091	13,091	-	21,600	6.33	36,000	10.55	41,400	12.13	1,981	2,830	3,962	3.7	9.7
	7	9	18	-	34	7,412	9,529	19,059	-	21,600	6.33	36,000	10.55	41,400	12.13	1,981	2,830	3,962	3.7	9.7
	7	12	15	-	34	7,412	12,706	15,882	-	21,600	6.33	36,000	10.55	41,400	12.13	1,981	2,830	3,962	3.7	9.7
	9	9	18	-	36	9,000	9,000	18,000	-	21,600	6.33	36,000	10.55	41,400	12.13	1,981	2,830	3,962	3.7	9.7
	9	12	15	-	36	9,000	12,000	15,000	-	21,600	6.33	36,000	10.55	41,400	12.13	1,981	2,830	3,962	3.7	9.7
	12	12	12	-	36	12,000	12,000	12,000	-	21,600	6.33	36,000	10.55	41,400	12.13	1,981	2,830	3,962	3.7	9.7
	7	12	18	-	37	6,811	11,676	17,514	-	21,600	6.33	36,000	10.55	41,400	12.13	1,981	2,830	3,962	3.7	9.7
	7	15	15	-	37	6,811	14,595	14,595	-	21,600	6.33	36,000	10.55	41,400	12.13	1,981	2,830	3,962	3.7	9.7
7	7	24	-	38	6,632	6,632	22,737	-	21,600	6.33	36,000	10.55	41,400	12.13	1,981	2,830	3,962	3.7	9.7	
9	12	18	-	39	8,308	11,077	16,615	-	21,600	6.33	36,000	10.55	41,400	12.13	1,981	2,830	3,962	3.7	9.7	
9	15	15	-	39	8,308	13,846	13,846	-	21,600	6.33	36,000	10.55	41,400	12.13	1,981	2,830	3,962	3.7	9.7	
12	12	15	-	39	11,077	11,077	13,846	-	21,600	6.33	36,000	10.55	41,400	12.13	1,981	2,830	3,962	3.7	9.7	
7	9	24	-	40	6,300	8,100	21,600	-	21,600	6.33	36,000	10.55	41,400	12.13	1,981	2,830	3,962	3.7	9.7	
7	15	18	-	40	6,300	13,500	16,200	-	21,600	6.33	36,000	10.55	41,400	12.13	1,981	2,830	3,962	3.7	9.7	
9	9	24	-	42	7,714	7,714	20,571	-	21,600	6.33	36,000	10.55	41,400	12.13	1,981	2,830	3,962	3.7	9.7	
9	15	18	-	42	7,714	12,857	15,429	-	21,600	6.33	36,000	10.55	41,400	12.13	1,981	2,830	3,962	3.7	9.7	

¹Capacity as rated:

0 ft. above sea level with 25 ft. of refrigerant piping.
0 ft. level difference between outdoor and indoor units.

³Wiring cable size must comply with the applicable local and national codes.

²Heating capacity rating obtained with air entering the indoor unit at 70°F dry bulb (DB) and 60°F wet bulb (WB), and outdoor ambient conditions of 47°F dry bulb (DB) and 43°F wet bulb (WB).

⁴The specification may be subject to change without prior notice for purpose of improvement.

⁵At least two indoor units should be connected.

Table 28: LMU36CHV with Non-Ducted Indoor Units — Rated Heating Combination Table.

No. of Indoor Units	Indoor Unit Combination (kBtu/h)					Room Capacity				Total Capacity						Input (W)			COP	HSPF	
	IDU 1	IDU 2	IDU 3	IDU 4	Total	Unit 1 (Btu/h)	Unit 2 (Btu/h)	Unit 3 (Btu/h)	Unit 4 (Btu/h)	Minimum		Rated		Maximum		Min.	Rated	Max.			
										Btu/h	kW	Btu/h	kW	Btu/h	kW						
<i>Non-Ducted Indoor Units</i>																					
Three Units	12	12	18	-	42	10,286	10,286	15,429	-	21,600	6.33	36,000	10.55	41,400	12.13	1,981	2,830	3,962	3.7	9.7	
	12	15	15	-	42	10,286	12,857	12,857	-	21,600	6.33	36,000	10.55	41,400	12.13	1,981	2,830	3,962	3.7	9.7	
	7	12	24	-	43	5,860	10,047	20,093	-	21,600	6.33	36,000	10.55	41,400	12.13	1,981	2,830	3,962	3.7	9.7	
	7	18	18	-	43	5,860	15,070	15,070	-	21,600	6.33	36,000	10.55	41,400	12.13	1,981	2,830	3,962	3.7	9.7	
	9	12	24	-	45	7,200	9,600	19,200	-	21,600	6.33	36,000	10.55	41,400	12.13	1,981	2,830	3,962	3.7	9.7	
	9	18	18	-	45	7,200	14,400	14,400	-	21,600	6.33	36,000	10.55	41,400	12.13	1,981	2,830	3,962	3.7	9.7	
	12	15	18	-	45	9,600	12,000	14,400	-	21,600	6.33	36,000	10.55	41,400	12.13	1,981	2,830	3,962	3.7	9.7	
	15	15	15	-	45	12,000	12,000	12,000	-	21,600	6.33	36,000	10.55	41,400	12.13	1,981	2,830	3,962	3.7	9.7	
	7	15	24	-	46	5,478	11,739	18,783	-	21,600	6.33	36,000	10.55	41,400	12.13	1,981	2,830	3,962	3.7	9.7	
	9	15	24	-	48	6,750	11,250	18,000	-	21,600	6.33	36,000	10.55	41,400	12.13	1,981	2,830	3,962	3.7	9.7	
	12	12	24	-	48	9,000	9,000	18,000	-	21,600	6.33	36,000	10.55	41,400	12.13	1,981	2,830	3,962	3.7	9.7	
	12	18	18	-	48	9,000	13,500	13,500	-	21,600	6.33	36,000	10.55	41,400	12.13	1,981	2,830	3,962	3.7	9.7	
	15	15	18	-	48	11,250	11,250	13,500	-	21,600	6.33	36,000	10.55	41,400	12.13	1,981	2,830	3,962	3.7	9.7	
	Four Units	7	7	7	7	28	7,700	7,700	7,700	7,700	18,480	5.42	30,800	9.03	36,960	10.83	1,827	2,610	3,654	3.5	9.0
		7	7	7	9	30	7,700	7,700	7,700	9,900	19,800	5.80	33,000	9.67	39,600	11.61	1,883	2,690	3,766	3.6	9.3
7		7	9	9	32	7,700	7,700	9,900	9,900	21,120	6.19	35,200	10.32	41,600	12.19	1,918	2,740	3,836	3.8	9.8	
7		7	7	12	33	7,636	7,636	7,636	13,091	21,600	6.33	36,000	10.55	41,600	12.19	1,918	2,740	3,836	3.9	10.0	
7		9	9	9	34	7,412	9,529	9,529	9,529	21,600	6.33	36,000	10.55	41,600	12.19	1,918	2,740	3,836	3.9	10.0	
7		7	9	12	35	7,200	7,200	9,257	12,343	21,600	6.33	36,000	10.55	41,600	12.19	1,918	2,740	3,836	3.9	10.0	
7		7	7	15	36	7,000	7,000	7,000	15,000	21,600	6.33	36,000	10.55	41,600	12.19	1,918	2,740	3,836	3.9	10.0	
9		9	9	9	36	9,000	9,000	9,000	9,000	21,600	6.33	36,000	10.55	41,600	12.19	1,918	2,740	3,836	3.9	10.0	
7		9	9	12	37	6,811	8,757	8,757	11,676	21,600	6.33	36,000	10.55	41,600	12.19	1,918	2,740	3,836	3.9	10.0	
7		7	9	15	38	6,632	6,632	8,526	14,211	21,600	6.33	36,000	10.55	41,600	12.19	1,918	2,740	3,836	3.9	10.0	
7		7	12	12	38	6,632	6,632	11,368	11,368	21,600	6.33	36,000	10.55	41,600	12.19	1,918	2,740	3,836	3.9	10.0	
7		7	7	18	39	6,462	6,462	6,462	16,615	21,600	6.33	36,000	10.55	41,600	12.19	1,918	2,740	3,836	3.9	10.0	
9		9	9	12	39	8,308	8,308	8,308	11,077	21,600	6.33	36,000	10.55	41,600	12.19	1,918	2,740	3,836	3.9	10.0	
7		9	9	15	40	6,300	8,100	8,100	13,500	21,600	6.33	36,000	10.55	41,600	12.19	1,918	2,740	3,836	3.9	10.0	
7		9	12	12	40	6,300	8,100	10,800	10,800	21,600	6.33	36,000	10.55	41,600	12.19	1,918	2,740	3,836	3.9	10.0	
7		7	9	18	41	6,146	6,146	7,902	15,805	21,600	6.33	36,000	10.55	41,600	12.19	1,918	2,740	3,836	3.9	10.0	
7		7	12	15	41	6,146	6,146	10,537	13,171	21,600	6.33	36,000	10.55	41,600	12.19	1,918	2,740	3,836	3.9	10.0	
9		9	9	15	42	7,714	7,714	7,714	12,857	21,600	6.33	36,000	10.55	41,600	12.19	1,918	2,740	3,836	3.9	10.0	
9		9	12	12	42	7,714	7,714	10,286	10,286	21,600	6.33	36,000	10.55	41,600	12.19	1,918	2,740	3,836	3.9	10.0	
7		9	9	18	43	5,860	7,535	7,535	15,070	21,600	6.33	36,000	10.55	41,600	12.19	1,918	2,740	3,836	3.9	10.0	
7		9	12	15	43	5,860	7,535	10,047	12,558	21,600	6.33	36,000	10.55	41,600	12.19	1,918	2,740	3,836	3.9	10.0	
7		12	12	12	43	5,860	10,047	10,047	10,047	21,600	6.33	36,000	10.55	41,600	12.19	1,918	2,740	3,836	3.9	10.0	
7		7	12	18	44	5,727	5,727	9,818	14,727	21,600	6.33	36,000	10.55	41,600	12.19	1,918	2,740	3,836	3.9	10.0	
7		7	15	15	44	5,727	5,727	12,273	12,273	21,600	6.33	36,000	10.55	41,600	12.19	1,918	2,740	3,836	3.9	10.0	
7		7	7	24	45	5,600	5,600	5,600	19,200	21,600	6.33	36,000	10.55	41,600	12.19	1,918	2,740	3,836	3.9	10.0	
9		9	9	18	45	7,200	7,200	7,200	14,400	21,600	6.33	36,000	10.55	41,600	12.19	1,918	2,740	3,836	3.9	10.0	
9		9	12	15	45	7,200	7,200	9,600	12,000	21,600	6.33	36,000	10.55	41,600	12.19	1,918	2,740	3,836	3.9	10.0	
9		12	12	12	45	7,200	9,600	9,600	9,600	21,600	6.33	36,000	10.55	41,600	12.19	1,918	2,740	3,836	3.9	10.0	
7		9	12	18	46	5,478	7,043	9,391	14,087	21,600	6.33	36,000	10.55	41,600	12.19	1,918	2,740	3,836	3.9	10.0	
7		9	15	15	46	5,478	7,043	11,739	11,739	21,600	6.33	36,000	10.55	41,600	12.19	1,918	2,740	3,836	3.9	10.0	
7	12	12	15	46	5,478	9,391	9,391	11,739	21,600	6.33	36,000	10.55	41,600	12.19	1,918	2,740	3,836	3.9	10.0		
7	7	9	24	47	5,362	5,362	6,894	18,383	21,600	6.33	36,000	10.55	41,600	12.19	1,918	2,740	3,836	3.9	10.0		
7	7	15	18	47	5,362	5,362	11,489	13,787	21,600	6.33	36,000	10.55	41,600	12.19	1,918	2,740	3,836	3.9	10.0		
9	9	12	18	48	6,750	6,750	9,000	13,500	21,600	6.33	36,000	10.55	41,600	12.19	1,918	2,740	3,836	3.9	10.0		
9	9	15	15	48	6,750	6,750	11,250	11,250	21,600	6.33	36,000	10.55	41,600	12.19	1,918	2,740	3,836	3.9	10.0		
12	12	12	12	48	9,000	9,000	9,000	9,000	21,600	6.33	36,000	10.55	41,600	12.19	1,918	2,740	3,836	3.9	10.0		

¹Capacity as rated:

0 ft. above sea level with 25 ft. of refrigerant piping.
0 ft. level difference between outdoor and indoor units.

³Wiring cable size must comply with the applicable local and national codes.

²Heating capacity rating obtained with air entering the indoor unit at 70°F dry bulb (DB) and 60°F wet bulb (WB), and outdoor ambient conditions of 47°F dry bulb (DB) and 43°F wet bulb (WB).

⁴The specification may be subject to change without prior notice for purpose of improvement.

⁵At least two indoor units should be connected.



PERFORMANCE DATA

Rated Heating Combination Tables

MULTI F MULTI F MAX

Table 29: LMU36CHV with Ducted Indoor Units — Rated Heating Combination Table.

No. of Indoor Units	Indoor Unit Combination (kBtu/h)					Room Capacity				Total Capacity						Input (W)			COP	HSPF
	IDU 1	IDU 2	IDU 3	IDU 4	Total	Unit 1 (Btu/h)	Unit 2 (Btu/h)	Unit 3 (Btu/h)	Unit 4 (Btu/h)	Minimum		Rated		Maximum		Min.	Rated	Max.		
										Btu/h	kW	Btu/h	kW	Btu/h	kW					
<i>Ducted Indoor Units</i>																				
Two Units	9	9	-	-	18	9,350	9,350	-	-	11,220	3.3	18,700	5.5	20,570	6.0	1,426	2,037	2,852	2.7	7.4
	9	12	-	-	21	9,350	12,467	-	-	13,090	3.8	21,817	6.4	23,998	7.0	1,607	2,295	3,213	2.8	7.7
	12	12	-	-	24	12,467	12,467	-	-	14,960	4.4	24,933	7.3	27,427	8.0	1,759	2,512	3,517	2.9	8.0
	9	18	-	-	27	9,350	18,700	-	-	16,830	4.9	28,050	8.2	30,855	9.0	1,932	2,761	3,865	3.0	8.2
	12	18	-	-	30	12,467	18,700	-	-	18,700	5.5	31,167	9.1	34,283	10.0	2,084	2,978	4,169	3.1	8.5
	9	24*	-	-	33	9,273	24,727	-	-	20,400	6.0	34,000	10.0	37,400	11.0	2,179	3,112	4,357	3.2	8.8
	18	18	-	-	36	17,000	17,000	-	-	20,400	6.0	34,000	10.0	37,400	11.0	2,179	3,112	4,357	3.2	8.8
Three Units	12	24*	-	-	36	11,333	22,667	-	-	20,400	6.0	34,000	10.0	37,400	11.0	2,179	3,112	4,357	3.2	8.8
	9	9	9	-	27	9,350	9,350	9,350	-	16,830	4.9	28,050	8.2	32,258	9.5	1,846	2,637	3,691	3.1	8.6
	9	9	12	-	30	9,350	9,350	12,467	-	18,700	5.5	31,167	9.1	35,842	10.5	1,961	2,802	3,923	3.3	9.0
	9	12	12	-	33	9,273	12,364	12,364	-	20,400	6.0	34,000	10.0	39,100	11.5	2,048	2,926	4,096	3.4	9.4
	9	9	18	-	36	8,500	8,500	17,000	-	20,400	6.0	34,000	10.0	39,100	11.5	2,048	2,926	4,096	3.4	9.4
	12	12	12	-	36	11,333	11,333	11,333	-	20,400	6.0	34,000	10.0	39,100	11.5	2,048	2,926	4,096	3.4	9.4
	9	12	18	-	39	7,846	10,462	15,692	-	20,400	6.0	34,000	10.0	39,100	11.5	2,048	2,926	4,096	3.4	9.4
	12	12	18	-	42	9,714	9,714	14,571	-	20,400	6.0	34,000	10.0	39,100	11.5	2,048	2,926	4,096	3.4	9.4
	9	18	18	-	45	6,800	13,600	13,600	-	20,400	6.0	34,000	10.0	39,100	11.5	2,048	2,926	4,096	3.4	9.4
Four Units	12	18	18	-	48	8,500	12,750	12,750	-	20,400	6.0	34,000	10.0	39,100	11.5	2,048	2,926	4,096	3.4	9.4
	9	9	9	9	36	8,500	8,500	8,500	8,500	20,400	6.0	34,000	10.0	41,600	12.2	1,983	2,833	3,966	3.5	9.7
	9	9	9	12	39	7,846	7,846	7,846	10,462	20,400	6.0	34,000	10.0	41,600	12.2	1,983	2,833	3,966	3.5	9.7
	9	9	12	12	42	7,286	7,286	9,714	9,714	20,400	6.0	34,000	10.0	41,600	12.2	1,983	2,833	3,966	3.5	9.7
	9	9	9	18	45	6,800	6,800	6,800	13,600	20,400	6.0	34,000	10.0	41,600	12.2	1,983	2,833	3,966	3.5	9.7
	9	12	12	12	45	6,800	9,067	9,067	9,067	20,400	6.0	34,000	10.0	41,600	12.2	1,983	2,833	3,966	3.5	9.7
	9	9	12	18	48	6,375	6,375	8,500	12,750	20,400	6.0	34,000	10.0	41,600	12.2	1,983	2,833	3,966	3.5	9.7
12	12	12	12	48	8,500	8,500	8,500	8,500	20,400	6.0	34,000	10.0	41,600	12.2	1,983	2,833	3,966	3.5	9.7	

¹Capacity as rated: 0 ft. above sea level with 25 ft. of refrigerant piping. 0 ft. level difference between outdoor and indoor units.

²Heating capacity rating obtained with air entering the indoor unit at 70°F dry bulb (DB) and 60°F wet bulb (WB), and outdoor ambient conditions of 47°F dry bulb (DB) and 43°F wet bulb (WB).

³Wiring cable size must comply with the applicable local and national codes.

⁴The specification may be subject to change without prior notice for purpose of improvement.

⁵At least two indoor units should be connected.

*A 1.3 multiplier is necessary for the calculation of total combination.

Table 30: LMU36CHV with Mixed Indoor Units — Rated Heating Combination Table.

No. of Indoor Units	Indoor Unit Combination (kBtu/h)					Room Capacity				Total Capacity						Input (W)			COP	HSPF
	IDU 1	IDU 2	IDU 3	IDU 4	Total	Unit 1 (Btu/h)	Unit 2 (Btu/h)	Unit 3 (Btu/h)	Unit 4 (Btu/h)	Minimum		Rated		Maximum		Min.	Rated	Max.		
										Btu/h	kW	Btu/h	kW	Btu/h	kW					
<i>Mixed Indoor Units</i>																				
Two Units	7	9	-	-	16	7,486	9,625	-	-	10,267	3.0	17,111	5.0	18,822	5.5	1,267	1,810	2,534	2.8	7.4
	9	9	-	-	18	9,625	9,625	-	-	11,550	3.4	19,250	5.6	21,175	6.2	1,402	2,003	2,805	2.8	7.5
	7	12	-	-	19	7,486	12,833	-	-	12,192	3.6	20,319	6.0	22,351	6.6	1,459	2,085	2,919	2.9	7.6
	9	12	-	-	21	9,625	12,833	-	-	13,475	3.9	22,458	6.6	24,704	7.2	1,580	2,258	3,161	2.9	7.8
	9	15	-	-	24	9,625	16,042	-	-	15,400	4.5	25,667	7.5	28,233	8.3	1,730	2,471	3,460	3.0	8.1
	12	12	-	-	24	12,833	12,833	-	-	15,400	4.5	25,667	7.5	28,233	8.3	1,730	2,471	3,460	3.0	8.1
	7	18	-	-	25	7,486	19,250	-	-	16,042	4.7	26,736	7.8	29,410	8.6	1,787	2,553	3,574	3.1	8.2
	9	18	-	-	27	9,625	19,250	-	-	17,325	5.1	28,875	8.5	31,763	9.3	1,901	2,715	3,801	3.1	8.3
	12	15	-	-	27	12,833	16,042	-	-	17,325	5.1	28,875	8.5	31,763	9.3	1,901	2,715	3,801	3.1	8.3
	12	18	-	-	30	12,833	19,250	-	-	19,250	5.6	32,083	9.4	35,292	10.3	2,050	2,929	4,100	3.2	8.6
	7	24	-	-	31	7,486	25,667	-	-	19,892	5.8	33,153	9.7	36,468	10.7	2,093	2,990	4,186	3.2	8.7
	9	24	-	-	33	9,545	25,455	-	-	21,000	6.2	35,000	10.3	38,500	11.3	2,143	3,061	4,286	3.4	9.0
	15	18	-	-	33	15,909	19,091	-	-	21,000	6.2	35,000	10.3	38,500	11.3	2,143	3,061	4,286	3.4	9.0
	18	18	-	-	36	17,500	17,500	-	-	21,000	6.2	35,000	10.3	38,500	11.3	2,143	3,061	4,286	3.4	9.0
	12	24	-	-	36	11,667	23,333	-	-	21,000	6.2	35,000	10.3	38,500	11.3	2,143	3,061	4,286	3.4	9.0
	15	24	-	-	39	13,462	21,538	-	-	21,000	6.2	35,000	10.3	38,500	11.3	2,143	3,061	4,286	3.4	9.0
	18	24*	-	-	42	15,000	20,000	-	-	21,000	6.2	35,000	10.3	38,500	11.3	2,143	3,061	4,286	3.4	9.0
	24	24*	-	-	48	17,500	17,500	-	-	21,000	6.2	35,000	10.3	38,500	11.3	2,143	3,061	4,286	3.4	9.0
Three Units	7	7	9	-	23	7,486	7,486	9,625	-	14,758	4.3	24,597	7.2	28,287	8.3	1,644	2,349	3,289	3.1	8.2
	7	9	9	-	25	7,486	9,625	9,625	-	16,042	4.7	26,736	7.8	30,747	9.0	1,758	2,512	3,517	3.1	8.3
	7	7	12	-	26	7,486	7,486	12,833	-	16,683	4.9	27,806	8.1	31,976	9.4	1,787	2,553	3,574	3.2	8.5
	9	9	9	-	27	9,625	9,625	9,625	-	17,325	5.1	28,875	8.5	33,206	9.7	1,815	2,593	3,631	3.3	8.7
	7	9	12	-	28	7,486	9,625	12,833	-	17,967	5.3	29,944	8.8	34,436	10.1	1,851	2,644	3,702	3.3	8.9
	9	9	12	-	30	9,625	9,625	12,833	-	19,250	5.6	32,083	9.4	36,896	10.8	1,929	2,756	3,858	3.4	9.1
	7	9	15	-	31	7,486	9,625	16,042	-	19,892	5.8	33,153	9.7	38,126	11.2	1,972	2,817	3,944	3.4	9.2
	7	12	12	-	31	7,486	12,833	12,833	-	19,892	5.8	33,153	9.7	38,126	11.2	1,972	2,817	3,944	3.4	9.2
	7	7	18	-	32	7,486	7,486	19,250	-	20,533	6.0	34,222	10.0	39,356	11.5	2,015	2,878	4,029	3.5	9.3
	9	9	15	-	33	9,545	9,545	15,909	-	21,000	6.2	35,000	10.3	40,250	11.8	2,015	2,878	4,029	3.6	9.5
	9	12	12	-	33	9,545	12,727	12,727	-	21,000	6.2	35,000	10.3	40,250	11.8	2,015	2,878	4,029	3.6	9.5
	7	9	18	-	34	7,206	9,265	18,529	-	21,000	6.2	35,000	10.3	40,250	11.8	2,015	2,878	4,029	3.6	9.5
	7	12	15	-	34	7,206	12,353	15,441	-	21,000	6.2	35,000	10.3	40,250	11.8	2,015	2,878	4,029	3.6	9.5
	9	9	18	-	36	8,750	8,750	17,500	-	21,000	6.2	35,000	10.3	40,250	11.8	2,015	2,878	4,029	3.6	9.5
	9	12	15	-	36	8,750	11,667	14,583	-	21,000	6.2	35,000	10.3	40,250	11.8	2,015	2,878	4,029	3.6	9.5
	12	12	12	-	36	11,667	11,667	11,667	-	21,000	6.2	35,000	10.3	40,250	11.8	2,015	2,878	4,029	3.6	9.5
	7	12	18	-	37	6,622	11,351	17,027	-	21,000	6.2	35,000	10.3	40,250	11.8	2,015	2,878	4,029	3.6	9.5
	7	7	24	-	38	6,447	6,447	22,105	-	21,000	6.2	35,000	10.3	40,250	11.8	2,015	2,878	4,029	3.6	9.5
	9	12	18	-	39	8,077	10,769	16,154	-	21,000	6.2	35,000	10.3	40,250	11.8	2,015	2,878	4,029	3.6	9.5
	9	15	15	-	39	8,077	13,462	13,462	-	21,000	6.2	35,000	10.3	40,250	11.8	2,015	2,878	4,029	3.6	9.5
	12	12	15	-	39	10,769	10,769	13,462	-	21,000	6.2	35,000	10.3	40,250	11.8	2,015	2,878	4,029	3.6	9.5
	7	9	24	-	40	6,125	7,875	21,000	-	21,000	6.2	35,000	10.3	40,250	11.8	2,015	2,878	4,029	3.6	9.5
	7	15	18	-	40	6,125	13,125	15,750	-	21,000	6.2	35,000	10.3	40,250	11.8	2,015	2,878	4,029	3.6	9.5
	9	9	24*	-	42	7,500	7,500	20,000	-	21,000	6.2	35,000	10.3	40,250	11.8	2,015	2,878	4,029	3.6	9.5
	9	15	18	-	42	7,500	12,500	15,000	-	21,000	6.2	35,000	10.3	40,250	11.8	2,015	2,878	4,029	3.6	9.5
12	12	18	-	42	10,000	10,000	15,000	-	21,000	6.2	35,000	10.3	40,250	11.8	2,015	2,878	4,029	3.6	9.5	
12	15	15	-	42	10,000	12,500	12,500	-	21,000	6.2	35,000	10.3	40,250	11.8	2,015	2,878	4,029	3.6	9.5	
7	12	24*	-	43	5,698	9,767	19,535	-	21,000	6.2	35,000	10.3	40,250	11.8	2,015	2,878	4,029	3.6	9.5	
7	18	18	-	43	5,698	14,651	14,651	-	21,000	6.2	35,000	10.3	40,250	11.8	2,015	2,878	4,029	3.6	9.5	
9	12	24*	-	45	7,000	9,333	18,667	-	21,000	6.2	35,000	10.3	40,250	11.8	2,015	2,878	4,029	3.6	9.5	

¹Capacity as rated: 0 ft. above sea level with 25 ft. of refrigerant piping.
0 ft. level difference between outdoor and indoor units.

⁴The specification may be subject to change without prior notice for purpose of improvement.

²Heating capacity rating obtained with air entering the indoor unit at 70°F dry bulb (DB) and 60°F wet bulb (WB), and outdoor ambient conditions of 47°F dry bulb (DB) and 43°F wet bulb (WB).

⁵At least two indoor units should be connected.

³Wiring cable size must comply with the applicable local and national codes.

^{*}The multiplier (1.3) is necessary for the calculation of total combination.



PERFORMANCE DATA

MULTI F MULTI F MAX

Rated Heating Combination Tables

Table 31: LMU36CHV with Mixed Indoor Units — Rated Heating Combination Table.

No. of Indoor Units	Indoor Unit Combination (kBtu/h)					Room Capacity				Total Capacity						Input (W)			COP	HSPF
	IDU 1	IDU 2	IDU 3	IDU 4	Total	Unit 1 (Btu/h)	Unit 2 (Btu/h)	Unit 3 (Btu/h)	Unit 4 (Btu/h)	Minimum		Rated		Maximum		Min.	Rated	Max.		
										Btu/h	kW	Btu/h	kW	Btu/h	kW					
<i>Mixed Indoor Units</i>																				
Three Units	9	18	18	-	45	7,000	14,000	14,000	-	21,000	6.2	35,000	10.3	40,250	11.8	2,015	2,878	4,029	3.6	9.5
	12	15	18	-	45	9,333	11,667	14,000	-	21,000	6.2	35,000	10.3	40,250	11.8	2,015	2,878	4,029	3.6	9.5
	7	15	24*	-	46	5,326	11,413	18,261	-	21,000	6.2	35,000	10.3	40,250	11.8	2,015	2,878	4,029	3.6	9.5
	9	15	24*	-	48	6,563	10,938	17,500	-	21,000	6.2	35,000	10.3	40,250	11.8	2,015	2,878	4,029	3.6	9.5
	12	12	24*	-	48	8,750	8,750	17,500	-	21,000	6.2	35,000	10.3	40,250	11.8	2,015	2,878	4,029	3.6	9.5
	12	18	18	-	48	8,750	13,125	13,125	-	21,000	6.2	35,000	10.3	40,250	11.8	2,015	2,878	4,029	3.6	9.5
	15	15	18	-	48	10,938	10,938	13,125	-	21,000	6.2	35,000	10.3	40,250	11.8	2,015	2,878	4,029	3.6	9.5
Four Units	7	7	7	9	30	7,486	7,486	7,486	9,625	19,250	5.6	32,083	9.4	38,500	11.3	1,915	2,736	3,830	3.4	9.2
	7	7	9	9	32	7,486	7,486	9,625	9,625	20,533	6.0	34,222	10.0	41,600	12.2	1,951	2,787	3,901	3.6	9.6
	7	7	7	12	33	7,424	7,424	7,424	12,727	21,000	6.2	35,000	10.3	41,600	12.2	1,951	2,787	3,901	3.7	9.9
	7	9	9	9	34	7,206	9,265	9,265	9,265	21,000	6.2	35,000	10.3	41,600	12.2	1,951	2,787	3,901	3.7	9.9
	7	7	9	12	35	7,000	7,000	9,000	12,000	21,000	6.2	35,000	10.3	41,600	12.2	1,951	2,787	3,901	3.7	9.9
	9	9	9	9	36	8,750	8,750	8,750	8,750	21,000	6.2	35,000	10.3	41,600	12.2	1,951	2,787	3,901	3.7	9.9
	7	9	9	12	37	6,622	8,514	8,514	11,351	21,000	6.2	35,000	10.3	41,600	12.2	1,951	2,787	3,901	3.7	9.9
	7	7	9	15	38	6,447	6,447	8,289	13,816	21,000	6.2	35,000	10.3	41,600	12.2	1,951	2,787	3,901	3.7	9.9
	7	7	12	12	38	6,447	6,447	11,053	11,053	21,000	6.2	35,000	10.3	41,600	12.2	1,951	2,787	3,901	3.7	9.9
	7	7	7	18	39	6,282	6,282	6,282	16,154	21,000	6.2	35,000	10.3	41,600	12.2	1,951	2,787	3,901	3.7	9.9
	9	9	9	12	39	8,077	8,077	8,077	10,769	21,000	6.2	35,000	10.3	41,600	12.2	1,951	2,787	3,901	3.7	9.9
	7	9	9	15	40	6,125	7,875	7,875	13,125	21,000	6.2	35,000	10.3	41,600	12.2	1,951	2,787	3,901	3.7	9.9
	7	9	12	12	40	6,125	7,875	10,500	10,500	21,000	6.2	35,000	10.3	41,600	12.2	1,951	2,787	3,901	3.7	9.9
	7	7	9	18	41	5,976	5,976	7,683	15,366	21,000	6.2	35,000	10.3	41,600	12.2	1,951	2,787	3,901	3.7	9.9
	7	7	12	15	41	5,976	5,976	10,244	12,805	21,000	6.2	35,000	10.3	41,600	12.2	1,951	2,787	3,901	3.7	9.9
	9	9	9	15	42	7,500	7,500	7,500	12,500	21,000	6.2	35,000	10.3	41,600	12.2	1,951	2,787	3,901	3.7	9.9
	9	9	12	12	42	7,500	7,500	10,000	10,000	21,000	6.2	35,000	10.3	41,600	12.2	1,951	2,787	3,901	3.7	9.9
	7	9	9	18	43	5,698	7,326	7,326	14,651	21,000	6.2	35,000	10.3	41,600	12.2	1,951	2,787	3,901	3.7	9.9
	7	9	12	15	43	5,698	7,326	9,767	12,209	21,000	6.2	35,000	10.3	41,600	12.2	1,951	2,787	3,901	3.7	9.9
	7	12	12	12	43	5,698	9,767	9,767	9,767	21,000	6.2	35,000	10.3	41,600	12.2	1,951	2,787	3,901	3.7	9.9
	7	7	12	18	44	5,568	5,568	9,545	14,318	21,000	6.2	35,000	10.3	41,600	12.2	1,951	2,787	3,901	3.7	9.9
	7	7	7	24*	45	5,444	5,444	5,444	18,667	21,000	6.2	35,000	10.3	41,600	12.2	1,951	2,787	3,901	3.7	9.9
	9	9	9	18	45	7,000	7,000	7,000	14,000	21,000	6.2	35,000	10.3	41,600	12.2	1,951	2,787	3,901	3.7	9.9
	9	9	12	15	45	7,000	7,000	9,333	11,667	21,000	6.2	35,000	10.3	41,600	12.2	1,951	2,787	3,901	3.7	9.9
	9	12	12	12	45	7,000	9,333	9,333	9,333	21,000	6.2	35,000	10.3	41,600	12.2	1,951	2,787	3,901	3.7	9.9
	7	9	12	18	46	5,326	6,848	9,130	13,696	21,000	6.2	35,000	10.3	41,600	12.2	1,951	2,787	3,901	3.7	9.9
	7	9	15	15	46	5,326	6,848	11,413	11,413	21,000	6.2	35,000	10.3	41,600	12.2	1,951	2,787	3,901	3.7	9.9
	7	12	12	15	46	5,326	9,130	9,130	11,413	21,000	6.2	35,000	10.3	41,600	12.2	1,951	2,787	3,901	3.7	9.9
	7	7	9	24*	47	5,213	5,213	6,702	17,872	21,000	6.2	35,000	10.3	41,600	12.2	1,951	2,787	3,901	3.7	9.9
	7	7	15	18	47	5,213	5,213	11,170	13,404	21,000	6.2	35,000	10.3	41,600	12.2	1,951	2,787	3,901	3.7	9.9
	9	9	12	18	48	6,563	6,563	8,750	13,125	21,000	6.2	35,000	10.3	41,600	12.2	1,951	2,787	3,901	3.7	9.9
	9	9	15	15	48	6,563	6,563	10,938	10,938	21,000	6.2	35,000	10.3	41,600	12.2	1,951	2,787	3,901	3.7	9.9
	12	12	12	12	48	8,750	8,750	8,750	8,750	21,000	6.2	35,000	10.3	41,600	12.2	1,951	2,787	3,901	3.7	9.9

¹Capacity as rated: 0 ft. above sea level with 25 ft. of refrigerant piping.
0 ft. level difference between outdoor and indoor units.

²Heating capacity rating obtained with air entering the indoor unit at 70°F dry bulb (DB) and 60°F wet bulb (WB), and outdoor ambient conditions of 47°F dry bulb (DB) and 43°F wet bulb (WB).

³Wiring cable size must comply with the applicable local and national codes.

⁴The specification may be subject to change without prior notice for purpose of improvement.

⁵At least two indoor units should be connected.

⁶The indoor unit must be non ducted type.



Table 32: LMU18CHV Cooling Capacity Table — Non-Ducted Indoor Units.

Connected Indoor Units	Combination Capacity Index	Outdoor Air Temp. (°F DB)	Indoor Air Temp. °F DB / °F WB											
			68 / 57		73 / 61		77 / 64		80 / 67		86 / 72		90 / 75	
			TC	PI	TC	PI	TC	PI	TC	PI	TC	PI	TC	PI
Two (2) Non-Ducted Indoor Units	7 + 7	14	13.72	0.74	14.58	0.77	15.43	0.79	16.04	0.80	17.13	0.82	17.99	0.83
		20	13.71	0.75	14.57	0.78	15.42	0.80	16.03	0.81	17.12	0.83	17.97	0.85
		25	13.70	0.76	14.55	0.79	15.41	0.82	16.02	0.83	17.11	0.84	17.96	0.86
		30	13.69	0.77	14.54	0.80	15.39	0.83	16.01	0.84	17.09	0.85	17.94	0.87
		35	13.68	0.78	14.53	0.81	15.38	0.84	16.00	0.85	17.08	0.86	17.93	0.88
		40	13.67	0.79	14.52	0.82	15.37	0.85	15.98	0.86	17.07	0.88	17.92	0.89
		45	13.66	0.80	14.51	0.83	15.36	0.86	15.97	0.87	17.06	0.89	17.90	0.91
		50	13.65	0.81	14.50	0.84	15.35	0.87	15.96	0.88	17.04	0.90	17.89	0.92
		55	13.64	0.82	14.49	0.85	15.33	0.88	15.95	0.89	17.03	0.91	17.88	0.93
		60	13.63	0.83	14.48	0.86	15.32	0.90	15.93	0.91	17.02	0.92	17.86	0.94
		65	13.62	0.84	14.47	0.88	15.31	0.91	15.92	0.92	17.00	0.93	17.85	0.95
		70	13.61	0.86	14.45	0.89	15.30	0.92	15.91	0.93	16.99	0.95	17.83	0.97
		75	13.28	0.90	14.12	0.93	14.97	0.97	15.58	0.98	16.65	1.00	17.50	1.02
		80	12.95	0.95	13.80	0.98	14.64	1.02	15.24	1.03	16.32	1.05	17.16	1.07
		85	12.63	0.99	13.47	1.03	14.31	1.07	14.91	1.08	15.99	1.10	16.82	1.12
		90	12.30	1.04	13.14	1.08	13.98	1.12	14.58	1.13	15.65	1.15	16.49	1.17
		95	11.95	1.09	12.79	1.13	13.62	1.17	14.00	1.18	15.28	1.20	16.12	1.23
		100	11.66	1.13	12.49	1.17	13.33	1.22	13.82	1.23	14.99	1.25	15.82	1.28
	105	11.37	1.18	12.20	1.22	13.04	1.27	13.64	1.28	14.70	1.30	15.53	1.33	
	110	11.08	1.22	11.91	1.27	12.74	1.32	13.35	1.33	14.41	1.36	15.24	1.38	
	115	10.79	1.27	11.62	1.32	12.45	1.36	13.06	1.38	14.12	1.41	14.95	1.43	
	118	10.61	1.30	11.45	1.35	12.28	1.39	12.88	1.41	13.94	1.44	14.78	1.47	
	122	10.56	1.33	11.39	1.38	12.22	1.43	12.82	1.45	13.89	1.48	14.72	1.51	
	7 + 9	14	15.68	0.78	16.66	0.80	17.63	0.83	18.34	0.84	19.58	0.86	20.56	0.88
		20	15.67	0.79	16.65	0.82	17.62	0.85	18.32	0.86	19.57	0.87	20.54	0.89
		25	15.66	0.80	16.63	0.83	17.61	0.86	18.31	0.87	19.55	0.88	20.52	0.90
		30	15.65	0.81	16.62	0.84	17.59	0.87	18.29	0.88	19.54	0.90	20.51	0.91
		35	15.64	0.82	16.61	0.85	17.58	0.88	18.28	0.89	19.52	0.91	20.49	0.93
		40	15.62	0.83	16.60	0.86	17.57	0.89	18.27	0.90	19.51	0.92	20.48	0.94
		45	15.61	0.84	16.58	0.87	17.55	0.91	18.25	0.92	19.49	0.93	20.46	0.95
		50	15.60	0.85	16.57	0.89	17.54	0.92	18.24	0.93	19.48	0.95	20.45	0.96
		55	15.59	0.87	16.56	0.90	17.53	0.93	18.22	0.94	19.46	0.96	20.43	0.98
		60	15.58	0.88	16.54	0.91	17.51	0.94	18.21	0.95	19.45	0.97	20.41	0.99
		65	15.57	0.89	16.53	0.92	17.50	0.95	18.20	0.96	19.43	0.98	20.40	1.00
		70	15.55	0.90	16.52	0.93	17.49	0.97	18.18	0.98	19.42	0.99	20.38	1.01
		75	15.18	0.95	16.14	0.98	17.11	1.02	17.80	1.03	19.03	1.05	20.00	1.07
80		14.80	1.00	15.77	1.03	16.73	1.07	17.42	1.08	18.65	1.10	19.61	1.12	
85		14.43	1.04	15.39	1.08	16.35	1.12	17.04	1.13	18.27	1.16	19.23	1.18	
90		14.06	1.09	15.02	1.13	15.98	1.17	16.67	1.19	17.89	1.21	18.84	1.23	
95		13.66	1.14	14.61	1.18	15.56	1.23	16.00	1.24	17.47	1.26	18.42	1.29	
100		13.33	1.19	14.28	1.23	15.23	1.28	15.79	1.29	17.13	1.32	18.09	1.34	
105	12.99	1.24	13.95	1.28	14.90	1.33	15.59	1.35	16.80	1.37	17.75	1.40		
110	12.66	1.29	13.61	1.33	14.57	1.38	15.25	1.40	16.47	1.42	17.42	1.45		
115	12.33	1.33	13.28	1.38	14.23	1.43	14.92	1.45	16.14	1.48	17.09	1.51		
118	12.13	1.36	13.08	1.41	14.03	1.47	14.72	1.48	15.94	1.51	16.89	1.54		
122	12.06	1.40	13.02	1.45	13.97	1.51	14.65	1.52	15.87	1.55	16.82	1.58		

TC = Total Capacity (kBtu/h).

PI = Power Input (kW).

Nominal capacity as rated: 0 ft. above sea level with 25 ft. of refrigerant piping.
0 ft. level difference between outdoor and indoor units.

Nominal cooling capacity rating obtained with air entering the indoor unit at 80°F dry bulb (DB) and 67°F wet bulb (WB), and outdoor ambient conditions of 95°F dry bulb (DB) and 75°F wet bulb (WB).

The shaded table rows indicate reference data. When operating at this temperature, these values can be different if the system is not running consistently.

PERFORMANCE DATA

Cooling Capacity Tables

MULTI F
MULTI F MAX

Table 33: LMU18CHV Cooling Capacity Table — Non-Ducted Indoor Units (continued).

Connected Indoor Units	Combination Capacity Index	Outdoor Air Temp. (°F DB)	Indoor Air Temp. °F DB / °F WB											
			68 / 57		73 / 61		77 / 64		80 / 67		86 / 72		90 / 75	
			TC	PI	TC	PI	TC	PI	TC	PI	TC	PI	TC	PI
Two (2) Non-Ducted Indoor Units	9 + 9	14	16.67	0.82	17.70	0.85	18.74	0.88	19.48	0.89	20.80	0.91	21.84	0.93
		20	16.65	0.83	17.69	0.86	18.72	0.89	19.47	0.90	20.79	0.92	21.82	0.94
		25	16.64	0.84	17.67	0.87	18.71	0.91	19.45	0.92	20.77	0.93	21.81	0.95
		30	16.63	0.86	17.66	0.89	18.69	0.92	19.44	0.93	20.76	0.95	21.79	0.97
		35	16.61	0.87	17.65	0.90	18.68	0.93	19.42	0.94	20.74	0.96	21.77	0.98
		40	16.60	0.88	17.63	0.91	18.66	0.94	19.41	0.95	20.73	0.97	21.76	0.99
		45	16.59	0.89	17.62	0.92	18.65	0.96	19.39	0.97	20.71	0.99	21.74	1.01
		50	16.58	0.90	17.61	0.94	18.63	0.97	19.38	0.98	20.69	1.00	21.72	1.02
		55	16.56	0.91	17.59	0.95	18.62	0.98	19.36	0.99	20.68	1.01	21.71	1.03
		60	16.55	0.93	17.58	0.96	18.61	0.99	19.35	1.01	20.66	1.02	21.69	1.05
		65	16.54	0.94	17.57	0.97	18.59	1.01	19.33	1.02	20.65	1.04	21.67	1.06
		70	16.53	0.95	17.55	0.98	18.58	1.02	19.32	1.03	20.63	1.05	21.66	1.07
		75	16.13	1.00	17.15	1.04	18.18	1.07	18.91	1.09	20.22	1.11	21.25	1.13
		80	15.73	1.05	16.75	1.09	17.77	1.13	18.51	1.14	19.81	1.16	20.84	1.19
		85	15.34	1.10	16.35	1.14	17.37	1.19	18.11	1.20	19.41	1.22	20.43	1.25
		90	14.94	1.15	15.96	1.20	16.97	1.24	17.71	1.25	19.01	1.28	20.02	1.30
		95	14.51	1.21	15.52	1.25	16.54	1.30	17.00	1.31	18.56	1.33	19.57	1.36
		100	14.16	1.26	15.17	1.30	16.18	1.35	16.78	1.37	18.20	1.39	19.22	1.42
		105	13.81	1.31	14.82	1.36	15.83	1.41	16.56	1.42	17.85	1.45	18.86	1.48
		110	13.45	1.36	14.46	1.41	15.48	1.46	16.21	1.48	17.50	1.50	18.51	1.53
		115	13.10	1.41	14.11	1.46	15.12	1.52	15.85	1.53	17.14	1.56	18.16	1.59
	118	12.89	1.44	13.90	1.49	14.91	1.55	15.64	1.57	16.93	1.60	17.94	1.63	
	122	12.82	1.48	13.83	1.54	14.84	1.59	15.57	1.61	16.86	1.64	17.87	1.67	
	7 + 12	14	16.67	0.82	17.70	0.85	18.74	0.88	19.48	0.89	20.80	0.91	21.84	0.93
		20	16.65	0.83	17.69	0.86	18.72	0.89	19.47	0.90	20.79	0.92	21.82	0.94
		25	16.64	0.84	17.67	0.87	18.71	0.91	19.45	0.92	20.77	0.93	21.81	0.95
		30	16.63	0.86	17.66	0.89	18.69	0.92	19.44	0.93	20.76	0.95	21.79	0.97
		35	16.61	0.87	17.65	0.90	18.68	0.93	19.42	0.94	20.74	0.96	21.77	0.98
		40	16.60	0.88	17.63	0.91	18.66	0.94	19.41	0.95	20.73	0.97	21.76	0.99
		45	16.59	0.89	17.62	0.92	18.65	0.96	19.39	0.97	20.71	0.99	21.74	1.01
		50	16.58	0.90	17.61	0.94	18.63	0.97	19.38	0.98	20.69	1.00	21.72	1.02
		55	16.56	0.91	17.59	0.95	18.62	0.98	19.36	0.99	20.68	1.01	21.71	1.03
		60	16.55	0.93	17.58	0.96	18.61	0.99	19.35	1.01	20.66	1.02	21.69	1.05
		65	16.54	0.94	17.57	0.97	18.59	1.01	19.33	1.02	20.65	1.04	21.67	1.06
		70	16.53	0.95	17.55	0.98	18.58	1.02	19.32	1.03	20.63	1.05	21.66	1.07
		75	16.13	1.00	17.15	1.04	18.18	1.07	18.91	1.09	20.22	1.11	21.25	1.13
		80	15.73	1.05	16.75	1.09	17.77	1.13	18.51	1.14	19.81	1.16	20.84	1.19
		85	15.34	1.10	16.35	1.14	17.37	1.19	18.11	1.20	19.41	1.22	20.43	1.25
		90	14.94	1.15	15.96	1.20	16.97	1.24	17.71	1.25	19.01	1.28	20.02	1.30
		95	14.51	1.21	15.52	1.25	16.54	1.30	17.00	1.31	18.56	1.33	19.57	1.36
		100	14.16	1.26	15.17	1.30	16.18	1.35	16.78	1.37	18.20	1.39	19.22	1.42
		105	13.81	1.31	14.82	1.36	15.83	1.41	16.56	1.42	17.85	1.45	18.86	1.48
110		13.45	1.36	14.46	1.41	15.48	1.46	16.21	1.48	17.50	1.50	18.51	1.53	
115		13.10	1.41	14.11	1.46	15.12	1.52	15.85	1.53	17.14	1.56	18.16	1.59	
118	12.89	1.44	13.90	1.49	14.91	1.55	15.64	1.57	16.93	1.60	17.94	1.63		
122	12.82	1.48	13.83	1.54	14.84	1.59	15.57	1.61	16.86	1.64	17.87	1.67		

TC = Total Capacity (kBtu/h).

PI = Power Input (kW).

Nominal capacity as rated: 0 ft. above sea level with 25 ft. of refrigerant piping.
0 ft. level difference between outdoor and indoor units.

Nominal cooling capacity rating obtained with air entering the indoor unit at 80°F dry bulb (DB) and 67°F wet bulb (WB), and outdoor ambient conditions of 95°F dry bulb (DB) and 75°F wet bulb (WB).

The shaded table rows indicate reference data. When operating at this temperature, these values can be different if the system is not running consistently.

Multi F and Multi F MAX Heat Pump System Engineering Manual

Table 34: LMU18CHV Cooling Capacity Table — Non-Ducted Indoor Units (continued).

Connected Indoor Units	Combination Capacity Index	Outdoor Air Temp. (°F DB)	Indoor Air Temp. °F DB / °F WB											
			68 / 57		73 / 61		77 / 64		80 / 67		86 / 72		90 / 75	
			TC	PI	TC	PI	TC	PI	TC	PI	TC	PI	TC	PI
Two (2) Non-Ducted Indoor Units	9 + 12	14	16.67	0.82	17.70	0.85	18.74	0.88	19.48	0.89	20.80	0.91	21.84	0.93
		20	16.65	0.83	17.69	0.86	18.72	0.89	19.47	0.90	20.79	0.92	21.82	0.94
		25	16.64	0.84	17.67	0.87	18.71	0.91	19.45	0.92	20.77	0.93	21.81	0.95
		30	16.63	0.86	17.66	0.89	18.69	0.92	19.44	0.93	20.76	0.95	21.79	0.97
		35	16.61	0.87	17.65	0.90	18.68	0.93	19.42	0.94	20.74	0.96	21.77	0.98
		40	16.60	0.88	17.63	0.91	18.66	0.94	19.41	0.95	20.73	0.97	21.76	0.99
		45	16.59	0.89	17.62	0.92	18.65	0.96	19.39	0.97	20.71	0.99	21.74	1.01
		50	16.58	0.90	17.61	0.94	18.63	0.97	19.38	0.98	20.69	1.00	21.72	1.02
		55	16.56	0.91	17.59	0.95	18.62	0.98	19.36	0.99	20.68	1.01	21.71	1.03
		60	16.55	0.93	17.58	0.96	18.61	0.99	19.35	1.01	20.66	1.02	21.69	1.05
		65	16.54	0.94	17.57	0.97	18.59	1.01	19.33	1.02	20.65	1.04	21.67	1.06
		70	16.53	0.95	17.55	0.98	18.58	1.02	19.32	1.03	20.63	1.05	21.66	1.07
		75	16.13	1.00	17.15	1.04	18.18	1.07	18.91	1.09	20.22	1.11	21.25	1.13
		80	15.73	1.05	16.75	1.09	17.77	1.13	18.51	1.14	19.81	1.16	20.84	1.19
		85	15.34	1.10	16.35	1.14	17.37	1.19	18.11	1.20	19.41	1.22	20.43	1.25
		90	14.94	1.15	15.96	1.20	16.97	1.24	17.71	1.25	19.01	1.28	20.02	1.30
		95	14.51	1.21	15.52	1.25	16.54	1.30	17.00	1.31	18.56	1.33	19.57	1.36
		100	14.16	1.26	15.17	1.30	16.18	1.35	16.78	1.37	18.20	1.39	19.22	1.42
	105	13.81	1.31	14.82	1.36	15.83	1.41	16.56	1.42	17.85	1.45	18.86	1.48	
	110	13.45	1.36	14.46	1.41	15.48	1.46	16.21	1.48	17.50	1.50	18.51	1.53	
	115	13.10	1.41	14.11	1.46	15.12	1.52	15.85	1.53	17.14	1.56	18.16	1.59	
	118	12.89	1.44	13.90	1.49	14.91	1.55	15.64	1.57	16.93	1.60	17.94	1.63	
	122	12.82	1.48	13.83	1.54	14.84	1.59	15.57	1.61	16.86	1.64	17.87	1.67	
	7 + 15	14	16.67	0.82	17.70	0.85	18.74	0.88	19.48	0.89	20.80	0.91	21.84	0.93
		20	16.65	0.83	17.69	0.86	18.72	0.89	19.47	0.90	20.79	0.92	21.82	0.94
		25	16.64	0.84	17.67	0.87	18.71	0.91	19.45	0.92	20.77	0.93	21.81	0.95
		30	16.63	0.86	17.66	0.89	18.69	0.92	19.44	0.93	20.76	0.95	21.79	0.97
		35	16.61	0.87	17.65	0.90	18.68	0.93	19.42	0.94	20.74	0.96	21.77	0.98
		40	16.60	0.88	17.63	0.91	18.66	0.94	19.41	0.95	20.73	0.97	21.76	0.99
		45	16.59	0.89	17.62	0.92	18.65	0.96	19.39	0.97	20.71	0.99	21.74	1.01
		50	16.58	0.90	17.61	0.94	18.63	0.97	19.38	0.98	20.69	1.00	21.72	1.02
		55	16.56	0.91	17.59	0.95	18.62	0.98	19.36	0.99	20.68	1.01	21.71	1.03
		60	16.55	0.93	17.58	0.96	18.61	0.99	19.35	1.01	20.66	1.02	21.69	1.05
		65	16.54	0.94	17.57	0.97	18.59	1.01	19.33	1.02	20.65	1.04	21.67	1.06
		70	16.53	0.95	17.55	0.98	18.58	1.02	19.32	1.03	20.63	1.05	21.66	1.07
		75	16.13	1.00	17.15	1.04	18.18	1.07	18.91	1.09	20.22	1.11	21.25	1.13
		80	15.73	1.05	16.75	1.09	17.77	1.13	18.51	1.14	19.81	1.16	20.84	1.19
	85	15.34	1.10	16.35	1.14	17.37	1.19	18.11	1.20	19.41	1.22	20.43	1.25	
	90	14.94	1.15	15.96	1.20	16.97	1.24	17.71	1.25	19.01	1.28	20.02	1.30	
	95	14.51	1.21	15.52	1.25	16.54	1.30	17.00	1.31	18.56	1.33	19.57	1.36	
	100	14.16	1.26	15.17	1.30	16.18	1.35	16.78	1.37	18.20	1.39	19.22	1.42	
	105	13.81	1.31	14.82	1.36	15.83	1.41	16.56	1.42	17.85	1.45	18.86	1.48	
110	13.45	1.36	14.46	1.41	15.48	1.46	16.21	1.48	17.50	1.50	18.51	1.53		
115	13.10	1.41	14.11	1.46	15.12	1.52	15.85	1.53	17.14	1.56	18.16	1.59		
118	12.89	1.44	13.90	1.49	14.91	1.55	15.64	1.57	16.93	1.60	17.94	1.63		
122	12.82	1.48	13.83	1.54	14.84	1.59	15.57	1.61	16.86	1.64	17.87	1.67		

TC = Total Capacity (kBtu/h).

PI = Power Input (kW).

Nominal capacity as rated: 0 ft. above sea level with 25 ft. of refrigerant piping.
0 ft. level difference between outdoor and indoor units.

Nominal cooling capacity rating obtained with air entering the indoor unit at 80°F dry bulb (DB) and 67°F wet bulb (WB), and outdoor ambient conditions of 95°F dry bulb (DB) and 75°F wet bulb (WB).

The shaded table rows indicate reference data. When operating at this temperature, these values can be different if the system is not running consistently.

PERFORMANCE DATA

Cooling Capacity Tables

MULTI F
MULTI F MAX

Table 35: LMU18CHV Cooling Capacity Table — Non-Ducted Indoor Units (continued).

Connected Indoor Units	Combination Capacity Index	Outdoor Air Temp. (°F DB)	Indoor Air Temp. °F DB / °F WB											
			68 / 57		73 / 61		77 / 64		80 / 67		86 / 72		90 / 75	
			TC	PI	TC	PI	TC	PI	TC	PI	TC	PI	TC	PI
Two (2) Non-Ducted Indoor Units	9 + 15	14	16.67	0.82	17.70	0.85	18.74	0.88	19.48	0.89	20.80	0.91	21.84	0.93
		20	16.65	0.83	17.69	0.86	18.72	0.89	19.47	0.90	20.79	0.92	21.82	0.94
		25	16.64	0.84	17.67	0.87	18.71	0.91	19.45	0.92	20.77	0.93	21.81	0.95
		30	16.63	0.86	17.66	0.89	18.69	0.92	19.44	0.93	20.76	0.95	21.79	0.97
		35	16.61	0.87	17.65	0.90	18.68	0.93	19.42	0.94	20.74	0.96	21.77	0.98
		40	16.60	0.88	17.63	0.91	18.66	0.94	19.41	0.95	20.73	0.97	21.76	0.99
		45	16.59	0.89	17.62	0.92	18.65	0.96	19.39	0.97	20.71	0.99	21.74	1.01
		50	16.58	0.90	17.61	0.94	18.63	0.97	19.38	0.98	20.69	1.00	21.72	1.02
		55	16.56	0.91	17.59	0.95	18.62	0.98	19.36	0.99	20.68	1.01	21.71	1.03
		60	16.55	0.93	17.58	0.96	18.61	0.99	19.35	1.01	20.66	1.02	21.69	1.05
		65	16.54	0.94	17.57	0.97	18.59	1.01	19.33	1.02	20.65	1.04	21.67	1.06
		70	16.53	0.95	17.55	0.98	18.58	1.02	19.32	1.03	20.63	1.05	21.66	1.07
		75	16.13	1.00	17.15	1.04	18.18	1.07	18.91	1.09	20.22	1.11	21.25	1.13
		80	15.73	1.05	16.75	1.09	17.77	1.13	18.51	1.14	19.81	1.16	20.84	1.19
		85	15.34	1.10	16.35	1.14	17.37	1.19	18.11	1.20	19.41	1.22	20.43	1.25
		90	14.94	1.15	15.96	1.20	16.97	1.24	17.71	1.25	19.01	1.28	20.02	1.30
		95	14.51	1.21	15.52	1.25	16.54	1.30	17.00	1.31	18.56	1.33	19.57	1.36
		100	14.16	1.26	15.17	1.30	16.18	1.35	16.78	1.37	18.20	1.39	19.22	1.42
	105	13.81	1.31	14.82	1.36	15.83	1.41	16.56	1.42	17.85	1.45	18.86	1.48	
	110	13.45	1.36	14.46	1.41	15.48	1.46	16.21	1.48	17.50	1.50	18.51	1.53	
	115	13.10	1.41	14.11	1.46	15.12	1.52	15.85	1.53	17.14	1.56	18.16	1.59	
	118	12.89	1.44	13.90	1.49	14.91	1.55	15.64	1.57	16.93	1.60	17.94	1.63	
	122	12.82	1.48	13.83	1.54	14.84	1.59	15.57	1.61	16.86	1.64	17.87	1.67	
	12 + 12	14	16.67	0.82	17.70	0.85	18.74	0.88	19.48	0.89	20.80	0.91	21.84	0.93
		20	16.65	0.83	17.69	0.86	18.72	0.89	19.47	0.90	20.79	0.92	21.82	0.94
		25	16.64	0.84	17.67	0.87	18.71	0.91	19.45	0.92	20.77	0.93	21.81	0.95
		30	16.63	0.86	17.66	0.89	18.69	0.92	19.44	0.93	20.76	0.95	21.79	0.97
		35	16.61	0.87	17.65	0.90	18.68	0.93	19.42	0.94	20.74	0.96	21.77	0.98
		40	16.60	0.88	17.63	0.91	18.66	0.94	19.41	0.95	20.73	0.97	21.76	0.99
		45	16.59	0.89	17.62	0.92	18.65	0.96	19.39	0.97	20.71	0.99	21.74	1.01
		50	16.58	0.90	17.61	0.94	18.63	0.97	19.38	0.98	20.69	1.00	21.72	1.02
		55	16.56	0.91	17.59	0.95	18.62	0.98	19.36	0.99	20.68	1.01	21.71	1.03
		60	16.55	0.93	17.58	0.96	18.61	0.99	19.35	1.01	20.66	1.02	21.69	1.05
		65	16.54	0.94	17.57	0.97	18.59	1.01	19.33	1.02	20.65	1.04	21.67	1.06
		70	16.53	0.95	17.55	0.98	18.58	1.02	19.32	1.03	20.63	1.05	21.66	1.07
		75	16.13	1.00	17.15	1.04	18.18	1.07	18.91	1.09	20.22	1.11	21.25	1.13
		80	15.73	1.05	16.75	1.09	17.77	1.13	18.51	1.14	19.81	1.16	20.84	1.19
		85	15.34	1.10	16.35	1.14	17.37	1.19	18.11	1.20	19.41	1.22	20.43	1.25
		90	14.94	1.15	15.96	1.20	16.97	1.24	17.71	1.25	19.01	1.28	20.02	1.30
		95	14.51	1.21	15.52	1.25	16.54	1.30	17.00	1.31	18.56	1.33	19.57	1.36
		100	14.16	1.26	15.17	1.30	16.18	1.35	16.78	1.37	18.20	1.39	19.22	1.42
	105	13.81	1.31	14.82	1.36	15.83	1.41	16.56	1.42	17.85	1.45	18.86	1.48	
110	13.45	1.36	14.46	1.41	15.48	1.46	16.21	1.48	17.50	1.50	18.51	1.53		
115	13.10	1.41	14.11	1.46	15.12	1.52	15.85	1.53	17.14	1.56	18.16	1.59		
118	12.89	1.44	13.90	1.49	14.91	1.55	15.64	1.57	16.93	1.60	17.94	1.63		
122	12.82	1.48	13.83	1.54	14.84	1.59	15.57	1.61	16.86	1.64	17.87	1.67		

TC = Total Capacity (kBtu/h).

PI = Power Input (kW).

Nominal capacity as rated: 0 ft. above sea level with 25 ft. of refrigerant piping.
0 ft. level difference between outdoor and indoor units.

Nominal cooling capacity rating obtained with air entering the indoor unit at 80°F dry bulb (DB) and 67°F wet bulb (WB), and outdoor ambient conditions of 95°F dry bulb (DB) and 75°F wet bulb (WB).

The shaded table rows indicate reference data. When operating at this temperature, these values can be different if the system is not running consistently.

Multi F and Multi F MAX Heat Pump System Engineering Manual

Table 36: LMU18CHV Cooling Capacity Table — Ducted Indoor Units.

Connected Indoor Units	Combination Capacity Index	Outdoor Air Temp. (°F DB)	Indoor Air Temp. °F DB / °F WB											
			68 / 57		73 / 61		77 / 64		80 / 67		86 / 72		90 / 75	
			TC	PI	TC	PI	TC	PI	TC	PI	TC	PI	TC	PI
Two (2) Ducted Indoor Units	9 + 9	14	13.72	0.82	14.58	0.85	15.43	0.88	16.04	0.89	17.13	0.91	17.99	0.92
		20	13.71	0.83	14.57	0.86	15.42	0.89	16.03	0.90	17.12	0.92	17.97	0.94
		25	13.70	0.84	14.55	0.87	15.41	0.90	16.02	0.92	17.11	0.93	17.96	0.95
		30	13.69	0.85	14.54	0.89	15.39	0.92	16.01	0.93	17.09	0.95	17.94	0.96
		35	13.68	0.87	14.53	0.90	15.38	0.93	16.00	0.94	17.08	0.96	17.93	0.98
		40	13.67	0.88	14.52	0.91	15.37	0.94	15.98	0.95	17.07	0.97	17.92	0.99
		45	13.66	0.89	14.51	0.92	15.36	0.96	15.97	0.97	17.06	0.98	17.90	1.00
		50	13.65	0.90	14.50	0.93	15.35	0.97	15.96	0.98	17.04	1.00	17.89	1.02
		55	13.64	0.91	14.49	0.95	15.33	0.98	15.95	0.99	17.03	1.01	17.88	1.03
		60	13.63	0.92	14.48	0.96	15.32	0.99	15.93	1.00	17.02	1.02	17.86	1.04
		65	13.62	0.94	14.47	0.97	15.31	1.01	15.92	1.02	17.00	1.04	17.85	1.06
		70	13.61	0.95	14.45	0.98	15.30	1.02	15.91	1.03	16.99	1.05	17.83	1.07
		75	13.28	1.00	14.12	1.04	14.97	1.07	15.58	1.09	16.65	1.11	17.50	1.13
		80	12.95	1.05	13.80	1.09	14.64	1.13	15.24	1.14	16.32	1.16	17.16	1.19
		85	12.63	1.10	13.47	1.14	14.31	1.18	14.91	1.20	15.99	1.22	16.82	1.24
		90	12.30	1.15	13.14	1.19	13.98	1.24	14.58	1.25	15.65	1.28	16.49	1.30
		95	11.95	1.20	12.79	1.25	13.62	1.29	14.00	1.31	15.28	1.33	16.12	1.36
		100	11.66	1.25	12.49	1.30	13.33	1.35	13.82	1.36	14.99	1.39	15.82	1.42
		105	11.37	1.31	12.20	1.35	13.04	1.40	13.64	1.42	14.70	1.45	15.53	1.47
		110	11.08	1.36	11.91	1.41	12.74	1.46	13.35	1.47	14.41	1.50	15.24	1.53
		115	10.79	1.41	11.62	1.46	12.45	1.51	13.06	1.53	14.12	1.56	14.95	1.59
	118	10.61	1.44	11.45	1.49	12.28	1.55	12.88	1.56	13.94	1.59	14.78	1.62	
	122	10.56	1.48	11.39	1.53	12.22	1.59	12.82	1.61	13.89	1.64	14.72	1.67	
	9 + 12	14	13.72	0.82	14.58	0.85	15.43	0.88	16.04	0.89	17.13	0.91	17.99	0.92
		20	13.71	0.83	14.57	0.86	15.42	0.89	16.03	0.90	17.12	0.92	17.97	0.94
		25	13.70	0.84	14.55	0.87	15.41	0.90	16.02	0.92	17.11	0.93	17.96	0.95
		30	13.69	0.85	14.54	0.89	15.39	0.92	16.01	0.93	17.09	0.95	17.94	0.96
		35	13.68	0.87	14.53	0.90	15.38	0.93	16.00	0.94	17.08	0.96	17.93	0.98
		40	13.67	0.88	14.52	0.91	15.37	0.94	15.98	0.95	17.07	0.97	17.92	0.99
		45	13.66	0.89	14.51	0.92	15.36	0.96	15.97	0.97	17.06	0.98	17.90	1.00
		50	13.65	0.90	14.50	0.93	15.35	0.97	15.96	0.98	17.04	1.00	17.89	1.02
		55	13.64	0.91	14.49	0.95	15.33	0.98	15.95	0.99	17.03	1.01	17.88	1.03
		60	13.63	0.92	14.48	0.96	15.32	0.99	15.93	1.00	17.02	1.02	17.86	1.04
		65	13.62	0.94	14.47	0.97	15.31	1.01	15.92	1.02	17.00	1.04	17.85	1.06
		70	13.61	0.95	14.45	0.98	15.30	1.02	15.91	1.03	16.99	1.05	17.83	1.07
		75	13.28	1.00	14.12	1.04	14.97	1.07	15.58	1.09	16.65	1.11	17.50	1.13
		80	12.95	1.05	13.80	1.09	14.64	1.13	15.24	1.14	16.32	1.16	17.16	1.19
		85	12.63	1.10	13.47	1.14	14.31	1.18	14.91	1.20	15.99	1.22	16.82	1.24
		90	12.30	1.15	13.14	1.19	13.98	1.24	14.58	1.25	15.65	1.28	16.49	1.30
		95	11.95	1.20	12.79	1.25	13.62	1.29	14.00	1.31	15.28	1.33	16.12	1.36
		100	11.66	1.25	12.49	1.30	13.33	1.35	13.82	1.36	14.99	1.39	15.82	1.42
		105	11.37	1.31	12.20	1.35	13.04	1.40	13.64	1.42	14.70	1.45	15.53	1.47
110		11.08	1.36	11.91	1.41	12.74	1.46	13.35	1.47	14.41	1.50	15.24	1.53	
115		10.79	1.41	11.62	1.46	12.45	1.51	13.06	1.53	14.12	1.56	14.95	1.59	
118	10.61	1.44	11.45	1.49	12.28	1.55	12.88	1.56	13.94	1.59	14.78	1.62		
122	10.56	1.48	11.39	1.53	12.22	1.59	12.82	1.61	13.89	1.64	14.72	1.67		

TC = Total Capacity (kBtu/h).

PI = Power Input (kW).

Nominal capacity as rated: 0 ft. above sea level with 25 ft. of refrigerant piping.
0 ft. level difference between outdoor and indoor units.

Nominal cooling capacity rating obtained with air entering the indoor unit at 80°F dry bulb (DB) and 67°F wet bulb (WB), and outdoor ambient conditions of 95°F dry bulb (DB) and 75°F wet bulb (WB).

The shaded table rows indicate reference data. When operating at this temperature, these values can be different if the system is not running consistently.

PERFORMANCE DATA

Cooling Capacity Tables

MULTI F
MULTI F MAX

Table 37: LMU18CHV Cooling Capacity Table — Ducted (continued) and Mixed Indoor Units.

Connected Indoor Units	Combination Capacity Index	Outdoor Air Temp. (°F DB)	Indoor Air Temp. °F DB / °F WB											
			68 / 57		73 / 61		77 / 64		80 / 67		86 / 72		90 / 75	
			TC	PI	TC	PI	TC	PI	TC	PI	TC	PI	TC	PI
Two (2) Ducted Indoor Units	12 + 12	14	13.72	0.82	14.58	0.85	15.43	0.88	16.04	0.89	17.13	0.91	17.99	0.92
		20	13.71	0.83	14.57	0.86	15.42	0.89	16.03	0.90	17.12	0.92	17.97	0.94
		25	13.70	0.84	14.55	0.87	15.41	0.90	16.02	0.92	17.11	0.93	17.96	0.95
		30	13.69	0.85	14.54	0.89	15.39	0.92	16.01	0.93	17.09	0.95	17.94	0.96
		35	13.68	0.87	14.53	0.90	15.38	0.93	16.00	0.94	17.08	0.96	17.93	0.98
		40	13.67	0.88	14.52	0.91	15.37	0.94	15.98	0.95	17.07	0.97	17.92	0.99
		45	13.66	0.89	14.51	0.92	15.36	0.96	15.97	0.97	17.06	0.98	17.90	1.00
		50	13.65	0.90	14.50	0.93	15.35	0.97	15.96	0.98	17.04	1.00	17.89	1.02
		55	13.64	0.91	14.49	0.95	15.33	0.98	15.95	0.99	17.03	1.01	17.88	1.03
		60	13.63	0.92	14.48	0.96	15.32	0.99	15.93	1.00	17.02	1.02	17.86	1.04
		65	13.62	0.94	14.47	0.97	15.31	1.01	15.92	1.02	17.00	1.04	17.85	1.06
		70	13.61	0.95	14.45	0.98	15.30	1.02	15.91	1.03	16.99	1.05	17.83	1.07
		75	13.28	1.00	14.12	1.04	14.97	1.07	15.58	1.09	16.65	1.11	17.50	1.13
		80	12.95	1.05	13.80	1.09	14.64	1.13	15.24	1.14	16.32	1.16	17.16	1.19
		85	12.63	1.10	13.47	1.14	14.31	1.18	14.91	1.20	15.99	1.22	16.82	1.24
		90	12.30	1.15	13.14	1.19	13.98	1.24	14.58	1.25	15.65	1.28	16.49	1.30
		95	11.95	1.20	12.79	1.25	13.62	1.29	14.00	1.31	15.28	1.33	16.12	1.36
		100	11.66	1.25	12.49	1.30	13.33	1.35	13.82	1.36	14.99	1.39	15.82	1.42
		105	11.37	1.31	12.20	1.35	13.04	1.40	13.64	1.42	14.70	1.45	15.53	1.47
		110	11.08	1.36	11.91	1.41	12.74	1.46	13.35	1.47	14.41	1.50	15.24	1.53
115	10.79	1.41	11.62	1.46	12.45	1.51	13.06	1.53	14.12	1.56	14.95	1.59		
118	10.61	1.44	11.45	1.49	12.28	1.55	12.88	1.56	13.94	1.59	14.78	1.62		
122	10.56	1.48	11.39	1.53	12.22	1.59	12.82	1.61	13.89	1.64	14.72	1.67		
Two (2) Mixed Indoor Units	7 + 9	14	14.30	0.78	15.19	0.80	16.08	0.83	16.72	0.84	17.85	0.86	18.74	0.88
		20	14.29	0.79	15.18	0.82	16.06	0.85	16.71	0.85	17.84	0.87	18.73	0.89
		25	14.28	0.80	15.17	0.83	16.05	0.86	16.69	0.87	17.83	0.88	18.71	0.90
		30	14.27	0.81	15.15	0.84	16.04	0.87	16.68	0.88	17.81	0.90	18.70	0.91
		35	14.26	0.82	15.14	0.85	16.03	0.88	16.67	0.89	17.80	0.91	18.68	0.93
		40	14.25	0.83	15.13	0.86	16.02	0.89	16.65	0.90	17.79	0.92	18.67	0.94
		45	14.24	0.84	15.12	0.87	16.00	0.90	16.64	0.92	17.77	0.93	18.66	0.95
		50	14.22	0.85	15.11	0.88	15.99	0.92	16.63	0.93	17.76	0.94	18.64	0.96
		55	14.21	0.86	15.10	0.90	15.98	0.93	16.62	0.94	17.74	0.96	18.63	0.98
		60	14.20	0.88	15.08	0.91	15.97	0.94	16.60	0.95	17.73	0.97	18.61	0.99
		65	14.19	0.89	15.07	0.92	15.95	0.95	16.59	0.96	17.72	0.98	18.60	1.00
		70	14.18	0.90	15.06	0.93	15.94	0.96	16.58	0.98	17.70	0.99	18.58	1.01
		75	13.84	0.95	14.72	0.98	15.60	1.02	16.23	1.03	17.35	1.05	18.23	1.07
		80	13.50	0.99	14.37	1.03	15.25	1.07	15.88	1.08	17.00	1.10	17.88	1.12
		85	13.16	1.04	14.03	1.08	14.91	1.12	15.54	1.13	16.66	1.15	17.53	1.18
		90	12.82	1.09	13.69	1.13	14.57	1.17	15.20	1.19	16.31	1.21	17.18	1.23
		95	12.45	1.14	13.32	1.18	14.19	1.22	14.59	1.24	15.93	1.26	16.79	1.29
		100	12.15	1.19	13.02	1.23	13.89	1.28	14.40	1.29	15.62	1.32	16.49	1.34
		105	11.85	1.24	12.72	1.28	13.58	1.33	14.21	1.34	15.32	1.37	16.19	1.40
		110	11.54	1.29	12.41	1.33	13.28	1.38	13.91	1.40	15.02	1.42	15.88	1.45
115	11.24	1.33	12.11	1.38	12.98	1.43	13.60	1.45	14.71	1.48	15.58	1.51		
118	11.06	1.36	11.93	1.41	12.80	1.46	13.42	1.48	14.53	1.51	15.40	1.54		
122	11.00	1.40	11.87	1.45	12.73	1.51	13.36	1.52	14.47	1.55	15.34	1.58		

TC = Total Capacity (kBtu/h).

PI = Power Input (kW).

Nominal capacity as rated: 0 ft. above sea level with 25 ft. of refrigerant piping.
0 ft. level difference between outdoor and indoor units.

Nominal cooling capacity rating obtained with air entering the indoor unit at 80°F dry bulb (DB) and 67°F wet bulb (WB), and outdoor ambient conditions of 95°F dry bulb (DB) and 75°F wet bulb (WB).

The shaded table rows indicate reference data. When operating at this temperature, these values can be different if the system is not running consistently.

Multi F and Multi F MAX Heat Pump System Engineering Manual

Table 38: LMU18CHV Cooling Capacity Table — Mixed Indoor Units.

Connected Indoor Units	Combination Capacity Index	Outdoor Air Temp. (°F DB)	Indoor Air Temp. °F DB / °F WB											
			68 / 57		73 / 61		77 / 64		80 / 67		86 / 72		90 / 75	
			TC	PI	TC	PI	TC	PI	TC	PI	TC	PI	TC	PI
Two (2) Mixed Indoor Units	9 + 9	14	15.19	0.82	16.14	0.85	17.08	0.88	17.76	0.89	18.97	0.91	19.91	0.93
		20	15.18	0.83	16.13	0.86	17.07	0.89	17.75	0.90	18.95	0.92	19.90	0.94
		25	15.17	0.84	16.11	0.87	17.06	0.91	17.74	0.92	18.94	0.93	19.88	0.95
		30	15.16	0.85	16.10	0.89	17.04	0.92	17.72	0.93	18.93	0.95	19.87	0.97
		35	15.15	0.87	16.09	0.90	17.03	0.93	17.71	0.94	18.91	0.96	19.85	0.98
		40	15.14	0.88	16.08	0.91	17.02	0.94	17.70	0.95	18.90	0.97	19.84	0.99
		45	15.13	0.89	16.06	0.92	17.00	0.96	17.68	0.97	18.88	0.99	19.82	1.00
		50	15.11	0.90	16.05	0.93	16.99	0.97	17.67	0.98	18.87	1.00	19.81	1.02
		55	15.10	0.91	16.04	0.95	16.98	0.98	17.66	0.99	18.85	1.01	19.79	1.03
		60	15.09	0.93	16.03	0.96	16.96	0.99	17.64	1.01	18.84	1.02	19.78	1.04
		65	15.08	0.94	16.02	0.97	16.95	1.01	17.63	1.02	18.82	1.04	19.76	1.06
		70	15.07	0.95	16.00	0.98	16.94	1.02	17.61	1.03	18.81	1.05	19.75	1.07
		75	14.70	1.00	15.64	1.04	16.57	1.07	17.25	1.09	18.44	1.11	19.37	1.13
		80	14.34	1.05	15.27	1.09	16.20	1.13	16.88	1.14	18.07	1.16	19.00	1.19
		85	13.98	1.10	14.91	1.14	15.84	1.18	16.51	1.20	17.70	1.22	18.63	1.24
		90	13.62	1.15	14.55	1.20	15.48	1.24	16.15	1.25	17.33	1.28	18.26	1.30
		95	13.23	1.20	14.16	1.25	15.08	1.29	15.50	1.31	16.92	1.33	17.84	1.36
		100	12.91	1.26	13.83	1.30	14.75	1.35	15.30	1.36	16.60	1.39	17.52	1.42
		105	12.59	1.31	13.51	1.35	14.43	1.40	15.10	1.42	16.28	1.45	17.20	1.48
		110	12.27	1.36	13.19	1.41	14.11	1.46	14.78	1.48	15.95	1.50	16.88	1.53
		115	11.94	1.41	12.87	1.46	13.79	1.51	14.45	1.53	15.63	1.56	16.55	1.59
	118	11.75	1.44	12.67	1.49	13.59	1.55	14.26	1.56	15.44	1.59	16.36	1.63	
	122	11.69	1.48	12.61	1.53	13.53	1.59	14.20	1.61	15.37	1.64	16.30	1.67	
	7 + 12	14	15.19	0.82	16.14	0.85	17.08	0.88	17.76	0.89	18.97	0.91	19.91	0.93
		20	15.18	0.83	16.13	0.86	17.07	0.89	17.75	0.90	18.95	0.92	19.90	0.94
		25	15.17	0.84	16.11	0.87	17.06	0.91	17.74	0.92	18.94	0.93	19.88	0.95
		30	15.16	0.85	16.10	0.89	17.04	0.92	17.72	0.93	18.93	0.95	19.87	0.97
		35	15.15	0.87	16.09	0.90	17.03	0.93	17.71	0.94	18.91	0.96	19.85	0.98
		40	15.14	0.88	16.08	0.91	17.02	0.94	17.70	0.95	18.90	0.97	19.84	0.99
		45	15.13	0.89	16.06	0.92	17.00	0.96	17.68	0.97	18.88	0.99	19.82	1.00
		50	15.11	0.90	16.05	0.93	16.99	0.97	17.67	0.98	18.87	1.00	19.81	1.02
		55	15.10	0.91	16.04	0.95	16.98	0.98	17.66	0.99	18.85	1.01	19.79	1.03
		60	15.09	0.93	16.03	0.96	16.96	0.99	17.64	1.01	18.84	1.02	19.78	1.04
		65	15.08	0.94	16.02	0.97	16.95	1.01	17.63	1.02	18.82	1.04	19.76	1.06
		70	15.07	0.95	16.00	0.98	16.94	1.02	17.61	1.03	18.81	1.05	19.75	1.07
		75	14.70	1.00	15.64	1.04	16.57	1.07	17.25	1.09	18.44	1.11	19.37	1.13
		80	14.34	1.05	15.27	1.09	16.20	1.13	16.88	1.14	18.07	1.16	19.00	1.19
		85	13.98	1.10	14.91	1.14	15.84	1.18	16.51	1.20	17.70	1.22	18.63	1.24
		90	13.62	1.15	14.55	1.20	15.48	1.24	16.15	1.25	17.33	1.28	18.26	1.30
		95	13.23	1.20	14.16	1.25	15.08	1.29	15.50	1.31	16.92	1.33	17.84	1.36
		100	12.91	1.26	13.83	1.30	14.75	1.35	15.30	1.36	16.60	1.39	17.52	1.42
		105	12.59	1.31	13.51	1.35	14.43	1.40	15.10	1.42	16.28	1.45	17.20	1.48
110		12.27	1.36	13.19	1.41	14.11	1.46	14.78	1.48	15.95	1.50	16.88	1.53	
115		11.94	1.41	12.87	1.46	13.79	1.51	14.45	1.53	15.63	1.56	16.55	1.59	
118	11.75	1.44	12.67	1.49	13.59	1.55	14.26	1.56	15.44	1.59	16.36	1.63		
122	11.69	1.48	12.61	1.53	13.53	1.59	14.20	1.61	15.37	1.64	16.30	1.67		

Multi F Outdoor Unit Data

TC = Total Capacity (kBtu/h).

PI = Power Input (kW).

Nominal capacity as rated: 0 ft. above sea level with 25 ft. of refrigerant piping.
0 ft. level difference between outdoor and indoor units.

Nominal cooling capacity rating obtained with air entering the indoor unit at 80°F dry bulb (DB) and 67°F wet bulb (WB), and outdoor ambient conditions of 95°F dry bulb (DB) and 75°F wet bulb (WB).

The shaded table rows indicate reference data. When operating at this temperature, these values can be different if the system is not running consistently.

PERFORMANCE DATA

Cooling Capacity Tables

MULTI F
MULTI F MAX

Table 39: LMU18CHV Cooling Capacity Table — Mixed Indoor Units.

Connected Indoor Units	Combination Capacity Index	Outdoor Air Temp. (°F DB)	Indoor Air Temp. °F DB / °F WB											
			68 / 57		73 / 61		77 / 64		80 / 67		86 / 72		90 / 75	
			TC	PI	TC	PI	TC	PI	TC	PI	TC	PI	TC	PI
Two (2) Mixed Indoor Units	9 + 12	14	15.19	0.82	16.14	0.85	17.08	0.88	17.76	0.89	18.97	0.91	19.91	0.93
		20	15.18	0.83	16.13	0.86	17.07	0.89	17.75	0.90	18.95	0.92	19.90	0.94
		25	15.17	0.84	16.11	0.87	17.06	0.91	17.74	0.92	18.94	0.93	19.88	0.95
		30	15.16	0.85	16.10	0.89	17.04	0.92	17.72	0.93	18.93	0.95	19.87	0.97
		35	15.15	0.87	16.09	0.90	17.03	0.93	17.71	0.94	18.91	0.96	19.85	0.98
		40	15.14	0.88	16.08	0.91	17.02	0.94	17.70	0.95	18.90	0.97	19.84	0.99
		45	15.13	0.89	16.06	0.92	17.00	0.96	17.68	0.97	18.88	0.99	19.82	1.00
		50	15.11	0.90	16.05	0.93	16.99	0.97	17.67	0.98	18.87	1.00	19.81	1.02
		55	15.10	0.91	16.04	0.95	16.98	0.98	17.66	0.99	18.85	1.01	19.79	1.03
		60	15.09	0.93	16.03	0.96	16.96	0.99	17.64	1.01	18.84	1.02	19.78	1.04
		65	15.08	0.94	16.02	0.97	16.95	1.01	17.63	1.02	18.82	1.04	19.76	1.06
		70	15.07	0.95	16.00	0.98	16.94	1.02	17.61	1.03	18.81	1.05	19.75	1.07
		75	14.70	1.00	15.64	1.04	16.57	1.07	17.25	1.09	18.44	1.11	19.37	1.13
		80	14.34	1.05	15.27	1.09	16.20	1.13	16.88	1.14	18.07	1.16	19.00	1.19
		85	13.98	1.10	14.91	1.14	15.84	1.18	16.51	1.20	17.70	1.22	18.63	1.24
		90	13.62	1.15	14.55	1.20	15.48	1.24	16.15	1.25	17.33	1.28	18.26	1.30
		95	13.23	1.20	14.16	1.25	15.08	1.29	15.50	1.31	16.92	1.33	17.84	1.36
		100	12.91	1.26	13.83	1.30	14.75	1.35	15.30	1.36	16.60	1.39	17.52	1.42
		105	12.59	1.31	13.51	1.35	14.43	1.40	15.10	1.42	16.28	1.45	17.20	1.48
		110	12.27	1.36	13.19	1.41	14.11	1.46	14.78	1.48	15.95	1.50	16.88	1.53
		115	11.94	1.41	12.87	1.46	13.79	1.51	14.45	1.53	15.63	1.56	16.55	1.59
	118	11.75	1.44	12.67	1.49	13.59	1.55	14.26	1.56	15.44	1.59	16.36	1.63	
	122	11.69	1.48	12.61	1.53	13.53	1.59	14.20	1.61	15.37	1.64	16.30	1.67	
	9 + 15	14	15.19	0.82	16.14	0.85	17.08	0.88	17.76	0.89	18.97	0.91	19.91	0.93
		20	15.18	0.83	16.13	0.86	17.07	0.89	17.75	0.90	18.95	0.92	19.90	0.94
		25	15.17	0.84	16.11	0.87	17.06	0.91	17.74	0.92	18.94	0.93	19.88	0.95
		30	15.16	0.85	16.10	0.89	17.04	0.92	17.72	0.93	18.93	0.95	19.87	0.97
		35	15.15	0.87	16.09	0.90	17.03	0.93	17.71	0.94	18.91	0.96	19.85	0.98
		40	15.14	0.88	16.08	0.91	17.02	0.94	17.70	0.95	18.90	0.97	19.84	0.99
		45	15.13	0.89	16.06	0.92	17.00	0.96	17.68	0.97	18.88	0.99	19.82	1.00
		50	15.11	0.90	16.05	0.93	16.99	0.97	17.67	0.98	18.87	1.00	19.81	1.02
		55	15.10	0.91	16.04	0.95	16.98	0.98	17.66	0.99	18.85	1.01	19.79	1.03
		60	15.09	0.93	16.03	0.96	16.96	0.99	17.64	1.01	18.84	1.02	19.78	1.04
		65	15.08	0.94	16.02	0.97	16.95	1.01	17.63	1.02	18.82	1.04	19.76	1.06
		70	15.07	0.95	16.00	0.98	16.94	1.02	17.61	1.03	18.81	1.05	19.75	1.07
		75	14.70	1.00	15.64	1.04	16.57	1.07	17.25	1.09	18.44	1.11	19.37	1.13
		80	14.34	1.05	15.27	1.09	16.20	1.13	16.88	1.14	18.07	1.16	19.00	1.19
		85	13.98	1.10	14.91	1.14	15.84	1.18	16.51	1.20	17.70	1.22	18.63	1.24
		90	13.62	1.15	14.55	1.20	15.48	1.24	16.15	1.25	17.33	1.28	18.26	1.30
		95	13.23	1.20	14.16	1.25	15.08	1.29	15.50	1.31	16.92	1.33	17.84	1.36
		100	12.91	1.26	13.83	1.30	14.75	1.35	15.30	1.36	16.60	1.39	17.52	1.42
		105	12.59	1.31	13.51	1.35	14.43	1.40	15.10	1.42	16.28	1.45	17.20	1.48
110		12.27	1.36	13.19	1.41	14.11	1.46	14.78	1.48	15.95	1.50	16.88	1.53	
115		11.94	1.41	12.87	1.46	13.79	1.51	14.45	1.53	15.63	1.56	16.55	1.59	
118	11.75	1.44	12.67	1.49	13.59	1.55	14.26	1.56	15.44	1.59	16.36	1.63		
122	11.69	1.48	12.61	1.53	13.53	1.59	14.20	1.61	15.37	1.64	16.30	1.67		

TC = Total Capacity (kBtu/h).

PI = Power Input (kW).

Nominal capacity as rated: 0 ft. above sea level with 25 ft. of refrigerant piping.
0 ft. level difference between outdoor and indoor units.

Nominal cooling capacity rating obtained with air entering the indoor unit at 80°F dry bulb (DB) and 67°F wet bulb (WB), and outdoor ambient conditions of 95°F dry bulb (DB) and 75°F wet bulb (WB).

The shaded table rows indicate reference data. When operating at this temperature, these values can be different if the system is not running consistently.

Multi F and Multi F MAX Heat Pump System Engineering Manual

Table 40: LMU18CHV Cooling Capacity Table — Mixed Indoor Units (continued).

Connected Indoor Units	Combination Capacity Index	Outdoor Air Temp. (°F DB)	Indoor Air Temp. °F DB / °F WB											
			68 / 57		73 / 61		77 / 64		80 / 67		86 / 72		90 / 75	
			TC	PI	TC	PI	TC	PI	TC	PI	TC	PI	TC	PI
Two (2) Mixed Indoor Units	12 + 12	14	15.19	0.82	16.14	0.85	17.08	0.88	17.76	0.89	18.97	0.91	19.91	0.93
		20	15.18	0.83	16.13	0.86	17.07	0.89	17.75	0.90	18.95	0.92	19.90	0.94
		25	15.17	0.84	16.11	0.87	17.06	0.91	17.74	0.92	18.94	0.93	19.88	0.95
		30	15.16	0.85	16.10	0.89	17.04	0.92	17.72	0.93	18.93	0.95	19.87	0.97
		35	15.15	0.87	16.09	0.90	17.03	0.93	17.71	0.94	18.91	0.96	19.85	0.98
		40	15.14	0.88	16.08	0.91	17.02	0.94	17.70	0.95	18.90	0.97	19.84	0.99
		45	15.13	0.89	16.06	0.92	17.00	0.96	17.68	0.97	18.88	0.99	19.82	1.00
		50	15.11	0.90	16.05	0.93	16.99	0.97	17.67	0.98	18.87	1.00	19.81	1.02
		55	15.10	0.91	16.04	0.95	16.98	0.98	17.66	0.99	18.85	1.01	19.79	1.03
		60	15.09	0.93	16.03	0.96	16.96	0.99	17.64	1.01	18.84	1.02	19.78	1.04
		65	15.08	0.94	16.02	0.97	16.95	1.01	17.63	1.02	18.82	1.04	19.76	1.06
		70	15.07	0.95	16.00	0.98	16.94	1.02	17.61	1.03	18.81	1.05	19.75	1.07
		75	14.70	1.00	15.64	1.04	16.57	1.07	17.25	1.09	18.44	1.11	19.37	1.13
		80	14.34	1.05	15.27	1.09	16.20	1.13	16.88	1.14	18.07	1.16	19.00	1.19
		85	13.98	1.10	14.91	1.14	15.84	1.18	16.51	1.20	17.70	1.22	18.63	1.24
		90	13.62	1.15	14.55	1.20	15.48	1.24	16.15	1.25	17.33	1.28	18.26	1.30
		95	13.23	1.20	14.16	1.25	15.08	1.29	15.50	1.31	16.92	1.33	17.84	1.36
		100	12.91	1.26	13.83	1.30	14.75	1.35	15.30	1.36	16.60	1.39	17.52	1.42
		105	12.59	1.31	13.51	1.35	14.43	1.40	15.10	1.42	16.28	1.45	17.20	1.48
110	12.27	1.36	13.19	1.41	14.11	1.46	14.78	1.48	15.95	1.50	16.88	1.53		
115	11.94	1.41	12.87	1.46	13.79	1.51	14.45	1.53	15.63	1.56	16.55	1.59		
118	11.75	1.44	12.67	1.49	13.59	1.55	14.26	1.56	15.44	1.59	16.36	1.63		
122	11.69	1.48	12.61	1.53	13.53	1.59	14.20	1.61	15.37	1.64	16.30	1.67		

TC = Total Capacity (kBtu/h).

PI = Power Input (kW).

Nominal capacity as rated: 0 ft. above sea level with 25 ft. of refrigerant piping.
0 ft. level difference between outdoor and indoor units.

Nominal cooling capacity rating obtained with air entering the indoor unit at 80°F dry bulb (DB) and 67°F wet bulb (WB), and outdoor ambient conditions of 95°F dry bulb (DB) and 75°F wet bulb (WB).

The shaded table rows indicate reference data. When operating at this temperature, these values can be different if the system is not running consistently.

PERFORMANCE DATA

Cooling Capacity Tables

MULTI F
MULTI F MAX

Table 41: LMU24CHV Cooling Capacity Table — Non-Ducted Indoor Units.

Connected Indoor Units	Combination Capacity Index	Outdoor Air Temp. (°F DB)	Indoor Air Temp. °F DB / °F WB											
			68 / 57		73 / 61		77 / 64		80 / 67		86 / 72		90 / 75	
			TC	PI	TC	PI	TC	PI	TC	PI	TC	PI	TC	PI
Two (2) Non-Ducted Indoor Units	7 + 7	14	13.72	0.71	14.58	0.74	15.43	0.77	16.04	0.78	17.13	0.79	17.99	0.81
		20	13.71	0.72	14.57	0.75	15.42	0.78	16.03	0.79	17.12	0.80	17.97	0.82
		25	13.70	0.73	14.55	0.76	15.41	0.79	16.02	0.80	17.11	0.81	17.96	0.83
		30	13.69	0.74	14.54	0.77	15.39	0.80	16.01	0.81	17.09	0.82	17.94	0.84
		35	13.68	0.75	14.53	0.78	15.38	0.81	16.00	0.82	17.08	0.84	17.93	0.85
		40	13.67	0.76	14.52	0.79	15.37	0.82	15.98	0.83	17.07	0.85	17.92	0.86
		45	13.66	0.77	14.51	0.80	15.36	0.83	15.97	0.84	17.06	0.86	17.90	0.88
		50	13.65	0.79	14.50	0.81	15.35	0.84	15.96	0.85	17.04	0.87	17.89	0.89
		55	13.64	0.80	14.49	0.82	15.33	0.85	15.95	0.86	17.03	0.88	17.88	0.90
		60	13.63	0.81	14.48	0.84	15.32	0.87	15.93	0.88	17.02	0.89	17.86	0.91
		65	13.62	0.82	14.47	0.85	15.31	0.88	15.92	0.89	17.00	0.90	17.85	0.92
		70	13.61	0.83	14.45	0.86	15.30	0.89	15.91	0.90	16.99	0.91	17.83	0.93
		75	13.28	0.87	14.12	0.90	14.97	0.94	15.58	0.95	16.65	0.96	17.50	0.98
		80	12.95	0.92	13.80	0.95	14.64	0.98	15.24	0.99	16.32	1.01	17.16	1.03
	85	12.63	0.96	13.47	0.99	14.31	1.03	14.91	1.04	15.99	1.06	16.82	1.08	
	90	12.30	1.00	13.14	1.04	13.98	1.08	14.58	1.09	15.65	1.11	16.49	1.13	
	95	11.95	1.05	12.79	1.09	13.62	1.13	14.00	1.14	15.28	1.16	16.12	1.18	
	100	11.66	1.09	12.49	1.13	13.33	1.17	13.82	1.19	14.99	1.21	15.82	1.24	
	105	11.37	1.14	12.20	1.18	13.04	1.22	13.64	1.24	14.70	1.26	15.53	1.29	
	110	11.08	1.18	11.91	1.23	12.74	1.27	13.35	1.29	14.41	1.31	15.24	1.34	
	115	10.79	1.23	11.62	1.27	12.45	1.32	13.06	1.33	14.12	1.36	14.95	1.39	
	118	10.61	1.25	11.45	1.30	12.28	1.35	12.88	1.36	13.94	1.39	14.78	1.42	
122	10.56	1.29	11.39	1.34	12.22	1.39	12.82	1.40	13.89	1.43	14.72	1.46		
7 + 9	14	15.68	0.81	16.66	0.84	17.63	0.87	18.34	0.88	19.58	0.89	20.56	0.91	
	20	15.67	0.82	16.65	0.85	17.62	0.88	18.32	0.89	19.57	0.91	20.54	0.92	
	25	15.66	0.83	16.63	0.86	17.61	0.89	18.31	0.90	19.55	0.92	20.52	0.94	
	30	15.65	0.84	16.62	0.87	17.59	0.90	18.29	0.92	19.54	0.93	20.51	0.95	
	35	15.64	0.85	16.61	0.88	17.58	0.92	18.28	0.93	19.52	0.95	20.49	0.96	
	40	15.62	0.87	16.60	0.90	17.57	0.93	18.27	0.94	19.51	0.96	20.48	0.98	
	45	15.61	0.88	16.58	0.91	17.55	0.94	18.25	0.95	19.49	0.97	20.46	0.99	
	50	15.60	0.89	16.57	0.92	17.54	0.95	18.24	0.97	19.48	0.98	20.45	1.00	
	55	15.59	0.90	16.56	0.93	17.53	0.97	18.22	0.98	19.46	1.00	20.43	1.02	
	60	15.58	0.91	16.54	0.94	17.51	0.98	18.21	0.99	19.45	1.01	20.41	1.03	
	65	15.57	0.92	16.53	0.96	17.50	0.99	18.20	1.00	19.43	1.02	20.40	1.04	
	70	15.55	0.93	16.52	0.97	17.49	1.00	18.18	1.02	19.42	1.03	20.38	1.06	
	75	15.18	0.99	16.14	1.02	17.11	1.06	17.80	1.07	19.03	1.09	20.00	1.11	
	80	14.80	1.04	15.77	1.07	16.73	1.11	17.42	1.13	18.65	1.15	19.61	1.17	
	85	14.43	1.09	15.39	1.13	16.35	1.17	17.04	1.18	18.27	1.20	19.23	1.23	
	90	14.06	1.14	15.02	1.18	15.98	1.22	16.67	1.24	17.89	1.26	18.84	1.28	
	95	13.66	1.19	14.61	1.23	15.56	1.28	16.00	1.29	17.47	1.31	18.42	1.34	
	100	13.33	1.24	14.28	1.28	15.23	1.33	15.79	1.34	17.13	1.37	18.09	1.40	
105	12.99	1.29	13.95	1.33	14.90	1.38	15.59	1.40	16.80	1.43	17.75	1.45		
110	12.66	1.34	13.61	1.39	14.57	1.44	15.25	1.45	16.47	1.48	17.42	1.51		
115	12.33	1.39	13.28	1.44	14.23	1.49	14.92	1.51	16.14	1.54	17.09	1.57		
118	12.13	1.42	13.08	1.47	14.03	1.52	14.72	1.54	15.94	1.57	16.89	1.60		
122	12.06	1.46	13.02	1.51	13.97	1.57	14.65	1.59	15.87	1.62	16.82	1.65		

TC = Total Capacity (kBtu/h).

PI = Power Input (kW).

Nominal capacity as rated: 0 ft. above sea level with 25 ft. of refrigerant piping.
0 ft. level difference between outdoor and indoor units.

Nominal cooling capacity rating obtained with air entering the indoor unit at 80°F dry bulb (DB) and 67°F wet bulb (WB), and outdoor ambient conditions of 95°F dry bulb (DB) and 75°F wet bulb (WB).

The shaded table rows indicate reference data. When operating at this temperature, these values can be different if the system is not running consistently.

Multi F and Multi F MAX Heat Pump System Engineering Manual

Table 42: LMU24CHV Cooling Capacity Table — Non-Ducted Indoor Units (continued).

Connected Indoor Units	Combination Capacity Index	Outdoor Air Temp. (°F DB)	Indoor Air Temp. °F DB / °F WB											
			68 / 57		73 / 61		77 / 64		80 / 67		86 / 72		90 / 75	
			TC	PI	TC	PI	TC	PI	TC	PI	TC	PI	TC	PI
Two (2) Non-Ducted Indoor Units	9 + 9	14	17.65	0.90	18.74	0.93	19.84	0.97	20.63	0.98	22.03	1.00	23.12	1.02
		20	17.63	0.91	18.73	0.95	19.82	0.98	20.61	0.99	22.01	1.01	23.11	1.03
		25	17.62	0.93	18.71	0.96	19.81	1.00	20.60	1.01	22.00	1.03	23.09	1.05
		30	17.60	0.94	18.70	0.97	19.79	1.01	20.58	1.02	21.98	1.04	23.07	1.06
		35	17.59	0.95	18.68	0.99	19.78	1.02	20.57	1.04	21.96	1.05	23.05	1.08
		40	17.58	0.97	18.67	1.00	19.76	1.04	20.55	1.05	21.94	1.07	23.04	1.09
		45	17.56	0.98	18.66	1.01	19.75	1.05	20.53	1.06	21.93	1.08	23.02	1.11
		50	17.55	0.99	18.64	1.03	19.73	1.07	20.52	1.08	21.91	1.10	23.00	1.12
		55	17.54	1.00	18.63	1.04	19.72	1.08	20.50	1.09	21.89	1.11	22.98	1.13
		60	17.52	1.02	18.61	1.05	19.70	1.09	20.49	1.11	21.88	1.13	22.97	1.15
		65	17.51	1.03	18.60	1.07	19.69	1.11	20.47	1.12	21.86	1.14	22.95	1.16
		70	17.50	1.04	18.58	1.08	19.67	1.12	20.46	1.13	21.84	1.16	22.93	1.18
		75	17.08	1.10	18.16	1.14	19.24	1.18	20.03	1.20	21.41	1.22	22.50	1.24
		80	16.66	1.16	17.74	1.20	18.82	1.24	19.60	1.26	20.98	1.28	22.06	1.31
		85	16.24	1.21	17.32	1.26	18.40	1.30	19.17	1.32	20.55	1.34	21.63	1.37
		90	15.82	1.27	16.90	1.32	17.97	1.36	18.75	1.38	20.12	1.40	21.20	1.43
		95	15.37	1.33	16.44	1.37	17.51	1.42	18.00	1.44	19.65	1.47	20.72	1.50
		100	14.99	1.38	16.06	1.43	17.13	1.48	17.77	1.50	19.28	1.53	20.35	1.56
	105	14.62	1.44	15.69	1.49	16.76	1.54	17.53	1.56	18.90	1.59	19.97	1.62	
	110	14.24	1.49	15.32	1.55	16.39	1.61	17.16	1.62	18.53	1.65	19.60	1.69	
	115	13.87	1.55	14.94	1.61	16.01	1.67	16.79	1.68	18.15	1.72	19.22	1.75	
	118	13.65	1.58	14.72	1.64	15.79	1.70	16.56	1.72	17.93	1.75	19.00	1.79	
	122	13.57	1.63	14.64	1.69	15.71	1.75	16.49	1.77	17.85	1.80	18.92	1.84	
	7 + 12	14	18.63	0.94	19.78	0.98	20.94	1.02	21.77	1.03	23.25	1.05	24.41	1.07
		20	18.61	0.96	19.77	0.99	20.92	1.03	21.76	1.04	23.23	1.06	24.39	1.08
		25	18.60	0.97	19.75	1.01	20.91	1.04	21.74	1.06	23.22	1.08	24.37	1.10
		30	18.58	0.99	19.74	1.02	20.89	1.06	21.72	1.07	23.20	1.09	24.35	1.11
		35	18.57	1.00	19.72	1.04	20.88	1.07	21.71	1.09	23.18	1.11	24.33	1.13
		40	18.55	1.01	19.71	1.05	20.86	1.09	21.69	1.10	23.16	1.12	24.32	1.14
		45	18.54	1.03	19.69	1.06	20.84	1.10	21.67	1.12	23.15	1.14	24.30	1.16
		50	18.53	1.04	19.68	1.08	20.83	1.12	21.66	1.13	23.13	1.15	24.28	1.17
		55	18.51	1.05	19.66	1.09	20.81	1.13	21.64	1.14	23.11	1.17	24.26	1.19
		60	18.50	1.07	19.65	1.11	20.80	1.15	21.63	1.16	23.09	1.18	24.24	1.21
		65	18.48	1.08	19.63	1.12	20.78	1.16	21.61	1.17	23.08	1.20	24.22	1.22
		70	18.47	1.09	19.62	1.13	20.76	1.18	21.59	1.19	23.06	1.21	24.20	1.24
		75	18.02	1.15	19.17	1.20	20.31	1.24	21.14	1.25	22.60	1.28	23.75	1.30
80		17.58	1.21	18.72	1.26	19.86	1.30	20.69	1.32	22.15	1.34	23.29	1.37	
85		17.14	1.27	18.28	1.32	19.42	1.37	20.24	1.38	21.69	1.41	22.83	1.44	
90		16.70	1.33	17.84	1.38	18.97	1.43	19.79	1.45	21.24	1.47	22.38	1.50	
95		16.22	1.39	17.35	1.44	18.48	1.49	19.00	1.51	20.74	1.54	21.87	1.57	
100		15.83	1.45	16.96	1.50	18.09	1.56	18.75	1.57	20.35	1.60	21.48	1.64	
105	15.43	1.51	16.56	1.56	17.69	1.62	18.51	1.64	19.95	1.67	21.08	1.70		
110	15.04	1.57	16.17	1.62	17.30	1.68	18.11	1.70	19.56	1.73	20.69	1.77		
115	14.64	1.63	15.77	1.68	16.90	1.75	17.72	1.77	19.16	1.80	20.29	1.84		
118	14.40	1.66	15.53	1.72	16.66	1.78	17.48	1.81	18.92	1.84	20.05	1.88		
122	14.33	1.71	15.46	1.77	16.59	1.84	17.40	1.86	18.85	1.89	19.98	1.93		

TC = Total Capacity (kBtu/h).

PI = Power Input (kW).

Nominal capacity as rated: 0 ft. above sea level with 25 ft. of refrigerant piping.
0 ft. level difference between outdoor and indoor units.

Nominal cooling capacity rating obtained with air entering the indoor unit at 80°F dry bulb (DB) and 67°F wet bulb (WB), and outdoor ambient conditions of 95°F dry bulb (DB) and 75°F wet bulb (WB).

The shaded table rows indicate reference data. When operating at this temperature, these values can be different if the system is not running consistently.

PERFORMANCE DATA

Cooling Capacity Tables

MULTI F
MULTI F MAX

Table 43: LMU24CHV Cooling Capacity Table — Non-Ducted Indoor Units (continued).

Connected Indoor Units	Combination Capacity Index	Outdoor Air Temp. (°F DB)	Indoor Air Temp. °F DB / °F WB											
			68 / 57		73 / 61		77 / 64		80 / 67		86 / 72		90 / 75	
			TC	PI	TC	PI	TC	PI	TC	PI	TC	PI	TC	PI
Two (2) Non-Ducted Indoor Units	9 + 12	14	19.61	0.99	20.82	1.02	22.04	1.06	22.92	1.07	24.48	1.09	25.69	1.12
		20	19.59	1.00	20.81	1.04	22.02	1.08	22.90	1.09	24.46	1.11	25.67	1.13
		25	19.58	1.02	20.79	1.05	22.01	1.09	22.89	1.11	24.44	1.13	25.65	1.15
		30	19.56	1.03	20.78	1.07	21.99	1.11	22.87	1.12	24.42	1.14	25.64	1.16
		35	19.55	1.05	20.76	1.08	21.97	1.12	22.85	1.14	24.40	1.16	25.62	1.18
		40	19.53	1.06	20.74	1.10	21.96	1.14	22.83	1.15	24.38	1.17	25.60	1.20
		45	19.52	1.07	20.73	1.11	21.94	1.15	22.82	1.17	24.36	1.19	25.58	1.21
		50	19.50	1.09	20.71	1.13	21.92	1.17	22.80	1.18	24.35	1.20	25.56	1.23
		55	19.49	1.10	20.70	1.14	21.91	1.18	22.78	1.20	24.33	1.22	25.54	1.25
		60	19.47	1.12	20.68	1.16	21.89	1.20	22.76	1.21	24.31	1.24	25.52	1.26
		65	19.46	1.13	20.66	1.17	21.87	1.21	22.75	1.23	24.29	1.25	25.50	1.28
		70	19.44	1.15	20.65	1.19	21.86	1.23	22.73	1.24	24.27	1.27	25.48	1.29
		75	18.97	1.21	20.18	1.25	21.38	1.30	22.25	1.31	23.79	1.34	25.00	1.36
		80	18.51	1.27	19.71	1.31	20.91	1.36	21.78	1.38	23.31	1.40	24.51	1.43
		85	18.04	1.33	19.24	1.38	20.44	1.43	21.30	1.45	22.84	1.47	24.03	1.50
		90	17.58	1.39	18.77	1.44	19.97	1.50	20.83	1.51	22.36	1.54	23.56	1.57
		95	17.08	1.45	18.26	1.51	19.45	1.56	20.00	1.58	21.83	1.61	23.02	1.64
		100	16.66	1.52	17.85	1.57	19.04	1.63	19.74	1.65	21.42	1.68	22.61	1.71
		105	16.24	1.58	17.43	1.64	18.62	1.69	19.48	1.71	21.00	1.75	22.19	1.78
		110	15.83	1.64	17.02	1.70	18.21	1.76	19.07	1.78	20.59	1.81	21.78	1.85
		115	15.41	1.70	16.60	1.76	17.79	1.83	18.65	1.85	20.17	1.88	21.36	1.92
	118	15.16	1.74	16.35	1.80	17.54	1.87	18.40	1.89	19.92	1.92	21.11	1.96	
	122	15.08	1.79	16.27	1.85	17.46	1.92	18.32	1.94	19.84	1.98	21.03	2.02	
	7 + 15	14	19.61	0.99	20.82	1.02	22.04	1.06	22.92	1.07	24.48	1.09	25.69	1.12
		20	19.59	1.00	20.81	1.04	22.02	1.08	22.90	1.09	24.46	1.11	25.67	1.13
		25	19.58	1.02	20.79	1.05	22.01	1.09	22.89	1.11	24.44	1.13	25.65	1.15
		30	19.56	1.03	20.78	1.07	21.99	1.11	22.87	1.12	24.42	1.14	25.64	1.16
		35	19.55	1.05	20.76	1.08	21.97	1.12	22.85	1.14	24.40	1.16	25.62	1.18
		40	19.53	1.06	20.74	1.10	21.96	1.14	22.83	1.15	24.38	1.17	25.60	1.20
		45	19.52	1.07	20.73	1.11	21.94	1.15	22.82	1.17	24.36	1.19	25.58	1.21
		50	19.50	1.09	20.71	1.13	21.92	1.17	22.80	1.18	24.35	1.20	25.56	1.23
		55	19.49	1.10	20.70	1.14	21.91	1.18	22.78	1.20	24.33	1.22	25.54	1.25
		60	19.47	1.12	20.68	1.16	21.89	1.20	22.76	1.21	24.31	1.24	25.52	1.26
		65	19.46	1.13	20.66	1.17	21.87	1.21	22.75	1.23	24.29	1.25	25.50	1.28
		70	19.44	1.15	20.65	1.19	21.86	1.23	22.73	1.24	24.27	1.27	25.48	1.29
		75	18.97	1.21	20.18	1.25	21.38	1.30	22.25	1.31	23.79	1.34	25.00	1.36
		80	18.51	1.27	19.71	1.31	20.91	1.36	21.78	1.38	23.31	1.40	24.51	1.43
		85	18.04	1.33	19.24	1.38	20.44	1.43	21.30	1.45	22.84	1.47	24.03	1.50
		90	17.58	1.39	18.77	1.44	19.97	1.50	20.83	1.51	22.36	1.54	23.56	1.57
		95	17.08	1.45	18.26	1.51	19.45	1.56	20.00	1.58	21.83	1.61	23.02	1.64
		100	16.66	1.52	17.85	1.57	19.04	1.63	19.74	1.65	21.42	1.68	22.61	1.71
		105	16.24	1.58	17.43	1.64	18.62	1.69	19.48	1.71	21.00	1.75	22.19	1.78
110		15.83	1.64	17.02	1.70	18.21	1.76	19.07	1.78	20.59	1.81	21.78	1.85	
115		15.41	1.70	16.60	1.76	17.79	1.83	18.65	1.85	20.17	1.88	21.36	1.92	
118	15.16	1.74	16.35	1.80	17.54	1.87	18.40	1.89	19.92	1.92	21.11	1.96		
122	15.08	1.79	16.27	1.85	17.46	1.92	18.32	1.94	19.84	1.98	21.03	2.02		

TC = Total Capacity (kBtu/h).

PI = Power Input (kW).

Nominal capacity as rated: 0 ft. above sea level with 25 ft. of refrigerant piping.
0 ft. level difference between outdoor and indoor units.

Nominal cooling capacity rating obtained with air entering the indoor unit at 80°F dry bulb (DB) and 67°F wet bulb (WB), and outdoor ambient conditions of 95°F dry bulb (DB) and 75°F wet bulb (WB).

The shaded table rows indicate reference data. When operating at this temperature, these values can be different if the system is not running consistently.

Multi F and Multi F MAX Heat Pump System Engineering Manual

Table 44: LMU24CHV Cooling Capacity Table — Non-Ducted Indoor Units (continued).

Connected Indoor Units	Combination Capacity Index	Outdoor Air Temp. (°F DB)	Indoor Air Temp. °F DB / °F WB											
			68 / 57		73 / 61		77 / 64		80 / 67		86 / 72		90 / 75	
			TC	PI	TC	PI	TC	PI	TC	PI	TC	PI	TC	PI
Two (2) Non-Ducted Indoor Units	9 + 15	14	19.61	0.99	20.82	1.02	22.04	1.06	22.92	1.07	24.48	1.09	25.69	1.12
		20	19.59	1.00	20.81	1.04	22.02	1.08	22.90	1.09	24.46	1.11	25.67	1.13
		25	19.58	1.02	20.79	1.05	22.01	1.09	22.89	1.11	24.44	1.13	25.65	1.15
		30	19.56	1.03	20.78	1.07	21.99	1.11	22.87	1.12	24.42	1.14	25.64	1.16
		35	19.55	1.05	20.76	1.08	21.97	1.12	22.85	1.14	24.40	1.16	25.62	1.18
		40	19.53	1.06	20.74	1.10	21.96	1.14	22.83	1.15	24.38	1.17	25.60	1.20
		45	19.52	1.07	20.73	1.11	21.94	1.15	22.82	1.17	24.36	1.19	25.58	1.21
		50	19.50	1.09	20.71	1.13	21.92	1.17	22.80	1.18	24.35	1.20	25.56	1.23
		55	19.49	1.10	20.70	1.14	21.91	1.18	22.78	1.20	24.33	1.22	25.54	1.25
		60	19.47	1.12	20.68	1.16	21.89	1.20	22.76	1.21	24.31	1.24	25.52	1.26
		65	19.46	1.13	20.66	1.17	21.87	1.21	22.75	1.23	24.29	1.25	25.50	1.28
		70	19.44	1.15	20.65	1.19	21.86	1.23	22.73	1.24	24.27	1.27	25.48	1.29
		75	18.97	1.21	20.18	1.25	21.38	1.30	22.25	1.31	23.79	1.34	25.00	1.36
		80	18.51	1.27	19.71	1.31	20.91	1.36	21.78	1.38	23.31	1.40	24.51	1.43
		85	18.04	1.33	19.24	1.38	20.44	1.43	21.30	1.45	22.84	1.47	24.03	1.50
		90	17.58	1.39	18.77	1.44	19.97	1.50	20.83	1.51	22.36	1.54	23.56	1.57
		95	17.08	1.45	18.26	1.51	19.45	1.56	20.00	1.58	21.83	1.61	23.02	1.64
		100	16.66	1.52	17.85	1.57	19.04	1.63	19.74	1.65	21.42	1.68	22.61	1.71
		105	16.24	1.58	17.43	1.64	18.62	1.69	19.48	1.71	21.00	1.75	22.19	1.78
		110	15.83	1.64	17.02	1.70	18.21	1.76	19.07	1.78	20.59	1.81	21.78	1.85
		115	15.41	1.70	16.60	1.76	17.79	1.83	18.65	1.85	20.17	1.88	21.36	1.92
	118	15.16	1.74	16.35	1.80	17.54	1.87	18.40	1.89	19.92	1.92	21.11	1.96	
	122	15.08	1.79	16.27	1.85	17.46	1.92	18.32	1.94	19.84	1.98	21.03	2.02	
	12 + 12	14	19.61	0.99	20.82	1.02	22.04	1.06	22.92	1.07	24.48	1.09	25.69	1.12
		20	19.59	1.00	20.81	1.04	22.02	1.08	22.90	1.09	24.46	1.11	25.67	1.13
		25	19.58	1.02	20.79	1.05	22.01	1.09	22.89	1.11	24.44	1.13	25.65	1.15
		30	19.56	1.03	20.78	1.07	21.99	1.11	22.87	1.12	24.42	1.14	25.64	1.16
		35	19.55	1.05	20.76	1.08	21.97	1.12	22.85	1.14	24.40	1.16	25.62	1.18
		40	19.53	1.06	20.74	1.10	21.96	1.14	22.83	1.15	24.38	1.17	25.60	1.20
		45	19.52	1.07	20.73	1.11	21.94	1.15	22.82	1.17	24.36	1.19	25.58	1.21
		50	19.50	1.09	20.71	1.13	21.92	1.17	22.80	1.18	24.35	1.20	25.56	1.23
		55	19.49	1.10	20.70	1.14	21.91	1.18	22.78	1.20	24.33	1.22	25.54	1.25
		60	19.47	1.12	20.68	1.16	21.89	1.20	22.76	1.21	24.31	1.24	25.52	1.26
		65	19.46	1.13	20.66	1.17	21.87	1.21	22.75	1.23	24.29	1.25	25.50	1.28
		70	19.44	1.15	20.65	1.19	21.86	1.23	22.73	1.24	24.27	1.27	25.48	1.29
		75	18.97	1.21	20.18	1.25	21.38	1.30	22.25	1.31	23.79	1.34	25.00	1.36
		80	18.51	1.27	19.71	1.31	20.91	1.36	21.78	1.38	23.31	1.40	24.51	1.43
		85	18.04	1.33	19.24	1.38	20.44	1.43	21.30	1.45	22.84	1.47	24.03	1.50
		90	17.58	1.39	18.77	1.44	19.97	1.50	20.83	1.51	22.36	1.54	23.56	1.57
		95	17.08	1.45	18.26	1.51	19.45	1.56	20.00	1.58	21.83	1.61	23.02	1.64
		100	16.66	1.52	17.85	1.57	19.04	1.63	19.74	1.65	21.42	1.68	22.61	1.71
		105	16.24	1.58	17.43	1.64	18.62	1.69	19.48	1.71	21.00	1.75	22.19	1.78
110		15.83	1.64	17.02	1.70	18.21	1.76	19.07	1.78	20.59	1.81	21.78	1.85	
115		15.41	1.70	16.60	1.76	17.79	1.83	18.65	1.85	20.17	1.88	21.36	1.92	
118	15.16	1.74	16.35	1.80	17.54	1.87	18.40	1.89	19.92	1.92	21.11	1.96		
122	15.08	1.79	16.27	1.85	17.46	1.92	18.32	1.94	19.84	1.98	21.03	2.02		

TC = Total Capacity (kBtu/h).

PI = Power Input (kW).

Nominal capacity as rated: 0 ft. above sea level with 25 ft. of refrigerant piping.
0 ft. level difference between outdoor and indoor units.

Nominal cooling capacity rating obtained with air entering the indoor unit at 80°F dry bulb (DB) and 67°F wet bulb (WB), and outdoor ambient conditions of 95°F dry bulb (DB) and 75°F wet bulb (WB).

The shaded table rows indicate reference data. When operating at this temperature, these values can be different if the system is not running consistently.

PERFORMANCE DATA

Cooling Capacity Tables

MULTI F
MULTI F MAX

Multi F and Multi F MAX Heat Pump System Engineering Manual

Table 45: LMU24CHV Cooling Capacity Table — Non-Ducted Indoor Units (continued).

Connected Indoor Units	Combination Capacity Index	Outdoor Air Temp. (°F DB)	Indoor Air Temp. °F DB / °F WB											
			68 / 57		73 / 61		77 / 64		80 / 67		86 / 72		90 / 75	
			TC	PI	TC	PI	TC	PI	TC	PI	TC	PI	TC	PI
Two (2) Non-Ducted Indoor Units	7 + 18	14	19.61	0.99	20.82	1.02	22.04	1.06	22.92	1.07	24.48	1.09	25.69	1.12
		20	19.59	1.00	20.81	1.04	22.02	1.08	22.90	1.09	24.46	1.11	25.67	1.13
		25	19.58	1.02	20.79	1.05	22.01	1.09	22.89	1.11	24.44	1.13	25.65	1.15
		30	19.56	1.03	20.78	1.07	21.99	1.11	22.87	1.12	24.42	1.14	25.64	1.16
		35	19.55	1.05	20.76	1.08	21.97	1.12	22.85	1.14	24.40	1.16	25.62	1.18
		40	19.53	1.06	20.74	1.10	21.96	1.14	22.83	1.15	24.38	1.17	25.60	1.20
		45	19.52	1.07	20.73	1.11	21.94	1.15	22.82	1.17	24.36	1.19	25.58	1.21
		50	19.50	1.09	20.71	1.13	21.92	1.17	22.80	1.18	24.35	1.20	25.56	1.23
		55	19.49	1.10	20.70	1.14	21.91	1.18	22.78	1.20	24.33	1.22	25.54	1.25
		60	19.47	1.12	20.68	1.16	21.89	1.20	22.76	1.21	24.31	1.24	25.52	1.26
		65	19.46	1.13	20.66	1.17	21.87	1.21	22.75	1.23	24.29	1.25	25.50	1.28
		70	19.44	1.15	20.65	1.19	21.86	1.23	22.73	1.24	24.27	1.27	25.48	1.29
		75	18.97	1.21	20.18	1.25	21.38	1.30	22.25	1.31	23.79	1.34	25.00	1.36
		80	18.51	1.27	19.71	1.31	20.91	1.36	21.78	1.38	23.31	1.40	24.51	1.43
		85	18.04	1.33	19.24	1.38	20.44	1.43	21.30	1.45	22.84	1.47	24.03	1.50
		90	17.58	1.39	18.77	1.44	19.97	1.50	20.83	1.51	22.36	1.54	23.56	1.57
		95	17.08	1.45	18.26	1.51	19.45	1.56	20.00	1.58	21.83	1.61	23.02	1.64
		100	16.66	1.52	17.85	1.57	19.04	1.63	19.74	1.65	21.42	1.68	22.61	1.71
	105	16.24	1.58	17.43	1.64	18.62	1.69	19.48	1.71	21.00	1.75	22.19	1.78	
	110	15.83	1.64	17.02	1.70	18.21	1.76	19.07	1.78	20.59	1.81	21.78	1.85	
	115	15.41	1.70	16.60	1.76	17.79	1.83	18.65	1.85	20.17	1.88	21.36	1.92	
	118	15.16	1.74	16.35	1.80	17.54	1.87	18.40	1.89	19.92	1.92	21.11	1.96	
	122	15.08	1.79	16.27	1.85	17.46	1.92	18.32	1.94	19.84	1.98	21.03	2.02	
	9 + 18	14	19.61	0.99	20.82	1.02	22.04	1.06	22.92	1.07	24.48	1.09	25.69	1.12
		20	19.59	1.00	20.81	1.04	22.02	1.08	22.90	1.09	24.46	1.11	25.67	1.13
		25	19.58	1.02	20.79	1.05	22.01	1.09	22.89	1.11	24.44	1.13	25.65	1.15
		30	19.56	1.03	20.78	1.07	21.99	1.11	22.87	1.12	24.42	1.14	25.64	1.16
		35	19.55	1.05	20.76	1.08	21.97	1.12	22.85	1.14	24.40	1.16	25.62	1.18
		40	19.53	1.06	20.74	1.10	21.96	1.14	22.83	1.15	24.38	1.17	25.60	1.20
		45	19.52	1.07	20.73	1.11	21.94	1.15	22.82	1.17	24.36	1.19	25.58	1.21
		50	19.50	1.09	20.71	1.13	21.92	1.17	22.80	1.18	24.35	1.20	25.56	1.23
		55	19.49	1.10	20.70	1.14	21.91	1.18	22.78	1.20	24.33	1.22	25.54	1.25
		60	19.47	1.12	20.68	1.16	21.89	1.20	22.76	1.21	24.31	1.24	25.52	1.26
		65	19.46	1.13	20.66	1.17	21.87	1.21	22.75	1.23	24.29	1.25	25.50	1.28
		70	19.44	1.15	20.65	1.19	21.86	1.23	22.73	1.24	24.27	1.27	25.48	1.29
		75	18.97	1.21	20.18	1.25	21.38	1.30	22.25	1.31	23.79	1.34	25.00	1.36
		80	18.51	1.27	19.71	1.31	20.91	1.36	21.78	1.38	23.31	1.40	24.51	1.43
	85	18.04	1.33	19.24	1.38	20.44	1.43	21.30	1.45	22.84	1.47	24.03	1.50	
	90	17.58	1.39	18.77	1.44	19.97	1.50	20.83	1.51	22.36	1.54	23.56	1.57	
	95	17.08	1.45	18.26	1.51	19.45	1.56	20.00	1.58	21.83	1.61	23.02	1.64	
	100	16.66	1.52	17.85	1.57	19.04	1.63	19.74	1.65	21.42	1.68	22.61	1.71	
	105	16.24	1.58	17.43	1.64	18.62	1.69	19.48	1.71	21.00	1.75	22.19	1.78	
110	15.83	1.64	17.02	1.70	18.21	1.76	19.07	1.78	20.59	1.81	21.78	1.85		
115	15.41	1.70	16.60	1.76	17.79	1.83	18.65	1.85	20.17	1.88	21.36	1.92		
118	15.16	1.74	16.35	1.80	17.54	1.87	18.40	1.89	19.92	1.92	21.11	1.96		
122	15.08	1.79	16.27	1.85	17.46	1.92	18.32	1.94	19.84	1.98	21.03	2.02		

TC = Total Capacity (kBtu/h).

PI = Power Input (kW).

Nominal capacity as rated: 0 ft. above sea level with 25 ft. of refrigerant piping.
0 ft. level difference between outdoor and indoor units.

Nominal cooling capacity rating obtained with air entering the indoor unit at 80°F dry bulb (DB) and 67°F wet bulb (WB), and outdoor ambient conditions of 95°F dry bulb (DB) and 75°F wet bulb (WB).

The shaded table rows indicate reference data. When operating at this temperature, these values can be different if the system is not running consistently.

Table 46: LMU24CHV Cooling Capacity Table — Non-Ducted Indoor Units (continued).

Connected Indoor Units	Combination Capacity Index	Outdoor Air Temp. (°F DB)	Indoor Air Temp. °F DB / °F WB											
			68 / 57		73 / 61		77 / 64		80 / 67		86 / 72		90 / 75	
			TC	PI	TC	PI	TC	PI	TC	PI	TC	PI	TC	PI
Two (2) Non-Ducted Indoor Units	12 + 15	14	19.61	0.99	20.82	1.02	22.04	1.06	22.92	1.07	24.48	1.09	25.69	1.12
		20	19.59	1.00	20.81	1.04	22.02	1.08	22.90	1.09	24.46	1.11	25.67	1.13
		25	19.58	1.02	20.79	1.05	22.01	1.09	22.89	1.11	24.44	1.13	25.65	1.15
		30	19.56	1.03	20.78	1.07	21.99	1.11	22.87	1.12	24.42	1.14	25.64	1.16
		35	19.55	1.05	20.76	1.08	21.97	1.12	22.85	1.14	24.40	1.16	25.62	1.18
		40	19.53	1.06	20.74	1.10	21.96	1.14	22.83	1.15	24.38	1.17	25.60	1.20
		45	19.52	1.07	20.73	1.11	21.94	1.15	22.82	1.17	24.36	1.19	25.58	1.21
		50	19.50	1.09	20.71	1.13	21.92	1.17	22.80	1.18	24.35	1.20	25.56	1.23
		55	19.49	1.10	20.70	1.14	21.91	1.18	22.78	1.20	24.33	1.22	25.54	1.25
		60	19.47	1.12	20.68	1.16	21.89	1.20	22.76	1.21	24.31	1.24	25.52	1.26
		65	19.46	1.13	20.66	1.17	21.87	1.21	22.75	1.23	24.29	1.25	25.50	1.28
		70	19.44	1.15	20.65	1.19	21.86	1.23	22.73	1.24	24.27	1.27	25.48	1.29
		75	18.97	1.21	20.18	1.25	21.38	1.30	22.25	1.31	23.79	1.34	25.00	1.36
		80	18.51	1.27	19.71	1.31	20.91	1.36	21.78	1.38	23.31	1.40	24.51	1.43
		85	18.04	1.33	19.24	1.38	20.44	1.43	21.30	1.45	22.84	1.47	24.03	1.50
		90	17.58	1.39	18.77	1.44	19.97	1.50	20.83	1.51	22.36	1.54	23.56	1.57
		95	17.08	1.45	18.26	1.51	19.45	1.56	20.00	1.58	21.83	1.61	23.02	1.64
		100	16.66	1.52	17.85	1.57	19.04	1.63	19.74	1.65	21.42	1.68	22.61	1.71
		105	16.24	1.58	17.43	1.64	18.62	1.69	19.48	1.71	21.00	1.75	22.19	1.78
		110	15.83	1.64	17.02	1.70	18.21	1.76	19.07	1.78	20.59	1.81	21.78	1.85
		115	15.41	1.70	16.60	1.76	17.79	1.83	18.65	1.85	20.17	1.88	21.36	1.92
	118	15.16	1.74	16.35	1.80	17.54	1.87	18.40	1.89	19.92	1.92	21.11	1.96	
	122	15.08	1.79	16.27	1.85	17.46	1.92	18.32	1.94	19.84	1.98	21.03	2.02	
	12 + 18	14	19.61	0.99	20.82	1.02	22.04	1.06	22.92	1.07	24.48	1.09	25.69	1.12
		20	19.59	1.00	20.81	1.04	22.02	1.08	22.90	1.09	24.46	1.11	25.67	1.13
		25	19.58	1.02	20.79	1.05	22.01	1.09	22.89	1.11	24.44	1.13	25.65	1.15
		30	19.56	1.03	20.78	1.07	21.99	1.11	22.87	1.12	24.42	1.14	25.64	1.16
		35	19.55	1.05	20.76	1.08	21.97	1.12	22.85	1.14	24.40	1.16	25.62	1.18
		40	19.53	1.06	20.74	1.10	21.96	1.14	22.83	1.15	24.38	1.17	25.60	1.20
		45	19.52	1.07	20.73	1.11	21.94	1.15	22.82	1.17	24.36	1.19	25.58	1.21
		50	19.50	1.09	20.71	1.13	21.92	1.17	22.80	1.18	24.35	1.20	25.56	1.23
		55	19.49	1.10	20.70	1.14	21.91	1.18	22.78	1.20	24.33	1.22	25.54	1.25
		60	19.47	1.12	20.68	1.16	21.89	1.20	22.76	1.21	24.31	1.24	25.52	1.26
		65	19.46	1.13	20.66	1.17	21.87	1.21	22.75	1.23	24.29	1.25	25.50	1.28
		70	19.44	1.15	20.65	1.19	21.86	1.23	22.73	1.24	24.27	1.27	25.48	1.29
		75	18.97	1.21	20.18	1.25	21.38	1.30	22.25	1.31	23.79	1.34	25.00	1.36
		80	18.51	1.27	19.71	1.31	20.91	1.36	21.78	1.38	23.31	1.40	24.51	1.43
		85	18.04	1.33	19.24	1.38	20.44	1.43	21.30	1.45	22.84	1.47	24.03	1.50
		90	17.58	1.39	18.77	1.44	19.97	1.50	20.83	1.51	22.36	1.54	23.56	1.57
		95	17.08	1.45	18.26	1.51	19.45	1.56	20.00	1.58	21.83	1.61	23.02	1.64
		100	16.66	1.52	17.85	1.57	19.04	1.63	19.74	1.65	21.42	1.68	22.61	1.71
		105	16.24	1.58	17.43	1.64	18.62	1.69	19.48	1.71	21.00	1.75	22.19	1.78
110		15.83	1.64	17.02	1.70	18.21	1.76	19.07	1.78	20.59	1.81	21.78	1.85	
115		15.41	1.70	16.60	1.76	17.79	1.83	18.65	1.85	20.17	1.88	21.36	1.92	
118	15.16	1.74	16.35	1.80	17.54	1.87	18.40	1.89	19.92	1.92	21.11	1.96		
122	15.08	1.79	16.27	1.85	17.46	1.92	18.32	1.94	19.84	1.98	21.03	2.02		

TC = Total Capacity (kBtu/h).

PI = Power Input (kW).

Nominal capacity as rated: 0 ft. above sea level with 25 ft. of refrigerant piping.
0 ft. level difference between outdoor and indoor units.

Nominal cooling capacity rating obtained with air entering the indoor unit at 80°F dry bulb (DB) and 67°F wet bulb (WB), and outdoor ambient conditions of 95°F dry bulb (DB) and 75°F wet bulb (WB).

The shaded table rows indicate reference data. When operating at this temperature, these values can be different if the system is not running consistently.

PERFORMANCE DATA

Cooling Capacity Tables

MULTI F
MULTI F MAX

Table 47: LMU24CHV Cooling Capacity Table — Non-Ducted Indoor Units (continued).

Connected Indoor Units	Combination Capacity Index	Outdoor Air Temp. (°F DB)	Indoor Air Temp. °F DB / °F WB											
			68 / 57		73 / 61		77 / 64		80 / 67		86 / 72		90 / 75	
			TC	PI	TC	PI	TC	PI	TC	PI	TC	PI	TC	PI
Two (2) Non-Ducted Indoor Units	15 + 15	14	19.61	0.99	20.82	1.02	22.04	1.06	22.92	1.07	24.48	1.09	25.69	1.12
		20	19.59	1.00	20.81	1.04	22.02	1.08	22.90	1.09	24.46	1.11	25.67	1.13
		25	19.58	1.02	20.79	1.05	22.01	1.09	22.89	1.11	24.44	1.13	25.65	1.15
		30	19.56	1.03	20.78	1.07	21.99	1.11	22.87	1.12	24.42	1.14	25.64	1.16
		35	19.55	1.05	20.76	1.08	21.97	1.12	22.85	1.14	24.40	1.16	25.62	1.18
		40	19.53	1.06	20.74	1.10	21.96	1.14	22.83	1.15	24.38	1.17	25.60	1.20
		45	19.52	1.07	20.73	1.11	21.94	1.15	22.82	1.17	24.36	1.19	25.58	1.21
		50	19.50	1.09	20.71	1.13	21.92	1.17	22.80	1.18	24.35	1.20	25.56	1.23
		55	19.49	1.10	20.70	1.14	21.91	1.18	22.78	1.20	24.33	1.22	25.54	1.25
		60	19.47	1.12	20.68	1.16	21.89	1.20	22.76	1.21	24.31	1.24	25.52	1.26
		65	19.46	1.13	20.66	1.17	21.87	1.21	22.75	1.23	24.29	1.25	25.50	1.28
		70	19.44	1.15	20.65	1.19	21.86	1.23	22.73	1.24	24.27	1.27	25.48	1.29
		75	18.97	1.21	20.18	1.25	21.38	1.30	22.25	1.31	23.79	1.34	25.00	1.36
		80	18.51	1.27	19.71	1.31	20.91	1.36	21.78	1.38	23.31	1.40	24.51	1.43
		85	18.04	1.33	19.24	1.38	20.44	1.43	21.30	1.45	22.84	1.47	24.03	1.50
		90	17.58	1.39	18.77	1.44	19.97	1.50	20.83	1.51	22.36	1.54	23.56	1.57
		95	17.08	1.45	18.26	1.51	19.45	1.56	20.00	1.58	21.83	1.61	23.02	1.64
		100	16.66	1.52	17.85	1.57	19.04	1.63	19.74	1.65	21.42	1.68	22.61	1.71
		105	16.24	1.58	17.43	1.64	18.62	1.69	19.48	1.71	21.00	1.75	22.19	1.78
		110	15.83	1.64	17.02	1.70	18.21	1.76	19.07	1.78	20.59	1.81	21.78	1.85
		115	15.41	1.70	16.60	1.76	17.79	1.83	18.65	1.85	20.17	1.88	21.36	1.92
	118	15.16	1.74	16.35	1.80	17.54	1.87	18.40	1.89	19.92	1.92	21.11	1.96	
	122	15.08	1.79	16.27	1.85	17.46	1.92	18.32	1.94	19.84	1.98	21.03	2.02	
	7 + 24	14	19.61	0.99	20.82	1.02	22.04	1.06	22.92	1.07	24.48	1.09	25.69	1.12
		20	19.59	1.00	20.81	1.04	22.02	1.08	22.90	1.09	24.46	1.11	25.67	1.13
		25	19.58	1.02	20.79	1.05	22.01	1.09	22.89	1.11	24.44	1.13	25.65	1.15
		30	19.56	1.03	20.78	1.07	21.99	1.11	22.87	1.12	24.42	1.14	25.64	1.16
		35	19.55	1.05	20.76	1.08	21.97	1.12	22.85	1.14	24.40	1.16	25.62	1.18
		40	19.53	1.06	20.74	1.10	21.96	1.14	22.83	1.15	24.38	1.17	25.60	1.20
		45	19.52	1.07	20.73	1.11	21.94	1.15	22.82	1.17	24.36	1.19	25.58	1.21
		50	19.50	1.09	20.71	1.13	21.92	1.17	22.80	1.18	24.35	1.20	25.56	1.23
		55	19.49	1.10	20.70	1.14	21.91	1.18	22.78	1.20	24.33	1.22	25.54	1.25
		60	19.47	1.12	20.68	1.16	21.89	1.20	22.76	1.21	24.31	1.24	25.52	1.26
		65	19.46	1.13	20.66	1.17	21.87	1.21	22.75	1.23	24.29	1.25	25.50	1.28
		70	19.44	1.15	20.65	1.19	21.86	1.23	22.73	1.24	24.27	1.27	25.48	1.29
		75	18.97	1.21	20.18	1.25	21.38	1.30	22.25	1.31	23.79	1.34	25.00	1.36
		80	18.51	1.27	19.71	1.31	20.91	1.36	21.78	1.38	23.31	1.40	24.51	1.43
		85	18.04	1.33	19.24	1.38	20.44	1.43	21.30	1.45	22.84	1.47	24.03	1.50
		90	17.58	1.39	18.77	1.44	19.97	1.50	20.83	1.51	22.36	1.54	23.56	1.57
		95	17.08	1.45	18.26	1.51	19.45	1.56	20.00	1.58	21.83	1.61	23.02	1.64
		100	16.66	1.52	17.85	1.57	19.04	1.63	19.74	1.65	21.42	1.68	22.61	1.71
		105	16.24	1.58	17.43	1.64	18.62	1.69	19.48	1.71	21.00	1.75	22.19	1.78
110		15.83	1.64	17.02	1.70	18.21	1.76	19.07	1.78	20.59	1.81	21.78	1.85	
115		15.41	1.70	16.60	1.76	17.79	1.83	18.65	1.85	20.17	1.88	21.36	1.92	
118	15.16	1.74	16.35	1.80	17.54	1.87	18.40	1.89	19.92	1.92	21.11	1.96		
122	15.08	1.79	16.27	1.85	17.46	1.92	18.32	1.94	19.84	1.98	21.03	2.02		

TC = Total Capacity (kBtu/h).

PI = Power Input (kW).

Nominal capacity as rated: 0 ft. above sea level with 25 ft. of refrigerant piping.
0 ft. level difference between outdoor and indoor units.

Nominal cooling capacity rating obtained with air entering the indoor unit at 80°F dry bulb (DB) and 67°F wet bulb (WB), and outdoor ambient conditions of 95°F dry bulb (DB) and 75°F wet bulb (WB).

The shaded table rows indicate reference data. When operating at this temperature, these values can be different if the system is not running consistently.

Multi F and Multi F MAX Heat Pump System Engineering Manual

Table 48: LMU24CHV Cooling Capacity Table — Non-Ducted Indoor Units (continued).

Connected Indoor Units	Combination Capacity Index	Outdoor Air Temp. (°F DB)	Indoor Air Temp. °F DB / °F WB											
			68 / 57		73 / 61		77 / 64		80 / 67		86 / 72		90 / 75	
			TC	PI	TC	PI	TC	PI	TC	PI	TC	PI	TC	PI
Two (2) Non-Ducted Indoor Units	9 + 24	14	19.61	0.99	20.82	1.02	22.04	1.06	22.92	1.07	24.48	1.09	25.69	1.12
		20	19.59	1.00	20.81	1.04	22.02	1.08	22.90	1.09	24.46	1.11	25.67	1.13
		25	19.58	1.02	20.79	1.05	22.01	1.09	22.89	1.11	24.44	1.13	25.65	1.15
		30	19.56	1.03	20.78	1.07	21.99	1.11	22.87	1.12	24.42	1.14	25.64	1.16
		35	19.55	1.05	20.76	1.08	21.97	1.12	22.85	1.14	24.40	1.16	25.62	1.18
		40	19.53	1.06	20.74	1.10	21.96	1.14	22.83	1.15	24.38	1.17	25.60	1.20
		45	19.52	1.07	20.73	1.11	21.94	1.15	22.82	1.17	24.36	1.19	25.58	1.21
		50	19.50	1.09	20.71	1.13	21.92	1.17	22.80	1.18	24.35	1.20	25.56	1.23
		55	19.49	1.10	20.70	1.14	21.91	1.18	22.78	1.20	24.33	1.22	25.54	1.25
		60	19.47	1.12	20.68	1.16	21.89	1.20	22.76	1.21	24.31	1.24	25.52	1.26
		65	19.46	1.13	20.66	1.17	21.87	1.21	22.75	1.23	24.29	1.25	25.50	1.28
		70	19.44	1.15	20.65	1.19	21.86	1.23	22.73	1.24	24.27	1.27	25.48	1.29
		75	18.97	1.21	20.18	1.25	21.38	1.30	22.25	1.31	23.79	1.34	25.00	1.36
		80	18.51	1.27	19.71	1.31	20.91	1.36	21.78	1.38	23.31	1.40	24.51	1.43
		85	18.04	1.33	19.24	1.38	20.44	1.43	21.30	1.45	22.84	1.47	24.03	1.50
		90	17.58	1.39	18.77	1.44	19.97	1.50	20.83	1.51	22.36	1.54	23.56	1.57
		95	17.08	1.45	18.26	1.51	19.45	1.56	20.00	1.58	21.83	1.61	23.02	1.64
		100	16.66	1.52	17.85	1.57	19.04	1.63	19.74	1.65	21.42	1.68	22.61	1.71
		105	16.24	1.58	17.43	1.64	18.62	1.69	19.48	1.71	21.00	1.75	22.19	1.78
		110	15.83	1.64	17.02	1.70	18.21	1.76	19.07	1.78	20.59	1.81	21.78	1.85
		115	15.41	1.70	16.60	1.76	17.79	1.83	18.65	1.85	20.17	1.88	21.36	1.92
	118	15.16	1.74	16.35	1.80	17.54	1.87	18.40	1.89	19.92	1.92	21.11	1.96	
	122	15.08	1.79	16.27	1.85	17.46	1.92	18.32	1.94	19.84	1.98	21.03	2.02	
	15 + 18	14	19.61	0.99	20.82	1.02	22.04	1.06	22.92	1.07	24.48	1.09	25.69	1.12
		20	19.59	1.00	20.81	1.04	22.02	1.08	22.90	1.09	24.46	1.11	25.67	1.13
		25	19.58	1.02	20.79	1.05	22.01	1.09	22.89	1.11	24.44	1.13	25.65	1.15
		30	19.56	1.03	20.78	1.07	21.99	1.11	22.87	1.12	24.42	1.14	25.64	1.16
		35	19.55	1.05	20.76	1.08	21.97	1.12	22.85	1.14	24.40	1.16	25.62	1.18
		40	19.53	1.06	20.74	1.10	21.96	1.14	22.83	1.15	24.38	1.17	25.60	1.20
		45	19.52	1.07	20.73	1.11	21.94	1.15	22.82	1.17	24.36	1.19	25.58	1.21
		50	19.50	1.09	20.71	1.13	21.92	1.17	22.80	1.18	24.35	1.20	25.56	1.23
		55	19.49	1.10	20.70	1.14	21.91	1.18	22.78	1.20	24.33	1.22	25.54	1.25
		60	19.47	1.12	20.68	1.16	21.89	1.20	22.76	1.21	24.31	1.24	25.52	1.26
		65	19.46	1.13	20.66	1.17	21.87	1.21	22.75	1.23	24.29	1.25	25.50	1.28
		70	19.44	1.15	20.65	1.19	21.86	1.23	22.73	1.24	24.27	1.27	25.48	1.29
		75	18.97	1.21	20.18	1.25	21.38	1.30	22.25	1.31	23.79	1.34	25.00	1.36
		80	18.51	1.27	19.71	1.31	20.91	1.36	21.78	1.38	23.31	1.40	24.51	1.43
		85	18.04	1.33	19.24	1.38	20.44	1.43	21.30	1.45	22.84	1.47	24.03	1.50
		90	17.58	1.39	18.77	1.44	19.97	1.50	20.83	1.51	22.36	1.54	23.56	1.57
		95	17.08	1.45	18.26	1.51	19.45	1.56	20.00	1.58	21.83	1.61	23.02	1.64
		100	16.66	1.52	17.85	1.57	19.04	1.63	19.74	1.65	21.42	1.68	22.61	1.71
		105	16.24	1.58	17.43	1.64	18.62	1.69	19.48	1.71	21.00	1.75	22.19	1.78
110		15.83	1.64	17.02	1.70	18.21	1.76	19.07	1.78	20.59	1.81	21.78	1.85	
115		15.41	1.70	16.60	1.76	17.79	1.83	18.65	1.85	20.17	1.88	21.36	1.92	
118	15.16	1.74	16.35	1.80	17.54	1.87	18.40	1.89	19.92	1.92	21.11	1.96		
122	15.08	1.79	16.27	1.85	17.46	1.92	18.32	1.94	19.84	1.98	21.03	2.02		

TC = Total Capacity (kBtu/h).

PI = Power Input (kW).

Nominal capacity as rated: 0 ft. above sea level with 25 ft. of refrigerant piping.
0 ft. level difference between outdoor and indoor units.

Nominal cooling capacity rating obtained with air entering the indoor unit at 80°F dry bulb (DB) and 67°F wet bulb (WB), and outdoor ambient conditions of 95°F dry bulb (DB) and 75°F wet bulb (WB).

The shaded table rows indicate reference data. When operating at this temperature, these values can be different if the system is not running consistently.

PERFORMANCE DATA

Cooling Capacity Tables

MULTI F
MULTI F MAX

Table 49: LMU24CHV Cooling Capacity Table — Non-Ducted Indoor Units (continued).

Connected Indoor Units	Combination Capacity Index	Outdoor Air Temp. (°F DB)	Indoor Air Temp. °F DB / °F WB											
			68 / 57		73 / 61		77 / 64		80 / 67		86 / 72		90 / 75	
			TC	PI	TC	PI	TC	PI	TC	PI	TC	PI	TC	PI
Three (3) Non-Ducted Indoor Units	7 + 7 + 7	14	19.61	0.93	20.82	0.96	22.04	1.00	22.92	1.01	24.48	1.03	25.69	1.05
		20	19.59	0.94	20.81	0.97	22.02	1.01	22.90	1.02	24.46	1.04	25.67	1.06
		25	19.58	0.95	20.79	0.99	22.01	1.02	22.89	1.04	24.44	1.06	25.65	1.08
		30	19.56	0.97	20.78	1.00	21.99	1.04	22.87	1.05	24.42	1.07	25.64	1.09
		35	19.55	0.98	20.76	1.02	21.97	1.05	22.85	1.07	24.40	1.09	25.62	1.11
		40	19.53	0.99	20.74	1.03	21.96	1.07	22.83	1.08	24.38	1.10	25.60	1.12
		45	19.52	1.01	20.73	1.04	21.94	1.08	22.82	1.09	24.36	1.11	25.58	1.14
		50	19.50	1.02	20.71	1.06	21.92	1.10	22.80	1.11	24.35	1.13	25.56	1.15
		55	19.49	1.03	20.70	1.07	21.91	1.11	22.78	1.12	24.33	1.14	25.54	1.17
		60	19.47	1.05	20.68	1.08	21.89	1.12	22.76	1.14	24.31	1.16	25.52	1.18
		65	19.46	1.06	20.66	1.10	21.87	1.14	22.75	1.15	24.29	1.17	25.50	1.20
		70	19.44	1.07	20.65	1.11	21.86	1.15	22.73	1.17	24.27	1.19	25.48	1.21
		75	18.97	1.13	20.18	1.17	21.38	1.22	22.25	1.23	23.79	1.25	25.00	1.28
		80	18.51	1.19	19.71	1.23	20.91	1.28	21.78	1.29	23.31	1.32	24.51	1.34
		85	18.04	1.25	19.24	1.29	20.44	1.34	21.30	1.36	22.84	1.38	24.03	1.41
		90	17.58	1.30	18.77	1.35	19.97	1.40	20.83	1.42	22.36	1.44	23.56	1.47
		95	17.08	1.36	18.26	1.41	19.45	1.46	20.00	1.48	21.83	1.51	23.02	1.54
		100	16.66	1.42	17.85	1.47	19.04	1.53	19.74	1.54	21.42	1.57	22.61	1.60
		105	16.24	1.48	17.43	1.53	18.62	1.59	19.48	1.61	21.00	1.64	22.19	1.67
		110	15.83	1.54	17.02	1.59	18.21	1.65	19.07	1.67	20.59	1.70	21.78	1.74
		115	15.41	1.59	16.60	1.65	17.79	1.71	18.65	1.73	20.17	1.77	21.36	1.80
		118	15.16	1.63	16.35	1.69	17.54	1.75	18.40	1.77	19.92	1.80	21.11	1.84
	122	15.08	1.68	16.27	1.74	17.46	1.80	18.32	1.82	19.84	1.85	21.03	1.89	
	7 + 7 + 9	14	19.61	0.93	20.82	0.96	22.04	1.00	22.92	1.01	24.48	1.03	25.69	1.05
		20	19.59	0.94	20.81	0.97	22.02	1.01	22.90	1.02	24.46	1.04	25.67	1.06
		25	19.58	0.95	20.79	0.99	22.01	1.02	22.89	1.04	24.44	1.06	25.65	1.08
		30	19.56	0.97	20.78	1.00	21.99	1.04	22.87	1.05	24.42	1.07	25.64	1.09
		35	19.55	0.98	20.76	1.02	21.97	1.05	22.85	1.07	24.40	1.09	25.62	1.11
		40	19.53	0.99	20.74	1.03	21.96	1.07	22.83	1.08	24.38	1.10	25.60	1.12
		45	19.52	1.01	20.73	1.04	21.94	1.08	22.82	1.09	24.36	1.11	25.58	1.14
		50	19.50	1.02	20.71	1.06	21.92	1.10	22.80	1.11	24.35	1.13	25.56	1.15
		55	19.49	1.03	20.70	1.07	21.91	1.11	22.78	1.12	24.33	1.14	25.54	1.17
		60	19.47	1.05	20.68	1.08	21.89	1.12	22.76	1.14	24.31	1.16	25.52	1.18
		65	19.46	1.06	20.66	1.10	21.87	1.14	22.75	1.15	24.29	1.17	25.50	1.20
		70	19.44	1.07	20.65	1.11	21.86	1.15	22.73	1.17	24.27	1.19	25.48	1.21
		75	18.97	1.13	20.18	1.17	21.38	1.22	22.25	1.23	23.79	1.25	25.00	1.28
		80	18.51	1.19	19.71	1.23	20.91	1.28	21.78	1.29	23.31	1.32	24.51	1.34
		85	18.04	1.25	19.24	1.29	20.44	1.34	21.30	1.36	22.84	1.38	24.03	1.41
		90	17.58	1.30	18.77	1.35	19.97	1.40	20.83	1.42	22.36	1.44	23.56	1.47
		95	17.08	1.36	18.26	1.41	19.45	1.46	20.00	1.48	21.83	1.51	23.02	1.54
		100	16.66	1.42	17.85	1.47	19.04	1.53	19.74	1.54	21.42	1.57	22.61	1.60
		105	16.24	1.48	17.43	1.53	18.62	1.59	19.48	1.61	21.00	1.64	22.19	1.67
110		15.83	1.54	17.02	1.59	18.21	1.65	19.07	1.67	20.59	1.70	21.78	1.74	
115		15.41	1.59	16.60	1.65	17.79	1.71	18.65	1.73	20.17	1.77	21.36	1.80	
118		15.16	1.63	16.35	1.69	17.54	1.75	18.40	1.77	19.92	1.80	21.11	1.84	
122	15.08	1.68	16.27	1.74	17.46	1.80	18.32	1.82	19.84	1.85	21.03	1.89		

TC = Total Capacity (kBtu/h).

PI = Power Input (kW).

Nominal capacity as rated: 0 ft. above sea level with 25 ft. of refrigerant piping.
0 ft. level difference between outdoor and indoor units.

Nominal cooling capacity rating obtained with air entering the indoor unit at 80°F dry bulb (DB) and 67°F wet bulb (WB), and outdoor ambient conditions of 95°F dry bulb (DB) and 75°F wet bulb (WB).

The shaded table rows indicate reference data. When operating at this temperature, these values can be different if the system is not running consistently.

Multi F and Multi F MAX Heat Pump System Engineering Manual

Table 50: LMU24CHV Cooling Capacity Table — Non-Ducted Indoor Units (continued).

Connected Indoor Units	Combination Capacity Index	Outdoor Air Temp. (°F DB)	Indoor Air Temp. °F DB / °F WB											
			68 / 57		73 / 61		77 / 64		80 / 67		86 / 72		90 / 75	
			TC	PI	TC	PI	TC	PI	TC	PI	TC	PI	TC	PI
Three (3) Non-Ducted Indoor Units	7 + 9 + 9	14	19.61	0.93	20.82	0.96	22.04	1.00	22.92	1.01	24.48	1.03	25.69	1.05
		20	19.59	0.94	20.81	0.97	22.02	1.01	22.90	1.02	24.46	1.04	25.67	1.06
		25	19.58	0.95	20.79	0.99	22.01	1.02	22.89	1.04	24.44	1.06	25.65	1.08
		30	19.56	0.97	20.78	1.00	21.99	1.04	22.87	1.05	24.42	1.07	25.64	1.09
		35	19.55	0.98	20.76	1.02	21.97	1.05	22.85	1.07	24.40	1.09	25.62	1.11
		40	19.53	0.99	20.74	1.03	21.96	1.07	22.83	1.08	24.38	1.10	25.60	1.12
		45	19.52	1.01	20.73	1.04	21.94	1.08	22.82	1.09	24.36	1.11	25.58	1.14
		50	19.50	1.02	20.71	1.06	21.92	1.10	22.80	1.11	24.35	1.13	25.56	1.15
		55	19.49	1.03	20.70	1.07	21.91	1.11	22.78	1.12	24.33	1.14	25.54	1.17
		60	19.47	1.05	20.68	1.08	21.89	1.12	22.76	1.14	24.31	1.16	25.52	1.18
		65	19.46	1.06	20.66	1.10	21.87	1.14	22.75	1.15	24.29	1.17	25.50	1.20
		70	19.44	1.07	20.65	1.11	21.86	1.15	22.73	1.17	24.27	1.19	25.48	1.21
		75	18.97	1.13	20.18	1.17	21.38	1.22	22.25	1.23	23.79	1.25	25.00	1.28
		80	18.51	1.19	19.71	1.23	20.91	1.28	21.78	1.29	23.31	1.32	24.51	1.34
		85	18.04	1.25	19.24	1.29	20.44	1.34	21.30	1.36	22.84	1.38	24.03	1.41
		90	17.58	1.30	18.77	1.35	19.97	1.40	20.83	1.42	22.36	1.44	23.56	1.47
		95	17.08	1.36	18.26	1.41	19.45	1.46	20.00	1.48	21.83	1.51	23.02	1.54
		100	16.66	1.42	17.85	1.47	19.04	1.53	19.74	1.54	21.42	1.57	22.61	1.60
		105	16.24	1.48	17.43	1.53	18.62	1.59	19.48	1.61	21.00	1.64	22.19	1.67
		110	15.83	1.54	17.02	1.59	18.21	1.65	19.07	1.67	20.59	1.70	21.78	1.74
		115	15.41	1.59	16.60	1.65	17.79	1.71	18.65	1.73	20.17	1.77	21.36	1.80
	118	15.16	1.63	16.35	1.69	17.54	1.75	18.40	1.77	19.92	1.80	21.11	1.84	
	122	15.08	1.68	16.27	1.74	17.46	1.80	18.32	1.82	19.84	1.85	21.03	1.89	
	7 + 7 + 12	14	19.61	0.93	20.82	0.96	22.04	1.00	22.92	1.01	24.48	1.03	25.69	1.05
		20	19.59	0.94	20.81	0.97	22.02	1.01	22.90	1.02	24.46	1.04	25.67	1.06
		25	19.58	0.95	20.79	0.99	22.01	1.02	22.89	1.04	24.44	1.06	25.65	1.08
		30	19.56	0.97	20.78	1.00	21.99	1.04	22.87	1.05	24.42	1.07	25.64	1.09
		35	19.55	0.98	20.76	1.02	21.97	1.05	22.85	1.07	24.40	1.09	25.62	1.11
		40	19.53	0.99	20.74	1.03	21.96	1.07	22.83	1.08	24.38	1.10	25.60	1.12
		45	19.52	1.01	20.73	1.04	21.94	1.08	22.82	1.09	24.36	1.11	25.58	1.14
		50	19.50	1.02	20.71	1.06	21.92	1.10	22.80	1.11	24.35	1.13	25.56	1.15
		55	19.49	1.03	20.70	1.07	21.91	1.11	22.78	1.12	24.33	1.14	25.54	1.17
		60	19.47	1.05	20.68	1.08	21.89	1.12	22.76	1.14	24.31	1.16	25.52	1.18
		65	19.46	1.06	20.66	1.10	21.87	1.14	22.75	1.15	24.29	1.17	25.50	1.20
		70	19.44	1.07	20.65	1.11	21.86	1.15	22.73	1.17	24.27	1.19	25.48	1.21
		75	18.97	1.13	20.18	1.17	21.38	1.22	22.25	1.23	23.79	1.25	25.00	1.28
		80	18.51	1.19	19.71	1.23	20.91	1.28	21.78	1.29	23.31	1.32	24.51	1.34
		85	18.04	1.25	19.24	1.29	20.44	1.34	21.30	1.36	22.84	1.38	24.03	1.41
		90	17.58	1.30	18.77	1.35	19.97	1.40	20.83	1.42	22.36	1.44	23.56	1.47
		95	17.08	1.36	18.26	1.41	19.45	1.46	20.00	1.48	21.83	1.51	23.02	1.54
		100	16.66	1.42	17.85	1.47	19.04	1.53	19.74	1.54	21.42	1.57	22.61	1.60
		105	16.24	1.48	17.43	1.53	18.62	1.59	19.48	1.61	21.00	1.64	22.19	1.67
110		15.83	1.54	17.02	1.59	18.21	1.65	19.07	1.67	20.59	1.70	21.78	1.74	
115		15.41	1.59	16.60	1.65	17.79	1.71	18.65	1.73	20.17	1.77	21.36	1.80	
118	15.16	1.63	16.35	1.69	17.54	1.75	18.40	1.77	19.92	1.80	21.11	1.84		
122	15.08	1.68	16.27	1.74	17.46	1.80	18.32	1.82	19.84	1.85	21.03	1.89		

TC = Total Capacity (kBtu/h).

PI = Power Input (kW).

Nominal capacity as rated: 0 ft. above sea level with 25 ft. of refrigerant piping.
0 ft. level difference between outdoor and indoor units.

Nominal cooling capacity rating obtained with air entering the indoor unit at 80°F dry bulb (DB) and 67°F wet bulb (WB), and outdoor ambient conditions of 95°F dry bulb (DB) and 75°F wet bulb (WB).

The shaded table rows indicate reference data. When operating at this temperature, these values can be different if the system is not running consistently.

PERFORMANCE DATA

Cooling Capacity Tables

MULTI F
MULTI F MAX

Table 51: LMU24CHV Cooling Capacity Table — Non-Ducted Indoor Units (continued).

Connected Indoor Units	Combination Capacity Index	Outdoor Air Temp. (°F DB)	Indoor Air Temp. °F DB / °F WB											
			68 / 57		73 / 61		77 / 64		80 / 67		86 / 72		90 / 75	
			TC	PI	TC	PI	TC	PI	TC	PI	TC	PI	TC	PI
Three (3) Non-Ducted Indoor Units	9 + 9 + 9	14	19.61	0.93	20.82	0.96	22.04	1.00	22.92	1.01	24.48	1.03	25.69	1.05
		20	19.59	0.94	20.81	0.97	22.02	1.01	22.90	1.02	24.46	1.04	25.67	1.06
		25	19.58	0.95	20.79	0.99	22.01	1.02	22.89	1.04	24.44	1.06	25.65	1.08
		30	19.56	0.97	20.78	1.00	21.99	1.04	22.87	1.05	24.42	1.07	25.64	1.09
		35	19.55	0.98	20.76	1.02	21.97	1.05	22.85	1.07	24.40	1.09	25.62	1.11
		40	19.53	0.99	20.74	1.03	21.96	1.07	22.83	1.08	24.38	1.10	25.60	1.12
		45	19.52	1.01	20.73	1.04	21.94	1.08	22.82	1.09	24.36	1.11	25.58	1.14
		50	19.50	1.02	20.71	1.06	21.92	1.10	22.80	1.11	24.35	1.13	25.56	1.15
		55	19.49	1.03	20.70	1.07	21.91	1.11	22.78	1.12	24.33	1.14	25.54	1.17
		60	19.47	1.05	20.68	1.08	21.89	1.12	22.76	1.14	24.31	1.16	25.52	1.18
		65	19.46	1.06	20.66	1.10	21.87	1.14	22.75	1.15	24.29	1.17	25.50	1.20
		70	19.44	1.07	20.65	1.11	21.86	1.15	22.73	1.17	24.27	1.19	25.48	1.21
		75	18.97	1.13	20.18	1.17	21.38	1.22	22.25	1.23	23.79	1.25	25.00	1.28
		80	18.51	1.19	19.71	1.23	20.91	1.28	21.78	1.29	23.31	1.32	24.51	1.34
		85	18.04	1.25	19.24	1.29	20.44	1.34	21.30	1.36	22.84	1.38	24.03	1.41
		90	17.58	1.30	18.77	1.35	19.97	1.40	20.83	1.42	22.36	1.44	23.56	1.47
		95	17.08	1.36	18.26	1.41	19.45	1.46	20.00	1.48	21.83	1.51	23.02	1.54
		100	16.66	1.42	17.85	1.47	19.04	1.53	19.74	1.54	21.42	1.57	22.61	1.60
		105	16.24	1.48	17.43	1.53	18.62	1.59	19.48	1.61	21.00	1.64	22.19	1.67
		110	15.83	1.54	17.02	1.59	18.21	1.65	19.07	1.67	20.59	1.70	21.78	1.74
		115	15.41	1.59	16.60	1.65	17.79	1.71	18.65	1.73	20.17	1.77	21.36	1.80
	118	15.16	1.63	16.35	1.69	17.54	1.75	18.40	1.77	19.92	1.80	21.11	1.84	
	122	15.08	1.68	16.27	1.74	17.46	1.80	18.32	1.82	19.84	1.85	21.03	1.89	
	7 + 9 + 12	14	19.61	0.93	20.82	0.96	22.04	1.00	22.92	1.01	24.48	1.03	25.69	1.05
		20	19.59	0.94	20.81	0.97	22.02	1.01	22.90	1.02	24.46	1.04	25.67	1.06
		25	19.58	0.95	20.79	0.99	22.01	1.02	22.89	1.04	24.44	1.06	25.65	1.08
		30	19.56	0.97	20.78	1.00	21.99	1.04	22.87	1.05	24.42	1.07	25.64	1.09
		35	19.55	0.98	20.76	1.02	21.97	1.05	22.85	1.07	24.40	1.09	25.62	1.11
		40	19.53	0.99	20.74	1.03	21.96	1.07	22.83	1.08	24.38	1.10	25.60	1.12
		45	19.52	1.01	20.73	1.04	21.94	1.08	22.82	1.09	24.36	1.11	25.58	1.14
		50	19.50	1.02	20.71	1.06	21.92	1.10	22.80	1.11	24.35	1.13	25.56	1.15
		55	19.49	1.03	20.70	1.07	21.91	1.11	22.78	1.12	24.33	1.14	25.54	1.17
		60	19.47	1.05	20.68	1.08	21.89	1.12	22.76	1.14	24.31	1.16	25.52	1.18
		65	19.46	1.06	20.66	1.10	21.87	1.14	22.75	1.15	24.29	1.17	25.50	1.20
		70	19.44	1.07	20.65	1.11	21.86	1.15	22.73	1.17	24.27	1.19	25.48	1.21
		75	18.97	1.13	20.18	1.17	21.38	1.22	22.25	1.23	23.79	1.25	25.00	1.28
		80	18.51	1.19	19.71	1.23	20.91	1.28	21.78	1.29	23.31	1.32	24.51	1.34
		85	18.04	1.25	19.24	1.29	20.44	1.34	21.30	1.36	22.84	1.38	24.03	1.41
		90	17.58	1.30	18.77	1.35	19.97	1.40	20.83	1.42	22.36	1.44	23.56	1.47
		95	17.08	1.36	18.26	1.41	19.45	1.46	20.00	1.48	21.83	1.51	23.02	1.54
		100	16.66	1.42	17.85	1.47	19.04	1.53	19.74	1.54	21.42	1.57	22.61	1.60
		105	16.24	1.48	17.43	1.53	18.62	1.59	19.48	1.61	21.00	1.64	22.19	1.67
110		15.83	1.54	17.02	1.59	18.21	1.65	19.07	1.67	20.59	1.70	21.78	1.74	
115		15.41	1.59	16.60	1.65	17.79	1.71	18.65	1.73	20.17	1.77	21.36	1.80	
118	15.16	1.63	16.35	1.69	17.54	1.75	18.40	1.77	19.92	1.80	21.11	1.84		
122	15.08	1.68	16.27	1.74	17.46	1.80	18.32	1.82	19.84	1.85	21.03	1.89		

TC = Total Capacity (kBtu/h).

PI = Power Input (kW).

Nominal capacity as rated: 0 ft. above sea level with 25 ft. of refrigerant piping.
0 ft. level difference between outdoor and indoor units.

Nominal cooling capacity rating obtained with air entering the indoor unit at 80°F dry bulb (DB) and 67°F wet bulb (WB), and outdoor ambient conditions of 95°F dry bulb (DB) and 75°F wet bulb (WB).

The shaded table rows indicate reference data. When operating at this temperature, these values can be different if the system is not running consistently.

Multi F and Multi F MAX Heat Pump System Engineering Manual

Table 52: LMU24CHV Cooling Capacity Table — Non-Ducted Indoor Units (continued).

Connected Indoor Units	Combination Capacity Index	Outdoor Air Temp. (°F DB)	Indoor Air Temp. °F DB / °F WB											
			68 / 57		73 / 61		77 / 64		80 / 67		86 / 72		90 / 75	
			TC	PI	TC	PI	TC	PI	TC	PI	TC	PI	TC	PI
Three (3) Non-Ducted Indoor Units	7 + 7 + 15	14	19.61	0.93	20.82	0.96	22.04	1.00	22.92	1.01	24.48	1.03	25.69	1.05
		20	19.59	0.94	20.81	0.97	22.02	1.01	22.90	1.02	24.46	1.04	25.67	1.06
		25	19.58	0.95	20.79	0.99	22.01	1.02	22.89	1.04	24.44	1.06	25.65	1.08
		30	19.56	0.97	20.78	1.00	21.99	1.04	22.87	1.05	24.42	1.07	25.64	1.09
		35	19.55	0.98	20.76	1.02	21.97	1.05	22.85	1.07	24.40	1.09	25.62	1.11
		40	19.53	0.99	20.74	1.03	21.96	1.07	22.83	1.08	24.38	1.10	25.60	1.12
		45	19.52	1.01	20.73	1.04	21.94	1.08	22.82	1.09	24.36	1.11	25.58	1.14
		50	19.50	1.02	20.71	1.06	21.92	1.10	22.80	1.11	24.35	1.13	25.56	1.15
		55	19.49	1.03	20.70	1.07	21.91	1.11	22.78	1.12	24.33	1.14	25.54	1.17
		60	19.47	1.05	20.68	1.08	21.89	1.12	22.76	1.14	24.31	1.16	25.52	1.18
		65	19.46	1.06	20.66	1.10	21.87	1.14	22.75	1.15	24.29	1.17	25.50	1.20
		70	19.44	1.07	20.65	1.11	21.86	1.15	22.73	1.17	24.27	1.19	25.48	1.21
		75	18.97	1.13	20.18	1.17	21.38	1.22	22.25	1.23	23.79	1.25	25.00	1.28
		80	18.51	1.19	19.71	1.23	20.91	1.28	21.78	1.29	23.31	1.32	24.51	1.34
		85	18.04	1.25	19.24	1.29	20.44	1.34	21.30	1.36	22.84	1.38	24.03	1.41
		90	17.58	1.30	18.77	1.35	19.97	1.40	20.83	1.42	22.36	1.44	23.56	1.47
		95	17.08	1.36	18.26	1.41	19.45	1.46	20.00	1.48	21.83	1.51	23.02	1.54
		100	16.66	1.42	17.85	1.47	19.04	1.53	19.74	1.54	21.42	1.57	22.61	1.60
		105	16.24	1.48	17.43	1.53	18.62	1.59	19.48	1.61	21.00	1.64	22.19	1.67
		110	15.83	1.54	17.02	1.59	18.21	1.65	19.07	1.67	20.59	1.70	21.78	1.74
		115	15.41	1.59	16.60	1.65	17.79	1.71	18.65	1.73	20.17	1.77	21.36	1.80
		118	15.16	1.63	16.35	1.69	17.54	1.75	18.40	1.77	19.92	1.80	21.11	1.84
	122	15.08	1.68	16.27	1.74	17.46	1.80	18.32	1.82	19.84	1.85	21.03	1.89	
	9 + 9 + 12	14	19.61	0.93	20.82	0.96	22.04	1.00	22.92	1.01	24.48	1.03	25.69	1.05
		20	19.59	0.94	20.81	0.97	22.02	1.01	22.90	1.02	24.46	1.04	25.67	1.06
		25	19.58	0.95	20.79	0.99	22.01	1.02	22.89	1.04	24.44	1.06	25.65	1.08
		30	19.56	0.97	20.78	1.00	21.99	1.04	22.87	1.05	24.42	1.07	25.64	1.09
		35	19.55	0.98	20.76	1.02	21.97	1.05	22.85	1.07	24.40	1.09	25.62	1.11
		40	19.53	0.99	20.74	1.03	21.96	1.07	22.83	1.08	24.38	1.10	25.60	1.12
		45	19.52	1.01	20.73	1.04	21.94	1.08	22.82	1.09	24.36	1.11	25.58	1.14
		50	19.50	1.02	20.71	1.06	21.92	1.10	22.80	1.11	24.35	1.13	25.56	1.15
		55	19.49	1.03	20.70	1.07	21.91	1.11	22.78	1.12	24.33	1.14	25.54	1.17
		60	19.47	1.05	20.68	1.08	21.89	1.12	22.76	1.14	24.31	1.16	25.52	1.18
		65	19.46	1.06	20.66	1.10	21.87	1.14	22.75	1.15	24.29	1.17	25.50	1.20
		70	19.44	1.07	20.65	1.11	21.86	1.15	22.73	1.17	24.27	1.19	25.48	1.21
		75	18.97	1.13	20.18	1.17	21.38	1.22	22.25	1.23	23.79	1.25	25.00	1.28
		80	18.51	1.19	19.71	1.23	20.91	1.28	21.78	1.29	23.31	1.32	24.51	1.34
		85	18.04	1.25	19.24	1.29	20.44	1.34	21.30	1.36	22.84	1.38	24.03	1.41
		90	17.58	1.30	18.77	1.35	19.97	1.40	20.83	1.42	22.36	1.44	23.56	1.47
		95	17.08	1.36	18.26	1.41	19.45	1.46	20.00	1.48	21.83	1.51	23.02	1.54
		100	16.66	1.42	17.85	1.47	19.04	1.53	19.74	1.54	21.42	1.57	22.61	1.60
		105	16.24	1.48	17.43	1.53	18.62	1.59	19.48	1.61	21.00	1.64	22.19	1.67
110		15.83	1.54	17.02	1.59	18.21	1.65	19.07	1.67	20.59	1.70	21.78	1.74	
115		15.41	1.59	16.60	1.65	17.79	1.71	18.65	1.73	20.17	1.77	21.36	1.80	
118		15.16	1.63	16.35	1.69	17.54	1.75	18.40	1.77	19.92	1.80	21.11	1.84	
122	15.08	1.68	16.27	1.74	17.46	1.80	18.32	1.82	19.84	1.85	21.03	1.89		

TC = Total Capacity (kBtu/h).

PI = Power Input (kW).

Nominal capacity as rated: 0 ft. above sea level with 25 ft. of refrigerant piping.
0 ft. level difference between outdoor and indoor units.

Nominal cooling capacity rating obtained with air entering the indoor unit at 80°F dry bulb (DB) and 67°F wet bulb (WB), and outdoor ambient conditions of 95°F dry bulb (DB) and 75°F wet bulb (WB).

The shaded table rows indicate reference data. When operating at this temperature, these values can be different if the system is not running consistently.

PERFORMANCE DATA

Cooling Capacity Tables

MULTI F
MULTI F MAX

Table 53: LMU24CHV Cooling Capacity Table — Non-Ducted Indoor Units (continued).

Connected Indoor Units	Combination Capacity Index	Outdoor Air Temp. (°F DB)	Indoor Air Temp. °F DB / °F WB											
			68 / 57		73 / 61		77 / 64		80 / 67		86 / 72		90 / 75	
			TC	PI	TC	PI	TC	PI	TC	PI	TC	PI	TC	PI
Three (3) Non-Ducted Indoor Units	7 + 9 + 15	14	19.61	0.93	20.82	0.96	22.04	1.00	22.92	1.01	24.48	1.03	25.69	1.05
		20	19.59	0.94	20.81	0.97	22.02	1.01	22.90	1.02	24.46	1.04	25.67	1.06
		25	19.58	0.95	20.79	0.99	22.01	1.02	22.89	1.04	24.44	1.06	25.65	1.08
		30	19.56	0.97	20.78	1.00	21.99	1.04	22.87	1.05	24.42	1.07	25.64	1.09
		35	19.55	0.98	20.76	1.02	21.97	1.05	22.85	1.07	24.40	1.09	25.62	1.11
		40	19.53	0.99	20.74	1.03	21.96	1.07	22.83	1.08	24.38	1.10	25.60	1.12
		45	19.52	1.01	20.73	1.04	21.94	1.08	22.82	1.09	24.36	1.11	25.58	1.14
		50	19.50	1.02	20.71	1.06	21.92	1.10	22.80	1.11	24.35	1.13	25.56	1.15
		55	19.49	1.03	20.70	1.07	21.91	1.11	22.78	1.12	24.33	1.14	25.54	1.17
		60	19.47	1.05	20.68	1.08	21.89	1.12	22.76	1.14	24.31	1.16	25.52	1.18
		65	19.46	1.06	20.66	1.10	21.87	1.14	22.75	1.15	24.29	1.17	25.50	1.20
		70	19.44	1.07	20.65	1.11	21.86	1.15	22.73	1.17	24.27	1.19	25.48	1.21
		75	18.97	1.13	20.18	1.17	21.38	1.22	22.25	1.23	23.79	1.25	25.00	1.28
		80	18.51	1.19	19.71	1.23	20.91	1.28	21.78	1.29	23.31	1.32	24.51	1.34
		85	18.04	1.25	19.24	1.29	20.44	1.34	21.30	1.36	22.84	1.38	24.03	1.41
		90	17.58	1.30	18.77	1.35	19.97	1.40	20.83	1.42	22.36	1.44	23.56	1.47
		95	17.08	1.36	18.26	1.41	19.45	1.46	20.00	1.48	21.83	1.51	23.02	1.54
		100	16.66	1.42	17.85	1.47	19.04	1.53	19.74	1.54	21.42	1.57	22.61	1.60
		105	16.24	1.48	17.43	1.53	18.62	1.59	19.48	1.61	21.00	1.64	22.19	1.67
		110	15.83	1.54	17.02	1.59	18.21	1.65	19.07	1.67	20.59	1.70	21.78	1.74
		115	15.41	1.59	16.60	1.65	17.79	1.71	18.65	1.73	20.17	1.77	21.36	1.80
	118	15.16	1.63	16.35	1.69	17.54	1.75	18.40	1.77	19.92	1.80	21.11	1.84	
	122	15.08	1.68	16.27	1.74	17.46	1.80	18.32	1.82	19.84	1.85	21.03	1.89	
	7 + 12 + 12	14	19.61	0.93	20.82	0.96	22.04	1.00	22.92	1.01	24.48	1.03	25.69	1.05
		20	19.59	0.94	20.81	0.97	22.02	1.01	22.90	1.02	24.46	1.04	25.67	1.06
		25	19.58	0.95	20.79	0.99	22.01	1.02	22.89	1.04	24.44	1.06	25.65	1.08
		30	19.56	0.97	20.78	1.00	21.99	1.04	22.87	1.05	24.42	1.07	25.64	1.09
		35	19.55	0.98	20.76	1.02	21.97	1.05	22.85	1.07	24.40	1.09	25.62	1.11
		40	19.53	0.99	20.74	1.03	21.96	1.07	22.83	1.08	24.38	1.10	25.60	1.12
		45	19.52	1.01	20.73	1.04	21.94	1.08	22.82	1.09	24.36	1.11	25.58	1.14
		50	19.50	1.02	20.71	1.06	21.92	1.10	22.80	1.11	24.35	1.13	25.56	1.15
		55	19.49	1.03	20.70	1.07	21.91	1.11	22.78	1.12	24.33	1.14	25.54	1.17
		60	19.47	1.05	20.68	1.08	21.89	1.12	22.76	1.14	24.31	1.16	25.52	1.18
		65	19.46	1.06	20.66	1.10	21.87	1.14	22.75	1.15	24.29	1.17	25.50	1.20
		70	19.44	1.07	20.65	1.11	21.86	1.15	22.73	1.17	24.27	1.19	25.48	1.21
		75	18.97	1.13	20.18	1.17	21.38	1.22	22.25	1.23	23.79	1.25	25.00	1.28
		80	18.51	1.19	19.71	1.23	20.91	1.28	21.78	1.29	23.31	1.32	24.51	1.34
		85	18.04	1.25	19.24	1.29	20.44	1.34	21.30	1.36	22.84	1.38	24.03	1.41
		90	17.58	1.30	18.77	1.35	19.97	1.40	20.83	1.42	22.36	1.44	23.56	1.47
		95	17.08	1.36	18.26	1.41	19.45	1.46	20.00	1.48	21.83	1.51	23.02	1.54
		100	16.66	1.42	17.85	1.47	19.04	1.53	19.74	1.54	21.42	1.57	22.61	1.60
		105	16.24	1.48	17.43	1.53	18.62	1.59	19.48	1.61	21.00	1.64	22.19	1.67
110		15.83	1.54	17.02	1.59	18.21	1.65	19.07	1.67	20.59	1.70	21.78	1.74	
115		15.41	1.59	16.60	1.65	17.79	1.71	18.65	1.73	20.17	1.77	21.36	1.80	
118	15.16	1.63	16.35	1.69	17.54	1.75	18.40	1.77	19.92	1.80	21.11	1.84		
122	15.08	1.68	16.27	1.74	17.46	1.80	18.32	1.82	19.84	1.85	21.03	1.89		

TC = Total Capacity (kBtu/h).

PI = Power Input (kW).

Nominal capacity as rated: 0 ft. above sea level with 25 ft. of refrigerant piping.
0 ft. level difference between outdoor and indoor units.

Nominal cooling capacity rating obtained with air entering the indoor unit at 80°F dry bulb (DB) and 67°F wet bulb (WB), and outdoor ambient conditions of 95°F dry bulb (DB) and 75°F wet bulb (WB).

The shaded table rows indicate reference data. When operating at this temperature, these values can be different if the system is not running consistently.



Multi F and Multi F MAX Heat Pump System Engineering Manual

Table 54: LMU24CHV Cooling Capacity Table — Non-Ducted Indoor Units (continued).

Connected Indoor Units	Combination Capacity Index	Outdoor Air Temp. (°F DB)	Indoor Air Temp. °F DB / °F WB											
			68 / 57		73 / 61		77 / 64		80 / 67		86 / 72		90 / 75	
			TC	PI	TC	PI	TC	PI	TC	PI	TC	PI	TC	PI
Three (3) Non-Ducted Indoor Units	7 + 7 + 18	14	19.61	0.93	20.82	0.96	22.04	1.00	22.92	1.01	24.48	1.03	25.69	1.05
		20	19.59	0.94	20.81	0.97	22.02	1.01	22.90	1.02	24.46	1.04	25.67	1.06
		25	19.58	0.95	20.79	0.99	22.01	1.02	22.89	1.04	24.44	1.06	25.65	1.08
		30	19.56	0.97	20.78	1.00	21.99	1.04	22.87	1.05	24.42	1.07	25.64	1.09
		35	19.55	0.98	20.76	1.02	21.97	1.05	22.85	1.07	24.40	1.09	25.62	1.11
		40	19.53	0.99	20.74	1.03	21.96	1.07	22.83	1.08	24.38	1.10	25.60	1.12
		45	19.52	1.01	20.73	1.04	21.94	1.08	22.82	1.09	24.36	1.11	25.58	1.14
		50	19.50	1.02	20.71	1.06	21.92	1.10	22.80	1.11	24.35	1.13	25.56	1.15
		55	19.49	1.03	20.70	1.07	21.91	1.11	22.78	1.12	24.33	1.14	25.54	1.17
		60	19.47	1.05	20.68	1.08	21.89	1.12	22.76	1.14	24.31	1.16	25.52	1.18
		65	19.46	1.06	20.66	1.10	21.87	1.14	22.75	1.15	24.29	1.17	25.50	1.20
		70	19.44	1.07	20.65	1.11	21.86	1.15	22.73	1.17	24.27	1.19	25.48	1.21
		75	18.97	1.13	20.18	1.17	21.38	1.22	22.25	1.23	23.79	1.25	25.00	1.28
		80	18.51	1.19	19.71	1.23	20.91	1.28	21.78	1.29	23.31	1.32	24.51	1.34
		85	18.04	1.25	19.24	1.29	20.44	1.34	21.30	1.36	22.84	1.38	24.03	1.41
		90	17.58	1.30	18.77	1.35	19.97	1.40	20.83	1.42	22.36	1.44	23.56	1.47
		95	17.08	1.36	18.26	1.41	19.45	1.46	20.00	1.48	21.83	1.51	23.02	1.54
		100	16.66	1.42	17.85	1.47	19.04	1.53	19.74	1.54	21.42	1.57	22.61	1.60
		105	16.24	1.48	17.43	1.53	18.62	1.59	19.48	1.61	21.00	1.64	22.19	1.67
		110	15.83	1.54	17.02	1.59	18.21	1.65	19.07	1.67	20.59	1.70	21.78	1.74
		115	15.41	1.59	16.60	1.65	17.79	1.71	18.65	1.73	20.17	1.77	21.36	1.80
	118	15.16	1.63	16.35	1.69	17.54	1.75	18.40	1.77	19.92	1.80	21.11	1.84	
	122	15.08	1.68	16.27	1.74	17.46	1.80	18.32	1.82	19.84	1.85	21.03	1.89	
	9 + 9 + 15	14	19.61	0.93	20.82	0.96	22.04	1.00	22.92	1.01	24.48	1.03	25.69	1.05
		20	19.59	0.94	20.81	0.97	22.02	1.01	22.90	1.02	24.46	1.04	25.67	1.06
		25	19.58	0.95	20.79	0.99	22.01	1.02	22.89	1.04	24.44	1.06	25.65	1.08
		30	19.56	0.97	20.78	1.00	21.99	1.04	22.87	1.05	24.42	1.07	25.64	1.09
		35	19.55	0.98	20.76	1.02	21.97	1.05	22.85	1.07	24.40	1.09	25.62	1.11
		40	19.53	0.99	20.74	1.03	21.96	1.07	22.83	1.08	24.38	1.10	25.60	1.12
		45	19.52	1.01	20.73	1.04	21.94	1.08	22.82	1.09	24.36	1.11	25.58	1.14
		50	19.50	1.02	20.71	1.06	21.92	1.10	22.80	1.11	24.35	1.13	25.56	1.15
		55	19.49	1.03	20.70	1.07	21.91	1.11	22.78	1.12	24.33	1.14	25.54	1.17
		60	19.47	1.05	20.68	1.08	21.89	1.12	22.76	1.14	24.31	1.16	25.52	1.18
		65	19.46	1.06	20.66	1.10	21.87	1.14	22.75	1.15	24.29	1.17	25.50	1.20
		70	19.44	1.07	20.65	1.11	21.86	1.15	22.73	1.17	24.27	1.19	25.48	1.21
		75	18.97	1.13	20.18	1.17	21.38	1.22	22.25	1.23	23.79	1.25	25.00	1.28
		80	18.51	1.19	19.71	1.23	20.91	1.28	21.78	1.29	23.31	1.32	24.51	1.34
		85	18.04	1.25	19.24	1.29	20.44	1.34	21.30	1.36	22.84	1.38	24.03	1.41
		90	17.58	1.30	18.77	1.35	19.97	1.40	20.83	1.42	22.36	1.44	23.56	1.47
		95	17.08	1.36	18.26	1.41	19.45	1.46	20.00	1.48	21.83	1.51	23.02	1.54
		100	16.66	1.42	17.85	1.47	19.04	1.53	19.74	1.54	21.42	1.57	22.61	1.60
		105	16.24	1.48	17.43	1.53	18.62	1.59	19.48	1.61	21.00	1.64	22.19	1.67
110		15.83	1.54	17.02	1.59	18.21	1.65	19.07	1.67	20.59	1.70	21.78	1.74	
115		15.41	1.59	16.60	1.65	17.79	1.71	18.65	1.73	20.17	1.77	21.36	1.80	
118	15.16	1.63	16.35	1.69	17.54	1.75	18.40	1.77	19.92	1.80	21.11	1.84		
122	15.08	1.68	16.27	1.74	17.46	1.80	18.32	1.82	19.84	1.85	21.03	1.89		

TC = Total Capacity (kBtu/h).

PI = Power Input (kW).

Nominal capacity as rated: 0 ft. above sea level with 25 ft. of refrigerant piping.
0 ft. level difference between outdoor and indoor units.

Nominal cooling capacity rating obtained with air entering the indoor unit at 80°F dry bulb (DB) and 67°F wet bulb (WB), and outdoor ambient conditions of 95°F dry bulb (DB) and 75°F wet bulb (WB).

The shaded table rows indicate reference data. When operating at this temperature, these values can be different if the system is not running consistently.

PERFORMANCE DATA

Cooling Capacity Tables

MULTI F
MULTI F MAX

Table 55: LMU24CHV Cooling Capacity Table — Non-Ducted (continued) and Ducted Indoor Units.

Connected Indoor Units	Combination Capacity Index	Outdoor Air Temp. (°F DB)	Indoor Air Temp. °F DB / °F WB											
			68 / 57		73 / 61		77 / 64		80 / 67		86 / 72		90 / 75	
			TC	PI	TC	PI	TC	PI	TC	PI	TC	PI	TC	PI
Three (3) Non-Ducted Indoor Units	9 + 12 + 12	14	19.61	0.93	20.82	0.96	22.04	1.00	22.92	1.01	24.48	1.03	25.69	1.05
		20	19.59	0.94	20.81	0.97	22.02	1.01	22.90	1.02	24.46	1.04	25.67	1.06
		25	19.58	0.95	20.79	0.99	22.01	1.02	22.89	1.04	24.44	1.06	25.65	1.08
		30	19.56	0.97	20.78	1.00	21.99	1.04	22.87	1.05	24.42	1.07	25.64	1.09
		35	19.55	0.98	20.76	1.02	21.97	1.05	22.85	1.07	24.40	1.09	25.62	1.11
		40	19.53	0.99	20.74	1.03	21.96	1.07	22.83	1.08	24.38	1.10	25.60	1.12
		45	19.52	1.01	20.73	1.04	21.94	1.08	22.82	1.09	24.36	1.11	25.58	1.14
		50	19.50	1.02	20.71	1.06	21.92	1.10	22.80	1.11	24.35	1.13	25.56	1.15
		55	19.49	1.03	20.70	1.07	21.91	1.11	22.78	1.12	24.33	1.14	25.54	1.17
		60	19.47	1.05	20.68	1.08	21.89	1.12	22.76	1.14	24.31	1.16	25.52	1.18
		65	19.46	1.06	20.66	1.10	21.87	1.14	22.75	1.15	24.29	1.17	25.50	1.20
		70	19.44	1.07	20.65	1.11	21.86	1.15	22.73	1.17	24.27	1.19	25.48	1.21
		75	18.97	1.13	20.18	1.17	21.38	1.22	22.25	1.23	23.79	1.25	25.00	1.28
		80	18.51	1.19	19.71	1.23	20.91	1.28	21.78	1.29	23.31	1.32	24.51	1.34
		85	18.04	1.25	19.24	1.29	20.44	1.34	21.30	1.36	22.84	1.38	24.03	1.41
		90	17.58	1.30	18.77	1.35	19.97	1.40	20.83	1.42	22.36	1.44	23.56	1.47
		95	17.08	1.36	18.26	1.41	19.45	1.46	20.00	1.48	21.83	1.51	23.02	1.54
		100	16.66	1.42	17.85	1.47	19.04	1.53	19.74	1.54	21.42	1.57	22.61	1.60
		105	16.24	1.48	17.43	1.53	18.62	1.59	19.48	1.61	21.00	1.64	22.19	1.67
		110	15.83	1.54	17.02	1.59	18.21	1.65	19.07	1.67	20.59	1.70	21.78	1.74
115	15.41	1.59	16.60	1.65	17.79	1.71	18.65	1.73	20.17	1.77	21.36	1.80		
118	15.16	1.63	16.35	1.69	17.54	1.75	18.40	1.77	19.92	1.80	21.11	1.84		
122	15.08	1.68	16.27	1.74	17.46	1.80	18.32	1.82	19.84	1.85	21.03	1.89		
Two (2) Ducted Indoor Units	9 + 9	14	15.70	0.94	16.68	0.98	17.65	1.01	18.36	1.02	19.61	1.04	20.58	1.06
		20	15.69	0.96	16.67	0.99	17.64	1.03	18.35	1.04	19.59	1.06	20.57	1.08
		25	15.68	0.97	16.65	1.00	17.63	1.04	18.33	1.05	19.58	1.07	20.55	1.09
		30	15.67	0.98	16.64	1.02	17.61	1.06	18.32	1.07	19.56	1.09	20.53	1.11
		35	15.66	1.00	16.63	1.03	17.60	1.07	18.30	1.08	19.55	1.10	20.52	1.12
		40	15.64	1.01	16.62	1.05	17.59	1.08	18.29	1.10	19.53	1.12	20.50	1.14
		45	15.63	1.02	16.60	1.06	17.57	1.10	18.28	1.11	19.52	1.13	20.49	1.16
		50	15.62	1.04	16.59	1.07	17.56	1.11	18.26	1.13	19.50	1.15	20.47	1.17
		55	15.61	1.05	16.58	1.09	17.55	1.13	18.25	1.14	19.49	1.16	20.46	1.19
		60	15.60	1.06	16.57	1.10	17.53	1.14	18.23	1.16	19.47	1.18	20.44	1.20
		65	15.58	1.08	16.55	1.12	17.52	1.16	18.22	1.17	19.46	1.19	20.42	1.22
		70	15.57	1.09	16.54	1.13	17.51	1.17	18.21	1.19	19.44	1.21	20.41	1.23
		75	15.20	1.15	16.16	1.19	17.13	1.24	17.82	1.25	19.06	1.27	20.02	1.30
		80	14.82	1.21	15.79	1.25	16.75	1.30	17.44	1.31	18.67	1.34	19.63	1.36
		85	14.45	1.27	15.41	1.31	16.37	1.36	17.06	1.38	18.29	1.40	19.25	1.43
		90	14.08	1.33	15.04	1.37	16.00	1.42	16.69	1.44	17.91	1.47	18.87	1.50
		95	13.68	1.39	14.63	1.44	15.58	1.49	16.02	1.51	17.49	1.53	18.44	1.56
		100	13.34	1.44	14.30	1.50	15.25	1.55	15.81	1.57	17.16	1.60	18.11	1.63
		105	13.01	1.50	13.96	1.56	14.92	1.61	15.60	1.63	16.82	1.66	17.78	1.70
		110	12.68	1.56	13.63	1.62	14.58	1.68	15.27	1.70	16.49	1.73	17.44	1.76
115	12.34	1.62	13.30	1.68	14.25	1.74	14.94	1.76	16.16	1.79	17.11	1.83		
118	12.15	1.66	13.10	1.72	14.05	1.78	14.74	1.80	15.96	1.83	16.91	1.87		
122	12.08	1.70	13.03	1.76	13.98	1.83	14.67	1.85	15.89	1.89	16.84	1.92		

TC = Total Capacity (kBtu/h).

PI = Power Input (kW).

Nominal capacity as rated: 0 ft. above sea level with 25 ft. of refrigerant piping.
0 ft. level difference between outdoor and indoor units.

Nominal cooling capacity rating obtained with air entering the indoor unit at 80°F dry bulb (DB) and 67°F wet bulb (WB), and outdoor ambient conditions of 95°F dry bulb (DB) and 75°F wet bulb (WB).

The shaded table rows indicate reference data. When operating at this temperature, these values can be different if the system is not running consistently.

Multi F and Multi F MAX Heat Pump System Engineering Manual

Table 56: LMU24CHV Cooling Capacity Table — Ducted Indoor Units.

Connected Indoor Units	Combination Capacity Index	Outdoor Air Temp. (°F DB)	Indoor Air Temp. °F DB / °F WB											
			68 / 57		73 / 61		77 / 64		80 / 67		86 / 72		90 / 75	
			TC	PI	TC	PI	TC	PI	TC	PI	TC	PI	TC	PI
Two (2) Ducted Indoor Units	9 + 12	14	17.45	1.03	18.53	1.07	19.62	1.11	20.40	1.12	21.78	1.14	22.87	1.17
		20	17.44	1.05	18.52	1.09	19.60	1.13	20.38	1.14	21.77	1.16	22.85	1.18
		25	17.42	1.06	18.50	1.10	19.59	1.14	20.37	1.16	21.75	1.18	22.83	1.20
		30	17.41	1.08	18.49	1.12	19.57	1.16	20.35	1.17	21.73	1.19	22.82	1.22
		35	17.40	1.09	18.48	1.13	19.56	1.17	20.34	1.19	21.72	1.21	22.80	1.23
		40	17.38	1.11	18.46	1.15	19.54	1.19	20.32	1.20	21.70	1.23	22.78	1.25
		45	17.37	1.12	18.45	1.16	19.53	1.21	20.31	1.22	21.68	1.24	22.76	1.27
		50	17.36	1.14	18.43	1.18	19.51	1.22	20.29	1.24	21.67	1.26	22.75	1.28
		55	17.34	1.15	18.42	1.19	19.50	1.24	20.27	1.25	21.65	1.28	22.73	1.30
		60	17.33	1.17	18.41	1.21	19.48	1.25	20.26	1.27	21.63	1.29	22.71	1.32
		65	17.32	1.18	18.39	1.23	19.47	1.27	20.24	1.28	21.62	1.31	22.69	1.33
		70	17.30	1.20	18.38	1.24	19.45	1.29	20.23	1.30	21.60	1.32	22.68	1.35
		75	16.89	1.26	17.96	1.31	19.03	1.36	19.80	1.37	21.17	1.40	22.25	1.42
		80	16.47	1.33	17.54	1.37	18.61	1.42	19.38	1.44	20.75	1.47	21.82	1.50
		85	16.06	1.39	17.12	1.44	18.19	1.49	18.96	1.51	20.32	1.54	21.39	1.57
		90	15.64	1.46	16.71	1.51	17.77	1.56	18.54	1.58	19.90	1.61	20.96	1.64
		95	15.20	1.52	16.26	1.58	17.31	1.63	17.80	1.65	19.43	1.68	20.49	1.72
		100	14.83	1.58	15.89	1.64	16.94	1.70	17.57	1.72	19.06	1.75	20.12	1.79
		105	14.46	1.65	15.52	1.71	16.57	1.77	17.34	1.79	18.69	1.83	19.75	1.86
		110	14.09	1.71	15.15	1.78	16.20	1.84	16.97	1.86	18.32	1.90	19.38	1.94
		115	13.72	1.78	14.78	1.84	15.83	1.91	16.60	1.93	17.95	1.97	19.01	2.01
	118	13.49	1.82	14.55	1.88	15.61	1.95	16.38	1.97	17.73	2.01	18.79	2.05	
	122	13.42	1.87	14.48	1.94	15.54	2.01	16.30	2.03	17.66	2.07	18.71	2.11	
	12 + 12	14	17.45	1.03	18.53	1.07	19.62	1.11	20.40	1.12	21.78	1.14	22.87	1.17
		20	17.44	1.05	18.52	1.09	19.60	1.13	20.38	1.14	21.77	1.16	22.85	1.18
		25	17.42	1.06	18.50	1.10	19.59	1.14	20.37	1.16	21.75	1.18	22.83	1.20
		30	17.41	1.08	18.49	1.12	19.57	1.16	20.35	1.17	21.73	1.19	22.82	1.22
		35	17.40	1.09	18.48	1.13	19.56	1.17	20.34	1.19	21.72	1.21	22.80	1.23
		40	17.38	1.11	18.46	1.15	19.54	1.19	20.32	1.20	21.70	1.23	22.78	1.25
		45	17.37	1.12	18.45	1.16	19.53	1.21	20.31	1.22	21.68	1.24	22.76	1.27
		50	17.36	1.14	18.43	1.18	19.51	1.22	20.29	1.24	21.67	1.26	22.75	1.28
		55	17.34	1.15	18.42	1.19	19.50	1.24	20.27	1.25	21.65	1.28	22.73	1.30
		60	17.33	1.17	18.41	1.21	19.48	1.25	20.26	1.27	21.63	1.29	22.71	1.32
		65	17.32	1.18	18.39	1.23	19.47	1.27	20.24	1.28	21.62	1.31	22.69	1.33
		70	17.30	1.20	18.38	1.24	19.45	1.29	20.23	1.30	21.60	1.32	22.68	1.35
		75	16.89	1.26	17.96	1.31	19.03	1.36	19.80	1.37	21.17	1.40	22.25	1.42
		80	16.47	1.33	17.54	1.37	18.61	1.42	19.38	1.44	20.75	1.47	21.82	1.50
		85	16.06	1.39	17.12	1.44	18.19	1.49	18.96	1.51	20.32	1.54	21.39	1.57
		90	15.64	1.46	16.71	1.51	17.77	1.56	18.54	1.58	19.90	1.61	20.96	1.64
		95	15.20	1.52	16.26	1.58	17.31	1.63	17.80	1.65	19.43	1.68	20.49	1.72
		100	14.83	1.58	15.89	1.64	16.94	1.70	17.57	1.72	19.06	1.75	20.12	1.79
		105	14.46	1.65	15.52	1.71	16.57	1.77	17.34	1.79	18.69	1.83	19.75	1.86
110		14.09	1.71	15.15	1.78	16.20	1.84	16.97	1.86	18.32	1.90	19.38	1.94	
115		13.72	1.78	14.78	1.84	15.83	1.91	16.60	1.93	17.95	1.97	19.01	2.01	
118	13.49	1.82	14.55	1.88	15.61	1.95	16.38	1.97	17.73	2.01	18.79	2.05		
122	13.42	1.87	14.48	1.94	15.54	2.01	16.30	2.03	17.66	2.07	18.71	2.11		

TC = Total Capacity (kBtu/h).

PI = Power Input (kW).

Nominal capacity as rated: 0 ft. above sea level with 25 ft. of refrigerant piping.
0 ft. level difference between outdoor and indoor units.

Nominal cooling capacity rating obtained with air entering the indoor unit at 80°F dry bulb (DB) and 67°F wet bulb (WB), and outdoor ambient conditions of 95°F dry bulb (DB) and 75°F wet bulb (WB).

The shaded table rows indicate reference data. When operating at this temperature, these values can be different if the system is not running consistently.

PERFORMANCE DATA

Cooling Capacity Tables

MULTI F
MULTI F MAX

Table 57: LMU24CHV Cooling Capacity Table — Ducted Indoor Units.

Connected Indoor Units	Combination Capacity Index	Outdoor Air Temp. (°F DB)	Indoor Air Temp. °F DB / °F WB											
			68 / 57		73 / 61		77 / 64		80 / 67		86 / 72		90 / 75	
			TC	PI	TC	PI	TC	PI	TC	PI	TC	PI	TC	PI
Two (2) Ducted Indoor Units	9 + 18	14	17.45	1.03	18.53	1.07	19.62	1.11	20.40	1.12	21.78	1.14	22.87	1.17
		20	17.44	1.05	18.52	1.09	19.60	1.13	20.38	1.14	21.77	1.16	22.85	1.18
		25	17.42	1.06	18.50	1.10	19.59	1.14	20.37	1.16	21.75	1.18	22.83	1.20
		30	17.41	1.08	18.49	1.12	19.57	1.16	20.35	1.17	21.73	1.19	22.82	1.22
		35	17.40	1.09	18.48	1.13	19.56	1.17	20.34	1.19	21.72	1.21	22.80	1.23
		40	17.38	1.11	18.46	1.15	19.54	1.19	20.32	1.20	21.70	1.23	22.78	1.25
		45	17.37	1.12	18.45	1.16	19.53	1.21	20.31	1.22	21.68	1.24	22.76	1.27
		50	17.36	1.14	18.43	1.18	19.51	1.22	20.29	1.24	21.67	1.26	22.75	1.28
		55	17.34	1.15	18.42	1.19	19.50	1.24	20.27	1.25	21.65	1.28	22.73	1.30
		60	17.33	1.17	18.41	1.21	19.48	1.25	20.26	1.27	21.63	1.29	22.71	1.32
		65	17.32	1.18	18.39	1.23	19.47	1.27	20.24	1.28	21.62	1.31	22.69	1.33
		70	17.30	1.20	18.38	1.24	19.45	1.29	20.23	1.30	21.60	1.32	22.68	1.35
		75	16.89	1.26	17.96	1.31	19.03	1.36	19.80	1.37	21.17	1.40	22.25	1.42
		80	16.47	1.33	17.54	1.37	18.61	1.42	19.38	1.44	20.75	1.47	21.82	1.50
		85	16.06	1.39	17.12	1.44	18.19	1.49	18.96	1.51	20.32	1.54	21.39	1.57
		90	15.64	1.46	16.71	1.51	17.77	1.56	18.54	1.58	19.90	1.61	20.96	1.64
		95	15.20	1.52	16.26	1.58	17.31	1.63	17.80	1.65	19.43	1.68	20.49	1.72
		100	14.83	1.58	15.89	1.64	16.94	1.70	17.57	1.72	19.06	1.75	20.12	1.79
	105	14.46	1.65	15.52	1.71	16.57	1.77	17.34	1.79	18.69	1.83	19.75	1.86	
	110	14.09	1.71	15.15	1.78	16.20	1.84	16.97	1.86	18.32	1.90	19.38	1.94	
	115	13.72	1.78	14.78	1.84	15.83	1.91	16.60	1.93	17.95	1.97	19.01	2.01	
	118	13.49	1.82	14.55	1.88	15.61	1.95	16.38	1.97	17.73	2.01	18.79	2.05	
	122	13.42	1.87	14.48	1.94	15.54	2.01	16.30	2.03	17.66	2.07	18.71	2.11	
	12 + 18	14	17.45	1.03	18.53	1.07	19.62	1.11	20.40	1.12	21.78	1.14	22.87	1.17
		20	17.44	1.05	18.52	1.09	19.60	1.13	20.38	1.14	21.77	1.16	22.85	1.18
		25	17.42	1.06	18.50	1.10	19.59	1.14	20.37	1.16	21.75	1.18	22.83	1.20
		30	17.41	1.08	18.49	1.12	19.57	1.16	20.35	1.17	21.73	1.19	22.82	1.22
		35	17.40	1.09	18.48	1.13	19.56	1.17	20.34	1.19	21.72	1.21	22.80	1.23
		40	17.38	1.11	18.46	1.15	19.54	1.19	20.32	1.20	21.70	1.23	22.78	1.25
		45	17.37	1.12	18.45	1.16	19.53	1.21	20.31	1.22	21.68	1.24	22.76	1.27
		50	17.36	1.14	18.43	1.18	19.51	1.22	20.29	1.24	21.67	1.26	22.75	1.28
		55	17.34	1.15	18.42	1.19	19.50	1.24	20.27	1.25	21.65	1.28	22.73	1.30
		60	17.33	1.17	18.41	1.21	19.48	1.25	20.26	1.27	21.63	1.29	22.71	1.32
		65	17.32	1.18	18.39	1.23	19.47	1.27	20.24	1.28	21.62	1.31	22.69	1.33
		70	17.30	1.20	18.38	1.24	19.45	1.29	20.23	1.30	21.60	1.32	22.68	1.35
		75	16.89	1.26	17.96	1.31	19.03	1.36	19.80	1.37	21.17	1.40	22.25	1.42
		80	16.47	1.33	17.54	1.37	18.61	1.42	19.38	1.44	20.75	1.47	21.82	1.50
	85	16.06	1.39	17.12	1.44	18.19	1.49	18.96	1.51	20.32	1.54	21.39	1.57	
	90	15.64	1.46	16.71	1.51	17.77	1.56	18.54	1.58	19.90	1.61	20.96	1.64	
	95	15.20	1.52	16.26	1.58	17.31	1.63	17.80	1.65	19.43	1.68	20.49	1.72	
	100	14.83	1.58	15.89	1.64	16.94	1.70	17.57	1.72	19.06	1.75	20.12	1.79	
	105	14.46	1.65	15.52	1.71	16.57	1.77	17.34	1.79	18.69	1.83	19.75	1.86	
110	14.09	1.71	15.15	1.78	16.20	1.84	16.97	1.86	18.32	1.90	19.38	1.94		
115	13.72	1.78	14.78	1.84	15.83	1.91	16.60	1.93	17.95	1.97	19.01	2.01		
118	13.49	1.82	14.55	1.88	15.61	1.95	16.38	1.97	17.73	2.01	18.79	2.05		
122	13.42	1.87	14.48	1.94	15.54	2.01	16.30	2.03	17.66	2.07	18.71	2.11		

TC = Total Capacity (kBtu/h).

PI = Power Input (kW).

Nominal capacity as rated: 0 ft. above sea level with 25 ft. of refrigerant piping.
0 ft. level difference between outdoor and indoor units.

Nominal cooling capacity rating obtained with air entering the indoor unit at 80°F dry bulb (DB) and 67°F wet bulb (WB), and outdoor ambient conditions of 95°F dry bulb (DB) and 75°F wet bulb (WB).

The shaded table rows indicate reference data. When operating at this temperature, these values can be different if the system is not running consistently.

Multi F and Multi F MAX Heat Pump System Engineering Manual

Table 58: LMU24CHV Cooling Capacity Table — Ducted Indoor Units (continued).

Connected Indoor Units	Combination Capacity Index	Outdoor Air Temp. (°F DB)	Indoor Air Temp. °F DB / °F WB											
			68 / 57		73 / 61		77 / 64		80 / 67		86 / 72		90 / 75	
			TC	PI	TC	PI	TC	PI	TC	PI	TC	PI	TC	PI
Three (3) Ducted Indoor Units	9 + 9 + 9	14	17.45	0.97	18.53	1.00	19.62	1.04	20.40	1.05	21.78	1.07	22.87	1.09
		20	17.44	0.98	18.52	1.02	19.60	1.06	20.38	1.07	21.77	1.09	22.85	1.11
		25	17.42	1.00	18.50	1.03	19.59	1.07	20.37	1.08	21.75	1.10	22.83	1.13
		30	17.41	1.01	18.49	1.05	19.57	1.09	20.35	1.10	21.73	1.12	22.82	1.14
		35	17.40	1.02	18.48	1.06	19.56	1.10	20.34	1.11	21.72	1.13	22.80	1.16
		40	17.38	1.04	18.46	1.08	19.54	1.12	20.32	1.13	21.70	1.15	22.78	1.17
		45	17.37	1.05	18.45	1.09	19.53	1.13	20.31	1.14	21.68	1.16	22.76	1.19
		50	17.36	1.07	18.43	1.11	19.51	1.15	20.29	1.16	21.67	1.18	22.75	1.20
		55	17.34	1.08	18.42	1.12	19.50	1.16	20.27	1.17	21.65	1.20	22.73	1.22
		60	17.33	1.09	18.41	1.13	19.48	1.18	20.26	1.19	21.63	1.21	22.71	1.24
		65	17.32	1.11	18.39	1.15	19.47	1.19	20.24	1.20	21.62	1.23	22.69	1.25
		70	17.30	1.12	18.38	1.16	19.45	1.21	20.23	1.22	21.60	1.24	22.68	1.27
		75	16.89	1.18	17.96	1.23	19.03	1.27	19.80	1.28	21.17	1.31	22.25	1.34
		80	16.47	1.24	17.54	1.29	18.61	1.34	19.38	1.35	20.75	1.38	21.82	1.40
		85	16.06	1.30	17.12	1.35	18.19	1.40	18.96	1.42	20.32	1.44	21.39	1.47
		90	15.64	1.36	16.71	1.41	17.77	1.47	18.54	1.48	19.90	1.51	20.96	1.54
		95	15.20	1.42	16.26	1.48	17.31	1.53	17.80	1.55	19.43	1.58	20.49	1.61
		100	14.83	1.48	15.89	1.54	16.94	1.60	17.57	1.61	19.06	1.64	20.12	1.68
		105	14.46	1.55	15.52	1.60	16.57	1.66	17.34	1.68	18.69	1.71	19.75	1.75
		110	14.09	1.61	15.15	1.66	16.20	1.73	16.97	1.75	18.32	1.78	19.38	1.81
		115	13.72	1.67	14.78	1.73	15.83	1.79	16.60	1.81	17.95	1.85	19.01	1.88
	118	13.49	1.70	14.55	1.77	15.61	1.83	16.38	1.85	17.73	1.89	18.79	1.92	
	122	13.42	1.75	14.48	1.82	15.54	1.88	16.30	1.90	17.66	1.94	18.71	1.98	
	9 + 9 + 12	14	17.45	0.97	18.53	1.00	19.62	1.04	20.40	1.05	21.78	1.07	22.87	1.09
		20	17.44	0.98	18.52	1.02	19.60	1.06	20.38	1.07	21.77	1.09	22.85	1.11
		25	17.42	1.00	18.50	1.03	19.59	1.07	20.37	1.08	21.75	1.10	22.83	1.13
		30	17.41	1.01	18.49	1.05	19.57	1.09	20.35	1.10	21.73	1.12	22.82	1.14
		35	17.40	1.02	18.48	1.06	19.56	1.10	20.34	1.11	21.72	1.13	22.80	1.16
		40	17.38	1.04	18.46	1.08	19.54	1.12	20.32	1.13	21.70	1.15	22.78	1.17
		45	17.37	1.05	18.45	1.09	19.53	1.13	20.31	1.14	21.68	1.16	22.76	1.19
		50	17.36	1.07	18.43	1.11	19.51	1.15	20.29	1.16	21.67	1.18	22.75	1.20
		55	17.34	1.08	18.42	1.12	19.50	1.16	20.27	1.17	21.65	1.20	22.73	1.22
		60	17.33	1.09	18.41	1.13	19.48	1.18	20.26	1.19	21.63	1.21	22.71	1.24
		65	17.32	1.11	18.39	1.15	19.47	1.19	20.24	1.20	21.62	1.23	22.69	1.25
		70	17.30	1.12	18.38	1.16	19.45	1.21	20.23	1.22	21.60	1.24	22.68	1.27
		75	16.89	1.18	17.96	1.23	19.03	1.27	19.80	1.28	21.17	1.31	22.25	1.34
		80	16.47	1.24	17.54	1.29	18.61	1.34	19.38	1.35	20.75	1.38	21.82	1.40
		85	16.06	1.30	17.12	1.35	18.19	1.40	18.96	1.42	20.32	1.44	21.39	1.47
		90	15.64	1.36	16.71	1.41	17.77	1.47	18.54	1.48	19.90	1.51	20.96	1.54
		95	15.20	1.42	16.26	1.48	17.31	1.53	17.80	1.55	19.43	1.58	20.49	1.61
		100	14.83	1.48	15.89	1.54	16.94	1.60	17.57	1.61	19.06	1.64	20.12	1.68
		105	14.46	1.55	15.52	1.60	16.57	1.66	17.34	1.68	18.69	1.71	19.75	1.75
110		14.09	1.61	15.15	1.66	16.20	1.73	16.97	1.75	18.32	1.78	19.38	1.81	
115		13.72	1.67	14.78	1.73	15.83	1.79	16.60	1.81	17.95	1.85	19.01	1.88	
118	13.49	1.70	14.55	1.77	15.61	1.83	16.38	1.85	17.73	1.89	18.79	1.92		
122	13.42	1.75	14.48	1.82	15.54	1.88	16.30	1.90	17.66	1.94	18.71	1.98		

TC = Total Capacity (kBtu/h).

PI = Power Input (kW).

Nominal capacity as rated: 0 ft. above sea level with 25 ft. of refrigerant piping.
0 ft. level difference between outdoor and indoor units.

Nominal cooling capacity rating obtained with air entering the indoor unit at 80°F dry bulb (DB) and 67°F wet bulb (WB), and outdoor ambient conditions of 95°F dry bulb (DB) and 75°F wet bulb (WB).

The shaded table rows indicate reference data. When operating at this temperature, these values can be different if the system is not running consistently.

PERFORMANCE DATA

Cooling Capacity Tables

MULTI F
MULTI F MAX

Table 59: LMU24CHV Cooling Capacity Table — Ducted (continued) and Mixed Indoor Units.

Connected Indoor Units	Combination Capacity Index	Outdoor Air Temp. (°F DB)	Indoor Air Temp. °F DB / °F WB											
			68 / 57		73 / 61		77 / 64		80 / 67		86 / 72		90 / 75	
			TC	PI	TC	PI	TC	PI	TC	PI	TC	PI	TC	PI
Three (3) Ducted Indoor Units	9 + 12 + 12	14	17.45	0.97	18.53	1.00	19.62	1.04	20.40	1.05	21.78	1.07	22.87	1.09
		20	17.44	0.98	18.52	1.02	19.60	1.06	20.38	1.07	21.77	1.09	22.85	1.11
		25	17.42	1.00	18.50	1.03	19.59	1.07	20.37	1.08	21.75	1.10	22.83	1.13
		30	17.41	1.01	18.49	1.05	19.57	1.09	20.35	1.10	21.73	1.12	22.82	1.14
		35	17.40	1.02	18.48	1.06	19.56	1.10	20.34	1.11	21.72	1.13	22.80	1.16
		40	17.38	1.04	18.46	1.08	19.54	1.12	20.32	1.13	21.70	1.15	22.78	1.17
		45	17.37	1.05	18.45	1.09	19.53	1.13	20.31	1.14	21.68	1.16	22.76	1.19
		50	17.36	1.07	18.43	1.11	19.51	1.15	20.29	1.16	21.67	1.18	22.75	1.20
		55	17.34	1.08	18.42	1.12	19.50	1.16	20.27	1.17	21.65	1.20	22.73	1.22
		60	17.33	1.09	18.41	1.13	19.48	1.18	20.26	1.19	21.63	1.21	22.71	1.24
		65	17.32	1.11	18.39	1.15	19.47	1.19	20.24	1.20	21.62	1.23	22.69	1.25
		70	17.30	1.12	18.38	1.16	19.45	1.21	20.23	1.22	21.60	1.24	22.68	1.27
		75	16.89	1.18	17.96	1.23	19.03	1.27	19.80	1.28	21.17	1.31	22.25	1.34
		80	16.47	1.24	17.54	1.29	18.61	1.34	19.38	1.35	20.75	1.38	21.82	1.40
		85	16.06	1.30	17.12	1.35	18.19	1.40	18.96	1.42	20.32	1.44	21.39	1.47
		90	15.64	1.36	16.71	1.41	17.77	1.47	18.54	1.48	19.90	1.51	20.96	1.54
		95	15.20	1.42	16.26	1.48	17.31	1.53	17.80	1.55	19.43	1.58	20.49	1.61
		100	14.83	1.48	15.89	1.54	16.94	1.60	17.57	1.61	19.06	1.64	20.12	1.68
		105	14.46	1.55	15.52	1.60	16.57	1.66	17.34	1.68	18.69	1.71	19.75	1.75
		110	14.09	1.61	15.15	1.66	16.20	1.73	16.97	1.75	18.32	1.78	19.38	1.81
115	13.72	1.67	14.78	1.73	15.83	1.79	16.60	1.81	17.95	1.85	19.01	1.88		
118	13.49	1.70	14.55	1.77	15.61	1.83	16.38	1.85	17.73	1.89	18.79	1.92		
122	13.42	1.75	14.48	1.82	15.54	1.88	16.30	1.90	17.66	1.94	18.71	1.98		
Two (2) Mixed Indoor Units	7 + 9	14	14.82	0.83	15.74	0.86	16.66	0.89	17.33	0.90	18.50	0.91	19.42	0.93
		20	14.81	0.84	15.73	0.87	16.65	0.90	17.31	0.91	18.49	0.93	19.41	0.95
		25	14.80	0.85	15.72	0.88	16.64	0.91	17.30	0.92	18.48	0.94	19.40	0.96
		30	14.79	0.86	15.71	0.89	16.63	0.93	17.29	0.94	18.46	0.95	19.38	0.97
		35	14.78	0.87	15.69	0.90	16.61	0.94	17.28	0.95	18.45	0.97	19.37	0.99
		40	14.77	0.88	15.68	0.92	16.60	0.95	17.26	0.96	18.43	0.98	19.35	1.00
		45	14.75	0.90	15.67	0.93	16.59	0.96	17.25	0.97	18.42	0.99	19.34	1.01
		50	14.74	0.91	15.66	0.94	16.57	0.98	17.24	0.99	18.41	1.01	19.32	1.03
		55	14.73	0.92	15.65	0.95	16.56	0.99	17.22	1.00	18.39	1.02	19.31	1.04
		60	14.72	0.93	15.63	0.97	16.55	1.00	17.21	1.01	18.38	1.03	19.29	1.05
		65	14.71	0.94	15.62	0.98	16.54	1.01	17.20	1.03	18.36	1.05	19.28	1.07
		70	14.70	0.96	15.61	0.99	16.52	1.03	17.18	1.04	18.35	1.06	19.26	1.08
		75	14.34	1.01	15.25	1.04	16.17	1.08	16.82	1.09	17.99	1.12	18.90	1.14
		80	13.99	1.06	14.90	1.10	15.81	1.14	16.46	1.15	17.62	1.17	18.53	1.20
		85	13.64	1.11	14.55	1.15	15.45	1.19	16.11	1.21	17.26	1.23	18.17	1.25
		90	13.29	1.16	14.19	1.20	15.10	1.25	15.75	1.26	16.90	1.29	17.81	1.31
		95	12.91	1.21	13.81	1.26	14.71	1.30	15.12	1.32	16.51	1.34	17.41	1.37
		100	12.59	1.27	13.49	1.31	14.39	1.36	14.92	1.38	16.19	1.40	17.09	1.43
		105	12.28	1.32	13.18	1.37	14.08	1.41	14.73	1.43	15.88	1.46	16.78	1.49
		110	11.97	1.37	12.87	1.42	13.76	1.47	14.41	1.49	15.56	1.52	16.46	1.55
115	11.65	1.42	12.55	1.47	13.45	1.53	14.10	1.54	15.25	1.57	16.15	1.60		
118	11.46	1.45	12.36	1.50	13.26	1.56	13.91	1.58	15.06	1.61	15.96	1.64		
122	11.40	1.49	12.30	1.55	13.20	1.60	13.85	1.62	15.00	1.65	15.90	1.69		

TC = Total Capacity (kBtu/h).

PI = Power Input (kW).

Nominal capacity as rated: 0 ft. above sea level with 25 ft. of refrigerant piping.
0 ft. level difference between outdoor and indoor units.

Nominal cooling capacity rating obtained with air entering the indoor unit at 80°F dry bulb (DB) and 67°F wet bulb (WB), and outdoor ambient conditions of 95°F dry bulb (DB) and 75°F wet bulb (WB).

The shaded table rows indicate reference data. When operating at this temperature, these values can be different if the system is not running consistently.

Multi F and Multi F MAX Heat Pump System Engineering Manual

Table 60: LMU24CHV Cooling Capacity Table — Mixed Indoor Units.

Connected Indoor Units	Combination Capacity Index	Outdoor Air Temp. (°F DB)	Indoor Air Temp. °F DB / °F WB											
			68 / 57		73 / 61		77 / 64		80 / 67		86 / 72		90 / 75	
			TC	PI	TC	PI	TC	PI	TC	PI	TC	PI	TC	PI
Two (2) Mixed Indoor Units	9 + 9	14	16.67	0.92	17.71	0.96	18.75	0.99	19.49	1.00	20.82	1.02	21.85	1.04
		20	16.66	0.93	17.70	0.97	18.73	1.00	19.48	1.02	20.80	1.03	21.84	1.06
		25	16.65	0.95	17.68	0.98	18.72	1.02	19.46	1.03	20.79	1.05	21.82	1.07
		30	16.64	0.96	17.67	1.00	18.70	1.03	19.45	1.04	20.77	1.06	21.80	1.09
		35	16.62	0.97	17.66	1.01	18.69	1.05	19.43	1.06	20.75	1.08	21.79	1.10
		40	16.61	0.99	17.64	1.02	18.67	1.06	19.42	1.07	20.74	1.09	21.77	1.12
		45	16.60	1.00	17.63	1.04	18.66	1.08	19.40	1.09	20.72	1.11	21.75	1.13
		50	16.59	1.01	17.62	1.05	18.65	1.09	19.39	1.10	20.71	1.12	21.74	1.15
		55	16.57	1.03	17.60	1.06	18.63	1.10	19.37	1.12	20.69	1.14	21.72	1.16
		60	16.56	1.04	17.59	1.08	18.62	1.12	19.36	1.13	20.67	1.15	21.70	1.18
		65	16.55	1.05	17.58	1.09	18.60	1.13	19.35	1.15	20.66	1.17	21.69	1.19
		70	16.53	1.07	17.56	1.11	18.59	1.15	19.33	1.16	20.64	1.18	21.67	1.21
		75	16.14	1.12	17.16	1.17	18.19	1.21	18.93	1.22	20.23	1.25	21.26	1.27
		80	15.74	1.18	16.76	1.23	17.78	1.27	18.52	1.28	19.83	1.31	20.85	1.34
		85	15.34	1.24	16.36	1.29	17.38	1.33	18.12	1.35	19.42	1.37	20.44	1.40
		90	14.95	1.30	15.97	1.34	16.98	1.39	17.72	1.41	19.02	1.44	20.03	1.47
		95	14.52	1.36	15.53	1.40	16.55	1.46	17.01	1.47	18.57	1.50	19.58	1.53
		100	14.17	1.41	15.18	1.46	16.19	1.52	16.79	1.54	18.22	1.56	19.23	1.60
	105	13.82	1.47	14.83	1.52	15.84	1.58	16.57	1.60	17.86	1.63	18.87	1.66	
	110	13.46	1.53	14.47	1.58	15.48	1.64	16.22	1.66	17.51	1.69	18.52	1.73	
	115	13.11	1.59	14.12	1.64	15.13	1.70	15.86	1.72	17.15	1.76	18.17	1.79	
	118	12.90	1.62	13.91	1.68	14.92	1.74	15.65	1.76	16.94	1.79	17.95	1.83	
	122	12.82	1.67	13.84	1.73	14.85	1.79	15.58	1.81	16.87	1.84	17.88	1.88	
	14	17.60	0.97	18.69	1.00	19.79	1.04	20.58	1.05	21.97	1.07	23.07	1.09	
	20	17.59	0.98	18.68	1.02	19.77	1.05	20.56	1.07	21.96	1.09	23.05	1.11	
	25	17.57	0.99	18.67	1.03	19.76	1.07	20.55	1.08	21.94	1.10	23.03	1.12	
	30	17.56	1.01	18.65	1.04	19.74	1.08	20.53	1.10	21.92	1.12	23.01	1.14	
	35	17.55	1.02	18.64	1.06	19.73	1.10	20.51	1.11	21.91	1.13	23.00	1.15	
	40	17.53	1.04	18.62	1.07	19.71	1.11	20.50	1.13	21.89	1.15	22.98	1.17	
	45	17.52	1.05	18.61	1.09	19.70	1.13	20.48	1.14	21.87	1.16	22.96	1.19	
	50	17.51	1.06	18.59	1.10	19.68	1.14	20.47	1.16	21.86	1.18	22.94	1.20	
	55	17.49	1.08	18.58	1.12	19.67	1.16	20.45	1.17	21.84	1.19	22.93	1.22	
	60	17.48	1.09	18.57	1.13	19.65	1.17	20.44	1.19	21.82	1.21	22.91	1.23	
	65	17.47	1.11	18.55	1.15	19.64	1.19	20.42	1.20	21.81	1.22	22.89	1.25	
	70	17.45	1.12	18.54	1.16	19.62	1.20	20.40	1.22	21.79	1.24	22.87	1.26	
	75	17.03	1.18	18.11	1.22	19.20	1.27	19.98	1.28	21.36	1.31	22.44	1.33	
80	16.61	1.24	17.69	1.29	18.77	1.33	19.55	1.35	20.93	1.37	22.01	1.40		
85	16.20	1.30	17.27	1.35	18.35	1.40	19.13	1.41	20.50	1.44	21.58	1.47		
90	15.78	1.36	16.85	1.41	17.93	1.46	18.70	1.48	20.07	1.51	21.15	1.54		
95	15.33	1.42	16.40	1.47	17.47	1.53	17.96	1.54	19.60	1.57	20.67	1.60		
100	14.96	1.48	16.02	1.54	17.09	1.59	17.72	1.61	19.23	1.64	20.30	1.67		
105	14.58	1.54	15.65	1.60	16.72	1.66	17.49	1.68	18.85	1.71	19.92	1.74		
110	14.21	1.60	15.28	1.66	16.35	1.72	17.12	1.74	18.48	1.77	19.55	1.81		
115	13.84	1.66	14.90	1.72	15.97	1.79	16.74	1.81	18.11	1.84	19.18	1.88		
118	13.61	1.70	14.68	1.76	15.75	1.82	16.52	1.85	17.88	1.88	18.95	1.92		
122	13.54	1.75	14.61	1.81	15.67	1.88	16.44	1.90	17.81	1.93	18.88	1.97		

TC = Total Capacity (kBtu/h).

PI = Power Input (kW).

Nominal capacity as rated: 0 ft. above sea level with 25 ft. of refrigerant piping.
0 ft. level difference between outdoor and indoor units.

Nominal cooling capacity rating obtained with air entering the indoor unit at 80°F dry bulb (DB) and 67°F wet bulb (WB), and outdoor ambient conditions of 95°F dry bulb (DB) and 75°F wet bulb (WB).

The shaded table rows indicate reference data. When operating at this temperature, these values can be different if the system is not running consistently.

PERFORMANCE DATA

Cooling Capacity Tables

MULTI F
MULTI F MAX

Table 61: LMU24CHV Cooling Capacity Table — Mixed Indoor Units.

Connected Indoor Units	Combination Capacity Index	Outdoor Air Temp. (°F DB)	Indoor Air Temp. °F DB / °F WB											
			68 / 57		73 / 61		77 / 64		80 / 67		86 / 72		90 / 75	
			TC	PI	TC	PI	TC	PI	TC	PI	TC	PI	TC	PI
Two (2) Mixed Indoor Units	9 + 12	14	18.53	1.01	19.68	1.05	20.83	1.09	21.66	1.10	23.13	1.12	24.28	1.14
		20	18.51	1.03	19.66	1.06	20.81	1.10	21.64	1.11	23.11	1.14	24.26	1.16
		25	18.50	1.04	19.65	1.08	20.80	1.12	21.63	1.13	23.09	1.15	24.24	1.17
		30	18.49	1.05	19.63	1.09	20.78	1.13	21.61	1.15	23.08	1.17	24.23	1.19
		35	18.47	1.07	19.62	1.11	20.77	1.15	21.59	1.16	23.06	1.18	24.21	1.21
		40	18.46	1.08	19.60	1.12	20.75	1.16	21.58	1.18	23.04	1.20	24.19	1.22
		45	18.44	1.10	19.59	1.14	20.73	1.18	21.56	1.19	23.02	1.22	24.17	1.24
		50	18.43	1.11	19.57	1.15	20.72	1.20	21.54	1.21	23.01	1.23	24.15	1.26
		55	18.41	1.13	19.56	1.17	20.70	1.21	21.53	1.23	22.99	1.25	24.13	1.27
		60	18.40	1.14	19.54	1.18	20.69	1.23	21.51	1.24	22.97	1.26	24.11	1.29
		65	18.39	1.16	19.53	1.20	20.67	1.24	21.49	1.26	22.95	1.28	24.10	1.31
		70	18.37	1.17	19.51	1.21	20.65	1.26	21.48	1.27	22.94	1.30	24.08	1.32
		75	17.93	1.23	19.07	1.28	20.21	1.33	21.03	1.34	22.48	1.37	23.62	1.39
		80	17.49	1.30	18.62	1.34	19.76	1.39	20.58	1.41	22.03	1.44	23.16	1.47
		85	17.05	1.36	18.18	1.41	19.31	1.46	20.13	1.48	21.58	1.51	22.71	1.54
		90	16.61	1.42	17.74	1.48	18.87	1.53	19.69	1.55	21.13	1.58	22.26	1.61
		95	16.14	1.49	17.26	1.54	18.38	1.60	18.90	1.62	20.63	1.65	21.76	1.68
		100	15.74	1.55	16.87	1.61	17.99	1.67	18.66	1.68	20.24	1.72	21.36	1.75
	105	15.35	1.61	16.47	1.67	17.60	1.73	18.41	1.75	19.85	1.79	20.97	1.82	
	110	14.96	1.68	16.08	1.74	17.21	1.80	18.02	1.82	19.45	1.86	20.58	1.89	
	115	14.56	1.74	15.69	1.80	16.81	1.87	17.62	1.89	19.06	1.93	20.18	1.96	
	118	14.33	1.78	15.45	1.84	16.58	1.91	17.39	1.93	18.83	1.97	19.95	2.01	
	122	14.25	1.83	15.37	1.89	16.50	1.96	17.31	1.99	18.75	2.02	19.87	2.06	
	9 + 15	14	18.53	1.01	19.68	1.05	20.83	1.09	21.66	1.10	23.13	1.12	24.28	1.14
		20	18.51	1.03	19.66	1.06	20.81	1.10	21.64	1.11	23.11	1.14	24.26	1.16
		25	18.50	1.04	19.65	1.08	20.80	1.12	21.63	1.13	23.09	1.15	24.24	1.17
		30	18.49	1.05	19.63	1.09	20.78	1.13	21.61	1.15	23.08	1.17	24.23	1.19
		35	18.47	1.07	19.62	1.11	20.77	1.15	21.59	1.16	23.06	1.18	24.21	1.21
		40	18.46	1.08	19.60	1.12	20.75	1.16	21.58	1.18	23.04	1.20	24.19	1.22
		45	18.44	1.10	19.59	1.14	20.73	1.18	21.56	1.19	23.02	1.22	24.17	1.24
		50	18.43	1.11	19.57	1.15	20.72	1.20	21.54	1.21	23.01	1.23	24.15	1.26
		55	18.41	1.13	19.56	1.17	20.70	1.21	21.53	1.23	22.99	1.25	24.13	1.27
		60	18.40	1.14	19.54	1.18	20.69	1.23	21.51	1.24	22.97	1.26	24.11	1.29
		65	18.39	1.16	19.53	1.20	20.67	1.24	21.49	1.26	22.95	1.28	24.10	1.31
		70	18.37	1.17	19.51	1.21	20.65	1.26	21.48	1.27	22.94	1.30	24.08	1.32
		75	17.93	1.23	19.07	1.28	20.21	1.33	21.03	1.34	22.48	1.37	23.62	1.39
		80	17.49	1.30	18.62	1.34	19.76	1.39	20.58	1.41	22.03	1.44	23.16	1.47
	85	17.05	1.36	18.18	1.41	19.31	1.46	20.13	1.48	21.58	1.51	22.71	1.54	
	90	16.61	1.42	17.74	1.48	18.87	1.53	19.69	1.55	21.13	1.58	22.26	1.61	
	95	16.14	1.49	17.26	1.54	18.38	1.60	18.90	1.62	20.63	1.65	21.76	1.68	
	100	15.74	1.55	16.87	1.61	17.99	1.67	18.66	1.68	20.24	1.72	21.36	1.75	
	105	15.35	1.61	16.47	1.67	17.60	1.73	18.41	1.75	19.85	1.79	20.97	1.82	
110	14.96	1.68	16.08	1.74	17.21	1.80	18.02	1.82	19.45	1.86	20.58	1.89		
115	14.56	1.74	15.69	1.80	16.81	1.87	17.62	1.89	19.06	1.93	20.18	1.96		
118	14.33	1.78	15.45	1.84	16.58	1.91	17.39	1.93	18.83	1.97	19.95	2.01		
122	14.25	1.83	15.37	1.89	16.50	1.96	17.31	1.99	18.75	2.02	19.87	2.06		

TC = Total Capacity (kBtu/h).

PI = Power Input (kW).

Nominal capacity as rated: 0 ft. above sea level with 25 ft. of refrigerant piping.
0 ft. level difference between outdoor and indoor units.

Nominal cooling capacity rating obtained with air entering the indoor unit at 80°F dry bulb (DB) and 67°F wet bulb (WB), and outdoor ambient conditions of 95°F dry bulb (DB) and 75°F wet bulb (WB).

The shaded table rows indicate reference data. When operating at this temperature, these values can be different if the system is not running consistently.

Table 62: LMU24CHV Cooling Capacity Table — Mixed Indoor Units.

Connected Indoor Units	Combination Capacity Index	Outdoor Air Temp. (°F DB)	Indoor Air Temp. °F DB / °F WB											
			68 / 57		73 / 61		77 / 64		80 / 67		86 / 72		90 / 75	
			TC	PI	TC	PI	TC	PI	TC	PI	TC	PI	TC	PI
Two (2) Mixed Indoor Units	12 + 12	14	18.53	1.01	19.68	1.05	20.83	1.09	21.66	1.10	23.13	1.12	24.28	1.14
		20	18.51	1.03	19.66	1.06	20.81	1.10	21.64	1.11	23.11	1.14	24.26	1.16
		25	18.50	1.04	19.65	1.08	20.80	1.12	21.63	1.13	23.09	1.15	24.24	1.17
		30	18.49	1.05	19.63	1.09	20.78	1.13	21.61	1.15	23.08	1.17	24.23	1.19
		35	18.47	1.07	19.62	1.11	20.77	1.15	21.59	1.16	23.06	1.18	24.21	1.21
		40	18.46	1.08	19.60	1.12	20.75	1.16	21.58	1.18	23.04	1.20	24.19	1.22
		45	18.44	1.10	19.59	1.14	20.73	1.18	21.56	1.19	23.02	1.22	24.17	1.24
		50	18.43	1.11	19.57	1.15	20.72	1.20	21.54	1.21	23.01	1.23	24.15	1.26
		55	18.41	1.13	19.56	1.17	20.70	1.21	21.53	1.23	22.99	1.25	24.13	1.27
		60	18.40	1.14	19.54	1.18	20.69	1.23	21.51	1.24	22.97	1.26	24.11	1.29
		65	18.39	1.16	19.53	1.20	20.67	1.24	21.49	1.26	22.95	1.28	24.10	1.31
		70	18.37	1.17	19.51	1.21	20.65	1.26	21.48	1.27	22.94	1.30	24.08	1.32
		75	17.93	1.23	19.07	1.28	20.21	1.33	21.03	1.34	22.48	1.37	23.62	1.39
		80	17.49	1.30	18.62	1.34	19.76	1.39	20.58	1.41	22.03	1.44	23.16	1.47
		85	17.05	1.36	18.18	1.41	19.31	1.46	20.13	1.48	21.58	1.51	22.71	1.54
		90	16.61	1.42	17.74	1.48	18.87	1.53	19.69	1.55	21.13	1.58	22.26	1.61
		95	16.14	1.49	17.26	1.54	18.38	1.60	19.90	1.62	20.63	1.65	21.76	1.68
		100	15.74	1.55	16.87	1.61	17.99	1.67	18.66	1.68	20.24	1.72	21.36	1.75
		105	15.35	1.61	16.47	1.67	17.60	1.73	18.41	1.75	19.85	1.79	20.97	1.82
		110	14.96	1.68	16.08	1.74	17.21	1.80	18.02	1.82	19.45	1.86	20.58	1.89
		115	14.56	1.74	15.69	1.80	16.81	1.87	17.62	1.89	19.06	1.93	20.18	1.96
		118	14.33	1.78	15.45	1.84	16.58	1.91	17.39	1.93	18.83	1.97	19.95	2.01
	122	14.25	1.83	15.37	1.89	16.50	1.96	17.31	1.99	18.75	2.02	19.87	2.06	
	7 + 18	14	18.53	1.01	19.68	1.05	20.83	1.09	21.66	1.10	23.13	1.12	24.28	1.14
		20	18.51	1.03	19.66	1.06	20.81	1.10	21.64	1.11	23.11	1.14	24.26	1.16
		25	18.50	1.04	19.65	1.08	20.80	1.12	21.63	1.13	23.09	1.15	24.24	1.17
		30	18.49	1.05	19.63	1.09	20.78	1.13	21.61	1.15	23.08	1.17	24.23	1.19
		35	18.47	1.07	19.62	1.11	20.77	1.15	21.59	1.16	23.06	1.18	24.21	1.21
		40	18.46	1.08	19.60	1.12	20.75	1.16	21.58	1.18	23.04	1.20	24.19	1.22
		45	18.44	1.10	19.59	1.14	20.73	1.18	21.56	1.19	23.02	1.22	24.17	1.24
		50	18.43	1.11	19.57	1.15	20.72	1.20	21.54	1.21	23.01	1.23	24.15	1.26
		55	18.41	1.13	19.56	1.17	20.70	1.21	21.53	1.23	22.99	1.25	24.13	1.27
		60	18.40	1.14	19.54	1.18	20.69	1.23	21.51	1.24	22.97	1.26	24.11	1.29
		65	18.39	1.16	19.53	1.20	20.67	1.24	21.49	1.26	22.95	1.28	24.10	1.31
		70	18.37	1.17	19.51	1.21	20.65	1.26	21.48	1.27	22.94	1.30	24.08	1.32
		75	17.93	1.23	19.07	1.28	20.21	1.33	21.03	1.34	22.48	1.37	23.62	1.39
		80	17.49	1.30	18.62	1.34	19.76	1.39	20.58	1.41	22.03	1.44	23.16	1.47
		85	17.05	1.36	18.18	1.41	19.31	1.46	20.13	1.48	21.58	1.51	22.71	1.54
		90	16.61	1.42	17.74	1.48	18.87	1.53	19.69	1.55	21.13	1.58	22.26	1.61
		95	16.14	1.49	17.26	1.54	18.38	1.60	19.90	1.62	20.63	1.65	21.76	1.68
		100	15.74	1.55	16.87	1.61	17.99	1.67	18.66	1.68	20.24	1.72	21.36	1.75
		105	15.35	1.61	16.47	1.67	17.60	1.73	18.41	1.75	19.85	1.79	20.97	1.82
110		14.96	1.68	16.08	1.74	17.21	1.80	18.02	1.82	19.45	1.86	20.58	1.89	
115		14.56	1.74	15.69	1.80	16.81	1.87	17.62	1.89	19.06	1.93	20.18	1.96	
118		14.33	1.78	15.45	1.84	16.58	1.91	17.39	1.93	18.83	1.97	19.95	2.01	
122	14.25	1.83	15.37	1.89	16.50	1.96	17.31	1.99	18.75	2.02	19.87	2.06		

TC = Total Capacity (kBtu/h).

PI = Power Input (kW).

Nominal capacity as rated: 0 ft. above sea level with 25 ft. of refrigerant piping.
0 ft. level difference between outdoor and indoor units.

Nominal cooling capacity rating obtained with air entering the indoor unit at 80°F dry bulb (DB) and 67°F wet bulb (WB), and outdoor ambient conditions of 95°F dry bulb (DB) and 75°F wet bulb (WB).

The shaded rows indicate reference data. When operating at this temperature, these values can be different if the system is not running consistently.

PERFORMANCE DATA

Cooling Capacity Tables

MULTI F
MULTI F MAX

Table 63: LMU24CHV Cooling Capacity Table — Mixed Indoor Units.

Connected Indoor Units	Combination Capacity Index	Outdoor Air Temp. (°F DB)	Indoor Air Temp. °F DB / °F WB											
			68 / 57		73 / 61		77 / 64		80 / 67		86 / 72		90 / 75	
			TC	PI	TC	PI	TC	PI	TC	PI	TC	PI	TC	PI
Two (2) Mixed Indoor Units	9 + 18	14	18.53	1.01	19.68	1.05	20.83	1.09	21.66	1.10	23.13	1.12	24.28	1.14
		20	18.51	1.03	19.66	1.06	20.81	1.10	21.64	1.11	23.11	1.14	24.26	1.16
		25	18.50	1.04	19.65	1.08	20.80	1.12	21.63	1.13	23.09	1.15	24.24	1.17
		30	18.49	1.05	19.63	1.09	20.78	1.13	21.61	1.15	23.08	1.17	24.23	1.19
		35	18.47	1.07	19.62	1.11	20.77	1.15	21.59	1.16	23.06	1.18	24.21	1.21
		40	18.46	1.08	19.60	1.12	20.75	1.16	21.58	1.18	23.04	1.20	24.19	1.22
		45	18.44	1.10	19.59	1.14	20.73	1.18	21.56	1.19	23.02	1.22	24.17	1.24
		50	18.43	1.11	19.57	1.15	20.72	1.20	21.54	1.21	23.01	1.23	24.15	1.26
		55	18.41	1.13	19.56	1.17	20.70	1.21	21.53	1.23	22.99	1.25	24.13	1.27
		60	18.40	1.14	19.54	1.18	20.69	1.23	21.51	1.24	22.97	1.26	24.11	1.29
		65	18.39	1.16	19.53	1.20	20.67	1.24	21.49	1.26	22.95	1.28	24.10	1.31
		70	18.37	1.17	19.51	1.21	20.65	1.26	21.48	1.27	22.94	1.30	24.08	1.32
		75	17.93	1.23	19.07	1.28	20.21	1.33	21.03	1.34	22.48	1.37	23.62	1.39
		80	17.49	1.30	18.62	1.34	19.76	1.39	20.58	1.41	22.03	1.44	23.16	1.47
		85	17.05	1.36	18.18	1.41	19.31	1.46	20.13	1.48	21.58	1.51	22.71	1.54
		90	16.61	1.42	17.74	1.48	18.87	1.53	19.69	1.55	21.13	1.58	22.26	1.61
		95	16.14	1.49	17.26	1.54	18.38	1.60	18.90	1.62	20.63	1.65	21.76	1.68
		100	15.74	1.55	16.87	1.61	17.99	1.67	18.66	1.68	20.24	1.72	21.36	1.75
	105	15.35	1.61	16.47	1.67	17.60	1.73	18.41	1.75	19.85	1.79	20.97	1.82	
	110	14.96	1.68	16.08	1.74	17.21	1.80	18.02	1.82	19.45	1.86	20.58	1.89	
	115	14.56	1.74	15.69	1.80	16.81	1.87	17.62	1.89	19.06	1.93	20.18	1.96	
	118	14.33	1.78	15.45	1.84	16.58	1.91	17.39	1.93	18.83	1.97	19.95	2.01	
	122	14.25	1.83	15.37	1.89	16.50	1.96	17.31	1.99	18.75	2.02	19.87	2.06	
	12 + 15	14	18.53	1.01	19.68	1.05	20.83	1.09	21.66	1.10	23.13	1.12	24.28	1.14
		20	18.51	1.03	19.66	1.06	20.81	1.10	21.64	1.11	23.11	1.14	24.26	1.16
		25	18.50	1.04	19.65	1.08	20.80	1.12	21.63	1.13	23.09	1.15	24.24	1.17
		30	18.49	1.05	19.63	1.09	20.78	1.13	21.61	1.15	23.08	1.17	24.23	1.19
		35	18.47	1.07	19.62	1.11	20.77	1.15	21.59	1.16	23.06	1.18	24.21	1.21
		40	18.46	1.08	19.60	1.12	20.75	1.16	21.58	1.18	23.04	1.20	24.19	1.22
		45	18.44	1.10	19.59	1.14	20.73	1.18	21.56	1.19	23.02	1.22	24.17	1.24
		50	18.43	1.11	19.57	1.15	20.72	1.20	21.54	1.21	23.01	1.23	24.15	1.26
		55	18.41	1.13	19.56	1.17	20.70	1.21	21.53	1.23	22.99	1.25	24.13	1.27
		60	18.40	1.14	19.54	1.18	20.69	1.23	21.51	1.24	22.97	1.26	24.11	1.29
		65	18.39	1.16	19.53	1.20	20.67	1.24	21.49	1.26	22.95	1.28	24.10	1.31
		70	18.37	1.17	19.51	1.21	20.65	1.26	21.48	1.27	22.94	1.30	24.08	1.32
		75	17.93	1.23	19.07	1.28	20.21	1.33	21.03	1.34	22.48	1.37	23.62	1.39
		80	17.49	1.30	18.62	1.34	19.76	1.39	20.58	1.41	22.03	1.44	23.16	1.47
	85	17.05	1.36	18.18	1.41	19.31	1.46	20.13	1.48	21.58	1.51	22.71	1.54	
	90	16.61	1.42	17.74	1.48	18.87	1.53	19.69	1.55	21.13	1.58	22.26	1.61	
	95	16.14	1.49	17.26	1.54	18.38	1.60	18.90	1.62	20.63	1.65	21.76	1.68	
	100	15.74	1.55	16.87	1.61	17.99	1.67	18.66	1.68	20.24	1.72	21.36	1.75	
	105	15.35	1.61	16.47	1.67	17.60	1.73	18.41	1.75	19.85	1.79	20.97	1.82	
110	14.96	1.68	16.08	1.74	17.21	1.80	18.02	1.82	19.45	1.86	20.58	1.89		
115	14.56	1.74	15.69	1.80	16.81	1.87	17.62	1.89	19.06	1.93	20.18	1.96		
118	14.33	1.78	15.45	1.84	16.58	1.91	17.39	1.93	18.83	1.97	19.95	2.01		
122	14.25	1.83	15.37	1.89	16.50	1.96	17.31	1.99	18.75	2.02	19.87	2.06		

TC = Total Capacity (kBtu/h).

PI = Power Input (kW).

Nominal capacity as rated: 0 ft. above sea level with 25 ft. of refrigerant piping.
0 ft. level difference between outdoor and indoor units.

Nominal cooling capacity rating obtained with air entering the indoor unit at 80°F dry bulb (DB) and 67°F wet bulb (WB), and outdoor ambient conditions of 95°F dry bulb (DB) and 75°F wet bulb (WB).

The shaded rows indicate reference data. When operating at this temperature, these values can be different if the system is not running consistently.



Multi F and Multi F MAX Heat Pump System Engineering Manual

Table 64: LMU24CHV Cooling Capacity Table — Mixed Indoor Units.

Connected Indoor Units	Combination Capacity Index	Outdoor Air Temp. (°F DB)	Indoor Air Temp. °F DB / °F WB											
			68 / 57		73 / 61		77 / 64		80 / 67		86 / 72		90 / 75	
			TC	PI	TC	PI	TC	PI	TC	PI	TC	PI	TC	PI
Two (2) Mixed Indoor Units	12 + 18	14	18.53	1.01	19.68	1.05	20.83	1.09	21.66	1.10	23.13	1.12	24.28	1.14
		20	18.51	1.03	19.66	1.06	20.81	1.10	21.64	1.11	23.11	1.14	24.26	1.16
		25	18.50	1.04	19.65	1.08	20.80	1.12	21.63	1.13	23.09	1.15	24.24	1.17
		30	18.49	1.05	19.63	1.09	20.78	1.13	21.61	1.15	23.08	1.17	24.23	1.19
		35	18.47	1.07	19.62	1.11	20.77	1.15	21.59	1.16	23.06	1.18	24.21	1.21
		40	18.46	1.08	19.60	1.12	20.75	1.16	21.58	1.18	23.04	1.20	24.19	1.22
		45	18.44	1.10	19.59	1.14	20.73	1.18	21.56	1.19	23.02	1.22	24.17	1.24
		50	18.43	1.11	19.57	1.15	20.72	1.20	21.54	1.21	23.01	1.23	24.15	1.26
		55	18.41	1.13	19.56	1.17	20.70	1.21	21.53	1.23	22.99	1.25	24.13	1.27
		60	18.40	1.14	19.54	1.18	20.69	1.23	21.51	1.24	22.97	1.26	24.11	1.29
		65	18.39	1.16	19.53	1.20	20.67	1.24	21.49	1.26	22.95	1.28	24.10	1.31
		70	18.37	1.17	19.51	1.21	20.65	1.26	21.48	1.27	22.94	1.30	24.08	1.32
	75	17.93	1.23	19.07	1.28	20.21	1.33	21.03	1.34	22.48	1.37	23.62	1.39	
	80	17.49	1.30	18.62	1.34	19.76	1.39	20.58	1.41	22.03	1.44	23.16	1.47	
	85	17.05	1.36	18.18	1.41	19.31	1.46	20.13	1.48	21.58	1.51	22.71	1.54	
	90	16.61	1.42	17.74	1.48	18.87	1.53	19.69	1.55	21.13	1.58	22.26	1.61	
	95	16.14	1.49	17.26	1.54	18.38	1.60	18.90	1.62	20.63	1.65	21.76	1.68	
	100	15.74	1.55	16.87	1.61	17.99	1.67	18.66	1.68	20.24	1.72	21.36	1.75	
	105	15.35	1.61	16.47	1.67	17.60	1.73	18.41	1.75	19.85	1.79	20.97	1.82	
	110	14.96	1.68	16.08	1.74	17.21	1.80	18.02	1.82	19.45	1.86	20.58	1.89	
	115	14.56	1.74	15.69	1.80	16.81	1.87	17.62	1.89	19.06	1.93	20.18	1.96	
	118	14.33	1.78	15.45	1.84	16.58	1.91	17.39	1.93	18.83	1.97	19.95	2.01	
	122	14.25	1.83	15.37	1.89	16.50	1.96	17.31	1.99	18.75	2.02	19.87	2.06	
	15 + 18	14	18.53	1.01	19.68	1.05	20.83	1.09	21.66	1.10	23.13	1.12	24.28	1.14
		20	18.51	1.03	19.66	1.06	20.81	1.10	21.64	1.11	23.11	1.14	24.26	1.16
		25	18.50	1.04	19.65	1.08	20.80	1.12	21.63	1.13	23.09	1.15	24.24	1.17
		30	18.49	1.05	19.63	1.09	20.78	1.13	21.61	1.15	23.08	1.17	24.23	1.19
		35	18.47	1.07	19.62	1.11	20.77	1.15	21.59	1.16	23.06	1.18	24.21	1.21
		40	18.46	1.08	19.60	1.12	20.75	1.16	21.58	1.18	23.04	1.20	24.19	1.22
		45	18.44	1.10	19.59	1.14	20.73	1.18	21.56	1.19	23.02	1.22	24.17	1.24
		50	18.43	1.11	19.57	1.15	20.72	1.20	21.54	1.21	23.01	1.23	24.15	1.26
		55	18.41	1.13	19.56	1.17	20.70	1.21	21.53	1.23	22.99	1.25	24.13	1.27
		60	18.40	1.14	19.54	1.18	20.69	1.23	21.51	1.24	22.97	1.26	24.11	1.29
		65	18.39	1.16	19.53	1.20	20.67	1.24	21.49	1.26	22.95	1.28	24.10	1.31
		70	18.37	1.17	19.51	1.21	20.65	1.26	21.48	1.27	22.94	1.30	24.08	1.32
	75	17.93	1.23	19.07	1.28	20.21	1.33	21.03	1.34	22.48	1.37	23.62	1.39	
	80	17.49	1.30	18.62	1.34	19.76	1.39	20.58	1.41	22.03	1.44	23.16	1.47	
	85	17.05	1.36	18.18	1.41	19.31	1.46	20.13	1.48	21.58	1.51	22.71	1.54	
	90	16.61	1.42	17.74	1.48	18.87	1.53	19.69	1.55	21.13	1.58	22.26	1.61	
	95	16.14	1.49	17.26	1.54	18.38	1.60	18.90	1.62	20.63	1.65	21.76	1.68	
	100	15.74	1.55	16.87	1.61	17.99	1.67	18.66	1.68	20.24	1.72	21.36	1.75	
	105	15.35	1.61	16.47	1.67	17.60	1.73	18.41	1.75	19.85	1.79	20.97	1.82	
110	14.96	1.68	16.08	1.74	17.21	1.80	18.02	1.82	19.45	1.86	20.58	1.89		
115	14.56	1.74	15.69	1.80	16.81	1.87	17.62	1.89	19.06	1.93	20.18	1.96		
118	14.33	1.78	15.45	1.84	16.58	1.91	17.39	1.93	18.83	1.97	19.95	2.01		
122	14.25	1.83	15.37	1.89	16.50	1.96	17.31	1.99	18.75	2.02	19.87	2.06		

TC = Total Capacity (kBtu/h).

PI = Power Input (kW).

Nominal capacity as rated: 0 ft. above sea level with 25 ft. of refrigerant piping.
0 ft. level difference between outdoor and indoor units.

Nominal cooling capacity rating obtained with air entering the indoor unit at 80°F dry bulb (DB) and 67°F wet bulb (WB), and outdoor ambient conditions of 95°F dry bulb (DB) and 75°F wet bulb (WB).

The shaded table rows indicate reference data. When operating at this temperature, these values can be different if the system is not running consistently.

PERFORMANCE DATA

Cooling Capacity Tables

MULTI F
MULTI F MAX

Table 65: LMU24CHV Cooling Capacity Table — Mixed Indoor Units.

Connected Indoor Units	Combination Capacity Index	Outdoor Air Temp. (°F DB)	Indoor Air Temp. °F DB / °F WB											
			68 / 57		73 / 61		77 / 64		80 / 67		86 / 72		90 / 75	
			TC	PI	TC	PI	TC	PI	TC	PI	TC	PI	TC	PI
Two (2) Mixed Indoor Units	9 + 24*	14	18.53	1.01	19.68	1.05	20.83	1.09	21.66	1.10	23.13	1.12	24.28	1.14
		20	18.51	1.03	19.66	1.06	20.81	1.10	21.64	1.11	23.11	1.14	24.26	1.16
		25	18.50	1.04	19.65	1.08	20.80	1.12	21.63	1.13	23.09	1.15	24.24	1.17
		30	18.49	1.05	19.63	1.09	20.78	1.13	21.61	1.15	23.08	1.17	24.23	1.19
		35	18.47	1.07	19.62	1.11	20.77	1.15	21.59	1.16	23.06	1.18	24.21	1.21
		40	18.46	1.08	19.60	1.12	20.75	1.16	21.58	1.18	23.04	1.20	24.19	1.22
		45	18.44	1.10	19.59	1.14	20.73	1.18	21.56	1.19	23.02	1.22	24.17	1.24
		50	18.43	1.11	19.57	1.15	20.72	1.20	21.54	1.21	23.01	1.23	24.15	1.26
		55	18.41	1.13	19.56	1.17	20.70	1.21	21.53	1.23	22.99	1.25	24.13	1.27
		60	18.40	1.14	19.54	1.18	20.69	1.23	21.51	1.24	22.97	1.26	24.11	1.29
		65	18.39	1.16	19.53	1.20	20.67	1.24	21.49	1.26	22.95	1.28	24.10	1.31
		70	18.37	1.17	19.51	1.21	20.65	1.26	21.48	1.27	22.94	1.30	24.08	1.32
		75	17.93	1.23	19.07	1.28	20.21	1.33	21.03	1.34	22.48	1.37	23.62	1.39
		80	17.49	1.30	18.62	1.34	19.76	1.39	20.58	1.41	22.03	1.44	23.16	1.47
		85	17.05	1.36	18.18	1.41	19.31	1.46	20.13	1.48	21.58	1.51	22.71	1.54
		90	16.61	1.42	17.74	1.48	18.87	1.53	19.69	1.55	21.13	1.58	22.26	1.61
		95	16.14	1.49	17.26	1.54	18.38	1.60	18.90	1.62	20.63	1.65	21.76	1.68
		100	15.74	1.55	16.87	1.61	17.99	1.67	18.66	1.68	20.24	1.72	21.36	1.75
		105	15.35	1.61	16.47	1.67	17.60	1.73	18.41	1.75	19.85	1.79	20.97	1.82
		110	14.96	1.68	16.08	1.74	17.21	1.80	18.02	1.82	19.45	1.86	20.58	1.89
115	14.56	1.74	15.69	1.80	16.81	1.87	17.62	1.89	19.06	1.93	20.18	1.96		
118	14.33	1.78	15.45	1.84	16.58	1.91	17.39	1.93	18.83	1.97	19.95	2.01		
122	14.25	1.83	15.37	1.89	16.50	1.96	17.31	1.99	18.75	2.02	19.87	2.06		
Three (3) Mixed Indoor Units	7 + 7 + 9	14	18.53	0.95	19.68	0.98	20.83	1.02	21.66	1.03	23.13	1.05	24.28	1.07
		20	18.51	0.96	19.66	1.00	20.81	1.03	21.64	1.04	23.11	1.06	24.26	1.09
		25	18.50	0.98	19.65	1.01	20.80	1.05	21.63	1.06	23.09	1.08	24.24	1.10
		30	18.49	0.99	19.63	1.02	20.78	1.06	21.61	1.07	23.08	1.09	24.23	1.12
		35	18.47	1.00	19.62	1.04	20.77	1.08	21.59	1.09	23.06	1.11	24.21	1.13
		40	18.46	1.02	19.60	1.05	20.75	1.09	21.58	1.10	23.04	1.12	24.19	1.15
		45	18.44	1.03	19.59	1.07	20.73	1.11	21.56	1.12	23.02	1.14	24.17	1.16
		50	18.43	1.04	19.57	1.08	20.72	1.12	21.54	1.13	23.01	1.15	24.15	1.18
		55	18.41	1.06	19.56	1.10	20.70	1.14	21.53	1.15	22.99	1.17	24.13	1.19
		60	18.40	1.07	19.54	1.11	20.69	1.15	21.51	1.16	22.97	1.18	24.11	1.21
		65	18.39	1.08	19.53	1.12	20.67	1.16	21.49	1.18	22.95	1.20	24.10	1.22
		70	18.37	1.10	19.51	1.14	20.65	1.18	21.48	1.19	22.94	1.22	24.08	1.24
		75	17.93	1.16	19.07	1.20	20.21	1.24	21.03	1.26	22.48	1.28	23.62	1.31
		80	17.49	1.22	18.62	1.26	19.76	1.31	20.58	1.32	22.03	1.35	23.16	1.37
		85	17.05	1.28	18.18	1.32	19.31	1.37	20.13	1.39	21.58	1.41	22.71	1.44
		90	16.61	1.33	17.74	1.38	18.87	1.43	19.69	1.45	21.13	1.48	22.26	1.51
		95	16.14	1.39	17.26	1.44	18.38	1.50	18.90	1.51	20.63	1.54	21.76	1.57
		100	15.74	1.45	16.87	1.51	17.99	1.56	18.66	1.58	20.24	1.61	21.36	1.64
		105	15.35	1.51	16.47	1.57	17.60	1.62	18.41	1.64	19.85	1.67	20.97	1.71
		110	14.96	1.57	16.08	1.63	17.21	1.69	18.02	1.71	19.45	1.74	20.58	1.77
115	14.56	1.63	15.69	1.69	16.81	1.75	17.62	1.77	19.06	1.81	20.18	1.84		
118	14.33	1.67	15.45	1.73	16.58	1.79	17.39	1.81	18.83	1.84	19.95	1.88		
122	14.25	1.71	15.37	1.78	16.50	1.84	17.31	1.86	18.75	1.90	19.87	1.94		

TC = Total Capacity (kBtu/h).

PI = Power Input (kW).

Nominal capacity as rated: 0 ft. above sea level with 25 ft. of refrigerant piping.
0 ft. level difference between outdoor and indoor units.

Nominal cooling capacity rating obtained with air entering the indoor unit at 80°F dry bulb (DB) and 67°F wet bulb (WB), and outdoor ambient conditions of 95°F dry bulb (DB) and 75°F wet bulb (WB).

The shaded table rows indicate reference data. When operating at this temperature, these values can be different if the system is not running consistently.

*The indoor unit must be non-ducted type.

Multi F and Multi F MAX Heat Pump System Engineering Manual

Table 66: LMU24CHV Cooling Capacity Table — Mixed Indoor Units.

Connected Indoor Units	Combination Capacity Index	Outdoor Air Temp. (°F DB)	Indoor Air Temp. °F DB / °F WB											
			68 / 57		73 / 61		77 / 64		80 / 67		86 / 72		90 / 75	
			TC	PI	TC	PI	TC	PI	TC	PI	TC	PI	TC	PI
Three (3) Mixed Indoor Units	7 + 9 + 9	14	18.53	0.95	19.68	0.98	20.83	1.02	21.66	1.03	23.13	1.05	24.28	1.07
		20	18.51	0.96	19.66	1.00	20.81	1.03	21.64	1.04	23.11	1.06	24.26	1.09
		25	18.50	0.98	19.65	1.01	20.80	1.05	21.63	1.06	23.09	1.08	24.24	1.10
		30	18.49	0.99	19.63	1.02	20.78	1.06	21.61	1.07	23.08	1.09	24.23	1.12
		35	18.47	1.00	19.62	1.04	20.77	1.08	21.59	1.09	23.06	1.11	24.21	1.13
		40	18.46	1.02	19.60	1.05	20.75	1.09	21.58	1.10	23.04	1.12	24.19	1.15
		45	18.44	1.03	19.59	1.07	20.73	1.11	21.56	1.12	23.02	1.14	24.17	1.16
		50	18.43	1.04	19.57	1.08	20.72	1.12	21.54	1.13	23.01	1.15	24.15	1.18
		55	18.41	1.06	19.56	1.10	20.70	1.14	21.53	1.15	22.99	1.17	24.13	1.19
		60	18.40	1.07	19.54	1.11	20.69	1.15	21.51	1.16	22.97	1.18	24.11	1.21
		65	18.39	1.08	19.53	1.12	20.67	1.16	21.49	1.18	22.95	1.20	24.10	1.22
		70	18.37	1.10	19.51	1.14	20.65	1.18	21.48	1.19	22.94	1.22	24.08	1.24
		75	17.93	1.16	19.07	1.20	20.21	1.24	21.03	1.26	22.48	1.28	23.62	1.31
		80	17.49	1.22	18.62	1.26	19.76	1.31	20.58	1.32	22.03	1.35	23.16	1.37
		85	17.05	1.28	18.18	1.32	19.31	1.37	20.13	1.39	21.58	1.41	22.71	1.44
		90	16.61	1.33	17.74	1.38	18.87	1.43	19.69	1.45	21.13	1.48	22.26	1.51
		95	16.14	1.39	17.26	1.44	18.38	1.50	18.90	1.51	20.63	1.54	21.76	1.57
		100	15.74	1.45	16.87	1.51	17.99	1.56	18.66	1.58	20.24	1.61	21.36	1.64
	105	15.35	1.51	16.47	1.57	17.60	1.62	18.41	1.64	19.85	1.67	20.97	1.71	
	110	14.96	1.57	16.08	1.63	17.21	1.69	18.02	1.71	19.45	1.74	20.58	1.77	
	115	14.56	1.63	15.69	1.69	16.81	1.75	17.62	1.77	19.06	1.81	20.18	1.84	
	118	14.33	1.67	15.45	1.73	16.58	1.79	17.39	1.81	18.83	1.84	19.95	1.88	
	122	14.25	1.71	15.37	1.78	16.50	1.84	17.31	1.86	18.75	1.90	19.87	1.94	
	7 + 7 + 12	14	18.53	0.95	19.68	0.98	20.83	1.02	21.66	1.03	23.13	1.05	24.28	1.07
		20	18.51	0.96	19.66	1.00	20.81	1.03	21.64	1.04	23.11	1.06	24.26	1.09
		25	18.50	0.98	19.65	1.01	20.80	1.05	21.63	1.06	23.09	1.08	24.24	1.10
		30	18.49	0.99	19.63	1.02	20.78	1.06	21.61	1.07	23.08	1.09	24.23	1.12
		35	18.47	1.00	19.62	1.04	20.77	1.08	21.59	1.09	23.06	1.11	24.21	1.13
		40	18.46	1.02	19.60	1.05	20.75	1.09	21.58	1.10	23.04	1.12	24.19	1.15
		45	18.44	1.03	19.59	1.07	20.73	1.11	21.56	1.12	23.02	1.14	24.17	1.16
		50	18.43	1.04	19.57	1.08	20.72	1.12	21.54	1.13	23.01	1.15	24.15	1.18
		55	18.41	1.06	19.56	1.10	20.70	1.14	21.53	1.15	22.99	1.17	24.13	1.19
		60	18.40	1.07	19.54	1.11	20.69	1.15	21.51	1.16	22.97	1.18	24.11	1.21
		65	18.39	1.08	19.53	1.12	20.67	1.16	21.49	1.18	22.95	1.20	24.10	1.22
		70	18.37	1.10	19.51	1.14	20.65	1.18	21.48	1.19	22.94	1.22	24.08	1.24
		75	17.93	1.16	19.07	1.20	20.21	1.24	21.03	1.26	22.48	1.28	23.62	1.31
		80	17.49	1.22	18.62	1.26	19.76	1.31	20.58	1.32	22.03	1.35	23.16	1.37
	85	17.05	1.28	18.18	1.32	19.31	1.37	20.13	1.39	21.58	1.41	22.71	1.44	
	90	16.61	1.33	17.74	1.38	18.87	1.43	19.69	1.45	21.13	1.48	22.26	1.51	
	95	16.14	1.39	17.26	1.44	18.38	1.50	18.90	1.51	20.63	1.54	21.76	1.57	
	100	15.74	1.45	16.87	1.51	17.99	1.56	18.66	1.58	20.24	1.61	21.36	1.64	
	105	15.35	1.51	16.47	1.57	17.60	1.62	18.41	1.64	19.85	1.67	20.97	1.71	
110	14.96	1.57	16.08	1.63	17.21	1.69	18.02	1.71	19.45	1.74	20.58	1.77		
115	14.56	1.63	15.69	1.69	16.81	1.75	17.62	1.77	19.06	1.81	20.18	1.84		
118	14.33	1.67	15.45	1.73	16.58	1.79	17.39	1.81	18.83	1.84	19.95	1.88		
122	14.25	1.71	15.37	1.78	16.50	1.84	17.31	1.86	18.75	1.90	19.87	1.94		

TC = Total Capacity (kBtu/h).

PI = Power Input (kW).

Nominal capacity as rated: 0 ft. above sea level with 25 ft. of refrigerant piping.
0 ft. level difference between outdoor and indoor units.

Nominal cooling capacity rating obtained with air entering the indoor unit at 80°F dry bulb (DB) and 67°F wet bulb (WB), and outdoor ambient conditions of 95°F dry bulb (DB) and 75°F wet bulb (WB).

The shaded table rows indicate reference data. When operating at this temperature, these values can be different if the system is not running consistently.

PERFORMANCE DATA

Cooling Capacity Tables

MULTI F
MULTI F MAX

Table 67: LMU24CHV Cooling Capacity Table — Mixed Indoor Units.

Connected Indoor Units	Combination Capacity Index	Outdoor Air Temp. (°F DB)	Indoor Air Temp. °F DB / °F WB											
			68 / 57		73 / 61		77 / 64		80 / 67		86 / 72		90 / 75	
			TC	PI	TC	PI	TC	PI	TC	PI	TC	PI	TC	PI
Three (3) Mixed Indoor Units	9 + 9 + 9	14	18.53	0.95	19.68	0.98	20.83	1.02	21.66	1.03	23.13	1.05	24.28	1.07
		20	18.51	0.96	19.66	1.00	20.81	1.03	21.64	1.04	23.11	1.06	24.26	1.09
		25	18.50	0.98	19.65	1.01	20.80	1.05	21.63	1.06	23.09	1.08	24.24	1.10
		30	18.49	0.99	19.63	1.02	20.78	1.06	21.61	1.07	23.08	1.09	24.23	1.12
		35	18.47	1.00	19.62	1.04	20.77	1.08	21.59	1.09	23.06	1.11	24.21	1.13
		40	18.46	1.02	19.60	1.05	20.75	1.09	21.58	1.10	23.04	1.12	24.19	1.15
		45	18.44	1.03	19.59	1.07	20.73	1.11	21.56	1.12	23.02	1.14	24.17	1.16
		50	18.43	1.04	19.57	1.08	20.72	1.12	21.54	1.13	23.01	1.15	24.15	1.18
		55	18.41	1.06	19.56	1.10	20.70	1.14	21.53	1.15	22.99	1.17	24.13	1.19
		60	18.40	1.07	19.54	1.11	20.69	1.15	21.51	1.16	22.97	1.18	24.11	1.21
		65	18.39	1.08	19.53	1.12	20.67	1.16	21.49	1.18	22.95	1.20	24.10	1.22
		70	18.37	1.10	19.51	1.14	20.65	1.18	21.48	1.19	22.94	1.22	24.08	1.24
		75	17.93	1.16	19.07	1.20	20.21	1.24	21.03	1.26	22.48	1.28	23.62	1.31
		80	17.49	1.22	18.62	1.26	19.76	1.31	20.58	1.32	22.03	1.35	23.16	1.37
		85	17.05	1.28	18.18	1.32	19.31	1.37	20.13	1.39	21.58	1.41	22.71	1.44
		90	16.61	1.33	17.74	1.38	18.87	1.43	19.69	1.45	21.13	1.48	22.26	1.51
		95	16.14	1.39	17.26	1.44	18.38	1.50	18.90	1.51	20.63	1.54	21.76	1.57
		100	15.74	1.45	16.87	1.51	17.99	1.56	18.66	1.58	20.24	1.61	21.36	1.64
	105	15.35	1.51	16.47	1.57	17.60	1.62	18.41	1.64	19.85	1.67	20.97	1.71	
	110	14.96	1.57	16.08	1.63	17.21	1.69	18.02	1.71	19.45	1.74	20.58	1.77	
	115	14.56	1.63	15.69	1.69	16.81	1.75	17.62	1.77	19.06	1.81	20.18	1.84	
	118	14.33	1.67	15.45	1.73	16.58	1.79	17.39	1.81	18.83	1.84	19.95	1.88	
	122	14.25	1.71	15.37	1.78	16.50	1.84	17.31	1.86	18.75	1.90	19.87	1.94	
	7 + 9 + 12	14	18.53	0.95	19.68	0.98	20.83	1.02	21.66	1.03	23.13	1.05	24.28	1.07
		20	18.51	0.96	19.66	1.00	20.81	1.03	21.64	1.04	23.11	1.06	24.26	1.09
		25	18.50	0.98	19.65	1.01	20.80	1.05	21.63	1.06	23.09	1.08	24.24	1.10
		30	18.49	0.99	19.63	1.02	20.78	1.06	21.61	1.07	23.08	1.09	24.23	1.12
		35	18.47	1.00	19.62	1.04	20.77	1.08	21.59	1.09	23.06	1.11	24.21	1.13
		40	18.46	1.02	19.60	1.05	20.75	1.09	21.58	1.10	23.04	1.12	24.19	1.15
		45	18.44	1.03	19.59	1.07	20.73	1.11	21.56	1.12	23.02	1.14	24.17	1.16
		50	18.43	1.04	19.57	1.08	20.72	1.12	21.54	1.13	23.01	1.15	24.15	1.18
		55	18.41	1.06	19.56	1.10	20.70	1.14	21.53	1.15	22.99	1.17	24.13	1.19
		60	18.40	1.07	19.54	1.11	20.69	1.15	21.51	1.16	22.97	1.18	24.11	1.21
		65	18.39	1.08	19.53	1.12	20.67	1.16	21.49	1.18	22.95	1.20	24.10	1.22
		70	18.37	1.10	19.51	1.14	20.65	1.18	21.48	1.19	22.94	1.22	24.08	1.24
		75	17.93	1.16	19.07	1.20	20.21	1.24	21.03	1.26	22.48	1.28	23.62	1.31
		80	17.49	1.22	18.62	1.26	19.76	1.31	20.58	1.32	22.03	1.35	23.16	1.37
	85	17.05	1.28	18.18	1.32	19.31	1.37	20.13	1.39	21.58	1.41	22.71	1.44	
	90	16.61	1.33	17.74	1.38	18.87	1.43	19.69	1.45	21.13	1.48	22.26	1.51	
	95	16.14	1.39	17.26	1.44	18.38	1.50	18.90	1.51	20.63	1.54	21.76	1.57	
	100	15.74	1.45	16.87	1.51	17.99	1.56	18.66	1.58	20.24	1.61	21.36	1.64	
	105	15.35	1.51	16.47	1.57	17.60	1.62	18.41	1.64	19.85	1.67	20.97	1.71	
110	14.96	1.57	16.08	1.63	17.21	1.69	18.02	1.71	19.45	1.74	20.58	1.77		
115	14.56	1.63	15.69	1.69	16.81	1.75	17.62	1.77	19.06	1.81	20.18	1.84		
118	14.33	1.67	15.45	1.73	16.58	1.79	17.39	1.81	18.83	1.84	19.95	1.88		
122	14.25	1.71	15.37	1.78	16.50	1.84	17.31	1.86	18.75	1.90	19.87	1.94		

TC = Total Capacity (kBtu/h).

PI = Power Input (kW).

Nominal capacity as rated: 0 ft. above sea level with 25 ft. of refrigerant piping.
0 ft. level difference between outdoor and indoor units.

Nominal cooling capacity rating obtained with air entering the indoor unit at 80°F dry bulb (DB) and 67°F wet bulb (WB), and outdoor ambient conditions of 95°F dry bulb (DB) and 75°F wet bulb (WB).

The shaded table rows indicate reference data. When operating at this temperature, these values can be different if the system is not running consistently.

Multi F and Multi F MAX Heat Pump System Engineering Manual

Table 68: LMU24CHV Cooling Capacity Table — Mixed Indoor Units.

Connected Indoor Units	Combination Capacity Index	Outdoor Air Temp. (°F DB)	Indoor Air Temp. °F DB / °F WB											
			68 / 57		73 / 61		77 / 64		80 / 67		86 / 72		90 / 75	
			TC	PI	TC	PI	TC	PI	TC	PI	TC	PI	TC	PI
Three (3) Mixed Indoor Units	9 + 9 + 12	14	18.53	0.95	19.68	0.98	20.83	1.02	21.66	1.03	23.13	1.05	24.28	1.07
		20	18.51	0.96	19.66	1.00	20.81	1.03	21.64	1.04	23.11	1.06	24.26	1.09
		25	18.50	0.98	19.65	1.01	20.80	1.05	21.63	1.06	23.09	1.08	24.24	1.10
		30	18.49	0.99	19.63	1.02	20.78	1.06	21.61	1.07	23.08	1.09	24.23	1.12
		35	18.47	1.00	19.62	1.04	20.77	1.08	21.59	1.09	23.06	1.11	24.21	1.13
		40	18.46	1.02	19.60	1.05	20.75	1.09	21.58	1.10	23.04	1.12	24.19	1.15
		45	18.44	1.03	19.59	1.07	20.73	1.11	21.56	1.12	23.02	1.14	24.17	1.16
		50	18.43	1.04	19.57	1.08	20.72	1.12	21.54	1.13	23.01	1.15	24.15	1.18
		55	18.41	1.06	19.56	1.10	20.70	1.14	21.53	1.15	22.99	1.17	24.13	1.19
		60	18.40	1.07	19.54	1.11	20.69	1.15	21.51	1.16	22.97	1.18	24.11	1.21
		65	18.39	1.08	19.53	1.12	20.67	1.16	21.49	1.18	22.95	1.20	24.10	1.22
		70	18.37	1.10	19.51	1.14	20.65	1.18	21.48	1.19	22.94	1.22	24.08	1.24
		75	17.93	1.16	19.07	1.20	20.21	1.24	21.03	1.26	22.48	1.28	23.62	1.31
		80	17.49	1.22	18.62	1.26	19.76	1.31	20.58	1.32	22.03	1.35	23.16	1.37
		85	17.05	1.28	18.18	1.32	19.31	1.37	20.13	1.39	21.58	1.41	22.71	1.44
		90	16.61	1.33	17.74	1.38	18.87	1.43	19.69	1.45	21.13	1.48	22.26	1.51
		95	16.14	1.39	17.26	1.44	18.38	1.50	18.90	1.51	20.63	1.54	21.76	1.57
		100	15.74	1.45	16.87	1.51	17.99	1.56	18.66	1.58	20.24	1.61	21.36	1.64
		105	15.35	1.51	16.47	1.57	17.60	1.62	18.41	1.64	19.85	1.67	20.97	1.71
		110	14.96	1.57	16.08	1.63	17.21	1.69	18.02	1.71	19.45	1.74	20.58	1.77
		115	14.56	1.63	15.69	1.69	16.81	1.75	17.62	1.77	19.06	1.81	20.18	1.84
	118	14.33	1.67	15.45	1.73	16.58	1.79	17.39	1.81	18.83	1.84	19.95	1.88	
	122	14.25	1.71	15.37	1.78	16.50	1.84	17.31	1.86	18.75	1.90	19.87	1.94	
	7 + 9 + 15	14	18.53	0.95	19.68	0.98	20.83	1.02	21.66	1.03	23.13	1.05	24.28	1.07
		20	18.51	0.96	19.66	1.00	20.81	1.03	21.64	1.04	23.11	1.06	24.26	1.09
		25	18.50	0.98	19.65	1.01	20.80	1.05	21.63	1.06	23.09	1.08	24.24	1.10
		30	18.49	0.99	19.63	1.02	20.78	1.06	21.61	1.07	23.08	1.09	24.23	1.12
		35	18.47	1.00	19.62	1.04	20.77	1.08	21.59	1.09	23.06	1.11	24.21	1.13
		40	18.46	1.02	19.60	1.05	20.75	1.09	21.58	1.10	23.04	1.12	24.19	1.15
		45	18.44	1.03	19.59	1.07	20.73	1.11	21.56	1.12	23.02	1.14	24.17	1.16
		50	18.43	1.04	19.57	1.08	20.72	1.12	21.54	1.13	23.01	1.15	24.15	1.18
		55	18.41	1.06	19.56	1.10	20.70	1.14	21.53	1.15	22.99	1.17	24.13	1.19
		60	18.40	1.07	19.54	1.11	20.69	1.15	21.51	1.16	22.97	1.18	24.11	1.21
		65	18.39	1.08	19.53	1.12	20.67	1.16	21.49	1.18	22.95	1.20	24.10	1.22
		70	18.37	1.10	19.51	1.14	20.65	1.18	21.48	1.19	22.94	1.22	24.08	1.24
		75	17.93	1.16	19.07	1.20	20.21	1.24	21.03	1.26	22.48	1.28	23.62	1.31
		80	17.49	1.22	18.62	1.26	19.76	1.31	20.58	1.32	22.03	1.35	23.16	1.37
		85	17.05	1.28	18.18	1.32	19.31	1.37	20.13	1.39	21.58	1.41	22.71	1.44
		90	16.61	1.33	17.74	1.38	18.87	1.43	19.69	1.45	21.13	1.48	22.26	1.51
		95	16.14	1.39	17.26	1.44	18.38	1.50	18.90	1.51	20.63	1.54	21.76	1.57
		100	15.74	1.45	16.87	1.51	17.99	1.56	18.66	1.58	20.24	1.61	21.36	1.64
		105	15.35	1.51	16.47	1.57	17.60	1.62	18.41	1.64	19.85	1.67	20.97	1.71
110		14.96	1.57	16.08	1.63	17.21	1.69	18.02	1.71	19.45	1.74	20.58	1.77	
115		14.56	1.63	15.69	1.69	16.81	1.75	17.62	1.77	19.06	1.81	20.18	1.84	
118	14.33	1.67	15.45	1.73	16.58	1.79	17.39	1.81	18.83	1.84	19.95	1.88		
122	14.25	1.71	15.37	1.78	16.50	1.84	17.31	1.86	18.75	1.90	19.87	1.94		

TC = Total Capacity (kBtu/h).

PI = Power Input (kW).

Nominal capacity as rated: 0 ft. above sea level with 25 ft. of refrigerant piping.
0 ft. level difference between outdoor and indoor units.

Nominal cooling capacity rating obtained with air entering the indoor unit at 80°F dry bulb (DB) and 67°F wet bulb (WB), and outdoor ambient conditions of 95°F dry bulb (DB) and 75°F wet bulb (WB).

The shaded table rows indicate reference data. When operating at this temperature, these values can be different if the system is not running consistently.

PERFORMANCE DATA

Cooling Capacity Tables

MULTI F
MULTI F MAX

Table 69: LMU24CHV Cooling Capacity Table — Mixed Indoor Units.

Connected Indoor Units	Combination Capacity Index	Outdoor Air Temp. (°F DB)	Indoor Air Temp. °F DB / °F WB											
			68 / 57		73 / 61		77 / 64		80 / 67		86 / 72		90 / 75	
			TC	PI	TC	PI	TC	PI	TC	PI	TC	PI	TC	PI
Three (3) Mixed Indoor Units	7 + 12 + 12	14	18.53	0.95	19.68	0.98	20.83	1.02	21.66	1.03	23.13	1.05	24.28	1.07
		20	18.51	0.96	19.66	1.00	20.81	1.03	21.64	1.04	23.11	1.06	24.26	1.09
		25	18.50	0.98	19.65	1.01	20.80	1.05	21.63	1.06	23.09	1.08	24.24	1.10
		30	18.49	0.99	19.63	1.02	20.78	1.06	21.61	1.07	23.08	1.09	24.23	1.12
		35	18.47	1.00	19.62	1.04	20.77	1.08	21.59	1.09	23.06	1.11	24.21	1.13
		40	18.46	1.02	19.60	1.05	20.75	1.09	21.58	1.10	23.04	1.12	24.19	1.15
		45	18.44	1.03	19.59	1.07	20.73	1.11	21.56	1.12	23.02	1.14	24.17	1.16
		50	18.43	1.04	19.57	1.08	20.72	1.12	21.54	1.13	23.01	1.15	24.15	1.18
		55	18.41	1.06	19.56	1.10	20.70	1.14	21.53	1.15	22.99	1.17	24.13	1.19
		60	18.40	1.07	19.54	1.11	20.69	1.15	21.51	1.16	22.97	1.18	24.11	1.21
		65	18.39	1.08	19.53	1.12	20.67	1.16	21.49	1.18	22.95	1.20	24.10	1.22
		70	18.37	1.10	19.51	1.14	20.65	1.18	21.48	1.19	22.94	1.22	24.08	1.24
		75	17.93	1.16	19.07	1.20	20.21	1.24	21.03	1.26	22.48	1.28	23.62	1.31
		80	17.49	1.22	18.62	1.26	19.76	1.31	20.58	1.32	22.03	1.35	23.16	1.37
		85	17.05	1.28	18.18	1.32	19.31	1.37	20.13	1.39	21.58	1.41	22.71	1.44
		90	16.61	1.33	17.74	1.38	18.87	1.43	19.69	1.45	21.13	1.48	22.26	1.51
		95	16.14	1.39	17.26	1.44	18.38	1.50	18.90	1.51	20.63	1.54	21.76	1.57
		100	15.74	1.45	16.87	1.51	17.99	1.56	18.66	1.58	20.24	1.61	21.36	1.64
		105	15.35	1.51	16.47	1.57	17.60	1.62	18.41	1.64	19.85	1.67	20.97	1.71
		110	14.96	1.57	16.08	1.63	17.21	1.69	18.02	1.71	19.45	1.74	20.58	1.77
		115	14.56	1.63	15.69	1.69	16.81	1.75	17.62	1.77	19.06	1.81	20.18	1.84
	118	14.33	1.67	15.45	1.73	16.58	1.79	17.39	1.81	18.83	1.84	19.95	1.88	
	122	14.25	1.71	15.37	1.78	16.50	1.84	17.31	1.86	18.75	1.90	19.87	1.94	
	7 + 7 + 18	14	18.53	0.95	19.68	0.98	20.83	1.02	21.66	1.03	23.13	1.05	24.28	1.07
		20	18.51	0.96	19.66	1.00	20.81	1.03	21.64	1.04	23.11	1.06	24.26	1.09
		25	18.50	0.98	19.65	1.01	20.80	1.05	21.63	1.06	23.09	1.08	24.24	1.10
		30	18.49	0.99	19.63	1.02	20.78	1.06	21.61	1.07	23.08	1.09	24.23	1.12
		35	18.47	1.00	19.62	1.04	20.77	1.08	21.59	1.09	23.06	1.11	24.21	1.13
		40	18.46	1.02	19.60	1.05	20.75	1.09	21.58	1.10	23.04	1.12	24.19	1.15
		45	18.44	1.03	19.59	1.07	20.73	1.11	21.56	1.12	23.02	1.14	24.17	1.16
		50	18.43	1.04	19.57	1.08	20.72	1.12	21.54	1.13	23.01	1.15	24.15	1.18
		55	18.41	1.06	19.56	1.10	20.70	1.14	21.53	1.15	22.99	1.17	24.13	1.19
		60	18.40	1.07	19.54	1.11	20.69	1.15	21.51	1.16	22.97	1.18	24.11	1.21
		65	18.39	1.08	19.53	1.12	20.67	1.16	21.49	1.18	22.95	1.20	24.10	1.22
		70	18.37	1.10	19.51	1.14	20.65	1.18	21.48	1.19	22.94	1.22	24.08	1.24
		75	17.93	1.16	19.07	1.20	20.21	1.24	21.03	1.26	22.48	1.28	23.62	1.31
		80	17.49	1.22	18.62	1.26	19.76	1.31	20.58	1.32	22.03	1.35	23.16	1.37
		85	17.05	1.28	18.18	1.32	19.31	1.37	20.13	1.39	21.58	1.41	22.71	1.44
		90	16.61	1.33	17.74	1.38	18.87	1.43	19.69	1.45	21.13	1.48	22.26	1.51
		95	16.14	1.39	17.26	1.44	18.38	1.50	18.90	1.51	20.63	1.54	21.76	1.57
		100	15.74	1.45	16.87	1.51	17.99	1.56	18.66	1.58	20.24	1.61	21.36	1.64
		105	15.35	1.51	16.47	1.57	17.60	1.62	18.41	1.64	19.85	1.67	20.97	1.71
110		14.96	1.57	16.08	1.63	17.21	1.69	18.02	1.71	19.45	1.74	20.58	1.77	
115		14.56	1.63	15.69	1.69	16.81	1.75	17.62	1.77	19.06	1.81	20.18	1.84	
118	14.33	1.67	15.45	1.73	16.58	1.79	17.39	1.81	18.83	1.84	19.95	1.88		
122	14.25	1.71	15.37	1.78	16.50	1.84	17.31	1.86	18.75	1.90	19.87	1.94		

TC = Total Capacity (kBtu/h).

PI = Power Input (kW).

Nominal capacity as rated: 0 ft. above sea level with 25 ft. of refrigerant piping.
0 ft. level difference between outdoor and indoor units.

Nominal cooling capacity rating obtained with air entering the indoor unit at 80°F dry bulb (DB) and 67°F wet bulb (WB), and outdoor ambient conditions of 95°F dry bulb (DB) and 75°F wet bulb (WB).

The shaded table rows indicate reference data. When operating at this temperature, these values can be different if the system is not running consistently.

Multi F and Multi F MAX Heat Pump System Engineering Manual

Table 70: LMU24CHV Cooling Capacity Table — Mixed Indoor Units.

Connected Indoor Units	Combination Capacity Index	Outdoor Air Temp. (°F DB)	Indoor Air Temp. °F DB / °F WB											
			68 / 57		73 / 61		77 / 64		80 / 67		86 / 72		90 / 75	
			TC	PI	TC	PI	TC	PI	TC	PI	TC	PI	TC	PI
Three (3) Mixed Indoor Units	9 + 9 + 15	14	18.53	0.95	19.68	0.98	20.83	1.02	21.66	1.03	23.13	1.05	24.28	1.07
		20	18.51	0.96	19.66	1.00	20.81	1.03	21.64	1.04	23.11	1.06	24.26	1.09
		25	18.50	0.98	19.65	1.01	20.80	1.05	21.63	1.06	23.09	1.08	24.24	1.10
		30	18.49	0.99	19.63	1.02	20.78	1.06	21.61	1.07	23.08	1.09	24.23	1.12
		35	18.47	1.00	19.62	1.04	20.77	1.08	21.59	1.09	23.06	1.11	24.21	1.13
		40	18.46	1.02	19.60	1.05	20.75	1.09	21.58	1.10	23.04	1.12	24.19	1.15
		45	18.44	1.03	19.59	1.07	20.73	1.11	21.56	1.12	23.02	1.14	24.17	1.16
		50	18.43	1.04	19.57	1.08	20.72	1.12	21.54	1.13	23.01	1.15	24.15	1.18
		55	18.41	1.06	19.56	1.10	20.70	1.14	21.53	1.15	22.99	1.17	24.13	1.19
		60	18.40	1.07	19.54	1.11	20.69	1.15	21.51	1.16	22.97	1.18	24.11	1.21
		65	18.39	1.08	19.53	1.12	20.67	1.16	21.49	1.18	22.95	1.20	24.10	1.22
		70	18.37	1.10	19.51	1.14	20.65	1.18	21.48	1.19	22.94	1.22	24.08	1.24
		75	17.93	1.16	19.07	1.20	20.21	1.24	21.03	1.26	22.48	1.28	23.62	1.31
		80	17.49	1.22	18.62	1.26	19.76	1.31	20.58	1.32	22.03	1.35	23.16	1.37
		85	17.05	1.28	18.18	1.32	19.31	1.37	20.13	1.39	21.58	1.41	22.71	1.44
		90	16.61	1.33	17.74	1.38	18.87	1.43	19.69	1.45	21.13	1.48	22.26	1.51
		95	16.14	1.39	17.26	1.44	18.38	1.50	18.90	1.51	20.63	1.54	21.76	1.57
		100	15.74	1.45	16.87	1.51	17.99	1.56	18.66	1.58	20.24	1.61	21.36	1.64
	105	15.35	1.51	16.47	1.57	17.60	1.62	18.41	1.64	19.85	1.67	20.97	1.71	
	110	14.96	1.57	16.08	1.63	17.21	1.69	18.02	1.71	19.45	1.74	20.58	1.77	
	115	14.56	1.63	15.69	1.69	16.81	1.75	17.62	1.77	19.06	1.81	20.18	1.84	
	118	14.33	1.67	15.45	1.73	16.58	1.79	17.39	1.81	18.83	1.84	19.95	1.88	
	122	14.25	1.71	15.37	1.78	16.50	1.84	17.31	1.86	18.75	1.90	19.87	1.94	
	9 + 12 + 12	14	18.53	0.95	19.68	0.98	20.83	1.02	21.66	1.03	23.13	1.05	24.28	1.07
		20	18.51	0.96	19.66	1.00	20.81	1.03	21.64	1.04	23.11	1.06	24.26	1.09
		25	18.50	0.98	19.65	1.01	20.80	1.05	21.63	1.06	23.09	1.08	24.24	1.10
		30	18.49	0.99	19.63	1.02	20.78	1.06	21.61	1.07	23.08	1.09	24.23	1.12
		35	18.47	1.00	19.62	1.04	20.77	1.08	21.59	1.09	23.06	1.11	24.21	1.13
		40	18.46	1.02	19.60	1.05	20.75	1.09	21.58	1.10	23.04	1.12	24.19	1.15
		45	18.44	1.03	19.59	1.07	20.73	1.11	21.56	1.12	23.02	1.14	24.17	1.16
		50	18.43	1.04	19.57	1.08	20.72	1.12	21.54	1.13	23.01	1.15	24.15	1.18
		55	18.41	1.06	19.56	1.10	20.70	1.14	21.53	1.15	22.99	1.17	24.13	1.19
		60	18.40	1.07	19.54	1.11	20.69	1.15	21.51	1.16	22.97	1.18	24.11	1.21
		65	18.39	1.08	19.53	1.12	20.67	1.16	21.49	1.18	22.95	1.20	24.10	1.22
		70	18.37	1.10	19.51	1.14	20.65	1.18	21.48	1.19	22.94	1.22	24.08	1.24
		75	17.93	1.16	19.07	1.20	20.21	1.24	21.03	1.26	22.48	1.28	23.62	1.31
		80	17.49	1.22	18.62	1.26	19.76	1.31	20.58	1.32	22.03	1.35	23.16	1.37
		85	17.05	1.28	18.18	1.32	19.31	1.37	20.13	1.39	21.58	1.41	22.71	1.44
		90	16.61	1.33	17.74	1.38	18.87	1.43	19.69	1.45	21.13	1.48	22.26	1.51
		95	16.14	1.39	17.26	1.44	18.38	1.50	18.90	1.51	20.63	1.54	21.76	1.57
		100	15.74	1.45	16.87	1.51	17.99	1.56	18.66	1.58	20.24	1.61	21.36	1.64
	105	15.35	1.51	16.47	1.57	17.60	1.62	18.41	1.64	19.85	1.67	20.97	1.71	
110	14.96	1.57	16.08	1.63	17.21	1.69	18.02	1.71	19.45	1.74	20.58	1.77		
115	14.56	1.63	15.69	1.69	16.81	1.75	17.62	1.77	19.06	1.81	20.18	1.84		
118	14.33	1.67	15.45	1.73	16.58	1.79	17.39	1.81	18.83	1.84	19.95	1.88		
122	14.25	1.71	15.37	1.78	16.50	1.84	17.31	1.86	18.75	1.90	19.87	1.94		

TC = Total Capacity (kBtu/h).

PI = Power Input (kW).

Nominal capacity as rated: 0 ft. above sea level with 25 ft. of refrigerant piping.
0 ft. level difference between outdoor and indoor units.

Nominal cooling capacity rating obtained with air entering the indoor unit at 80°F dry bulb (DB) and 67°F wet bulb (WB), and outdoor ambient conditions of 95°F dry bulb (DB) and 75°F wet bulb (WB).

The shaded table rows indicate reference data. When operating at this temperature, these values can be different if the system is not running consistently.

PERFORMANCE DATA

Cooling Capacity Tables

MULTI F
MULTI F MAX

Table 71: LMU36CHV Cooling Capacity Table — Non-Ducted Indoor Units.

Connected Indoor Units	Combination Capacity Index	Outdoor Air Temp. (°F DB)	Indoor Air Temp. °F DB / °F WB											
			68 / 57		73 / 61		77 / 64		80 / 67		86 / 72		90 / 75	
			TC	PI	TC	PI	TC	PI	TC	PI	TC	PI	TC	PI
Two (2) Non-Ducted Indoor Units	7 + 7	14	13.72	0.85	14.58	0.88	15.43	0.91	16.04	0.92	17.13	0.94	17.99	0.96
		20	13.71	0.86	14.57	0.89	15.42	0.93	16.03	0.94	17.12	0.96	17.97	0.97
		25	13.70	0.88	14.55	0.91	15.41	0.94	16.02	0.95	17.11	0.97	17.96	0.99
		30	13.69	0.89	14.54	0.92	15.39	0.95	16.01	0.96	17.09	0.98	17.94	1.00
		35	13.68	0.90	14.53	0.93	15.38	0.97	16.00	0.98	17.08	1.00	17.93	1.02
		40	13.67	0.91	14.52	0.95	15.37	0.98	15.98	0.99	17.07	1.01	17.92	1.03
		45	13.66	0.92	14.51	0.96	15.36	0.99	15.97	1.00	17.06	1.02	17.90	1.04
		50	13.65	0.94	14.50	0.97	15.35	1.01	15.96	1.02	17.04	1.04	17.89	1.06
		55	13.64	0.95	14.49	0.98	15.33	1.02	15.95	1.03	17.03	1.05	17.88	1.07
		60	13.63	0.96	14.48	1.00	15.32	1.03	15.93	1.04	17.02	1.06	17.86	1.09
		65	13.62	0.97	14.47	1.01	15.31	1.05	15.92	1.06	17.00	1.08	17.85	1.10
		70	13.61	0.99	14.45	1.02	15.30	1.06	15.91	1.07	16.99	1.09	17.83	1.11
	75	13.28	1.04	14.12	1.08	14.97	1.12	15.58	1.13	16.65	1.15	17.50	1.17	
	80	12.95	1.09	13.80	1.13	14.64	1.17	15.24	1.19	16.32	1.21	17.16	1.23	
	85	12.63	1.15	13.47	1.19	14.31	1.23	14.91	1.24	15.99	1.27	16.82	1.29	
	90	12.30	1.20	13.14	1.24	13.98	1.29	14.58	1.30	15.65	1.33	16.49	1.35	
	95	11.95	1.25	12.79	1.30	13.62	1.34	14.00	1.36	15.28	1.39	16.12	1.41	
	100	11.66	1.30	12.49	1.35	13.33	1.40	13.82	1.42	14.99	1.44	15.82	1.47	
	105	11.37	1.36	12.20	1.41	13.04	1.46	13.64	1.48	14.70	1.50	15.53	1.53	
	110	11.08	1.41	11.91	1.46	12.74	1.52	13.35	1.53	14.41	1.56	15.24	1.59	
	115	10.79	1.46	11.62	1.52	12.45	1.57	13.06	1.59	14.12	1.62	14.95	1.65	
	118	10.61	1.50	11.45	1.55	12.28	1.61	12.88	1.63	13.94	1.66	14.78	1.69	
	122	10.56	1.54	11.39	1.59	12.22	1.65	12.82	1.67	13.89	1.70	14.72	1.74	
	7 + 9	14	15.68	0.96	16.66	0.99	17.63	1.03	18.34	1.04	19.58	1.06	20.56	1.08
		20	15.67	0.97	16.65	1.01	17.62	1.04	18.32	1.06	19.57	1.08	20.54	1.10
		25	15.66	0.98	16.63	1.02	17.61	1.06	18.31	1.07	19.55	1.09	20.52	1.11
30		15.65	1.00	16.62	1.04	17.59	1.07	18.29	1.09	19.54	1.11	20.51	1.13	
35		15.64	1.01	16.61	1.05	17.58	1.09	18.28	1.10	19.52	1.12	20.49	1.14	
40		15.62	1.03	16.60	1.06	17.57	1.10	18.27	1.12	19.51	1.14	20.48	1.16	
45		15.61	1.04	16.58	1.08	17.55	1.12	18.25	1.13	19.49	1.15	20.46	1.17	
50		15.60	1.05	16.57	1.09	17.54	1.13	18.24	1.15	19.48	1.17	20.45	1.19	
55		15.59	1.07	16.56	1.11	17.53	1.15	18.22	1.16	19.46	1.18	20.43	1.21	
60		15.58	1.08	16.54	1.12	17.51	1.16	18.21	1.18	19.45	1.20	20.41	1.22	
65		15.57	1.10	16.53	1.14	17.50	1.18	18.20	1.19	19.43	1.21	20.40	1.24	
70		15.55	1.11	16.52	1.15	17.49	1.19	18.18	1.20	19.42	1.23	20.38	1.25	
75		15.18	1.17	16.14	1.21	17.11	1.26	17.80	1.27	19.03	1.29	20.00	1.32	
80		14.80	1.23	15.77	1.27	16.73	1.32	17.42	1.33	18.65	1.36	19.61	1.39	
85	14.43	1.29	15.39	1.34	16.35	1.38	17.04	1.40	18.27	1.43	19.23	1.45		
90	14.06	1.35	15.02	1.40	15.98	1.45	16.67	1.46	17.89	1.49	18.84	1.52		
95	13.66	1.41	14.61	1.46	15.56	1.51	16.00	1.53	17.47	1.56	18.42	1.59		
100	13.33	1.47	14.28	1.52	15.23	1.58	15.79	1.60	17.13	1.62	18.09	1.66		
105	12.99	1.53	13.95	1.58	14.90	1.64	15.59	1.66	16.80	1.69	17.75	1.73		
110	12.66	1.59	13.61	1.65	14.57	1.71	15.25	1.73	16.47	1.76	17.42	1.79		
115	12.33	1.65	13.28	1.71	14.23	1.77	14.92	1.79	16.14	1.82	17.09	1.86		
118	12.13	1.68	13.08	1.74	14.03	1.81	14.72	1.83	15.94	1.86	16.89	1.90		
122	12.06	1.73	13.02	1.79	13.97	1.86	14.65	1.88	15.87	1.92	16.82	1.95		

TC = Total Capacity (kBtu/h).

PI = Power Input (kW).

Nominal capacity as rated: 0 ft. above sea level with 25 ft. of refrigerant piping.
0 ft. level difference between outdoor and indoor units.

Nominal cooling capacity rating obtained with air entering the indoor unit at 80°F dry bulb (DB) and 67°F wet bulb (WB), and outdoor ambient conditions of 95°F dry bulb (DB) and 75°F wet bulb (WB).

The shaded table rows indicate reference data. When operating at this temperature, these values can be different if the system is not running consistently.

Table 72: LMU36CHV Cooling Capacity Table — Non-Ducted Indoor Units (continued).

Connected Indoor Units	Combination Capacity Index	Outdoor Air Temp. (°F DB)	Indoor Air Temp. °F DB / °F WB											
			68 / 57		73 / 61		77 / 64		80 / 67		86 / 72		90 / 75	
			TC	PI	TC	PI	TC	PI	TC	PI	TC	PI	TC	PI
Two (2) Non-Ducted Indoor Units	9 + 9	14	17.65	1.08	18.74	1.12	19.84	1.16	20.63	1.17	22.03	1.19	23.12	1.22
		20	17.63	1.09	18.73	1.13	19.82	1.17	20.61	1.19	22.01	1.21	23.11	1.23
		25	17.62	1.11	18.71	1.15	19.81	1.19	20.60	1.20	22.00	1.23	23.09	1.25
		30	17.60	1.12	18.70	1.16	19.79	1.21	20.58	1.22	21.98	1.24	23.07	1.27
		35	17.59	1.14	18.68	1.18	19.78	1.22	20.57	1.24	21.96	1.26	23.05	1.29
		40	17.58	1.15	18.67	1.20	19.76	1.24	20.55	1.25	21.94	1.28	23.04	1.30
		45	17.56	1.17	18.66	1.21	19.75	1.26	20.53	1.27	21.93	1.29	23.02	1.32
		50	17.55	1.18	18.64	1.23	19.73	1.27	20.52	1.29	21.91	1.31	23.00	1.34
		55	17.54	1.20	18.63	1.24	19.72	1.29	20.50	1.30	21.89	1.33	22.98	1.36
		60	17.52	1.22	18.61	1.26	19.70	1.31	20.49	1.32	21.88	1.35	22.97	1.37
		65	17.51	1.23	18.60	1.28	19.69	1.32	20.47	1.34	21.86	1.36	22.95	1.39
		70	17.50	1.25	18.58	1.29	19.67	1.34	20.46	1.35	21.84	1.38	22.93	1.41
		75	17.08	1.31	18.16	1.36	19.24	1.41	20.03	1.43	21.41	1.45	22.50	1.48
		80	16.66	1.38	17.74	1.43	18.82	1.48	19.60	1.50	20.98	1.53	22.06	1.56
		85	16.24	1.45	17.32	1.50	18.40	1.56	19.17	1.57	20.55	1.60	21.63	1.64
		90	15.82	1.52	16.90	1.57	17.97	1.63	18.75	1.65	20.12	1.68	21.20	1.71
		95	15.37	1.58	16.44	1.64	17.51	1.70	18.00	1.72	19.65	1.75	20.72	1.79
		100	14.99	1.65	16.06	1.71	17.13	1.77	17.77	1.79	19.28	1.83	20.35	1.86
		105	14.62	1.72	15.69	1.78	16.76	1.84	17.53	1.87	18.90	1.90	19.97	1.94
		110	14.24	1.78	15.32	1.85	16.39	1.92	17.16	1.94	18.53	1.98	19.60	2.02
		115	13.87	1.85	14.94	1.92	16.01	1.99	16.79	2.01	18.15	2.05	19.22	2.09
	118	13.65	1.89	14.72	1.96	15.79	2.03	16.56	2.06	17.93	2.09	19.00	2.14	
	122	13.57	1.95	14.64	2.02	15.71	2.09	16.49	2.11	17.85	2.15	18.92	2.20	
	14	18.63	1.13	19.78	1.17	20.94	1.21	21.77	1.22	23.25	1.25	24.41	1.27	
	20	18.61	1.14	19.77	1.18	20.92	1.23	21.76	1.24	23.23	1.26	24.39	1.29	
	25	18.60	1.16	19.75	1.20	20.91	1.24	21.74	1.26	23.22	1.28	24.37	1.31	
	30	18.58	1.17	19.74	1.22	20.89	1.26	21.72	1.28	23.20	1.30	24.35	1.33	
	35	18.57	1.19	19.72	1.23	20.88	1.28	21.71	1.29	23.18	1.32	24.33	1.35	
	40	18.55	1.21	19.71	1.25	20.86	1.30	21.69	1.31	23.16	1.34	24.32	1.36	
	45	18.54	1.22	19.69	1.27	20.84	1.31	21.67	1.33	23.15	1.35	24.30	1.38	
	50	18.53	1.24	19.68	1.28	20.83	1.33	21.66	1.35	23.13	1.37	24.28	1.40	
	55	18.51	1.26	19.66	1.30	20.81	1.35	21.64	1.36	23.11	1.39	24.26	1.42	
	60	18.50	1.27	19.65	1.32	20.80	1.37	21.63	1.38	23.09	1.41	24.24	1.44	
	65	18.48	1.29	19.63	1.34	20.78	1.38	21.61	1.40	23.08	1.43	24.22	1.45	
	70	18.47	1.30	19.62	1.35	20.76	1.40	21.59	1.42	23.06	1.44	24.20	1.47	
	75	18.02	1.37	19.17	1.43	20.31	1.48	21.14	1.49	22.60	1.52	23.75	1.55	
	80	17.58	1.45	18.72	1.50	19.86	1.55	20.69	1.57	22.15	1.60	23.29	1.63	
	85	17.14	1.52	18.28	1.57	19.42	1.63	20.24	1.65	21.69	1.68	22.83	1.71	
	90	16.70	1.59	17.84	1.64	18.97	1.70	19.79	1.72	21.24	1.76	22.38	1.79	
	95	16.22	1.66	17.35	1.72	18.48	1.78	19.00	1.80	20.74	1.83	21.87	1.87	
	100	15.83	1.73	16.96	1.79	18.09	1.86	18.75	1.88	20.35	1.91	21.48	1.95	
	105	15.43	1.80	16.56	1.86	17.69	1.93	18.51	1.95	19.95	1.99	21.08	2.03	
110	15.04	1.87	16.17	1.94	17.30	2.01	18.11	2.03	19.56	2.07	20.69	2.11		
115	14.64	1.94	15.77	2.01	16.90	2.08	17.72	2.11	19.16	2.15	20.29	2.19		
118	14.40	1.98	15.53	2.05	16.66	2.13	17.48	2.15	18.92	2.19	20.05	2.24		
122	14.33	2.04	15.46	2.11	16.59	2.19	17.40	2.21	18.85	2.25	19.98	2.30		

TC = Total Capacity (kBtu/h).

PI = Power Input (kW).

Nominal capacity as rated: 0 ft. above sea level with 25 ft. of refrigerant piping.
0 ft. level difference between outdoor and indoor units.

Nominal cooling capacity rating obtained with air entering the indoor unit at 80°F dry bulb (DB) and 67°F wet bulb (WB), and outdoor ambient conditions of 95°F dry bulb (DB) and 75°F wet bulb (WB).

The shaded table rows indicate reference data. When operating at this temperature, these values can be different if the system is not running consistently.

PERFORMANCE DATA

Cooling Capacity Tables

MULTI F
MULTI F MAX

Table 73: LMU36CHV Cooling Capacity Table — Non-Ducted Indoor Units (continued).

Connected Indoor Units	Combination Capacity Index	Outdoor Air Temp. (°F DB)	Indoor Air Temp. °F DB / °F WB											
			68 / 57		73 / 61		77 / 64		80 / 67		86 / 72		90 / 75	
			TC	PI	TC	PI	TC	PI	TC	PI	TC	PI	TC	PI
Two (2) Non-Ducted Indoor Units	9 + 12	14	20.59	1.23	21.86	1.28	23.14	1.32	24.07	1.34	25.70	1.36	26.98	1.39
		20	20.57	1.25	21.85	1.30	23.13	1.34	24.05	1.36	25.68	1.38	26.96	1.41
		25	20.55	1.27	21.83	1.31	23.11	1.36	24.03	1.38	25.66	1.40	26.94	1.43
		30	20.54	1.29	21.81	1.33	23.09	1.38	24.01	1.40	25.64	1.42	26.92	1.45
		35	20.52	1.30	21.80	1.35	23.07	1.40	23.99	1.42	25.62	1.44	26.90	1.47
		40	20.51	1.32	21.78	1.37	23.05	1.42	23.97	1.44	25.60	1.46	26.88	1.49
		45	20.49	1.34	21.76	1.39	23.04	1.44	23.96	1.46	25.58	1.48	26.86	1.51
		50	20.48	1.36	21.75	1.41	23.02	1.46	23.94	1.47	25.56	1.50	26.83	1.53
		55	20.46	1.37	21.73	1.42	23.00	1.48	23.92	1.49	25.54	1.52	26.81	1.55
		60	20.44	1.39	21.71	1.44	22.98	1.50	23.90	1.51	25.52	1.54	26.79	1.57
		65	20.43	1.41	21.70	1.46	22.97	1.51	23.88	1.53	25.50	1.56	26.77	1.59
		70	20.41	1.43	21.68	1.48	22.95	1.53	23.86	1.55	25.48	1.58	26.75	1.61
		75	19.92	1.50	21.19	1.56	22.45	1.62	23.36	1.64	24.98	1.67	26.25	1.70
		80	19.43	1.58	20.69	1.64	21.95	1.70	22.87	1.72	24.48	1.75	25.74	1.79
		85	18.94	1.66	20.20	1.72	21.46	1.78	22.37	1.80	23.98	1.84	25.24	1.87
		90	18.46	1.74	19.71	1.80	20.97	1.86	21.87	1.89	23.48	1.92	24.73	1.96
		95	17.93	1.81	19.18	1.88	20.43	1.95	21.00	1.97	22.93	2.01	24.17	2.05
		100	17.49	1.89	18.74	1.96	19.99	2.03	20.73	2.05	22.49	2.09	23.74	2.13
	105	17.06	1.97	18.30	2.04	19.55	2.11	20.46	2.14	22.05	2.18	23.30	2.22	
	110	16.62	2.04	17.87	2.12	19.12	2.20	20.02	2.22	21.62	2.26	22.86	2.31	
	115	16.18	2.12	17.43	2.20	18.68	2.28	19.58	2.30	21.18	2.35	22.43	2.40	
	118	15.92	2.17	17.17	2.25	18.42	2.33	19.32	2.36	20.92	2.40	22.17	2.45	
	122	15.83	2.23	17.08	2.31	18.33	2.39	19.23	2.42	20.83	2.47	22.08	2.52	
	7 + 15	14	21.57	1.28	22.91	1.32	24.25	1.37	25.21	1.39	26.92	1.41	28.26	1.44
		20	21.55	1.29	22.89	1.34	24.23	1.39	25.19	1.41	26.90	1.43	28.24	1.46
		25	21.53	1.31	22.87	1.36	24.21	1.41	25.17	1.43	26.88	1.45	28.22	1.48
		30	21.52	1.33	22.85	1.38	24.19	1.43	25.15	1.45	26.86	1.47	28.20	1.50
		35	21.50	1.35	22.84	1.40	24.17	1.45	25.14	1.47	26.84	1.49	28.18	1.52
		40	21.48	1.37	22.82	1.42	24.15	1.47	25.12	1.49	26.82	1.51	28.16	1.55
		45	21.47	1.39	22.80	1.44	24.13	1.49	25.10	1.51	26.80	1.54	28.13	1.57
		50	21.45	1.41	22.78	1.46	24.12	1.51	25.08	1.53	26.78	1.56	28.11	1.59
		55	21.43	1.42	22.77	1.48	24.10	1.53	25.06	1.55	26.76	1.58	28.09	1.61
		60	21.42	1.44	22.75	1.49	24.08	1.55	25.04	1.57	26.74	1.60	28.07	1.63
		65	21.40	1.46	22.73	1.51	24.06	1.57	25.02	1.59	26.72	1.62	28.05	1.65
		70	21.39	1.48	22.71	1.53	24.04	1.59	25.00	1.61	26.70	1.64	28.03	1.67
		75	20.87	1.56	22.20	1.62	23.52	1.67	24.48	1.69	26.17	1.73	27.50	1.76
		80	20.36	1.64	21.68	1.70	23.00	1.76	23.95	1.78	25.64	1.81	26.96	1.85
	85	19.85	1.72	21.16	1.78	22.48	1.85	23.44	1.87	25.12	1.90	26.44	1.94	
	90	19.34	1.80	20.65	1.86	21.97	1.93	22.92	1.95	24.60	1.99	25.91	2.03	
	95	18.78	1.88	20.09	1.95	21.40	2.02	22.00	2.04	24.02	2.08	25.33	2.12	
	100	18.33	1.96	19.63	2.03	20.94	2.10	21.71	2.13	23.56	2.17	24.87	2.21	
	105	17.87	2.04	19.18	2.11	20.48	2.19	21.43	2.21	23.10	2.25	24.41	2.30	
110	17.41	2.12	18.72	2.19	20.03	2.27	20.97	2.30	22.64	2.34	23.95	2.39		
115	16.95	2.20	18.26	2.28	19.57	2.36	20.52	2.39	22.19	2.43	23.50	2.48		
118	16.68	2.24	17.99	2.33	19.30	2.41	20.24	2.44	21.91	2.48	23.22	2.53		
122	16.59	2.31	17.90	2.39	19.20	2.48	20.15	2.51	21.82	2.56	23.13	2.61		

TC = Total Capacity (kBtu/h).

PI = Power Input (kW).

Nominal capacity as rated: 0 ft. above sea level with 25 ft. of refrigerant piping.
0 ft. level difference between outdoor and indoor units.

Nominal cooling capacity rating obtained with air entering the indoor unit at 80°F dry bulb (DB) and 67°F wet bulb (WB), and outdoor ambient conditions of 95°F dry bulb (DB) and 75°F wet bulb (WB).

The shaded table rows indicate reference data. When operating at this temperature, these values can be different if the system is not running consistently.

Multi F and Multi F MAX Heat Pump System Engineering Manual

Table 74: LMU36CHV Cooling Capacity Table — Non-Ducted Indoor Units (continued).

Connected Indoor Units	Combination Capacity Index	Outdoor Air Temp. (°F DB)	Indoor Air Temp. °F DB / °F WB												
			68 / 57		73 / 61		77 / 64		80 / 67		86 / 72		90 / 75		
			TC	PI	TC	PI	TC	PI	TC	PI	TC	PI	TC	PI	
Two (2) Non-Ducted Indoor Units	9 + 15	14	23.53	1.36	24.99	1.41	26.45	1.47	27.50	1.48	29.37	1.51	30.83	1.54	
		20	23.51	1.38	24.97	1.43	26.43	1.49	27.48	1.50	29.35	1.53	30.81	1.56	
		25	23.49	1.40	24.95	1.45	26.41	1.51	27.46	1.53	29.33	1.55	30.79	1.58	
		30	23.47	1.42	24.93	1.48	26.39	1.53	27.44	1.55	29.30	1.58	30.76	1.61	
		35	23.46	1.44	24.91	1.50	26.37	1.55	27.42	1.57	29.28	1.60	30.74	1.63	
		40	23.44	1.46	24.89	1.52	26.35	1.57	27.40	1.59	29.26	1.62	30.72	1.65	
		45	23.42	1.48	24.87	1.54	26.33	1.59	27.38	1.61	29.24	1.64	30.69	1.67	
		50	23.40	1.50	24.85	1.56	26.31	1.61	27.36	1.63	29.21	1.66	30.67	1.70	
		55	23.38	1.52	24.84	1.58	26.29	1.63	27.34	1.65	29.19	1.68	30.64	1.72	
		60	23.37	1.54	24.82	1.60	26.27	1.66	27.32	1.67	29.17	1.71	30.62	1.74	
		65	23.35	1.56	24.80	1.62	26.25	1.68	27.29	1.70	29.15	1.73	30.60	1.76	
		70	23.33	1.58	24.78	1.64	26.23	1.70	27.27	1.72	29.13	1.75	30.57	1.78	
		75	22.77	1.67	24.21	1.73	25.66	1.79	26.70	1.81	28.55	1.84	29.99	1.88	
		80	22.21	1.75	23.65	1.81	25.09	1.88	26.13	1.90	27.97	1.94	29.42	1.98	
		85	21.65	1.84	23.09	1.90	24.53	1.97	25.57	1.99	27.40	2.03	28.84	2.07	
		90	21.09	1.92	22.53	1.99	23.96	2.06	25.00	2.09	26.83	2.13	28.27	2.17	
		95	20.49	2.01	21.92	2.08	23.35	2.16	24.00	2.18	26.20	2.22	27.63	2.27	
		100	19.99	2.09	21.42	2.17	22.85	2.25	23.69	2.27	25.70	2.32	27.13	2.36	
	105	19.49	2.18	20.92	2.26	22.35	2.34	23.38	2.37	25.20	2.41	26.63	2.46		
	110	18.99	2.26	20.42	2.34	21.85	2.43	22.88	2.46	24.70	2.50	26.13	2.55		
	115	18.49	2.35	19.92	2.43	21.35	2.52	22.38	2.55	24.20	2.60	25.63	2.65		
	118	18.19	2.40	19.62	2.49	21.05	2.58	22.08	2.61	23.90	2.65	25.33	2.71		
	122	18.10	2.47	19.52	2.56	20.95	2.65	21.98	2.68	23.81	2.73	25.23	2.79		
	Two (2) Non-Ducted Indoor Units	12 + 12	14	23.53	1.36	24.99	1.41	26.45	1.47	27.50	1.48	29.37	1.51	30.83	1.54
			20	23.51	1.38	24.97	1.43	26.43	1.49	27.48	1.50	29.35	1.53	30.81	1.56
			25	23.49	1.40	24.95	1.45	26.41	1.51	27.46	1.53	29.33	1.55	30.79	1.58
			30	23.47	1.42	24.93	1.48	26.39	1.53	27.44	1.55	29.30	1.58	30.76	1.61
			35	23.46	1.44	24.91	1.50	26.37	1.55	27.42	1.57	29.28	1.60	30.74	1.63
			40	23.44	1.46	24.89	1.52	26.35	1.57	27.40	1.59	29.26	1.62	30.72	1.65
			45	23.42	1.48	24.87	1.54	26.33	1.59	27.38	1.61	29.24	1.64	30.69	1.67
			50	23.40	1.50	24.85	1.56	26.31	1.61	27.36	1.63	29.21	1.66	30.67	1.70
			55	23.38	1.52	24.84	1.58	26.29	1.63	27.34	1.65	29.19	1.68	30.64	1.72
			60	23.37	1.54	24.82	1.60	26.27	1.66	27.32	1.67	29.17	1.71	30.62	1.74
			65	23.35	1.56	24.80	1.62	26.25	1.68	27.29	1.70	29.15	1.73	30.60	1.76
			70	23.33	1.58	24.78	1.64	26.23	1.70	27.27	1.72	29.13	1.75	30.57	1.78
			75	22.77	1.67	24.21	1.73	25.66	1.79	26.70	1.81	28.55	1.84	29.99	1.88
80			22.21	1.75	23.65	1.81	25.09	1.88	26.13	1.90	27.97	1.94	29.42	1.98	
85			21.65	1.84	23.09	1.90	24.53	1.97	25.57	1.99	27.40	2.03	28.84	2.07	
90			21.09	1.92	22.53	1.99	23.96	2.06	25.00	2.09	26.83	2.13	28.27	2.17	
95			20.49	2.01	21.92	2.08	23.35	2.16	24.00	2.18	26.20	2.22	27.63	2.27	
100			19.99	2.09	21.42	2.17	22.85	2.25	23.69	2.27	25.70	2.32	27.13	2.36	
105	19.49	2.18	20.92	2.26	22.35	2.34	23.38	2.37	25.20	2.41	26.63	2.46			
110	18.99	2.26	20.42	2.34	21.85	2.43	22.88	2.46	24.70	2.50	26.13	2.55			
115	18.49	2.35	19.92	2.43	21.35	2.52	22.38	2.55	24.20	2.60	25.63	2.65			
118	18.19	2.40	19.62	2.49	21.05	2.58	22.08	2.61	23.90	2.65	25.33	2.71			
122	18.10	2.47	19.52	2.56	20.95	2.65	21.98	2.68	23.81	2.73	25.23	2.79			

TC = Total Capacity (kBtu/h).

PI = Power Input (kW).

Nominal capacity as rated: 0 ft. above sea level with 25 ft. of refrigerant piping.
0 ft. level difference between outdoor and indoor units.

Nominal cooling capacity rating obtained with air entering the indoor unit at 80°F dry bulb (DB) and 67°F wet bulb (WB), and outdoor ambient conditions of 95°F dry bulb (DB) and 75°F wet bulb (WB).

The shaded table rows indicate reference data. When operating at this temperature, these values can be different if the system is not running consistently.

PERFORMANCE DATA

Cooling Capacity Tables

MULTI F
MULTI F MAX

Table 75: LMU36CHV Cooling Capacity Table — Non-Ducted Indoor Units (continued).

Connected Indoor Units	Combination Capacity Index	Outdoor Air Temp. (°F DB)	Indoor Air Temp. °F DB / °F WB													
			68 / 57		73 / 61		77 / 64		80 / 67		86 / 72		90 / 75			
			TC	PI	TC	PI	TC	PI	TC	PI	TC	PI	TC	PI		
Two (2) Non-Ducted Indoor Units	7 + 18	14	24.51	1.41	26.03	1.47	27.55	1.52	28.65	1.54	30.60	1.57	32.12	1.60		
		20	24.49	1.43	26.01	1.49	27.53	1.54	28.63	1.56	30.57	1.59	32.09	1.62		
		25	24.47	1.45	25.99	1.51	27.51	1.56	28.61	1.58	30.55	1.61	32.07	1.64		
		30	24.45	1.48	25.97	1.53	27.49	1.58	28.59	1.60	30.53	1.63	32.04	1.67		
		35	24.43	1.50	25.95	1.55	27.47	1.61	28.56	1.63	30.50	1.66	32.02	1.69		
		40	24.41	1.52	25.93	1.57	27.45	1.63	28.54	1.65	30.48	1.68	32.00	1.71		
		45	24.40	1.54	25.91	1.59	27.43	1.65	28.52	1.67	30.46	1.70	31.97	1.73		
		50	24.38	1.56	25.89	1.61	27.40	1.67	28.50	1.69	30.43	1.72	31.95	1.76		
		55	24.36	1.58	25.87	1.63	27.38	1.69	28.48	1.71	30.41	1.75	31.92	1.78		
		60	24.34	1.60	25.85	1.66	27.36	1.72	28.45	1.74	30.39	1.77	31.90	1.80		
		65	24.32	1.62	25.83	1.68	27.34	1.74	28.43	1.76	30.36	1.79	31.87	1.83		
		70	24.30	1.64	25.81	1.70	27.32	1.76	28.41	1.78	30.34	1.81	31.85	1.85		
		75	23.72	1.73	25.22	1.79	26.73	1.85	27.82	1.88	29.74	1.91	31.24	1.95		
		80	23.13	1.81	24.63	1.88	26.14	1.95	27.22	1.97	29.14	2.01	30.64	2.05		
		85	22.55	1.90	24.05	1.97	25.55	2.04	26.63	2.07	28.54	2.11	30.04	2.15		
		90	21.97	1.99	23.47	2.06	24.96	2.14	26.04	2.16	27.95	2.20	29.44	2.25		
		95	21.34	2.08	22.83	2.16	24.32	2.23	25.00	2.26	27.29	2.30	28.78	2.35		
		100	20.82	2.17	22.31	2.25	23.80	2.33	24.68	2.36	26.77	2.40	28.26	2.45		
		105	20.30	2.26	21.79	2.34	23.28	2.42	24.35	2.45	26.25	2.50	27.74	2.55		
		110	19.78	2.34	21.27	2.43	22.76	2.52	23.83	2.55	25.73	2.60	27.22	2.65		
		115	19.26	2.43	20.75	2.52	22.24	2.61	23.31	2.64	25.21	2.69	26.70	2.75		
		118	18.95	2.49	20.44	2.58	21.93	2.67	23.00	2.70	24.90	2.75	26.39	2.81		
		122	18.85	2.56	20.34	2.65	21.82	2.75	22.90	2.78	24.80	2.83	26.28	2.89		
		Two (2) Non-Ducted Indoor Units	9 + 18	14	26.47	1.51	28.11	1.57	29.76	1.63	30.94	1.65	33.04	1.68	34.69	1.71
				20	26.45	1.54	28.09	1.59	29.73	1.65	30.92	1.67	33.02	1.70	34.66	1.73
				25	26.43	1.56	28.07	1.61	29.71	1.67	30.90	1.69	32.99	1.72	34.63	1.76
30	26.41			1.58	28.05	1.64	29.69	1.70	30.87	1.72	32.97	1.75	34.61	1.78		
35	26.39			1.60	28.03	1.66	29.66	1.72	30.85	1.74	32.94	1.77	34.58	1.81		
40	26.37			1.62	28.00	1.68	29.64	1.74	30.82	1.76	32.92	1.80	34.55	1.83		
45	26.35			1.64	27.98	1.71	29.62	1.77	30.80	1.79	32.89	1.82	34.53	1.86		
50	26.33			1.67	27.96	1.73	29.60	1.79	30.78	1.81	32.87	1.85	34.50	1.88		
55	26.31			1.69	27.94	1.75	29.57	1.81	30.75	1.83	32.84	1.87	34.48	1.91		
60	26.29			1.71	27.92	1.77	29.55	1.84	30.73	1.86	32.82	1.89	34.45	1.93		
65	26.27			1.73	27.90	1.80	29.53	1.86	30.71	1.88	32.79	1.92	34.42	1.96		
70	26.25			1.75	27.88	1.82	29.51	1.88	30.68	1.91	32.77	1.94	34.40	1.98		
75	25.61			1.85	27.24	1.92	28.87	1.99	30.04	2.01	32.12	2.05	33.74	2.09		
80	24.98			1.94	26.60	2.01	28.23	2.09	29.40	2.11	31.47	2.15	33.09	2.19		
85	24.36			2.04	25.97	2.11	27.59	2.19	28.76	2.21	30.83	2.26	32.45	2.30		
90	23.73			2.13	25.34	2.21	26.96	2.29	28.12	2.32	30.19	2.36	31.80	2.41		
95	23.05			2.23	24.66	2.31	26.26	2.39	27.00	2.42	29.48	2.47	31.08	2.51		
100	22.49			2.32	24.10	2.41	25.70	2.49	26.65	2.52	28.91	2.57	30.52	2.62		
105	21.93			2.42	23.53	2.50	25.14	2.60	26.30	2.63	28.35	2.67	29.96	2.73		
110	21.37			2.51	22.97	2.60	24.58	2.70	25.74	2.73	27.79	2.78	29.40	2.84		
115	20.81			2.61	22.41	2.70	24.02	2.80	25.18	2.83	27.23	2.88	28.84	2.94		
118	20.47			2.66	22.08	2.76	23.68	2.86	24.84	2.89	26.89	2.95	28.50	3.01		
122	20.36			2.74	21.96	2.84	23.57	2.94	24.73	2.98	26.78	3.03	28.39	3.09		

TC = Total Capacity (kBtu/h).

PI = Power Input (kW).

Nominal capacity as rated: 0 ft. above sea level with 25 ft. of refrigerant piping.
0 ft. level difference between outdoor and indoor units.

Nominal cooling capacity rating obtained with air entering the indoor unit at 80°F dry bulb (DB) and 67°F wet bulb (WB), and outdoor ambient conditions of 95°F dry bulb (DB) and 75°F wet bulb (WB).

The shaded table rows indicate reference data. When operating at this temperature, these values can be different if the system is not running consistently.

Table 76: LMU36CHV Cooling Capacity Table — Non-Ducted Indoor Units (continued).

Connected Indoor Units	Combination Capacity Index	Outdoor Air Temp. (°F DB)	Indoor Air Temp. °F DB / °F WB											
			68 / 57		73 / 61		77 / 64		80 / 67		86 / 72		90 / 75	
			TC	PI	TC	PI	TC	PI	TC	PI	TC	PI	TC	PI
Two (2) Non-Ducted Indoor Units	12 + 15	14	26.47	1.51	28.11	1.57	29.76	1.63	30.94	1.65	33.04	1.68	34.69	1.71
		20	26.45	1.54	28.09	1.59	29.73	1.65	30.92	1.67	33.02	1.70	34.66	1.73
		25	26.43	1.56	28.07	1.61	29.71	1.67	30.90	1.69	32.99	1.72	34.63	1.76
		30	26.41	1.58	28.05	1.64	29.69	1.70	30.87	1.72	32.97	1.75	34.61	1.78
		35	26.39	1.60	28.03	1.66	29.66	1.72	30.85	1.74	32.94	1.77	34.58	1.81
		40	26.37	1.62	28.00	1.68	29.64	1.74	30.82	1.76	32.92	1.80	34.55	1.83
		45	26.35	1.64	27.98	1.71	29.62	1.77	30.80	1.79	32.89	1.82	34.53	1.86
		50	26.33	1.67	27.96	1.73	29.60	1.79	30.78	1.81	32.87	1.85	34.50	1.88
		55	26.31	1.69	27.94	1.75	29.57	1.81	30.75	1.83	32.84	1.87	34.48	1.91
		60	26.29	1.71	27.92	1.77	29.55	1.84	30.73	1.86	32.82	1.89	34.45	1.93
		65	26.27	1.73	27.90	1.80	29.53	1.86	30.71	1.88	32.79	1.92	34.42	1.96
		70	26.25	1.75	27.88	1.82	29.51	1.88	30.68	1.91	32.77	1.94	34.40	1.98
		75	25.61	1.85	27.24	1.92	28.87	1.99	30.04	2.01	32.12	2.05	33.74	2.09
		80	24.98	1.94	26.60	2.01	28.23	2.09	29.40	2.11	31.47	2.15	33.09	2.19
		85	24.36	2.04	25.97	2.11	27.59	2.19	28.76	2.21	30.83	2.26	32.45	2.30
		90	23.73	2.13	25.34	2.21	26.96	2.29	28.12	2.32	30.19	2.36	31.80	2.41
		95	23.05	2.23	24.66	2.31	26.26	2.39	27.00	2.42	29.48	2.47	31.08	2.51
		100	22.49	2.32	24.10	2.41	25.70	2.49	26.65	2.52	28.91	2.57	30.52	2.62
	105	21.93	2.42	23.53	2.50	25.14	2.60	26.30	2.63	28.35	2.67	29.96	2.73	
	110	21.37	2.51	22.97	2.60	24.58	2.70	25.74	2.73	27.79	2.78	29.40	2.84	
	115	20.81	2.61	22.41	2.70	24.02	2.80	25.18	2.83	27.23	2.88	28.84	2.94	
	118	20.47	2.66	22.08	2.76	23.68	2.86	24.84	2.89	26.89	2.95	28.50	3.01	
	122	20.36	2.74	21.96	2.84	23.57	2.94	24.73	2.98	26.78	3.03	28.39	3.09	
	14	29.41	1.65	31.24	1.71	33.06	1.77	34.38	1.79	36.71	1.82	38.54	1.86	
	20	29.39	1.67	31.21	1.73	33.04	1.79	34.35	1.81	36.69	1.85	38.51	1.89	
	25	29.36	1.69	31.19	1.75	33.01	1.82	34.33	1.84	36.66	1.87	38.48	1.91	
	30	29.34	1.72	31.16	1.78	32.99	1.84	34.30	1.87	36.63	1.90	38.45	1.94	
	35	29.32	1.74	31.14	1.80	32.96	1.87	34.28	1.89	36.60	1.93	38.42	1.97	
	40	29.30	1.76	31.12	1.83	32.94	1.90	34.25	1.92	36.57	1.95	38.39	1.99	
	45	29.27	1.79	31.09	1.85	32.91	1.92	34.22	1.94	36.55	1.98	38.36	2.02	
	50	29.25	1.81	31.07	1.88	32.89	1.95	34.20	1.97	36.52	2.01	38.34	2.05	
	55	29.23	1.84	31.04	1.90	32.86	1.97	34.17	1.99	36.49	2.03	38.31	2.07	
	60	29.21	1.86	31.02	1.93	32.83	2.00	34.14	2.02	36.46	2.06	38.28	2.10	
	65	29.18	1.88	31.00	1.95	32.81	2.02	34.12	2.05	36.43	2.08	38.25	2.13	
	70	29.16	1.91	30.97	1.98	32.78	2.05	34.09	2.07	36.41	2.11	38.22	2.15	
	75	28.46	2.01	30.27	2.08	32.07	2.16	33.38	2.18	35.69	2.22	37.49	2.27	
	80	27.76	2.11	29.56	2.19	31.36	2.27	32.66	2.29	34.97	2.34	36.77	2.38	
	85	27.06	2.21	28.86	2.30	30.66	2.38	31.96	2.41	34.25	2.45	36.05	2.50	
	90	26.37	2.32	28.16	2.40	29.95	2.49	31.25	2.52	33.54	2.57	35.33	2.62	
	95	25.61	2.42	27.40	2.51	29.18	2.60	30.00	2.63	32.75	2.68	34.53	2.73	
	100	24.99	2.52	26.77	2.62	28.56	2.71	29.61	2.74	32.13	2.79	33.91	2.85	
	105	24.37	2.63	26.15	2.72	27.93	2.82	29.22	2.85	31.50	2.91	33.29	2.97	
110	23.74	2.73	25.53	2.83	27.31	2.93	28.60	2.97	30.88	3.02	32.66	3.08		
115	23.12	2.83	24.90	2.93	26.69	3.04	27.98	3.08	30.26	3.13	32.04	3.20		
118	22.74	2.89	24.53	3.00	26.31	3.11	27.60	3.14	29.88	3.20	31.67	3.27		
122	22.62	2.98	24.40	3.08	26.19	3.20	27.48	3.23	29.76	3.29	31.54	3.36		

TC = Total Capacity (kBtu/h).

PI = Power Input (kW).

Nominal capacity as rated: 0 ft. above sea level with 25 ft. of refrigerant piping.
0 ft. level difference between outdoor and indoor units.

Nominal cooling capacity rating obtained with air entering the indoor unit at 80°F dry bulb (DB) and 67°F wet bulb (WB), and outdoor ambient conditions of 95°F dry bulb (DB) and 75°F wet bulb (WB).

The shaded table rows indicate reference data. When operating at this temperature, these values can be different if the system is not running consistently.

PERFORMANCE DATA

Cooling Capacity Tables

MULTI F
MULTI F MAX

Table 77: LMU36CHV Cooling Capacity Table — Non-Ducted Indoor Units (continued).

Connected Indoor Units	Combination Capacity Index	Outdoor Air Temp. (°F DB)	Indoor Air Temp. °F DB / °F WB											
			68 / 57		73 / 61		77 / 64		80 / 67		86 / 72		90 / 75	
			TC	PI	TC	PI	TC	PI	TC	PI	TC	PI	TC	PI
Two (2) Non-Ducted Indoor Units	15 + 15	14	29.41	1.65	31.24	1.71	33.06	1.77	34.38	1.79	36.71	1.82	38.54	1.86
		20	29.39	1.67	31.21	1.73	33.04	1.79	34.35	1.81	36.69	1.85	38.51	1.89
		25	29.36	1.69	31.19	1.75	33.01	1.82	34.33	1.84	36.66	1.87	38.48	1.91
		30	29.34	1.72	31.16	1.78	32.99	1.84	34.30	1.87	36.63	1.90	38.45	1.94
		35	29.32	1.74	31.14	1.80	32.96	1.87	34.28	1.89	36.60	1.93	38.42	1.97
		40	29.30	1.76	31.12	1.83	32.94	1.90	34.25	1.92	36.57	1.95	38.39	1.99
		45	29.27	1.79	31.09	1.85	32.91	1.92	34.22	1.94	36.55	1.98	38.36	2.02
		50	29.25	1.81	31.07	1.88	32.89	1.95	34.20	1.97	36.52	2.01	38.34	2.05
		55	29.23	1.84	31.04	1.90	32.86	1.97	34.17	1.99	36.49	2.03	38.31	2.07
		60	29.21	1.86	31.02	1.93	32.83	2.00	34.14	2.02	36.46	2.06	38.28	2.10
		65	29.18	1.88	31.00	1.95	32.81	2.02	34.12	2.05	36.43	2.08	38.25	2.13
		70	29.16	1.91	30.97	1.98	32.78	2.05	34.09	2.07	36.41	2.11	38.22	2.15
	75	28.46	2.01	30.27	2.08	32.07	2.16	33.38	2.18	35.69	2.22	37.49	2.27	
	80	27.76	2.11	29.56	2.19	31.36	2.27	32.66	2.29	34.97	2.34	36.77	2.38	
	85	27.06	2.21	28.86	2.30	30.66	2.38	31.96	2.41	34.25	2.45	36.05	2.50	
	90	26.37	2.32	28.16	2.40	29.95	2.49	31.25	2.52	33.54	2.57	35.33	2.62	
	95	25.61	2.42	27.40	2.51	29.18	2.60	30.00	2.63	32.75	2.68	34.53	2.73	
	100	24.99	2.52	26.77	2.62	28.56	2.71	29.61	2.74	32.13	2.79	33.91	2.85	
	105	24.37	2.63	26.15	2.72	27.93	2.82	29.22	2.85	31.50	2.91	33.29	2.97	
	110	23.74	2.73	25.53	2.83	27.31	2.93	28.60	2.97	30.88	3.02	32.66	3.08	
	115	23.12	2.83	24.90	2.93	26.69	3.04	27.98	3.08	30.26	3.13	32.04	3.20	
	118	22.74	2.89	24.53	3.00	26.31	3.11	27.60	3.14	29.88	3.20	31.67	3.27	
	122	22.62	2.98	24.40	3.08	26.19	3.20	27.48	3.23	29.76	3.29	31.54	3.36	
	7 + 24	14	30.39	1.68	32.28	1.74	34.16	1.81	35.53	1.83	37.94	1.86	39.83	1.90
20		30.37	1.71	32.25	1.77	34.14	1.83	35.50	1.86	37.91	1.89	39.80	1.93	
25		30.34	1.73	32.23	1.80	34.11	1.86	35.47	1.88	37.88	1.92	39.77	1.96	
30		30.32	1.76	32.20	1.82	34.09	1.89	35.45	1.91	37.85	1.94	39.73	1.98	
35		30.30	1.78	32.18	1.85	34.06	1.91	35.42	1.93	37.82	1.97	39.70	2.01	
40		30.27	1.80	32.15	1.87	34.03	1.94	35.39	1.96	37.79	2.00	39.67	2.04	
45		30.25	1.83	32.13	1.90	34.01	1.96	35.36	1.99	37.76	2.02	39.64	2.07	
50		30.23	1.85	32.10	1.92	33.98	1.99	35.34	2.01	37.74	2.05	39.61	2.09	
55		30.20	1.88	32.08	1.95	33.96	2.02	35.31	2.04	37.71	2.08	39.58	2.12	
60		30.18	1.90	32.05	1.97	33.93	2.04	35.28	2.07	37.68	2.10	39.55	2.15	
65		30.16	1.93	32.03	2.00	33.90	2.07	35.26	2.09	37.65	2.13	39.52	2.17	
70		30.13	1.95	32.01	2.02	33.88	2.09	35.23	2.12	37.62	2.16	39.49	2.20	
75	29.41	2.05	31.28	2.13	33.14	2.21	34.49	2.23	36.88	2.27	38.74	2.32		
80	28.68	2.16	30.55	2.24	32.41	2.32	33.75	2.35	36.13	2.39	38.00	2.44		
85	27.97	2.26	29.82	2.35	31.68	2.43	33.02	2.46	35.40	2.51	37.25	2.56		
90	27.25	2.37	29.10	2.46	30.95	2.55	32.29	2.58	34.66	2.62	36.51	2.68		
95	26.47	2.48	28.31	2.57	30.15	2.66	31.00	2.69	33.84	2.74	35.69	2.80		
100	25.82	2.58	27.67	2.67	29.51	2.77	30.60	2.80	33.20	2.86	35.04	2.91		
105	25.18	2.69	27.02	2.78	28.87	2.89	30.20	2.92	32.55	2.97	34.40	3.03		
110	24.53	2.79	26.38	2.89	28.22	3.00	29.55	3.03	31.91	3.09	33.75	3.15		
115	23.89	2.90	25.73	3.00	27.58	3.11	28.91	3.15	31.26	3.21	33.11	3.27		
118	23.50	2.96	25.35	3.07	27.19	3.18	28.52	3.22	30.88	3.28	32.72	3.34		
122	23.37	3.04	25.22	3.15	27.06	3.27	28.39	3.31	30.75	3.37	32.59	3.44		

TC = Total Capacity (kBtu/h).

PI = Power Input (kW).

Nominal capacity as rated: 0 ft. above sea level with 25 ft. of refrigerant piping.
0 ft. level difference between outdoor and indoor units.

Nominal cooling capacity rating obtained with air entering the indoor unit at 80°F dry bulb (DB) and 67°F wet bulb (WB), and outdoor ambient conditions of 95°F dry bulb (DB) and 75°F wet bulb (WB).

The shaded table rows indicate reference data. When operating at this temperature, these values can be different if the system is not running consistently.

Multi F and Multi F MAX Heat Pump System Engineering Manual

Table 78: LMU36CHV Cooling Capacity Table — Non-Ducted Indoor Units (continued).

Connected Indoor Units	Combination Capacity Index	Outdoor Air Temp. (°F DB)	Indoor Air Temp. °F DB / °F WB											
			68 / 57		73 / 61		77 / 64		80 / 67		86 / 72		90 / 75	
			TC	PI	TC	PI	TC	PI	TC	PI	TC	PI	TC	PI
Two (2) Non-Ducted Indoor Units	9 + 24	14	31.37	1.73	33.32	1.79	35.27	1.86	36.67	1.88	39.16	1.91	41.11	1.95
		20	31.35	1.75	33.29	1.82	35.24	1.88	36.64	1.90	39.13	1.94	41.08	1.98
		25	31.32	1.78	33.27	1.84	35.21	1.91	36.62	1.93	39.10	1.97	41.05	2.01
		30	31.30	1.80	33.24	1.87	35.19	1.94	36.59	1.96	39.07	1.99	41.02	2.03
		35	31.27	1.83	33.22	1.89	35.16	1.96	36.56	1.98	39.04	2.02	40.99	2.06
		40	31.25	1.85	33.19	1.92	35.13	1.99	36.53	2.01	39.01	2.05	40.95	2.09
		45	31.23	1.88	33.17	1.94	35.10	2.02	36.51	2.04	38.98	2.08	40.92	2.12
		50	31.20	1.90	33.14	1.97	35.08	2.04	36.48	2.07	38.95	2.10	40.89	2.15
		55	31.18	1.93	33.11	2.00	35.05	2.07	36.45	2.09	38.92	2.13	40.86	2.17
		60	31.15	1.95	33.09	2.02	35.02	2.10	36.42	2.12	38.89	2.16	40.83	2.20
		65	31.13	1.98	33.06	2.05	35.00	2.12	36.39	2.15	38.86	2.19	40.80	2.23
		70	31.11	2.00	33.04	2.07	34.97	2.15	36.37	2.17	38.83	2.21	40.77	2.26
		75	30.36	2.11	32.28	2.19	34.21	2.26	35.60	2.29	38.07	2.33	39.99	2.38
		80	29.61	2.22	31.53	2.30	33.45	2.38	34.84	2.41	37.30	2.45	39.22	2.50
		85	28.87	2.32	30.78	2.41	32.70	2.50	34.09	2.53	36.54	2.57	38.46	2.62
		90	28.13	2.43	30.04	2.52	31.95	2.61	33.33	2.64	35.78	2.69	37.69	2.75
		95	27.32	2.54	29.22	2.63	31.13	2.73	32.00	2.76	34.93	2.81	36.84	2.87
		100	26.65	2.65	28.56	2.74	30.46	2.84	31.59	2.88	34.27	2.93	36.17	2.99
		105	25.99	2.76	27.89	2.86	29.80	2.96	31.17	2.99	33.60	3.05	35.51	3.11
		110	25.32	2.86	27.23	2.97	29.13	3.08	30.51	3.11	32.94	3.17	34.84	3.23
		115	24.66	2.97	26.56	3.08	28.47	3.19	29.84	3.23	32.27	3.29	34.18	3.36
		118	24.26	3.04	26.16	3.15	28.07	3.26	29.44	3.30	31.87	3.36	33.78	3.43
	122	24.13	3.12	26.03	3.24	27.93	3.35	29.31	3.39	31.74	3.46	33.64	3.53	
	15 + 18	14	31.37	1.73	33.32	1.79	35.27	1.86	36.67	1.88	39.16	1.91	41.11	1.95
		20	31.35	1.75	33.29	1.82	35.24	1.88	36.64	1.90	39.13	1.94	41.08	1.98
		25	31.32	1.78	33.27	1.84	35.21	1.91	36.62	1.93	39.10	1.97	41.05	2.01
		30	31.30	1.80	33.24	1.87	35.19	1.94	36.59	1.96	39.07	1.99	41.02	2.03
		35	31.27	1.83	33.22	1.89	35.16	1.96	36.56	1.98	39.04	2.02	40.99	2.06
		40	31.25	1.85	33.19	1.92	35.13	1.99	36.53	2.01	39.01	2.05	40.95	2.09
		45	31.23	1.88	33.17	1.94	35.10	2.02	36.51	2.04	38.98	2.08	40.92	2.12
		50	31.20	1.90	33.14	1.97	35.08	2.04	36.48	2.07	38.95	2.10	40.89	2.15
		55	31.18	1.93	33.11	2.00	35.05	2.07	36.45	2.09	38.92	2.13	40.86	2.17
		60	31.15	1.95	33.09	2.02	35.02	2.10	36.42	2.12	38.89	2.16	40.83	2.20
		65	31.13	1.98	33.06	2.05	35.00	2.12	36.39	2.15	38.86	2.19	40.80	2.23
		70	31.11	2.00	33.04	2.07	34.97	2.15	36.37	2.17	38.83	2.21	40.77	2.26
		75	30.36	2.11	32.28	2.19	34.21	2.26	35.60	2.29	38.07	2.33	39.99	2.38
		80	29.61	2.22	31.53	2.30	33.45	2.38	34.84	2.41	37.30	2.45	39.22	2.50
		85	28.87	2.32	30.78	2.41	32.70	2.50	34.09	2.53	36.54	2.57	38.46	2.62
		90	28.13	2.43	30.04	2.52	31.95	2.61	33.33	2.64	35.78	2.69	37.69	2.75
		95	27.32	2.54	29.22	2.63	31.13	2.73	32.00	2.76	34.93	2.81	36.84	2.87
		100	26.65	2.65	28.56	2.74	30.46	2.84	31.59	2.88	34.27	2.93	36.17	2.99
		105	25.99	2.76	27.89	2.86	29.80	2.96	31.17	2.99	33.60	3.05	35.51	3.11
110		25.32	2.86	27.23	2.97	29.13	3.08	30.51	3.11	32.94	3.17	34.84	3.23	
115		24.66	2.97	26.56	3.08	28.47	3.19	29.84	3.23	32.27	3.29	34.18	3.36	
118		24.26	3.04	26.16	3.15	28.07	3.26	29.44	3.30	31.87	3.36	33.78	3.43	
122	24.13	3.12	26.03	3.24	27.93	3.35	29.31	3.39	31.74	3.46	33.64	3.53		

TC = Total Capacity (kBtu/h).
PI = Power Input (kW).
Nominal capacity as rated: 0 ft. above sea level with 25 ft. of refrigerant piping.
0 ft. level difference between outdoor and indoor units.

Nominal cooling capacity rating obtained with air entering the indoor unit at 80°F dry bulb (DB) and 67°F wet bulb (WB), and outdoor ambient conditions of 95°F dry bulb (DB) and 75°F wet bulb (WB).
The shaded table rows indicate reference data. When operating at this temperature, these values can be different if the system is not running consistently.

PERFORMANCE DATA

Cooling Capacity Tables

MULTI F
MULTI F MAX

Table 79: LMU36CHV Cooling Capacity Table — Non-Ducted Indoor Units (continued).

Connected Indoor Units	Combination Capacity Index	Outdoor Air Temp. (°F DB)	Indoor Air Temp. °F DB / °F WB											
			68 / 57		73 / 61		77 / 64		80 / 67		86 / 72		90 / 75	
			TC	PI	TC	PI	TC	PI	TC	PI	TC	PI	TC	PI
Two (2) Non-Ducted Indoor Units	18 + 18	14	31.37	1.73	33.32	1.79	35.27	1.86	36.67	1.88	39.16	1.91	41.11	1.95
		20	31.35	1.75	33.29	1.82	35.24	1.88	36.64	1.90	39.13	1.94	41.08	1.98
		25	31.32	1.78	33.27	1.84	35.21	1.91	36.62	1.93	39.10	1.97	41.05	2.01
		30	31.30	1.80	33.24	1.87	35.19	1.94	36.59	1.96	39.07	1.99	41.02	2.03
		35	31.27	1.83	33.22	1.89	35.16	1.96	36.56	1.98	39.04	2.02	40.99	2.06
		40	31.25	1.85	33.19	1.92	35.13	1.99	36.53	2.01	39.01	2.05	40.95	2.09
		45	31.23	1.88	33.17	1.94	35.10	2.02	36.51	2.04	38.98	2.08	40.92	2.12
		50	31.20	1.90	33.14	1.97	35.08	2.04	36.48	2.07	38.95	2.10	40.89	2.15
		55	31.18	1.93	33.11	2.00	35.05	2.07	36.45	2.09	38.92	2.13	40.86	2.17
		60	31.15	1.95	33.09	2.02	35.02	2.10	36.42	2.12	38.89	2.16	40.83	2.20
		65	31.13	1.98	33.06	2.05	35.00	2.12	36.39	2.15	38.86	2.19	40.80	2.23
		70	31.11	2.00	33.04	2.07	34.97	2.15	36.37	2.17	38.83	2.21	40.77	2.26
		75	30.36	2.11	32.28	2.19	34.21	2.26	35.60	2.29	38.07	2.33	39.99	2.38
		80	29.61	2.22	31.53	2.30	33.45	2.38	34.84	2.41	37.30	2.45	39.22	2.50
		85	28.87	2.32	30.78	2.41	32.70	2.50	34.09	2.53	36.54	2.57	38.46	2.62
		90	28.13	2.43	30.04	2.52	31.95	2.61	33.33	2.64	35.78	2.69	37.69	2.75
		95	27.32	2.54	29.22	2.63	31.13	2.73	32.00	2.76	34.93	2.81	36.84	2.87
		100	26.65	2.65	28.56	2.74	30.46	2.84	31.59	2.88	34.27	2.93	36.17	2.99
	105	25.99	2.76	27.89	2.86	29.80	2.96	31.17	2.99	33.60	3.05	35.51	3.11	
	110	25.32	2.86	27.23	2.97	29.13	3.08	30.51	3.11	32.94	3.17	34.84	3.23	
	115	24.66	2.97	26.56	3.08	28.47	3.19	29.84	3.23	32.27	3.29	34.18	3.36	
	118	24.26	3.04	26.16	3.15	28.07	3.26	29.44	3.30	31.87	3.36	33.78	3.43	
	122	24.13	3.12	26.03	3.24	27.93	3.35	29.31	3.39	31.74	3.46	33.64	3.53	
	12 + 24	14	31.37	1.73	33.32	1.79	35.27	1.86	36.67	1.88	39.16	1.91	41.11	1.95
		20	31.35	1.75	33.29	1.82	35.24	1.88	36.64	1.90	39.13	1.94	41.08	1.98
		25	31.32	1.78	33.27	1.84	35.21	1.91	36.62	1.93	39.10	1.97	41.05	2.01
		30	31.30	1.80	33.24	1.87	35.19	1.94	36.59	1.96	39.07	1.99	41.02	2.03
		35	31.27	1.83	33.22	1.89	35.16	1.96	36.56	1.98	39.04	2.02	40.99	2.06
		40	31.25	1.85	33.19	1.92	35.13	1.99	36.53	2.01	39.01	2.05	40.95	2.09
		45	31.23	1.88	33.17	1.94	35.10	2.02	36.51	2.04	38.98	2.08	40.92	2.12
		50	31.20	1.90	33.14	1.97	35.08	2.04	36.48	2.07	38.95	2.10	40.89	2.15
		55	31.18	1.93	33.11	2.00	35.05	2.07	36.45	2.09	38.92	2.13	40.86	2.17
		60	31.15	1.95	33.09	2.02	35.02	2.10	36.42	2.12	38.89	2.16	40.83	2.20
		65	31.13	1.98	33.06	2.05	35.00	2.12	36.39	2.15	38.86	2.19	40.80	2.23
		70	31.11	2.00	33.04	2.07	34.97	2.15	36.37	2.17	38.83	2.21	40.77	2.26
		75	30.36	2.11	32.28	2.19	34.21	2.26	35.60	2.29	38.07	2.33	39.99	2.38
		80	29.61	2.22	31.53	2.30	33.45	2.38	34.84	2.41	37.30	2.45	39.22	2.50
		85	28.87	2.32	30.78	2.41	32.70	2.50	34.09	2.53	36.54	2.57	38.46	2.62
		90	28.13	2.43	30.04	2.52	31.95	2.61	33.33	2.64	35.78	2.69	37.69	2.75
		95	27.32	2.54	29.22	2.63	31.13	2.73	32.00	2.76	34.93	2.81	36.84	2.87
		100	26.65	2.65	28.56	2.74	30.46	2.84	31.59	2.88	34.27	2.93	36.17	2.99
	105	25.99	2.76	27.89	2.86	29.80	2.96	31.17	2.99	33.60	3.05	35.51	3.11	
110	25.32	2.86	27.23	2.97	29.13	3.08	30.51	3.11	32.94	3.17	34.84	3.23		
115	24.66	2.97	26.56	3.08	28.47	3.19	29.84	3.23	32.27	3.29	34.18	3.36		
118	24.26	3.04	26.16	3.15	28.07	3.26	29.44	3.30	31.87	3.36	33.78	3.43		
122	24.13	3.12	26.03	3.24	27.93	3.35	29.31	3.39	31.74	3.46	33.64	3.53		

TC = Total Capacity (kBtu/h).

PI = Power Input (kW).

Nominal capacity as rated: 0 ft. above sea level with 25 ft. of refrigerant piping.
0 ft. level difference between outdoor and indoor units.

Nominal cooling capacity rating obtained with air entering the indoor unit at 80°F dry bulb (DB) and 67°F wet bulb (WB), and outdoor ambient conditions of 95°F dry bulb (DB) and 75°F wet bulb (WB).

The shaded table rows indicate reference data. When operating at this temperature, these values can be different if the system is not running consistently.

Multi F and Multi F MAX Heat Pump System Engineering Manual

Table 80: LMU36CHV Cooling Capacity Table — Non-Ducted Indoor Units (continued).

Connected Indoor Units	Combination Capacity Index	Outdoor Air Temp. (°F DB)	Indoor Air Temp. °F DB / °F WB											
			68 / 57		73 / 61		77 / 64		80 / 67		86 / 72		90 / 75	
			TC	PI	TC	PI	TC	PI	TC	PI	TC	PI	TC	PI
Two (2) Non-Ducted Indoor Units	15 + 24	14	31.37	1.73	33.32	1.79	35.27	1.86	36.67	1.88	39.16	1.91	41.11	1.95
		20	31.35	1.75	33.29	1.82	35.24	1.88	36.64	1.90	39.13	1.94	41.08	1.98
		25	31.32	1.78	33.27	1.84	35.21	1.91	36.62	1.93	39.10	1.97	41.05	2.01
		30	31.30	1.80	33.24	1.87	35.19	1.94	36.59	1.96	39.07	1.99	41.02	2.03
		35	31.27	1.83	33.22	1.89	35.16	1.96	36.56	1.98	39.04	2.02	40.99	2.06
		40	31.25	1.85	33.19	1.92	35.13	1.99	36.53	2.01	39.01	2.05	40.95	2.09
		45	31.23	1.88	33.17	1.94	35.10	2.02	36.51	2.04	38.98	2.08	40.92	2.12
		50	31.20	1.90	33.14	1.97	35.08	2.04	36.48	2.07	38.95	2.10	40.89	2.15
		55	31.18	1.93	33.11	2.00	35.05	2.07	36.45	2.09	38.92	2.13	40.86	2.17
		60	31.15	1.95	33.09	2.02	35.02	2.10	36.42	2.12	38.89	2.16	40.83	2.20
		65	31.13	1.98	33.06	2.05	35.00	2.12	36.39	2.15	38.86	2.19	40.80	2.23
		70	31.11	2.00	33.04	2.07	34.97	2.15	36.37	2.17	38.83	2.21	40.77	2.26
		75	30.36	2.11	32.28	2.19	34.21	2.26	35.60	2.29	38.07	2.33	39.99	2.38
		80	29.61	2.22	31.53	2.30	33.45	2.38	34.84	2.41	37.30	2.45	39.22	2.50
		85	28.87	2.32	30.78	2.41	32.70	2.50	34.09	2.53	36.54	2.57	38.46	2.62
		90	28.13	2.43	30.04	2.52	31.95	2.61	33.33	2.64	35.78	2.69	37.69	2.75
		95	27.32	2.54	29.22	2.63	31.13	2.73	32.00	2.76	34.93	2.81	36.84	2.87
		100	26.65	2.65	28.56	2.74	30.46	2.84	31.59	2.88	34.27	2.93	36.17	2.99
		105	25.99	2.76	27.89	2.86	29.80	2.96	31.17	2.99	33.60	3.05	35.51	3.11
		110	25.32	2.86	27.23	2.97	29.13	3.08	30.51	3.11	32.94	3.17	34.84	3.23
		115	24.66	2.97	26.56	3.08	28.47	3.19	29.84	3.23	32.27	3.29	34.18	3.36
	118	24.26	3.04	26.16	3.15	28.07	3.26	29.44	3.30	31.87	3.36	33.78	3.43	
	122	24.13	3.12	26.03	3.24	27.93	3.35	29.31	3.39	31.74	3.46	33.64	3.53	
	18 + 24	14	31.37	1.73	33.32	1.79	35.27	1.86	36.67	1.88	39.16	1.91	41.11	1.95
		20	31.35	1.75	33.29	1.82	35.24	1.88	36.64	1.90	39.13	1.94	41.08	1.98
		25	31.32	1.78	33.27	1.84	35.21	1.91	36.62	1.93	39.10	1.97	41.05	2.01
		30	31.30	1.80	33.24	1.87	35.19	1.94	36.59	1.96	39.07	1.99	41.02	2.03
		35	31.27	1.83	33.22	1.89	35.16	1.96	36.56	1.98	39.04	2.02	40.99	2.06
		40	31.25	1.85	33.19	1.92	35.13	1.99	36.53	2.01	39.01	2.05	40.95	2.09
		45	31.23	1.88	33.17	1.94	35.10	2.02	36.51	2.04	38.98	2.08	40.92	2.12
		50	31.20	1.90	33.14	1.97	35.08	2.04	36.48	2.07	38.95	2.10	40.89	2.15
		55	31.18	1.93	33.11	2.00	35.05	2.07	36.45	2.09	38.92	2.13	40.86	2.17
		60	31.15	1.95	33.09	2.02	35.02	2.10	36.42	2.12	38.89	2.16	40.83	2.20
		65	31.13	1.98	33.06	2.05	35.00	2.12	36.39	2.15	38.86	2.19	40.80	2.23
		70	31.11	2.00	33.04	2.07	34.97	2.15	36.37	2.17	38.83	2.21	40.77	2.26
		75	30.36	2.11	32.28	2.19	34.21	2.26	35.60	2.29	38.07	2.33	39.99	2.38
		80	29.61	2.22	31.53	2.30	33.45	2.38	34.84	2.41	37.30	2.45	39.22	2.50
		85	28.87	2.32	30.78	2.41	32.70	2.50	34.09	2.53	36.54	2.57	38.46	2.62
		90	28.13	2.43	30.04	2.52	31.95	2.61	33.33	2.64	35.78	2.69	37.69	2.75
		95	27.32	2.54	29.22	2.63	31.13	2.73	32.00	2.76	34.93	2.81	36.84	2.87
		100	26.65	2.65	28.56	2.74	30.46	2.84	31.59	2.88	34.27	2.93	36.17	2.99
		105	25.99	2.76	27.89	2.86	29.80	2.96	31.17	2.99	33.60	3.05	35.51	3.11
110		25.32	2.86	27.23	2.97	29.13	3.08	30.51	3.11	32.94	3.17	34.84	3.23	
115		24.66	2.97	26.56	3.08	28.47	3.19	29.84	3.23	32.27	3.29	34.18	3.36	
118	24.26	3.04	26.16	3.15	28.07	3.26	29.44	3.30	31.87	3.36	33.78	3.43		
122	24.13	3.12	26.03	3.24	27.93	3.35	29.31	3.39	31.74	3.46	33.64	3.53		

TC = Total Capacity (kBtu/h).

PI = Power Input (kW).

Nominal capacity as rated: 0 ft. above sea level with 25 ft. of refrigerant piping.
0 ft. level difference between outdoor and indoor units.

Nominal cooling capacity rating obtained with air entering the indoor unit at 80°F dry bulb (DB) and 67°F wet bulb (WB), and outdoor ambient conditions of 95°F dry bulb (DB) and 75°F wet bulb (WB).

The shaded table rows indicate reference data. When operating at this temperature, these values can be different if the system is not running consistently.

PERFORMANCE DATA

Cooling Capacity Tables

MULTI F
MULTI F MAX

Table 81: LMU36CHV Cooling Capacity Table — Non-Ducted Indoor Units (continued).

Connected Indoor Units	Combination Capacity Index	Outdoor Air Temp. (°F DB)	Indoor Air Temp. °F DB / °F WB											
			68 / 57		73 / 61		77 / 64		80 / 67		86 / 72		90 / 75	
			TC	PI	TC	PI	TC	PI	TC	PI	TC	PI	TC	PI
Two (2) Non-Ducted Indoor Units	24 + 24	14	31.37	1.73	33.32	1.79	35.27	1.86	36.67	1.88	39.16	1.91	41.11	1.95
		20	31.35	1.75	33.29	1.82	35.24	1.88	36.64	1.90	39.13	1.94	41.08	1.98
		25	31.32	1.78	33.27	1.84	35.21	1.91	36.62	1.93	39.10	1.97	41.05	2.01
		30	31.30	1.80	33.24	1.87	35.19	1.94	36.59	1.96	39.07	1.99	41.02	2.03
		35	31.27	1.83	33.22	1.89	35.16	1.96	36.56	1.98	39.04	2.02	40.99	2.06
		40	31.25	1.85	33.19	1.92	35.13	1.99	36.53	2.01	39.01	2.05	40.95	2.09
		45	31.23	1.88	33.17	1.94	35.10	2.02	36.51	2.04	38.98	2.08	40.92	2.12
		50	31.20	1.90	33.14	1.97	35.08	2.04	36.48	2.07	38.95	2.10	40.89	2.15
		55	31.18	1.93	33.11	2.00	35.05	2.07	36.45	2.09	38.92	2.13	40.86	2.17
		60	31.15	1.95	33.09	2.02	35.02	2.10	36.42	2.12	38.89	2.16	40.83	2.20
		65	31.13	1.98	33.06	2.05	35.00	2.12	36.39	2.15	38.86	2.19	40.80	2.23
		70	31.11	2.00	33.04	2.07	34.97	2.15	36.37	2.17	38.83	2.21	40.77	2.26
		75	30.36	2.11	32.28	2.19	34.21	2.26	35.60	2.29	38.07	2.33	39.99	2.38
		80	29.61	2.22	31.53	2.30	33.45	2.38	34.84	2.41	37.30	2.45	39.22	2.50
		85	28.87	2.32	30.78	2.41	32.70	2.50	34.09	2.53	36.54	2.57	38.46	2.62
		90	28.13	2.43	30.04	2.52	31.95	2.61	33.33	2.64	35.78	2.69	37.69	2.75
		95	27.32	2.54	29.22	2.63	31.13	2.73	32.00	2.76	34.93	2.81	36.84	2.87
		100	26.65	2.65	28.56	2.74	30.46	2.84	31.59	2.88	34.27	2.93	36.17	2.99
		105	25.99	2.76	27.89	2.86	29.80	2.96	31.17	2.99	33.60	3.05	35.51	3.11
		110	25.32	2.86	27.23	2.97	29.13	3.08	30.51	3.11	32.94	3.17	34.84	3.23
		115	24.66	2.97	26.56	3.08	28.47	3.19	29.84	3.23	32.27	3.29	34.18	3.36
118	24.26	3.04	26.16	3.15	28.07	3.26	29.44	3.30	31.87	3.36	33.78	3.43		
122	24.13	3.12	26.03	3.24	27.93	3.35	29.31	3.39	31.74	3.46	33.64	3.53		
Three (3) Non-Ducted Indoor Units	7 + 7 + 7	14	20.59	1.20	21.86	1.24	23.14	1.28	24.07	1.30	25.70	1.32	26.98	1.35
		20	20.57	1.21	21.85	1.26	23.13	1.30	24.05	1.32	25.68	1.34	26.96	1.37
		25	20.55	1.23	21.83	1.27	23.11	1.32	24.03	1.34	25.66	1.36	26.94	1.39
		30	20.54	1.25	21.81	1.29	23.09	1.34	24.01	1.35	25.64	1.38	26.92	1.41
		35	20.52	1.26	21.80	1.31	23.07	1.36	23.99	1.37	25.62	1.40	26.90	1.43
		40	20.51	1.28	21.78	1.33	23.05	1.38	23.97	1.39	25.60	1.42	26.88	1.45
		45	20.49	1.30	21.76	1.35	23.04	1.39	23.96	1.41	25.58	1.44	26.86	1.47
		50	20.48	1.32	21.75	1.36	23.02	1.41	23.94	1.43	25.56	1.46	26.83	1.49
		55	20.46	1.33	21.73	1.38	23.00	1.43	23.92	1.45	25.54	1.48	26.81	1.51
		60	20.44	1.35	21.71	1.40	22.98	1.45	23.90	1.47	25.52	1.49	26.79	1.52
		65	20.43	1.37	21.70	1.42	22.97	1.47	23.88	1.49	25.50	1.51	26.77	1.54
		70	20.41	1.38	21.68	1.43	22.95	1.49	23.86	1.50	25.48	1.53	26.75	1.56
		75	19.92	1.46	21.19	1.51	22.45	1.57	23.36	1.59	24.98	1.62	26.25	1.65
		80	19.43	1.53	20.69	1.59	21.95	1.65	22.87	1.67	24.48	1.70	25.74	1.73
		85	18.94	1.61	20.20	1.67	21.46	1.73	22.37	1.75	23.98	1.78	25.24	1.82
		90	18.46	1.68	19.71	1.74	20.97	1.81	21.87	1.83	23.48	1.86	24.73	1.90
		95	17.93	1.76	19.18	1.82	20.43	1.89	21.00	1.91	22.93	1.95	24.17	1.98
		100	17.49	1.83	18.74	1.90	19.99	1.97	20.73	1.99	22.49	2.03	23.74	2.07
		105	17.06	1.91	18.30	1.98	19.55	2.05	20.46	2.07	22.05	2.11	23.30	2.15
		110	16.62	1.98	17.87	2.05	19.12	2.13	20.02	2.15	21.62	2.19	22.86	2.24
		115	16.18	2.06	17.43	2.13	18.68	2.21	19.58	2.23	21.18	2.28	22.43	2.32
118	15.92	2.10	17.17	2.18	18.42	2.26	19.32	2.28	20.92	2.33	22.17	2.37		
122	15.83	2.16	17.08	2.24	18.33	2.32	19.23	2.35	20.83	2.39	22.08	2.44		

TC = Total Capacity (kBtu/h).

PI = Power Input (kW).

Nominal capacity as rated: 0 ft. above sea level with 25 ft. of refrigerant piping,
0 ft. level difference between outdoor and indoor units.

Nominal cooling capacity rating obtained with air entering the indoor unit at 80°F dry bulb (DB) and 67°F wet bulb (WB), and outdoor ambient conditions of 95°F dry bulb (DB) and 75°F wet bulb (WB).

The shaded table rows indicate reference data. When operating at this temperature, these values can be different if the system is not running consistently.

Multi F and Multi F MAX Heat Pump System Engineering Manual

Table 82: LMU36CHV Cooling Capacity Table — Non-Ducted Indoor Units (continued).

Connected Indoor Units	Combination Capacity Index	Outdoor Air Temp. (°F DB)	Indoor Air Temp. °F DB / °F WB											
			68 / 57		73 / 61		77 / 64		80 / 67		86 / 72		90 / 75	
			TC	PI	TC	PI	TC	PI	TC	PI	TC	PI	TC	PI
Three (3) Non-Ducted Indoor Units	7 + 7 + 9	14	22.55	1.29	23.95	1.34	25.35	1.38	26.36	1.40	28.15	1.43	29.55	1.46
		20	22.53	1.31	23.93	1.36	25.33	1.40	26.34	1.42	28.13	1.45	29.53	1.48
		25	22.51	1.33	23.91	1.37	25.31	1.42	26.32	1.44	28.10	1.47	29.50	1.50
		30	22.50	1.34	23.89	1.39	25.29	1.44	26.30	1.46	28.08	1.49	29.48	1.52
		35	22.48	1.36	23.87	1.41	25.27	1.46	26.28	1.48	28.06	1.51	29.46	1.54
		40	22.46	1.38	23.86	1.43	25.25	1.48	26.26	1.50	28.04	1.53	29.44	1.56
		45	22.44	1.40	23.84	1.45	25.23	1.50	26.24	1.52	28.02	1.55	29.41	1.58
		50	22.43	1.42	23.82	1.47	25.21	1.52	26.22	1.54	28.00	1.57	29.39	1.60
		55	22.41	1.44	23.80	1.49	25.19	1.54	26.20	1.56	27.98	1.59	29.37	1.62
		60	22.39	1.46	23.78	1.51	25.17	1.56	26.18	1.58	27.95	1.61	29.35	1.64
		65	22.37	1.47	23.76	1.53	25.15	1.58	26.16	1.60	27.93	1.63	29.32	1.67
		70	22.36	1.49	23.75	1.55	25.13	1.60	26.14	1.62	27.91	1.65	29.30	1.69
		75	21.82	1.57	23.20	1.63	24.59	1.69	25.59	1.71	27.36	1.74	28.75	1.78
		80	21.28	1.65	22.66	1.71	24.04	1.78	25.04	1.80	26.81	1.83	28.19	1.87
		85	20.75	1.73	22.13	1.80	23.50	1.86	24.50	1.88	26.26	1.92	27.64	1.96
		90	20.22	1.82	21.59	1.88	22.96	1.95	23.96	1.97	25.71	2.01	27.09	2.05
		95	19.64	1.90	21.00	1.96	22.37	2.04	23.00	2.06	25.11	2.10	26.48	2.14
		100	19.16	1.98	20.53	2.05	21.89	2.12	22.70	2.15	24.63	2.19	26.00	2.23
	105	18.68	2.06	20.05	2.13	21.42	2.21	22.40	2.24	24.15	2.28	25.52	2.32	
	110	18.20	2.14	19.57	2.22	20.94	2.30	21.93	2.32	23.67	2.37	25.04	2.41	
	115	17.72	2.22	19.09	2.30	20.46	2.38	21.45	2.41	23.20	2.46	24.56	2.50	
	118	17.44	2.27	18.80	2.35	20.17	2.43	21.16	2.46	22.91	2.51	24.28	2.56	
	122	17.34	2.33	18.71	2.42	20.08	2.50	21.07	2.53	22.81	2.58	24.18	2.63	
	7 + 9 + 9	14	24.51	1.39	26.03	1.44	27.55	1.49	28.65	1.51	30.60	1.54	32.12	1.57
		20	24.49	1.41	26.01	1.46	27.53	1.51	28.63	1.53	30.57	1.56	32.09	1.59
		25	24.47	1.43	25.99	1.48	27.51	1.54	28.61	1.55	30.55	1.58	32.07	1.61
		30	24.45	1.45	25.97	1.50	27.49	1.56	28.59	1.57	30.53	1.60	32.04	1.64
		35	24.43	1.47	25.95	1.52	27.47	1.58	28.56	1.60	30.50	1.63	32.02	1.66
		40	24.41	1.49	25.93	1.54	27.45	1.60	28.54	1.62	30.48	1.65	32.00	1.68
		45	24.40	1.51	25.91	1.56	27.43	1.62	28.52	1.64	30.46	1.67	31.97	1.70
		50	24.38	1.53	25.89	1.58	27.40	1.64	28.50	1.66	30.43	1.69	31.95	1.73
		55	24.36	1.55	25.87	1.61	27.38	1.66	28.48	1.68	30.41	1.71	31.92	1.75
		60	24.34	1.57	25.85	1.63	27.36	1.69	28.45	1.70	30.39	1.74	31.90	1.77
		65	24.32	1.59	25.83	1.65	27.34	1.71	28.43	1.73	30.36	1.76	31.87	1.79
		70	24.30	1.61	25.81	1.67	27.32	1.73	28.41	1.75	30.34	1.78	31.85	1.82
		75	23.72	1.70	25.22	1.76	26.73	1.82	27.82	1.84	29.74	1.88	31.24	1.91
80		23.13	1.78	24.63	1.85	26.14	1.91	27.22	1.94	29.14	1.97	30.64	2.01	
85		22.55	1.87	24.05	1.94	25.55	2.01	26.63	2.03	28.54	2.07	30.04	2.11	
90		21.97	1.96	23.47	2.03	24.96	2.10	26.04	2.13	27.95	2.17	29.44	2.21	
95		21.34	2.04	22.83	2.12	24.32	2.19	25.00	2.22	27.29	2.26	28.78	2.31	
100		20.82	2.13	22.31	2.21	23.80	2.29	24.68	2.31	26.77	2.36	28.26	2.41	
105	20.30	2.22	21.79	2.30	23.28	2.38	24.35	2.41	26.25	2.45	27.74	2.50		
110	19.78	2.30	21.27	2.39	22.76	2.47	23.83	2.50	25.73	2.55	27.22	2.60		
115	19.26	2.39	20.75	2.48	22.24	2.57	23.31	2.60	25.21	2.65	26.70	2.70		
118	18.95	2.44	20.44	2.53	21.93	2.62	23.00	2.65	24.90	2.70	26.39	2.76		
122	18.85	2.51	20.34	2.60	21.82	2.70	22.90	2.73	24.80	2.78	26.28	2.84		

TC = Total Capacity (kBtu/h).

PI = Power Input (kW).

Nominal capacity as rated: 0 ft. above sea level with 25 ft. of refrigerant piping.
0 ft. level difference between outdoor and indoor units.

Nominal cooling capacity rating obtained with air entering the indoor unit at 80°F dry bulb (DB) and 67°F wet bulb (WB), and outdoor ambient conditions of 95°F dry bulb (DB) and 75°F wet bulb (WB).

The shaded table rows indicate reference data. When operating at this temperature, these values can be different if the system is not running consistently.

PERFORMANCE DATA

Cooling Capacity Tables

MULTI F
MULTI F MAX

Table 83: LMU36CHV Cooling Capacity Table — Non-Ducted Indoor Units (continued).

Connected Indoor Units	Combination Capacity Index	Outdoor Air Temp. (°F DB)	Indoor Air Temp. °F DB / °F WB											
			68 / 57		73 / 61		77 / 64		80 / 67		86 / 72		90 / 75	
			TC	PI	TC	PI	TC	PI	TC	PI	TC	PI	TC	PI
Three (3) Non-Ducted Indoor Units	7 + 7 + 12	14	25.49	1.41	27.07	1.47	28.65	1.52	29.80	1.54	31.82	1.57	33.40	1.60
		20	25.47	1.43	27.05	1.49	28.63	1.54	29.77	1.56	31.80	1.59	33.38	1.62
		25	25.45	1.45	27.03	1.51	28.61	1.56	29.75	1.58	31.77	1.61	33.35	1.64
		30	25.43	1.48	27.01	1.53	28.59	1.58	29.73	1.60	31.75	1.63	33.33	1.67
		35	25.41	1.50	26.99	1.55	28.57	1.61	29.71	1.63	31.72	1.66	33.30	1.69
		40	25.39	1.52	26.97	1.57	28.54	1.63	29.68	1.65	31.70	1.68	33.27	1.71
		45	25.37	1.54	26.95	1.59	28.52	1.65	29.66	1.67	31.67	1.70	33.25	1.73
		50	25.35	1.56	26.93	1.61	28.50	1.67	29.64	1.69	31.65	1.72	33.22	1.76
		55	25.33	1.58	26.91	1.63	28.48	1.69	29.61	1.71	31.63	1.75	33.20	1.78
		60	25.31	1.60	26.88	1.66	28.46	1.72	29.59	1.74	31.60	1.77	33.17	1.80
		65	25.29	1.62	26.86	1.68	28.43	1.74	29.57	1.76	31.58	1.79	33.15	1.83
		70	25.27	1.64	26.84	1.70	28.41	1.76	29.55	1.78	31.55	1.81	33.12	1.85
		75	24.67	1.73	26.23	1.79	27.80	1.85	28.93	1.88	30.93	1.91	32.49	1.95
		80	24.06	1.81	25.62	1.88	27.18	1.95	28.31	1.97	30.31	2.01	31.87	2.05
		85	23.45	1.90	25.01	1.97	26.57	2.04	27.70	2.07	29.69	2.11	31.24	2.15
		90	22.85	1.99	24.41	2.06	25.96	2.14	27.08	2.16	29.07	2.20	30.62	2.25
		95	22.20	2.08	23.74	2.16	25.29	2.23	26.00	2.26	28.38	2.30	29.93	2.35
		100	21.66	2.17	23.20	2.25	24.75	2.33	25.66	2.36	27.84	2.40	29.39	2.45
		105	21.12	2.26	22.66	2.34	24.21	2.42	25.33	2.45	27.30	2.50	28.85	2.55
		110	20.58	2.34	22.12	2.43	23.67	2.52	24.79	2.55	26.76	2.60	28.31	2.65
		115	20.04	2.43	21.58	2.52	23.13	2.61	24.25	2.64	26.22	2.69	27.77	2.75
	118	19.71	2.49	21.26	2.58	22.80	2.67	23.92	2.70	25.90	2.75	27.44	2.81	
	122	19.60	2.56	21.15	2.65	22.70	2.75	23.81	2.78	25.79	2.83	27.34	2.89	
	9 + 9 + 9	14	26.47	1.44	28.11	1.49	29.76	1.55	30.94	1.56	33.04	1.59	34.69	1.63
		20	26.45	1.46	28.09	1.51	29.73	1.57	30.92	1.59	33.02	1.62	34.66	1.65
		25	26.43	1.48	28.07	1.53	29.71	1.59	30.90	1.61	32.99	1.64	34.63	1.67
		30	26.41	1.50	28.05	1.56	29.69	1.61	30.87	1.63	32.97	1.66	34.61	1.70
		35	26.39	1.52	28.03	1.58	29.66	1.64	30.85	1.65	32.94	1.69	34.58	1.72
		40	26.37	1.54	28.00	1.60	29.64	1.66	30.82	1.68	32.92	1.71	34.55	1.74
		45	26.35	1.56	27.98	1.62	29.62	1.68	30.80	1.70	32.89	1.73	34.53	1.77
		50	26.33	1.58	27.96	1.64	29.60	1.70	30.78	1.72	32.87	1.75	34.50	1.79
		55	26.31	1.60	27.94	1.66	29.57	1.72	30.75	1.74	32.84	1.78	34.48	1.81
		60	26.29	1.63	27.92	1.68	29.55	1.75	30.73	1.77	32.82	1.80	34.45	1.84
		65	26.27	1.65	27.90	1.71	29.53	1.77	30.71	1.79	32.79	1.82	34.42	1.86
		70	26.25	1.67	27.88	1.73	29.51	1.79	30.68	1.81	32.77	1.85	34.40	1.88
		75	25.61	1.76	27.24	1.82	28.87	1.89	30.04	1.91	32.12	1.94	33.74	1.98
		80	24.98	1.85	26.60	1.91	28.23	1.98	29.40	2.01	31.47	2.04	33.09	2.09
		85	24.36	1.94	25.97	2.01	27.59	2.08	28.76	2.10	30.83	2.14	32.45	2.19
		90	23.73	2.03	25.34	2.10	26.96	2.18	28.12	2.20	30.19	2.24	31.80	2.29
		95	23.05	2.12	24.66	2.19	26.26	2.27	27.00	2.30	29.48	2.34	31.08	2.39
		100	22.49	2.21	24.10	2.29	25.70	2.37	26.65	2.40	28.91	2.44	30.52	2.49
		105	21.93	2.30	23.53	2.38	25.14	2.47	26.30	2.50	28.35	2.54	29.96	2.59
110		21.37	2.39	22.97	2.47	24.58	2.56	25.74	2.59	27.79	2.64	29.40	2.69	
115		20.81	2.48	22.41	2.57	24.02	2.66	25.18	2.69	27.23	2.74	28.84	2.80	
118	20.47	2.53	22.08	2.62	23.68	2.72	24.84	2.75	26.89	2.80	28.50	2.86		
122	20.36	2.60	21.96	2.70	23.57	2.80	24.73	2.83	26.78	2.88	28.39	2.94		

TC = Total Capacity (kBtu/h).

PI = Power Input (kW).

Nominal capacity as rated: 0 ft. above sea level with 25 ft. of refrigerant piping.
0 ft. level difference between outdoor and indoor units.

Nominal cooling capacity rating obtained with air entering the indoor unit at 80°F dry bulb (DB) and 67°F wet bulb (WB), and outdoor ambient conditions of 95°F dry bulb (DB) and 75°F wet bulb (WB).

The shaded table rows indicate reference data. When operating at this temperature, these values can be different if the system is not running consistently.

Multi F and Multi F MAX Heat Pump System Engineering Manual

Table 84: LMU36CHV Cooling Capacity Table — Non-Ducted Indoor Units (continued).

Connected Indoor Units	Combination Capacity Index	Outdoor Air Temp. (°F DB)	Indoor Air Temp. °F DB / °F WB											
			68 / 57		73 / 61		77 / 64		80 / 67		86 / 72		90 / 75	
			TC	PI	TC	PI	TC	PI	TC	PI	TC	PI	TC	PI
Three (3) Non-Ducted Indoor Units	7 + 9 + 12	14	27.45	1.47	29.15	1.52	30.86	1.58	32.09	1.60	34.27	1.63	35.97	1.66
		20	27.43	1.49	29.13	1.55	30.83	1.60	32.06	1.62	34.24	1.65	35.94	1.68
		25	27.41	1.51	29.11	1.57	30.81	1.63	32.04	1.64	34.21	1.67	35.92	1.71
		30	27.39	1.53	29.09	1.59	30.79	1.65	32.02	1.67	34.19	1.70	35.89	1.73
		35	27.36	1.56	29.06	1.61	30.76	1.67	31.99	1.69	34.16	1.72	35.86	1.76
		40	27.34	1.58	29.04	1.63	30.74	1.69	31.97	1.71	34.14	1.75	35.83	1.78
		45	27.32	1.60	29.02	1.66	30.72	1.72	31.94	1.74	34.11	1.77	35.81	1.80
		50	27.30	1.62	29.00	1.68	30.69	1.74	31.92	1.76	34.08	1.79	35.78	1.83
		55	27.28	1.64	28.98	1.70	30.67	1.76	31.89	1.78	34.06	1.82	35.75	1.85
		60	27.26	1.66	28.95	1.72	30.65	1.78	31.87	1.80	34.03	1.84	35.72	1.88
		65	27.24	1.68	28.93	1.74	30.62	1.81	31.84	1.83	34.01	1.86	35.70	1.90
		70	27.22	1.70	28.91	1.77	30.60	1.83	31.82	1.85	33.98	1.89	35.67	1.92
		75	26.56	1.79	28.25	1.86	29.94	1.93	31.15	1.95	33.31	1.99	34.99	2.03
		80	25.91	1.89	27.59	1.96	29.27	2.03	30.49	2.05	32.64	2.09	34.32	2.13
		85	25.26	1.98	26.94	2.05	28.61	2.13	29.83	2.15	31.97	2.19	33.65	2.23
		90	24.61	2.07	26.28	2.15	27.96	2.22	29.17	2.25	31.30	2.29	32.98	2.34
		95	23.91	2.16	25.57	2.24	27.24	2.32	28.40	2.35	30.57	2.39	32.23	2.44
		100	23.32	2.25	24.99	2.34	26.65	2.42	27.64	2.45	29.98	2.50	31.65	2.55
		105	22.74	2.35	24.41	2.43	26.07	2.52	27.27	2.55	29.40	2.60	31.07	2.65
		110	22.16	2.44	23.82	2.53	25.49	2.62	26.69	2.65	28.82	2.70	30.49	2.75
		115	21.58	2.53	23.24	2.62	24.91	2.72	26.11	2.75	28.24	2.80	29.90	2.86
	118	21.23	2.59	22.89	2.68	24.56	2.78	25.76	2.81	27.89	2.86	29.55	2.92	
	122	21.11	2.66	22.78	2.76	24.44	2.86	25.64	2.89	27.77	2.94	29.44	3.00	
	14	28.43	1.50	30.19	1.56	31.96	1.61	33.23	1.63	35.49	1.66	37.26	1.70	
	20	28.41	1.52	30.17	1.58	31.94	1.64	33.21	1.66	35.46	1.69	37.23	1.72	
	25	28.39	1.55	30.15	1.60	31.91	1.66	33.18	1.68	35.44	1.71	37.20	1.74	
	30	28.36	1.57	30.13	1.62	31.89	1.68	33.16	1.70	35.41	1.73	37.17	1.77	
	35	28.34	1.59	30.10	1.65	31.86	1.71	33.13	1.73	35.38	1.76	37.14	1.79	
	40	28.32	1.61	30.08	1.67	31.84	1.73	33.11	1.75	35.36	1.78	37.11	1.82	
	45	28.30	1.63	30.06	1.69	31.81	1.75	33.08	1.77	35.33	1.81	37.09	1.84	
	50	28.28	1.65	30.03	1.71	31.79	1.78	33.06	1.80	35.30	1.83	37.06	1.87	
	55	28.26	1.67	30.01	1.74	31.76	1.80	33.03	1.82	35.27	1.85	37.03	1.89	
	60	28.23	1.70	29.99	1.76	31.74	1.82	33.01	1.84	35.25	1.88	37.00	1.92	
	65	28.21	1.72	29.96	1.78	31.72	1.85	32.98	1.87	35.22	1.90	36.97	1.94	
	70	28.19	1.74	29.94	1.80	31.69	1.87	32.96	1.89	35.19	1.93	36.94	1.96	
	75	27.51	1.83	29.26	1.90	31.00	1.97	32.27	1.99	34.50	2.03	36.24	2.07	
	80	26.83	1.93	28.58	2.00	30.32	2.07	31.58	2.09	33.80	2.13	35.54	2.18	
	85	26.16	2.02	27.90	2.09	29.64	2.17	30.89	2.20	33.11	2.24	34.85	2.28	
	90	25.49	2.11	27.22	2.19	28.96	2.27	30.21	2.30	32.42	2.34	34.16	2.39	
	95	24.76	2.21	26.48	2.29	28.21	2.37	29.50	2.40	31.66	2.44	33.38	2.49	
	100	24.16	2.30	25.88	2.39	27.61	2.47	28.82	2.50	31.06	2.55	32.78	2.60	
	105	23.55	2.40	25.28	2.48	27.00	2.57	28.25	2.60	30.45	2.65	32.18	2.71	
110	22.95	2.49	24.68	2.58	26.40	2.68	27.65	2.71	29.85	2.76	31.57	2.81		
115	22.35	2.58	24.07	2.68	25.80	2.78	27.04	2.81	29.25	2.86	30.97	2.92		
118	21.99	2.64	23.71	2.74	25.44	2.84	26.68	2.87	28.88	2.92	30.61	2.98		
122	21.86	2.72	23.59	2.81	25.31	2.92	26.56	2.95	28.76	3.01	30.49	3.07		

TC = Total Capacity (kBtu/h).

PI = Power Input (kW).

Nominal capacity as rated: 0 ft. above sea level with 25 ft. of refrigerant piping.
0 ft. level difference between outdoor and indoor units.

Nominal cooling capacity rating obtained with air entering the indoor unit at 80°F dry bulb (DB) and 67°F wet bulb (WB), and outdoor ambient conditions of 95°F dry bulb (DB) and 75°F wet bulb (WB).

The shaded table rows indicate reference data. When operating at this temperature, these values can be different if the system is not running consistently.

PERFORMANCE DATA

Cooling Capacity Tables

MULTI F
MULTI F MAX

Table 85: LMU36CHV Cooling Capacity Table — Non-Ducted Indoor Units (continued).

Connected Indoor Units	Combination Capacity Index	Outdoor Air Temp. (°F DB)	Indoor Air Temp. °F DB / °F WB											
			68 / 57		73 / 61		77 / 64		80 / 67		86 / 72		90 / 75	
			TC	PI	TC	PI	TC	PI	TC	PI	TC	PI	TC	PI
Three (3) Non-Ducted Indoor Units	9 + 9 + 12	14	29.41	1.54	31.24	1.60	33.06	1.65	34.38	1.67	36.71	1.70	38.54	1.74
		20	29.39	1.56	31.21	1.62	33.04	1.68	34.35	1.70	36.69	1.73	38.51	1.76
		25	29.36	1.58	31.19	1.64	33.01	1.70	34.33	1.72	36.66	1.75	38.48	1.79
		30	29.34	1.61	31.16	1.66	32.99	1.73	34.30	1.75	36.63	1.78	38.45	1.81
		35	29.32	1.63	31.14	1.69	32.96	1.75	34.28	1.77	36.60	1.80	38.42	1.84
		40	29.30	1.65	31.12	1.71	32.94	1.77	34.25	1.79	36.57	1.83	38.39	1.86
		45	29.27	1.67	31.09	1.73	32.91	1.80	34.22	1.82	36.55	1.85	38.36	1.89
		50	29.25	1.69	31.07	1.76	32.89	1.82	34.20	1.84	36.52	1.88	38.34	1.91
		55	29.23	1.72	31.04	1.78	32.86	1.84	34.17	1.87	36.49	1.90	38.31	1.94
		60	29.21	1.74	31.02	1.80	32.83	1.87	34.14	1.89	36.46	1.92	38.28	1.96
		65	29.18	1.76	31.00	1.82	32.81	1.89	34.12	1.91	36.43	1.95	38.25	1.99
		70	29.16	1.78	30.97	1.85	32.78	1.92	34.09	1.94	36.41	1.97	38.22	2.01
		75	28.46	1.88	30.27	1.95	32.07	2.02	33.38	2.04	35.69	2.08	37.49	2.12
		80	27.76	1.98	29.56	2.05	31.36	2.12	32.66	2.15	34.97	2.19	36.77	2.23
		85	27.06	2.07	28.86	2.15	30.66	2.23	31.96	2.25	34.25	2.29	36.05	2.34
		90	26.37	2.17	28.16	2.25	29.95	2.33	31.25	2.36	33.54	2.40	35.33	2.45
		95	25.61	2.26	27.40	2.35	29.18	2.43	30.00	2.46	32.75	2.51	34.53	2.56
		100	24.99	2.36	26.77	2.45	28.56	2.54	29.61	2.56	32.13	2.61	33.91	2.67
		105	24.37	2.46	26.15	2.55	27.93	2.64	29.22	2.67	31.50	2.72	33.29	2.77
		110	23.74	2.55	25.53	2.65	27.31	2.74	28.60	2.77	30.88	2.83	32.66	2.88
		115	23.12	2.65	24.90	2.75	26.69	2.85	27.98	2.88	30.26	2.93	32.04	2.99
	118	22.74	2.71	24.53	2.80	26.31	2.91	27.60	2.94	29.88	3.00	31.67	3.06	
	122	22.62	2.78	24.40	2.88	26.19	2.99	27.48	3.02	29.76	3.08	31.54	3.14	
	7 + 9 + 15	14	30.39	1.58	32.28	1.63	34.16	1.69	35.53	1.71	37.94	1.75	39.83	1.78
		20	30.37	1.60	32.25	1.66	34.14	1.72	35.50	1.74	37.91	1.77	39.80	1.81
		25	30.34	1.62	32.23	1.68	34.11	1.74	35.47	1.76	37.88	1.80	39.77	1.83
		30	30.32	1.64	32.20	1.71	34.09	1.77	35.45	1.79	37.85	1.82	39.73	1.86
		35	30.30	1.67	32.18	1.73	34.06	1.79	35.42	1.81	37.82	1.85	39.70	1.88
		40	30.27	1.69	32.15	1.75	34.03	1.82	35.39	1.84	37.79	1.87	39.67	1.91
		45	30.25	1.71	32.13	1.78	34.01	1.84	35.36	1.86	37.76	1.90	39.64	1.93
		50	30.23	1.74	32.10	1.80	33.98	1.86	35.34	1.89	37.74	1.92	39.61	1.96
		55	30.20	1.76	32.08	1.82	33.96	1.89	35.31	1.91	37.71	1.95	39.58	1.99
		60	30.18	1.78	32.05	1.85	33.93	1.91	35.28	1.94	37.68	1.97	39.55	2.01
		65	30.16	1.80	32.03	1.87	33.90	1.94	35.26	1.96	37.65	2.00	39.52	2.04
		70	30.13	1.83	32.01	1.89	33.88	1.96	35.23	1.98	37.62	2.02	39.49	2.06
		75	29.41	1.92	31.28	2.00	33.14	2.07	34.49	2.09	36.88	2.13	38.74	2.17
		80	28.68	2.02	30.55	2.10	32.41	2.17	33.75	2.20	36.13	2.24	38.00	2.29
		85	27.97	2.12	29.82	2.20	31.68	2.28	33.02	2.31	35.40	2.35	37.25	2.40
		90	27.25	2.22	29.10	2.30	30.95	2.39	32.29	2.41	34.66	2.46	36.51	2.51
		95	26.47	2.32	28.31	2.40	30.15	2.49	31.00	2.52	33.84	2.57	35.69	2.62
		100	25.82	2.42	27.67	2.51	29.51	2.60	30.60	2.63	33.20	2.68	35.04	2.73
		105	25.18	2.52	27.02	2.61	28.87	2.70	30.20	2.73	32.55	2.79	34.40	2.84
110		24.53	2.61	26.38	2.71	28.22	2.81	29.55	2.84	31.91	2.89	33.75	2.95	
115		23.89	2.71	25.73	2.81	27.58	2.91	28.91	2.95	31.26	3.00	33.11	3.06	
118	23.50	2.77	25.35	2.87	27.19	2.98	28.52	3.01	30.88	3.07	32.72	3.13		
122	23.37	2.85	25.22	2.96	27.06	3.06	28.39	3.10	30.75	3.16	32.59	3.22		

TC = Total Capacity (kBtu/h).

PI = Power Input (kW).

Nominal capacity as rated: 0 ft. above sea level with 25 ft. of refrigerant piping.
0 ft. level difference between outdoor and indoor units.

Nominal cooling capacity rating obtained with air entering the indoor unit at 80°F dry bulb (DB) and 67°F wet bulb (WB), and outdoor ambient conditions of 95°F dry bulb (DB) and 75°F wet bulb (WB).

The shaded table rows indicate reference data. When operating at this temperature, these values can be different if the system is not running consistently.



Multi F and Multi F MAX Heat Pump System Engineering Manual

Table 86: LMU36CHV Cooling Capacity Table — Non-Ducted Indoor Units (continued).

Connected Indoor Units	Combination Capacity Index	Outdoor Air Temp. (°F DB)	Indoor Air Temp. °F DB / °F WB											
			68 / 57		73 / 61		77 / 64		80 / 67		86 / 72		90 / 75	
			TC	PI	TC	PI	TC	PI	TC	PI	TC	PI	TC	PI
Three (3) Non-Ducted Indoor Units	7 + 12 + 12	14	30.39	1.58	32.28	1.63	34.16	1.69	35.53	1.71	37.94	1.75	39.83	1.78
		20	30.37	1.60	32.25	1.66	34.14	1.72	35.50	1.74	37.91	1.77	39.80	1.81
		25	30.34	1.62	32.23	1.68	34.11	1.74	35.47	1.76	37.88	1.80	39.77	1.83
		30	30.32	1.64	32.20	1.71	34.09	1.77	35.45	1.79	37.85	1.82	39.73	1.86
		35	30.30	1.67	32.18	1.73	34.06	1.79	35.42	1.81	37.82	1.85	39.70	1.88
		40	30.27	1.69	32.15	1.75	34.03	1.82	35.39	1.84	37.79	1.87	39.67	1.91
		45	30.25	1.71	32.13	1.78	34.01	1.84	35.36	1.86	37.76	1.90	39.64	1.93
		50	30.23	1.74	32.10	1.80	33.98	1.86	35.34	1.89	37.74	1.92	39.61	1.96
		55	30.20	1.76	32.08	1.82	33.96	1.89	35.31	1.91	37.71	1.95	39.58	1.99
		60	30.18	1.78	32.05	1.85	33.93	1.91	35.28	1.94	37.68	1.97	39.55	2.01
		65	30.16	1.80	32.03	1.87	33.90	1.94	35.26	1.96	37.65	2.00	39.52	2.04
		70	30.13	1.83	32.01	1.89	33.88	1.96	35.23	1.98	37.62	2.02	39.49	2.06
		75	29.41	1.92	31.28	2.00	33.14	2.07	34.49	2.09	36.88	2.13	38.74	2.17
		80	28.68	2.02	30.55	2.10	32.41	2.17	33.75	2.20	36.13	2.24	38.00	2.29
		85	27.97	2.12	29.82	2.20	31.68	2.28	33.02	2.31	35.40	2.35	37.25	2.40
		90	27.25	2.22	29.10	2.30	30.95	2.39	32.29	2.41	34.66	2.46	36.51	2.51
		95	26.47	2.32	28.31	2.40	30.15	2.49	31.00	2.52	33.84	2.57	35.69	2.62
		100	25.82	2.42	27.67	2.51	29.51	2.60	30.60	2.63	33.20	2.68	35.04	2.73
		105	25.18	2.52	27.02	2.61	28.87	2.70	30.20	2.73	32.55	2.79	34.40	2.84
		110	24.53	2.61	26.38	2.71	28.22	2.81	29.55	2.84	31.91	2.89	33.75	2.95
		115	23.89	2.71	25.73	2.81	27.58	2.91	28.91	2.95	31.26	3.00	33.11	3.06
	118	23.50	2.77	25.35	2.87	27.19	2.98	28.52	3.01	30.88	3.07	32.72	3.13	
	122	23.37	2.85	25.22	2.96	27.06	3.06	28.39	3.10	30.75	3.16	32.59	3.22	
	14	31.37	1.61	33.32	1.67	35.27	1.73	36.67	1.75	39.16	1.79	41.11	1.82	
	20	31.35	1.64	33.29	1.70	35.24	1.76	36.64	1.78	39.13	1.81	41.08	1.85	
	25	31.32	1.66	33.27	1.72	35.21	1.78	36.62	1.81	39.10	1.84	41.05	1.88	
	30	31.30	1.68	33.24	1.75	35.19	1.81	36.59	1.83	39.07	1.86	41.02	1.90	
	35	31.27	1.71	33.22	1.77	35.16	1.83	36.56	1.86	39.04	1.89	40.99	1.93	
	40	31.25	1.73	33.19	1.79	35.13	1.86	36.53	1.88	39.01	1.92	40.95	1.95	
	45	31.23	1.75	33.17	1.82	35.10	1.88	36.51	1.91	38.98	1.94	40.92	1.98	
	50	31.20	1.78	33.14	1.84	35.08	1.91	36.48	1.93	38.95	1.97	40.89	2.01	
	55	31.18	1.80	33.11	1.87	35.05	1.93	36.45	1.96	38.92	1.99	40.86	2.03	
	60	31.15	1.82	33.09	1.89	35.02	1.96	36.42	1.98	38.89	2.02	40.83	2.06	
	65	31.13	1.85	33.06	1.91	35.00	1.98	36.39	2.01	38.86	2.04	40.80	2.09	
	70	31.11	1.87	33.04	1.94	34.97	2.01	36.37	2.03	38.83	2.07	40.77	2.11	
	75	30.36	1.97	32.28	2.04	34.21	2.12	35.60	2.14	38.07	2.18	39.99	2.23	
	80	29.61	2.07	31.53	2.15	33.45	2.23	34.84	2.25	37.30	2.29	39.22	2.34	
	85	28.87	2.17	30.78	2.25	32.70	2.33	34.09	2.36	36.54	2.40	38.46	2.45	
	90	28.13	2.27	30.04	2.36	31.95	2.44	33.33	2.47	35.78	2.52	37.69	2.57	
	95	27.32	2.37	29.22	2.46	31.13	2.55	32.00	2.58	34.93	2.63	36.84	2.68	
	100	26.65	2.47	28.56	2.57	30.46	2.66	31.59	2.69	34.27	2.74	36.17	2.80	
	105	25.99	2.58	27.89	2.67	29.80	2.77	31.17	2.80	33.60	2.85	35.51	2.91	
110	25.32	2.68	27.23	2.77	29.13	2.88	30.51	2.91	32.94	2.96	34.84	3.02		
115	24.66	2.78	26.56	2.88	28.47	2.98	29.84	3.02	32.27	3.08	34.18	3.14		
118	24.26	2.84	26.16	2.94	28.07	3.05	29.44	3.08	31.87	3.14	33.78	3.21		
122	24.13	2.92	26.03	3.03	27.93	3.14	29.31	3.17	31.74	3.23	33.64	3.30		

TC = Total Capacity (kBtu/h).

PI = Power Input (kW).

Nominal capacity as rated: 0 ft. above sea level with 25 ft. of refrigerant piping.
0 ft. level difference between outdoor and indoor units.

Nominal cooling capacity rating obtained with air entering the indoor unit at 80°F dry bulb (DB) and 67°F wet bulb (WB), and outdoor ambient conditions of 95°F dry bulb (DB) and 75°F wet bulb (WB).

The shaded table rows indicate reference data. When operating at this temperature, these values can be different if the system is not running consistently.

PERFORMANCE DATA

Cooling Capacity Tables

MULTI F
MULTI F MAX

Table 87: LMU36CHV Cooling Capacity Table — Non-Ducted Indoor Units (continued).

Connected Indoor Units	Combination Capacity Index	Outdoor Air Temp. (°F DB)	Indoor Air Temp. °F DB / °F WB											
			68 / 57		73 / 61		77 / 64		80 / 67		86 / 72		90 / 75	
			TC	PI	TC	PI	TC	PI	TC	PI	TC	PI	TC	PI
Three (3) Non-Ducted Indoor Units	9 + 9 + 15	14	31.37	1.61	33.32	1.67	35.27	1.73	36.67	1.75	39.16	1.79	41.11	1.82
		20	31.35	1.64	33.29	1.70	35.24	1.76	36.64	1.78	39.13	1.81	41.08	1.85
		25	31.32	1.66	33.27	1.72	35.21	1.78	36.62	1.81	39.10	1.84	41.05	1.88
		30	31.30	1.68	33.24	1.75	35.19	1.81	36.59	1.83	39.07	1.86	41.02	1.90
		35	31.27	1.71	33.22	1.77	35.16	1.83	36.56	1.86	39.04	1.89	40.99	1.93
		40	31.25	1.73	33.19	1.79	35.13	1.86	36.53	1.88	39.01	1.92	40.95	1.95
		45	31.23	1.75	33.17	1.82	35.10	1.88	36.51	1.91	38.98	1.94	40.92	1.98
		50	31.20	1.78	33.14	1.84	35.08	1.91	36.48	1.93	38.95	1.97	40.89	2.01
		55	31.18	1.80	33.11	1.87	35.05	1.93	36.45	1.96	38.92	1.99	40.86	2.03
		60	31.15	1.82	33.09	1.89	35.02	1.96	36.42	1.98	38.89	2.02	40.83	2.06
		65	31.13	1.85	33.06	1.91	35.00	1.98	36.39	2.01	38.86	2.04	40.80	2.09
		70	31.11	1.87	33.04	1.94	34.97	2.01	36.37	2.03	38.83	2.07	40.77	2.11
		75	30.36	1.97	32.28	2.04	34.21	2.12	35.60	2.14	38.07	2.18	39.99	2.23
		80	29.61	2.07	31.53	2.15	33.45	2.23	34.84	2.25	37.30	2.29	39.22	2.34
		85	28.87	2.17	30.78	2.25	32.70	2.33	34.09	2.36	36.54	2.40	38.46	2.45
		90	28.13	2.27	30.04	2.36	31.95	2.44	33.33	2.47	35.78	2.52	37.69	2.57
		95	27.32	2.37	29.22	2.46	31.13	2.55	32.00	2.58	34.93	2.63	36.84	2.68
		100	26.65	2.47	28.56	2.57	30.46	2.66	31.59	2.69	34.27	2.74	36.17	2.80
		105	25.99	2.58	27.89	2.67	29.80	2.77	31.17	2.80	33.60	2.85	35.51	2.91
		110	25.32	2.68	27.23	2.77	29.13	2.88	30.51	2.91	32.94	2.96	34.84	3.02
		115	24.66	2.78	26.56	2.88	28.47	2.98	29.84	3.02	32.27	3.08	34.18	3.14
	118	24.26	2.84	26.16	2.94	28.07	3.05	29.44	3.08	31.87	3.14	33.78	3.21	
	122	24.13	2.92	26.03	3.03	27.93	3.14	29.31	3.17	31.74	3.23	33.64	3.30	
	9 + 12 + 12	14	31.37	1.61	33.32	1.67	35.27	1.73	36.67	1.75	39.16	1.79	41.11	1.82
		20	31.35	1.64	33.29	1.70	35.24	1.76	36.64	1.78	39.13	1.81	41.08	1.85
		25	31.32	1.66	33.27	1.72	35.21	1.78	36.62	1.81	39.10	1.84	41.05	1.88
		30	31.30	1.68	33.24	1.75	35.19	1.81	36.59	1.83	39.07	1.86	41.02	1.90
		35	31.27	1.71	33.22	1.77	35.16	1.83	36.56	1.86	39.04	1.89	40.99	1.93
		40	31.25	1.73	33.19	1.79	35.13	1.86	36.53	1.88	39.01	1.92	40.95	1.95
		45	31.23	1.75	33.17	1.82	35.10	1.88	36.51	1.91	38.98	1.94	40.92	1.98
		50	31.20	1.78	33.14	1.84	35.08	1.91	36.48	1.93	38.95	1.97	40.89	2.01
		55	31.18	1.80	33.11	1.87	35.05	1.93	36.45	1.96	38.92	1.99	40.86	2.03
		60	31.15	1.82	33.09	1.89	35.02	1.96	36.42	1.98	38.89	2.02	40.83	2.06
		65	31.13	1.85	33.06	1.91	35.00	1.98	36.39	2.01	38.86	2.04	40.80	2.09
		70	31.11	1.87	33.04	1.94	34.97	2.01	36.37	2.03	38.83	2.07	40.77	2.11
		75	30.36	1.97	32.28	2.04	34.21	2.12	35.60	2.14	38.07	2.18	39.99	2.23
		80	29.61	2.07	31.53	2.15	33.45	2.23	34.84	2.25	37.30	2.29	39.22	2.34
		85	28.87	2.17	30.78	2.25	32.70	2.33	34.09	2.36	36.54	2.40	38.46	2.45
		90	28.13	2.27	30.04	2.36	31.95	2.44	33.33	2.47	35.78	2.52	37.69	2.57
		95	27.32	2.37	29.22	2.46	31.13	2.55	32.00	2.58	34.93	2.63	36.84	2.68
		100	26.65	2.47	28.56	2.57	30.46	2.66	31.59	2.69	34.27	2.74	36.17	2.80
		105	25.99	2.58	27.89	2.67	29.80	2.77	31.17	2.80	33.60	2.85	35.51	2.91
110		25.32	2.68	27.23	2.77	29.13	2.88	30.51	2.91	32.94	2.96	34.84	3.02	
115		24.66	2.78	26.56	2.88	28.47	2.98	29.84	3.02	32.27	3.08	34.18	3.14	
118	24.26	2.84	26.16	2.94	28.07	3.05	29.44	3.08	31.87	3.14	33.78	3.21		
122	24.13	2.92	26.03	3.03	27.93	3.14	29.31	3.17	31.74	3.23	33.64	3.30		

TC = Total Capacity (kBtu/h).

PI = Power Input (kW).

Nominal capacity as rated: 0 ft. above sea level with 25 ft. of refrigerant piping.
0 ft. level difference between outdoor and indoor units.

Nominal cooling capacity rating obtained with air entering the indoor unit at 80°F dry bulb (DB) and 67°F wet bulb (WB), and outdoor ambient conditions of 95°F dry bulb (DB) and 75°F wet bulb (WB).

The shaded table rows indicate reference data. When operating at this temperature, these values can be different if the system is not running consistently.

Multi F and Multi F MAX Heat Pump System Engineering Manual

Table 88: LMU36CHV Cooling Capacity Table — Non-Ducted Indoor Units (continued).

Connected Indoor Units	Combination Capacity Index	Outdoor Air Temp. (°F DB)	Indoor Air Temp. °F DB / °F WB											
			68 / 57		73 / 61		77 / 64		80 / 67		86 / 72		90 / 75	
			TC	PI	TC	PI	TC	PI	TC	PI	TC	PI	TC	PI
Three (3) Non-Ducted Indoor Units	7 + 9 + 18	14	31.37	1.61	33.32	1.67	35.27	1.73	36.67	1.75	39.16	1.79	41.11	1.82
		20	31.35	1.64	33.29	1.70	35.24	1.76	36.64	1.78	39.13	1.81	41.08	1.85
		25	31.32	1.66	33.27	1.72	35.21	1.78	36.62	1.81	39.10	1.84	41.05	1.88
		30	31.30	1.68	33.24	1.75	35.19	1.81	36.59	1.83	39.07	1.86	41.02	1.90
		35	31.27	1.71	33.22	1.77	35.16	1.83	36.56	1.86	39.04	1.89	40.99	1.93
		40	31.25	1.73	33.19	1.79	35.13	1.86	36.53	1.88	39.01	1.92	40.95	1.95
		45	31.23	1.75	33.17	1.82	35.10	1.88	36.51	1.91	38.98	1.94	40.92	1.98
		50	31.20	1.78	33.14	1.84	35.08	1.91	36.48	1.93	38.95	1.97	40.89	2.01
		55	31.18	1.80	33.11	1.87	35.05	1.93	36.45	1.96	38.92	1.99	40.86	2.03
		60	31.15	1.82	33.09	1.89	35.02	1.96	36.42	1.98	38.89	2.02	40.83	2.06
		65	31.13	1.85	33.06	1.91	35.00	1.98	36.39	2.01	38.86	2.04	40.80	2.09
		70	31.11	1.87	33.04	1.94	34.97	2.01	36.37	2.03	38.83	2.07	40.77	2.11
		75	30.36	1.97	32.28	2.04	34.21	2.12	35.60	2.14	38.07	2.18	39.99	2.23
		80	29.61	2.07	31.53	2.15	33.45	2.23	34.84	2.25	37.30	2.29	39.22	2.34
		85	28.87	2.17	30.78	2.25	32.70	2.33	34.09	2.36	36.54	2.40	38.46	2.45
		90	28.13	2.27	30.04	2.36	31.95	2.44	33.33	2.47	35.78	2.52	37.69	2.57
		95	27.32	2.37	29.22	2.46	31.13	2.55	32.00	2.58	34.93	2.63	36.84	2.68
		100	26.65	2.47	28.56	2.57	30.46	2.66	31.59	2.69	34.27	2.74	36.17	2.80
		105	25.99	2.58	27.89	2.67	29.80	2.77	31.17	2.80	33.60	2.85	35.51	2.91
		110	25.32	2.68	27.23	2.77	29.13	2.88	30.51	2.91	32.94	2.96	34.84	3.02
		115	24.66	2.78	26.56	2.88	28.47	2.98	29.84	3.02	32.27	3.08	34.18	3.14
		118	24.26	2.84	26.16	2.94	28.07	3.05	29.44	3.08	31.87	3.14	33.78	3.21
	122	24.13	2.92	26.03	3.03	27.93	3.14	29.31	3.17	31.74	3.23	33.64	3.30	
	7 + 12 + 15	14	31.37	1.61	33.32	1.67	35.27	1.73	36.67	1.75	39.16	1.79	41.11	1.82
		20	31.35	1.64	33.29	1.70	35.24	1.76	36.64	1.78	39.13	1.81	41.08	1.85
		25	31.32	1.66	33.27	1.72	35.21	1.78	36.62	1.81	39.10	1.84	41.05	1.88
		30	31.30	1.68	33.24	1.75	35.19	1.81	36.59	1.83	39.07	1.86	41.02	1.90
		35	31.27	1.71	33.22	1.77	35.16	1.83	36.56	1.86	39.04	1.89	40.99	1.93
		40	31.25	1.73	33.19	1.79	35.13	1.86	36.53	1.88	39.01	1.92	40.95	1.95
		45	31.23	1.75	33.17	1.82	35.10	1.88	36.51	1.91	38.98	1.94	40.92	1.98
		50	31.20	1.78	33.14	1.84	35.08	1.91	36.48	1.93	38.95	1.97	40.89	2.01
		55	31.18	1.80	33.11	1.87	35.05	1.93	36.45	1.96	38.92	1.99	40.86	2.03
		60	31.15	1.82	33.09	1.89	35.02	1.96	36.42	1.98	38.89	2.02	40.83	2.06
		65	31.13	1.85	33.06	1.91	35.00	1.98	36.39	2.01	38.86	2.04	40.80	2.09
		70	31.11	1.87	33.04	1.94	34.97	2.01	36.37	2.03	38.83	2.07	40.77	2.11
		75	30.36	1.97	32.28	2.04	34.21	2.12	35.60	2.14	38.07	2.18	39.99	2.23
		80	29.61	2.07	31.53	2.15	33.45	2.23	34.84	2.25	37.30	2.29	39.22	2.34
		85	28.87	2.17	30.78	2.25	32.70	2.33	34.09	2.36	36.54	2.40	38.46	2.45
		90	28.13	2.27	30.04	2.36	31.95	2.44	33.33	2.47	35.78	2.52	37.69	2.57
		95	27.32	2.37	29.22	2.46	31.13	2.55	32.00	2.58	34.93	2.63	36.84	2.68
		100	26.65	2.47	28.56	2.57	30.46	2.66	31.59	2.69	34.27	2.74	36.17	2.80
		105	25.99	2.58	27.89	2.67	29.80	2.77	31.17	2.80	33.60	2.85	35.51	2.91
110		25.32	2.68	27.23	2.77	29.13	2.88	30.51	2.91	32.94	2.96	34.84	3.02	
115		24.66	2.78	26.56	2.88	28.47	2.98	29.84	3.02	32.27	3.08	34.18	3.14	
118		24.26	2.84	26.16	2.94	28.07	3.05	29.44	3.08	31.87	3.14	33.78	3.21	
122	24.13	2.92	26.03	3.03	27.93	3.14	29.31	3.17	31.74	3.23	33.64	3.30		

TC = Total Capacity (kBtu/h).

PI = Power Input (kW).

Nominal capacity as rated: 0 ft. above sea level with 25 ft. of refrigerant piping.
0 ft. level difference between outdoor and indoor units.

Nominal cooling capacity rating obtained with air entering the indoor unit at 80°F dry bulb (DB) and 67°F wet bulb (WB), and outdoor ambient conditions of 95°F dry bulb (DB) and 75°F wet bulb (WB).

The shaded table rows indicate reference data. When operating at this temperature, these values can be different if the system is not running consistently.

PERFORMANCE DATA

Cooling Capacity Tables

MULTI F
MULTI F MAX

Table 89: LMU36CHV Cooling Capacity Table — Non-Ducted Indoor Units (continued).

Connected Indoor Units	Combination Capacity Index	Outdoor Air Temp. (°F DB)	Indoor Air Temp. °F DB / °F WB											
			68 / 57		73 / 61		77 / 64		80 / 67		86 / 72		90 / 75	
			TC	PI	TC	PI	TC	PI	TC	PI	TC	PI	TC	PI
Three (3) Non-Ducted Indoor Units	9 + 9 + 18	14	31.37	1.61	33.32	1.67	35.27	1.73	36.67	1.75	39.16	1.79	41.11	1.82
		20	31.35	1.64	33.29	1.70	35.24	1.76	36.64	1.78	39.13	1.81	41.08	1.85
		25	31.32	1.66	33.27	1.72	35.21	1.78	36.62	1.81	39.10	1.84	41.05	1.88
		30	31.30	1.68	33.24	1.75	35.19	1.81	36.59	1.83	39.07	1.86	41.02	1.90
		35	31.27	1.71	33.22	1.77	35.16	1.83	36.56	1.86	39.04	1.89	40.99	1.93
		40	31.25	1.73	33.19	1.79	35.13	1.86	36.53	1.88	39.01	1.92	40.95	1.95
		45	31.23	1.75	33.17	1.82	35.10	1.88	36.51	1.91	38.98	1.94	40.92	1.98
		50	31.20	1.78	33.14	1.84	35.08	1.91	36.48	1.93	38.95	1.97	40.89	2.01
		55	31.18	1.80	33.11	1.87	35.05	1.93	36.45	1.96	38.92	1.99	40.86	2.03
		60	31.15	1.82	33.09	1.89	35.02	1.96	36.42	1.98	38.89	2.02	40.83	2.06
		65	31.13	1.85	33.06	1.91	35.00	1.98	36.39	2.01	38.86	2.04	40.80	2.09
		70	31.11	1.87	33.04	1.94	34.97	2.01	36.37	2.03	38.83	2.07	40.77	2.11
		75	30.36	1.97	32.28	2.04	34.21	2.12	35.60	2.14	38.07	2.18	39.99	2.23
		80	29.61	2.07	31.53	2.15	33.45	2.23	34.84	2.25	37.30	2.29	39.22	2.34
		85	28.87	2.17	30.78	2.25	32.70	2.33	34.09	2.36	36.54	2.40	38.46	2.45
		90	28.13	2.27	30.04	2.36	31.95	2.44	33.33	2.47	35.78	2.52	37.69	2.57
		95	27.32	2.37	29.22	2.46	31.13	2.55	32.00	2.58	34.93	2.63	36.84	2.68
		100	26.65	2.47	28.56	2.57	30.46	2.66	31.59	2.69	34.27	2.74	36.17	2.80
		105	25.99	2.58	27.89	2.67	29.80	2.77	31.17	2.80	33.60	2.85	35.51	2.91
		110	25.32	2.68	27.23	2.77	29.13	2.88	30.51	2.91	32.94	2.96	34.84	3.02
		115	24.66	2.78	26.56	2.88	28.47	2.98	29.84	3.02	32.27	3.08	34.18	3.14
	118	24.26	2.84	26.16	2.94	28.07	3.05	29.44	3.08	31.87	3.14	33.78	3.21	
	122	24.13	2.92	26.03	3.03	27.93	3.14	29.31	3.17	31.74	3.23	33.64	3.30	
	9 + 12 + 15	14	31.37	1.61	33.32	1.67	35.27	1.73	36.67	1.75	39.16	1.79	41.11	1.82
		20	31.35	1.64	33.29	1.70	35.24	1.76	36.64	1.78	39.13	1.81	41.08	1.85
		25	31.32	1.66	33.27	1.72	35.21	1.78	36.62	1.81	39.10	1.84	41.05	1.88
		30	31.30	1.68	33.24	1.75	35.19	1.81	36.59	1.83	39.07	1.86	41.02	1.90
		35	31.27	1.71	33.22	1.77	35.16	1.83	36.56	1.86	39.04	1.89	40.99	1.93
		40	31.25	1.73	33.19	1.79	35.13	1.86	36.53	1.88	39.01	1.92	40.95	1.95
		45	31.23	1.75	33.17	1.82	35.10	1.88	36.51	1.91	38.98	1.94	40.92	1.98
		50	31.20	1.78	33.14	1.84	35.08	1.91	36.48	1.93	38.95	1.97	40.89	2.01
		55	31.18	1.80	33.11	1.87	35.05	1.93	36.45	1.96	38.92	1.99	40.86	2.03
		60	31.15	1.82	33.09	1.89	35.02	1.96	36.42	1.98	38.89	2.02	40.83	2.06
		65	31.13	1.85	33.06	1.91	35.00	1.98	36.39	2.01	38.86	2.04	40.80	2.09
		70	31.11	1.87	33.04	1.94	34.97	2.01	36.37	2.03	38.83	2.07	40.77	2.11
		75	30.36	1.97	32.28	2.04	34.21	2.12	35.60	2.14	38.07	2.18	39.99	2.23
		80	29.61	2.07	31.53	2.15	33.45	2.23	34.84	2.25	37.30	2.29	39.22	2.34
		85	28.87	2.17	30.78	2.25	32.70	2.33	34.09	2.36	36.54	2.40	38.46	2.45
		90	28.13	2.27	30.04	2.36	31.95	2.44	33.33	2.47	35.78	2.52	37.69	2.57
		95	27.32	2.37	29.22	2.46	31.13	2.55	32.00	2.58	34.93	2.63	36.84	2.68
		100	26.65	2.47	28.56	2.57	30.46	2.66	31.59	2.69	34.27	2.74	36.17	2.80
		105	25.99	2.58	27.89	2.67	29.80	2.77	31.17	2.80	33.60	2.85	35.51	2.91
110		25.32	2.68	27.23	2.77	29.13	2.88	30.51	2.91	32.94	2.96	34.84	3.02	
115		24.66	2.78	26.56	2.88	28.47	2.98	29.84	3.02	32.27	3.08	34.18	3.14	
118	24.26	2.84	26.16	2.94	28.07	3.05	29.44	3.08	31.87	3.14	33.78	3.21		
122	24.13	2.92	26.03	3.03	27.93	3.14	29.31	3.17	31.74	3.23	33.64	3.30		

TC = Total Capacity (kBtu/h).

PI = Power Input (kW).

Nominal capacity as rated: 0 ft. above sea level with 25 ft. of refrigerant piping.
0 ft. level difference between outdoor and indoor units.

Nominal cooling capacity rating obtained with air entering the indoor unit at 80°F dry bulb (DB) and 67°F wet bulb (WB), and outdoor ambient conditions of 95°F dry bulb (DB) and 75°F wet bulb (WB).

The shaded table rows indicate reference data. When operating at this temperature, these values can be different if the system is not running consistently.

Multi F and Multi F MAX Heat Pump System Engineering Manual

Table 90: LMU36CHV Cooling Capacity Table — Non-Ducted Indoor Units (continued).

Connected Indoor Units	Combination Capacity Index	Outdoor Air Temp. (°F DB)	Indoor Air Temp. °F DB / °F WB											
			68 / 57		73 / 61		77 / 64		80 / 67		86 / 72		90 / 75	
			TC	PI	TC	PI	TC	PI	TC	PI	TC	PI	TC	PI
Three (3) Non-Ducted Indoor Units	12 + 12 + 12	14	31.37	1.61	33.32	1.67	35.27	1.73	36.67	1.75	39.16	1.79	41.11	1.82
		20	31.35	1.64	33.29	1.70	35.24	1.76	36.64	1.78	39.13	1.81	41.08	1.85
		25	31.32	1.66	33.27	1.72	35.21	1.78	36.62	1.81	39.10	1.84	41.05	1.88
		30	31.30	1.68	33.24	1.75	35.19	1.81	36.59	1.83	39.07	1.86	41.02	1.90
		35	31.27	1.71	33.22	1.77	35.16	1.83	36.56	1.86	39.04	1.89	40.99	1.93
		40	31.25	1.73	33.19	1.79	35.13	1.86	36.53	1.88	39.01	1.92	40.95	1.95
		45	31.23	1.75	33.17	1.82	35.10	1.88	36.51	1.91	38.98	1.94	40.92	1.98
		50	31.20	1.78	33.14	1.84	35.08	1.91	36.48	1.93	38.95	1.97	40.89	2.01
		55	31.18	1.80	33.11	1.87	35.05	1.93	36.45	1.96	38.92	1.99	40.86	2.03
		60	31.15	1.82	33.09	1.89	35.02	1.96	36.42	1.98	38.89	2.02	40.83	2.06
		65	31.13	1.85	33.06	1.91	35.00	1.98	36.39	2.01	38.86	2.04	40.80	2.09
		70	31.11	1.87	33.04	1.94	34.97	2.01	36.37	2.03	38.83	2.07	40.77	2.11
		75	30.36	1.97	32.28	2.04	34.21	2.12	35.60	2.14	38.07	2.18	39.99	2.23
		80	29.61	2.07	31.53	2.15	33.45	2.23	34.84	2.25	37.30	2.29	39.22	2.34
		85	28.87	2.17	30.78	2.25	32.70	2.33	34.09	2.36	36.54	2.40	38.46	2.45
		90	28.13	2.27	30.04	2.36	31.95	2.44	33.33	2.47	35.78	2.52	37.69	2.57
		95	27.32	2.37	29.22	2.46	31.13	2.55	32.00	2.58	34.93	2.63	36.84	2.68
		100	26.65	2.47	28.56	2.57	30.46	2.66	31.59	2.69	34.27	2.74	36.17	2.80
		105	25.99	2.58	27.89	2.67	29.80	2.77	31.17	2.80	33.60	2.85	35.51	2.91
		110	25.32	2.68	27.23	2.77	29.13	2.88	30.51	2.91	32.94	2.96	34.84	3.02
		115	24.66	2.78	26.56	2.88	28.47	2.98	29.84	3.02	32.27	3.08	34.18	3.14
	118	24.26	2.84	26.16	2.94	28.07	3.05	29.44	3.08	31.87	3.14	33.78	3.21	
	122	24.13	2.92	26.03	3.03	27.93	3.14	29.31	3.17	31.74	3.23	33.64	3.30	
	7 + 12 + 18	14	31.37	1.61	33.32	1.67	35.27	1.73	36.67	1.75	39.16	1.79	41.11	1.82
		20	31.35	1.64	33.29	1.70	35.24	1.76	36.64	1.78	39.13	1.81	41.08	1.85
		25	31.32	1.66	33.27	1.72	35.21	1.78	36.62	1.81	39.10	1.84	41.05	1.88
		30	31.30	1.68	33.24	1.75	35.19	1.81	36.59	1.83	39.07	1.86	41.02	1.90
		35	31.27	1.71	33.22	1.77	35.16	1.83	36.56	1.86	39.04	1.89	40.99	1.93
		40	31.25	1.73	33.19	1.79	35.13	1.86	36.53	1.88	39.01	1.92	40.95	1.95
		45	31.23	1.75	33.17	1.82	35.10	1.88	36.51	1.91	38.98	1.94	40.92	1.98
		50	31.20	1.78	33.14	1.84	35.08	1.91	36.48	1.93	38.95	1.97	40.89	2.01
		55	31.18	1.80	33.11	1.87	35.05	1.93	36.45	1.96	38.92	1.99	40.86	2.03
		60	31.15	1.82	33.09	1.89	35.02	1.96	36.42	1.98	38.89	2.02	40.83	2.06
		65	31.13	1.85	33.06	1.91	35.00	1.98	36.39	2.01	38.86	2.04	40.80	2.09
		70	31.11	1.87	33.04	1.94	34.97	2.01	36.37	2.03	38.83	2.07	40.77	2.11
		75	30.36	1.97	32.28	2.04	34.21	2.12	35.60	2.14	38.07	2.18	39.99	2.23
		80	29.61	2.07	31.53	2.15	33.45	2.23	34.84	2.25	37.30	2.29	39.22	2.34
		85	28.87	2.17	30.78	2.25	32.70	2.33	34.09	2.36	36.54	2.40	38.46	2.45
		90	28.13	2.27	30.04	2.36	31.95	2.44	33.33	2.47	35.78	2.52	37.69	2.57
		95	27.32	2.37	29.22	2.46	31.13	2.55	32.00	2.58	34.93	2.63	36.84	2.68
		100	26.65	2.47	28.56	2.57	30.46	2.66	31.59	2.69	34.27	2.74	36.17	2.80
		105	25.99	2.58	27.89	2.67	29.80	2.77	31.17	2.80	33.60	2.85	35.51	2.91
110		25.32	2.68	27.23	2.77	29.13	2.88	30.51	2.91	32.94	2.96	34.84	3.02	
115		24.66	2.78	26.56	2.88	28.47	2.98	29.84	3.02	32.27	3.08	34.18	3.14	
118	24.26	2.84	26.16	2.94	28.07	3.05	29.44	3.08	31.87	3.14	33.78	3.21		
122	24.13	2.92	26.03	3.03	27.93	3.14	29.31	3.17	31.74	3.23	33.64	3.30		

TC = Total Capacity (kBtu/h).

PI = Power Input (kW).

Nominal capacity as rated: 0 ft. above sea level with 25 ft. of refrigerant piping.
0 ft. level difference between outdoor and indoor units.

Nominal cooling capacity rating obtained with air entering the indoor unit at 80°F dry bulb (DB) and 67°F wet bulb (WB), and outdoor ambient conditions of 95°F dry bulb (DB) and 75°F wet bulb (WB).

The shaded table rows indicate reference data. When operating at this temperature, these values can be different if the system is not running consistently.

PERFORMANCE DATA

Cooling Capacity Tables

MULTI F
MULTI F MAX

Table 91: LMU36CHV Cooling Capacity Table — Non-Ducted Indoor Units (continued).

Connected Indoor Units	Combination Capacity Index	Outdoor Air Temp. (°F DB)	Indoor Air Temp. °F DB / °F WB											
			68 / 57		73 / 61		77 / 64		80 / 67		86 / 72		90 / 75	
			TC	PI	TC	PI	TC	PI	TC	PI	TC	PI	TC	PI
Three (3) Non-Ducted Indoor Units	7 + 15 + 15	14	31.37	1.61	33.32	1.67	35.27	1.73	36.67	1.75	39.16	1.79	41.11	1.82
		20	31.35	1.64	33.29	1.70	35.24	1.76	36.64	1.78	39.13	1.81	41.08	1.85
		25	31.32	1.66	33.27	1.72	35.21	1.78	36.62	1.81	39.10	1.84	41.05	1.88
		30	31.30	1.68	33.24	1.75	35.19	1.81	36.59	1.83	39.07	1.86	41.02	1.90
		35	31.27	1.71	33.22	1.77	35.16	1.83	36.56	1.86	39.04	1.89	40.99	1.93
		40	31.25	1.73	33.19	1.79	35.13	1.86	36.53	1.88	39.01	1.92	40.95	1.95
		45	31.23	1.75	33.17	1.82	35.10	1.88	36.51	1.91	38.98	1.94	40.92	1.98
		50	31.20	1.78	33.14	1.84	35.08	1.91	36.48	1.93	38.95	1.97	40.89	2.01
		55	31.18	1.80	33.11	1.87	35.05	1.93	36.45	1.96	38.92	1.99	40.86	2.03
		60	31.15	1.82	33.09	1.89	35.02	1.96	36.42	1.98	38.89	2.02	40.83	2.06
		65	31.13	1.85	33.06	1.91	35.00	1.98	36.39	2.01	38.86	2.04	40.80	2.09
		70	31.11	1.87	33.04	1.94	34.97	2.01	36.37	2.03	38.83	2.07	40.77	2.11
		75	30.36	1.97	32.28	2.04	34.21	2.12	35.60	2.14	38.07	2.18	39.99	2.23
		80	29.61	2.07	31.53	2.15	33.45	2.23	34.84	2.25	37.30	2.29	39.22	2.34
		85	28.87	2.17	30.78	2.25	32.70	2.33	34.09	2.36	36.54	2.40	38.46	2.45
		90	28.13	2.27	30.04	2.36	31.95	2.44	33.33	2.47	35.78	2.52	37.69	2.57
		95	27.32	2.37	29.22	2.46	31.13	2.55	32.00	2.58	34.93	2.63	36.84	2.68
		100	26.65	2.47	28.56	2.57	30.46	2.66	31.59	2.69	34.27	2.74	36.17	2.80
		105	25.99	2.58	27.89	2.67	29.80	2.77	31.17	2.80	33.60	2.85	35.51	2.91
		110	25.32	2.68	27.23	2.77	29.13	2.88	30.51	2.91	32.94	2.96	34.84	3.02
		115	24.66	2.78	26.56	2.88	28.47	2.98	29.84	3.02	32.27	3.08	34.18	3.14
	118	24.26	2.84	26.16	2.94	28.07	3.05	29.44	3.08	31.87	3.14	33.78	3.21	
	122	24.13	2.92	26.03	3.03	27.93	3.14	29.31	3.17	31.74	3.23	33.64	3.30	
	7 + 7 + 24	14	31.37	1.61	33.32	1.67	35.27	1.73	36.67	1.75	39.16	1.79	41.11	1.82
		20	31.35	1.64	33.29	1.70	35.24	1.76	36.64	1.78	39.13	1.81	41.08	1.85
		25	31.32	1.66	33.27	1.72	35.21	1.78	36.62	1.81	39.10	1.84	41.05	1.88
		30	31.30	1.68	33.24	1.75	35.19	1.81	36.59	1.83	39.07	1.86	41.02	1.90
		35	31.27	1.71	33.22	1.77	35.16	1.83	36.56	1.86	39.04	1.89	40.99	1.93
		40	31.25	1.73	33.19	1.79	35.13	1.86	36.53	1.88	39.01	1.92	40.95	1.95
		45	31.23	1.75	33.17	1.82	35.10	1.88	36.51	1.91	38.98	1.94	40.92	1.98
		50	31.20	1.78	33.14	1.84	35.08	1.91	36.48	1.93	38.95	1.97	40.89	2.01
		55	31.18	1.80	33.11	1.87	35.05	1.93	36.45	1.96	38.92	1.99	40.86	2.03
		60	31.15	1.82	33.09	1.89	35.02	1.96	36.42	1.98	38.89	2.02	40.83	2.06
		65	31.13	1.85	33.06	1.91	35.00	1.98	36.39	2.01	38.86	2.04	40.80	2.09
		70	31.11	1.87	33.04	1.94	34.97	2.01	36.37	2.03	38.83	2.07	40.77	2.11
		75	30.36	1.97	32.28	2.04	34.21	2.12	35.60	2.14	38.07	2.18	39.99	2.23
		80	29.61	2.07	31.53	2.15	33.45	2.23	34.84	2.25	37.30	2.29	39.22	2.34
		85	28.87	2.17	30.78	2.25	32.70	2.33	34.09	2.36	36.54	2.40	38.46	2.45
		90	28.13	2.27	30.04	2.36	31.95	2.44	33.33	2.47	35.78	2.52	37.69	2.57
		95	27.32	2.37	29.22	2.46	31.13	2.55	32.00	2.58	34.93	2.63	36.84	2.68
		100	26.65	2.47	28.56	2.57	30.46	2.66	31.59	2.69	34.27	2.74	36.17	2.80
		105	25.99	2.58	27.89	2.67	29.80	2.77	31.17	2.80	33.60	2.85	35.51	2.91
110		25.32	2.68	27.23	2.77	29.13	2.88	30.51	2.91	32.94	2.96	34.84	3.02	
115		24.66	2.78	26.56	2.88	28.47	2.98	29.84	3.02	32.27	3.08	34.18	3.14	
118	24.26	2.84	26.16	2.94	28.07	3.05	29.44	3.08	31.87	3.14	33.78	3.21		
122	24.13	2.92	26.03	3.03	27.93	3.14	29.31	3.17	31.74	3.23	33.64	3.30		

TC = Total Capacity (kBtu/h).

PI = Power Input (kW).

Nominal capacity as rated: 0 ft. above sea level with 25 ft. of refrigerant piping.
0 ft. level difference between outdoor and indoor units.

Nominal cooling capacity rating obtained with air entering the indoor unit at 80°F dry bulb (DB) and 67°F wet bulb (WB), and outdoor ambient conditions of 95°F dry bulb (DB) and 75°F wet bulb (WB).

The shaded table rows indicate reference data. When operating at this temperature, these values can be different if the system is not running consistently.

Multi F and Multi F MAX Heat Pump System Engineering Manual

Table 92: LMU36CHV Cooling Capacity Table — Non-Ducted Indoor Units (continued).

Connected Indoor Units	Combination Capacity Index	Outdoor Air Temp. (°F DB)	Indoor Air Temp. °F DB / °F WB												
			68 / 57		73 / 61		77 / 64		80 / 67		86 / 72		90 / 75		
			TC	PI	TC	PI	TC	PI	TC	PI	TC	PI	TC	PI	
Three (3) Non-Ducted Indoor Units	9 + 12 + 18	14	31.37	1.61	33.32	1.67	35.27	1.73	36.67	1.75	39.16	1.79	41.11	1.82	
		20	31.35	1.64	33.29	1.70	35.24	1.76	36.64	1.78	39.13	1.81	41.08	1.85	
		25	31.32	1.66	33.27	1.72	35.21	1.78	36.62	1.81	39.10	1.84	41.05	1.88	
		30	31.30	1.68	33.24	1.75	35.19	1.81	36.59	1.83	39.07	1.86	41.02	1.90	
		35	31.27	1.71	33.22	1.77	35.16	1.83	36.56	1.86	39.04	1.89	40.99	1.93	
		40	31.25	1.73	33.19	1.79	35.13	1.86	36.53	1.88	39.01	1.92	40.95	1.95	
		45	31.23	1.75	33.17	1.82	35.10	1.88	36.51	1.91	38.98	1.94	40.92	1.98	
		50	31.20	1.78	33.14	1.84	35.08	1.91	36.48	1.93	38.95	1.97	40.89	2.01	
		55	31.18	1.80	33.11	1.87	35.05	1.93	36.45	1.96	38.92	1.99	40.86	2.03	
		60	31.15	1.82	33.09	1.89	35.02	1.96	36.42	1.98	38.89	2.02	40.83	2.06	
		65	31.13	1.85	33.06	1.91	35.00	1.98	36.39	2.01	38.86	2.04	40.80	2.09	
		70	31.11	1.87	33.04	1.94	34.97	2.01	36.37	2.03	38.83	2.07	40.77	2.11	
		75	30.36	1.97	32.28	2.04	34.21	2.12	35.60	2.14	38.07	2.18	39.99	2.23	
		80	29.61	2.07	31.53	2.15	33.45	2.23	34.84	2.25	37.30	2.29	39.22	2.34	
		85	28.87	2.17	30.78	2.25	32.70	2.33	34.09	2.36	36.54	2.40	38.46	2.45	
		90	28.13	2.27	30.04	2.36	31.95	2.44	33.33	2.47	35.78	2.52	37.69	2.57	
		95	27.32	2.37	29.22	2.46	31.13	2.55	32.00	2.58	34.93	2.63	36.84	2.68	
		100	26.65	2.47	28.56	2.57	30.46	2.66	31.59	2.69	34.27	2.74	36.17	2.80	
		105	25.99	2.58	27.89	2.67	29.80	2.77	31.17	2.80	33.60	2.85	35.51	2.91	
		110	25.32	2.68	27.23	2.77	29.13	2.88	30.51	2.91	32.94	2.96	34.84	3.02	
		115	24.66	2.78	26.56	2.88	28.47	2.98	29.84	3.02	32.27	3.08	34.18	3.14	
		118	24.26	2.84	26.16	2.94	28.07	3.05	29.44	3.08	31.87	3.14	33.78	3.21	
	122	24.13	2.92	26.03	3.03	27.93	3.14	29.31	3.17	31.74	3.23	33.64	3.30		
		9 + 15 + 15	14	31.37	1.61	33.32	1.67	35.27	1.73	36.67	1.75	39.16	1.79	41.11	1.82
	20		31.35	1.64	33.29	1.70	35.24	1.76	36.64	1.78	39.13	1.81	41.08	1.85	
	25		31.32	1.66	33.27	1.72	35.21	1.78	36.62	1.81	39.10	1.84	41.05	1.88	
	30		31.30	1.68	33.24	1.75	35.19	1.81	36.59	1.83	39.07	1.86	41.02	1.90	
	35		31.27	1.71	33.22	1.77	35.16	1.83	36.56	1.86	39.04	1.89	40.99	1.93	
	40		31.25	1.73	33.19	1.79	35.13	1.86	36.53	1.88	39.01	1.92	40.95	1.95	
	45		31.23	1.75	33.17	1.82	35.10	1.88	36.51	1.91	38.98	1.94	40.92	1.98	
	50		31.20	1.78	33.14	1.84	35.08	1.91	36.48	1.93	38.95	1.97	40.89	2.01	
	55		31.18	1.80	33.11	1.87	35.05	1.93	36.45	1.96	38.92	1.99	40.86	2.03	
	60		31.15	1.82	33.09	1.89	35.02	1.96	36.42	1.98	38.89	2.02	40.83	2.06	
	65		31.13	1.85	33.06	1.91	35.00	1.98	36.39	2.01	38.86	2.04	40.80	2.09	
	70		31.11	1.87	33.04	1.94	34.97	2.01	36.37	2.03	38.83	2.07	40.77	2.11	
	75		30.36	1.97	32.28	2.04	34.21	2.12	35.60	2.14	38.07	2.18	39.99	2.23	
	80		29.61	2.07	31.53	2.15	33.45	2.23	34.84	2.25	37.30	2.29	39.22	2.34	
	85		28.87	2.17	30.78	2.25	32.70	2.33	34.09	2.36	36.54	2.40	38.46	2.45	
	90		28.13	2.27	30.04	2.36	31.95	2.44	33.33	2.47	35.78	2.52	37.69	2.57	
	95		27.32	2.37	29.22	2.46	31.13	2.55	32.00	2.58	34.93	2.63	36.84	2.68	
	100		26.65	2.47	28.56	2.57	30.46	2.66	31.59	2.69	34.27	2.74	36.17	2.80	
	105		25.99	2.58	27.89	2.67	29.80	2.77	31.17	2.80	33.60	2.85	35.51	2.91	
110	25.32		2.68	27.23	2.77	29.13	2.88	30.51	2.91	32.94	2.96	34.84	3.02		
115	24.66		2.78	26.56	2.88	28.47	2.98	29.84	3.02	32.27	3.08	34.18	3.14		
118	24.26		2.84	26.16	2.94	28.07	3.05	29.44	3.08	31.87	3.14	33.78	3.21		
122	24.13	2.92	26.03	3.03	27.93	3.14	29.31	3.17	31.74	3.23	33.64	3.30			

TC = Total Capacity (kBtu/h).

PI = Power Input (kW).

Nominal capacity as rated: 0 ft. above sea level with 25 ft. of refrigerant piping.
0 ft. level difference between outdoor and indoor units.

Nominal cooling capacity rating obtained with air entering the indoor unit at 80°F dry bulb (DB) and 67°F wet bulb (WB), and outdoor ambient conditions of 95°F dry bulb (DB) and 75°F wet bulb (WB).

The shaded table rows indicate reference data. When operating at this temperature, these values can be different if the system is not running consistently.

PERFORMANCE DATA

Cooling Capacity Tables

MULTI F
MULTI F MAX

Table 93: LMU36CHV Cooling Capacity Table — Non-Ducted Indoor Units (continued).

Connected Indoor Units	Combination Capacity Index	Outdoor Air Temp. (°F DB)	Indoor Air Temp. °F DB / °F WB											
			68 / 57		73 / 61		77 / 64		80 / 67		86 / 72		90 / 75	
			TC	PI	TC	PI	TC	PI	TC	PI	TC	PI	TC	PI
Three (3) Non-Ducted Indoor Units	12 + 12 + 15	14	31.37	1.61	33.32	1.67	35.27	1.73	36.67	1.75	39.16	1.79	41.11	1.82
		20	31.35	1.64	33.29	1.70	35.24	1.76	36.64	1.78	39.13	1.81	41.08	1.85
		25	31.32	1.66	33.27	1.72	35.21	1.78	36.62	1.81	39.10	1.84	41.05	1.88
		30	31.30	1.68	33.24	1.75	35.19	1.81	36.59	1.83	39.07	1.86	41.02	1.90
		35	31.27	1.71	33.22	1.77	35.16	1.83	36.56	1.86	39.04	1.89	40.99	1.93
		40	31.25	1.73	33.19	1.79	35.13	1.86	36.53	1.88	39.01	1.92	40.95	1.95
		45	31.23	1.75	33.17	1.82	35.10	1.88	36.51	1.91	38.98	1.94	40.92	1.98
		50	31.20	1.78	33.14	1.84	35.08	1.91	36.48	1.93	38.95	1.97	40.89	2.01
		55	31.18	1.80	33.11	1.87	35.05	1.93	36.45	1.96	38.92	1.99	40.86	2.03
		60	31.15	1.82	33.09	1.89	35.02	1.96	36.42	1.98	38.89	2.02	40.83	2.06
		65	31.13	1.85	33.06	1.91	35.00	1.98	36.39	2.01	38.86	2.04	40.80	2.09
		70	31.11	1.87	33.04	1.94	34.97	2.01	36.37	2.03	38.83	2.07	40.77	2.11
		75	30.36	1.97	32.28	2.04	34.21	2.12	35.60	2.14	38.07	2.18	39.99	2.23
		80	29.61	2.07	31.53	2.15	33.45	2.23	34.84	2.25	37.30	2.29	39.22	2.34
		85	28.87	2.17	30.78	2.25	32.70	2.33	34.09	2.36	36.54	2.40	38.46	2.45
		90	28.13	2.27	30.04	2.36	31.95	2.44	33.33	2.47	35.78	2.52	37.69	2.57
		95	27.32	2.37	29.22	2.46	31.13	2.55	32.00	2.58	34.93	2.63	36.84	2.68
		100	26.65	2.47	28.56	2.57	30.46	2.66	31.59	2.69	34.27	2.74	36.17	2.80
		105	25.99	2.58	27.89	2.67	29.80	2.77	31.17	2.80	33.60	2.85	35.51	2.91
		110	25.32	2.68	27.23	2.77	29.13	2.88	30.51	2.91	32.94	2.96	34.84	3.02
		115	24.66	2.78	26.56	2.88	28.47	2.98	29.84	3.02	32.27	3.08	34.18	3.14
	118	24.26	2.84	26.16	2.94	28.07	3.05	29.44	3.08	31.87	3.14	33.78	3.21	
	122	24.13	2.92	26.03	3.03	27.93	3.14	29.31	3.17	31.74	3.23	33.64	3.30	
	7 + 9 + 24	14	31.37	1.61	33.32	1.67	35.27	1.73	36.67	1.75	39.16	1.79	41.11	1.82
		20	31.35	1.64	33.29	1.70	35.24	1.76	36.64	1.78	39.13	1.81	41.08	1.85
		25	31.32	1.66	33.27	1.72	35.21	1.78	36.62	1.81	39.10	1.84	41.05	1.88
		30	31.30	1.68	33.24	1.75	35.19	1.81	36.59	1.83	39.07	1.86	41.02	1.90
		35	31.27	1.71	33.22	1.77	35.16	1.83	36.56	1.86	39.04	1.89	40.99	1.93
		40	31.25	1.73	33.19	1.79	35.13	1.86	36.53	1.88	39.01	1.92	40.95	1.95
		45	31.23	1.75	33.17	1.82	35.10	1.88	36.51	1.91	38.98	1.94	40.92	1.98
		50	31.20	1.78	33.14	1.84	35.08	1.91	36.48	1.93	38.95	1.97	40.89	2.01
		55	31.18	1.80	33.11	1.87	35.05	1.93	36.45	1.96	38.92	1.99	40.86	2.03
		60	31.15	1.82	33.09	1.89	35.02	1.96	36.42	1.98	38.89	2.02	40.83	2.06
		65	31.13	1.85	33.06	1.91	35.00	1.98	36.39	2.01	38.86	2.04	40.80	2.09
		70	31.11	1.87	33.04	1.94	34.97	2.01	36.37	2.03	38.83	2.07	40.77	2.11
		75	30.36	1.97	32.28	2.04	34.21	2.12	35.60	2.14	38.07	2.18	39.99	2.23
		80	29.61	2.07	31.53	2.15	33.45	2.23	34.84	2.25	37.30	2.29	39.22	2.34
		85	28.87	2.17	30.78	2.25	32.70	2.33	34.09	2.36	36.54	2.40	38.46	2.45
		90	28.13	2.27	30.04	2.36	31.95	2.44	33.33	2.47	35.78	2.52	37.69	2.57
		95	27.32	2.37	29.22	2.46	31.13	2.55	32.00	2.58	34.93	2.63	36.84	2.68
		100	26.65	2.47	28.56	2.57	30.46	2.66	31.59	2.69	34.27	2.74	36.17	2.80
		105	25.99	2.58	27.89	2.67	29.80	2.77	31.17	2.80	33.60	2.85	35.51	2.91
110		25.32	2.68	27.23	2.77	29.13	2.88	30.51	2.91	32.94	2.96	34.84	3.02	
115		24.66	2.78	26.56	2.88	28.47	2.98	29.84	3.02	32.27	3.08	34.18	3.14	
118	24.26	2.84	26.16	2.94	28.07	3.05	29.44	3.08	31.87	3.14	33.78	3.21		
122	24.13	2.92	26.03	3.03	27.93	3.14	29.31	3.17	31.74	3.23	33.64	3.30		

TC = Total Capacity (kBtu/h).

PI = Power Input (kW).

Nominal capacity as rated: 0 ft. above sea level with 25 ft. of refrigerant piping.
0 ft. level difference between outdoor and indoor units.

Nominal cooling capacity rating obtained with air entering the indoor unit at 80°F dry bulb (DB) and 67°F wet bulb (WB), and outdoor ambient conditions of 95°F dry bulb (DB) and 75°F wet bulb (WB).

The shaded table rows indicate reference data. When operating at this temperature, these values can be different if the system is not running consistently.

Table 94: LMU36CHV Cooling Capacity Table — Non-Ducted Indoor Units (continued).

Connected Indoor Units	Combination Capacity Index	Outdoor Air Temp. (°F DB)	Indoor Air Temp. °F DB / °F WB											
			68 / 57		73 / 61		77 / 64		80 / 67		86 / 72		90 / 75	
			TC	PI	TC	PI	TC	PI	TC	PI	TC	PI	TC	PI
Three (3) Non-Ducted Indoor Units	7 + 15 + 18	14	31.37	1.61	33.32	1.67	35.27	1.73	36.67	1.75	39.16	1.79	41.11	1.82
		20	31.35	1.64	33.29	1.70	35.24	1.76	36.64	1.78	39.13	1.81	41.08	1.85
		25	31.32	1.66	33.27	1.72	35.21	1.78	36.62	1.81	39.10	1.84	41.05	1.88
		30	31.30	1.68	33.24	1.75	35.19	1.81	36.59	1.83	39.07	1.86	41.02	1.90
		35	31.27	1.71	33.22	1.77	35.16	1.83	36.56	1.86	39.04	1.89	40.99	1.93
		40	31.25	1.73	33.19	1.79	35.13	1.86	36.53	1.88	39.01	1.92	40.95	1.95
		45	31.23	1.75	33.17	1.82	35.10	1.88	36.51	1.91	38.98	1.94	40.92	1.98
		50	31.20	1.78	33.14	1.84	35.08	1.91	36.48	1.93	38.95	1.97	40.89	2.01
		55	31.18	1.80	33.11	1.87	35.05	1.93	36.45	1.96	38.92	1.99	40.86	2.03
		60	31.15	1.82	33.09	1.89	35.02	1.96	36.42	1.98	38.89	2.02	40.83	2.06
		65	31.13	1.85	33.06	1.91	35.00	1.98	36.39	2.01	38.86	2.04	40.80	2.09
		70	31.11	1.87	33.04	1.94	34.97	2.01	36.37	2.03	38.83	2.07	40.77	2.11
		75	30.36	1.97	32.28	2.04	34.21	2.12	35.60	2.14	38.07	2.18	39.99	2.23
		80	29.61	2.07	31.53	2.15	33.45	2.23	34.84	2.25	37.30	2.29	39.22	2.34
		85	28.87	2.17	30.78	2.25	32.70	2.33	34.09	2.36	36.54	2.40	38.46	2.45
		90	28.13	2.27	30.04	2.36	31.95	2.44	33.33	2.47	35.78	2.52	37.69	2.57
		95	27.32	2.37	29.22	2.46	31.13	2.55	32.00	2.58	34.93	2.63	36.84	2.68
		100	26.65	2.47	28.56	2.57	30.46	2.66	31.59	2.69	34.27	2.74	36.17	2.80
		105	25.99	2.58	27.89	2.67	29.80	2.77	31.17	2.80	33.60	2.85	35.51	2.91
		110	25.32	2.68	27.23	2.77	29.13	2.88	30.51	2.91	32.94	2.96	34.84	3.02
		115	24.66	2.78	26.56	2.88	28.47	2.98	29.84	3.02	32.27	3.08	34.18	3.14
	118	24.26	2.84	26.16	2.94	28.07	3.05	29.44	3.08	31.87	3.14	33.78	3.21	
	122	24.13	2.92	26.03	3.03	27.93	3.14	29.31	3.17	31.74	3.23	33.64	3.30	
	9 + 9 + 24	14	31.37	1.61	33.32	1.67	35.27	1.73	36.67	1.75	39.16	1.79	41.11	1.82
		20	31.35	1.64	33.29	1.70	35.24	1.76	36.64	1.78	39.13	1.81	41.08	1.85
		25	31.32	1.66	33.27	1.72	35.21	1.78	36.62	1.81	39.10	1.84	41.05	1.88
		30	31.30	1.68	33.24	1.75	35.19	1.81	36.59	1.83	39.07	1.86	41.02	1.90
		35	31.27	1.71	33.22	1.77	35.16	1.83	36.56	1.86	39.04	1.89	40.99	1.93
		40	31.25	1.73	33.19	1.79	35.13	1.86	36.53	1.88	39.01	1.92	40.95	1.95
		45	31.23	1.75	33.17	1.82	35.10	1.88	36.51	1.91	38.98	1.94	40.92	1.98
		50	31.20	1.78	33.14	1.84	35.08	1.91	36.48	1.93	38.95	1.97	40.89	2.01
		55	31.18	1.80	33.11	1.87	35.05	1.93	36.45	1.96	38.92	1.99	40.86	2.03
		60	31.15	1.82	33.09	1.89	35.02	1.96	36.42	1.98	38.89	2.02	40.83	2.06
		65	31.13	1.85	33.06	1.91	35.00	1.98	36.39	2.01	38.86	2.04	40.80	2.09
		70	31.11	1.87	33.04	1.94	34.97	2.01	36.37	2.03	38.83	2.07	40.77	2.11
		75	30.36	1.97	32.28	2.04	34.21	2.12	35.60	2.14	38.07	2.18	39.99	2.23
		80	29.61	2.07	31.53	2.15	33.45	2.23	34.84	2.25	37.30	2.29	39.22	2.34
		85	28.87	2.17	30.78	2.25	32.70	2.33	34.09	2.36	36.54	2.40	38.46	2.45
		90	28.13	2.27	30.04	2.36	31.95	2.44	33.33	2.47	35.78	2.52	37.69	2.57
		95	27.32	2.37	29.22	2.46	31.13	2.55	32.00	2.58	34.93	2.63	36.84	2.68
		100	26.65	2.47	28.56	2.57	30.46	2.66	31.59	2.69	34.27	2.74	36.17	2.80
		105	25.99	2.58	27.89	2.67	29.80	2.77	31.17	2.80	33.60	2.85	35.51	2.91
110		25.32	2.68	27.23	2.77	29.13	2.88	30.51	2.91	32.94	2.96	34.84	3.02	
115		24.66	2.78	26.56	2.88	28.47	2.98	29.84	3.02	32.27	3.08	34.18	3.14	
118	24.26	2.84	26.16	2.94	28.07	3.05	29.44	3.08	31.87	3.14	33.78	3.21		
122	24.13	2.92	26.03	3.03	27.93	3.14	29.31	3.17	31.74	3.23	33.64	3.30		

TC = Total Capacity (kBtu/h).

PI = Power Input (kW).

Nominal capacity as rated: 0 ft. above sea level with 25 ft. of refrigerant piping.
0 ft. level difference between outdoor and indoor units.

Nominal cooling capacity rating obtained with air entering the indoor unit at 80°F dry bulb (DB) and 67°F wet bulb (WB), and outdoor ambient conditions of 95°F dry bulb (DB) and 75°F wet bulb (WB).

The shaded table rows indicate reference data. When operating at this temperature, these values can be different if the system is not running consistently.

PERFORMANCE DATA

Cooling Capacity Tables

MULTI F
MULTI F MAX

Table 95: LMU36CHV Cooling Capacity Table — Non-Ducted Indoor Units (continued).

Connected Indoor Units	Combination Capacity Index	Outdoor Air Temp. (°F DB)	Indoor Air Temp. °F DB / °F WB											
			68 / 57		73 / 61		77 / 64		80 / 67		86 / 72		90 / 75	
			TC	PI	TC	PI	TC	PI	TC	PI	TC	PI	TC	PI
Three (3) Non-Ducted Indoor Units	9 + 15 + 18	14	31.37	1.61	33.32	1.67	35.27	1.73	36.67	1.75	39.16	1.79	41.11	1.82
		20	31.35	1.64	33.29	1.70	35.24	1.76	36.64	1.78	39.13	1.81	41.08	1.85
		25	31.32	1.66	33.27	1.72	35.21	1.78	36.62	1.81	39.10	1.84	41.05	1.88
		30	31.30	1.68	33.24	1.75	35.19	1.81	36.59	1.83	39.07	1.86	41.02	1.90
		35	31.27	1.71	33.22	1.77	35.16	1.83	36.56	1.86	39.04	1.89	40.99	1.93
		40	31.25	1.73	33.19	1.79	35.13	1.86	36.53	1.88	39.01	1.92	40.95	1.95
		45	31.23	1.75	33.17	1.82	35.10	1.88	36.51	1.91	38.98	1.94	40.92	1.98
		50	31.20	1.78	33.14	1.84	35.08	1.91	36.48	1.93	38.95	1.97	40.89	2.01
		55	31.18	1.80	33.11	1.87	35.05	1.93	36.45	1.96	38.92	1.99	40.86	2.03
		60	31.15	1.82	33.09	1.89	35.02	1.96	36.42	1.98	38.89	2.02	40.83	2.06
		65	31.13	1.85	33.06	1.91	35.00	1.98	36.39	2.01	38.86	2.04	40.80	2.09
		70	31.11	1.87	33.04	1.94	34.97	2.01	36.37	2.03	38.83	2.07	40.77	2.11
		75	30.36	1.97	32.28	2.04	34.21	2.12	35.60	2.14	38.07	2.18	39.99	2.23
		80	29.61	2.07	31.53	2.15	33.45	2.23	34.84	2.25	37.30	2.29	39.22	2.34
		85	28.87	2.17	30.78	2.25	32.70	2.33	34.09	2.36	36.54	2.40	38.46	2.45
		90	28.13	2.27	30.04	2.36	31.95	2.44	33.33	2.47	35.78	2.52	37.69	2.57
		95	27.32	2.37	29.22	2.46	31.13	2.55	32.00	2.58	34.93	2.63	36.84	2.68
		100	26.65	2.47	28.56	2.57	30.46	2.66	31.59	2.69	34.27	2.74	36.17	2.80
		105	25.99	2.58	27.89	2.67	29.80	2.77	31.17	2.80	33.60	2.85	35.51	2.91
		110	25.32	2.68	27.23	2.77	29.13	2.88	30.51	2.91	32.94	2.96	34.84	3.02
		115	24.66	2.78	26.56	2.88	28.47	2.98	29.84	3.02	32.27	3.08	34.18	3.14
	118	24.26	2.84	26.16	2.94	28.07	3.05	29.44	3.08	31.87	3.14	33.78	3.21	
	122	24.13	2.92	26.03	3.03	27.93	3.14	29.31	3.17	31.74	3.23	33.64	3.30	
	12 + 12 + 18	14	31.37	1.61	33.32	1.67	35.27	1.73	36.67	1.75	39.16	1.79	41.11	1.82
		20	31.35	1.64	33.29	1.70	35.24	1.76	36.64	1.78	39.13	1.81	41.08	1.85
		25	31.32	1.66	33.27	1.72	35.21	1.78	36.62	1.81	39.10	1.84	41.05	1.88
		30	31.30	1.68	33.24	1.75	35.19	1.81	36.59	1.83	39.07	1.86	41.02	1.90
		35	31.27	1.71	33.22	1.77	35.16	1.83	36.56	1.86	39.04	1.89	40.99	1.93
		40	31.25	1.73	33.19	1.79	35.13	1.86	36.53	1.88	39.01	1.92	40.95	1.95
		45	31.23	1.75	33.17	1.82	35.10	1.88	36.51	1.91	38.98	1.94	40.92	1.98
		50	31.20	1.78	33.14	1.84	35.08	1.91	36.48	1.93	38.95	1.97	40.89	2.01
		55	31.18	1.80	33.11	1.87	35.05	1.93	36.45	1.96	38.92	1.99	40.86	2.03
		60	31.15	1.82	33.09	1.89	35.02	1.96	36.42	1.98	38.89	2.02	40.83	2.06
		65	31.13	1.85	33.06	1.91	35.00	1.98	36.39	2.01	38.86	2.04	40.80	2.09
		70	31.11	1.87	33.04	1.94	34.97	2.01	36.37	2.03	38.83	2.07	40.77	2.11
		75	30.36	1.97	32.28	2.04	34.21	2.12	35.60	2.14	38.07	2.18	39.99	2.23
		80	29.61	2.07	31.53	2.15	33.45	2.23	34.84	2.25	37.30	2.29	39.22	2.34
		85	28.87	2.17	30.78	2.25	32.70	2.33	34.09	2.36	36.54	2.40	38.46	2.45
		90	28.13	2.27	30.04	2.36	31.95	2.44	33.33	2.47	35.78	2.52	37.69	2.57
		95	27.32	2.37	29.22	2.46	31.13	2.55	32.00	2.58	34.93	2.63	36.84	2.68
		100	26.65	2.47	28.56	2.57	30.46	2.66	31.59	2.69	34.27	2.74	36.17	2.80
		105	25.99	2.58	27.89	2.67	29.80	2.77	31.17	2.80	33.60	2.85	35.51	2.91
110		25.32	2.68	27.23	2.77	29.13	2.88	30.51	2.91	32.94	2.96	34.84	3.02	
115		24.66	2.78	26.56	2.88	28.47	2.98	29.84	3.02	32.27	3.08	34.18	3.14	
118	24.26	2.84	26.16	2.94	28.07	3.05	29.44	3.08	31.87	3.14	33.78	3.21		
122	24.13	2.92	26.03	3.03	27.93	3.14	29.31	3.17	31.74	3.23	33.64	3.30		

TC = Total Capacity (kBtu/h).

PI = Power Input (kW).

Nominal capacity as rated: 0 ft. above sea level with 25 ft. of refrigerant piping.
0 ft. level difference between outdoor and indoor units.

Nominal cooling capacity rating obtained with air entering the indoor unit at 80°F dry bulb (DB) and 67°F wet bulb (WB), and outdoor ambient conditions of 95°F dry bulb (DB) and 75°F wet bulb (WB).

The shaded table rows indicate reference data. When operating at this temperature, these values can be different if the system is not running consistently.

Table 96: LMU36CHV Cooling Capacity Table — Non-Ducted Indoor Units (continued).

Connected Indoor Units	Combination Capacity Index	Outdoor Air Temp. (°F DB)	Indoor Air Temp. °F DB / °F WB											
			68 / 57		73 / 61		77 / 64		80 / 67		86 / 72		90 / 75	
			TC	PI	TC	PI	TC	PI	TC	PI	TC	PI	TC	PI
Three (3) Non-Ducted Indoor Units	12 + 15 + 15	14	31.37	1.61	33.32	1.67	35.27	1.73	36.67	1.75	39.16	1.79	41.11	1.82
		20	31.35	1.64	33.29	1.70	35.24	1.76	36.64	1.78	39.13	1.81	41.08	1.85
		25	31.32	1.66	33.27	1.72	35.21	1.78	36.62	1.81	39.10	1.84	41.05	1.88
		30	31.30	1.68	33.24	1.75	35.19	1.81	36.59	1.83	39.07	1.86	41.02	1.90
		35	31.27	1.71	33.22	1.77	35.16	1.83	36.56	1.86	39.04	1.89	40.99	1.93
		40	31.25	1.73	33.19	1.79	35.13	1.86	36.53	1.88	39.01	1.92	40.95	1.95
		45	31.23	1.75	33.17	1.82	35.10	1.88	36.51	1.91	38.98	1.94	40.92	1.98
		50	31.20	1.78	33.14	1.84	35.08	1.91	36.48	1.93	38.95	1.97	40.89	2.01
		55	31.18	1.80	33.11	1.87	35.05	1.93	36.45	1.96	38.92	1.99	40.86	2.03
		60	31.15	1.82	33.09	1.89	35.02	1.96	36.42	1.98	38.89	2.02	40.83	2.06
		65	31.13	1.85	33.06	1.91	35.00	1.98	36.39	2.01	38.86	2.04	40.80	2.09
		70	31.11	1.87	33.04	1.94	34.97	2.01	36.37	2.03	38.83	2.07	40.77	2.11
		75	30.36	1.97	32.28	2.04	34.21	2.12	35.60	2.14	38.07	2.18	39.99	2.23
		80	29.61	2.07	31.53	2.15	33.45	2.23	34.84	2.25	37.30	2.29	39.22	2.34
		85	28.87	2.17	30.78	2.25	32.70	2.33	34.09	2.36	36.54	2.40	38.46	2.45
		90	28.13	2.27	30.04	2.36	31.95	2.44	33.33	2.47	35.78	2.52	37.69	2.57
		95	27.32	2.37	29.22	2.46	31.13	2.55	32.00	2.58	34.93	2.63	36.84	2.68
		100	26.65	2.47	28.56	2.57	30.46	2.66	31.59	2.69	34.27	2.74	36.17	2.80
		105	25.99	2.58	27.89	2.67	29.80	2.77	31.17	2.80	33.60	2.85	35.51	2.91
		110	25.32	2.68	27.23	2.77	29.13	2.88	30.51	2.91	32.94	2.96	34.84	3.02
		115	24.66	2.78	26.56	2.88	28.47	2.98	29.84	3.02	32.27	3.08	34.18	3.14
	118	24.26	2.84	26.16	2.94	28.07	3.05	29.44	3.08	31.87	3.14	33.78	3.21	
	122	24.13	2.92	26.03	3.03	27.93	3.14	29.31	3.17	31.74	3.23	33.64	3.30	
	7 + 12 + 24	14	31.37	1.61	33.32	1.67	35.27	1.73	36.67	1.75	39.16	1.79	41.11	1.82
		20	31.35	1.64	33.29	1.70	35.24	1.76	36.64	1.78	39.13	1.81	41.08	1.85
		25	31.32	1.66	33.27	1.72	35.21	1.78	36.62	1.81	39.10	1.84	41.05	1.88
		30	31.30	1.68	33.24	1.75	35.19	1.81	36.59	1.83	39.07	1.86	41.02	1.90
		35	31.27	1.71	33.22	1.77	35.16	1.83	36.56	1.86	39.04	1.89	40.99	1.93
		40	31.25	1.73	33.19	1.79	35.13	1.86	36.53	1.88	39.01	1.92	40.95	1.95
		45	31.23	1.75	33.17	1.82	35.10	1.88	36.51	1.91	38.98	1.94	40.92	1.98
		50	31.20	1.78	33.14	1.84	35.08	1.91	36.48	1.93	38.95	1.97	40.89	2.01
		55	31.18	1.80	33.11	1.87	35.05	1.93	36.45	1.96	38.92	1.99	40.86	2.03
		60	31.15	1.82	33.09	1.89	35.02	1.96	36.42	1.98	38.89	2.02	40.83	2.06
		65	31.13	1.85	33.06	1.91	35.00	1.98	36.39	2.01	38.86	2.04	40.80	2.09
		70	31.11	1.87	33.04	1.94	34.97	2.01	36.37	2.03	38.83	2.07	40.77	2.11
		75	30.36	1.97	32.28	2.04	34.21	2.12	35.60	2.14	38.07	2.18	39.99	2.23
		80	29.61	2.07	31.53	2.15	33.45	2.23	34.84	2.25	37.30	2.29	39.22	2.34
		85	28.87	2.17	30.78	2.25	32.70	2.33	34.09	2.36	36.54	2.40	38.46	2.45
		90	28.13	2.27	30.04	2.36	31.95	2.44	33.33	2.47	35.78	2.52	37.69	2.57
		95	27.32	2.37	29.22	2.46	31.13	2.55	32.00	2.58	34.93	2.63	36.84	2.68
		100	26.65	2.47	28.56	2.57	30.46	2.66	31.59	2.69	34.27	2.74	36.17	2.80
		105	25.99	2.58	27.89	2.67	29.80	2.77	31.17	2.80	33.60	2.85	35.51	2.91
110		25.32	2.68	27.23	2.77	29.13	2.88	30.51	2.91	32.94	2.96	34.84	3.02	
115		24.66	2.78	26.56	2.88	28.47	2.98	29.84	3.02	32.27	3.08	34.18	3.14	
118	24.26	2.84	26.16	2.94	28.07	3.05	29.44	3.08	31.87	3.14	33.78	3.21		
122	24.13	2.92	26.03	3.03	27.93	3.14	29.31	3.17	31.74	3.23	33.64	3.30		

TC = Total Capacity (kBtu/h).

PI = Power Input (kW).

Nominal capacity as rated: 0 ft. above sea level with 25 ft. of refrigerant piping.
0 ft. level difference between outdoor and indoor units.

Nominal cooling capacity rating obtained with air entering the indoor unit at 80°F dry bulb (DB) and 67°F wet bulb (WB), and outdoor ambient conditions of 95°F dry bulb (DB) and 75°F wet bulb (WB).

The shaded table rows indicate reference data. When operating at this temperature, these values can be different if the system is not running consistently.

PERFORMANCE DATA

Cooling Capacity Tables

MULTI F
MULTI F MAX

Table 97: LMU36CHV Cooling Capacity Table — Non-Ducted Indoor Units (continued).

Connected Indoor Units	Combination Capacity Index	Outdoor Air Temp. (°F DB)	Indoor Air Temp. °F DB / °F WB											
			68 / 57		73 / 61		77 / 64		80 / 67		86 / 72		90 / 75	
			TC	PI	TC	PI	TC	PI	TC	PI	TC	PI	TC	PI
Three (3) Non-Ducted Indoor Units	7 + 18 + 18	14	31.37	1.61	33.32	1.67	35.27	1.73	36.67	1.75	39.16	1.79	41.11	1.82
		20	31.35	1.64	33.29	1.70	35.24	1.76	36.64	1.78	39.13	1.81	41.08	1.85
		25	31.32	1.66	33.27	1.72	35.21	1.78	36.62	1.81	39.10	1.84	41.05	1.88
		30	31.30	1.68	33.24	1.75	35.19	1.81	36.59	1.83	39.07	1.86	41.02	1.90
		35	31.27	1.71	33.22	1.77	35.16	1.83	36.56	1.86	39.04	1.89	40.99	1.93
		40	31.25	1.73	33.19	1.79	35.13	1.86	36.53	1.88	39.01	1.92	40.95	1.95
		45	31.23	1.75	33.17	1.82	35.10	1.88	36.51	1.91	38.98	1.94	40.92	1.98
		50	31.20	1.78	33.14	1.84	35.08	1.91	36.48	1.93	38.95	1.97	40.89	2.01
		55	31.18	1.80	33.11	1.87	35.05	1.93	36.45	1.96	38.92	1.99	40.86	2.03
		60	31.15	1.82	33.09	1.89	35.02	1.96	36.42	1.98	38.89	2.02	40.83	2.06
		65	31.13	1.85	33.06	1.91	35.00	1.98	36.39	2.01	38.86	2.04	40.80	2.09
		70	31.11	1.87	33.04	1.94	34.97	2.01	36.37	2.03	38.83	2.07	40.77	2.11
		75	30.36	1.97	32.28	2.04	34.21	2.12	35.60	2.14	38.07	2.18	39.99	2.23
		80	29.61	2.07	31.53	2.15	33.45	2.23	34.84	2.25	37.30	2.29	39.22	2.34
		85	28.87	2.17	30.78	2.25	32.70	2.33	34.09	2.36	36.54	2.40	38.46	2.45
		90	28.13	2.27	30.04	2.36	31.95	2.44	33.33	2.47	35.78	2.52	37.69	2.57
		95	27.32	2.37	29.22	2.46	31.13	2.55	32.00	2.58	34.93	2.63	36.84	2.68
		100	26.65	2.47	28.56	2.57	30.46	2.66	31.59	2.69	34.27	2.74	36.17	2.80
		105	25.99	2.58	27.89	2.67	29.80	2.77	31.17	2.80	33.60	2.85	35.51	2.91
		110	25.32	2.68	27.23	2.77	29.13	2.88	30.51	2.91	32.94	2.96	34.84	3.02
		115	24.66	2.78	26.56	2.88	28.47	2.98	29.84	3.02	32.27	3.08	34.18	3.14
	118	24.26	2.84	26.16	2.94	28.07	3.05	29.44	3.08	31.87	3.14	33.78	3.21	
	122	24.13	2.92	26.03	3.03	27.93	3.14	29.31	3.17	31.74	3.23	33.64	3.30	
	9 + 12 + 24	14	31.37	1.61	33.32	1.67	35.27	1.73	36.67	1.75	39.16	1.79	41.11	1.82
		20	31.35	1.64	33.29	1.70	35.24	1.76	36.64	1.78	39.13	1.81	41.08	1.85
		25	31.32	1.66	33.27	1.72	35.21	1.78	36.62	1.81	39.10	1.84	41.05	1.88
		30	31.30	1.68	33.24	1.75	35.19	1.81	36.59	1.83	39.07	1.86	41.02	1.90
		35	31.27	1.71	33.22	1.77	35.16	1.83	36.56	1.86	39.04	1.89	40.99	1.93
		40	31.25	1.73	33.19	1.79	35.13	1.86	36.53	1.88	39.01	1.92	40.95	1.95
		45	31.23	1.75	33.17	1.82	35.10	1.88	36.51	1.91	38.98	1.94	40.92	1.98
		50	31.20	1.78	33.14	1.84	35.08	1.91	36.48	1.93	38.95	1.97	40.89	2.01
		55	31.18	1.80	33.11	1.87	35.05	1.93	36.45	1.96	38.92	1.99	40.86	2.03
		60	31.15	1.82	33.09	1.89	35.02	1.96	36.42	1.98	38.89	2.02	40.83	2.06
		65	31.13	1.85	33.06	1.91	35.00	1.98	36.39	2.01	38.86	2.04	40.80	2.09
		70	31.11	1.87	33.04	1.94	34.97	2.01	36.37	2.03	38.83	2.07	40.77	2.11
		75	30.36	1.97	32.28	2.04	34.21	2.12	35.60	2.14	38.07	2.18	39.99	2.23
		80	29.61	2.07	31.53	2.15	33.45	2.23	34.84	2.25	37.30	2.29	39.22	2.34
		85	28.87	2.17	30.78	2.25	32.70	2.33	34.09	2.36	36.54	2.40	38.46	2.45
		90	28.13	2.27	30.04	2.36	31.95	2.44	33.33	2.47	35.78	2.52	37.69	2.57
		95	27.32	2.37	29.22	2.46	31.13	2.55	32.00	2.58	34.93	2.63	36.84	2.68
		100	26.65	2.47	28.56	2.57	30.46	2.66	31.59	2.69	34.27	2.74	36.17	2.80
		105	25.99	2.58	27.89	2.67	29.80	2.77	31.17	2.80	33.60	2.85	35.51	2.91
110		25.32	2.68	27.23	2.77	29.13	2.88	30.51	2.91	32.94	2.96	34.84	3.02	
115		24.66	2.78	26.56	2.88	28.47	2.98	29.84	3.02	32.27	3.08	34.18	3.14	
118	24.26	2.84	26.16	2.94	28.07	3.05	29.44	3.08	31.87	3.14	33.78	3.21		
122	24.13	2.92	26.03	3.03	27.93	3.14	29.31	3.17	31.74	3.23	33.64	3.30		

TC = Total Capacity (kBtu/h).

PI = Power Input (kW).

Nominal capacity as rated: 0 ft. above sea level with 25 ft. of refrigerant piping.
0 ft. level difference between outdoor and indoor units.

Nominal cooling capacity rating obtained with air entering the indoor unit at 80°F dry bulb (DB) and 67°F wet bulb (WB), and outdoor ambient conditions of 95°F dry bulb (DB) and 75°F wet bulb (WB).

The shaded table rows indicate reference data. When operating at this temperature, these values can be different if the system is not running consistently.

Multi F and Multi F MAX Heat Pump System Engineering Manual

Table 98: LMU36CHV Cooling Capacity Table — Non-Ducted Indoor Units (continued).

Connected Indoor Units	Combination Capacity Index	Outdoor Air Temp. (°F DB)	Indoor Air Temp. °F DB / °F WB											
			68 / 57		73 / 61		77 / 64		80 / 67		86 / 72		90 / 75	
			TC	PI	TC	PI	TC	PI	TC	PI	TC	PI	TC	PI
Three (3) Non-Ducted Indoor Units	9 + 18 + 18	14	31.37	1.61	33.32	1.67	35.27	1.73	36.67	1.75	39.16	1.79	41.11	1.82
		20	31.35	1.64	33.29	1.70	35.24	1.76	36.64	1.78	39.13	1.81	41.08	1.85
		25	31.32	1.66	33.27	1.72	35.21	1.78	36.62	1.81	39.10	1.84	41.05	1.88
		30	31.30	1.68	33.24	1.75	35.19	1.81	36.59	1.83	39.07	1.86	41.02	1.90
		35	31.27	1.71	33.22	1.77	35.16	1.83	36.56	1.86	39.04	1.89	40.99	1.93
		40	31.25	1.73	33.19	1.79	35.13	1.86	36.53	1.88	39.01	1.92	40.95	1.95
		45	31.23	1.75	33.17	1.82	35.10	1.88	36.51	1.91	38.98	1.94	40.92	1.98
		50	31.20	1.78	33.14	1.84	35.08	1.91	36.48	1.93	38.95	1.97	40.89	2.01
		55	31.18	1.80	33.11	1.87	35.05	1.93	36.45	1.96	38.92	1.99	40.86	2.03
		60	31.15	1.82	33.09	1.89	35.02	1.96	36.42	1.98	38.89	2.02	40.83	2.06
		65	31.13	1.85	33.06	1.91	35.00	1.98	36.39	2.01	38.86	2.04	40.80	2.09
		70	31.11	1.87	33.04	1.94	34.97	2.01	36.37	2.03	38.83	2.07	40.77	2.11
		75	30.36	1.97	32.28	2.04	34.21	2.12	35.60	2.14	38.07	2.18	39.99	2.23
		80	29.61	2.07	31.53	2.15	33.45	2.23	34.84	2.25	37.30	2.29	39.22	2.34
		85	28.87	2.17	30.78	2.25	32.70	2.33	34.09	2.36	36.54	2.40	38.46	2.45
		90	28.13	2.27	30.04	2.36	31.95	2.44	33.33	2.47	35.78	2.52	37.69	2.57
		95	27.32	2.37	29.22	2.46	31.13	2.55	32.00	2.58	34.93	2.63	36.84	2.68
		100	26.65	2.47	28.56	2.57	30.46	2.66	31.59	2.69	34.27	2.74	36.17	2.80
		105	25.99	2.58	27.89	2.67	29.80	2.77	31.17	2.80	33.60	2.85	35.51	2.91
		110	25.32	2.68	27.23	2.77	29.13	2.88	30.51	2.91	32.94	2.96	34.84	3.02
		115	24.66	2.78	26.56	2.88	28.47	2.98	29.84	3.02	32.27	3.08	34.18	3.14
	118	24.26	2.84	26.16	2.94	28.07	3.05	29.44	3.08	31.87	3.14	33.78	3.21	
	122	24.13	2.92	26.03	3.03	27.93	3.14	29.31	3.17	31.74	3.23	33.64	3.30	
	12 + 15 + 18	14	31.37	1.61	33.32	1.67	35.27	1.73	36.67	1.75	39.16	1.79	41.11	1.82
		20	31.35	1.64	33.29	1.70	35.24	1.76	36.64	1.78	39.13	1.81	41.08	1.85
		25	31.32	1.66	33.27	1.72	35.21	1.78	36.62	1.81	39.10	1.84	41.05	1.88
		30	31.30	1.68	33.24	1.75	35.19	1.81	36.59	1.83	39.07	1.86	41.02	1.90
		35	31.27	1.71	33.22	1.77	35.16	1.83	36.56	1.86	39.04	1.89	40.99	1.93
		40	31.25	1.73	33.19	1.79	35.13	1.86	36.53	1.88	39.01	1.92	40.95	1.95
		45	31.23	1.75	33.17	1.82	35.10	1.88	36.51	1.91	38.98	1.94	40.92	1.98
		50	31.20	1.78	33.14	1.84	35.08	1.91	36.48	1.93	38.95	1.97	40.89	2.01
		55	31.18	1.80	33.11	1.87	35.05	1.93	36.45	1.96	38.92	1.99	40.86	2.03
		60	31.15	1.82	33.09	1.89	35.02	1.96	36.42	1.98	38.89	2.02	40.83	2.06
		65	31.13	1.85	33.06	1.91	35.00	1.98	36.39	2.01	38.86	2.04	40.80	2.09
		70	31.11	1.87	33.04	1.94	34.97	2.01	36.37	2.03	38.83	2.07	40.77	2.11
		75	30.36	1.97	32.28	2.04	34.21	2.12	35.60	2.14	38.07	2.18	39.99	2.23
		80	29.61	2.07	31.53	2.15	33.45	2.23	34.84	2.25	37.30	2.29	39.22	2.34
		85	28.87	2.17	30.78	2.25	32.70	2.33	34.09	2.36	36.54	2.40	38.46	2.45
		90	28.13	2.27	30.04	2.36	31.95	2.44	33.33	2.47	35.78	2.52	37.69	2.57
		95	27.32	2.37	29.22	2.46	31.13	2.55	32.00	2.58	34.93	2.63	36.84	2.68
		100	26.65	2.47	28.56	2.57	30.46	2.66	31.59	2.69	34.27	2.74	36.17	2.80
		105	25.99	2.58	27.89	2.67	29.80	2.77	31.17	2.80	33.60	2.85	35.51	2.91
110		25.32	2.68	27.23	2.77	29.13	2.88	30.51	2.91	32.94	2.96	34.84	3.02	
115		24.66	2.78	26.56	2.88	28.47	2.98	29.84	3.02	32.27	3.08	34.18	3.14	
118	24.26	2.84	26.16	2.94	28.07	3.05	29.44	3.08	31.87	3.14	33.78	3.21		
122	24.13	2.92	26.03	3.03	27.93	3.14	29.31	3.17	31.74	3.23	33.64	3.30		

TC = Total Capacity (kBtu/h).

PI = Power Input (kW).

Nominal capacity as rated: 0 ft. above sea level with 25 ft. of refrigerant piping.
0 ft. level difference between outdoor and indoor units.

Nominal cooling capacity rating obtained with air entering the indoor unit at 80°F dry bulb (DB) and 67°F wet bulb (WB), and outdoor ambient conditions of 95°F dry bulb (DB) and 75°F wet bulb (WB).

The shaded table rows indicate reference data. When operating at this temperature, these values can be different if the system is not running consistently.

PERFORMANCE DATA

Cooling Capacity Tables

MULTI F
MULTI F MAX

Table 99: LMU36CHV Cooling Capacity Table — Non-Ducted Indoor Units (continued).

Connected Indoor Units	Combination Capacity Index	Outdoor Air Temp. (°F DB)	Indoor Air Temp. °F DB / °F WB											
			68 / 57		73 / 61		77 / 64		80 / 67		86 / 72		90 / 75	
			TC	PI	TC	PI	TC	PI	TC	PI	TC	PI	TC	PI
Three (3) Non-Ducted Indoor Units	15 + 15 + 15	14	31.37	1.61	33.32	1.67	35.27	1.73	36.67	1.75	39.16	1.79	41.11	1.82
		20	31.35	1.64	33.29	1.70	35.24	1.76	36.64	1.78	39.13	1.81	41.08	1.85
		25	31.32	1.66	33.27	1.72	35.21	1.78	36.62	1.81	39.10	1.84	41.05	1.88
		30	31.30	1.68	33.24	1.75	35.19	1.81	36.59	1.83	39.07	1.86	41.02	1.90
		35	31.27	1.71	33.22	1.77	35.16	1.83	36.56	1.86	39.04	1.89	40.99	1.93
		40	31.25	1.73	33.19	1.79	35.13	1.86	36.53	1.88	39.01	1.92	40.95	1.95
		45	31.23	1.75	33.17	1.82	35.10	1.88	36.51	1.91	38.98	1.94	40.92	1.98
		50	31.20	1.78	33.14	1.84	35.08	1.91	36.48	1.93	38.95	1.97	40.89	2.01
		55	31.18	1.80	33.11	1.87	35.05	1.93	36.45	1.96	38.92	1.99	40.86	2.03
		60	31.15	1.82	33.09	1.89	35.02	1.96	36.42	1.98	38.89	2.02	40.83	2.06
		65	31.13	1.85	33.06	1.91	35.00	1.98	36.39	2.01	38.86	2.04	40.80	2.09
		70	31.11	1.87	33.04	1.94	34.97	2.01	36.37	2.03	38.83	2.07	40.77	2.11
		75	30.36	1.97	32.28	2.04	34.21	2.12	35.60	2.14	38.07	2.18	39.99	2.23
		80	29.61	2.07	31.53	2.15	33.45	2.23	34.84	2.25	37.30	2.29	39.22	2.34
		85	28.87	2.17	30.78	2.25	32.70	2.33	34.09	2.36	36.54	2.40	38.46	2.45
		90	28.13	2.27	30.04	2.36	31.95	2.44	33.33	2.47	35.78	2.52	37.69	2.57
		95	27.32	2.37	29.22	2.46	31.13	2.55	32.00	2.58	34.93	2.63	36.84	2.68
		100	26.65	2.47	28.56	2.57	30.46	2.66	31.59	2.69	34.27	2.74	36.17	2.80
		105	25.99	2.58	27.89	2.67	29.80	2.77	31.17	2.80	33.60	2.85	35.51	2.91
		110	25.32	2.68	27.23	2.77	29.13	2.88	30.51	2.91	32.94	2.96	34.84	3.02
		115	24.66	2.78	26.56	2.88	28.47	2.98	29.84	3.02	32.27	3.08	34.18	3.14
	118	24.26	2.84	26.16	2.94	28.07	3.05	29.44	3.08	31.87	3.14	33.78	3.21	
	122	24.13	2.92	26.03	3.03	27.93	3.14	29.31	3.17	31.74	3.23	33.64	3.30	
	7 + 15 + 24	14	31.37	1.61	33.32	1.67	35.27	1.73	36.67	1.75	39.16	1.79	41.11	1.82
		20	31.35	1.64	33.29	1.70	35.24	1.76	36.64	1.78	39.13	1.81	41.08	1.85
		25	31.32	1.66	33.27	1.72	35.21	1.78	36.62	1.81	39.10	1.84	41.05	1.88
		30	31.30	1.68	33.24	1.75	35.19	1.81	36.59	1.83	39.07	1.86	41.02	1.90
		35	31.27	1.71	33.22	1.77	35.16	1.83	36.56	1.86	39.04	1.89	40.99	1.93
		40	31.25	1.73	33.19	1.79	35.13	1.86	36.53	1.88	39.01	1.92	40.95	1.95
		45	31.23	1.75	33.17	1.82	35.10	1.88	36.51	1.91	38.98	1.94	40.92	1.98
		50	31.20	1.78	33.14	1.84	35.08	1.91	36.48	1.93	38.95	1.97	40.89	2.01
		55	31.18	1.80	33.11	1.87	35.05	1.93	36.45	1.96	38.92	1.99	40.86	2.03
		60	31.15	1.82	33.09	1.89	35.02	1.96	36.42	1.98	38.89	2.02	40.83	2.06
		65	31.13	1.85	33.06	1.91	35.00	1.98	36.39	2.01	38.86	2.04	40.80	2.09
		70	31.11	1.87	33.04	1.94	34.97	2.01	36.37	2.03	38.83	2.07	40.77	2.11
		75	30.36	1.97	32.28	2.04	34.21	2.12	35.60	2.14	38.07	2.18	39.99	2.23
		80	29.61	2.07	31.53	2.15	33.45	2.23	34.84	2.25	37.30	2.29	39.22	2.34
		85	28.87	2.17	30.78	2.25	32.70	2.33	34.09	2.36	36.54	2.40	38.46	2.45
		90	28.13	2.27	30.04	2.36	31.95	2.44	33.33	2.47	35.78	2.52	37.69	2.57
		95	27.32	2.37	29.22	2.46	31.13	2.55	32.00	2.58	34.93	2.63	36.84	2.68
		100	26.65	2.47	28.56	2.57	30.46	2.66	31.59	2.69	34.27	2.74	36.17	2.80
		105	25.99	2.58	27.89	2.67	29.80	2.77	31.17	2.80	33.60	2.85	35.51	2.91
110		25.32	2.68	27.23	2.77	29.13	2.88	30.51	2.91	32.94	2.96	34.84	3.02	
115		24.66	2.78	26.56	2.88	28.47	2.98	29.84	3.02	32.27	3.08	34.18	3.14	
118	24.26	2.84	26.16	2.94	28.07	3.05	29.44	3.08	31.87	3.14	33.78	3.21		
122	24.13	2.92	26.03	3.03	27.93	3.14	29.31	3.17	31.74	3.23	33.64	3.30		

TC = Total Capacity (kBtu/h).

PI = Power Input (kW).

Nominal capacity as rated: 0 ft. above sea level with 25 ft. of refrigerant piping.
0 ft. level difference between outdoor and indoor units.

Nominal cooling capacity rating obtained with air entering the indoor unit at 80°F dry bulb (DB) and 67°F wet bulb (WB), and outdoor ambient conditions of 95°F dry bulb (DB) and 75°F wet bulb (WB).

The shaded table rows indicate reference data. When operating at this temperature, these values can be different if the system is not running consistently.

Multi F and Multi F MAX Heat Pump System Engineering Manual

Table 100: LMU36CHV Cooling Capacity Table — Non-Ducted Indoor Units (continued).

Connected Indoor Units	Combination Capacity Index	Outdoor Air Temp. (°F DB)	Indoor Air Temp. °F DB / °F WB											
			68 / 57		73 / 61		77 / 64		80 / 67		86 / 72		90 / 75	
			TC	PI	TC	PI	TC	PI	TC	PI	TC	PI	TC	PI
Three (3) Non-Ducted Indoor Units	9 + 15 + 24	14	31.37	1.61	33.32	1.67	35.27	1.73	36.67	1.75	39.16	1.79	41.11	1.82
		20	31.35	1.64	33.29	1.70	35.24	1.76	36.64	1.78	39.13	1.81	41.08	1.85
		25	31.32	1.66	33.27	1.72	35.21	1.78	36.62	1.81	39.10	1.84	41.05	1.88
		30	31.30	1.68	33.24	1.75	35.19	1.81	36.59	1.83	39.07	1.86	41.02	1.90
		35	31.27	1.71	33.22	1.77	35.16	1.83	36.56	1.86	39.04	1.89	40.99	1.93
		40	31.25	1.73	33.19	1.79	35.13	1.86	36.53	1.88	39.01	1.92	40.95	1.95
		45	31.23	1.75	33.17	1.82	35.10	1.88	36.51	1.91	38.98	1.94	40.92	1.98
		50	31.20	1.78	33.14	1.84	35.08	1.91	36.48	1.93	38.95	1.97	40.89	2.01
		55	31.18	1.80	33.11	1.87	35.05	1.93	36.45	1.96	38.92	1.99	40.86	2.03
		60	31.15	1.82	33.09	1.89	35.02	1.96	36.42	1.98	38.89	2.02	40.83	2.06
		65	31.13	1.85	33.06	1.91	35.00	1.98	36.39	2.01	38.86	2.04	40.80	2.09
		70	31.11	1.87	33.04	1.94	34.97	2.01	36.37	2.03	38.83	2.07	40.77	2.11
		75	30.36	1.97	32.28	2.04	34.21	2.12	35.60	2.14	38.07	2.18	39.99	2.23
		80	29.61	2.07	31.53	2.15	33.45	2.23	34.84	2.25	37.30	2.29	39.22	2.34
		85	28.87	2.17	30.78	2.25	32.70	2.33	34.09	2.36	36.54	2.40	38.46	2.45
		90	28.13	2.27	30.04	2.36	31.95	2.44	33.33	2.47	35.78	2.52	37.69	2.57
		95	27.32	2.37	29.22	2.46	31.13	2.55	32.00	2.58	34.93	2.63	36.84	2.68
		100	26.65	2.47	28.56	2.57	30.46	2.66	31.59	2.69	34.27	2.74	36.17	2.80
		105	25.99	2.58	27.89	2.67	29.80	2.77	31.17	2.80	33.60	2.85	35.51	2.91
		110	25.32	2.68	27.23	2.77	29.13	2.88	30.51	2.91	32.94	2.96	34.84	3.02
		115	24.66	2.78	26.56	2.88	28.47	2.98	29.84	3.02	32.27	3.08	34.18	3.14
		118	24.26	2.84	26.16	2.94	28.07	3.05	29.44	3.08	31.87	3.14	33.78	3.21
		122	24.13	2.92	26.03	3.03	27.93	3.14	29.31	3.17	31.74	3.23	33.64	3.30
		12 + 12 + 24	14	31.37	1.61	33.32	1.67	35.27	1.73	36.67	1.75	39.16	1.79	41.11
	20		31.35	1.64	33.29	1.70	35.24	1.76	36.64	1.78	39.13	1.81	41.08	1.85
	25		31.32	1.66	33.27	1.72	35.21	1.78	36.62	1.81	39.10	1.84	41.05	1.88
	30		31.30	1.68	33.24	1.75	35.19	1.81	36.59	1.83	39.07	1.86	41.02	1.90
	35		31.27	1.71	33.22	1.77	35.16	1.83	36.56	1.86	39.04	1.89	40.99	1.93
	40		31.25	1.73	33.19	1.79	35.13	1.86	36.53	1.88	39.01	1.92	40.95	1.95
	45		31.23	1.75	33.17	1.82	35.10	1.88	36.51	1.91	38.98	1.94	40.92	1.98
	50		31.20	1.78	33.14	1.84	35.08	1.91	36.48	1.93	38.95	1.97	40.89	2.01
	55		31.18	1.80	33.11	1.87	35.05	1.93	36.45	1.96	38.92	1.99	40.86	2.03
	60		31.15	1.82	33.09	1.89	35.02	1.96	36.42	1.98	38.89	2.02	40.83	2.06
	65		31.13	1.85	33.06	1.91	35.00	1.98	36.39	2.01	38.86	2.04	40.80	2.09
	70		31.11	1.87	33.04	1.94	34.97	2.01	36.37	2.03	38.83	2.07	40.77	2.11
	75		30.36	1.97	32.28	2.04	34.21	2.12	35.60	2.14	38.07	2.18	39.99	2.23
	80		29.61	2.07	31.53	2.15	33.45	2.23	34.84	2.25	37.30	2.29	39.22	2.34
	85		28.87	2.17	30.78	2.25	32.70	2.33	34.09	2.36	36.54	2.40	38.46	2.45
	90		28.13	2.27	30.04	2.36	31.95	2.44	33.33	2.47	35.78	2.52	37.69	2.57
	95		27.32	2.37	29.22	2.46	31.13	2.55	32.00	2.58	34.93	2.63	36.84	2.68
	100		26.65	2.47	28.56	2.57	30.46	2.66	31.59	2.69	34.27	2.74	36.17	2.80
	105		25.99	2.58	27.89	2.67	29.80	2.77	31.17	2.80	33.60	2.85	35.51	2.91
110	25.32		2.68	27.23	2.77	29.13	2.88	30.51	2.91	32.94	2.96	34.84	3.02	
115	24.66		2.78	26.56	2.88	28.47	2.98	29.84	3.02	32.27	3.08	34.18	3.14	
118	24.26		2.84	26.16	2.94	28.07	3.05	29.44	3.08	31.87	3.14	33.78	3.21	
122	24.13		2.92	26.03	3.03	27.93	3.14	29.31	3.17	31.74	3.23	33.64	3.30	

TC = Total Capacity (kBtu/h).

PI = Power Input (kW).

Nominal capacity as rated: 0 ft. above sea level with 25 ft. of refrigerant piping.
0 ft. level difference between outdoor and indoor units.

Nominal cooling capacity rating obtained with air entering the indoor unit at 80°F dry bulb (DB) and 67°F wet bulb (WB), and outdoor ambient conditions of 95°F dry bulb (DB) and 75°F wet bulb (WB).

The shaded table rows indicate reference data. When operating at this temperature, these values can be different if the system is not running consistently.

PERFORMANCE DATA

Cooling Capacity Tables

MULTI F
MULTI F MAX

Table 101: LMU36CHV Cooling Capacity Table — Non-Ducted Indoor Units (continued).

Connected Indoor Units	Combination Capacity Index	Outdoor Air Temp. (°F DB)	Indoor Air Temp. °F DB / °F WB											
			68 / 57		73 / 61		77 / 64		80 / 67		86 / 72		90 / 75	
			TC	PI	TC	PI	TC	PI	TC	PI	TC	PI	TC	PI
Three (3) Non-Ducted Indoor Units	12 + 18 + 18	14	31.37	1.61	33.32	1.67	35.27	1.73	36.67	1.75	39.16	1.79	41.11	1.82
		20	31.35	1.64	33.29	1.70	35.24	1.76	36.64	1.78	39.13	1.81	41.08	1.85
		25	31.32	1.66	33.27	1.72	35.21	1.78	36.62	1.81	39.10	1.84	41.05	1.88
		30	31.30	1.68	33.24	1.75	35.19	1.81	36.59	1.83	39.07	1.86	41.02	1.90
		35	31.27	1.71	33.22	1.77	35.16	1.83	36.56	1.86	39.04	1.89	40.99	1.93
		40	31.25	1.73	33.19	1.79	35.13	1.86	36.53	1.88	39.01	1.92	40.95	1.95
		45	31.23	1.75	33.17	1.82	35.10	1.88	36.51	1.91	38.98	1.94	40.92	1.98
		50	31.20	1.78	33.14	1.84	35.08	1.91	36.48	1.93	38.95	1.97	40.89	2.01
		55	31.18	1.80	33.11	1.87	35.05	1.93	36.45	1.96	38.92	1.99	40.86	2.03
		60	31.15	1.82	33.09	1.89	35.02	1.96	36.42	1.98	38.89	2.02	40.83	2.06
		65	31.13	1.85	33.06	1.91	35.00	1.98	36.39	2.01	38.86	2.04	40.80	2.09
		70	31.11	1.87	33.04	1.94	34.97	2.01	36.37	2.03	38.83	2.07	40.77	2.11
		75	30.36	1.97	32.28	2.04	34.21	2.12	35.60	2.14	38.07	2.18	39.99	2.23
		80	29.61	2.07	31.53	2.15	33.45	2.23	34.84	2.25	37.30	2.29	39.22	2.34
		85	28.87	2.17	30.78	2.25	32.70	2.33	34.09	2.36	36.54	2.40	38.46	2.45
		90	28.13	2.27	30.04	2.36	31.95	2.44	33.33	2.47	35.78	2.52	37.69	2.57
		95	27.32	2.37	29.22	2.46	31.13	2.55	32.00	2.58	34.93	2.63	36.84	2.68
		100	26.65	2.47	28.56	2.57	30.46	2.66	31.59	2.69	34.27	2.74	36.17	2.80
		105	25.99	2.58	27.89	2.67	29.80	2.77	31.17	2.80	33.60	2.85	35.51	2.91
		110	25.32	2.68	27.23	2.77	29.13	2.88	30.51	2.91	32.94	2.96	34.84	3.02
		115	24.66	2.78	26.56	2.88	28.47	2.98	29.84	3.02	32.27	3.08	34.18	3.14
	118	24.26	2.84	26.16	2.94	28.07	3.05	29.44	3.08	31.87	3.14	33.78	3.21	
	122	24.13	2.92	26.03	3.03	27.93	3.14	29.31	3.17	31.74	3.23	33.64	3.30	
	15 + 15 + 18	14	31.37	1.61	33.32	1.67	35.27	1.73	36.67	1.75	39.16	1.79	41.11	1.82
		20	31.35	1.64	33.29	1.70	35.24	1.76	36.64	1.78	39.13	1.81	41.08	1.85
		25	31.32	1.66	33.27	1.72	35.21	1.78	36.62	1.81	39.10	1.84	41.05	1.88
		30	31.30	1.68	33.24	1.75	35.19	1.81	36.59	1.83	39.07	1.86	41.02	1.90
		35	31.27	1.71	33.22	1.77	35.16	1.83	36.56	1.86	39.04	1.89	40.99	1.93
		40	31.25	1.73	33.19	1.79	35.13	1.86	36.53	1.88	39.01	1.92	40.95	1.95
		45	31.23	1.75	33.17	1.82	35.10	1.88	36.51	1.91	38.98	1.94	40.92	1.98
		50	31.20	1.78	33.14	1.84	35.08	1.91	36.48	1.93	38.95	1.97	40.89	2.01
		55	31.18	1.80	33.11	1.87	35.05	1.93	36.45	1.96	38.92	1.99	40.86	2.03
		60	31.15	1.82	33.09	1.89	35.02	1.96	36.42	1.98	38.89	2.02	40.83	2.06
		65	31.13	1.85	33.06	1.91	35.00	1.98	36.39	2.01	38.86	2.04	40.80	2.09
		70	31.11	1.87	33.04	1.94	34.97	2.01	36.37	2.03	38.83	2.07	40.77	2.11
		75	30.36	1.97	32.28	2.04	34.21	2.12	35.60	2.14	38.07	2.18	39.99	2.23
		80	29.61	2.07	31.53	2.15	33.45	2.23	34.84	2.25	37.30	2.29	39.22	2.34
		85	28.87	2.17	30.78	2.25	32.70	2.33	34.09	2.36	36.54	2.40	38.46	2.45
		90	28.13	2.27	30.04	2.36	31.95	2.44	33.33	2.47	35.78	2.52	37.69	2.57
		95	27.32	2.37	29.22	2.46	31.13	2.55	32.00	2.58	34.93	2.63	36.84	2.68
		100	26.65	2.47	28.56	2.57	30.46	2.66	31.59	2.69	34.27	2.74	36.17	2.80
		105	25.99	2.58	27.89	2.67	29.80	2.77	31.17	2.80	33.60	2.85	35.51	2.91
110		25.32	2.68	27.23	2.77	29.13	2.88	30.51	2.91	32.94	2.96	34.84	3.02	
115		24.66	2.78	26.56	2.88	28.47	2.98	29.84	3.02	32.27	3.08	34.18	3.14	
118	24.26	2.84	26.16	2.94	28.07	3.05	29.44	3.08	31.87	3.14	33.78	3.21		
122	24.13	2.92	26.03	3.03	27.93	3.14	29.31	3.17	31.74	3.23	33.64	3.30		

TC = Total Capacity (kBtu/h).

PI = Power Input (kW).

Nominal capacity as rated: 0 ft. above sea level with 25 ft. of refrigerant piping.
0 ft. level difference between outdoor and indoor units.

Nominal cooling capacity rating obtained with air entering the indoor unit at 80°F dry bulb (DB) and 67°F wet bulb (WB), and outdoor ambient conditions of 95°F dry bulb (DB) and 75°F wet bulb (WB).

The shaded table rows indicate reference data. When operating at this temperature, these values can be different if the system is not running consistently.

Table 102: LMU36CHV Cooling Capacity Table — Non-Ducted Indoor Units (continued).

Connected Indoor Units	Combination Capacity Index	Outdoor Air Temp. (°F DB)	Indoor Air Temp. °F DB / °F WB											
			68 / 57		73 / 61		77 / 64		80 / 67		86 / 72		90 / 75	
			TC	PI	TC	PI	TC	PI	TC	PI	TC	PI	TC	PI
Four (4) Non-Ducted Indoor Units	7 + 7 + 7 + 7	14	27.45	1.38	29.15	1.43	30.86	1.48	32.09	1.50	34.27	1.52	35.97	1.55
		20	27.43	1.40	29.13	1.45	30.83	1.50	32.06	1.52	34.24	1.55	35.94	1.58
		25	27.41	1.42	29.11	1.47	30.81	1.52	32.04	1.54	34.21	1.57	35.92	1.60
		30	27.39	1.44	29.09	1.49	30.79	1.54	32.02	1.56	34.19	1.59	35.89	1.62
		35	27.36	1.46	29.06	1.51	30.76	1.56	31.99	1.58	34.16	1.61	35.86	1.64
		40	27.34	1.48	29.04	1.53	30.74	1.59	31.97	1.60	34.14	1.63	35.83	1.67
		45	27.32	1.50	29.02	1.55	30.72	1.61	31.94	1.63	34.11	1.66	35.81	1.69
		50	27.30	1.52	29.00	1.57	30.69	1.63	31.92	1.65	34.08	1.68	35.78	1.71
		55	27.28	1.54	28.98	1.59	30.67	1.65	31.89	1.67	34.06	1.70	35.75	1.73
		60	27.26	1.55	28.95	1.61	30.65	1.67	31.87	1.69	34.03	1.72	35.72	1.76
		65	27.24	1.57	28.93	1.63	30.62	1.69	31.84	1.71	34.01	1.74	35.70	1.78
		70	27.22	1.59	28.91	1.65	30.60	1.71	31.82	1.73	33.98	1.77	35.67	1.80
		75	26.56	1.68	28.25	1.74	29.94	1.81	31.15	1.83	33.31	1.86	34.99	1.90
		80	25.91	1.77	27.59	1.83	29.27	1.90	30.49	1.92	32.64	1.96	34.32	1.99
		85	25.26	1.85	26.94	1.92	28.61	1.99	29.83	2.01	31.97	2.05	33.65	2.09
		90	24.61	1.94	26.28	2.01	27.96	2.08	29.17	2.11	31.30	2.15	32.98	2.19
		95	23.91	2.02	25.57	2.10	27.24	2.17	28.00	2.20	30.57	2.24	32.23	2.29
		100	23.32	2.11	24.99	2.19	26.65	2.27	27.64	2.29	29.98	2.34	31.65	2.38
		105	22.74	2.20	24.41	2.28	26.07	2.36	27.27	2.39	29.40	2.43	31.07	2.48
		110	22.16	2.28	23.82	2.37	25.49	2.45	26.69	2.48	28.82	2.53	30.49	2.58
		115	21.58	2.37	23.24	2.45	24.91	2.54	26.11	2.57	28.24	2.62	29.90	2.67
	118	21.23	2.42	22.89	2.51	24.56	2.60	25.76	2.63	27.89	2.68	29.55	2.73	
	122	21.11	2.49	22.78	2.58	24.44	2.67	25.64	2.70	27.77	2.76	29.44	2.81	
	14	29.41	1.47	31.24	1.52	33.06	1.58	34.38	1.60	36.71	1.63	38.54	1.66	
	20	29.39	1.49	31.21	1.55	33.04	1.60	34.35	1.62	36.69	1.65	38.51	1.68	
	25	29.36	1.51	31.19	1.57	33.01	1.63	34.33	1.64	36.66	1.67	38.48	1.71	
	30	29.34	1.53	31.16	1.59	32.99	1.65	34.30	1.67	36.63	1.70	38.45	1.73	
	35	29.32	1.56	31.14	1.61	32.96	1.67	34.28	1.69	36.60	1.72	38.42	1.76	
	40	29.30	1.58	31.12	1.63	32.94	1.69	34.25	1.71	36.57	1.75	38.39	1.78	
	45	29.27	1.60	31.09	1.66	32.91	1.72	34.22	1.74	36.55	1.77	38.36	1.80	
	50	29.25	1.62	31.07	1.68	32.89	1.74	34.20	1.76	36.52	1.79	38.34	1.83	
	55	29.23	1.64	31.04	1.70	32.86	1.76	34.17	1.78	36.49	1.82	38.31	1.85	
	60	29.21	1.66	31.02	1.72	32.83	1.78	34.14	1.80	36.46	1.84	38.28	1.88	
	65	29.18	1.68	31.00	1.74	32.81	1.81	34.12	1.83	36.43	1.86	38.25	1.90	
	70	29.16	1.70	30.97	1.77	32.78	1.83	34.09	1.85	36.41	1.89	38.22	1.92	
	75	28.46	1.79	30.27	1.86	32.07	1.93	33.38	1.95	35.69	1.99	37.49	2.03	
	80	27.76	1.89	29.56	1.96	31.36	2.03	32.66	2.05	34.97	2.09	36.77	2.13	
	85	27.06	1.98	28.86	2.05	30.66	2.13	31.96	2.15	34.25	2.19	36.05	2.23	
	90	26.37	2.07	28.16	2.15	29.95	2.22	31.25	2.25	33.54	2.29	35.33	2.34	
	95	25.61	2.16	27.40	2.24	29.18	2.32	30.00	2.35	32.75	2.39	34.53	2.44	
	100	24.99	2.25	26.77	2.34	28.56	2.42	29.61	2.45	32.13	2.50	33.91	2.55	
	105	24.37	2.35	26.15	2.43	27.93	2.52	29.22	2.55	31.50	2.60	33.29	2.65	
110	23.74	2.44	25.53	2.53	27.31	2.62	28.60	2.65	30.88	2.70	32.66	2.75		
115	23.12	2.53	24.90	2.62	26.69	2.72	27.98	2.75	30.26	2.80	32.04	2.86		
118	22.74	2.59	24.53	2.68	26.31	2.78	27.60	2.81	29.88	2.86	31.67	2.92		
122	22.62	2.66	24.40	2.76	26.19	2.86	27.48	2.89	29.76	2.94	31.54	3.00		

TC = Total Capacity (kBtu/h).

PI = Power Input (kW).

Nominal capacity as rated: 0 ft. above sea level with 25 ft. of refrigerant piping.
0 ft. level difference between outdoor and indoor units.

Nominal cooling capacity rating obtained with air entering the indoor unit at 80°F dry bulb (DB) and 67°F wet bulb (WB), and outdoor ambient conditions of 95°F dry bulb (DB) and 75°F wet bulb (WB).

The shaded table rows indicate reference data. When operating at this temperature, these values can be different if the system is not running consistently.

PERFORMANCE DATA

Cooling Capacity Tables

MULTI F
MULTI F MAX

Table 103: LMU36CHV Cooling Capacity Table — Non-Ducted Indoor Units (continued).

Connected Indoor Units	Combination Capacity Index	Outdoor Air Temp. (°F DB)	Indoor Air Temp. °F DB / °F WB											
			68 / 57		73 / 61		77 / 64		80 / 67		86 / 72		90 / 75	
			TC	PI	TC	PI	TC	PI	TC	PI	TC	PI	TC	PI
Four (4) Non-Ducted Indoor Units	7 + 7 + 9 + 9	14	31.37	1.54	33.32	1.60	35.27	1.65	36.67	1.67	39.16	1.71	41.11	1.74
		20	31.35	1.56	33.29	1.62	35.24	1.68	36.64	1.70	39.13	1.73	41.08	1.76
		25	31.32	1.58	33.27	1.64	35.21	1.70	36.62	1.72	39.10	1.75	41.05	1.79
		30	31.30	1.61	33.24	1.67	35.19	1.73	36.59	1.75	39.07	1.78	41.02	1.81
		35	31.27	1.63	33.22	1.69	35.16	1.75	36.56	1.77	39.04	1.80	40.99	1.84
		40	31.25	1.65	33.19	1.71	35.13	1.77	36.53	1.79	39.01	1.83	40.95	1.86
		45	31.23	1.67	33.17	1.73	35.10	1.80	36.51	1.82	38.98	1.85	40.92	1.89
		50	31.20	1.69	33.14	1.76	35.08	1.82	36.48	1.84	38.95	1.88	40.89	1.91
		55	31.18	1.72	33.11	1.78	35.05	1.84	36.45	1.87	38.92	1.90	40.86	1.94
		60	31.15	1.74	33.09	1.80	35.02	1.87	36.42	1.89	38.89	1.93	40.83	1.96
		65	31.13	1.76	33.06	1.83	35.00	1.89	36.39	1.91	38.86	1.95	40.80	1.99
		70	31.11	1.78	33.04	1.85	34.97	1.92	36.37	1.94	38.83	1.97	40.77	2.01
		75	30.36	1.88	32.28	1.95	34.21	2.02	35.60	2.04	38.07	2.08	39.99	2.12
		80	29.61	1.98	31.53	2.05	33.45	2.12	34.84	2.15	37.30	2.19	39.22	2.23
		85	28.87	2.07	30.78	2.15	32.70	2.23	34.09	2.25	36.54	2.29	38.46	2.34
		90	28.13	2.17	30.04	2.25	31.95	2.33	33.33	2.36	35.78	2.40	37.69	2.45
		95	27.32	2.26	29.22	2.35	31.13	2.43	32.00	2.46	34.93	2.51	36.84	2.56
		100	26.65	2.36	28.56	2.45	30.46	2.54	31.59	2.57	34.27	2.61	36.17	2.67
		105	25.99	2.46	27.89	2.55	29.80	2.64	31.17	2.67	33.60	2.72	35.51	2.77
		110	25.32	2.55	27.23	2.65	29.13	2.74	30.51	2.77	32.94	2.83	34.84	2.88
		115	24.66	2.65	26.56	2.75	28.47	2.85	29.84	2.88	32.27	2.93	34.18	2.99
	118	24.26	2.71	26.16	2.81	28.07	2.91	29.44	2.94	31.87	3.00	33.78	3.06	
	122	24.13	2.78	26.03	2.89	27.93	2.99	29.31	3.03	31.74	3.08	33.64	3.14	
	7 + 7 + 7 + 12	14	31.37	1.54	33.32	1.60	35.27	1.65	36.67	1.67	39.16	1.71	41.11	1.74
		20	31.35	1.56	33.29	1.62	35.24	1.68	36.64	1.70	39.13	1.73	41.08	1.76
		25	31.32	1.58	33.27	1.64	35.21	1.70	36.62	1.72	39.10	1.75	41.05	1.79
		30	31.30	1.61	33.24	1.67	35.19	1.73	36.59	1.75	39.07	1.78	41.02	1.81
		35	31.27	1.63	33.22	1.69	35.16	1.75	36.56	1.77	39.04	1.80	40.99	1.84
		40	31.25	1.65	33.19	1.71	35.13	1.77	36.53	1.79	39.01	1.83	40.95	1.86
		45	31.23	1.67	33.17	1.73	35.10	1.80	36.51	1.82	38.98	1.85	40.92	1.89
		50	31.20	1.69	33.14	1.76	35.08	1.82	36.48	1.84	38.95	1.88	40.89	1.91
		55	31.18	1.72	33.11	1.78	35.05	1.84	36.45	1.87	38.92	1.90	40.86	1.94
		60	31.15	1.74	33.09	1.80	35.02	1.87	36.42	1.89	38.89	1.93	40.83	1.96
		65	31.13	1.76	33.06	1.83	35.00	1.89	36.39	1.91	38.86	1.95	40.80	1.99
		70	31.11	1.78	33.04	1.85	34.97	1.92	36.37	1.94	38.83	1.97	40.77	2.01
		75	30.36	1.88	32.28	1.95	34.21	2.02	35.60	2.04	38.07	2.08	39.99	2.12
		80	29.61	1.98	31.53	2.05	33.45	2.12	34.84	2.15	37.30	2.19	39.22	2.23
		85	28.87	2.07	30.78	2.15	32.70	2.23	34.09	2.25	36.54	2.29	38.46	2.34
		90	28.13	2.17	30.04	2.25	31.95	2.33	33.33	2.36	35.78	2.40	37.69	2.45
		95	27.32	2.26	29.22	2.35	31.13	2.43	32.00	2.46	34.93	2.51	36.84	2.56
		100	26.65	2.36	28.56	2.45	30.46	2.54	31.59	2.57	34.27	2.61	36.17	2.67
		105	25.99	2.46	27.89	2.55	29.80	2.64	31.17	2.67	33.60	2.72	35.51	2.77
110		25.32	2.55	27.23	2.65	29.13	2.74	30.51	2.77	32.94	2.83	34.84	2.88	
115		24.66	2.65	26.56	2.75	28.47	2.85	29.84	2.88	32.27	2.93	34.18	2.99	
118	24.26	2.71	26.16	2.81	28.07	2.91	29.44	2.94	31.87	3.00	33.78	3.06		
122	24.13	2.78	26.03	2.89	27.93	2.99	29.31	3.03	31.74	3.08	33.64	3.14		

TC = Total Capacity (kBtu/h).

PI = Power Input (kW).

Nominal capacity as rated: 0 ft. above sea level with 25 ft. of refrigerant piping.
0 ft. level difference between outdoor and indoor units.

Nominal cooling capacity rating obtained with air entering the indoor unit at 80°F dry bulb (DB) and 67°F wet bulb (WB), and outdoor ambient conditions of 95°F dry bulb (DB) and 75°F wet bulb (WB).

The shaded table rows indicate reference data. When operating at this temperature, these values can be different if the system is not running consistently.

Multi F and Multi F MAX Heat Pump System Engineering Manual

Table 104: LMU36CHV Cooling Capacity Table — Non-Ducted Indoor Units (continued).

Connected Indoor Units	Combination Capacity Index	Outdoor Air Temp. (°F DB)	Indoor Air Temp. °F DB / °F WB											
			68 / 57		73 / 61		77 / 64		80 / 67		86 / 72		90 / 75	
			TC	PI	TC	PI	TC	PI	TC	PI	TC	PI	TC	PI
Four (4) Non-Ducted Indoor Units	7 + 9 + 9 + 9	14	31.37	1.54	33.32	1.60	35.27	1.65	36.67	1.67	39.16	1.71	41.11	1.74
		20	31.35	1.56	33.29	1.62	35.24	1.68	36.64	1.70	39.13	1.73	41.08	1.76
		25	31.32	1.58	33.27	1.64	35.21	1.70	36.62	1.72	39.10	1.75	41.05	1.79
		30	31.30	1.61	33.24	1.67	35.19	1.73	36.59	1.75	39.07	1.78	41.02	1.81
		35	31.27	1.63	33.22	1.69	35.16	1.75	36.56	1.77	39.04	1.80	40.99	1.84
		40	31.25	1.65	33.19	1.71	35.13	1.77	36.53	1.79	39.01	1.83	40.95	1.86
		45	31.23	1.67	33.17	1.73	35.10	1.80	36.51	1.82	38.98	1.85	40.92	1.89
		50	31.20	1.69	33.14	1.76	35.08	1.82	36.48	1.84	38.95	1.88	40.89	1.91
		55	31.18	1.72	33.11	1.78	35.05	1.84	36.45	1.87	38.92	1.90	40.86	1.94
		60	31.15	1.74	33.09	1.80	35.02	1.87	36.42	1.89	38.89	1.93	40.83	1.96
		65	31.13	1.76	33.06	1.83	35.00	1.89	36.39	1.91	38.86	1.95	40.80	1.99
		70	31.11	1.78	33.04	1.85	34.97	1.92	36.37	1.94	38.83	1.97	40.77	2.01
		75	30.36	1.88	32.28	1.95	34.21	2.02	35.60	2.04	38.07	2.08	39.99	2.12
		80	29.61	1.98	31.53	2.05	33.45	2.12	34.84	2.15	37.30	2.19	39.22	2.23
		85	28.87	2.07	30.78	2.15	32.70	2.23	34.09	2.25	36.54	2.29	38.46	2.34
		90	28.13	2.17	30.04	2.25	31.95	2.33	33.33	2.36	35.78	2.40	37.69	2.45
		95	27.32	2.26	29.22	2.35	31.13	2.43	32.00	2.46	34.93	2.51	36.84	2.56
		100	26.65	2.36	28.56	2.45	30.46	2.54	31.59	2.57	34.27	2.61	36.17	2.67
		105	25.99	2.46	27.89	2.55	29.80	2.64	31.17	2.67	33.60	2.72	35.51	2.77
		110	25.32	2.55	27.23	2.65	29.13	2.74	30.51	2.77	32.94	2.83	34.84	2.88
		115	24.66	2.65	26.56	2.75	28.47	2.85	29.84	2.88	32.27	2.93	34.18	2.99
	118	24.26	2.71	26.16	2.81	28.07	2.91	29.44	2.94	31.87	3.00	33.78	3.06	
	122	24.13	2.78	26.03	2.89	27.93	2.99	29.31	3.03	31.74	3.08	33.64	3.14	
	7 + 7 + 9 + 12	14	31.37	1.54	33.32	1.60	35.27	1.65	36.67	1.67	39.16	1.71	41.11	1.74
		20	31.35	1.56	33.29	1.62	35.24	1.68	36.64	1.70	39.13	1.73	41.08	1.76
		25	31.32	1.58	33.27	1.64	35.21	1.70	36.62	1.72	39.10	1.75	41.05	1.79
		30	31.30	1.61	33.24	1.67	35.19	1.73	36.59	1.75	39.07	1.78	41.02	1.81
		35	31.27	1.63	33.22	1.69	35.16	1.75	36.56	1.77	39.04	1.80	40.99	1.84
		40	31.25	1.65	33.19	1.71	35.13	1.77	36.53	1.79	39.01	1.83	40.95	1.86
		45	31.23	1.67	33.17	1.73	35.10	1.80	36.51	1.82	38.98	1.85	40.92	1.89
		50	31.20	1.69	33.14	1.76	35.08	1.82	36.48	1.84	38.95	1.88	40.89	1.91
		55	31.18	1.72	33.11	1.78	35.05	1.84	36.45	1.87	38.92	1.90	40.86	1.94
		60	31.15	1.74	33.09	1.80	35.02	1.87	36.42	1.89	38.89	1.93	40.83	1.96
		65	31.13	1.76	33.06	1.83	35.00	1.89	36.39	1.91	38.86	1.95	40.80	1.99
		70	31.11	1.78	33.04	1.85	34.97	1.92	36.37	1.94	38.83	1.97	40.77	2.01
		75	30.36	1.88	32.28	1.95	34.21	2.02	35.60	2.04	38.07	2.08	39.99	2.12
		80	29.61	1.98	31.53	2.05	33.45	2.12	34.84	2.15	37.30	2.19	39.22	2.23
		85	28.87	2.07	30.78	2.15	32.70	2.23	34.09	2.25	36.54	2.29	38.46	2.34
		90	28.13	2.17	30.04	2.25	31.95	2.33	33.33	2.36	35.78	2.40	37.69	2.45
		95	27.32	2.26	29.22	2.35	31.13	2.43	32.00	2.46	34.93	2.51	36.84	2.56
		100	26.65	2.36	28.56	2.45	30.46	2.54	31.59	2.57	34.27	2.61	36.17	2.67
		105	25.99	2.46	27.89	2.55	29.80	2.64	31.17	2.67	33.60	2.72	35.51	2.77
110		25.32	2.55	27.23	2.65	29.13	2.74	30.51	2.77	32.94	2.83	34.84	2.88	
115		24.66	2.65	26.56	2.75	28.47	2.85	29.84	2.88	32.27	2.93	34.18	2.99	
118	24.26	2.71	26.16	2.81	28.07	2.91	29.44	2.94	31.87	3.00	33.78	3.06		
122	24.13	2.78	26.03	2.89	27.93	2.99	29.31	3.03	31.74	3.08	33.64	3.14		

TC = Total Capacity (kBtu/h).

PI = Power Input (kW).

Nominal capacity as rated: 0 ft. above sea level with 25 ft. of refrigerant piping.
0 ft. level difference between outdoor and indoor units.

Nominal cooling capacity rating obtained with air entering the indoor unit at 80°F dry bulb (DB) and 67°F wet bulb (WB), and outdoor ambient conditions of 95°F dry bulb (DB) and 75°F wet bulb (WB).

The shaded table rows indicate reference data. When operating at this temperature, these values can be different if the system is not running consistently.

PERFORMANCE DATA

Cooling Capacity Tables

MULTI F
MULTI F MAX

Table 105: LMU36CHV Cooling Capacity Table — Non-Ducted Indoor Units (continued).

Connected Indoor Units	Combination Capacity Index	Outdoor Air Temp. (°F DB)	Indoor Air Temp. °F DB / °F WB											
			68 / 57		73 / 61		77 / 64		80 / 67		86 / 72		90 / 75	
			TC	PI	TC	PI	TC	PI	TC	PI	TC	PI	TC	PI
Four (4) Non-Ducted Indoor Units	7 + 7 + 7 + 15	14	31.37	1.54	33.32	1.60	35.27	1.65	36.67	1.67	39.16	1.71	41.11	1.74
		20	31.35	1.56	33.29	1.62	35.24	1.68	36.64	1.70	39.13	1.73	41.08	1.76
		25	31.32	1.58	33.27	1.64	35.21	1.70	36.62	1.72	39.10	1.75	41.05	1.79
		30	31.30	1.61	33.24	1.67	35.19	1.73	36.59	1.75	39.07	1.78	41.02	1.81
		35	31.27	1.63	33.22	1.69	35.16	1.75	36.56	1.77	39.04	1.80	40.99	1.84
		40	31.25	1.65	33.19	1.71	35.13	1.77	36.53	1.79	39.01	1.83	40.95	1.86
		45	31.23	1.67	33.17	1.73	35.10	1.80	36.51	1.82	38.98	1.85	40.92	1.89
		50	31.20	1.69	33.14	1.76	35.08	1.82	36.48	1.84	38.95	1.88	40.89	1.91
		55	31.18	1.72	33.11	1.78	35.05	1.84	36.45	1.87	38.92	1.90	40.86	1.94
		60	31.15	1.74	33.09	1.80	35.02	1.87	36.42	1.89	38.89	1.93	40.83	1.96
		65	31.13	1.76	33.06	1.83	35.00	1.89	36.39	1.91	38.86	1.95	40.80	1.99
		70	31.11	1.78	33.04	1.85	34.97	1.92	36.37	1.94	38.83	1.97	40.77	2.01
		75	30.36	1.88	32.28	1.95	34.21	2.02	35.60	2.04	38.07	2.08	39.99	2.12
		80	29.61	1.98	31.53	2.05	33.45	2.12	34.84	2.15	37.30	2.19	39.22	2.23
		85	28.87	2.07	30.78	2.15	32.70	2.23	34.09	2.25	36.54	2.29	38.46	2.34
		90	28.13	2.17	30.04	2.25	31.95	2.33	33.33	2.36	35.78	2.40	37.69	2.45
		95	27.32	2.26	29.22	2.35	31.13	2.43	32.00	2.46	34.93	2.51	36.84	2.56
		100	26.65	2.36	28.56	2.45	30.46	2.54	31.59	2.57	34.27	2.61	36.17	2.67
		105	25.99	2.46	27.89	2.55	29.80	2.64	31.17	2.67	33.60	2.72	35.51	2.77
		110	25.32	2.55	27.23	2.65	29.13	2.74	30.51	2.77	32.94	2.83	34.84	2.88
		115	24.66	2.65	26.56	2.75	28.47	2.85	29.84	2.88	32.27	2.93	34.18	2.99
	118	24.26	2.71	26.16	2.81	28.07	2.91	29.44	2.94	31.87	3.00	33.78	3.06	
	122	24.13	2.78	26.03	2.89	27.93	2.99	29.31	3.03	31.74	3.08	33.64	3.14	
	9 + 9 + 9 + 9	14	31.37	1.54	33.32	1.60	35.27	1.65	36.67	1.67	39.16	1.71	41.11	1.74
		20	31.35	1.56	33.29	1.62	35.24	1.68	36.64	1.70	39.13	1.73	41.08	1.76
		25	31.32	1.58	33.27	1.64	35.21	1.70	36.62	1.72	39.10	1.75	41.05	1.79
		30	31.30	1.61	33.24	1.67	35.19	1.73	36.59	1.75	39.07	1.78	41.02	1.81
		35	31.27	1.63	33.22	1.69	35.16	1.75	36.56	1.77	39.04	1.80	40.99	1.84
		40	31.25	1.65	33.19	1.71	35.13	1.77	36.53	1.79	39.01	1.83	40.95	1.86
		45	31.23	1.67	33.17	1.73	35.10	1.80	36.51	1.82	38.98	1.85	40.92	1.89
		50	31.20	1.69	33.14	1.76	35.08	1.82	36.48	1.84	38.95	1.88	40.89	1.91
		55	31.18	1.72	33.11	1.78	35.05	1.84	36.45	1.87	38.92	1.90	40.86	1.94
		60	31.15	1.74	33.09	1.80	35.02	1.87	36.42	1.89	38.89	1.93	40.83	1.96
		65	31.13	1.76	33.06	1.83	35.00	1.89	36.39	1.91	38.86	1.95	40.80	1.99
		70	31.11	1.78	33.04	1.85	34.97	1.92	36.37	1.94	38.83	1.97	40.77	2.01
		75	30.36	1.88	32.28	1.95	34.21	2.02	35.60	2.04	38.07	2.08	39.99	2.12
		80	29.61	1.98	31.53	2.05	33.45	2.12	34.84	2.15	37.30	2.19	39.22	2.23
		85	28.87	2.07	30.78	2.15	32.70	2.23	34.09	2.25	36.54	2.29	38.46	2.34
		90	28.13	2.17	30.04	2.25	31.95	2.33	33.33	2.36	35.78	2.40	37.69	2.45
		95	27.32	2.26	29.22	2.35	31.13	2.43	32.00	2.46	34.93	2.51	36.84	2.56
		100	26.65	2.36	28.56	2.45	30.46	2.54	31.59	2.57	34.27	2.61	36.17	2.67
		105	25.99	2.46	27.89	2.55	29.80	2.64	31.17	2.67	33.60	2.72	35.51	2.77
110		25.32	2.55	27.23	2.65	29.13	2.74	30.51	2.77	32.94	2.83	34.84	2.88	
115		24.66	2.65	26.56	2.75	28.47	2.85	29.84	2.88	32.27	2.93	34.18	2.99	
118	24.26	2.71	26.16	2.81	28.07	2.91	29.44	2.94	31.87	3.00	33.78	3.06		
122	24.13	2.78	26.03	2.89	27.93	2.99	29.31	3.03	31.74	3.08	33.64	3.14		

TC = Total Capacity (kBtu/h).

PI = Power Input (kW).

Nominal capacity as rated: 0 ft. above sea level with 25 ft. of refrigerant piping.
0 ft. level difference between outdoor and indoor units.

Nominal cooling capacity rating obtained with air entering the indoor unit at 80°F dry bulb (DB) and 67°F wet bulb (WB), and outdoor ambient conditions of 95°F dry bulb (DB) and 75°F wet bulb (WB).

The shaded table rows indicate reference data. When operating at this temperature, these values can be different if the system is not running consistently.

Table 106: LMU36CHV Cooling Capacity Table — Non-Ducted Indoor Units (continued).

Connected Indoor Units	Combination Capacity Index	Outdoor Air Temp. (°F DB)	Indoor Air Temp. °F DB / °F WB											
			68 / 57		73 / 61		77 / 64		80 / 67		86 / 72		90 / 75	
			TC	PI	TC	PI	TC	PI	TC	PI	TC	PI	TC	PI
Four (4) Non-Ducted Indoor Units	7 + 9 + 9 + 12	14	31.37	1.54	33.32	1.60	35.27	1.65	36.67	1.67	39.16	1.71	41.11	1.74
		20	31.35	1.56	33.29	1.62	35.24	1.68	36.64	1.70	39.13	1.73	41.08	1.76
		25	31.32	1.58	33.27	1.64	35.21	1.70	36.62	1.72	39.10	1.75	41.05	1.79
		30	31.30	1.61	33.24	1.67	35.19	1.73	36.59	1.75	39.07	1.78	41.02	1.81
		35	31.27	1.63	33.22	1.69	35.16	1.75	36.56	1.77	39.04	1.80	40.99	1.84
		40	31.25	1.65	33.19	1.71	35.13	1.77	36.53	1.79	39.01	1.83	40.95	1.86
		45	31.23	1.67	33.17	1.73	35.10	1.80	36.51	1.82	38.98	1.85	40.92	1.89
		50	31.20	1.69	33.14	1.76	35.08	1.82	36.48	1.84	38.95	1.88	40.89	1.91
		55	31.18	1.72	33.11	1.78	35.05	1.84	36.45	1.87	38.92	1.90	40.86	1.94
		60	31.15	1.74	33.09	1.80	35.02	1.87	36.42	1.89	38.89	1.93	40.83	1.96
		65	31.13	1.76	33.06	1.83	35.00	1.89	36.39	1.91	38.86	1.95	40.80	1.99
		70	31.11	1.78	33.04	1.85	34.97	1.92	36.37	1.94	38.83	1.97	40.77	2.01
		75	30.36	1.88	32.28	1.95	34.21	2.02	35.60	2.04	38.07	2.08	39.99	2.12
		80	29.61	1.98	31.53	2.05	33.45	2.12	34.84	2.15	37.30	2.19	39.22	2.23
		85	28.87	2.07	30.78	2.15	32.70	2.23	34.09	2.25	36.54	2.29	38.46	2.34
		90	28.13	2.17	30.04	2.25	31.95	2.33	33.33	2.36	35.78	2.40	37.69	2.45
		95	27.32	2.26	29.22	2.35	31.13	2.43	32.00	2.46	34.93	2.51	36.84	2.56
		100	26.65	2.36	28.56	2.45	30.46	2.54	31.59	2.57	34.27	2.61	36.17	2.67
		105	25.99	2.46	27.89	2.55	29.80	2.64	31.17	2.67	33.60	2.72	35.51	2.77
		110	25.32	2.55	27.23	2.65	29.13	2.74	30.51	2.77	32.94	2.83	34.84	2.88
		115	24.66	2.65	26.56	2.75	28.47	2.85	29.84	2.88	32.27	2.93	34.18	2.99
	118	24.26	2.71	26.16	2.81	28.07	2.91	29.44	2.94	31.87	3.00	33.78	3.06	
	122	24.13	2.78	26.03	2.89	27.93	2.99	29.31	3.03	31.74	3.08	33.64	3.14	
	7 + 7 + 9 + 15	14	31.37	1.54	33.32	1.60	35.27	1.65	36.67	1.67	39.16	1.71	41.11	1.74
		20	31.35	1.56	33.29	1.62	35.24	1.68	36.64	1.70	39.13	1.73	41.08	1.76
		25	31.32	1.58	33.27	1.64	35.21	1.70	36.62	1.72	39.10	1.75	41.05	1.79
		30	31.30	1.61	33.24	1.67	35.19	1.73	36.59	1.75	39.07	1.78	41.02	1.81
		35	31.27	1.63	33.22	1.69	35.16	1.75	36.56	1.77	39.04	1.80	40.99	1.84
		40	31.25	1.65	33.19	1.71	35.13	1.77	36.53	1.79	39.01	1.83	40.95	1.86
		45	31.23	1.67	33.17	1.73	35.10	1.80	36.51	1.82	38.98	1.85	40.92	1.89
		50	31.20	1.69	33.14	1.76	35.08	1.82	36.48	1.84	38.95	1.88	40.89	1.91
		55	31.18	1.72	33.11	1.78	35.05	1.84	36.45	1.87	38.92	1.90	40.86	1.94
		60	31.15	1.74	33.09	1.80	35.02	1.87	36.42	1.89	38.89	1.93	40.83	1.96
		65	31.13	1.76	33.06	1.83	35.00	1.89	36.39	1.91	38.86	1.95	40.80	1.99
		70	31.11	1.78	33.04	1.85	34.97	1.92	36.37	1.94	38.83	1.97	40.77	2.01
		75	30.36	1.88	32.28	1.95	34.21	2.02	35.60	2.04	38.07	2.08	39.99	2.12
		80	29.61	1.98	31.53	2.05	33.45	2.12	34.84	2.15	37.30	2.19	39.22	2.23
		85	28.87	2.07	30.78	2.15	32.70	2.23	34.09	2.25	36.54	2.29	38.46	2.34
		90	28.13	2.17	30.04	2.25	31.95	2.33	33.33	2.36	35.78	2.40	37.69	2.45
		95	27.32	2.26	29.22	2.35	31.13	2.43	32.00	2.46	34.93	2.51	36.84	2.56
		100	26.65	2.36	28.56	2.45	30.46	2.54	31.59	2.57	34.27	2.61	36.17	2.67
		105	25.99	2.46	27.89	2.55	29.80	2.64	31.17	2.67	33.60	2.72	35.51	2.77
110		25.32	2.55	27.23	2.65	29.13	2.74	30.51	2.77	32.94	2.83	34.84	2.88	
115		24.66	2.65	26.56	2.75	28.47	2.85	29.84	2.88	32.27	2.93	34.18	2.99	
118	24.26	2.71	26.16	2.81	28.07	2.91	29.44	2.94	31.87	3.00	33.78	3.06		
122	24.13	2.78	26.03	2.89	27.93	2.99	29.31	3.03	31.74	3.08	33.64	3.14		

TC = Total Capacity (kBtu/h).

PI = Power Input (kW).

Nominal capacity as rated: 0 ft. above sea level with 25 ft. of refrigerant piping.
0 ft. level difference between outdoor and indoor units.

Nominal cooling capacity rating obtained with air entering the indoor unit at 80°F dry bulb (DB) and 67°F wet bulb (WB), and outdoor ambient conditions of 95°F dry bulb (DB) and 75°F wet bulb (WB).

The shaded table rows indicate reference data. When operating at this temperature, these values can be different if the system is not running consistently.

Multi F Outdoor Unit Data

PERFORMANCE DATA

Cooling Capacity Tables

MULTI F
MULTI F MAX

Table 107: LMU36CHV Cooling Capacity Table — Non-Ducted Indoor Units (continued).

Connected Indoor Units	Combination Capacity Index	Outdoor Air Temp. (°F DB)	Indoor Air Temp. °F DB / °F WB											
			68 / 57		73 / 61		77 / 64		80 / 67		86 / 72		90 / 75	
			TC	PI	TC	PI	TC	PI	TC	PI	TC	PI	TC	PI
Four (4) Non-Ducted Indoor Units	7 + 7 + 12 + 12	14	31.37	1.54	33.32	1.60	35.27	1.65	36.67	1.67	39.16	1.71	41.11	1.74
		20	31.35	1.56	33.29	1.62	35.24	1.68	36.64	1.70	39.13	1.73	41.08	1.76
		25	31.32	1.58	33.27	1.64	35.21	1.70	36.62	1.72	39.10	1.75	41.05	1.79
		30	31.30	1.61	33.24	1.67	35.19	1.73	36.59	1.75	39.07	1.78	41.02	1.81
		35	31.27	1.63	33.22	1.69	35.16	1.75	36.56	1.77	39.04	1.80	40.99	1.84
		40	31.25	1.65	33.19	1.71	35.13	1.77	36.53	1.79	39.01	1.83	40.95	1.86
		45	31.23	1.67	33.17	1.73	35.10	1.80	36.51	1.82	38.98	1.85	40.92	1.89
		50	31.20	1.69	33.14	1.76	35.08	1.82	36.48	1.84	38.95	1.88	40.89	1.91
		55	31.18	1.72	33.11	1.78	35.05	1.84	36.45	1.87	38.92	1.90	40.86	1.94
		60	31.15	1.74	33.09	1.80	35.02	1.87	36.42	1.89	38.89	1.93	40.83	1.96
		65	31.13	1.76	33.06	1.83	35.00	1.89	36.39	1.91	38.86	1.95	40.80	1.99
		70	31.11	1.78	33.04	1.85	34.97	1.92	36.37	1.94	38.83	1.97	40.77	2.01
		75	30.36	1.88	32.28	1.95	34.21	2.02	35.60	2.04	38.07	2.08	39.99	2.12
		80	29.61	1.98	31.53	2.05	33.45	2.12	34.84	2.15	37.30	2.19	39.22	2.23
		85	28.87	2.07	30.78	2.15	32.70	2.23	34.09	2.25	36.54	2.29	38.46	2.34
		90	28.13	2.17	30.04	2.25	31.95	2.33	33.33	2.36	35.78	2.40	37.69	2.45
		95	27.32	2.26	29.22	2.35	31.13	2.43	32.00	2.46	34.93	2.51	36.84	2.56
		100	26.65	2.36	28.56	2.45	30.46	2.54	31.59	2.57	34.27	2.61	36.17	2.67
		105	25.99	2.46	27.89	2.55	29.80	2.64	31.17	2.67	33.60	2.72	35.51	2.77
		110	25.32	2.55	27.23	2.65	29.13	2.74	30.51	2.77	32.94	2.83	34.84	2.88
		115	24.66	2.65	26.56	2.75	28.47	2.85	29.84	2.88	32.27	2.93	34.18	2.99
	118	24.26	2.71	26.16	2.81	28.07	2.91	29.44	2.94	31.87	3.00	33.78	3.06	
	122	24.13	2.78	26.03	2.89	27.93	2.99	29.31	3.03	31.74	3.08	33.64	3.14	
	7 + 7 + 7 + 18	14	31.37	1.54	33.32	1.60	35.27	1.65	36.67	1.67	39.16	1.71	41.11	1.74
		20	31.35	1.56	33.29	1.62	35.24	1.68	36.64	1.70	39.13	1.73	41.08	1.76
		25	31.32	1.58	33.27	1.64	35.21	1.70	36.62	1.72	39.10	1.75	41.05	1.79
		30	31.30	1.61	33.24	1.67	35.19	1.73	36.59	1.75	39.07	1.78	41.02	1.81
		35	31.27	1.63	33.22	1.69	35.16	1.75	36.56	1.77	39.04	1.80	40.99	1.84
		40	31.25	1.65	33.19	1.71	35.13	1.77	36.53	1.79	39.01	1.83	40.95	1.86
		45	31.23	1.67	33.17	1.73	35.10	1.80	36.51	1.82	38.98	1.85	40.92	1.89
		50	31.20	1.69	33.14	1.76	35.08	1.82	36.48	1.84	38.95	1.88	40.89	1.91
		55	31.18	1.72	33.11	1.78	35.05	1.84	36.45	1.87	38.92	1.90	40.86	1.94
		60	31.15	1.74	33.09	1.80	35.02	1.87	36.42	1.89	38.89	1.93	40.83	1.96
		65	31.13	1.76	33.06	1.83	35.00	1.89	36.39	1.91	38.86	1.95	40.80	1.99
		70	31.11	1.78	33.04	1.85	34.97	1.92	36.37	1.94	38.83	1.97	40.77	2.01
		75	30.36	1.88	32.28	1.95	34.21	2.02	35.60	2.04	38.07	2.08	39.99	2.12
		80	29.61	1.98	31.53	2.05	33.45	2.12	34.84	2.15	37.30	2.19	39.22	2.23
		85	28.87	2.07	30.78	2.15	32.70	2.23	34.09	2.25	36.54	2.29	38.46	2.34
		90	28.13	2.17	30.04	2.25	31.95	2.33	33.33	2.36	35.78	2.40	37.69	2.45
		95	27.32	2.26	29.22	2.35	31.13	2.43	32.00	2.46	34.93	2.51	36.84	2.56
		100	26.65	2.36	28.56	2.45	30.46	2.54	31.59	2.57	34.27	2.61	36.17	2.67
		105	25.99	2.46	27.89	2.55	29.80	2.64	31.17	2.67	33.60	2.72	35.51	2.77
110		25.32	2.55	27.23	2.65	29.13	2.74	30.51	2.77	32.94	2.83	34.84	2.88	
115		24.66	2.65	26.56	2.75	28.47	2.85	29.84	2.88	32.27	2.93	34.18	2.99	
118	24.26	2.71	26.16	2.81	28.07	2.91	29.44	2.94	31.87	3.00	33.78	3.06		
122	24.13	2.78	26.03	2.89	27.93	2.99	29.31	3.03	31.74	3.08	33.64	3.14		

TC = Total Capacity (kBtu/h).

PI = Power Input (kW).

Nominal capacity as rated: 0 ft. above sea level with 25 ft. of refrigerant piping.
0 ft. level difference between outdoor and indoor units.

Nominal cooling capacity rating obtained with air entering the indoor unit at 80°F dry bulb (DB) and 67°F wet bulb (WB), and outdoor ambient conditions of 95°F dry bulb (DB) and 75°F wet bulb (WB).

The shaded table rows indicate reference data. When operating at this temperature, these values can be different if the system is not running consistently.

Multi F and Multi F MAX Heat Pump System Engineering Manual

Table 108: LMU36CHV Cooling Capacity Table — Non-Ducted Indoor Units (continued).

Connected Indoor Units	Combination Capacity Index	Outdoor Air Temp. (°F DB)	Indoor Air Temp. °F DB / °F WB											
			68 / 57		73 / 61		77 / 64		80 / 67		86 / 72		90 / 75	
			TC	PI	TC	PI	TC	PI	TC	PI	TC	PI	TC	PI
Four (4) Non-Ducted Indoor Units	9 + 9 + 9 + 12	14	31.37	1.54	33.32	1.60	35.27	1.65	36.67	1.67	39.16	1.71	41.11	1.74
		20	31.35	1.56	33.29	1.62	35.24	1.68	36.64	1.70	39.13	1.73	41.08	1.76
		25	31.32	1.58	33.27	1.64	35.21	1.70	36.62	1.72	39.10	1.75	41.05	1.79
		30	31.30	1.61	33.24	1.67	35.19	1.73	36.59	1.75	39.07	1.78	41.02	1.81
		35	31.27	1.63	33.22	1.69	35.16	1.75	36.56	1.77	39.04	1.80	40.99	1.84
		40	31.25	1.65	33.19	1.71	35.13	1.77	36.53	1.79	39.01	1.83	40.95	1.86
		45	31.23	1.67	33.17	1.73	35.10	1.80	36.51	1.82	38.98	1.85	40.92	1.89
		50	31.20	1.69	33.14	1.76	35.08	1.82	36.48	1.84	38.95	1.88	40.89	1.91
		55	31.18	1.72	33.11	1.78	35.05	1.84	36.45	1.87	38.92	1.90	40.86	1.94
		60	31.15	1.74	33.09	1.80	35.02	1.87	36.42	1.89	38.89	1.93	40.83	1.96
		65	31.13	1.76	33.06	1.83	35.00	1.89	36.39	1.91	38.86	1.95	40.80	1.99
		70	31.11	1.78	33.04	1.85	34.97	1.92	36.37	1.94	38.83	1.97	40.77	2.01
		75	30.36	1.88	32.28	1.95	34.21	2.02	35.60	2.04	38.07	2.08	39.99	2.12
		80	29.61	1.98	31.53	2.05	33.45	2.12	34.84	2.15	37.30	2.19	39.22	2.23
		85	28.87	2.07	30.78	2.15	32.70	2.23	34.09	2.25	36.54	2.29	38.46	2.34
		90	28.13	2.17	30.04	2.25	31.95	2.33	33.33	2.36	35.78	2.40	37.69	2.45
		95	27.32	2.26	29.22	2.35	31.13	2.43	32.00	2.46	34.93	2.51	36.84	2.56
		100	26.65	2.36	28.56	2.45	30.46	2.54	31.59	2.57	34.27	2.61	36.17	2.67
		105	25.99	2.46	27.89	2.55	29.80	2.64	31.17	2.67	33.60	2.72	35.51	2.77
		110	25.32	2.55	27.23	2.65	29.13	2.74	30.51	2.77	32.94	2.83	34.84	2.88
		115	24.66	2.65	26.56	2.75	28.47	2.85	29.84	2.88	32.27	2.93	34.18	2.99
	118	24.26	2.71	26.16	2.81	28.07	2.91	29.44	2.94	31.87	3.00	33.78	3.06	
	122	24.13	2.78	26.03	2.89	27.93	2.99	29.31	3.03	31.74	3.08	33.64	3.14	
	7 + 9 + 9 + 15	14	31.37	1.54	33.32	1.60	35.27	1.65	36.67	1.67	39.16	1.71	41.11	1.74
		20	31.35	1.56	33.29	1.62	35.24	1.68	36.64	1.70	39.13	1.73	41.08	1.76
		25	31.32	1.58	33.27	1.64	35.21	1.70	36.62	1.72	39.10	1.75	41.05	1.79
		30	31.30	1.61	33.24	1.67	35.19	1.73	36.59	1.75	39.07	1.78	41.02	1.81
		35	31.27	1.63	33.22	1.69	35.16	1.75	36.56	1.77	39.04	1.80	40.99	1.84
		40	31.25	1.65	33.19	1.71	35.13	1.77	36.53	1.79	39.01	1.83	40.95	1.86
		45	31.23	1.67	33.17	1.73	35.10	1.80	36.51	1.82	38.98	1.85	40.92	1.89
		50	31.20	1.69	33.14	1.76	35.08	1.82	36.48	1.84	38.95	1.88	40.89	1.91
		55	31.18	1.72	33.11	1.78	35.05	1.84	36.45	1.87	38.92	1.90	40.86	1.94
		60	31.15	1.74	33.09	1.80	35.02	1.87	36.42	1.89	38.89	1.93	40.83	1.96
		65	31.13	1.76	33.06	1.83	35.00	1.89	36.39	1.91	38.86	1.95	40.80	1.99
		70	31.11	1.78	33.04	1.85	34.97	1.92	36.37	1.94	38.83	1.97	40.77	2.01
		75	30.36	1.88	32.28	1.95	34.21	2.02	35.60	2.04	38.07	2.08	39.99	2.12
		80	29.61	1.98	31.53	2.05	33.45	2.12	34.84	2.15	37.30	2.19	39.22	2.23
		85	28.87	2.07	30.78	2.15	32.70	2.23	34.09	2.25	36.54	2.29	38.46	2.34
		90	28.13	2.17	30.04	2.25	31.95	2.33	33.33	2.36	35.78	2.40	37.69	2.45
		95	27.32	2.26	29.22	2.35	31.13	2.43	32.00	2.46	34.93	2.51	36.84	2.56
		100	26.65	2.36	28.56	2.45	30.46	2.54	31.59	2.57	34.27	2.61	36.17	2.67
		105	25.99	2.46	27.89	2.55	29.80	2.64	31.17	2.67	33.60	2.72	35.51	2.77
110		25.32	2.55	27.23	2.65	29.13	2.74	30.51	2.77	32.94	2.83	34.84	2.88	
115		24.66	2.65	26.56	2.75	28.47	2.85	29.84	2.88	32.27	2.93	34.18	2.99	
118	24.26	2.71	26.16	2.81	28.07	2.91	29.44	2.94	31.87	3.00	33.78	3.06		
122	24.13	2.78	26.03	2.89	27.93	2.99	29.31	3.03	31.74	3.08	33.64	3.14		

TC = Total Capacity (kBtu/h).

PI = Power Input (kW).

Nominal capacity as rated: 0 ft. above sea level with 25 ft. of refrigerant piping.
0 ft. level difference between outdoor and indoor units.

Nominal cooling capacity rating obtained with air entering the indoor unit at 80°F dry bulb (DB) and 67°F wet bulb (WB), and outdoor ambient conditions of 95°F dry bulb (DB) and 75°F wet bulb (WB).

The shaded table rows indicate reference data. When operating at this temperature, these values can be different if the system is not running consistently.

PERFORMANCE DATA

Cooling Capacity Tables

MULTI F
MULTI F MAX

Table 109: LMU36CHV Cooling Capacity Table — Non-Ducted Indoor Units (continued).

Connected Indoor Units	Combination Capacity Index	Outdoor Air Temp. (°F DB)	Indoor Air Temp. °F DB / °F WB											
			68 / 57		73 / 61		77 / 64		80 / 67		86 / 72		90 / 75	
			TC	PI	TC	PI	TC	PI	TC	PI	TC	PI	TC	PI
Four (4) Non-Ducted Indoor Units	7 + 9 + 12 + 12	14	31.37	1.54	33.32	1.60	35.27	1.65	36.67	1.67	39.16	1.71	41.11	1.74
		20	31.35	1.56	33.29	1.62	35.24	1.68	36.64	1.70	39.13	1.73	41.08	1.76
		25	31.32	1.58	33.27	1.64	35.21	1.70	36.62	1.72	39.10	1.75	41.05	1.79
		30	31.30	1.61	33.24	1.67	35.19	1.73	36.59	1.75	39.07	1.78	41.02	1.81
		35	31.27	1.63	33.22	1.69	35.16	1.75	36.56	1.77	39.04	1.80	40.99	1.84
		40	31.25	1.65	33.19	1.71	35.13	1.77	36.53	1.79	39.01	1.83	40.95	1.86
		45	31.23	1.67	33.17	1.73	35.10	1.80	36.51	1.82	38.98	1.85	40.92	1.89
		50	31.20	1.69	33.14	1.76	35.08	1.82	36.48	1.84	38.95	1.88	40.89	1.91
		55	31.18	1.72	33.11	1.78	35.05	1.84	36.45	1.87	38.92	1.90	40.86	1.94
		60	31.15	1.74	33.09	1.80	35.02	1.87	36.42	1.89	38.89	1.93	40.83	1.96
		65	31.13	1.76	33.06	1.83	35.00	1.89	36.39	1.91	38.86	1.95	40.80	1.99
		70	31.11	1.78	33.04	1.85	34.97	1.92	36.37	1.94	38.83	1.97	40.77	2.01
		75	30.36	1.88	32.28	1.95	34.21	2.02	35.60	2.04	38.07	2.08	39.99	2.12
		80	29.61	1.98	31.53	2.05	33.45	2.12	34.84	2.15	37.30	2.19	39.22	2.23
		85	28.87	2.07	30.78	2.15	32.70	2.23	34.09	2.25	36.54	2.29	38.46	2.34
		90	28.13	2.17	30.04	2.25	31.95	2.33	33.33	2.36	35.78	2.40	37.69	2.45
		95	27.32	2.26	29.22	2.35	31.13	2.43	32.00	2.46	34.93	2.51	36.84	2.56
		100	26.65	2.36	28.56	2.45	30.46	2.54	31.59	2.57	34.27	2.61	36.17	2.67
		105	25.99	2.46	27.89	2.55	29.80	2.64	31.17	2.67	33.60	2.72	35.51	2.77
		110	25.32	2.55	27.23	2.65	29.13	2.74	30.51	2.77	32.94	2.83	34.84	2.88
		115	24.66	2.65	26.56	2.75	28.47	2.85	29.84	2.88	32.27	2.93	34.18	2.99
	118	24.26	2.71	26.16	2.81	28.07	2.91	29.44	2.94	31.87	3.00	33.78	3.06	
	122	24.13	2.78	26.03	2.89	27.93	2.99	29.31	3.03	31.74	3.08	33.64	3.14	
	7 + 7 + 9 + 18	14	31.37	1.54	33.32	1.60	35.27	1.65	36.67	1.67	39.16	1.71	41.11	1.74
		20	31.35	1.56	33.29	1.62	35.24	1.68	36.64	1.70	39.13	1.73	41.08	1.76
		25	31.32	1.58	33.27	1.64	35.21	1.70	36.62	1.72	39.10	1.75	41.05	1.79
		30	31.30	1.61	33.24	1.67	35.19	1.73	36.59	1.75	39.07	1.78	41.02	1.81
		35	31.27	1.63	33.22	1.69	35.16	1.75	36.56	1.77	39.04	1.80	40.99	1.84
		40	31.25	1.65	33.19	1.71	35.13	1.77	36.53	1.79	39.01	1.83	40.95	1.86
		45	31.23	1.67	33.17	1.73	35.10	1.80	36.51	1.82	38.98	1.85	40.92	1.89
		50	31.20	1.69	33.14	1.76	35.08	1.82	36.48	1.84	38.95	1.88	40.89	1.91
		55	31.18	1.72	33.11	1.78	35.05	1.84	36.45	1.87	38.92	1.90	40.86	1.94
		60	31.15	1.74	33.09	1.80	35.02	1.87	36.42	1.89	38.89	1.93	40.83	1.96
		65	31.13	1.76	33.06	1.83	35.00	1.89	36.39	1.91	38.86	1.95	40.80	1.99
		70	31.11	1.78	33.04	1.85	34.97	1.92	36.37	1.94	38.83	1.97	40.77	2.01
		75	30.36	1.88	32.28	1.95	34.21	2.02	35.60	2.04	38.07	2.08	39.99	2.12
		80	29.61	1.98	31.53	2.05	33.45	2.12	34.84	2.15	37.30	2.19	39.22	2.23
		85	28.87	2.07	30.78	2.15	32.70	2.23	34.09	2.25	36.54	2.29	38.46	2.34
		90	28.13	2.17	30.04	2.25	31.95	2.33	33.33	2.36	35.78	2.40	37.69	2.45
		95	27.32	2.26	29.22	2.35	31.13	2.43	32.00	2.46	34.93	2.51	36.84	2.56
		100	26.65	2.36	28.56	2.45	30.46	2.54	31.59	2.57	34.27	2.61	36.17	2.67
		105	25.99	2.46	27.89	2.55	29.80	2.64	31.17	2.67	33.60	2.72	35.51	2.77
110		25.32	2.55	27.23	2.65	29.13	2.74	30.51	2.77	32.94	2.83	34.84	2.88	
115		24.66	2.65	26.56	2.75	28.47	2.85	29.84	2.88	32.27	2.93	34.18	2.99	
118	24.26	2.71	26.16	2.81	28.07	2.91	29.44	2.94	31.87	3.00	33.78	3.06		
122	24.13	2.78	26.03	2.89	27.93	2.99	29.31	3.03	31.74	3.08	33.64	3.14		

TC = Total Capacity (kBtu/h).

PI = Power Input (kW).

Nominal capacity as rated: 0 ft. above sea level with 25 ft. of refrigerant piping.
0 ft. level difference between outdoor and indoor units.

Nominal cooling capacity rating obtained with air entering the indoor unit at 80°F dry bulb (DB) and 67°F wet bulb (WB), and outdoor ambient conditions of 95°F dry bulb (DB) and 75°F wet bulb (WB).

The shaded table rows indicate reference data. When operating at this temperature, these values can be different if the system is not running consistently.

Multi F and Multi F MAX Heat Pump System Engineering Manual

Table 110: LMU36CHV Cooling Capacity Table — Non-Ducted Indoor Units (continued).

Connected Indoor Units	Combination Capacity Index	Outdoor Air Temp. (°F DB)	Indoor Air Temp. °F DB / °F WB											
			68 / 57		73 / 61		77 / 64		80 / 67		86 / 72		90 / 75	
			TC	PI	TC	PI	TC	PI	TC	PI	TC	PI	TC	PI
Four (4) Non-Ducted Indoor Units	7 + 7 + 12 + 15	14	31.37	1.54	33.32	1.60	35.27	1.65	36.67	1.67	39.16	1.71	41.11	1.74
		20	31.35	1.56	33.29	1.62	35.24	1.68	36.64	1.70	39.13	1.73	41.08	1.76
		25	31.32	1.58	33.27	1.64	35.21	1.70	36.62	1.72	39.10	1.75	41.05	1.79
		30	31.30	1.61	33.24	1.67	35.19	1.73	36.59	1.75	39.07	1.78	41.02	1.81
		35	31.27	1.63	33.22	1.69	35.16	1.75	36.56	1.77	39.04	1.80	40.99	1.84
		40	31.25	1.65	33.19	1.71	35.13	1.77	36.53	1.79	39.01	1.83	40.95	1.86
		45	31.23	1.67	33.17	1.73	35.10	1.80	36.51	1.82	38.98	1.85	40.92	1.89
		50	31.20	1.69	33.14	1.76	35.08	1.82	36.48	1.84	38.95	1.88	40.89	1.91
		55	31.18	1.72	33.11	1.78	35.05	1.84	36.45	1.87	38.92	1.90	40.86	1.94
		60	31.15	1.74	33.09	1.80	35.02	1.87	36.42	1.89	38.89	1.93	40.83	1.96
		65	31.13	1.76	33.06	1.83	35.00	1.89	36.39	1.91	38.86	1.95	40.80	1.99
		70	31.11	1.78	33.04	1.85	34.97	1.92	36.37	1.94	38.83	1.97	40.77	2.01
		75	30.36	1.88	32.28	1.95	34.21	2.02	35.60	2.04	38.07	2.08	39.99	2.12
		80	29.61	1.98	31.53	2.05	33.45	2.12	34.84	2.15	37.30	2.19	39.22	2.23
		85	28.87	2.07	30.78	2.15	32.70	2.23	34.09	2.25	36.54	2.29	38.46	2.34
		90	28.13	2.17	30.04	2.25	31.95	2.33	33.33	2.36	35.78	2.40	37.69	2.45
		95	27.32	2.26	29.22	2.35	31.13	2.43	32.00	2.46	34.93	2.51	36.84	2.56
		100	26.65	2.36	28.56	2.45	30.46	2.54	31.59	2.57	34.27	2.61	36.17	2.67
		105	25.99	2.46	27.89	2.55	29.80	2.64	31.17	2.67	33.60	2.72	35.51	2.77
		110	25.32	2.55	27.23	2.65	29.13	2.74	30.51	2.77	32.94	2.83	34.84	2.88
		115	24.66	2.65	26.56	2.75	28.47	2.85	29.84	2.88	32.27	2.93	34.18	2.99
	118	24.26	2.71	26.16	2.81	28.07	2.91	29.44	2.94	31.87	3.00	33.78	3.06	
	122	24.13	2.78	26.03	2.89	27.93	2.99	29.31	3.03	31.74	3.08	33.64	3.14	
	9 + 9 + 9 + 15	14	31.37	1.54	33.32	1.60	35.27	1.65	36.67	1.67	39.16	1.71	41.11	1.74
		20	31.35	1.56	33.29	1.62	35.24	1.68	36.64	1.70	39.13	1.73	41.08	1.76
		25	31.32	1.58	33.27	1.64	35.21	1.70	36.62	1.72	39.10	1.75	41.05	1.79
		30	31.30	1.61	33.24	1.67	35.19	1.73	36.59	1.75	39.07	1.78	41.02	1.81
		35	31.27	1.63	33.22	1.69	35.16	1.75	36.56	1.77	39.04	1.80	40.99	1.84
		40	31.25	1.65	33.19	1.71	35.13	1.77	36.53	1.79	39.01	1.83	40.95	1.86
		45	31.23	1.67	33.17	1.73	35.10	1.80	36.51	1.82	38.98	1.85	40.92	1.89
		50	31.20	1.69	33.14	1.76	35.08	1.82	36.48	1.84	38.95	1.88	40.89	1.91
		55	31.18	1.72	33.11	1.78	35.05	1.84	36.45	1.87	38.92	1.90	40.86	1.94
		60	31.15	1.74	33.09	1.80	35.02	1.87	36.42	1.89	38.89	1.93	40.83	1.96
		65	31.13	1.76	33.06	1.83	35.00	1.89	36.39	1.91	38.86	1.95	40.80	1.99
		70	31.11	1.78	33.04	1.85	34.97	1.92	36.37	1.94	38.83	1.97	40.77	2.01
		75	30.36	1.88	32.28	1.95	34.21	2.02	35.60	2.04	38.07	2.08	39.99	2.12
		80	29.61	1.98	31.53	2.05	33.45	2.12	34.84	2.15	37.30	2.19	39.22	2.23
		85	28.87	2.07	30.78	2.15	32.70	2.23	34.09	2.25	36.54	2.29	38.46	2.34
		90	28.13	2.17	30.04	2.25	31.95	2.33	33.33	2.36	35.78	2.40	37.69	2.45
		95	27.32	2.26	29.22	2.35	31.13	2.43	32.00	2.46	34.93	2.51	36.84	2.56
		100	26.65	2.36	28.56	2.45	30.46	2.54	31.59	2.57	34.27	2.61	36.17	2.67
		105	25.99	2.46	27.89	2.55	29.80	2.64	31.17	2.67	33.60	2.72	35.51	2.77
110		25.32	2.55	27.23	2.65	29.13	2.74	30.51	2.77	32.94	2.83	34.84	2.88	
115		24.66	2.65	26.56	2.75	28.47	2.85	29.84	2.88	32.27	2.93	34.18	2.99	
118	24.26	2.71	26.16	2.81	28.07	2.91	29.44	2.94	31.87	3.00	33.78	3.06		
122	24.13	2.78	26.03	2.89	27.93	2.99	29.31	3.03	31.74	3.08	33.64	3.14		

TC = Total Capacity (kBtu/h).

PI = Power Input (kW).

Nominal capacity as rated: 0 ft. above sea level with 25 ft. of refrigerant piping.
0 ft. level difference between outdoor and indoor units.

Nominal cooling capacity rating obtained with air entering the indoor unit at 80°F dry bulb (DB) and 67°F wet bulb (WB), and outdoor ambient conditions of 95°F dry bulb (DB) and 75°F wet bulb (WB).

The shaded table rows indicate reference data. When operating at this temperature, these values can be different if the system is not running consistently.

PERFORMANCE DATA

Cooling Capacity Tables

MULTI F
MULTI F MAX

Table 111: LMU36CHV Cooling Capacity Table — Non-Ducted Indoor Units (continued).

Connected Indoor Units	Combination Capacity Index	Outdoor Air Temp. (°F DB)	Indoor Air Temp. °F DB / °F WB											
			68 / 57		73 / 61		77 / 64		80 / 67		86 / 72		90 / 75	
			TC	PI	TC	PI	TC	PI	TC	PI	TC	PI	TC	PI
Four (4) Non-Ducted Indoor Units	9 + 9 + 12 + 12	14	31.37	1.54	33.32	1.60	35.27	1.65	36.67	1.67	39.16	1.71	41.11	1.74
		20	31.35	1.56	33.29	1.62	35.24	1.68	36.64	1.70	39.13	1.73	41.08	1.76
		25	31.32	1.58	33.27	1.64	35.21	1.70	36.62	1.72	39.10	1.75	41.05	1.79
		30	31.30	1.61	33.24	1.67	35.19	1.73	36.59	1.75	39.07	1.78	41.02	1.81
		35	31.27	1.63	33.22	1.69	35.16	1.75	36.56	1.77	39.04	1.80	40.99	1.84
		40	31.25	1.65	33.19	1.71	35.13	1.77	36.53	1.79	39.01	1.83	40.95	1.86
		45	31.23	1.67	33.17	1.73	35.10	1.80	36.51	1.82	38.98	1.85	40.92	1.89
		50	31.20	1.69	33.14	1.76	35.08	1.82	36.48	1.84	38.95	1.88	40.89	1.91
		55	31.18	1.72	33.11	1.78	35.05	1.84	36.45	1.87	38.92	1.90	40.86	1.94
		60	31.15	1.74	33.09	1.80	35.02	1.87	36.42	1.89	38.89	1.93	40.83	1.96
		65	31.13	1.76	33.06	1.83	35.00	1.89	36.39	1.91	38.86	1.95	40.80	1.99
		70	31.11	1.78	33.04	1.85	34.97	1.92	36.37	1.94	38.83	1.97	40.77	2.01
		75	30.36	1.88	32.28	1.95	34.21	2.02	35.60	2.04	38.07	2.08	39.99	2.12
		80	29.61	1.98	31.53	2.05	33.45	2.12	34.84	2.15	37.30	2.19	39.22	2.23
		85	28.87	2.07	30.78	2.15	32.70	2.23	34.09	2.25	36.54	2.29	38.46	2.34
		90	28.13	2.17	30.04	2.25	31.95	2.33	33.33	2.36	35.78	2.40	37.69	2.45
		95	27.32	2.26	29.22	2.35	31.13	2.43	32.00	2.46	34.93	2.51	36.84	2.56
		100	26.65	2.36	28.56	2.45	30.46	2.54	31.59	2.57	34.27	2.61	36.17	2.67
		105	25.99	2.46	27.89	2.55	29.80	2.64	31.17	2.67	33.60	2.72	35.51	2.77
		110	25.32	2.55	27.23	2.65	29.13	2.74	30.51	2.77	32.94	2.83	34.84	2.88
		115	24.66	2.65	26.56	2.75	28.47	2.85	29.84	2.88	32.27	2.93	34.18	2.99
	118	24.26	2.71	26.16	2.81	28.07	2.91	29.44	2.94	31.87	3.00	33.78	3.06	
	122	24.13	2.78	26.03	2.89	27.93	2.99	29.31	3.03	31.74	3.08	33.64	3.14	
	7 + 9 + 9 + 18	14	31.37	1.54	33.32	1.60	35.27	1.65	36.67	1.67	39.16	1.71	41.11	1.74
		20	31.35	1.56	33.29	1.62	35.24	1.68	36.64	1.70	39.13	1.73	41.08	1.76
		25	31.32	1.58	33.27	1.64	35.21	1.70	36.62	1.72	39.10	1.75	41.05	1.79
		30	31.30	1.61	33.24	1.67	35.19	1.73	36.59	1.75	39.07	1.78	41.02	1.81
		35	31.27	1.63	33.22	1.69	35.16	1.75	36.56	1.77	39.04	1.80	40.99	1.84
		40	31.25	1.65	33.19	1.71	35.13	1.77	36.53	1.79	39.01	1.83	40.95	1.86
		45	31.23	1.67	33.17	1.73	35.10	1.80	36.51	1.82	38.98	1.85	40.92	1.89
		50	31.20	1.69	33.14	1.76	35.08	1.82	36.48	1.84	38.95	1.88	40.89	1.91
		55	31.18	1.72	33.11	1.78	35.05	1.84	36.45	1.87	38.92	1.90	40.86	1.94
		60	31.15	1.74	33.09	1.80	35.02	1.87	36.42	1.89	38.89	1.93	40.83	1.96
		65	31.13	1.76	33.06	1.83	35.00	1.89	36.39	1.91	38.86	1.95	40.80	1.99
		70	31.11	1.78	33.04	1.85	34.97	1.92	36.37	1.94	38.83	1.97	40.77	2.01
		75	30.36	1.88	32.28	1.95	34.21	2.02	35.60	2.04	38.07	2.08	39.99	2.12
		80	29.61	1.98	31.53	2.05	33.45	2.12	34.84	2.15	37.30	2.19	39.22	2.23
		85	28.87	2.07	30.78	2.15	32.70	2.23	34.09	2.25	36.54	2.29	38.46	2.34
		90	28.13	2.17	30.04	2.25	31.95	2.33	33.33	2.36	35.78	2.40	37.69	2.45
		95	27.32	2.26	29.22	2.35	31.13	2.43	32.00	2.46	34.93	2.51	36.84	2.56
		100	26.65	2.36	28.56	2.45	30.46	2.54	31.59	2.57	34.27	2.61	36.17	2.67
		105	25.99	2.46	27.89	2.55	29.80	2.64	31.17	2.67	33.60	2.72	35.51	2.77
110		25.32	2.55	27.23	2.65	29.13	2.74	30.51	2.77	32.94	2.83	34.84	2.88	
115		24.66	2.65	26.56	2.75	28.47	2.85	29.84	2.88	32.27	2.93	34.18	2.99	
118	24.26	2.71	26.16	2.81	28.07	2.91	29.44	2.94	31.87	3.00	33.78	3.06		
122	24.13	2.78	26.03	2.89	27.93	2.99	29.31	3.03	31.74	3.08	33.64	3.14		

TC = Total Capacity (kBtu/h).

PI = Power Input (kW).

Nominal capacity as rated: 0 ft. above sea level with 25 ft. of refrigerant piping.
0 ft. level difference between outdoor and indoor units.

Nominal cooling capacity rating obtained with air entering the indoor unit at 80°F dry bulb (DB) and 67°F wet bulb (WB), and outdoor ambient conditions of 95°F dry bulb (DB) and 75°F wet bulb (WB).

The shaded table rows indicate reference data. When operating at this temperature, these values can be different if the system is not running consistently.

Multi F and Multi F MAX Heat Pump System Engineering Manual

Table 112: LMU36CHV Cooling Capacity Table — Non-Ducted Indoor Units (continued).

Connected Indoor Units	Combination Capacity Index	Outdoor Air Temp. (°F DB)	Indoor Air Temp. °F DB / °F WB											
			68 / 57		73 / 61		77 / 64		80 / 67		86 / 72		90 / 75	
			TC	PI	TC	PI	TC	PI	TC	PI	TC	PI	TC	PI
Four (4) Non-Ducted Indoor Units	7 + 9 + 12 + 15	14	31.37	1.54	33.32	1.60	35.27	1.65	36.67	1.67	39.16	1.71	41.11	1.74
		20	31.35	1.56	33.29	1.62	35.24	1.68	36.64	1.70	39.13	1.73	41.08	1.76
		25	31.32	1.58	33.27	1.64	35.21	1.70	36.62	1.72	39.10	1.75	41.05	1.79
		30	31.30	1.61	33.24	1.67	35.19	1.73	36.59	1.75	39.07	1.78	41.02	1.81
		35	31.27	1.63	33.22	1.69	35.16	1.75	36.56	1.77	39.04	1.80	40.99	1.84
		40	31.25	1.65	33.19	1.71	35.13	1.77	36.53	1.79	39.01	1.83	40.95	1.86
		45	31.23	1.67	33.17	1.73	35.10	1.80	36.51	1.82	38.98	1.85	40.92	1.89
		50	31.20	1.69	33.14	1.76	35.08	1.82	36.48	1.84	38.95	1.88	40.89	1.91
		55	31.18	1.72	33.11	1.78	35.05	1.84	36.45	1.87	38.92	1.90	40.86	1.94
		60	31.15	1.74	33.09	1.80	35.02	1.87	36.42	1.89	38.89	1.93	40.83	1.96
		65	31.13	1.76	33.06	1.83	35.00	1.89	36.39	1.91	38.86	1.95	40.80	1.99
		70	31.11	1.78	33.04	1.85	34.97	1.92	36.37	1.94	38.83	1.97	40.77	2.01
		75	30.36	1.88	32.28	1.95	34.21	2.02	35.60	2.04	38.07	2.08	39.99	2.12
		80	29.61	1.98	31.53	2.05	33.45	2.12	34.84	2.15	37.30	2.19	39.22	2.23
		85	28.87	2.07	30.78	2.15	32.70	2.23	34.09	2.25	36.54	2.29	38.46	2.34
		90	28.13	2.17	30.04	2.25	31.95	2.33	33.33	2.36	35.78	2.40	37.69	2.45
		95	27.32	2.26	29.22	2.35	31.13	2.43	32.00	2.46	34.93	2.51	36.84	2.56
		100	26.65	2.36	28.56	2.45	30.46	2.54	31.59	2.57	34.27	2.61	36.17	2.67
		105	25.99	2.46	27.89	2.55	29.80	2.64	31.17	2.67	33.60	2.72	35.51	2.77
		110	25.32	2.55	27.23	2.65	29.13	2.74	30.51	2.77	32.94	2.83	34.84	2.88
		115	24.66	2.65	26.56	2.75	28.47	2.85	29.84	2.88	32.27	2.93	34.18	2.99
	118	24.26	2.71	26.16	2.81	28.07	2.91	29.44	2.94	31.87	3.00	33.78	3.06	
	122	24.13	2.78	26.03	2.89	27.93	2.99	29.31	3.03	31.74	3.08	33.64	3.14	
	7 + 12 + 12 + 12	14	31.37	1.54	33.32	1.60	35.27	1.65	36.67	1.67	39.16	1.71	41.11	1.74
		20	31.35	1.56	33.29	1.62	35.24	1.68	36.64	1.70	39.13	1.73	41.08	1.76
		25	31.32	1.58	33.27	1.64	35.21	1.70	36.62	1.72	39.10	1.75	41.05	1.79
		30	31.30	1.61	33.24	1.67	35.19	1.73	36.59	1.75	39.07	1.78	41.02	1.81
		35	31.27	1.63	33.22	1.69	35.16	1.75	36.56	1.77	39.04	1.80	40.99	1.84
		40	31.25	1.65	33.19	1.71	35.13	1.77	36.53	1.79	39.01	1.83	40.95	1.86
		45	31.23	1.67	33.17	1.73	35.10	1.80	36.51	1.82	38.98	1.85	40.92	1.89
		50	31.20	1.69	33.14	1.76	35.08	1.82	36.48	1.84	38.95	1.88	40.89	1.91
		55	31.18	1.72	33.11	1.78	35.05	1.84	36.45	1.87	38.92	1.90	40.86	1.94
		60	31.15	1.74	33.09	1.80	35.02	1.87	36.42	1.89	38.89	1.93	40.83	1.96
		65	31.13	1.76	33.06	1.83	35.00	1.89	36.39	1.91	38.86	1.95	40.80	1.99
		70	31.11	1.78	33.04	1.85	34.97	1.92	36.37	1.94	38.83	1.97	40.77	2.01
		75	30.36	1.88	32.28	1.95	34.21	2.02	35.60	2.04	38.07	2.08	39.99	2.12
		80	29.61	1.98	31.53	2.05	33.45	2.12	34.84	2.15	37.30	2.19	39.22	2.23
		85	28.87	2.07	30.78	2.15	32.70	2.23	34.09	2.25	36.54	2.29	38.46	2.34
		90	28.13	2.17	30.04	2.25	31.95	2.33	33.33	2.36	35.78	2.40	37.69	2.45
		95	27.32	2.26	29.22	2.35	31.13	2.43	32.00	2.46	34.93	2.51	36.84	2.56
		100	26.65	2.36	28.56	2.45	30.46	2.54	31.59	2.57	34.27	2.61	36.17	2.67
		105	25.99	2.46	27.89	2.55	29.80	2.64	31.17	2.67	33.60	2.72	35.51	2.77
110		25.32	2.55	27.23	2.65	29.13	2.74	30.51	2.77	32.94	2.83	34.84	2.88	
115		24.66	2.65	26.56	2.75	28.47	2.85	29.84	2.88	32.27	2.93	34.18	2.99	
118	24.26	2.71	26.16	2.81	28.07	2.91	29.44	2.94	31.87	3.00	33.78	3.06		
122	24.13	2.78	26.03	2.89	27.93	2.99	29.31	3.03	31.74	3.08	33.64	3.14		

TC = Total Capacity (kBtu/h).

PI = Power Input (kW).

Nominal capacity as rated: 0 ft. above sea level with 25 ft. of refrigerant piping.
0 ft. level difference between outdoor and indoor units.

Nominal cooling capacity rating obtained with air entering the indoor unit at 80°F dry bulb (DB) and 67°F wet bulb (WB), and outdoor ambient conditions of 95°F dry bulb (DB) and 75°F wet bulb (WB).

The shaded table rows indicate reference data. When operating at this temperature, these values can be different if the system is not running consistently.

PERFORMANCE DATA

Cooling Capacity Tables

MULTI F
MULTI F MAX

Table 113: LMU36CHV Cooling Capacity Table — Non-Ducted Indoor Units (continued).

Connected Indoor Units	Combination Capacity Index	Outdoor Air Temp. (°F DB)	Indoor Air Temp. °F DB / °F WB											
			68 / 57		73 / 61		77 / 64		80 / 67		86 / 72		90 / 75	
			TC	PI	TC	PI	TC	PI	TC	PI	TC	PI	TC	PI
Four (4) Non-Ducted Indoor Units	7 + 7 + 12 + 18	14	31.37	1.54	33.32	1.60	35.27	1.65	36.67	1.67	39.16	1.71	41.11	1.74
		20	31.35	1.56	33.29	1.62	35.24	1.68	36.64	1.70	39.13	1.73	41.08	1.76
		25	31.32	1.58	33.27	1.64	35.21	1.70	36.62	1.72	39.10	1.75	41.05	1.79
		30	31.30	1.61	33.24	1.67	35.19	1.73	36.59	1.75	39.07	1.78	41.02	1.81
		35	31.27	1.63	33.22	1.69	35.16	1.75	36.56	1.77	39.04	1.80	40.99	1.84
		40	31.25	1.65	33.19	1.71	35.13	1.77	36.53	1.79	39.01	1.83	40.95	1.86
		45	31.23	1.67	33.17	1.73	35.10	1.80	36.51	1.82	38.98	1.85	40.92	1.89
		50	31.20	1.69	33.14	1.76	35.08	1.82	36.48	1.84	38.95	1.88	40.89	1.91
		55	31.18	1.72	33.11	1.78	35.05	1.84	36.45	1.87	38.92	1.90	40.86	1.94
		60	31.15	1.74	33.09	1.80	35.02	1.87	36.42	1.89	38.89	1.93	40.83	1.96
		65	31.13	1.76	33.06	1.83	35.00	1.89	36.39	1.91	38.86	1.95	40.80	1.99
		70	31.11	1.78	33.04	1.85	34.97	1.92	36.37	1.94	38.83	1.97	40.77	2.01
		75	30.36	1.88	32.28	1.95	34.21	2.02	35.60	2.04	38.07	2.08	39.99	2.12
		80	29.61	1.98	31.53	2.05	33.45	2.12	34.84	2.15	37.30	2.19	39.22	2.23
		85	28.87	2.07	30.78	2.15	32.70	2.23	34.09	2.25	36.54	2.29	38.46	2.34
		90	28.13	2.17	30.04	2.25	31.95	2.33	33.33	2.36	35.78	2.40	37.69	2.45
		95	27.32	2.26	29.22	2.35	31.13	2.43	32.00	2.46	34.93	2.51	36.84	2.56
		100	26.65	2.36	28.56	2.45	30.46	2.54	31.59	2.57	34.27	2.61	36.17	2.67
		105	25.99	2.46	27.89	2.55	29.80	2.64	31.17	2.67	33.60	2.72	35.51	2.77
		110	25.32	2.55	27.23	2.65	29.13	2.74	30.51	2.77	32.94	2.83	34.84	2.88
		115	24.66	2.65	26.56	2.75	28.47	2.85	29.84	2.88	32.27	2.93	34.18	2.99
	118	24.26	2.71	26.16	2.81	28.07	2.91	29.44	2.94	31.87	3.00	33.78	3.06	
	122	24.13	2.78	26.03	2.89	27.93	2.99	29.31	3.03	31.74	3.08	33.64	3.14	
	7 + 7 + 15	14	31.37	1.54	33.32	1.60	35.27	1.65	36.67	1.67	39.16	1.71	41.11	1.74
		20	31.35	1.56	33.29	1.62	35.24	1.68	36.64	1.70	39.13	1.73	41.08	1.76
		25	31.32	1.58	33.27	1.64	35.21	1.70	36.62	1.72	39.10	1.75	41.05	1.79
		30	31.30	1.61	33.24	1.67	35.19	1.73	36.59	1.75	39.07	1.78	41.02	1.81
		35	31.27	1.63	33.22	1.69	35.16	1.75	36.56	1.77	39.04	1.80	40.99	1.84
		40	31.25	1.65	33.19	1.71	35.13	1.77	36.53	1.79	39.01	1.83	40.95	1.86
		45	31.23	1.67	33.17	1.73	35.10	1.80	36.51	1.82	38.98	1.85	40.92	1.89
		50	31.20	1.69	33.14	1.76	35.08	1.82	36.48	1.84	38.95	1.88	40.89	1.91
		55	31.18	1.72	33.11	1.78	35.05	1.84	36.45	1.87	38.92	1.90	40.86	1.94
		60	31.15	1.74	33.09	1.80	35.02	1.87	36.42	1.89	38.89	1.93	40.83	1.96
		65	31.13	1.76	33.06	1.83	35.00	1.89	36.39	1.91	38.86	1.95	40.80	1.99
		70	31.11	1.78	33.04	1.85	34.97	1.92	36.37	1.94	38.83	1.97	40.77	2.01
		75	30.36	1.88	32.28	1.95	34.21	2.02	35.60	2.04	38.07	2.08	39.99	2.12
		80	29.61	1.98	31.53	2.05	33.45	2.12	34.84	2.15	37.30	2.19	39.22	2.23
		85	28.87	2.07	30.78	2.15	32.70	2.23	34.09	2.25	36.54	2.29	38.46	2.34
		90	28.13	2.17	30.04	2.25	31.95	2.33	33.33	2.36	35.78	2.40	37.69	2.45
		95	27.32	2.26	29.22	2.35	31.13	2.43	32.00	2.46	34.93	2.51	36.84	2.56
		100	26.65	2.36	28.56	2.45	30.46	2.54	31.59	2.57	34.27	2.61	36.17	2.67
		105	25.99	2.46	27.89	2.55	29.80	2.64	31.17	2.67	33.60	2.72	35.51	2.77
110		25.32	2.55	27.23	2.65	29.13	2.74	30.51	2.77	32.94	2.83	34.84	2.88	
115		24.66	2.65	26.56	2.75	28.47	2.85	29.84	2.88	32.27	2.93	34.18	2.99	
118	24.26	2.71	26.16	2.81	28.07	2.91	29.44	2.94	31.87	3.00	33.78	3.06		
122	24.13	2.78	26.03	2.89	27.93	2.99	29.31	3.03	31.74	3.08	33.64	3.14		

TC = Total Capacity (kBtu/h).

PI = Power Input (kW).

Nominal capacity as rated: 0 ft. above sea level with 25 ft. of refrigerant piping.
0 ft. level difference between outdoor and indoor units.

Nominal cooling capacity rating obtained with air entering the indoor unit at 80°F dry bulb (DB) and 67°F wet bulb (WB), and outdoor ambient conditions of 95°F dry bulb (DB) and 75°F wet bulb (WB).

The shaded table rows indicate reference data. When operating at this temperature, these values can be different if the system is not running consistently.

Multi F and Multi F MAX Heat Pump System Engineering Manual

Table 114: LMU36CHV Cooling Capacity Table — Non-Ducted Indoor Units (continued).

Connected Indoor Units	Combination Capacity Index	Outdoor Air Temp. (°F DB)	Indoor Air Temp. °F DB / °F WB											
			68 / 57		73 / 61		77 / 64		80 / 67		86 / 72		90 / 75	
			TC	PI	TC	PI	TC	PI	TC	PI	TC	PI	TC	PI
Four (4) Non-Ducted Indoor Units	7 + 7 + 7 + 24	14	31.37	1.54	33.32	1.60	35.27	1.65	36.67	1.67	39.16	1.71	41.11	1.74
		20	31.35	1.56	33.29	1.62	35.24	1.68	36.64	1.70	39.13	1.73	41.08	1.76
		25	31.32	1.58	33.27	1.64	35.21	1.70	36.62	1.72	39.10	1.75	41.05	1.79
		30	31.30	1.61	33.24	1.67	35.19	1.73	36.59	1.75	39.07	1.78	41.02	1.81
		35	31.27	1.63	33.22	1.69	35.16	1.75	36.56	1.77	39.04	1.80	40.99	1.84
		40	31.25	1.65	33.19	1.71	35.13	1.77	36.53	1.79	39.01	1.83	40.95	1.86
		45	31.23	1.67	33.17	1.73	35.10	1.80	36.51	1.82	38.98	1.85	40.92	1.89
		50	31.20	1.69	33.14	1.76	35.08	1.82	36.48	1.84	38.95	1.88	40.89	1.91
		55	31.18	1.72	33.11	1.78	35.05	1.84	36.45	1.87	38.92	1.90	40.86	1.94
		60	31.15	1.74	33.09	1.80	35.02	1.87	36.42	1.89	38.89	1.93	40.83	1.96
		65	31.13	1.76	33.06	1.83	35.00	1.89	36.39	1.91	38.86	1.95	40.80	1.99
		70	31.11	1.78	33.04	1.85	34.97	1.92	36.37	1.94	38.83	1.97	40.77	2.01
		75	30.36	1.88	32.28	1.95	34.21	2.02	35.60	2.04	38.07	2.08	39.99	2.12
		80	29.61	1.98	31.53	2.05	33.45	2.12	34.84	2.15	37.30	2.19	39.22	2.23
		85	28.87	2.07	30.78	2.15	32.70	2.23	34.09	2.25	36.54	2.29	38.46	2.34
		90	28.13	2.17	30.04	2.25	31.95	2.33	33.33	2.36	35.78	2.40	37.69	2.45
		95	27.32	2.26	29.22	2.35	31.13	2.43	32.00	2.46	34.93	2.51	36.84	2.56
		100	26.65	2.36	28.56	2.45	30.46	2.54	31.59	2.57	34.27	2.61	36.17	2.67
	105	25.99	2.46	27.89	2.55	29.80	2.64	31.17	2.67	33.60	2.72	35.51	2.77	
	110	25.32	2.55	27.23	2.65	29.13	2.74	30.51	2.77	32.94	2.83	34.84	2.88	
	115	24.66	2.65	26.56	2.75	28.47	2.85	29.84	2.88	32.27	2.93	34.18	2.99	
	118	24.26	2.71	26.16	2.81	28.07	2.91	29.44	2.94	31.87	3.00	33.78	3.06	
	122	24.13	2.78	26.03	2.89	27.93	2.99	29.31	3.03	31.74	3.08	33.64	3.14	
	9 + 9 + 9 + 18	14	31.37	1.54	33.32	1.60	35.27	1.65	36.67	1.67	39.16	1.71	41.11	1.74
		20	31.35	1.56	33.29	1.62	35.24	1.68	36.64	1.70	39.13	1.73	41.08	1.76
		25	31.32	1.58	33.27	1.64	35.21	1.70	36.62	1.72	39.10	1.75	41.05	1.79
		30	31.30	1.61	33.24	1.67	35.19	1.73	36.59	1.75	39.07	1.78	41.02	1.81
		35	31.27	1.63	33.22	1.69	35.16	1.75	36.56	1.77	39.04	1.80	40.99	1.84
		40	31.25	1.65	33.19	1.71	35.13	1.77	36.53	1.79	39.01	1.83	40.95	1.86
		45	31.23	1.67	33.17	1.73	35.10	1.80	36.51	1.82	38.98	1.85	40.92	1.89
		50	31.20	1.69	33.14	1.76	35.08	1.82	36.48	1.84	38.95	1.88	40.89	1.91
		55	31.18	1.72	33.11	1.78	35.05	1.84	36.45	1.87	38.92	1.90	40.86	1.94
		60	31.15	1.74	33.09	1.80	35.02	1.87	36.42	1.89	38.89	1.93	40.83	1.96
		65	31.13	1.76	33.06	1.83	35.00	1.89	36.39	1.91	38.86	1.95	40.80	1.99
		70	31.11	1.78	33.04	1.85	34.97	1.92	36.37	1.94	38.83	1.97	40.77	2.01
		75	30.36	1.88	32.28	1.95	34.21	2.02	35.60	2.04	38.07	2.08	39.99	2.12
		80	29.61	1.98	31.53	2.05	33.45	2.12	34.84	2.15	37.30	2.19	39.22	2.23
	85	28.87	2.07	30.78	2.15	32.70	2.23	34.09	2.25	36.54	2.29	38.46	2.34	
	90	28.13	2.17	30.04	2.25	31.95	2.33	33.33	2.36	35.78	2.40	37.69	2.45	
	95	27.32	2.26	29.22	2.35	31.13	2.43	32.00	2.46	34.93	2.51	36.84	2.56	
	100	26.65	2.36	28.56	2.45	30.46	2.54	31.59	2.57	34.27	2.61	36.17	2.67	
	105	25.99	2.46	27.89	2.55	29.80	2.64	31.17	2.67	33.60	2.72	35.51	2.77	
110	25.32	2.55	27.23	2.65	29.13	2.74	30.51	2.77	32.94	2.83	34.84	2.88		
115	24.66	2.65	26.56	2.75	28.47	2.85	29.84	2.88	32.27	2.93	34.18	2.99		
118	24.26	2.71	26.16	2.81	28.07	2.91	29.44	2.94	31.87	3.00	33.78	3.06		
122	24.13	2.78	26.03	2.89	27.93	2.99	29.31	3.03	31.74	3.08	33.64	3.14		

Multi F Outdoor Unit Data

TC = Total Capacity (kBtu/h).

PI = Power Input (kW).

Nominal capacity as rated: 0 ft. above sea level with 25 ft. of refrigerant piping.
0 ft. level difference between outdoor and indoor units.

Nominal cooling capacity rating obtained with air entering the indoor unit at 80°F dry bulb (DB) and 67°F wet bulb (WB), and outdoor ambient conditions of 95°F dry bulb (DB) and 75°F wet bulb (WB).

The shaded table rows indicate reference data. When operating at this temperature, these values can be different if the system is not running consistently.

PERFORMANCE DATA

Cooling Capacity Tables

Table 115: LMU36CHV Cooling Capacity Table — Non-Ducted Indoor Units (continued).

Connected Indoor Units	Combination Capacity Index	Outdoor Air Temp. (°F DB)	Indoor Air Temp. °F DB / °F WB											
			68 / 57		73 / 61		77 / 64		80 / 67		86 / 72		90 / 75	
			TC	PI	TC	PI	TC	PI	TC	PI	TC	PI	TC	PI
Four (4) Non-Ducted Indoor Units	9 + 9 + 12 + 15	14	31.37	1.54	33.32	1.60	35.27	1.65	36.67	1.67	39.16	1.71	41.11	1.74
		20	31.35	1.56	33.29	1.62	35.24	1.68	36.64	1.70	39.13	1.73	41.08	1.76
		25	31.32	1.58	33.27	1.64	35.21	1.70	36.62	1.72	39.10	1.75	41.05	1.79
		30	31.30	1.61	33.24	1.67	35.19	1.73	36.59	1.75	39.07	1.78	41.02	1.81
		35	31.27	1.63	33.22	1.69	35.16	1.75	36.56	1.77	39.04	1.80	40.99	1.84
		40	31.25	1.65	33.19	1.71	35.13	1.77	36.53	1.79	39.01	1.83	40.95	1.86
		45	31.23	1.67	33.17	1.73	35.10	1.80	36.51	1.82	38.98	1.85	40.92	1.89
		50	31.20	1.69	33.14	1.76	35.08	1.82	36.48	1.84	38.95	1.88	40.89	1.91
		55	31.18	1.72	33.11	1.78	35.05	1.84	36.45	1.87	38.92	1.90	40.86	1.94
		60	31.15	1.74	33.09	1.80	35.02	1.87	36.42	1.89	38.89	1.93	40.83	1.96
		65	31.13	1.76	33.06	1.83	35.00	1.89	36.39	1.91	38.86	1.95	40.80	1.99
		70	31.11	1.78	33.04	1.85	34.97	1.92	36.37	1.94	38.83	1.97	40.77	2.01
		75	30.36	1.88	32.28	1.95	34.21	2.02	35.60	2.04	38.07	2.08	39.99	2.12
		80	29.61	1.98	31.53	2.05	33.45	2.12	34.84	2.15	37.30	2.19	39.22	2.23
		85	28.87	2.07	30.78	2.15	32.70	2.23	34.09	2.25	36.54	2.29	38.46	2.34
		90	28.13	2.17	30.04	2.25	31.95	2.33	33.33	2.36	35.78	2.40	37.69	2.45
		95	27.32	2.26	29.22	2.35	31.13	2.43	32.00	2.46	34.93	2.51	36.84	2.56
		100	26.65	2.36	28.56	2.45	30.46	2.54	31.59	2.57	34.27	2.61	36.17	2.67
		105	25.99	2.46	27.89	2.55	29.80	2.64	31.17	2.67	33.60	2.72	35.51	2.77
		110	25.32	2.55	27.23	2.65	29.13	2.74	30.51	2.77	32.94	2.83	34.84	2.88
		115	24.66	2.65	26.56	2.75	28.47	2.85	29.84	2.88	32.27	2.93	34.18	2.99
		118	24.26	2.71	26.16	2.81	28.07	2.91	29.44	2.94	31.87	3.00	33.78	3.06
	122	24.13	2.78	26.03	2.89	27.93	2.99	29.31	3.03	31.74	3.08	33.64	3.14	
	9 + 12 + 12 + 12	14	31.37	1.54	33.32	1.60	35.27	1.65	36.67	1.67	39.16	1.71	41.11	1.74
		20	31.35	1.56	33.29	1.62	35.24	1.68	36.64	1.70	39.13	1.73	41.08	1.76
		25	31.32	1.58	33.27	1.64	35.21	1.70	36.62	1.72	39.10	1.75	41.05	1.79
		30	31.30	1.61	33.24	1.67	35.19	1.73	36.59	1.75	39.07	1.78	41.02	1.81
		35	31.27	1.63	33.22	1.69	35.16	1.75	36.56	1.77	39.04	1.80	40.99	1.84
		40	31.25	1.65	33.19	1.71	35.13	1.77	36.53	1.79	39.01	1.83	40.95	1.86
		45	31.23	1.67	33.17	1.73	35.10	1.80	36.51	1.82	38.98	1.85	40.92	1.89
		50	31.20	1.69	33.14	1.76	35.08	1.82	36.48	1.84	38.95	1.88	40.89	1.91
		55	31.18	1.72	33.11	1.78	35.05	1.84	36.45	1.87	38.92	1.90	40.86	1.94
		60	31.15	1.74	33.09	1.80	35.02	1.87	36.42	1.89	38.89	1.93	40.83	1.96
		65	31.13	1.76	33.06	1.83	35.00	1.89	36.39	1.91	38.86	1.95	40.80	1.99
		70	31.11	1.78	33.04	1.85	34.97	1.92	36.37	1.94	38.83	1.97	40.77	2.01
		75	30.36	1.88	32.28	1.95	34.21	2.02	35.60	2.04	38.07	2.08	39.99	2.12
		80	29.61	1.98	31.53	2.05	33.45	2.12	34.84	2.15	37.30	2.19	39.22	2.23
		85	28.87	2.07	30.78	2.15	32.70	2.23	34.09	2.25	36.54	2.29	38.46	2.34
		90	28.13	2.17	30.04	2.25	31.95	2.33	33.33	2.36	35.78	2.40	37.69	2.45
		95	27.32	2.26	29.22	2.35	31.13	2.43	32.00	2.46	34.93	2.51	36.84	2.56
		100	26.65	2.36	28.56	2.45	30.46	2.54	31.59	2.57	34.27	2.61	36.17	2.67
		105	25.99	2.46	27.89	2.55	29.80	2.64	31.17	2.67	33.60	2.72	35.51	2.77
		110	25.32	2.55	27.23	2.65	29.13	2.74	30.51	2.77	32.94	2.83	34.84	2.88
		115	24.66	2.65	26.56	2.75	28.47	2.85	29.84	2.88	32.27	2.93	34.18	2.99
118		24.26	2.71	26.16	2.81	28.07	2.91	29.44	2.94	31.87	3.00	33.78	3.06	
122	24.13	2.78	26.03	2.89	27.93	2.99	29.31	3.03	31.74	3.08	33.64	3.14		

TC = Total Capacity (kBtu/h).

PI = Power Input (kW).

Nominal capacity as rated: 0 ft. above sea level with 25 ft. of refrigerant piping.
0 ft. level difference between outdoor and indoor units.

Nominal cooling capacity rating obtained with air entering the indoor unit at 80°F dry bulb (DB) and 67°F wet bulb (WB), and outdoor ambient conditions of 95°F dry bulb (DB) and 75°F wet bulb (WB).

The shaded table rows indicate reference data. When operating at this temperature, these values can be different if the system is not running consistently.

Table 116: LMU36CHV Cooling Capacity Table — Non-Ducted Indoor Units (continued).

Connected Indoor Units	Combination Capacity Index	Outdoor Air Temp. (°F DB)	Indoor Air Temp. °F DB / °F WB											
			68 / 57		73 / 61		77 / 64		80 / 67		86 / 72		90 / 75	
			TC	PI	TC	PI	TC	PI	TC	PI	TC	PI	TC	PI
Four (4) Non-Ducted Indoor Units	7 + 9 + 12 + 18	14	31.37	1.54	33.32	1.60	35.27	1.65	36.67	1.67	39.16	1.71	41.11	1.74
		20	31.35	1.56	33.29	1.62	35.24	1.68	36.64	1.70	39.13	1.73	41.08	1.76
		25	31.32	1.58	33.27	1.64	35.21	1.70	36.62	1.72	39.10	1.75	41.05	1.79
		30	31.30	1.61	33.24	1.67	35.19	1.73	36.59	1.75	39.07	1.78	41.02	1.81
		35	31.27	1.63	33.22	1.69	35.16	1.75	36.56	1.77	39.04	1.80	40.99	1.84
		40	31.25	1.65	33.19	1.71	35.13	1.77	36.53	1.79	39.01	1.83	40.95	1.86
		45	31.23	1.67	33.17	1.73	35.10	1.80	36.51	1.82	38.98	1.85	40.92	1.89
		50	31.20	1.69	33.14	1.76	35.08	1.82	36.48	1.84	38.95	1.88	40.89	1.91
		55	31.18	1.72	33.11	1.78	35.05	1.84	36.45	1.87	38.92	1.90	40.86	1.94
		60	31.15	1.74	33.09	1.80	35.02	1.87	36.42	1.89	38.89	1.93	40.83	1.96
		65	31.13	1.76	33.06	1.83	35.00	1.89	36.39	1.91	38.86	1.95	40.80	1.99
		70	31.11	1.78	33.04	1.85	34.97	1.92	36.37	1.94	38.83	1.97	40.77	2.01
		75	30.36	1.88	32.28	1.95	34.21	2.02	35.60	2.04	38.07	2.08	39.99	2.12
		80	29.61	1.98	31.53	2.05	33.45	2.12	34.84	2.15	37.30	2.19	39.22	2.23
		85	28.87	2.07	30.78	2.15	32.70	2.23	34.09	2.25	36.54	2.29	38.46	2.34
		90	28.13	2.17	30.04	2.25	31.95	2.33	33.33	2.36	35.78	2.40	37.69	2.45
		95	27.32	2.26	29.22	2.35	31.13	2.43	32.00	2.46	34.93	2.51	36.84	2.56
		100	26.65	2.36	28.56	2.45	30.46	2.54	31.59	2.57	34.27	2.61	36.17	2.67
		105	25.99	2.46	27.89	2.55	29.80	2.64	31.17	2.67	33.60	2.72	35.51	2.77
		110	25.32	2.55	27.23	2.65	29.13	2.74	30.51	2.77	32.94	2.83	34.84	2.88
		115	24.66	2.65	26.56	2.75	28.47	2.85	29.84	2.88	32.27	2.93	34.18	2.99
		118	24.26	2.71	26.16	2.81	28.07	2.91	29.44	2.94	31.87	3.00	33.78	3.06
	122	24.13	2.78	26.03	2.89	27.93	2.99	29.31	3.03	31.74	3.08	33.64	3.14	
	7 + 9 + 15 + 15	14	31.37	1.54	33.32	1.60	35.27	1.65	36.67	1.67	39.16	1.71	41.11	1.74
		20	31.35	1.56	33.29	1.62	35.24	1.68	36.64	1.70	39.13	1.73	41.08	1.76
		25	31.32	1.58	33.27	1.64	35.21	1.70	36.62	1.72	39.10	1.75	41.05	1.79
		30	31.30	1.61	33.24	1.67	35.19	1.73	36.59	1.75	39.07	1.78	41.02	1.81
		35	31.27	1.63	33.22	1.69	35.16	1.75	36.56	1.77	39.04	1.80	40.99	1.84
		40	31.25	1.65	33.19	1.71	35.13	1.77	36.53	1.79	39.01	1.83	40.95	1.86
		45	31.23	1.67	33.17	1.73	35.10	1.80	36.51	1.82	38.98	1.85	40.92	1.89
		50	31.20	1.69	33.14	1.76	35.08	1.82	36.48	1.84	38.95	1.88	40.89	1.91
		55	31.18	1.72	33.11	1.78	35.05	1.84	36.45	1.87	38.92	1.90	40.86	1.94
		60	31.15	1.74	33.09	1.80	35.02	1.87	36.42	1.89	38.89	1.93	40.83	1.96
		65	31.13	1.76	33.06	1.83	35.00	1.89	36.39	1.91	38.86	1.95	40.80	1.99
		70	31.11	1.78	33.04	1.85	34.97	1.92	36.37	1.94	38.83	1.97	40.77	2.01
		75	30.36	1.88	32.28	1.95	34.21	2.02	35.60	2.04	38.07	2.08	39.99	2.12
		80	29.61	1.98	31.53	2.05	33.45	2.12	34.84	2.15	37.30	2.19	39.22	2.23
		85	28.87	2.07	30.78	2.15	32.70	2.23	34.09	2.25	36.54	2.29	38.46	2.34
		90	28.13	2.17	30.04	2.25	31.95	2.33	33.33	2.36	35.78	2.40	37.69	2.45
		95	27.32	2.26	29.22	2.35	31.13	2.43	32.00	2.46	34.93	2.51	36.84	2.56
		100	26.65	2.36	28.56	2.45	30.46	2.54	31.59	2.57	34.27	2.61	36.17	2.67
		105	25.99	2.46	27.89	2.55	29.80	2.64	31.17	2.67	33.60	2.72	35.51	2.77
		110	25.32	2.55	27.23	2.65	29.13	2.74	30.51	2.77	32.94	2.83	34.84	2.88
		115	24.66	2.65	26.56	2.75	28.47	2.85	29.84	2.88	32.27	2.93	34.18	2.99
118		24.26	2.71	26.16	2.81	28.07	2.91	29.44	2.94	31.87	3.00	33.78	3.06	
122	24.13	2.78	26.03	2.89	27.93	2.99	29.31	3.03	31.74	3.08	33.64	3.14		

TC = Total Capacity (kBtu/h).

PI = Power Input (kW).

Nominal capacity as rated: 0 ft. above sea level with 25 ft. of refrigerant piping.
0 ft. level difference between outdoor and indoor units.

Nominal cooling capacity rating obtained with air entering the indoor unit at 80°F dry bulb (DB) and 67°F wet bulb (WB), and outdoor ambient conditions of 95°F dry bulb (DB) and 75°F wet bulb (WB).

The shaded table rows indicate reference data. When operating at this temperature, these values can be different if the system is not running consistently.

PERFORMANCE DATA

Cooling Capacity Tables

MULTI F
MULTI F MAX

Table 117: LMU36CHV Cooling Capacity Table — Non-Ducted Indoor Units (continued).

Connected Indoor Units	Combination Capacity Index	Outdoor Air Temp. (°F DB)	Indoor Air Temp. °F DB / °F WB											
			68 / 57		73 / 61		77 / 64		80 / 67		86 / 72		90 / 75	
			TC	PI	TC	PI	TC	PI	TC	PI	TC	PI	TC	PI
Four (4) Non-Ducted Indoor Units	7 + 12 + 12 + 15	14	31.37	1.54	33.32	1.60	35.27	1.65	36.67	1.67	39.16	1.71	41.11	1.74
		20	31.35	1.56	33.29	1.62	35.24	1.68	36.64	1.70	39.13	1.73	41.08	1.76
		25	31.32	1.58	33.27	1.64	35.21	1.70	36.62	1.72	39.10	1.75	41.05	1.79
		30	31.30	1.61	33.24	1.67	35.19	1.73	36.59	1.75	39.07	1.78	41.02	1.81
		35	31.27	1.63	33.22	1.69	35.16	1.75	36.56	1.77	39.04	1.80	40.99	1.84
		40	31.25	1.65	33.19	1.71	35.13	1.77	36.53	1.79	39.01	1.83	40.95	1.86
		45	31.23	1.67	33.17	1.73	35.10	1.80	36.51	1.82	38.98	1.85	40.92	1.89
		50	31.20	1.69	33.14	1.76	35.08	1.82	36.48	1.84	38.95	1.88	40.89	1.91
		55	31.18	1.72	33.11	1.78	35.05	1.84	36.45	1.87	38.92	1.90	40.86	1.94
		60	31.15	1.74	33.09	1.80	35.02	1.87	36.42	1.89	38.89	1.93	40.83	1.96
		65	31.13	1.76	33.06	1.83	35.00	1.89	36.39	1.91	38.86	1.95	40.80	1.99
		70	31.11	1.78	33.04	1.85	34.97	1.92	36.37	1.94	38.83	1.97	40.77	2.01
		75	30.36	1.88	32.28	1.95	34.21	2.02	35.60	2.04	38.07	2.08	39.99	2.12
		80	29.61	1.98	31.53	2.05	33.45	2.12	34.84	2.15	37.30	2.19	39.22	2.23
		85	28.87	2.07	30.78	2.15	32.70	2.23	34.09	2.25	36.54	2.29	38.46	2.34
		90	28.13	2.17	30.04	2.25	31.95	2.33	33.33	2.36	35.78	2.40	37.69	2.45
		95	27.32	2.26	29.22	2.35	31.13	2.43	32.00	2.46	34.93	2.51	36.84	2.56
		100	26.65	2.36	28.56	2.45	30.46	2.54	31.59	2.57	34.27	2.61	36.17	2.67
		105	25.99	2.46	27.89	2.55	29.80	2.64	31.17	2.67	33.60	2.72	35.51	2.77
		110	25.32	2.55	27.23	2.65	29.13	2.74	30.51	2.77	32.94	2.83	34.84	2.88
		115	24.66	2.65	26.56	2.75	28.47	2.85	29.84	2.88	32.27	2.93	34.18	2.99
	118	24.26	2.71	26.16	2.81	28.07	2.91	29.44	2.94	31.87	3.00	33.78	3.06	
	122	24.13	2.78	26.03	2.89	27.93	2.99	29.31	3.03	31.74	3.08	33.64	3.14	
	7 + 7 + 9 + 24	14	31.37	1.54	33.32	1.60	35.27	1.65	36.67	1.67	39.16	1.71	41.11	1.74
		20	31.35	1.56	33.29	1.62	35.24	1.68	36.64	1.70	39.13	1.73	41.08	1.76
		25	31.32	1.58	33.27	1.64	35.21	1.70	36.62	1.72	39.10	1.75	41.05	1.79
		30	31.30	1.61	33.24	1.67	35.19	1.73	36.59	1.75	39.07	1.78	41.02	1.81
		35	31.27	1.63	33.22	1.69	35.16	1.75	36.56	1.77	39.04	1.80	40.99	1.84
		40	31.25	1.65	33.19	1.71	35.13	1.77	36.53	1.79	39.01	1.83	40.95	1.86
		45	31.23	1.67	33.17	1.73	35.10	1.80	36.51	1.82	38.98	1.85	40.92	1.89
		50	31.20	1.69	33.14	1.76	35.08	1.82	36.48	1.84	38.95	1.88	40.89	1.91
		55	31.18	1.72	33.11	1.78	35.05	1.84	36.45	1.87	38.92	1.90	40.86	1.94
		60	31.15	1.74	33.09	1.80	35.02	1.87	36.42	1.89	38.89	1.93	40.83	1.96
		65	31.13	1.76	33.06	1.83	35.00	1.89	36.39	1.91	38.86	1.95	40.80	1.99
		70	31.11	1.78	33.04	1.85	34.97	1.92	36.37	1.94	38.83	1.97	40.77	2.01
		75	30.36	1.88	32.28	1.95	34.21	2.02	35.60	2.04	38.07	2.08	39.99	2.12
		80	29.61	1.98	31.53	2.05	33.45	2.12	34.84	2.15	37.30	2.19	39.22	2.23
		85	28.87	2.07	30.78	2.15	32.70	2.23	34.09	2.25	36.54	2.29	38.46	2.34
		90	28.13	2.17	30.04	2.25	31.95	2.33	33.33	2.36	35.78	2.40	37.69	2.45
		95	27.32	2.26	29.22	2.35	31.13	2.43	32.00	2.46	34.93	2.51	36.84	2.56
		100	26.65	2.36	28.56	2.45	30.46	2.54	31.59	2.57	34.27	2.61	36.17	2.67
		105	25.99	2.46	27.89	2.55	29.80	2.64	31.17	2.67	33.60	2.72	35.51	2.77
110		25.32	2.55	27.23	2.65	29.13	2.74	30.51	2.77	32.94	2.83	34.84	2.88	
115		24.66	2.65	26.56	2.75	28.47	2.85	29.84	2.88	32.27	2.93	34.18	2.99	
118	24.26	2.71	26.16	2.81	28.07	2.91	29.44	2.94	31.87	3.00	33.78	3.06		
122	24.13	2.78	26.03	2.89	27.93	2.99	29.31	3.03	31.74	3.08	33.64	3.14		

TC = Total Capacity (kBtu/h).

PI = Power Input (kW).

Nominal capacity as rated: 0 ft. above sea level with 25 ft. of refrigerant piping.
0 ft. level difference between outdoor and indoor units.

Nominal cooling capacity rating obtained with air entering the indoor unit at 80°F dry bulb (DB) and 67°F wet bulb (WB), and outdoor ambient conditions of 95°F dry bulb (DB) and 75°F wet bulb (WB).

The shaded table rows indicate reference data. When operating at this temperature, these values can be different if the system is not running consistently.

Table 118: LMU36CHV Cooling Capacity Table — Non-Ducted Indoor Units (continued).

Connected Indoor Units	Combination Capacity Index	Outdoor Air Temp. (°F DB)	Indoor Air Temp. °F DB / °F WB											
			68 / 57		73 / 61		77 / 64		80 / 67		86 / 72		90 / 75	
			TC	PI	TC	PI	TC	PI	TC	PI	TC	PI	TC	PI
Four (4) Non-Ducted Indoor Units	7 + 7 + 15 + 18	14	31.37	1.54	33.32	1.60	35.27	1.65	36.67	1.67	39.16	1.71	41.11	1.74
		20	31.35	1.56	33.29	1.62	35.24	1.68	36.64	1.70	39.13	1.73	41.08	1.76
		25	31.32	1.58	33.27	1.64	35.21	1.70	36.62	1.72	39.10	1.75	41.05	1.79
		30	31.30	1.61	33.24	1.67	35.19	1.73	36.59	1.75	39.07	1.78	41.02	1.81
		35	31.27	1.63	33.22	1.69	35.16	1.75	36.56	1.77	39.04	1.80	40.99	1.84
		40	31.25	1.65	33.19	1.71	35.13	1.77	36.53	1.79	39.01	1.83	40.95	1.86
		45	31.23	1.67	33.17	1.73	35.10	1.80	36.51	1.82	38.98	1.85	40.92	1.89
		50	31.20	1.69	33.14	1.76	35.08	1.82	36.48	1.84	38.95	1.88	40.89	1.91
		55	31.18	1.72	33.11	1.78	35.05	1.84	36.45	1.87	38.92	1.90	40.86	1.94
		60	31.15	1.74	33.09	1.80	35.02	1.87	36.42	1.89	38.89	1.93	40.83	1.96
		65	31.13	1.76	33.06	1.83	35.00	1.89	36.39	1.91	38.86	1.95	40.80	1.99
		70	31.11	1.78	33.04	1.85	34.97	1.92	36.37	1.94	38.83	1.97	40.77	2.01
		75	30.36	1.88	32.28	1.95	34.21	2.02	35.60	2.04	38.07	2.08	39.99	2.12
		80	29.61	1.98	31.53	2.05	33.45	2.12	34.84	2.15	37.30	2.19	39.22	2.23
		85	28.87	2.07	30.78	2.15	32.70	2.23	34.09	2.25	36.54	2.29	38.46	2.34
		90	28.13	2.17	30.04	2.25	31.95	2.33	33.33	2.36	35.78	2.40	37.69	2.45
		95	27.32	2.26	29.22	2.35	31.13	2.43	32.00	2.46	34.93	2.51	36.84	2.56
		100	26.65	2.36	28.56	2.45	30.46	2.54	31.59	2.57	34.27	2.61	36.17	2.67
		105	25.99	2.46	27.89	2.55	29.80	2.64	31.17	2.67	33.60	2.72	35.51	2.77
		110	25.32	2.55	27.23	2.65	29.13	2.74	30.51	2.77	32.94	2.83	34.84	2.88
		115	24.66	2.65	26.56	2.75	28.47	2.85	29.84	2.88	32.27	2.93	34.18	2.99
	118	24.26	2.71	26.16	2.81	28.07	2.91	29.44	2.94	31.87	3.00	33.78	3.06	
	122	24.13	2.78	26.03	2.89	27.93	2.99	29.31	3.03	31.74	3.08	33.64	3.14	
	9 + 9 + 12 + 18	14	31.37	1.54	33.32	1.60	35.27	1.65	36.67	1.67	39.16	1.71	41.11	1.74
		20	31.35	1.56	33.29	1.62	35.24	1.68	36.64	1.70	39.13	1.73	41.08	1.76
		25	31.32	1.58	33.27	1.64	35.21	1.70	36.62	1.72	39.10	1.75	41.05	1.79
		30	31.30	1.61	33.24	1.67	35.19	1.73	36.59	1.75	39.07	1.78	41.02	1.81
		35	31.27	1.63	33.22	1.69	35.16	1.75	36.56	1.77	39.04	1.80	40.99	1.84
		40	31.25	1.65	33.19	1.71	35.13	1.77	36.53	1.79	39.01	1.83	40.95	1.86
		45	31.23	1.67	33.17	1.73	35.10	1.80	36.51	1.82	38.98	1.85	40.92	1.89
		50	31.20	1.69	33.14	1.76	35.08	1.82	36.48	1.84	38.95	1.88	40.89	1.91
		55	31.18	1.72	33.11	1.78	35.05	1.84	36.45	1.87	38.92	1.90	40.86	1.94
		60	31.15	1.74	33.09	1.80	35.02	1.87	36.42	1.89	38.89	1.93	40.83	1.96
		65	31.13	1.76	33.06	1.83	35.00	1.89	36.39	1.91	38.86	1.95	40.80	1.99
		70	31.11	1.78	33.04	1.85	34.97	1.92	36.37	1.94	38.83	1.97	40.77	2.01
		75	30.36	1.88	32.28	1.95	34.21	2.02	35.60	2.04	38.07	2.08	39.99	2.12
		80	29.61	1.98	31.53	2.05	33.45	2.12	34.84	2.15	37.30	2.19	39.22	2.23
		85	28.87	2.07	30.78	2.15	32.70	2.23	34.09	2.25	36.54	2.29	38.46	2.34
		90	28.13	2.17	30.04	2.25	31.95	2.33	33.33	2.36	35.78	2.40	37.69	2.45
		95	27.32	2.26	29.22	2.35	31.13	2.43	32.00	2.46	34.93	2.51	36.84	2.56
		100	26.65	2.36	28.56	2.45	30.46	2.54	31.59	2.57	34.27	2.61	36.17	2.67
		105	25.99	2.46	27.89	2.55	29.80	2.64	31.17	2.67	33.60	2.72	35.51	2.77
110		25.32	2.55	27.23	2.65	29.13	2.74	30.51	2.77	32.94	2.83	34.84	2.88	
115		24.66	2.65	26.56	2.75	28.47	2.85	29.84	2.88	32.27	2.93	34.18	2.99	
118	24.26	2.71	26.16	2.81	28.07	2.91	29.44	2.94	31.87	3.00	33.78	3.06		
122	24.13	2.78	26.03	2.89	27.93	2.99	29.31	3.03	31.74	3.08	33.64	3.14		

TC = Total Capacity (kBtu/h).

PI = Power Input (kW).

Nominal capacity as rated: 0 ft. above sea level with 25 ft. of refrigerant piping.
0 ft. level difference between outdoor and indoor units.

Nominal cooling capacity rating obtained with air entering the indoor unit at 80°F dry bulb (DB) and 67°F wet bulb (WB), and outdoor ambient conditions of 95°F dry bulb (DB) and 75°F wet bulb (WB).

The shaded table rows indicate reference data. When operating at this temperature, these values can be different if the system is not running consistently.

PERFORMANCE DATA

Cooling Capacity Tables

MULTI F
MULTI F MAX

Table 119: LMU36CHV Cooling Capacity Table — Non-Ducted Indoor Units (continued).

Connected Indoor Units	Combination Capacity Index	Outdoor Air Temp. (°F DB)	Indoor Air Temp. °F DB / °F WB											
			68 / 57		73 / 61		77 / 64		80 / 67		86 / 72		90 / 75	
			TC	PI	TC	PI	TC	PI	TC	PI	TC	PI	TC	PI
Four (4) Non-Ducted Indoor Units	9 + 9 + 15 + 15	14	31.37	1.54	33.32	1.60	35.27	1.65	36.67	1.67	39.16	1.71	41.11	1.74
		20	31.35	1.56	33.29	1.62	35.24	1.68	36.64	1.70	39.13	1.73	41.08	1.76
		25	31.32	1.58	33.27	1.64	35.21	1.70	36.62	1.72	39.10	1.75	41.05	1.79
		30	31.30	1.61	33.24	1.67	35.19	1.73	36.59	1.75	39.07	1.78	41.02	1.81
		35	31.27	1.63	33.22	1.69	35.16	1.75	36.56	1.77	39.04	1.80	40.99	1.84
		40	31.25	1.65	33.19	1.71	35.13	1.77	36.53	1.79	39.01	1.83	40.95	1.86
		45	31.23	1.67	33.17	1.73	35.10	1.80	36.51	1.82	38.98	1.85	40.92	1.89
		50	31.20	1.69	33.14	1.76	35.08	1.82	36.48	1.84	38.95	1.88	40.89	1.91
		55	31.18	1.72	33.11	1.78	35.05	1.84	36.45	1.87	38.92	1.90	40.86	1.94
		60	31.15	1.74	33.09	1.80	35.02	1.87	36.42	1.89	38.89	1.93	40.83	1.96
		65	31.13	1.76	33.06	1.83	35.00	1.89	36.39	1.91	38.86	1.95	40.80	1.99
		70	31.11	1.78	33.04	1.85	34.97	1.92	36.37	1.94	38.83	1.97	40.77	2.01
		75	30.36	1.88	32.28	1.95	34.21	2.02	35.60	2.04	38.07	2.08	39.99	2.12
		80	29.61	1.98	31.53	2.05	33.45	2.12	34.84	2.15	37.30	2.19	39.22	2.23
		85	28.87	2.07	30.78	2.15	32.70	2.23	34.09	2.25	36.54	2.29	38.46	2.34
		90	28.13	2.17	30.04	2.25	31.95	2.33	33.33	2.36	35.78	2.40	37.69	2.45
		95	27.32	2.26	29.22	2.35	31.13	2.43	32.00	2.46	34.93	2.51	36.84	2.56
		100	26.65	2.36	28.56	2.45	30.46	2.54	31.59	2.57	34.27	2.61	36.17	2.67
		105	25.99	2.46	27.89	2.55	29.80	2.64	31.17	2.67	33.60	2.72	35.51	2.77
		110	25.32	2.55	27.23	2.65	29.13	2.74	30.51	2.77	32.94	2.83	34.84	2.88
		115	24.66	2.65	26.56	2.75	28.47	2.85	29.84	2.88	32.27	2.93	34.18	2.99
	118	24.26	2.71	26.16	2.81	28.07	2.91	29.44	2.94	31.87	3.00	33.78	3.06	
	122	24.13	2.78	26.03	2.89	27.93	2.99	29.31	3.03	31.74	3.08	33.64	3.14	
	12 + 12 + 12 + 12	14	31.37	1.54	33.32	1.60	35.27	1.65	36.67	1.67	39.16	1.71	41.11	1.74
		20	31.35	1.56	33.29	1.62	35.24	1.68	36.64	1.70	39.13	1.73	41.08	1.76
		25	31.32	1.58	33.27	1.64	35.21	1.70	36.62	1.72	39.10	1.75	41.05	1.79
		30	31.30	1.61	33.24	1.67	35.19	1.73	36.59	1.75	39.07	1.78	41.02	1.81
		35	31.27	1.63	33.22	1.69	35.16	1.75	36.56	1.77	39.04	1.80	40.99	1.84
		40	31.25	1.65	33.19	1.71	35.13	1.77	36.53	1.79	39.01	1.83	40.95	1.86
		45	31.23	1.67	33.17	1.73	35.10	1.80	36.51	1.82	38.98	1.85	40.92	1.89
		50	31.20	1.69	33.14	1.76	35.08	1.82	36.48	1.84	38.95	1.88	40.89	1.91
		55	31.18	1.72	33.11	1.78	35.05	1.84	36.45	1.87	38.92	1.90	40.86	1.94
		60	31.15	1.74	33.09	1.80	35.02	1.87	36.42	1.89	38.89	1.93	40.83	1.96
		65	31.13	1.76	33.06	1.83	35.00	1.89	36.39	1.91	38.86	1.95	40.80	1.99
		70	31.11	1.78	33.04	1.85	34.97	1.92	36.37	1.94	38.83	1.97	40.77	2.01
		75	30.36	1.88	32.28	1.95	34.21	2.02	35.60	2.04	38.07	2.08	39.99	2.12
		80	29.61	1.98	31.53	2.05	33.45	2.12	34.84	2.15	37.30	2.19	39.22	2.23
		85	28.87	2.07	30.78	2.15	32.70	2.23	34.09	2.25	36.54	2.29	38.46	2.34
		90	28.13	2.17	30.04	2.25	31.95	2.33	33.33	2.36	35.78	2.40	37.69	2.45
		95	27.32	2.26	29.22	2.35	31.13	2.43	32.00	2.46	34.93	2.51	36.84	2.56
		100	26.65	2.36	28.56	2.45	30.46	2.54	31.59	2.57	34.27	2.61	36.17	2.67
		105	25.99	2.46	27.89	2.55	29.80	2.64	31.17	2.67	33.60	2.72	35.51	2.77
110		25.32	2.55	27.23	2.65	29.13	2.74	30.51	2.77	32.94	2.83	34.84	2.88	
115		24.66	2.65	26.56	2.75	28.47	2.85	29.84	2.88	32.27	2.93	34.18	2.99	
118	24.26	2.71	26.16	2.81	28.07	2.91	29.44	2.94	31.87	3.00	33.78	3.06		
122	24.13	2.78	26.03	2.89	27.93	2.99	29.31	3.03	31.74	3.08	33.64	3.14		

TC = Total Capacity (kBtu/h).

PI = Power Input (kW).

Nominal capacity as rated: 0 ft. above sea level with 25 ft. of refrigerant piping.
0 ft. level difference between outdoor and indoor units.

Nominal cooling capacity rating obtained with air entering the indoor unit at 80°F dry bulb (DB) and 67°F wet bulb (WB), and outdoor ambient conditions of 95°F dry bulb (DB) and 75°F wet bulb (WB).

The shaded table rows indicate reference data. When operating at this temperature, these values can be different if the system is not running consistently.

Table 120: LMU36CHV Cooling Capacity Table — Ducted Indoor Units

Connected Indoor Units	Combination Capacity Index	Outdoor Air Temp. (°F DB)	Indoor Air Temp. °F DB / °F WB											
			68 / 57		73 / 61		77 / 64		80 / 67		86 / 72		90 / 75	
			TC	PI	TC	PI	TC	PI	TC	PI	TC	PI	TC	PI
Two (2) Ducted Indoor Units	9 + 9	14	15.44	1.11	16.40	1.15	17.36	1.20	18.05	1.21	19.28	1.23	20.23	1.26
		20	15.43	1.13	16.39	1.17	17.34	1.21	18.04	1.23	19.26	1.25	20.22	1.28
		25	15.42	1.15	16.37	1.19	17.33	1.23	18.02	1.24	19.25	1.27	20.20	1.29
		30	15.40	1.16	16.36	1.20	17.32	1.25	18.01	1.26	19.23	1.29	20.19	1.31
		35	15.39	1.18	16.35	1.22	17.30	1.26	17.99	1.28	19.22	1.30	20.17	1.33
		40	15.38	1.19	16.34	1.24	17.29	1.28	17.98	1.30	19.20	1.32	20.16	1.35
		45	15.37	1.21	16.32	1.25	17.28	1.30	17.97	1.31	19.19	1.34	20.14	1.37
		50	15.36	1.23	16.31	1.27	17.26	1.32	17.95	1.33	19.17	1.36	20.13	1.38
		55	15.35	1.24	16.30	1.29	17.25	1.33	17.94	1.35	19.16	1.37	20.11	1.40
		60	15.33	1.26	16.29	1.30	17.24	1.35	17.93	1.37	19.14	1.39	20.10	1.42
		65	15.32	1.27	16.27	1.32	17.23	1.37	17.91	1.38	19.13	1.41	20.08	1.44
		70	15.31	1.29	16.26	1.34	17.21	1.39	17.90	1.40	19.11	1.43	20.06	1.46
		75	14.94	1.36	15.89	1.41	16.84	1.46	17.52	1.48	18.74	1.50	19.68	1.53
		80	14.57	1.43	15.52	1.48	16.47	1.53	17.15	1.55	18.36	1.58	19.30	1.61
		85	14.21	1.50	15.15	1.55	16.10	1.61	16.78	1.63	17.98	1.66	18.93	1.69
		90	13.84	1.57	14.78	1.62	15.73	1.68	16.41	1.70	17.61	1.74	18.55	1.77
		95	13.45	1.64	14.38	1.70	15.32	1.76	15.75	1.78	17.19	1.81	18.13	1.85
		100	13.12	1.71	14.06	1.77	14.99	1.83	15.55	1.85	16.87	1.89	17.80	1.93
	105	12.79	1.78	13.73	1.84	14.67	1.91	15.34	1.93	16.54	1.97	17.48	2.01	
	110	12.46	1.85	13.40	1.91	14.34	1.98	15.01	2.01	16.21	2.04	17.15	2.08	
	115	12.14	1.92	13.07	1.99	14.01	2.06	14.69	2.08	15.88	2.12	16.82	2.16	
	118	11.94	1.96	12.88	2.03	13.81	2.10	14.49	2.13	15.69	2.17	16.62	2.21	
	122	11.87	2.01	12.81	2.09	13.75	2.16	14.43	2.19	15.62	2.23	16.56	2.27	
	14	18.01	1.28	19.13	1.32	20.25	1.37	21.06	1.39	22.49	1.41	23.61	1.44	
	20	18.00	1.29	19.12	1.34	20.23	1.39	21.04	1.41	22.47	1.43	23.59	1.46	
	25	17.99	1.31	19.10	1.36	20.22	1.41	21.03	1.43	22.45	1.45	23.57	1.48	
	30	17.97	1.33	19.09	1.38	20.20	1.43	21.01	1.45	22.44	1.47	23.55	1.50	
	35	17.96	1.35	19.07	1.40	20.19	1.45	20.99	1.47	22.42	1.49	23.53	1.52	
	40	17.94	1.37	19.06	1.42	20.17	1.47	20.98	1.49	22.40	1.51	23.52	1.54	
	45	17.93	1.39	19.04	1.44	20.16	1.49	20.96	1.51	22.38	1.53	23.50	1.56	
	50	17.92	1.40	19.03	1.45	20.14	1.51	20.95	1.53	22.37	1.55	23.48	1.58	
	55	17.90	1.42	19.01	1.47	20.13	1.53	20.93	1.55	22.35	1.57	23.46	1.61	
	60	17.89	1.44	19.00	1.49	20.11	1.55	20.91	1.56	22.33	1.59	23.44	1.63	
	65	17.88	1.46	18.99	1.51	20.10	1.57	20.90	1.58	22.32	1.61	23.43	1.65	
	70	17.86	1.48	18.97	1.53	20.08	1.59	20.88	1.60	22.30	1.63	23.41	1.67	
	75	17.43	1.56	18.54	1.61	19.65	1.67	20.44	1.69	21.86	1.72	22.96	1.76	
80	17.00	1.64	18.11	1.70	19.21	1.76	20.01	1.78	21.42	1.81	22.52	1.85		
85	16.58	1.72	17.68	1.78	18.78	1.84	19.57	1.86	20.98	1.90	22.08	1.94		
90	16.15	1.80	17.25	1.86	18.35	1.93	19.14	1.95	20.54	1.99	21.64	2.03		
95	15.69	1.87	16.78	1.94	17.87	2.01	18.38	2.04	20.06	2.08	21.15	2.12		
100	15.31	1.95	16.40	2.03	17.49	2.10	18.14	2.12	19.68	2.16	20.77	2.21		
105	14.92	2.03	16.02	2.11	17.11	2.19	17.90	2.21	19.30	2.25	20.39	2.30		
110	14.54	2.11	15.63	2.19	16.73	2.27	17.52	2.30	18.91	2.34	20.01	2.39		
115	14.16	2.19	15.25	2.27	16.35	2.36	17.13	2.38	18.53	2.43	19.62	2.48		
118	13.93	2.24	15.02	2.32	16.12	2.41	16.91	2.44	18.30	2.48	19.40	2.53		
122	13.85	2.31	14.95	2.39	16.04	2.48	16.83	2.51	18.23	2.55	19.32	2.60		

TC = Total Capacity (kBtu/h).

PI = Power Input (kW).

Nominal capacity as rated: 0 ft. above sea level with 25 ft. of refrigerant piping.
0 ft. level difference between outdoor and indoor units.

Nominal cooling capacity rating obtained with air entering the indoor unit at 80°F dry bulb (DB) and 67°F wet bulb (WB), and outdoor ambient conditions of 95°F dry bulb (DB) and 75°F wet bulb (WB).

The shaded table rows indicate reference data. When operating at this temperature, these values can be different if the system is not running consistently.

Multi F Outdoor Unit Data

PERFORMANCE DATA

Cooling Capacity Tables

MULTI F
MULTI F MAX

Table 121: LMU36CHV Cooling Capacity Table — Ducted Indoor Units (continued)

Connected Indoor Units	Combination Capacity Index	Outdoor Air Temp. (°F DB)	Indoor Air Temp. °F DB / °F WB											
			68 / 57		73 / 61		77 / 64		80 / 67		86 / 72		90 / 75	
			TC	PI	TC	PI	TC	PI	TC	PI	TC	PI	TC	PI
Two (2) Ducted Indoor Units	12 + 12	14	20.59	1.41	21.86	1.46	23.14	1.52	24.07	1.53	25.70	1.56	26.98	1.59
		20	20.57	1.43	21.85	1.48	23.13	1.54	24.05	1.56	25.68	1.58	26.96	1.62
		25	20.55	1.45	21.83	1.50	23.11	1.56	24.03	1.58	25.66	1.61	26.94	1.64
		30	20.54	1.47	21.81	1.53	23.09	1.58	24.01	1.60	25.64	1.63	26.92	1.66
		35	20.52	1.49	21.80	1.55	23.07	1.60	23.99	1.62	25.62	1.65	26.90	1.69
		40	20.51	1.51	21.78	1.57	23.05	1.62	23.97	1.64	25.60	1.67	26.88	1.71
		45	20.49	1.53	21.76	1.59	23.04	1.65	23.96	1.67	25.58	1.70	26.86	1.73
		50	20.48	1.55	21.75	1.61	23.02	1.67	23.94	1.69	25.56	1.72	26.83	1.75
		55	20.46	1.57	21.73	1.63	23.00	1.69	23.92	1.71	25.54	1.74	26.81	1.78
		60	20.44	1.59	21.71	1.65	22.98	1.71	23.90	1.73	25.52	1.76	26.79	1.80
		65	20.43	1.61	21.70	1.67	22.97	1.73	23.88	1.75	25.50	1.79	26.77	1.82
		70	20.41	1.63	21.68	1.69	22.95	1.76	23.86	1.78	25.48	1.81	26.75	1.85
		75	19.92	1.72	21.19	1.79	22.45	1.85	23.36	1.87	24.98	1.91	26.25	1.95
		80	19.43	1.81	20.69	1.88	21.95	1.94	22.87	1.97	24.48	2.00	25.74	2.04
		85	18.94	1.90	20.20	1.97	21.46	2.04	22.37	2.06	23.98	2.10	25.24	2.14
		90	18.46	1.99	19.71	2.06	20.97	2.13	21.87	2.16	23.48	2.20	24.73	2.24
		95	17.93	2.07	19.18	2.15	20.43	2.23	21.00	2.25	22.93	2.30	24.17	2.34
		100	17.49	2.16	18.74	2.24	19.99	2.32	20.73	2.35	22.49	2.39	23.74	2.44
		105	17.06	2.25	18.30	2.33	19.55	2.42	20.46	2.45	22.05	2.49	23.30	2.54
		110	16.62	2.34	17.87	2.42	19.12	2.51	20.02	2.54	21.62	2.59	22.86	2.64
		115	16.18	2.43	17.43	2.52	18.68	2.61	19.58	2.64	21.18	2.69	22.43	2.74
	118	15.92	2.48	17.17	2.57	18.42	2.66	19.32	2.70	20.92	2.75	22.17	2.80	
	122	15.83	2.55	17.08	2.64	18.33	2.74	19.23	2.77	20.83	2.82	22.08	2.88	
	9 + 18	14	23.16	1.57	24.60	1.62	26.04	1.68	27.07	1.70	28.91	1.73	30.35	1.77
		20	23.14	1.59	24.58	1.65	26.02	1.71	27.05	1.73	28.89	1.76	30.33	1.79
		25	23.12	1.61	24.56	1.67	26.00	1.73	27.03	1.75	28.87	1.78	30.30	1.82
		30	23.11	1.63	24.54	1.69	25.98	1.76	27.01	1.78	28.85	1.81	30.28	1.85
		35	23.09	1.66	24.52	1.72	25.96	1.78	26.99	1.80	28.82	1.83	30.26	1.87
		40	23.07	1.68	24.50	1.74	25.94	1.80	26.97	1.82	28.80	1.86	30.24	1.90
		45	23.05	1.70	24.49	1.76	25.92	1.83	26.95	1.85	28.78	1.88	30.21	1.92
		50	23.04	1.72	24.47	1.79	25.90	1.85	26.93	1.87	28.76	1.91	30.19	1.95
		55	23.02	1.75	24.45	1.81	25.88	1.88	26.91	1.90	28.74	1.93	30.17	1.97
		60	23.00	1.77	24.43	1.83	25.86	1.90	26.89	1.92	28.71	1.96	30.14	2.00
		65	22.98	1.79	24.41	1.86	25.84	1.92	26.87	1.95	28.69	1.98	30.12	2.02
		70	22.97	1.81	24.39	1.88	25.82	1.95	26.85	1.97	28.67	2.01	30.10	2.05
		75	22.41	1.91	23.84	1.98	25.26	2.05	26.29	2.08	28.10	2.12	29.53	2.16
		80	21.86	2.01	23.28	2.08	24.70	2.16	25.72	2.18	27.54	2.22	28.96	2.27
		85	21.31	2.11	22.73	2.18	24.14	2.26	25.17	2.29	26.98	2.33	28.39	2.38
		90	20.76	2.21	22.18	2.29	23.59	2.37	24.61	2.40	26.41	2.44	27.83	2.49
		95	20.17	2.30	21.58	2.39	22.98	2.47	23.63	2.50	25.79	2.55	27.20	2.60
		100	19.68	2.40	21.08	2.49	22.49	2.58	23.32	2.61	25.30	2.66	26.70	2.71
		105	19.19	2.50	20.59	2.59	22.00	2.68	23.01	2.72	24.81	2.77	26.21	2.82
110		18.70	2.60	20.10	2.69	21.51	2.79	22.52	2.82	24.32	2.87	25.72	2.93	
115		18.21	2.69	19.61	2.79	21.02	2.90	22.03	2.93	23.83	2.98	25.23	3.04	
118	17.91	2.75	19.32	2.85	20.72	2.96	21.74	2.99	23.53	3.05	24.94	3.11		
122	17.81	2.83	19.22	2.94	20.62	3.04	21.64	3.08	23.43	3.13	24.84	3.20		

TC = Total Capacity (kBtu/h).

PI = Power Input (kW).

Nominal capacity as rated: 0 ft. above sea level with 25 ft. of refrigerant piping.
0 ft. level difference between outdoor and indoor units.

Nominal cooling capacity rating obtained with air entering the indoor unit at 80°F dry bulb (DB) and 67°F wet bulb (WB), and outdoor ambient conditions of 95°F dry bulb (DB) and 75°F wet bulb (WB).

The shaded table rows indicate reference data. When operating at this temperature, these values can be different if the system is not running consistently.

Multi F and Multi F MAX Heat Pump System Engineering Manual

Table 122: LMU36CHV Cooling Capacity Table — Ducted Indoor Units (continued)

Connected Indoor Units	Combination Capacity Index	Outdoor Air Temp. (°F DB)	Indoor Air Temp. °F DB / °F WB											
			68 / 57		73 / 61		77 / 64		80 / 67		86 / 72		90 / 75	
			TC	PI	TC	PI	TC	PI	TC	PI	TC	PI	TC	PI
Two (2) Ducted Indoor Units	12 + 18	14	25.73	1.70	27.33	1.76	28.93	1.83	30.08	1.85	32.13	1.88	33.72	1.92
		20	25.71	1.73	27.31	1.79	28.91	1.86	30.06	1.88	32.10	1.91	33.70	1.95
		25	25.69	1.75	27.29	1.82	28.88	1.88	30.04	1.90	32.08	1.94	33.67	1.98
		30	25.67	1.78	27.27	1.84	28.86	1.91	30.01	1.93	32.05	1.97	33.65	2.01
		35	25.65	1.80	27.25	1.87	28.84	1.93	29.99	1.96	32.03	1.99	33.62	2.03
		40	25.63	1.82	27.23	1.89	28.82	1.96	29.97	1.98	32.00	2.02	33.59	2.06
		45	25.62	1.85	27.21	1.92	28.80	1.99	29.95	2.01	31.98	2.05	33.57	2.09
		50	25.60	1.87	27.19	1.94	28.77	2.01	29.92	2.04	31.95	2.07	33.54	2.12
		55	25.58	1.90	27.16	1.97	28.75	2.04	29.90	2.06	31.93	2.10	33.52	2.14
		60	25.56	1.92	27.14	1.99	28.73	2.07	29.88	2.09	31.90	2.13	33.49	2.17
		65	25.54	1.95	27.12	2.02	28.71	2.09	29.85	2.12	31.88	2.16	33.47	2.20
		70	25.52	1.97	27.10	2.04	28.69	2.12	29.83	2.14	31.86	2.18	33.44	2.23
		75	24.90	2.08	26.48	2.15	28.06	2.23	29.21	2.26	31.23	2.30	32.81	2.35
		80	24.29	2.18	25.87	2.26	27.44	2.35	28.58	2.37	30.60	2.42	32.17	2.47
		85	23.68	2.29	25.25	2.37	26.83	2.46	27.96	2.49	29.97	2.54	31.55	2.59
		90	23.07	2.40	24.64	2.48	26.21	2.58	27.34	2.60	29.35	2.65	30.92	2.71
		95	22.41	2.50	23.97	2.59	25.53	2.69	26.25	2.72	28.66	2.77	30.22	2.83
		100	21.87	2.61	23.43	2.70	24.99	2.80	25.91	2.84	28.11	2.89	29.67	2.95
		105	21.32	2.72	22.88	2.82	24.44	2.92	25.57	2.95	27.56	3.01	29.13	3.07
		110	20.77	2.82	22.34	2.93	23.90	3.03	25.02	3.07	27.02	3.12	28.58	3.19
		115	20.23	2.93	21.79	3.04	23.35	3.15	24.48	3.18	26.47	3.24	28.03	3.31
		118	19.90	2.99	21.46	3.10	23.02	3.21	24.15	3.25	26.15	3.31	27.71	3.38
	122	19.79	3.08	21.35	3.19	22.91	3.31	24.04	3.34	26.04	3.41	27.60	3.48	
	9 + 24	14	27.45	1.79	29.15	1.85	30.86	1.92	32.09	1.94	34.27	1.98	35.97	2.02
		20	27.43	1.81	29.13	1.88	30.83	1.95	32.06	1.97	34.24	2.01	35.94	2.05
		25	27.41	1.84	29.11	1.90	30.81	1.97	32.04	2.00	34.21	2.03	35.92	2.08
		30	27.39	1.86	29.09	1.93	30.79	2.00	32.02	2.03	34.19	2.06	35.89	2.10
		35	27.36	1.89	29.06	1.96	30.76	2.03	31.99	2.05	34.16	2.09	35.86	2.13
		40	27.34	1.91	29.04	1.98	30.74	2.06	31.97	2.08	34.14	2.12	35.83	2.16
		45	27.32	1.94	29.02	2.01	30.72	2.08	31.94	2.11	34.11	2.15	35.81	2.19
		50	27.30	1.97	29.00	2.04	30.69	2.11	31.92	2.14	34.08	2.18	35.78	2.22
		55	27.28	1.99	28.98	2.06	30.67	2.14	31.89	2.16	34.06	2.21	35.75	2.25
		60	27.26	2.02	28.95	2.09	30.65	2.17	31.87	2.19	34.03	2.23	35.72	2.28
		65	27.24	2.04	28.93	2.12	30.62	2.20	31.84	2.22	34.01	2.26	35.70	2.31
		70	27.22	2.07	28.91	2.14	30.60	2.22	31.82	2.25	33.98	2.29	35.67	2.34
		75	26.56	2.18	28.25	2.26	29.94	2.34	31.15	2.37	33.31	2.41	34.99	2.46
		80	25.91	2.29	27.59	2.38	29.27	2.46	30.49	2.49	32.64	2.54	34.32	2.59
		85	25.26	2.40	26.94	2.49	28.61	2.58	29.83	2.61	31.97	2.66	33.65	2.71
		90	24.61	2.52	26.28	2.61	27.96	2.70	29.17	2.73	31.30	2.78	32.98	2.84
		95	23.91	2.63	25.57	2.72	27.24	2.82	28.00	2.85	30.57	2.91	32.23	2.97
		100	23.32	2.74	24.99	2.84	26.65	2.94	27.64	2.98	29.98	3.03	31.65	3.09
		105	22.74	2.85	24.41	2.95	26.07	3.06	27.27	3.10	29.40	3.16	31.07	3.22
110		22.16	2.96	23.82	3.07	25.49	3.18	26.69	3.22	28.82	3.28	30.49	3.34	
115	21.58	3.07	23.24	3.19	24.91	3.30	26.11	3.34	28.24	3.40	29.90	3.47		
118	21.23	3.14	22.89	3.25	24.56	3.37	25.76	3.41	27.89	3.48	29.55	3.55		
122	21.11	3.23	22.78	3.35	24.44	3.47	25.64	3.51	27.77	3.58	29.44	3.65		

TC = Total Capacity (kBtu/h).

PI = Power Input (kW).

Nominal capacity as rated: 0 ft. above sea level with 25 ft. of refrigerant piping.
0 ft. level difference between outdoor and indoor units.

Nominal cooling capacity rating obtained with air entering the indoor unit at 80°F dry bulb (DB) and 67°F wet bulb (WB), and outdoor ambient conditions of 95°F dry bulb (DB) and 75°F wet bulb (WB).

The shaded table rows indicate reference data. When operating at this temperature, these values can be different if the system is not running consistently.

PERFORMANCE DATA

Cooling Capacity Tables

MULTI F
MULTI F MAX

Table 123: LMU36CHV Cooling Capacity Table — Ducted Indoor Units (continued).

Connected Indoor Units	Combination Capacity Index	Outdoor Air Temp. (°F DB)	Indoor Air Temp. °F DB / °F WB											
			68 / 57		73 / 61		77 / 64		80 / 67		86 / 72		90 / 75	
			TC	PI	TC	PI	TC	PI	TC	PI	TC	PI	TC	PI
Two (2) Ducted Indoor Units	18 + 18	14	27.45	1.79	29.15	1.85	30.86	1.92	32.09	1.94	34.27	1.98	35.97	2.02
		20	27.43	1.81	29.13	1.88	30.83	1.95	32.06	1.97	34.24	2.01	35.94	2.05
		25	27.41	1.84	29.11	1.90	30.81	1.97	32.04	2.00	34.21	2.03	35.92	2.08
		30	27.39	1.86	29.09	1.93	30.79	2.00	32.02	2.03	34.19	2.06	35.89	2.10
		35	27.36	1.89	29.06	1.96	30.76	2.03	31.99	2.05	34.16	2.09	35.86	2.13
		40	27.34	1.91	29.04	1.98	30.74	2.06	31.97	2.08	34.14	2.12	35.83	2.16
		45	27.32	1.94	29.02	2.01	30.72	2.08	31.94	2.11	34.11	2.15	35.81	2.19
		50	27.30	1.97	29.00	2.04	30.69	2.11	31.92	2.14	34.08	2.18	35.78	2.22
		55	27.28	1.99	28.98	2.06	30.67	2.14	31.89	2.16	34.06	2.21	35.75	2.25
		60	27.26	2.02	28.95	2.09	30.65	2.17	31.87	2.19	34.03	2.23	35.72	2.28
		65	27.24	2.04	28.93	2.12	30.62	2.20	31.84	2.22	34.01	2.26	35.70	2.31
		70	27.22	2.07	28.91	2.14	30.60	2.22	31.82	2.25	33.98	2.29	35.67	2.34
		75	26.56	2.18	28.25	2.26	29.94	2.34	31.15	2.37	33.31	2.41	34.99	2.46
		80	25.91	2.29	27.59	2.38	29.27	2.46	30.49	2.49	32.64	2.54	34.32	2.59
		85	25.26	2.40	26.94	2.49	28.61	2.58	29.83	2.61	31.97	2.66	33.65	2.71
		90	24.61	2.52	26.28	2.61	27.96	2.70	29.17	2.73	31.30	2.78	32.98	2.84
		95	23.91	2.63	25.57	2.72	27.24	2.82	28.00	2.85	30.57	2.91	32.23	2.97
		100	23.32	2.74	24.99	2.84	26.65	2.94	27.64	2.98	29.98	3.03	31.65	3.09
		105	22.74	2.85	24.41	2.95	26.07	3.06	27.27	3.10	29.40	3.16	31.07	3.22
		110	22.16	2.96	23.82	3.07	25.49	3.18	26.69	3.22	28.82	3.28	30.49	3.34
		115	21.58	3.07	23.24	3.19	24.91	3.30	26.11	3.34	28.24	3.40	29.90	3.47
		118	21.23	3.14	22.89	3.25	24.56	3.37	25.76	3.41	27.89	3.48	29.55	3.55
	122	21.11	3.23	22.78	3.35	24.44	3.47	25.64	3.51	27.77	3.58	29.44	3.65	
	14	27.45	1.79	29.15	1.85	30.86	1.92	32.09	1.94	34.27	1.98	35.97	2.02	
	20	27.43	1.81	29.13	1.88	30.83	1.95	32.06	1.97	34.24	2.01	35.94	2.05	
	25	27.41	1.84	29.11	1.90	30.81	1.97	32.04	2.00	34.21	2.03	35.92	2.08	
	30	27.39	1.86	29.09	1.93	30.79	2.00	32.02	2.03	34.19	2.06	35.89	2.10	
	35	27.36	1.89	29.06	1.96	30.76	2.03	31.99	2.05	34.16	2.09	35.86	2.13	
	40	27.34	1.91	29.04	1.98	30.74	2.06	31.97	2.08	34.14	2.12	35.83	2.16	
	45	27.32	1.94	29.02	2.01	30.72	2.08	31.94	2.11	34.11	2.15	35.81	2.19	
	50	27.30	1.97	29.00	2.04	30.69	2.11	31.92	2.14	34.08	2.18	35.78	2.22	
	55	27.28	1.99	28.98	2.06	30.67	2.14	31.89	2.16	34.06	2.21	35.75	2.25	
	60	27.26	2.02	28.95	2.09	30.65	2.17	31.87	2.19	34.03	2.23	35.72	2.28	
	65	27.24	2.04	28.93	2.12	30.62	2.20	31.84	2.22	34.01	2.26	35.70	2.31	
	70	27.22	2.07	28.91	2.14	30.60	2.22	31.82	2.25	33.98	2.29	35.67	2.34	
	75	26.56	2.18	28.25	2.26	29.94	2.34	31.15	2.37	33.31	2.41	34.99	2.46	
	80	25.91	2.29	27.59	2.38	29.27	2.46	30.49	2.49	32.64	2.54	34.32	2.59	
	85	25.26	2.40	26.94	2.49	28.61	2.58	29.83	2.61	31.97	2.66	33.65	2.71	
	90	24.61	2.52	26.28	2.61	27.96	2.70	29.17	2.73	31.30	2.78	32.98	2.84	
	95	23.91	2.63	25.57	2.72	27.24	2.82	28.00	2.85	30.57	2.91	32.23	2.97	
	100	23.32	2.74	24.99	2.84	26.65	2.94	27.64	2.98	29.98	3.03	31.65	3.09	
	105	22.74	2.85	24.41	2.95	26.07	3.06	27.27	3.10	29.40	3.16	31.07	3.22	
	110	22.16	2.96	23.82	3.07	25.49	3.18	26.69	3.22	28.82	3.28	30.49	3.34	
	115	21.58	3.07	23.24	3.19	24.91	3.30	26.11	3.34	28.24	3.40	29.90	3.47	
	118	21.23	3.14	22.89	3.25	24.56	3.37	25.76	3.41	27.89	3.48	29.55	3.55	
	122	21.11	3.23	22.78	3.35	24.44	3.47	25.64	3.51	27.77	3.58	29.44	3.65	

TC = Total Capacity (kBtu/h).

PI = Power Input (kW).

Nominal capacity as rated: 0 ft. above sea level with 25 ft. of refrigerant piping.
0 ft. level difference between outdoor and indoor units.

Nominal cooling capacity rating obtained with air entering the indoor unit at 80°F dry bulb (DB) and 67°F wet bulb (WB), and outdoor ambient conditions of 95°F dry bulb (DB) and 75°F wet bulb (WB).

The shaded table rows indicate reference data. When operating at this temperature, these values can be different if the system is not running consistently.

Table 124: LMU36CHV Cooling Capacity Table — Ducted Indoor Units (continued).

Connected Indoor Units	Combination Capacity Index	Outdoor Air Temp. (°F DB)	Indoor Air Temp. °F DB / °F WB												
			68 / 57		73 / 61		77 / 64		80 / 67		86 / 72		90 / 75		
			TC	PI	TC	PI	TC	PI	TC	PI	TC	PI	TC	PI	
Three (3) Ducted Indoor Units	9 + 9 + 9	14	23.16	1.49	24.60	1.54	26.04	1.60	27.07	1.62	28.91	1.65	30.35	1.68	
		20	23.14	1.51	24.58	1.57	26.02	1.62	27.05	1.64	28.89	1.67	30.33	1.71	
		25	23.12	1.53	24.56	1.59	26.00	1.65	27.03	1.66	28.87	1.70	30.30	1.73	
		30	23.11	1.55	24.54	1.61	25.98	1.67	27.01	1.69	28.85	1.72	30.28	1.75	
		35	23.09	1.57	24.52	1.63	25.96	1.69	26.99	1.71	28.82	1.74	30.26	1.78	
		40	23.07	1.60	24.50	1.65	25.94	1.71	26.97	1.73	28.80	1.77	30.24	1.80	
		45	23.05	1.62	24.49	1.68	25.92	1.74	26.95	1.76	28.78	1.79	30.21	1.83	
		50	23.04	1.64	24.47	1.70	25.90	1.76	26.93	1.78	28.76	1.81	30.19	1.85	
		55	23.02	1.66	24.45	1.72	25.88	1.78	26.91	1.80	28.74	1.84	30.17	1.87	
		60	23.00	1.68	24.43	1.74	25.86	1.81	26.89	1.83	28.71	1.86	30.14	1.90	
		65	22.98	1.70	24.41	1.76	25.84	1.83	26.87	1.85	28.69	1.88	30.12	1.92	
		70	22.97	1.72	24.39	1.79	25.82	1.85	26.85	1.87	28.67	1.91	30.10	1.95	
		75	22.41	1.82	23.84	1.88	25.26	1.95	26.29	1.97	28.10	2.01	29.53	2.05	
		80	21.86	1.91	23.28	1.98	24.70	2.05	25.72	2.08	27.54	2.11	28.96	2.16	
		85	21.31	2.00	22.73	2.08	24.14	2.15	25.17	2.18	26.98	2.22	28.39	2.26	
	90	20.76	2.10	22.18	2.17	23.59	2.25	24.61	2.28	26.41	2.32	27.83	2.37		
	95	20.17	2.19	21.58	2.27	22.98	2.35	23.63	2.38	23.63	2.38	25.79	2.42	27.20	2.47
	100	19.68	2.28	21.08	2.37	22.49	2.45	23.32	2.48	25.30	2.53	26.70	2.58		
	105	19.19	2.38	20.59	2.46	22.00	2.55	23.01	2.58	24.81	2.63	26.21	2.68		
	110	18.70	2.47	20.10	2.56	21.51	2.65	22.52	2.68	24.32	2.73	25.72	2.79		
	115	18.21	2.56	19.61	2.65	21.02	2.75	22.03	2.78	23.83	2.84	25.23	2.89		
	118	17.91	2.62	19.32	2.71	20.72	2.81	21.74	2.84	23.53	2.90	24.94	2.96		
	122	17.81	2.69	19.22	2.79	20.62	2.89	21.64	2.92	23.43	2.98	24.84	3.04		
	9 + 9 + 12	14	25.73	1.59	27.33	1.65	28.93	1.71	30.08	1.73	32.13	1.76	33.72	1.80	
		20	25.71	1.62	27.31	1.67	28.91	1.74	30.06	1.76	32.10	1.79	33.70	1.82	
25		25.69	1.64	27.29	1.70	28.88	1.76	30.04	1.78	32.08	1.81	33.67	1.85		
30		25.67	1.66	27.27	1.72	28.86	1.78	30.01	1.80	32.05	1.84	33.65	1.88		
35		25.65	1.68	27.25	1.75	28.84	1.81	29.99	1.83	32.03	1.86	33.62	1.90		
40		25.63	1.71	27.23	1.77	28.82	1.83	29.97	1.85	32.00	1.89	33.59	1.93		
45		25.62	1.73	27.21	1.79	28.80	1.86	29.95	1.88	31.98	1.91	33.57	1.95		
50		25.60	1.75	27.19	1.82	28.77	1.88	29.92	1.90	31.95	1.94	33.54	1.98		
55		25.58	1.78	27.16	1.84	28.75	1.91	29.90	1.93	31.93	1.97	33.52	2.00		
60		25.56	1.80	27.14	1.86	28.73	1.93	29.88	1.95	31.90	1.99	33.49	2.03		
65		25.54	1.82	27.12	1.89	28.71	1.96	29.85	1.98	31.88	2.02	33.47	2.06		
70		25.52	1.84	27.10	1.91	28.69	1.98	29.83	2.00	31.86	2.04	33.44	2.08		
75		24.90	1.94	26.48	2.01	28.06	2.09	29.21	2.11	31.23	2.15	32.81	2.19		
80		24.29	2.04	25.87	2.12	27.44	2.19	28.58	2.22	30.60	2.26	32.17	2.31		
85		23.68	2.14	25.25	2.22	26.83	2.30	27.96	2.33	29.97	2.37	31.55	2.42		
90		23.07	2.24	24.64	2.32	26.21	2.41	27.34	2.44	29.35	2.48	30.92	2.53		
95		22.41	2.34	23.97	2.43	25.53	2.52	26.25	2.54	28.66	2.59	30.22	2.64		
100		21.87	2.44	23.43	2.53	24.99	2.62	25.91	2.65	28.11	2.70	29.67	2.76		
105	21.32	2.54	22.88	2.63	24.44	2.73	25.57	2.76	27.56	2.81	29.13	2.87			
110	20.77	2.64	22.34	2.74	23.90	2.84	25.02	2.87	27.02	2.92	28.58	2.98			
115	20.23	2.74	21.79	2.84	23.35	2.94	24.48	2.98	26.47	3.03	28.03	3.09			
118	19.90	2.80	21.46	2.90	23.02	3.01	24.15	3.04	26.15	3.10	27.71	3.16			
122	19.79	2.88	21.35	2.98	22.91	3.09	24.04	3.13	26.04	3.19	27.60	3.25			

TC = Total Capacity (kBtu/h).
PI = Power Input (kW).

Nominal capacity as rated: 0 ft. above sea level with 25 ft. of refrigerant piping.
0 ft. level difference between outdoor and indoor units.

Nominal cooling capacity rating obtained with air entering the indoor unit at 80°F dry bulb (DB) and 67°F wet bulb (WB), and outdoor ambient conditions of 95°F dry bulb (DB) and 75°F wet bulb (WB).

The shaded table rows indicate reference data. When operating at this temperature, these values can be different if the system is not running consistently.

PERFORMANCE DATA

Cooling Capacity Tables

MULTI F
MULTI F MAX

Table 125: LMU36CHV Cooling Capacity Table — Ducted Indoor Units (continued).

Connected Indoor Units	Combination Capacity Index	Outdoor Air Temp. (°F DB)	Indoor Air Temp. °F DB / °F WB											
			68 / 57		73 / 61		77 / 64		80 / 67		86 / 72		90 / 75	
			TC	PI	TC	PI	TC	PI	TC	PI	TC	PI	TC	PI
Three (3) Ducted Indoor Units	9 + 12 + 12	14	27.45	1.67	29.15	1.73	30.86	1.79	32.09	1.81	34.27	1.85	35.97	1.89
		20	27.43	1.69	29.13	1.76	30.83	1.82	32.06	1.84	34.24	1.88	35.94	1.91
		25	27.41	1.72	29.11	1.78	30.81	1.85	32.04	1.87	34.21	1.90	35.92	1.94
		30	27.39	1.74	29.09	1.81	30.79	1.87	32.02	1.89	34.19	1.93	35.89	1.97
		35	27.36	1.77	29.06	1.83	30.76	1.90	31.99	1.92	34.16	1.96	35.86	1.99
		40	27.34	1.79	29.04	1.86	30.74	1.92	31.97	1.95	34.14	1.98	35.83	2.02
		45	27.32	1.81	29.02	1.88	30.72	1.95	31.94	1.97	34.11	2.01	35.81	2.05
		50	27.30	1.84	29.00	1.91	30.69	1.97	31.92	2.00	34.08	2.03	35.78	2.08
		55	27.28	1.86	28.98	1.93	30.67	2.00	31.89	2.02	34.06	2.06	35.75	2.10
		60	27.26	1.89	28.95	1.95	30.65	2.03	31.87	2.05	34.03	2.09	35.72	2.13
		65	27.24	1.91	28.93	1.98	30.62	2.05	31.84	2.08	34.01	2.11	35.70	2.16
		70	27.22	1.93	28.91	2.00	30.60	2.08	31.82	2.10	33.98	2.14	35.67	2.18
		75	26.56	2.04	28.25	2.11	29.94	2.19	31.15	2.22	33.31	2.26	34.99	2.30
		80	25.91	2.14	27.59	2.22	29.27	2.30	30.49	2.33	32.64	2.37	34.32	2.42
		85	25.26	2.25	26.94	2.33	28.61	2.41	29.83	2.44	31.97	2.49	33.65	2.54
		90	24.61	2.35	26.28	2.44	27.96	2.53	29.17	2.56	31.30	2.60	32.98	2.66
		95	23.91	2.46	25.57	2.55	27.24	2.64	28.00	2.67	30.57	2.72	32.23	2.77
		100	23.32	2.56	24.99	2.65	26.65	2.75	27.64	2.78	29.98	2.83	31.65	2.89
		105	22.74	2.66	24.41	2.76	26.07	2.86	27.27	2.90	29.40	2.95	31.07	3.01
		110	22.16	2.77	23.82	2.87	25.49	2.97	26.69	3.01	28.82	3.07	30.49	3.13
		115	21.58	2.87	23.24	2.98	24.91	3.09	26.11	3.12	28.24	3.18	29.90	3.24
	118	21.23	2.94	22.89	3.04	24.56	3.15	25.76	3.19	27.89	3.25	29.55	3.32	
	122	21.11	3.02	22.78	3.13	24.44	3.24	25.64	3.28	27.77	3.34	29.44	3.41	
	9 + 9 + 18	14	27.45	1.67	29.15	1.73	30.86	1.79	32.09	1.81	34.27	1.85	35.97	1.89
		20	27.43	1.69	29.13	1.76	30.83	1.82	32.06	1.84	34.24	1.88	35.94	1.91
		25	27.41	1.72	29.11	1.78	30.81	1.85	32.04	1.87	34.21	1.90	35.92	1.94
		30	27.39	1.74	29.09	1.81	30.79	1.87	32.02	1.89	34.19	1.93	35.89	1.97
		35	27.36	1.77	29.06	1.83	30.76	1.90	31.99	1.92	34.16	1.96	35.86	1.99
		40	27.34	1.79	29.04	1.86	30.74	1.92	31.97	1.95	34.14	1.98	35.83	2.02
		45	27.32	1.81	29.02	1.88	30.72	1.95	31.94	1.97	34.11	2.01	35.81	2.05
		50	27.30	1.84	29.00	1.91	30.69	1.97	31.92	2.00	34.08	2.03	35.78	2.08
		55	27.28	1.86	28.98	1.93	30.67	2.00	31.89	2.02	34.06	2.06	35.75	2.10
		60	27.26	1.89	28.95	1.95	30.65	2.03	31.87	2.05	34.03	2.09	35.72	2.13
		65	27.24	1.91	28.93	1.98	30.62	2.05	31.84	2.08	34.01	2.11	35.70	2.16
		70	27.22	1.93	28.91	2.00	30.60	2.08	31.82	2.10	33.98	2.14	35.67	2.18
		75	26.56	2.04	28.25	2.11	29.94	2.19	31.15	2.22	33.31	2.26	34.99	2.30
		80	25.91	2.14	27.59	2.22	29.27	2.30	30.49	2.33	32.64	2.37	34.32	2.42
		85	25.26	2.25	26.94	2.33	28.61	2.41	29.83	2.44	31.97	2.49	33.65	2.54
		90	24.61	2.35	26.28	2.44	27.96	2.53	29.17	2.56	31.30	2.60	32.98	2.66
		95	23.91	2.46	25.57	2.55	27.24	2.64	28.00	2.67	30.57	2.72	32.23	2.77
		100	23.32	2.56	24.99	2.65	26.65	2.75	27.64	2.78	29.98	2.83	31.65	2.89
		105	22.74	2.66	24.41	2.76	26.07	2.86	27.27	2.90	29.40	2.95	31.07	3.01
110		22.16	2.77	23.82	2.87	25.49	2.97	26.69	3.01	28.82	3.07	30.49	3.13	
115		21.58	2.87	23.24	2.98	24.91	3.09	26.11	3.12	28.24	3.18	29.90	3.24	
118	21.23	2.94	22.89	3.04	24.56	3.15	25.76	3.19	27.89	3.25	29.55	3.32		
122	21.11	3.02	22.78	3.13	24.44	3.24	25.64	3.28	27.77	3.34	29.44	3.41		

TC = Total Capacity (kBtu/h).

PI = Power Input (kW).

Nominal capacity as rated: 0 ft. above sea level with 25 ft. of refrigerant piping.
0 ft. level difference between outdoor and indoor units.

Nominal cooling capacity rating obtained with air entering the indoor unit at 80°F dry bulb (DB) and 67°F wet bulb (WB), and outdoor ambient conditions of 95°F dry bulb (DB) and 75°F wet bulb (WB).

The shaded table rows indicate reference data. When operating at this temperature, these values can be different if the system is not running consistently.

Table 126: LMU36CHV Cooling Capacity Table — Ducted Indoor Units (continued).

Connected Indoor Units	Combination Capacity Index	Outdoor Air Temp. (°F DB)	Indoor Air Temp. °F DB / °F WB											
			68 / 57		73 / 61		77 / 64		80 / 67		86 / 72		90 / 75	
			TC	PI	TC	PI	TC	PI	TC	PI	TC	PI	TC	PI
Three (3) Ducted Indoor Units	12 + 12 + 12	14	27.45	1.67	29.15	1.73	30.86	1.79	32.09	1.81	34.27	1.85	35.97	1.89
		20	27.43	1.69	29.13	1.76	30.83	1.82	32.06	1.84	34.24	1.88	35.94	1.91
		25	27.41	1.72	29.11	1.78	30.81	1.85	32.04	1.87	34.21	1.90	35.92	1.94
		30	27.39	1.74	29.09	1.81	30.79	1.87	32.02	1.89	34.19	1.93	35.89	1.97
		35	27.36	1.77	29.06	1.83	30.76	1.90	31.99	1.92	34.16	1.96	35.86	1.99
		40	27.34	1.79	29.04	1.86	30.74	1.92	31.97	1.95	34.14	1.98	35.83	2.02
		45	27.32	1.81	29.02	1.88	30.72	1.95	31.94	1.97	34.11	2.01	35.81	2.05
		50	27.30	1.84	29.00	1.91	30.69	1.97	31.92	2.00	34.08	2.03	35.78	2.08
		55	27.28	1.86	28.98	1.93	30.67	2.00	31.89	2.02	34.06	2.06	35.75	2.10
		60	27.26	1.89	28.95	1.95	30.65	2.03	31.87	2.05	34.03	2.09	35.72	2.13
		65	27.24	1.91	28.93	1.98	30.62	2.05	31.84	2.08	34.01	2.11	35.70	2.16
		70	27.22	1.93	28.91	2.00	30.60	2.08	31.82	2.10	33.98	2.14	35.67	2.18
		75	26.56	2.04	28.25	2.11	29.94	2.19	31.15	2.22	33.31	2.26	34.99	2.30
		80	25.91	2.14	27.59	2.22	29.27	2.30	30.49	2.33	32.64	2.37	34.32	2.42
	85	25.26	2.25	26.94	2.33	28.61	2.41	29.83	2.44	31.97	2.49	33.65	2.54	
	90	24.61	2.35	26.28	2.44	27.96	2.53	29.17	2.56	31.30	2.60	32.98	2.66	
	95	23.91	2.46	25.57	2.55	27.24	2.64	28.00	2.67	30.57	2.72	32.23	2.77	
	100	23.32	2.56	24.99	2.65	26.65	2.75	27.64	2.78	29.98	2.83	31.65	2.89	
	105	22.74	2.66	24.41	2.76	26.07	2.86	27.27	2.90	29.40	2.95	31.07	3.01	
	110	22.16	2.77	23.82	2.87	25.49	2.97	26.69	3.01	28.82	3.07	30.49	3.13	
	115	21.58	2.87	23.24	2.98	24.91	3.09	26.11	3.12	28.24	3.18	29.90	3.24	
	118	21.23	2.94	22.89	3.04	24.56	3.15	25.76	3.19	27.89	3.25	29.55	3.32	
	122	21.11	3.02	22.78	3.13	24.44	3.24	25.64	3.28	27.77	3.34	29.44	3.41	
	9 + 12 + 18	14	27.45	1.67	29.15	1.73	30.86	1.79	32.09	1.81	34.27	1.85	35.97	1.89
		20	27.43	1.69	29.13	1.76	30.83	1.82	32.06	1.84	34.24	1.88	35.94	1.91
		25	27.41	1.72	29.11	1.78	30.81	1.85	32.04	1.87	34.21	1.90	35.92	1.94
		30	27.39	1.74	29.09	1.81	30.79	1.87	32.02	1.89	34.19	1.93	35.89	1.97
		35	27.36	1.77	29.06	1.83	30.76	1.90	31.99	1.92	34.16	1.96	35.86	1.99
40		27.34	1.79	29.04	1.86	30.74	1.92	31.97	1.95	34.14	1.98	35.83	2.02	
45		27.32	1.81	29.02	1.88	30.72	1.95	31.94	1.97	34.11	2.01	35.81	2.05	
50		27.30	1.84	29.00	1.91	30.69	1.97	31.92	2.00	34.08	2.03	35.78	2.08	
55		27.28	1.86	28.98	1.93	30.67	2.00	31.89	2.02	34.06	2.06	35.75	2.10	
60		27.26	1.89	28.95	1.95	30.65	2.03	31.87	2.05	34.03	2.09	35.72	2.13	
65		27.24	1.91	28.93	1.98	30.62	2.05	31.84	2.08	34.01	2.11	35.70	2.16	
70		27.22	1.93	28.91	2.00	30.60	2.08	31.82	2.10	33.98	2.14	35.67	2.18	
75		26.56	2.04	28.25	2.11	29.94	2.19	31.15	2.22	33.31	2.26	34.99	2.30	
80		25.91	2.14	27.59	2.22	29.27	2.30	30.49	2.33	32.64	2.37	34.32	2.42	
85	25.26	2.25	26.94	2.33	28.61	2.41	29.83	2.44	31.97	2.49	33.65	2.54		
90	24.61	2.35	26.28	2.44	27.96	2.53	29.17	2.56	31.30	2.60	32.98	2.66		
95	23.91	2.46	25.57	2.55	27.24	2.64	28.00	2.67	30.57	2.72	32.23	2.77		
100	23.32	2.56	24.99	2.65	26.65	2.75	27.64	2.78	29.98	2.83	31.65	2.89		
105	22.74	2.66	24.41	2.76	26.07	2.86	27.27	2.90	29.40	2.95	31.07	3.01		
110	22.16	2.77	23.82	2.87	25.49	2.97	26.69	3.01	28.82	3.07	30.49	3.13		
115	21.58	2.87	23.24	2.98	24.91	3.09	26.11	3.12	28.24	3.18	29.90	3.24		
118	21.23	2.94	22.89	3.04	24.56	3.15	25.76	3.19	27.89	3.25	29.55	3.32		
122	21.11	3.02	22.78	3.13	24.44	3.24	25.64	3.28	27.77	3.34	29.44	3.41		

TC = Total Capacity (kBtu/h).

PI = Power Input (kW).

Nominal capacity as rated: 0 ft. above sea level with 25 ft. of refrigerant piping.
0 ft. level difference between outdoor and indoor units.

Nominal cooling capacity rating obtained with air entering the indoor unit at 80°F dry bulb (DB) and 67°F wet bulb (WB), and outdoor ambient conditions of 95°F dry bulb (DB) and 75°F wet bulb (WB).

The shaded table rows indicate reference data. When operating at this temperature, these values can be different if the system is not running consistently.

PERFORMANCE DATA

Cooling Capacity Tables

MULTI F
MULTI F MAX

Table 127: LMU36CHV Cooling Capacity Table — Ducted Indoor Units (continued).

Connected Indoor Units	Combination Capacity Index	Outdoor Air Temp. (°F DB)	Indoor Air Temp. °F DB / °F WB											
			68 / 57		73 / 61		77 / 64		80 / 67		86 / 72		90 / 75	
			TC	PI	TC	PI	TC	PI	TC	PI	TC	PI	TC	PI
Three (3) Ducted Indoor Units	12 + 12 + 18	14	27.45	1.67	29.15	1.73	30.86	1.79	32.09	1.81	34.27	1.85	35.97	1.89
		20	27.43	1.69	29.13	1.76	30.83	1.82	32.06	1.84	34.24	1.88	35.94	1.91
		25	27.41	1.72	29.11	1.78	30.81	1.85	32.04	1.87	34.21	1.90	35.92	1.94
		30	27.39	1.74	29.09	1.81	30.79	1.87	32.02	1.89	34.19	1.93	35.89	1.97
		35	27.36	1.77	29.06	1.83	30.76	1.90	31.99	1.92	34.16	1.96	35.86	1.99
		40	27.34	1.79	29.04	1.86	30.74	1.92	31.97	1.95	34.14	1.98	35.83	2.02
		45	27.32	1.81	29.02	1.88	30.72	1.95	31.94	1.97	34.11	2.01	35.81	2.05
		50	27.30	1.84	29.00	1.91	30.69	1.97	31.92	2.00	34.08	2.03	35.78	2.08
		55	27.28	1.86	28.98	1.93	30.67	2.00	31.89	2.02	34.06	2.06	35.75	2.10
		60	27.26	1.89	28.95	1.95	30.65	2.03	31.87	2.05	34.03	2.09	35.72	2.13
		65	27.24	1.91	28.93	1.98	30.62	2.05	31.84	2.08	34.01	2.11	35.70	2.16
		70	27.22	1.93	28.91	2.00	30.60	2.08	31.82	2.10	33.98	2.14	35.67	2.18
	75	26.56	2.04	28.25	2.11	29.94	2.19	31.15	2.22	33.31	2.26	34.99	2.30	
	80	25.91	2.14	27.59	2.22	29.27	2.30	30.49	2.33	32.64	2.37	34.32	2.42	
	85	25.26	2.25	26.94	2.33	28.61	2.41	29.83	2.44	31.97	2.49	33.65	2.54	
	90	24.61	2.35	26.28	2.44	27.96	2.53	29.17	2.56	31.30	2.60	32.98	2.66	
	95	23.91	2.46	25.57	2.55	27.24	2.64	28.00	2.67	30.57	2.72	32.23	2.77	
	100	23.32	2.56	24.99	2.65	26.65	2.75	27.64	2.78	29.98	2.83	31.65	2.89	
	105	22.74	2.66	24.41	2.76	26.07	2.86	27.27	2.90	29.40	2.95	31.07	3.01	
	110	22.16	2.77	23.82	2.87	25.49	2.97	26.69	3.01	28.82	3.07	30.49	3.13	
	115	21.58	2.87	23.24	2.98	24.91	3.09	26.11	3.12	28.24	3.18	29.90	3.24	
	118	21.23	2.94	22.89	3.04	24.56	3.15	25.76	3.19	27.89	3.25	29.55	3.32	
	122	21.11	3.02	22.78	3.13	24.44	3.24	25.64	3.28	27.77	3.34	29.44	3.41	
	9 + 18 + 18	14	27.45	1.67	29.15	1.73	30.86	1.79	32.09	1.81	34.27	1.85	35.97	1.89
20		27.43	1.69	29.13	1.76	30.83	1.82	32.06	1.84	34.24	1.88	35.94	1.91	
25		27.41	1.72	29.11	1.78	30.81	1.85	32.04	1.87	34.21	1.90	35.92	1.94	
30		27.39	1.74	29.09	1.81	30.79	1.87	32.02	1.89	34.19	1.93	35.89	1.97	
35		27.36	1.77	29.06	1.83	30.76	1.90	31.99	1.92	34.16	1.96	35.86	1.99	
40		27.34	1.79	29.04	1.86	30.74	1.92	31.97	1.95	34.14	1.98	35.83	2.02	
45		27.32	1.81	29.02	1.88	30.72	1.95	31.94	1.97	34.11	2.01	35.81	2.05	
50		27.30	1.84	29.00	1.91	30.69	1.97	31.92	2.00	34.08	2.03	35.78	2.08	
55		27.28	1.86	28.98	1.93	30.67	2.00	31.89	2.02	34.06	2.06	35.75	2.10	
60		27.26	1.89	28.95	1.95	30.65	2.03	31.87	2.05	34.03	2.09	35.72	2.13	
65		27.24	1.91	28.93	1.98	30.62	2.05	31.84	2.08	34.01	2.11	35.70	2.16	
70		27.22	1.93	28.91	2.00	30.60	2.08	31.82	2.10	33.98	2.14	35.67	2.18	
75	26.56	2.04	28.25	2.11	29.94	2.19	31.15	2.22	33.31	2.26	34.99	2.30		
80	25.91	2.14	27.59	2.22	29.27	2.30	30.49	2.33	32.64	2.37	34.32	2.42		
85	25.26	2.25	26.94	2.33	28.61	2.41	29.83	2.44	31.97	2.49	33.65	2.54		
90	24.61	2.35	26.28	2.44	27.96	2.53	29.17	2.56	31.30	2.60	32.98	2.66		
95	23.91	2.46	25.57	2.55	27.24	2.64	28.00	2.67	30.57	2.72	32.23	2.77		
100	23.32	2.56	24.99	2.65	26.65	2.75	27.64	2.78	29.98	2.83	31.65	2.89		
105	22.74	2.66	24.41	2.76	26.07	2.86	27.27	2.90	29.40	2.95	31.07	3.01		
110	22.16	2.77	23.82	2.87	25.49	2.97	26.69	3.01	28.82	3.07	30.49	3.13		
115	21.58	2.87	23.24	2.98	24.91	3.09	26.11	3.12	28.24	3.18	29.90	3.24		
118	21.23	2.94	22.89	3.04	24.56	3.15	25.76	3.19	27.89	3.25	29.55	3.32		
122	21.11	3.02	22.78	3.13	24.44	3.24	25.64	3.28	27.77	3.34	29.44	3.41		

TC = Total Capacity (kBtu/h).

PI = Power Input (kW).

Nominal capacity as rated: 0 ft. above sea level with 25 ft. of refrigerant piping.
0 ft. level difference between outdoor and indoor units.

Nominal cooling capacity rating obtained with air entering the indoor unit at 80°F dry bulb (DB) and 67°F wet bulb (WB), and outdoor ambient conditions of 95°F dry bulb (DB) and 75°F wet bulb (WB).

The shaded table rows indicate reference data. When operating at this temperature, these values can be different if the system is not running consistently.



Table 128: LMU36CHV Cooling Capacity Table — Ducted Indoor Units (continued).

Connected Indoor Units	Combination Capacity Index	Outdoor Air Temp. (°F DB)	Indoor Air Temp. °F DB / °F WB											
			68 / 57		73 / 61		77 / 64		80 / 67		86 / 72		90 / 75	
			TC	PI	TC	PI	TC	PI	TC	PI	TC	PI	TC	PI
Three (3) Ducted Indoor Units	12 + 18 + 18	14	27.45	1.67	29.15	1.73	30.86	1.79	32.09	1.81	34.27	1.85	35.97	1.89
		20	27.43	1.69	29.13	1.76	30.83	1.82	32.06	1.84	34.24	1.88	35.94	1.91
		25	27.41	1.72	29.11	1.78	30.81	1.85	32.04	1.87	34.21	1.90	35.92	1.94
		30	27.39	1.74	29.09	1.81	30.79	1.87	32.02	1.89	34.19	1.93	35.89	1.97
		35	27.36	1.77	29.06	1.83	30.76	1.90	31.99	1.92	34.16	1.96	35.86	1.99
		40	27.34	1.79	29.04	1.86	30.74	1.92	31.97	1.95	34.14	1.98	35.83	2.02
		45	27.32	1.81	29.02	1.88	30.72	1.95	31.94	1.97	34.11	2.01	35.81	2.05
		50	27.30	1.84	29.00	1.91	30.69	1.97	31.92	2.00	34.08	2.03	35.78	2.08
		55	27.28	1.86	28.98	1.93	30.67	2.00	31.89	2.02	34.06	2.06	35.75	2.10
		60	27.26	1.89	28.95	1.95	30.65	2.03	31.87	2.05	34.03	2.09	35.72	2.13
		65	27.24	1.91	28.93	1.98	30.62	2.05	31.84	2.08	34.01	2.11	35.70	2.16
		70	27.22	1.93	28.91	2.00	30.60	2.08	31.82	2.10	33.98	2.14	35.67	2.18
		75	26.56	2.04	28.25	2.11	29.94	2.19	31.15	2.22	33.31	2.26	34.99	2.30
		80	25.91	2.14	27.59	2.22	29.27	2.30	30.49	2.33	32.64	2.37	34.32	2.42
		85	25.26	2.25	26.94	2.33	28.61	2.41	29.83	2.44	31.97	2.49	33.65	2.54
		90	24.61	2.35	26.28	2.44	27.96	2.53	29.17	2.56	31.30	2.60	32.98	2.66
		95	23.91	2.46	25.57	2.55	27.24	2.64	28.00	2.67	30.57	2.72	32.23	2.77
		100	23.32	2.56	24.99	2.65	26.65	2.75	27.64	2.78	29.98	2.83	31.65	2.89
		105	22.74	2.66	24.41	2.76	26.07	2.86	27.27	2.90	29.40	2.95	31.07	3.01
		110	22.16	2.77	23.82	2.87	25.49	2.97	26.69	3.01	28.82	3.07	30.49	3.13
115	21.58	2.87	23.24	2.98	24.91	3.09	26.11	3.12	28.24	3.18	29.90	3.24		
118	21.23	2.94	22.89	3.04	24.56	3.15	25.76	3.19	27.89	3.25	29.55	3.32		
122	21.11	3.02	22.78	3.13	24.44	3.24	25.64	3.28	27.77	3.34	29.44	3.41		
Four (4) Ducted Indoor Units	9 + 9 + 9 + 9	14	27.45	1.59	29.15	1.65	30.86	1.71	32.09	1.73	34.27	1.76	35.97	1.80
		20	27.43	1.62	29.13	1.67	30.83	1.74	32.06	1.76	34.24	1.79	35.94	1.82
		25	27.41	1.64	29.11	1.70	30.81	1.76	32.04	1.78	34.21	1.81	35.92	1.85
		30	27.39	1.66	29.09	1.72	30.79	1.79	32.02	1.81	34.19	1.84	35.89	1.88
		35	27.36	1.68	29.06	1.75	30.76	1.81	31.99	1.83	34.16	1.86	35.86	1.90
		40	27.34	1.71	29.04	1.77	30.74	1.83	31.97	1.86	34.14	1.89	35.83	1.93
		45	27.32	1.73	29.02	1.79	30.72	1.86	31.94	1.88	34.11	1.92	35.81	1.95
		50	27.30	1.75	29.00	1.82	30.69	1.88	31.92	1.91	34.08	1.94	35.78	1.98
		55	27.28	1.78	28.98	1.84	30.67	1.91	31.89	1.93	34.06	1.97	35.75	2.01
		60	27.26	1.80	28.95	1.86	30.65	1.93	31.87	1.95	34.03	1.99	35.72	2.03
		65	27.24	1.82	28.93	1.89	30.62	1.96	31.84	1.98	34.01	2.02	35.70	2.06
		70	27.22	1.84	28.91	1.91	30.60	1.98	31.82	2.00	33.98	2.04	35.67	2.08
		75	26.56	1.94	28.25	2.02	29.94	2.09	31.15	2.11	33.31	2.15	34.99	2.20
		80	25.91	2.04	27.59	2.12	29.27	2.20	30.49	2.22	32.64	2.26	34.32	2.31
		85	25.26	2.14	26.94	2.22	28.61	2.30	29.83	2.33	31.97	2.37	33.65	2.42
		90	24.61	2.24	26.28	2.32	27.96	2.41	29.17	2.44	31.30	2.48	32.98	2.53
		95	23.91	2.34	25.57	2.43	27.24	2.52	28.00	2.55	30.57	2.59	32.23	2.65
		100	23.32	2.44	24.99	2.53	26.65	2.62	27.64	2.65	29.98	2.70	31.65	2.76
		105	22.74	2.54	24.41	2.63	26.07	2.73	27.27	2.76	29.40	2.81	31.07	2.87
		110	22.16	2.64	23.82	2.74	25.49	2.84	26.69	2.87	28.82	2.92	30.49	2.98
115	21.58	2.74	23.24	2.84	24.91	2.94	26.11	2.98	28.24	3.03	29.90	3.09		
118	21.23	2.80	22.89	2.90	24.56	3.01	25.76	3.04	27.89	3.10	29.55	3.16		
122	21.11	2.88	22.78	2.98	24.44	3.09	25.64	3.13	27.77	3.19	29.44	3.25		

TC = Total Capacity (kBtu/h).

PI = Power Input (kW).

Nominal capacity as rated: 0 ft. above sea level with 25 ft. of refrigerant piping.
0 ft. level difference between outdoor and indoor units.

Nominal cooling capacity rating obtained with air entering the indoor unit at 80°F dry bulb (DB) and 67°F wet bulb (WB), and outdoor ambient conditions of 95°F dry bulb (DB) and 75°F wet bulb (WB).

The shaded table rows indicate reference data. When operating at this temperature, these values can be different if the system is not running consistently.

PERFORMANCE DATA

Cooling Capacity Tables

MULTI F
MULTI F MAX

Table 129: LMU36CHV Cooling Capacity Table — Ducted Indoor Units (continued).

Connected Indoor Units	Combination Capacity Index	Outdoor Air Temp. (°F DB)	Indoor Air Temp. °F DB / °F WB											
			68 / 57		73 / 61		77 / 64		80 / 67		86 / 72		90 / 75	
			TC	PI	TC	PI	TC	PI	TC	PI	TC	PI	TC	PI
Four (4) Ducted Indoor Units	9 + 9 + 9 + 12	14	27.45	1.59	29.15	1.65	30.86	1.71	32.09	1.73	34.27	1.76	35.97	1.80
		20	27.43	1.62	29.13	1.67	30.83	1.74	32.06	1.76	34.24	1.79	35.94	1.82
		25	27.41	1.64	29.11	1.70	30.81	1.76	32.04	1.78	34.21	1.81	35.92	1.85
		30	27.39	1.66	29.09	1.72	30.79	1.79	32.02	1.81	34.19	1.84	35.89	1.88
		35	27.36	1.68	29.06	1.75	30.76	1.81	31.99	1.83	34.16	1.86	35.86	1.90
		40	27.34	1.71	29.04	1.77	30.74	1.83	31.97	1.86	34.14	1.89	35.83	1.93
		45	27.32	1.73	29.02	1.79	30.72	1.86	31.94	1.88	34.11	1.92	35.81	1.95
		50	27.30	1.75	29.00	1.82	30.69	1.88	31.92	1.91	34.08	1.94	35.78	1.98
		55	27.28	1.78	28.98	1.84	30.67	1.91	31.89	1.93	34.06	1.97	35.75	2.01
		60	27.26	1.80	28.95	1.86	30.65	1.93	31.87	1.95	34.03	1.99	35.72	2.03
		65	27.24	1.82	28.93	1.89	30.62	1.96	31.84	1.98	34.01	2.02	35.70	2.06
		70	27.22	1.84	28.91	1.91	30.60	1.98	31.82	2.00	33.98	2.04	35.67	2.08
		75	26.56	1.94	28.25	2.02	29.94	2.09	31.15	2.11	33.31	2.15	34.99	2.20
		80	25.91	2.04	27.59	2.12	29.27	2.20	30.49	2.22	32.64	2.26	34.32	2.31
		85	25.26	2.14	26.94	2.22	28.61	2.30	29.83	2.33	31.97	2.37	33.65	2.42
		90	24.61	2.24	26.28	2.32	27.96	2.41	29.17	2.44	31.30	2.48	32.98	2.53
		95	23.91	2.34	25.57	2.43	27.24	2.52	28.00	2.55	30.57	2.59	32.23	2.65
		100	23.32	2.44	24.99	2.53	26.65	2.62	27.64	2.65	29.98	2.70	31.65	2.76
		105	22.74	2.54	24.41	2.63	26.07	2.73	27.27	2.76	29.40	2.81	31.07	2.87
		110	22.16	2.64	23.82	2.74	25.49	2.84	26.69	2.87	28.82	2.92	30.49	2.98
		115	21.58	2.74	23.24	2.84	24.91	2.94	26.11	2.98	28.24	3.03	29.90	3.09
	118	21.23	2.80	22.89	2.90	24.56	3.01	25.76	3.04	27.89	3.10	29.55	3.16	
	122	21.11	2.88	22.78	2.98	24.44	3.09	25.64	3.13	27.77	3.19	29.44	3.25	
	9 + 9 + 12 + 12	14	27.45	1.59	29.15	1.65	30.86	1.71	32.09	1.73	34.27	1.76	35.97	1.80
		20	27.43	1.62	29.13	1.67	30.83	1.74	32.06	1.76	34.24	1.79	35.94	1.82
		25	27.41	1.64	29.11	1.70	30.81	1.76	32.04	1.78	34.21	1.81	35.92	1.85
		30	27.39	1.66	29.09	1.72	30.79	1.79	32.02	1.81	34.19	1.84	35.89	1.88
		35	27.36	1.68	29.06	1.75	30.76	1.81	31.99	1.83	34.16	1.86	35.86	1.90
		40	27.34	1.71	29.04	1.77	30.74	1.83	31.97	1.86	34.14	1.89	35.83	1.93
		45	27.32	1.73	29.02	1.79	30.72	1.86	31.94	1.88	34.11	1.92	35.81	1.95
		50	27.30	1.75	29.00	1.82	30.69	1.88	31.92	1.91	34.08	1.94	35.78	1.98
		55	27.28	1.78	28.98	1.84	30.67	1.91	31.89	1.93	34.06	1.97	35.75	2.01
		60	27.26	1.80	28.95	1.86	30.65	1.93	31.87	1.95	34.03	1.99	35.72	2.03
		65	27.24	1.82	28.93	1.89	30.62	1.96	31.84	1.98	34.01	2.02	35.70	2.06
		70	27.22	1.84	28.91	1.91	30.60	1.98	31.82	2.00	33.98	2.04	35.67	2.08
		75	26.56	1.94	28.25	2.02	29.94	2.09	31.15	2.11	33.31	2.15	34.99	2.20
		80	25.91	2.04	27.59	2.12	29.27	2.20	30.49	2.22	32.64	2.26	34.32	2.31
		85	25.26	2.14	26.94	2.22	28.61	2.30	29.83	2.33	31.97	2.37	33.65	2.42
		90	24.61	2.24	26.28	2.32	27.96	2.41	29.17	2.44	31.30	2.48	32.98	2.53
		95	23.91	2.34	25.57	2.43	27.24	2.52	28.00	2.55	30.57	2.59	32.23	2.65
		100	23.32	2.44	24.99	2.53	26.65	2.62	27.64	2.65	29.98	2.70	31.65	2.76
		105	22.74	2.54	24.41	2.63	26.07	2.73	27.27	2.76	29.40	2.81	31.07	2.87
110		22.16	2.64	23.82	2.74	25.49	2.84	26.69	2.87	28.82	2.92	30.49	2.98	
115		21.58	2.74	23.24	2.84	24.91	2.94	26.11	2.98	28.24	3.03	29.90	3.09	
118	21.23	2.80	22.89	2.90	24.56	3.01	25.76	3.04	27.89	3.10	29.55	3.16		
122	21.11	2.88	22.78	2.98	24.44	3.09	25.64	3.13	27.77	3.19	29.44	3.25		

TC = Total Capacity (kBtu/h).

PI = Power Input (kW).

Nominal capacity as rated: 0 ft. above sea level with 25 ft. of refrigerant piping.
0 ft. level difference between outdoor and indoor units.

Nominal cooling capacity rating obtained with air entering the indoor unit at 80°F dry bulb (DB) and 67°F wet bulb (WB), and outdoor ambient conditions of 95°F dry bulb (DB) and 75°F wet bulb (WB).

The shaded table rows indicate reference data. When operating at this temperature, these values can be different if the system is not running consistently.



Table 130: LMU36CHV Cooling Capacity Table — Ducted Indoor Units (continued).

Connected Indoor Units	Combination Capacity Index	Outdoor Air Temp. (°F DB)	Indoor Air Temp. °F DB / °F WB											
			68 / 57		73 / 61		77 / 64		80 / 67		86 / 72		90 / 75	
			TC	PI	TC	PI	TC	PI	TC	PI	TC	PI	TC	PI
Four (4) Ducted Indoor Units	9 + 9 + 9 + 18	14	27.45	1.59	29.15	1.65	30.86	1.71	32.09	1.73	34.27	1.76	35.97	1.80
		20	27.43	1.62	29.13	1.67	30.83	1.74	32.06	1.76	34.24	1.79	35.94	1.82
		25	27.41	1.64	29.11	1.70	30.81	1.76	32.04	1.78	34.21	1.81	35.92	1.85
		30	27.39	1.66	29.09	1.72	30.79	1.79	32.02	1.81	34.19	1.84	35.89	1.88
		35	27.36	1.68	29.06	1.75	30.76	1.81	31.99	1.83	34.16	1.86	35.86	1.90
		40	27.34	1.71	29.04	1.77	30.74	1.83	31.97	1.86	34.14	1.89	35.83	1.93
		45	27.32	1.73	29.02	1.79	30.72	1.86	31.94	1.88	34.11	1.92	35.81	1.95
		50	27.30	1.75	29.00	1.82	30.69	1.88	31.92	1.91	34.08	1.94	35.78	1.98
		55	27.28	1.78	28.98	1.84	30.67	1.91	31.89	1.93	34.06	1.97	35.75	2.01
		60	27.26	1.80	28.95	1.86	30.65	1.93	31.87	1.95	34.03	1.99	35.72	2.03
		65	27.24	1.82	28.93	1.89	30.62	1.96	31.84	1.98	34.01	2.02	35.70	2.06
		70	27.22	1.84	28.91	1.91	30.60	1.98	31.82	2.00	33.98	2.04	35.67	2.08
		75	26.56	1.94	28.25	2.02	29.94	2.09	31.15	2.11	33.31	2.15	34.99	2.20
		80	25.91	2.04	27.59	2.12	29.27	2.20	30.49	2.22	32.64	2.26	34.32	2.31
		85	25.26	2.14	26.94	2.22	28.61	2.30	29.83	2.33	31.97	2.37	33.65	2.42
		90	24.61	2.24	26.28	2.32	27.96	2.41	29.17	2.44	31.30	2.48	32.98	2.53
		95	23.91	2.34	25.57	2.43	27.24	2.52	28.00	2.55	30.57	2.59	32.23	2.65
		100	23.32	2.44	24.99	2.53	26.65	2.62	27.64	2.65	29.98	2.70	31.65	2.76
		105	22.74	2.54	24.41	2.63	26.07	2.73	27.27	2.76	29.40	2.81	31.07	2.87
		110	22.16	2.64	23.82	2.74	25.49	2.84	26.69	2.87	28.82	2.92	30.49	2.98
		115	21.58	2.74	23.24	2.84	24.91	2.94	26.11	2.98	28.24	3.03	29.90	3.09
	118	21.23	2.80	22.89	2.90	24.56	3.01	25.76	3.04	27.89	3.10	29.55	3.16	
	122	21.11	2.88	22.78	2.98	24.44	3.09	25.64	3.13	27.77	3.19	29.44	3.25	
	9 + 12 + 12 + 12	14	27.45	1.59	29.15	1.65	30.86	1.71	32.09	1.73	34.27	1.76	35.97	1.80
		20	27.43	1.62	29.13	1.67	30.83	1.74	32.06	1.76	34.24	1.79	35.94	1.82
		25	27.41	1.64	29.11	1.70	30.81	1.76	32.04	1.78	34.21	1.81	35.92	1.85
		30	27.39	1.66	29.09	1.72	30.79	1.79	32.02	1.81	34.19	1.84	35.89	1.88
		35	27.36	1.68	29.06	1.75	30.76	1.81	31.99	1.83	34.16	1.86	35.86	1.90
		40	27.34	1.71	29.04	1.77	30.74	1.83	31.97	1.86	34.14	1.89	35.83	1.93
		45	27.32	1.73	29.02	1.79	30.72	1.86	31.94	1.88	34.11	1.92	35.81	1.95
		50	27.30	1.75	29.00	1.82	30.69	1.88	31.92	1.91	34.08	1.94	35.78	1.98
		55	27.28	1.78	28.98	1.84	30.67	1.91	31.89	1.93	34.06	1.97	35.75	2.01
		60	27.26	1.80	28.95	1.86	30.65	1.93	31.87	1.95	34.03	1.99	35.72	2.03
		65	27.24	1.82	28.93	1.89	30.62	1.96	31.84	1.98	34.01	2.02	35.70	2.06
		70	27.22	1.84	28.91	1.91	30.60	1.98	31.82	2.00	33.98	2.04	35.67	2.08
		75	26.56	1.94	28.25	2.02	29.94	2.09	31.15	2.11	33.31	2.15	34.99	2.20
		80	25.91	2.04	27.59	2.12	29.27	2.20	30.49	2.22	32.64	2.26	34.32	2.31
		85	25.26	2.14	26.94	2.22	28.61	2.30	29.83	2.33	31.97	2.37	33.65	2.42
		90	24.61	2.24	26.28	2.32	27.96	2.41	29.17	2.44	31.30	2.48	32.98	2.53
		95	23.91	2.34	25.57	2.43	27.24	2.52	28.00	2.55	30.57	2.59	32.23	2.65
		100	23.32	2.44	24.99	2.53	26.65	2.62	27.64	2.65	29.98	2.70	31.65	2.76
		105	22.74	2.54	24.41	2.63	26.07	2.73	27.27	2.76	29.40	2.81	31.07	2.87
110		22.16	2.64	23.82	2.74	25.49	2.84	26.69	2.87	28.82	2.92	30.49	2.98	
115		21.58	2.74	23.24	2.84	24.91	2.94	26.11	2.98	28.24	3.03	29.90	3.09	
118	21.23	2.80	22.89	2.90	24.56	3.01	25.76	3.04	27.89	3.10	29.55	3.16		
122	21.11	2.88	22.78	2.98	24.44	3.09	25.64	3.13	27.77	3.19	29.44	3.25		

TC = Total Capacity (kBtu/h).

PI = Power Input (kW).

Nominal capacity as rated: 0 ft. above sea level with 25 ft. of refrigerant piping.
0 ft. level difference between outdoor and indoor units.

Nominal cooling capacity rating obtained with air entering the indoor unit at 80°F dry bulb (DB) and 67°F wet bulb (WB), and outdoor ambient conditions of 95°F dry bulb (DB) and 75°F wet bulb (WB).

The shaded table rows indicate reference data. When operating at this temperature, these values can be different if the system is not running consistently.

PERFORMANCE DATA

Cooling Capacity Tables

MULTI F
MULTI F MAX

Table 131: LMU36CHV Cooling Capacity Table — Ducted Indoor Units (continued).

Connected Indoor Units	Combination Capacity Index	Outdoor Air Temp. (°F DB)	Indoor Air Temp. °F DB / °F WB											
			68 / 57		73 / 61		77 / 64		80 / 67		86 / 72		90 / 75	
			TC	PI	TC	PI	TC	PI	TC	PI	TC	PI	TC	PI
Four (4) Ducted Indoor Units	9 + 9 + 12 + 18	14	27.45	1.59	29.15	1.65	30.86	1.71	32.09	1.73	34.27	1.76	35.97	1.80
		20	27.43	1.62	29.13	1.67	30.83	1.74	32.06	1.76	34.24	1.79	35.94	1.82
		25	27.41	1.64	29.11	1.70	30.81	1.76	32.04	1.78	34.21	1.81	35.92	1.85
		30	27.39	1.66	29.09	1.72	30.79	1.79	32.02	1.81	34.19	1.84	35.89	1.88
		35	27.36	1.68	29.06	1.75	30.76	1.81	31.99	1.83	34.16	1.86	35.86	1.90
		40	27.34	1.71	29.04	1.77	30.74	1.83	31.97	1.86	34.14	1.89	35.83	1.93
		45	27.32	1.73	29.02	1.79	30.72	1.86	31.94	1.88	34.11	1.92	35.81	1.95
		50	27.30	1.75	29.00	1.82	30.69	1.88	31.92	1.91	34.08	1.94	35.78	1.98
		55	27.28	1.78	28.98	1.84	30.67	1.91	31.89	1.93	34.06	1.97	35.75	2.01
		60	27.26	1.80	28.95	1.86	30.65	1.93	31.87	1.95	34.03	1.99	35.72	2.03
		65	27.24	1.82	28.93	1.89	30.62	1.96	31.84	1.98	34.01	2.02	35.70	2.06
		70	27.22	1.84	28.91	1.91	30.60	1.98	31.82	2.00	33.98	2.04	35.67	2.08
		75	26.56	1.94	28.25	2.02	29.94	2.09	31.15	2.11	33.31	2.15	34.99	2.20
		80	25.91	2.04	27.59	2.12	29.27	2.20	30.49	2.22	32.64	2.26	34.32	2.31
		85	25.26	2.14	26.94	2.22	28.61	2.30	29.83	2.33	31.97	2.37	33.65	2.42
		90	24.61	2.24	26.28	2.32	27.96	2.41	29.17	2.44	31.30	2.48	32.98	2.53
		95	23.91	2.34	25.57	2.43	27.24	2.52	28.00	2.55	30.57	2.59	32.23	2.65
		100	23.32	2.44	24.99	2.53	26.65	2.62	27.64	2.65	29.98	2.70	31.65	2.76
	105	22.74	2.54	24.41	2.63	26.07	2.73	27.27	2.76	29.40	2.81	31.07	2.87	
	110	22.16	2.64	23.82	2.74	25.49	2.84	26.69	2.87	28.82	2.92	30.49	2.98	
	115	21.58	2.74	23.24	2.84	24.91	2.94	26.11	2.98	28.24	3.03	29.90	3.09	
	118	21.23	2.80	22.89	2.90	24.56	3.01	25.76	3.04	27.89	3.10	29.55	3.16	
	122	21.11	2.88	22.78	2.98	24.44	3.09	25.64	3.13	27.77	3.19	29.44	3.25	
	12 + 12 + 12 + 12	14	27.45	1.59	29.15	1.65	30.86	1.71	32.09	1.73	34.27	1.76	35.97	1.80
		20	27.43	1.62	29.13	1.67	30.83	1.74	32.06	1.76	34.24	1.79	35.94	1.82
		25	27.41	1.64	29.11	1.70	30.81	1.76	32.04	1.78	34.21	1.81	35.92	1.85
		30	27.39	1.66	29.09	1.72	30.79	1.79	32.02	1.81	34.19	1.84	35.89	1.88
		35	27.36	1.68	29.06	1.75	30.76	1.81	31.99	1.83	34.16	1.86	35.86	1.90
		40	27.34	1.71	29.04	1.77	30.74	1.83	31.97	1.86	34.14	1.89	35.83	1.93
		45	27.32	1.73	29.02	1.79	30.72	1.86	31.94	1.88	34.11	1.92	35.81	1.95
		50	27.30	1.75	29.00	1.82	30.69	1.88	31.92	1.91	34.08	1.94	35.78	1.98
		55	27.28	1.78	28.98	1.84	30.67	1.91	31.89	1.93	34.06	1.97	35.75	2.01
		60	27.26	1.80	28.95	1.86	30.65	1.93	31.87	1.95	34.03	1.99	35.72	2.03
		65	27.24	1.82	28.93	1.89	30.62	1.96	31.84	1.98	34.01	2.02	35.70	2.06
		70	27.22	1.84	28.91	1.91	30.60	1.98	31.82	2.00	33.98	2.04	35.67	2.08
		75	26.56	1.94	28.25	2.02	29.94	2.09	31.15	2.11	33.31	2.15	34.99	2.20
		80	25.91	2.04	27.59	2.12	29.27	2.20	30.49	2.22	32.64	2.26	34.32	2.31
	85	25.26	2.14	26.94	2.22	28.61	2.30	29.83	2.33	31.97	2.37	33.65	2.42	
	90	24.61	2.24	26.28	2.32	27.96	2.41	29.17	2.44	31.30	2.48	32.98	2.53	
	95	23.91	2.34	25.57	2.43	27.24	2.52	28.00	2.55	30.57	2.59	32.23	2.65	
	100	23.32	2.44	24.99	2.53	26.65	2.62	27.64	2.65	29.98	2.70	31.65	2.76	
	105	22.74	2.54	24.41	2.63	26.07	2.73	27.27	2.76	29.40	2.81	31.07	2.87	
110	22.16	2.64	23.82	2.74	25.49	2.84	26.69	2.87	28.82	2.92	30.49	2.98		
115	21.58	2.74	23.24	2.84	24.91	2.94	26.11	2.98	28.24	3.03	29.90	3.09		
118	21.23	2.80	22.89	2.90	24.56	3.01	25.76	3.04	27.89	3.10	29.55	3.16		
122	21.11	2.88	22.78	2.98	24.44	3.09	25.64	3.13	27.77	3.19	29.44	3.25		

TC = Total Capacity (kBtu/h).

PI = Power Input (kW).

Nominal capacity as rated: 0 ft. above sea level with 25 ft. of refrigerant piping.
0 ft. level difference between outdoor and indoor units.

Nominal cooling capacity rating obtained with air entering the indoor unit at 80°F dry bulb (DB) and 67°F wet bulb (WB), and outdoor ambient conditions of 95°F dry bulb (DB) and 75°F wet bulb (WB).

The shaded table rows indicate reference data. When operating at this temperature, these values can be different if the system is not running consistently.



Multi F and Multi F MAX Heat Pump System Engineering Manual

Table 132: LMU36CHV Cooling Capacity Table — Mixed Indoor Units

Connected Indoor Units	Combination Capacity Index	Outdoor Air Temp. (°F DB)	Indoor Air Temp. °F DB / °F WB											
			68 / 57		73 / 61		77 / 64		80 / 67		86 / 72		90 / 75	
			TC	PI	TC	PI	TC	PI	TC	PI	TC	PI	TC	PI
Two (2) Mixed Indoor Units	7 + 9	14	14.70	0.97	15.62	1.01	16.53	1.05	17.19	1.06	18.36	1.08	19.27	1.10
		20	14.69	0.99	15.61	1.02	16.52	1.06	17.18	1.07	18.34	1.09	19.26	1.12
		25	14.68	1.00	15.59	1.04	16.51	1.08	17.16	1.09	18.33	1.11	19.24	1.13
		30	14.67	1.02	15.58	1.05	16.49	1.09	17.15	1.10	18.32	1.12	19.23	1.15
		35	14.66	1.03	15.57	1.07	16.48	1.11	17.14	1.12	18.30	1.14	19.21	1.16
		40	14.65	1.04	15.56	1.08	16.47	1.12	17.12	1.13	18.29	1.16	19.20	1.18
		45	14.64	1.06	15.55	1.10	16.46	1.14	17.11	1.15	18.27	1.17	19.18	1.19
		50	14.63	1.07	15.53	1.11	16.44	1.15	17.10	1.16	18.26	1.19	19.17	1.21
		55	14.61	1.09	15.52	1.13	16.43	1.17	17.09	1.18	18.25	1.20	19.15	1.23
		60	14.60	1.10	15.51	1.14	16.42	1.18	17.07	1.20	18.23	1.22	19.14	1.24
		65	14.59	1.11	15.50	1.15	16.40	1.20	17.06	1.21	18.22	1.23	19.12	1.26
		70	14.58	1.13	15.49	1.17	16.39	1.21	17.05	1.23	18.20	1.25	19.11	1.27
		75	14.23	1.19	15.13	1.23	16.04	1.28	16.69	1.29	17.84	1.32	18.75	1.34
		80	13.88	1.25	14.78	1.30	15.68	1.34	16.33	1.36	17.48	1.38	18.38	1.41
		85	13.53	1.31	14.43	1.36	15.33	1.41	15.98	1.42	17.13	1.45	18.03	1.48
		90	13.18	1.37	14.08	1.42	14.98	1.47	15.62	1.49	16.77	1.52	17.67	1.55
		95	12.81	1.43	13.70	1.48	14.59	1.54	15.00	1.56	16.38	1.59	17.27	1.62
		100	12.49	1.49	13.39	1.55	14.28	1.60	14.81	1.62	16.06	1.65	16.96	1.69
	105	12.18	1.55	13.07	1.61	13.97	1.67	14.61	1.69	15.75	1.72	16.64	1.75	
	110	11.87	1.61	12.76	1.67	13.66	1.73	14.30	1.75	15.44	1.79	16.33	1.82	
	115	11.56	1.68	12.45	1.74	13.34	1.80	13.99	1.82	15.13	1.85	16.02	1.89	
	118	11.37	1.71	12.26	1.77	13.16	1.84	13.80	1.86	14.94	1.90	15.83	1.93	
	122	11.31	1.76	12.20	1.82	13.09	1.89	13.74	1.91	14.88	1.95	15.77	1.99	
	9 + 9	14	16.54	1.09	17.57	1.13	18.60	1.18	19.34	1.19	20.65	1.21	21.68	1.24
		20	16.53	1.11	17.56	1.15	18.58	1.19	19.32	1.21	20.64	1.23	21.66	1.25
		25	16.52	1.13	17.54	1.17	18.57	1.21	19.31	1.22	20.62	1.25	21.65	1.27
		30	16.50	1.14	17.53	1.18	18.55	1.23	19.29	1.24	20.60	1.26	21.63	1.29
		35	16.49	1.16	17.52	1.20	18.54	1.24	19.28	1.26	20.59	1.28	21.61	1.31
		40	16.48	1.17	17.50	1.22	18.53	1.26	19.27	1.28	20.57	1.30	21.60	1.33
		45	16.47	1.19	17.49	1.23	18.51	1.28	19.25	1.29	20.56	1.32	21.58	1.34
		50	16.45	1.20	17.48	1.25	18.50	1.29	19.24	1.31	20.54	1.33	21.56	1.36
		55	16.44	1.22	17.46	1.27	18.48	1.31	19.22	1.33	20.53	1.35	21.55	1.38
		60	16.43	1.24	17.45	1.28	18.47	1.33	19.21	1.34	20.51	1.37	21.53	1.40
		65	16.42	1.25	17.44	1.30	18.46	1.35	19.19	1.36	20.49	1.39	21.51	1.41
		70	16.40	1.27	17.42	1.31	18.44	1.36	19.18	1.38	20.48	1.40	21.50	1.43
		75	16.01	1.34	17.03	1.39	18.04	1.44	18.78	1.45	20.07	1.48	21.09	1.51
80		15.61	1.40	16.63	1.46	17.64	1.51	18.37	1.53	19.67	1.56	20.68	1.59	
85		15.22	1.47	16.23	1.53	17.25	1.58	17.98	1.60	19.27	1.63	20.28	1.66	
90		14.83	1.54	15.84	1.60	16.85	1.66	17.58	1.68	18.87	1.71	19.88	1.74	
95		14.41	1.61	15.41	1.67	16.41	1.73	16.88	1.75	18.42	1.78	19.43	1.82	
100		14.06	1.68	15.06	1.74	16.06	1.80	16.66	1.82	18.07	1.86	19.07	1.90	
105	13.71	1.75	14.71	1.81	15.71	1.88	16.44	1.90	17.72	1.93	18.72	1.97		
110	13.35	1.82	14.36	1.88	15.36	1.95	16.09	1.97	17.37	2.01	18.37	2.05		
115	13.00	1.88	14.01	1.95	15.01	2.02	15.74	2.05	17.02	2.09	18.02	2.13		
118	12.79	1.92	13.80	1.99	14.80	2.07	15.53	2.09	16.81	2.13	17.81	2.17		
122	12.72	1.98	13.73	2.05	14.73	2.13	15.46	2.15	16.74	2.19	17.74	2.24		

TC = Total Capacity (kBtu/h).

PI = Power Input (kW).

Nominal capacity as rated: 0 ft. above sea level with 25 ft. of refrigerant piping.
0 ft. level difference between outdoor and indoor units.

Nominal cooling capacity rating obtained with air entering the indoor unit at 80°F dry bulb (DB) and 67°F wet bulb (WB), and outdoor ambient conditions of 95°F dry bulb (DB) and 75°F wet bulb (WB).

The shaded table rows indicate reference data. When operating at this temperature, these values can be different if the system is not running consistently.

PERFORMANCE DATA

Cooling Capacity Tables

MULTI F
MULTI F MAX

Table 133: LMU36CHV Cooling Capacity Table — Mixed Indoor Units

Connected Indoor Units	Combination Capacity Index	Outdoor Air Temp. (°F DB)	Indoor Air Temp. °F DB / °F WB											
			68 / 57		73 / 61		77 / 64		80 / 67		86 / 72		90 / 75	
			TC	PI	TC	PI	TC	PI	TC	PI	TC	PI	TC	PI
Two (2) Mixed Indoor Units	7 + 12	14	17.46	1.15	18.55	1.19	19.63	1.23	20.41	1.25	21.80	1.27	22.88	1.29
		20	17.45	1.16	18.53	1.20	19.62	1.25	20.40	1.26	21.78	1.29	22.87	1.31
		25	17.43	1.18	18.52	1.22	19.60	1.27	20.38	1.28	21.77	1.30	22.85	1.33
		30	17.42	1.20	18.50	1.24	19.59	1.28	20.37	1.30	21.75	1.32	22.83	1.35
		35	17.41	1.21	18.49	1.26	19.57	1.30	20.35	1.32	21.73	1.34	22.81	1.37
		40	17.39	1.23	18.48	1.27	19.56	1.32	20.34	1.33	21.72	1.36	22.80	1.39
		45	17.38	1.24	18.46	1.29	19.54	1.34	20.32	1.35	21.70	1.38	22.78	1.41
		50	17.37	1.26	18.45	1.31	19.53	1.35	20.30	1.37	21.68	1.40	22.76	1.42
		55	17.35	1.28	18.43	1.32	19.51	1.37	20.29	1.39	21.67	1.41	22.74	1.44
		60	17.34	1.29	18.42	1.34	19.50	1.39	20.27	1.41	21.65	1.43	22.73	1.46
		65	17.33	1.31	18.40	1.36	19.48	1.41	20.26	1.42	21.63	1.45	22.71	1.48
		70	17.32	1.33	18.39	1.38	19.47	1.43	20.24	1.44	21.62	1.47	22.69	1.50
		75	16.90	1.40	17.97	1.45	19.04	1.50	19.82	1.52	21.19	1.55	22.26	1.58
		80	16.48	1.47	17.55	1.52	18.62	1.58	19.39	1.60	20.76	1.63	21.83	1.66
		85	16.07	1.54	17.14	1.60	18.20	1.66	18.97	1.68	20.34	1.71	21.41	1.74
		90	15.66	1.61	16.72	1.67	17.79	1.73	18.55	1.75	19.91	1.79	20.98	1.82
		95	15.21	1.68	16.27	1.75	17.33	1.81	17.81	1.83	19.45	1.87	20.50	1.90
		100	14.84	1.76	15.90	1.82	16.96	1.89	17.58	1.91	19.08	1.94	20.13	1.98
	105	14.47	1.83	15.53	1.89	16.59	1.96	17.35	1.99	18.70	2.02	19.76	2.06	
	110	14.10	1.90	15.16	1.97	16.22	2.04	16.98	2.06	18.33	2.10	19.39	2.15	
	115	13.73	1.97	14.79	2.04	15.85	2.12	16.61	2.14	17.96	2.18	19.02	2.23	
	118	13.50	2.01	14.56	2.09	15.62	2.16	16.39	2.19	17.74	2.23	18.80	2.27	
	122	13.43	2.07	14.49	2.15	15.55	2.23	16.31	2.25	17.67	2.29	18.73	2.34	
	14	19.30	1.25	20.50	1.30	21.70	1.35	22.56	1.36	24.09	1.39	25.29	1.42	
	20	19.28	1.27	20.48	1.32	21.68	1.37	22.55	1.38	24.08	1.41	25.27	1.44	
	25	19.27	1.29	20.47	1.34	21.66	1.39	22.53	1.40	24.06	1.43	25.25	1.46	
	30	19.26	1.31	20.45	1.36	21.65	1.41	22.51	1.42	24.04	1.45	25.23	1.48	
	35	19.24	1.33	20.44	1.37	21.63	1.42	22.49	1.44	24.02	1.47	25.22	1.50	
	40	19.23	1.34	20.42	1.39	21.61	1.44	22.48	1.46	24.00	1.49	25.20	1.52	
	45	19.21	1.36	20.40	1.41	21.60	1.46	22.46	1.48	23.98	1.51	25.18	1.54	
	50	19.20	1.38	20.39	1.43	21.58	1.48	22.44	1.50	23.97	1.53	25.16	1.56	
	55	19.18	1.40	20.37	1.45	21.56	1.50	22.42	1.52	23.95	1.55	25.14	1.58	
	60	19.17	1.42	20.36	1.47	21.55	1.52	22.41	1.54	23.93	1.57	25.12	1.60	
	65	19.15	1.43	20.34	1.49	21.53	1.54	22.39	1.56	23.91	1.59	25.10	1.62	
	70	19.14	1.45	20.33	1.51	21.51	1.56	22.37	1.58	23.89	1.61	25.08	1.64	
	75	18.68	1.53	19.86	1.59	21.05	1.64	21.90	1.66	23.42	1.69	24.61	1.73	
	80	18.22	1.61	19.40	1.67	20.58	1.73	21.44	1.75	22.95	1.78	24.13	1.82	
	85	17.76	1.69	18.94	1.75	20.12	1.81	20.97	1.83	22.48	1.87	23.66	1.91	
	90	17.30	1.77	18.48	1.83	19.66	1.90	20.51	1.92	22.01	1.95	23.19	1.99	
	95	16.81	1.84	17.98	1.91	19.15	1.98	19.69	2.00	21.49	2.04	22.66	2.08	
	100	16.40	1.92	17.57	1.99	18.74	2.07	19.43	2.09	21.08	2.13	22.25	2.17	
	105	15.99	2.00	17.16	2.07	18.33	2.15	19.18	2.17	20.67	2.21	21.84	2.26	
110	15.58	2.08	16.75	2.15	17.92	2.23	18.77	2.26	20.26	2.30	21.44	2.35		
115	15.17	2.16	16.34	2.24	17.51	2.32	18.36	2.34	19.85	2.39	21.03	2.44		
118	14.93	2.20	16.10	2.28	17.27	2.37	18.11	2.40	19.61	2.44	20.78	2.49		
122	14.84	2.27	16.01	2.35	17.19	2.44	18.03	2.46	19.53	2.51	20.70	2.56		

TC = Total Capacity (kBtu/h).

PI = Power Input (kW).

Nominal capacity as rated: 0 ft. above sea level with 25 ft. of refrigerant piping.
0 ft. level difference between outdoor and indoor units.

Nominal cooling capacity rating obtained with air entering the indoor unit at 80°F dry bulb (DB) and 67°F wet bulb (WB), and outdoor ambient conditions of 95°F dry bulb (DB) and 75°F wet bulb (WB).

The shaded table rows indicate reference data. When operating at this temperature, these values can be different if the system is not running consistently.

Multi F and Multi F MAX Heat Pump System Engineering Manual

Table 134: LMU36CHV Cooling Capacity Table — Mixed Indoor Units (continued).

Connected Indoor Units	Combination Capacity Index	Outdoor Air Temp. (°F DB)	Indoor Air Temp. °F DB / °F WB											
			68 / 57		73 / 61		77 / 64		80 / 67		86 / 72		90 / 75	
			TC	PI	TC	PI	TC	PI	TC	PI	TC	PI	TC	PI
Two (2) Mixed Indoor Units	9 + 15	14	22.06	1.39	23.43	1.44	24.80	1.49	25.79	1.51	27.54	1.54	28.91	1.57
		20	22.04	1.41	23.41	1.46	24.78	1.51	25.77	1.53	27.51	1.56	28.88	1.59
		25	22.02	1.43	23.39	1.48	24.76	1.53	25.75	1.55	27.49	1.58	28.86	1.61
		30	22.01	1.45	23.37	1.50	24.74	1.56	25.73	1.57	27.47	1.60	28.84	1.63
		35	21.99	1.47	23.36	1.52	24.72	1.58	25.71	1.59	27.45	1.62	28.82	1.66
		40	21.97	1.49	23.34	1.54	24.70	1.60	25.69	1.62	27.43	1.65	28.80	1.68
		45	21.96	1.51	23.32	1.56	24.68	1.62	25.67	1.64	27.41	1.67	28.77	1.70
		50	21.94	1.53	23.30	1.58	24.66	1.64	25.65	1.66	27.39	1.69	28.75	1.72
		55	21.92	1.55	23.28	1.60	24.65	1.66	25.63	1.68	27.37	1.71	28.73	1.75
		60	21.91	1.57	23.27	1.62	24.63	1.68	25.61	1.70	27.35	1.73	28.71	1.77
		65	21.89	1.59	23.25	1.64	24.61	1.71	25.59	1.72	27.33	1.76	28.69	1.79
		70	21.87	1.61	23.23	1.67	24.59	1.73	25.57	1.75	27.30	1.78	28.66	1.81
		75	21.85	1.63	23.21	1.69	24.57	1.75	25.55	1.77	27.28	1.80	28.64	1.83
		80	20.82	1.78	22.17	1.85	23.52	1.91	24.50	1.93	26.23	1.97	27.58	2.01
		85	20.30	1.87	21.65	1.94	22.99	2.01	23.97	2.03	25.69	2.07	27.04	2.11
		90	19.78	1.95	21.12	2.03	22.47	2.10	23.44	2.12	25.16	2.16	26.50	2.21
		95	19.21	2.04	20.55	2.11	21.89	2.19	22.50	2.22	24.56	2.26	25.90	2.30
		100	18.74	2.13	20.08	2.20	21.42	2.29	22.21	2.31	24.09	2.35	25.43	2.40
		105	18.27	2.21	19.61	2.29	20.95	2.38	21.92	2.41	23.63	2.45	24.97	2.50
		110	17.81	2.30	19.14	2.38	20.48	2.47	21.45	2.50	23.16	2.55	24.50	2.60
		115	17.34	2.39	18.68	2.47	20.01	2.56	20.98	2.59	22.69	2.64	24.03	2.70
	118	17.06	2.44	18.40	2.53	19.73	2.62	20.70	2.65	22.41	2.70	23.75	2.75	
	122	16.96	2.51	18.30	2.60	19.64	2.70	20.61	2.73	22.32	2.78	23.66	2.83	
	12 + 12	14	22.06	1.39	23.43	1.44	24.80	1.49	25.79	1.51	27.54	1.54	28.91	1.57
		20	22.04	1.41	23.41	1.46	24.78	1.51	25.77	1.53	27.51	1.56	28.88	1.59
		25	22.02	1.43	23.39	1.48	24.76	1.53	25.75	1.55	27.49	1.58	28.86	1.61
		30	22.01	1.45	23.37	1.50	24.74	1.56	25.73	1.57	27.47	1.60	28.84	1.63
		35	21.99	1.47	23.36	1.52	24.72	1.58	25.71	1.59	27.45	1.62	28.82	1.66
		40	21.97	1.49	23.34	1.54	24.70	1.60	25.69	1.62	27.43	1.65	28.80	1.68
		45	21.96	1.51	23.32	1.56	24.68	1.62	25.67	1.64	27.41	1.67	28.77	1.70
		50	21.94	1.53	23.30	1.58	24.66	1.64	25.65	1.66	27.39	1.69	28.75	1.72
		55	21.92	1.55	23.28	1.60	24.65	1.66	25.63	1.68	27.37	1.71	28.73	1.75
		60	21.91	1.57	23.27	1.62	24.63	1.68	25.61	1.70	27.35	1.73	28.71	1.77
		65	21.89	1.59	23.25	1.64	24.61	1.71	25.59	1.72	27.33	1.76	28.69	1.79
		70	21.87	1.61	23.23	1.67	24.59	1.73	25.57	1.75	27.30	1.78	28.66	1.81
		75	21.85	1.63	23.21	1.69	24.57	1.75	25.55	1.77	27.28	1.80	28.64	1.83
		80	20.82	1.78	22.17	1.85	23.52	1.91	24.50	1.93	26.23	1.97	27.58	2.01
		85	20.30	1.87	21.65	1.94	22.99	2.01	23.97	2.03	25.69	2.07	27.04	2.11
		90	19.78	1.95	21.12	2.03	22.47	2.10	23.44	2.12	25.16	2.16	26.50	2.21
		95	19.21	2.04	20.55	2.11	21.89	2.19	22.50	2.22	24.56	2.26	25.90	2.30
		100	18.74	2.13	20.08	2.20	21.42	2.29	22.21	2.31	24.09	2.35	25.43	2.40
		105	18.27	2.21	19.61	2.29	20.95	2.38	21.92	2.41	23.63	2.45	24.97	2.50
110		17.81	2.30	19.14	2.38	20.48	2.47	21.45	2.50	23.16	2.55	24.50	2.60	
115		17.34	2.39	18.68	2.47	20.01	2.56	20.98	2.59	22.69	2.64	24.03	2.70	
118	17.06	2.44	18.40	2.53	19.73	2.62	20.70	2.65	22.41	2.70	23.75	2.75		
122	16.96	2.51	18.30	2.60	19.64	2.70	20.61	2.73	22.32	2.78	23.66	2.83		

TC = Total Capacity (kBtu/h).

PI = Power Input (kW).

Nominal capacity as rated: 0 ft. above sea level with 25 ft. of refrigerant piping.
0 ft. level difference between outdoor and indoor units.

Nominal cooling capacity rating obtained with air entering the indoor unit at 80°F dry bulb (DB) and 67°F wet bulb (WB), and outdoor ambient conditions of 95°F dry bulb (DB) and 75°F wet bulb (WB).

The shaded table rows indicate reference data. When operating at this temperature, these values can be different if the system is not running consistently.

PERFORMANCE DATA

Cooling Capacity Tables

MULTI F
MULTI F MAX

Table 135: LMU36CHV Cooling Capacity Table — Mixed Indoor Units (continued).

Connected Indoor Units	Combination Capacity Index	Outdoor Air Temp. (°F DB)	Indoor Air Temp. °F DB / °F WB											
			68 / 57		73 / 61		77 / 64		80 / 67		86 / 72		90 / 75	
			TC	PI	TC	PI	TC	PI	TC	PI	TC	PI	TC	PI
Two (2) Mixed Indoor Units	7 + 18	14	22.98	1.44	24.40	1.49	25.83	1.55	26.86	1.56	28.68	1.59	30.11	1.62
		20	22.96	1.46	24.38	1.51	25.81	1.57	26.84	1.59	28.66	1.62	30.09	1.65
		25	22.94	1.48	24.37	1.53	25.79	1.59	26.82	1.61	28.64	1.64	30.06	1.67
		30	22.92	1.50	24.35	1.56	25.77	1.61	26.80	1.63	28.62	1.66	30.04	1.69
		35	22.91	1.52	24.33	1.58	25.75	1.63	26.78	1.65	28.60	1.68	30.02	1.72
		40	22.89	1.54	24.31	1.60	25.73	1.66	26.76	1.68	28.57	1.71	30.00	1.74
		45	22.87	1.56	24.29	1.62	25.71	1.68	26.74	1.70	28.55	1.73	29.97	1.76
		50	22.85	1.58	24.27	1.64	25.69	1.70	26.72	1.72	28.53	1.75	29.95	1.79
		55	22.84	1.60	24.25	1.66	25.67	1.72	26.70	1.74	28.51	1.78	29.93	1.81
		60	22.82	1.62	24.24	1.68	25.65	1.75	26.68	1.77	28.49	1.80	29.90	1.83
		65	22.80	1.65	24.22	1.71	25.63	1.77	26.66	1.79	28.46	1.82	29.88	1.86
		70	22.78	1.67	24.20	1.73	25.61	1.79	26.63	1.81	28.44	1.84	29.86	1.88
		75	22.23	1.76	23.65	1.82	25.06	1.89	26.08	1.91	27.88	1.94	29.29	1.98
		80	21.69	1.85	23.09	1.91	24.50	1.98	25.52	2.01	27.32	2.04	28.73	2.08
		85	21.14	1.94	22.55	2.01	23.95	2.08	24.97	2.10	26.76	2.14	28.17	2.19
		90	20.60	2.03	22.00	2.10	23.40	2.18	24.41	2.20	26.20	2.24	27.60	2.29
		95	20.01	2.12	21.40	2.19	22.80	2.27	23.44	2.30	25.59	2.34	26.98	2.39
		100	19.52	2.21	20.92	2.29	22.31	2.37	23.13	2.40	25.10	2.44	26.49	2.49
		105	19.04	2.30	20.43	2.38	21.82	2.47	22.83	2.49	24.61	2.54	26.01	2.59
		110	18.55	2.38	19.94	2.47	21.34	2.56	22.34	2.59	24.12	2.64	25.52	2.69
		115	18.06	2.47	19.45	2.57	20.85	2.66	21.86	2.69	23.64	2.74	25.03	2.79
	118	17.77	2.53	19.16	2.62	20.56	2.72	21.56	2.75	23.34	2.80	24.74	2.86	
	122	17.67	2.60	19.07	2.70	20.46	2.79	21.47	2.83	23.25	2.88	24.64	2.94	
	9 + 18	14	24.81	1.54	26.35	1.60	27.90	1.65	29.01	1.67	30.98	1.71	32.52	1.74
		20	24.79	1.56	26.33	1.62	27.87	1.68	28.99	1.70	30.95	1.73	32.49	1.76
		25	24.78	1.58	26.31	1.64	27.85	1.70	28.96	1.72	30.93	1.75	32.47	1.79
		30	24.76	1.61	26.29	1.67	27.83	1.73	28.94	1.75	30.91	1.78	32.44	1.81
		35	24.74	1.63	26.27	1.69	27.81	1.75	28.92	1.77	30.88	1.80	32.42	1.84
		40	24.72	1.65	26.25	1.71	27.79	1.77	28.90	1.79	30.86	1.83	32.40	1.86
		45	24.70	1.67	26.23	1.73	27.77	1.80	28.88	1.82	30.84	1.85	32.37	1.89
		50	24.68	1.70	26.21	1.76	27.75	1.82	28.85	1.84	30.81	1.88	32.35	1.91
		55	24.66	1.72	26.19	1.78	27.73	1.85	28.83	1.87	30.79	1.90	32.32	1.94
		60	24.64	1.74	26.17	1.80	27.70	1.87	28.81	1.89	30.77	1.93	32.30	1.96
		65	24.62	1.76	26.15	1.83	27.68	1.89	28.79	1.91	30.74	1.95	32.27	1.99
		70	24.61	1.78	26.13	1.85	27.66	1.92	28.77	1.94	30.72	1.97	32.25	2.01
		75	24.01	1.88	25.54	1.95	27.06	2.02	28.16	2.04	30.11	2.08	31.64	2.12
		80	23.42	1.98	24.94	2.05	26.46	2.12	27.56	2.15	29.50	2.19	31.02	2.23
		85	22.83	2.07	24.35	2.15	25.87	2.23	26.96	2.25	28.90	2.29	30.42	2.34
		90	22.25	2.17	23.76	2.25	25.27	2.33	26.37	2.36	28.30	2.40	29.81	2.45
		95	21.61	2.27	23.12	2.35	24.62	2.43	25.31	2.46	27.63	2.51	29.14	2.56
		100	21.08	2.36	22.59	2.45	24.10	2.54	24.98	2.57	27.11	2.61	28.61	2.67
		105	20.56	2.46	22.06	2.55	23.57	2.64	24.66	2.67	26.58	2.72	28.09	2.78
110		20.03	2.55	21.54	2.65	23.04	2.74	24.13	2.78	26.05	2.83	27.56	2.88	
115		19.51	2.65	21.01	2.75	22.52	2.85	23.60	2.88	25.53	2.93	27.03	2.99	
118	19.19	2.71	20.70	2.81	22.20	2.91	23.29	2.94	25.21	3.00	26.72	3.06		
122	19.08	2.78	20.59	2.89	22.10	2.99	23.18	3.03	25.11	3.08	26.61	3.14		

TC = Total Capacity (kBtu/h).

PI = Power Input (kW).

Nominal capacity as rated: 0 ft. above sea level with 25 ft. of refrigerant piping.
0 ft. level difference between outdoor and indoor units.

Nominal cooling capacity rating obtained with air entering the indoor unit at 80°F dry bulb (DB) and 67°F wet bulb (WB), and outdoor ambient conditions of 95°F dry bulb (DB) and 75°F wet bulb (WB).

The shaded table rows indicate reference data. When operating at this temperature, these values can be different if the system is not running consistently.

Multi F and Multi F MAX Heat Pump System Engineering Manual

Table 136: LMU36CHV Cooling Capacity Table — Mixed Indoor Units (continued).

Connected Indoor Units	Combination Capacity Index	Outdoor Air Temp. (°F DB)	Indoor Air Temp. °F DB / °F WB											
			68 / 57		73 / 61		77 / 64		80 / 67		86 / 72		90 / 75	
			TC	PI	TC	PI	TC	PI	TC	PI	TC	PI	TC	PI
Two (2) Mixed Indoor Units	12 + 15	14	24.81	1.54	26.35	1.60	27.90	1.65	29.01	1.67	30.98	1.71	32.52	1.74
		20	24.79	1.56	26.33	1.62	27.87	1.68	28.99	1.70	30.95	1.73	32.49	1.76
		25	24.78	1.58	26.31	1.64	27.85	1.70	28.96	1.72	30.93	1.75	32.47	1.79
		30	24.76	1.61	26.29	1.67	27.83	1.73	28.94	1.75	30.91	1.78	32.44	1.81
		35	24.74	1.63	26.27	1.69	27.81	1.75	28.92	1.77	30.88	1.80	32.42	1.84
		40	24.72	1.65	26.25	1.71	27.79	1.77	28.90	1.79	30.86	1.83	32.40	1.86
		45	24.70	1.67	26.23	1.73	27.77	1.80	28.88	1.82	30.84	1.85	32.37	1.89
		50	24.68	1.70	26.21	1.76	27.75	1.82	28.85	1.84	30.81	1.88	32.35	1.91
		55	24.66	1.72	26.19	1.78	27.73	1.85	28.83	1.87	30.79	1.90	32.32	1.94
		60	24.64	1.74	26.17	1.80	27.70	1.87	28.81	1.89	30.77	1.93	32.30	1.96
		65	24.62	1.76	26.15	1.83	27.68	1.89	28.79	1.91	30.74	1.95	32.27	1.99
		70	24.61	1.78	26.13	1.85	27.66	1.92	28.77	1.94	30.72	1.97	32.25	2.01
		75	24.01	1.88	25.54	1.95	27.06	2.02	28.16	2.04	30.11	2.08	31.64	2.12
		80	23.42	1.98	24.94	2.05	26.46	2.12	27.56	2.15	29.50	2.19	31.02	2.23
		85	22.83	2.07	24.35	2.15	25.87	2.23	26.96	2.25	28.90	2.29	30.42	2.34
		90	22.25	2.17	23.76	2.25	25.27	2.33	26.37	2.36	28.30	2.40	29.81	2.45
		95	21.61	2.27	23.12	2.35	24.62	2.43	25.31	2.46	27.63	2.51	29.14	2.56
		100	21.08	2.36	22.59	2.45	24.10	2.54	24.98	2.57	27.11	2.61	28.61	2.67
	105	20.56	2.46	22.06	2.55	23.57	2.64	24.66	2.67	26.58	2.72	28.09	2.78	
	110	20.03	2.55	21.54	2.65	23.04	2.74	24.13	2.78	26.05	2.83	27.56	2.88	
	115	19.51	2.65	21.01	2.75	22.52	2.85	23.60	2.88	25.53	2.93	27.03	2.99	
	118	19.19	2.71	20.70	2.81	22.20	2.91	23.29	2.94	25.21	3.00	26.72	3.06	
	122	19.08	2.78	20.59	2.89	22.10	2.99	23.18	3.03	25.11	3.08	26.61	3.14	
	14	27.57	1.67	29.28	1.74	31.00	1.80	32.23	1.82	34.42	1.85	36.13	1.89	
	20	27.55	1.70	29.26	1.76	30.97	1.82	32.21	1.85	34.39	1.88	36.10	1.92	
	25	27.53	1.72	29.24	1.79	30.95	1.85	32.18	1.87	34.37	1.91	36.08	1.94	
	30	27.51	1.75	29.22	1.81	30.92	1.88	32.16	1.90	34.34	1.93	36.05	1.97	
	35	27.49	1.77	29.19	1.83	30.90	1.90	32.13	1.92	34.31	1.96	36.02	2.00	
	40	27.47	1.79	29.17	1.86	30.88	1.93	32.11	1.95	34.29	1.99	35.99	2.03	
	45	27.44	1.82	29.15	1.88	30.85	1.95	32.08	1.98	34.26	2.01	35.97	2.05	
	50	27.42	1.84	29.13	1.91	30.83	1.98	32.06	2.00	34.24	2.04	35.94	2.08	
	55	27.40	1.87	29.10	1.93	30.81	2.01	32.04	2.03	34.21	2.07	35.91	2.11	
	60	27.38	1.89	29.08	1.96	30.78	2.03	32.01	2.05	34.18	2.09	35.88	2.14	
	65	27.36	1.91	29.06	1.98	30.76	2.06	31.99	2.08	34.16	2.12	35.86	2.16	
	70	27.34	1.94	29.04	2.01	30.74	2.08	31.96	2.11	34.13	2.15	35.83	2.19	
	75	26.68	2.04	28.38	2.12	30.07	2.20	31.29	2.22	33.46	2.26	35.15	2.31	
	80	26.02	2.15	27.71	2.23	29.40	2.31	30.62	2.33	32.78	2.38	34.47	2.43	
	85	25.37	2.25	27.06	2.33	28.74	2.42	29.96	2.45	32.11	2.49	33.80	2.54	
	90	24.72	2.36	26.40	2.44	28.08	2.53	29.30	2.56	31.44	2.61	33.13	2.66	
	95	24.01	2.46	25.68	2.55	27.36	2.64	28.13	2.68	30.70	2.73	32.38	2.78	
	100	23.43	2.57	25.10	2.66	26.77	2.76	27.76	2.79	30.12	2.84	31.79	2.90	
	105	22.84	2.67	24.52	2.77	26.19	2.87	27.40	2.90	29.53	2.96	31.21	3.02	
110	22.26	2.78	23.93	2.88	25.60	2.98	26.81	3.02	28.95	3.07	30.62	3.13		
115	21.67	2.88	23.35	2.99	25.02	3.09	26.23	3.13	28.36	3.19	30.04	3.25		
118	21.32	2.94	22.99	3.05	24.67	3.16	25.88	3.20	28.01	3.26	29.69	3.32		
122	21.21	3.03	22.88	3.14	24.55	3.25	25.76	3.29	27.90	3.35	29.57	3.42		
12	12 + 18	14	27.57	1.67	29.28	1.74	31.00	1.80	32.23	1.82	34.42	1.85	36.13	1.89
20		27.55	1.70	29.26	1.76	30.97	1.82	32.21	1.85	34.39	1.88	36.10	1.92	
25		27.53	1.72	29.24	1.79	30.95	1.85	32.18	1.87	34.37	1.91	36.08	1.94	
30		27.51	1.75	29.22	1.81	30.92	1.88	32.16	1.90	34.34	1.93	36.05	1.97	
35		27.49	1.77	29.19	1.83	30.90	1.90	32.13	1.92	34.31	1.96	36.02	2.00	
40		27.47	1.79	29.17	1.86	30.88	1.93	32.11	1.95	34.29	1.99	35.99	2.03	
45		27.44	1.82	29.15	1.88	30.85	1.95	32.08	1.98	34.26	2.01	35.97	2.05	
50		27.42	1.84	29.13	1.91	30.83	1.98	32.06	2.00	34.24	2.04	35.94	2.08	
55		27.40	1.87	29.10	1.93	30.81	2.01	32.04	2.03	34.21	2.07	35.91	2.11	
60		27.38	1.89	29.08	1.96	30.78	2.03	32.01	2.05	34.18	2.09	35.88	2.14	
65		27.36	1.91	29.06	1.98	30.76	2.06	31.99	2.08	34.16	2.12	35.86	2.16	
70		27.34	1.94	29.04	2.01	30.74	2.08	31.96	2.11	34.13	2.15	35.83	2.19	
75		26.68	2.04	28.38	2.12	30.07	2.20	31.29	2.22	33.46	2.26	35.15	2.31	
80		26.02	2.15	27.71	2.23	29.40	2.31	30.62	2.33	32.78	2.38	34.47	2.43	
85		25.37	2.25	27.06	2.33	28.74	2.42	29.96	2.45	32.11	2.49	33.80	2.54	
90		24.72	2.36	26.40	2.44	28.08	2.53	29.30	2.56	31.44	2.61	33.13	2.66	
95		24.01	2.46	25.68	2.55	27.36	2.64	28.13	2.68	30.70	2.73	32.38	2.78	
100		23.43	2.57	25.10	2.66	26.77	2.76	27.76	2.79	30.12	2.84	31.79	2.90	
105	22.84	2.67	24.52	2.77	26.19	2.87	27.40	2.90	29.53	2.96	31.21	3.02		
110	22.26	2.78	23.93	2.88	25.60	2.98	26.81	3.02	28.95	3.07	30.62	3.13		
115	21.67	2.88	23.35	2.99	25.02	3.09	26.23	3.13	28.36	3.19	30.04	3.25		
118	21.32	2.94	22.99	3.05	24.67	3.16	25.88	3.20	28.01	3.26	29.69	3.32		
122	21.21	3.03	22.88	3.14	24.55	3.25	25.76	3.29	27.90	3.35	29.57	3.42		

TC = Total Capacity (kBtu/h).

PI = Power Input (kW).

Nominal capacity as rated: 0 ft. above sea level with 25 ft. of refrigerant piping.
0 ft. level difference between outdoor and indoor units.

Nominal cooling capacity rating obtained with air entering the indoor unit at 80°F dry bulb (DB) and 67°F wet bulb (WB), and outdoor ambient conditions of 95°F dry bulb (DB) and 75°F wet bulb (WB).

The shaded table rows indicate reference data. When operating at this temperature, these values can be different if the system is not running consistently.

PERFORMANCE DATA

Cooling Capacity Tables

MULTI F
MULTI F MAX

Table 137: LMU36CHV Cooling Capacity Table — Mixed Indoor Units (continued).

Connected Indoor Units	Combination Capacity Index	Outdoor Air Temp. (°F DB)	Indoor Air Temp. °F DB / °F WB											
			68 / 57		73 / 61		77 / 64		80 / 67		86 / 72		90 / 75	
			TC	PI	TC	PI	TC	PI	TC	PI	TC	PI	TC	PI
Two (2) Mixed Indoor Units	7 + 24	14	28.49	1.71	30.26	1.77	32.03	1.84	33.31	1.86	35.57	1.90	37.34	1.93
		20	28.47	1.74	30.24	1.80	32.00	1.87	33.28	1.89	35.54	1.92	37.31	1.96
		25	28.45	1.76	30.21	1.83	31.98	1.89	33.26	1.91	35.51	1.95	37.28	1.99
		30	28.42	1.79	30.19	1.85	31.96	1.92	33.23	1.94	35.49	1.98	37.25	2.02
		35	28.40	1.81	30.17	1.88	31.93	1.95	33.20	1.97	35.46	2.00	37.22	2.04
		40	28.38	1.84	30.14	1.90	31.91	1.97	33.18	1.99	35.43	2.03	37.19	2.07
		45	28.36	1.86	30.12	1.93	31.88	2.00	33.15	2.02	35.40	2.06	37.17	2.10
		50	28.34	1.88	30.10	1.95	31.86	2.02	33.13	2.05	35.38	2.09	37.14	2.13
		55	28.32	1.91	30.07	1.98	31.83	2.05	33.10	2.07	35.35	2.11	37.11	2.16
		60	28.29	1.93	30.05	2.00	31.81	2.08	33.08	2.10	35.32	2.14	37.08	2.18
		65	28.27	1.96	30.03	2.03	31.78	2.10	33.05	2.13	35.30	2.17	37.05	2.21
		70	28.25	1.98	30.01	2.06	31.76	2.13	33.03	2.15	35.27	2.20	37.02	2.24
		75	27.57	2.09	29.32	2.17	31.07	2.25	32.34	2.27	34.57	2.31	36.32	2.36
		80	26.89	2.20	28.64	2.28	30.38	2.36	31.64	2.39	33.87	2.43	35.62	2.48
		85	26.22	2.30	27.96	2.39	29.70	2.48	30.96	2.50	33.18	2.55	34.93	2.60
		90	25.54	2.41	27.28	2.50	29.02	2.59	30.27	2.62	32.49	2.67	34.23	2.72
		95	24.81	2.52	26.54	2.61	28.27	2.70	29.06	2.74	31.73	2.79	33.46	2.84
		100	24.21	2.62	25.94	2.72	27.67	2.82	28.69	2.85	31.12	2.91	32.85	2.96
	105	23.60	2.73	25.33	2.83	27.06	2.93	28.31	2.97	30.52	3.02	32.25	3.09	
	110	23.00	2.84	24.73	2.94	26.46	3.05	27.71	3.08	29.91	3.14	31.64	3.21	
	115	22.40	2.95	24.12	3.05	25.85	3.16	27.10	3.20	29.31	3.26	31.04	3.33	
	118	22.03	3.01	23.76	3.12	25.49	3.23	26.74	3.27	28.95	3.33	30.68	3.40	
	122	21.91	3.10	23.64	3.21	25.37	3.33	26.62	3.36	28.83	3.43	30.55	3.50	
	14	29.41	1.76	31.24	1.82	33.06	1.89	34.38	1.91	36.71	1.94	38.54	1.98	
	20	29.39	1.78	31.21	1.85	33.04	1.91	34.35	1.94	36.69	1.97	38.51	2.01	
	25	29.36	1.81	31.19	1.87	33.01	1.94	34.33	1.96	36.66	2.00	38.48	2.04	
	30	29.34	1.83	31.16	1.90	32.99	1.97	34.30	1.99	36.63	2.03	38.45	2.07	
	35	29.32	1.86	31.14	1.93	32.96	2.00	34.28	2.02	36.60	2.06	38.42	2.10	
	40	29.30	1.88	31.12	1.95	32.94	2.02	34.25	2.05	36.57	2.08	38.39	2.13	
	45	29.27	1.91	31.09	1.98	32.91	2.05	34.22	2.07	36.55	2.11	38.36	2.16	
	50	29.25	1.93	31.07	2.00	32.89	2.08	34.20	2.10	36.52	2.14	38.34	2.18	
	55	29.23	1.96	31.04	2.03	32.86	2.10	34.17	2.13	36.49	2.17	38.31	2.21	
	60	29.21	1.98	31.02	2.06	32.83	2.13	34.14	2.16	36.46	2.20	38.28	2.24	
	65	29.18	2.01	31.00	2.08	32.81	2.16	34.12	2.18	36.43	2.22	38.25	2.27	
	70	29.16	2.03	30.97	2.11	32.78	2.19	34.09	2.21	36.41	2.25	38.22	2.30	
	75	28.46	2.14	30.27	2.22	32.07	2.30	33.38	2.33	35.69	2.37	37.49	2.42	
	80	27.76	2.25	29.56	2.34	31.36	2.42	32.66	2.45	34.97	2.50	36.77	2.55	
	85	27.06	2.36	28.86	2.45	30.66	2.54	31.96	2.57	34.25	2.62	36.05	2.67	
	90	26.37	2.47	28.16	2.56	29.95	2.66	31.25	2.69	33.54	2.74	35.33	2.79	
	95	25.61	2.58	27.40	2.68	29.18	2.78	30.00	2.81	32.75	2.86	34.53	2.92	
	100	24.99	2.69	26.77	2.79	28.56	2.89	29.61	2.93	32.13	2.98	33.91	3.04	
	105	24.37	2.80	26.15	2.91	27.93	3.01	29.22	3.05	31.50	3.10	33.29	3.17	
110	23.74	2.91	25.53	3.02	27.31	3.13	28.60	3.17	30.88	3.22	32.66	3.29		
115	23.12	3.02	24.90	3.13	26.69	3.25	27.98	3.28	30.26	3.35	32.04	3.41		
118	22.74	3.09	24.53	3.20	26.31	3.32	27.60	3.36	29.88	3.42	31.67	3.49		
122	22.62	3.18	24.40	3.29	26.19	3.41	27.48	3.45	29.76	3.52	31.54	3.59		

TC = Total Capacity (kBtu/h).

PI = Power Input (kW).

Nominal capacity as rated: 0 ft. above sea level with 25 ft. of refrigerant piping.
0 ft. level difference between outdoor and indoor units.

Nominal cooling capacity rating obtained with air entering the indoor unit at 80°F dry bulb (DB) and 67°F wet bulb (WB), and outdoor ambient conditions of 95°F dry bulb (DB) and 75°F wet bulb (WB).

The shaded table rows indicate reference data. When operating at this temperature, these values can be different if the system is not running consistently.

Multi F and Multi F MAX Heat Pump System Engineering Manual

Table 138: LMU36CHV Cooling Capacity Table — Mixed Indoor Units (continued).

Connected Indoor Units	Combination Capacity Index	Outdoor Air Temp. (°F DB)	Indoor Air Temp. °F DB / °F WB											
			68 / 57		73 / 61		77 / 64		80 / 67		86 / 72		90 / 75	
			TC	PI	TC	PI	TC	PI	TC	PI	TC	PI	TC	PI
Two (2) Mixed Indoor Units	15 + 18	14	29.41	1.76	31.24	1.82	33.06	1.89	34.38	1.91	36.71	1.94	38.54	1.98
		20	29.39	1.78	31.21	1.85	33.04	1.91	34.35	1.94	36.69	1.97	38.51	2.01
		25	29.36	1.81	31.19	1.87	33.01	1.94	34.33	1.96	36.66	2.00	38.48	2.04
		30	29.34	1.83	31.16	1.90	32.99	1.97	34.30	1.99	36.63	2.03	38.45	2.07
		35	29.32	1.86	31.14	1.93	32.96	2.00	34.28	2.02	36.60	2.06	38.42	2.10
		40	29.30	1.88	31.12	1.95	32.94	2.02	34.25	2.05	36.57	2.08	38.39	2.13
		45	29.27	1.91	31.09	1.98	32.91	2.05	34.22	2.07	36.55	2.11	38.36	2.16
		50	29.25	1.93	31.07	2.00	32.89	2.08	34.20	2.10	36.52	2.14	38.34	2.18
		55	29.23	1.96	31.04	2.03	32.86	2.10	34.17	2.13	36.49	2.17	38.31	2.21
		60	29.21	1.98	31.02	2.06	32.83	2.13	34.14	2.16	36.46	2.20	38.28	2.24
		65	29.18	2.01	31.00	2.08	32.81	2.16	34.12	2.18	36.43	2.22	38.25	2.27
		70	29.16	2.03	30.97	2.11	32.78	2.19	34.09	2.21	36.41	2.25	38.22	2.30
		75	28.46	2.14	30.27	2.22	32.07	2.30	33.38	2.33	35.69	2.37	37.49	2.42
		80	27.76	2.25	29.56	2.34	31.36	2.42	32.66	2.45	34.97	2.50	36.77	2.55
		85	27.06	2.36	28.86	2.45	30.66	2.54	31.96	2.57	34.25	2.62	36.05	2.67
		90	26.37	2.47	28.16	2.56	29.95	2.66	31.25	2.69	33.54	2.74	35.33	2.79
		95	25.61	2.58	27.40	2.68	29.18	2.78	30.00	2.81	32.75	2.86	34.53	2.92
		100	24.99	2.69	26.77	2.79	28.56	2.89	29.61	2.93	32.13	2.98	33.91	3.04
	105	24.37	2.80	26.15	2.91	27.93	3.01	29.22	3.05	31.50	3.10	33.29	3.17	
	110	23.74	2.91	25.53	3.02	27.31	3.13	28.60	3.17	30.88	3.22	32.66	3.29	
	115	23.12	3.02	24.90	3.13	26.69	3.25	27.98	3.28	30.26	3.35	32.04	3.41	
	118	22.74	3.09	24.53	3.20	26.31	3.32	27.60	3.36	29.88	3.42	31.67	3.49	
	122	22.62	3.18	24.40	3.29	26.19	3.41	27.48	3.45	29.76	3.52	31.54	3.59	
	18 + 18	14	29.41	1.76	31.24	1.82	33.06	1.89	34.38	1.91	36.71	1.94	38.54	1.98
		20	29.39	1.78	31.21	1.85	33.04	1.91	34.35	1.94	36.69	1.97	38.51	2.01
		25	29.36	1.81	31.19	1.87	33.01	1.94	34.33	1.96	36.66	2.00	38.48	2.04
		30	29.34	1.83	31.16	1.90	32.99	1.97	34.30	1.99	36.63	2.03	38.45	2.07
		35	29.32	1.86	31.14	1.93	32.96	2.00	34.28	2.02	36.60	2.06	38.42	2.10
		40	29.30	1.88	31.12	1.95	32.94	2.02	34.25	2.05	36.57	2.08	38.39	2.13
		45	29.27	1.91	31.09	1.98	32.91	2.05	34.22	2.07	36.55	2.11	38.36	2.16
		50	29.25	1.93	31.07	2.00	32.89	2.08	34.20	2.10	36.52	2.14	38.34	2.18
		55	29.23	1.96	31.04	2.03	32.86	2.10	34.17	2.13	36.49	2.17	38.31	2.21
		60	29.21	1.98	31.02	2.06	32.83	2.13	34.14	2.16	36.46	2.20	38.28	2.24
		65	29.18	2.01	31.00	2.08	32.81	2.16	34.12	2.18	36.43	2.22	38.25	2.27
		70	29.16	2.03	30.97	2.11	32.78	2.19	34.09	2.21	36.41	2.25	38.22	2.30
		75	28.46	2.14	30.27	2.22	32.07	2.30	33.38	2.33	35.69	2.37	37.49	2.42
		80	27.76	2.25	29.56	2.34	31.36	2.42	32.66	2.45	34.97	2.50	36.77	2.55
	85	27.06	2.36	28.86	2.45	30.66	2.54	31.96	2.57	34.25	2.62	36.05	2.67	
	90	26.37	2.47	28.16	2.56	29.95	2.66	31.25	2.69	33.54	2.74	35.33	2.79	
	95	25.61	2.58	27.40	2.68	29.18	2.78	30.00	2.81	32.75	2.86	34.53	2.92	
	100	24.99	2.69	26.77	2.79	28.56	2.89	29.61	2.93	32.13	2.98	33.91	3.04	
	105	24.37	2.80	26.15	2.91	27.93	3.01	29.22	3.05	31.50	3.10	33.29	3.17	
110	23.74	2.91	25.53	3.02	27.31	3.13	28.60	3.17	30.88	3.22	32.66	3.29		
115	23.12	3.02	24.90	3.13	26.69	3.25	27.98	3.28	30.26	3.35	32.04	3.41		
118	22.74	3.09	24.53	3.20	26.31	3.32	27.60	3.36	29.88	3.42	31.67	3.49		
122	22.62	3.18	24.40	3.29	26.19	3.41	27.48	3.45	29.76	3.52	31.54	3.59		

TC = Total Capacity (kBtu/h).

PI = Power Input (kW).

Nominal capacity as rated: 0 ft. above sea level with 25 ft. of refrigerant piping.
0 ft. level difference between outdoor and indoor units.

Nominal cooling capacity rating obtained with air entering the indoor unit at 80°F dry bulb (DB) and 67°F wet bulb (WB), and outdoor ambient conditions of 95°F dry bulb (DB) and 75°F wet bulb (WB).

The shaded table rows indicate reference data. When operating at this temperature, these values can be different if the system is not running consistently.

PERFORMANCE DATA

Cooling Capacity Tables

MULTI F
MULTI F MAX

Table 139: LMU36CHV Cooling Capacity Table — Mixed Indoor Units (continued).

Connected Indoor Units	Combination Capacity Index	Outdoor Air Temp. (°F DB)	Indoor Air Temp. °F DB / °F WB											
			68 / 57		73 / 61		77 / 64		80 / 67		86 / 72		90 / 75	
			TC	PI	TC	PI	TC	PI	TC	PI	TC	PI	TC	PI
Two (2) Mixed Indoor Units	12 + 24	14	29.41	1.76	31.24	1.82	33.06	1.89	34.38	1.91	36.71	1.94	38.54	1.98
		20	29.39	1.78	31.21	1.85	33.04	1.91	34.35	1.94	36.69	1.97	38.51	2.01
		25	29.36	1.81	31.19	1.87	33.01	1.94	34.33	1.96	36.66	2.00	38.48	2.04
		30	29.34	1.83	31.16	1.90	32.99	1.97	34.30	1.99	36.63	2.03	38.45	2.07
		35	29.32	1.86	31.14	1.93	32.96	2.00	34.28	2.02	36.60	2.06	38.42	2.10
		40	29.30	1.88	31.12	1.95	32.94	2.02	34.25	2.05	36.57	2.08	38.39	2.13
		45	29.27	1.91	31.09	1.98	32.91	2.05	34.22	2.07	36.55	2.11	38.36	2.16
		50	29.25	1.93	31.07	2.00	32.89	2.08	34.20	2.10	36.52	2.14	38.34	2.18
		55	29.23	1.96	31.04	2.03	32.86	2.10	34.17	2.13	36.49	2.17	38.31	2.21
		60	29.21	1.98	31.02	2.06	32.83	2.13	34.14	2.16	36.46	2.20	38.28	2.24
		65	29.18	2.01	31.00	2.08	32.81	2.16	34.12	2.18	36.43	2.22	38.25	2.27
		70	29.16	2.03	30.97	2.11	32.78	2.19	34.09	2.21	36.41	2.25	38.22	2.30
		75	28.46	2.14	30.27	2.22	32.07	2.30	33.38	2.33	35.69	2.37	37.49	2.42
		80	27.76	2.25	29.56	2.34	31.36	2.42	32.66	2.45	34.97	2.50	36.77	2.55
		85	27.06	2.36	28.86	2.45	30.66	2.54	31.96	2.57	34.25	2.62	36.05	2.67
		90	26.37	2.47	28.16	2.56	29.95	2.66	31.25	2.69	33.54	2.74	35.33	2.79
		95	25.61	2.58	27.40	2.68	29.18	2.78	30.00	2.81	32.75	2.86	34.53	2.92
		100	24.99	2.69	26.77	2.79	28.56	2.89	29.61	2.93	32.13	2.98	33.91	3.04
		105	24.37	2.80	26.15	2.91	27.93	3.01	29.22	3.05	31.50	3.10	33.29	3.17
		110	23.74	2.91	25.53	3.02	27.31	3.13	28.60	3.17	30.88	3.22	32.66	3.29
		115	23.12	3.02	24.90	3.13	26.69	3.25	27.98	3.28	30.26	3.35	32.04	3.41
		118	22.74	3.09	24.53	3.20	26.31	3.32	27.60	3.36	29.88	3.42	31.67	3.49
	122	22.62	3.18	24.40	3.29	26.19	3.41	27.48	3.45	29.76	3.52	31.54	3.59	
	15 + 24	14	29.41	1.76	31.24	1.82	33.06	1.89	34.38	1.91	36.71	1.94	38.54	1.98
		20	29.39	1.78	31.21	1.85	33.04	1.91	34.35	1.94	36.69	1.97	38.51	2.01
		25	29.36	1.81	31.19	1.87	33.01	1.94	34.33	1.96	36.66	2.00	38.48	2.04
		30	29.34	1.83	31.16	1.90	32.99	1.97	34.30	1.99	36.63	2.03	38.45	2.07
		35	29.32	1.86	31.14	1.93	32.96	2.00	34.28	2.02	36.60	2.06	38.42	2.10
		40	29.30	1.88	31.12	1.95	32.94	2.02	34.25	2.05	36.57	2.08	38.39	2.13
		45	29.27	1.91	31.09	1.98	32.91	2.05	34.22	2.07	36.55	2.11	38.36	2.16
		50	29.25	1.93	31.07	2.00	32.89	2.08	34.20	2.10	36.52	2.14	38.34	2.18
		55	29.23	1.96	31.04	2.03	32.86	2.10	34.17	2.13	36.49	2.17	38.31	2.21
		60	29.21	1.98	31.02	2.06	32.83	2.13	34.14	2.16	36.46	2.20	38.28	2.24
		65	29.18	2.01	31.00	2.08	32.81	2.16	34.12	2.18	36.43	2.22	38.25	2.27
		70	29.16	2.03	30.97	2.11	32.78	2.19	34.09	2.21	36.41	2.25	38.22	2.30
		75	28.46	2.14	30.27	2.22	32.07	2.30	33.38	2.33	35.69	2.37	37.49	2.42
		80	27.76	2.25	29.56	2.34	31.36	2.42	32.66	2.45	34.97	2.50	36.77	2.55
		85	27.06	2.36	28.86	2.45	30.66	2.54	31.96	2.57	34.25	2.62	36.05	2.67
		90	26.37	2.47	28.16	2.56	29.95	2.66	31.25	2.69	33.54	2.74	35.33	2.79
		95	25.61	2.58	27.40	2.68	29.18	2.78	30.00	2.81	32.75	2.86	34.53	2.92
		100	24.99	2.69	26.77	2.79	28.56	2.89	29.61	2.93	32.13	2.98	33.91	3.04
		105	24.37	2.80	26.15	2.91	27.93	3.01	29.22	3.05	31.50	3.10	33.29	3.17
110		23.74	2.91	25.53	3.02	27.31	3.13	28.60	3.17	30.88	3.22	32.66	3.29	
115		23.12	3.02	24.90	3.13	26.69	3.25	27.98	3.28	30.26	3.35	32.04	3.41	
118		22.74	3.09	24.53	3.20	26.31	3.32	27.60	3.36	29.88	3.42	31.67	3.49	
122	22.62	3.18	24.40	3.29	26.19	3.41	27.48	3.45	29.76	3.52	31.54	3.59		

TC = Total Capacity (kBtu/h).

PI = Power Input (kW).

Nominal capacity as rated: 0 ft. above sea level with 25 ft. of refrigerant piping.
0 ft. level difference between outdoor and indoor units.

Nominal cooling capacity rating obtained with air entering the indoor unit at 80°F dry bulb (DB) and 67°F wet bulb (WB), and outdoor ambient conditions of 95°F dry bulb (DB) and 75°F wet bulb (WB).

The shaded table rows indicate reference data. When operating at this temperature, these values can be different if the system is not running consistently.

Multi F and Multi F MAX Heat Pump System Engineering Manual

Table 140: LMU36CHV Cooling Capacity Table — Mixed Indoor Units (continued).

Connected Indoor Units	Combination Capacity Index	Outdoor Air Temp. (°F DB)	Indoor Air Temp. °F DB / °F WB											
			68 / 57		73 / 61		77 / 64		80 / 67		86 / 72		90 / 75	
			TC	PI	TC	PI	TC	PI	TC	PI	TC	PI	TC	PI
Two (2) Mixed Indoor Units	18 + 24*	14	29.41	1.76	31.24	1.82	33.06	1.89	34.38	1.91	36.71	1.94	38.54	1.98
		20	29.39	1.78	31.21	1.85	33.04	1.91	34.35	1.94	36.69	1.97	38.51	2.01
		25	29.36	1.81	31.19	1.87	33.01	1.94	34.33	1.96	36.66	2.00	38.48	2.04
		30	29.34	1.83	31.16	1.90	32.99	1.97	34.30	1.99	36.63	2.03	38.45	2.07
		35	29.32	1.86	31.14	1.93	32.96	2.00	34.28	2.02	36.60	2.06	38.42	2.10
		40	29.30	1.88	31.12	1.95	32.94	2.02	34.25	2.05	36.57	2.08	38.39	2.13
		45	29.27	1.91	31.09	1.98	32.91	2.05	34.22	2.07	36.55	2.11	38.36	2.16
		50	29.25	1.93	31.07	2.00	32.89	2.08	34.20	2.10	36.52	2.14	38.34	2.18
		55	29.23	1.96	31.04	2.03	32.86	2.10	34.17	2.13	36.49	2.17	38.31	2.21
		60	29.21	1.98	31.02	2.06	32.83	2.13	34.14	2.16	36.46	2.20	38.28	2.24
		65	29.18	2.01	31.00	2.08	32.81	2.16	34.12	2.18	36.43	2.22	38.25	2.27
		70	29.16	2.03	30.97	2.11	32.78	2.19	34.09	2.21	36.41	2.25	38.22	2.30
		75	28.46	2.14	30.27	2.22	32.07	2.30	33.38	2.33	35.69	2.37	37.49	2.42
		80	27.76	2.25	29.56	2.34	31.36	2.42	32.66	2.45	34.97	2.50	36.77	2.55
		85	27.06	2.36	28.86	2.45	30.66	2.54	31.96	2.57	34.25	2.62	36.05	2.67
		90	26.37	2.47	28.16	2.56	29.95	2.66	31.25	2.69	33.54	2.74	35.33	2.79
		95	25.61	2.58	27.40	2.68	29.18	2.78	30.00	2.81	32.75	2.86	34.53	2.92
		100	24.99	2.69	26.77	2.79	28.56	2.89	29.61	2.93	32.13	2.98	33.91	3.04
	105	24.37	2.80	26.15	2.91	27.93	3.01	29.22	3.05	31.50	3.10	33.29	3.17	
	110	23.74	2.91	25.53	3.02	27.31	3.13	28.60	3.17	30.88	3.22	32.66	3.29	
	115	23.12	3.02	24.90	3.13	26.69	3.25	27.98	3.28	30.26	3.35	32.04	3.41	
	118	22.74	3.09	24.53	3.20	26.31	3.32	27.60	3.36	29.88	3.42	31.67	3.49	
	122	22.62	3.18	24.40	3.29	26.19	3.41	27.48	3.45	29.76	3.52	31.54	3.59	
	24* + 24*	14	29.41	1.76	31.24	1.82	33.06	1.89	34.38	1.91	36.71	1.94	38.54	1.98
		20	29.39	1.78	31.21	1.85	33.04	1.91	34.35	1.94	36.69	1.97	38.51	2.01
		25	29.36	1.81	31.19	1.87	33.01	1.94	34.33	1.96	36.66	2.00	38.48	2.04
		30	29.34	1.83	31.16	1.90	32.99	1.97	34.30	1.99	36.63	2.03	38.45	2.07
		35	29.32	1.86	31.14	1.93	32.96	2.00	34.28	2.02	36.60	2.06	38.42	2.10
		40	29.30	1.88	31.12	1.95	32.94	2.02	34.25	2.05	36.57	2.08	38.39	2.13
		45	29.27	1.91	31.09	1.98	32.91	2.05	34.22	2.07	36.55	2.11	38.36	2.16
		50	29.25	1.93	31.07	2.00	32.89	2.08	34.20	2.10	36.52	2.14	38.34	2.18
		55	29.23	1.96	31.04	2.03	32.86	2.10	34.17	2.13	36.49	2.17	38.31	2.21
		60	29.21	1.98	31.02	2.06	32.83	2.13	34.14	2.16	36.46	2.20	38.28	2.24
		65	29.18	2.01	31.00	2.08	32.81	2.16	34.12	2.18	36.43	2.22	38.25	2.27
		70	29.16	2.03	30.97	2.11	32.78	2.19	34.09	2.21	36.41	2.25	38.22	2.30
		75	28.46	2.14	30.27	2.22	32.07	2.30	33.38	2.33	35.69	2.37	37.49	2.42
		80	27.76	2.25	29.56	2.34	31.36	2.42	32.66	2.45	34.97	2.50	36.77	2.55
	85	27.06	2.36	28.86	2.45	30.66	2.54	31.96	2.57	34.25	2.62	36.05	2.67	
	90	26.37	2.47	28.16	2.56	29.95	2.66	31.25	2.69	33.54	2.74	35.33	2.79	
	95	25.61	2.58	27.40	2.68	29.18	2.78	30.00	2.81	32.75	2.86	34.53	2.92	
	100	24.99	2.69	26.77	2.79	28.56	2.89	29.61	2.93	32.13	2.98	33.91	3.04	
	105	24.37	2.80	26.15	2.91	27.93	3.01	29.22	3.05	31.50	3.10	33.29	3.17	
110	23.74	2.91	25.53	3.02	27.31	3.13	28.60	3.17	30.88	3.22	32.66	3.29		
115	23.12	3.02	24.90	3.13	26.69	3.25	27.98	3.28	30.26	3.35	32.04	3.41		
118	22.74	3.09	24.53	3.20	26.31	3.32	27.60	3.36	29.88	3.42	31.67	3.49		
122	22.62	3.18	24.40	3.29	26.19	3.41	27.48	3.45	29.76	3.52	31.54	3.59		

TC = Total Capacity (kBtu/h).

PI = Power Input (kW).

Nominal capacity as rated: 0 ft. above sea level with 25 ft. of refrigerant piping.
0 ft. level difference between outdoor and indoor units.

Nominal cooling capacity rating obtained with air entering the indoor unit at 80°F dry bulb (DB) and 67°F wet bulb (WB), and outdoor ambient conditions of 95°F dry bulb (DB) and 75°F wet bulb (WB).

The shaded table rows indicate reference data. When operating at this temperature, these values can be different if the system is not running consistently.

*The indoor unit must be non-ducted type.

PERFORMANCE DATA

Cooling Capacity Tables

MULTI F
MULTI F MAX

Table 141: LMU36CHV Cooling Capacity Table — Mixed Indoor Units (continued).

Connected Indoor Units	Combination Capacity Index	Outdoor Air Temp. (°F DB)	Indoor Air Temp. °F DB / °F WB											
			68 / 57		73 / 61		77 / 64		80 / 67		86 / 72		90 / 75	
			TC	PI	TC	PI	TC	PI	TC	PI	TC	PI	TC	PI
Three (3) Mixed Indoor Units	7 + 7 + 9	14	21.14	1.31	22.45	1.36	23.76	1.41	24.71	1.42	26.39	1.45	27.70	1.48
		20	21.12	1.33	22.43	1.38	23.75	1.43	24.69	1.45	26.37	1.47	27.68	1.50
		25	21.11	1.35	22.42	1.40	23.73	1.45	24.67	1.47	26.35	1.49	27.66	1.52
		30	21.09	1.37	22.40	1.42	23.71	1.47	24.65	1.49	26.33	1.51	27.64	1.54
		35	21.07	1.39	22.38	1.44	23.69	1.49	24.64	1.51	26.31	1.54	27.62	1.57
		40	21.06	1.41	22.36	1.46	23.67	1.51	24.62	1.53	26.29	1.56	27.60	1.59
		45	21.04	1.42	22.35	1.48	23.65	1.53	24.60	1.55	26.27	1.58	27.57	1.61
		50	21.02	1.44	22.33	1.50	23.64	1.55	24.58	1.57	26.25	1.60	27.55	1.63
		55	21.01	1.46	22.31	1.52	23.62	1.57	24.56	1.59	26.23	1.62	27.53	1.65
		60	20.99	1.48	22.30	1.53	23.60	1.59	24.54	1.61	26.21	1.64	27.51	1.67
		65	20.98	1.50	22.28	1.55	23.58	1.61	24.52	1.63	26.19	1.66	27.49	1.69
		70	20.96	1.52	22.26	1.57	23.56	1.63	24.50	1.65	26.17	1.68	27.47	1.71
		75	20.46	1.60	21.75	1.66	23.05	1.72	23.99	1.74	25.65	1.77	26.95	1.81
		80	19.95	1.68	21.25	1.74	22.54	1.81	23.48	1.83	25.13	1.86	26.43	1.90
		85	19.45	1.76	20.74	1.83	22.04	1.90	22.97	1.92	24.62	1.95	25.91	1.99
		90	18.95	1.85	20.24	1.91	21.53	1.98	22.46	2.01	24.11	2.04	25.40	2.09
		95	18.41	1.93	19.69	2.00	20.97	2.07	21.56	2.10	23.54	2.13	24.82	2.18
		100	17.96	2.01	19.24	2.08	20.53	2.16	21.28	2.18	23.09	2.23	24.37	2.27
		105	17.51	2.09	18.80	2.17	20.08	2.25	21.00	2.27	22.64	2.32	23.93	2.36
		110	17.06	2.17	18.35	2.25	19.63	2.34	20.56	2.36	22.19	2.41	23.48	2.46
		115	16.62	2.26	17.90	2.34	19.18	2.42	20.11	2.45	21.75	2.50	23.03	2.55
	118	16.35	2.30	17.63	2.39	18.91	2.48	19.84	2.50	21.48	2.55	22.76	2.60	
	122	16.26	2.37	17.54	2.46	18.82	2.55	19.75	2.58	21.39	2.62	22.67	2.68	
	7 + 9 + 9	14	22.98	1.41	24.40	1.46	25.83	1.52	26.86	1.54	28.68	1.56	30.11	1.60
		20	22.96	1.43	24.38	1.49	25.81	1.54	26.84	1.56	28.66	1.59	30.09	1.62
		25	22.94	1.45	24.37	1.51	25.79	1.56	26.82	1.58	28.64	1.61	30.06	1.64
		30	22.92	1.47	24.35	1.53	25.77	1.58	26.80	1.60	28.62	1.63	30.04	1.66
		35	22.91	1.49	24.33	1.55	25.75	1.61	26.78	1.62	28.60	1.65	30.02	1.69
		40	22.89	1.51	24.31	1.57	25.73	1.63	26.76	1.65	28.57	1.68	30.00	1.71
		45	22.87	1.53	24.29	1.59	25.71	1.65	26.74	1.67	28.55	1.70	29.97	1.73
		50	22.85	1.56	24.27	1.61	25.69	1.67	26.72	1.69	28.53	1.72	29.95	1.76
		55	22.84	1.58	24.25	1.63	25.67	1.69	26.70	1.71	28.51	1.74	29.93	1.78
		60	22.82	1.60	24.24	1.65	25.65	1.71	26.68	1.73	28.49	1.77	29.90	1.80
		65	22.80	1.62	24.22	1.68	25.63	1.74	26.66	1.76	28.46	1.79	29.88	1.83
		70	22.78	1.64	24.20	1.70	25.61	1.76	26.63	1.78	28.44	1.81	29.86	1.85
		75	22.23	1.72	23.65	1.79	25.06	1.85	26.08	1.87	27.88	1.91	29.29	1.95
		80	21.69	1.81	23.09	1.88	24.50	1.95	25.52	1.97	27.32	2.01	28.73	2.05
		85	21.14	1.90	22.55	1.97	23.95	2.04	24.97	2.07	26.76	2.10	28.17	2.15
		90	20.60	1.99	22.00	2.06	23.40	2.14	24.41	2.16	26.20	2.20	27.60	2.25
		95	20.01	2.08	21.40	2.15	22.80	2.23	23.44	2.26	25.59	2.30	26.98	2.35
		100	19.52	2.17	20.92	2.25	22.31	2.33	23.13	2.35	25.10	2.40	26.49	2.45
		105	19.04	2.25	20.43	2.34	21.82	2.42	22.83	2.45	24.61	2.50	26.01	2.55
110		18.55	2.34	19.94	2.43	21.34	2.52	22.34	2.55	24.12	2.59	25.52	2.65	
115		18.06	2.43	19.45	2.52	20.85	2.61	21.86	2.64	23.64	2.69	25.03	2.75	
118	17.77	2.48	19.16	2.57	20.56	2.67	21.56	2.70	23.34	2.75	24.74	2.81		
122	17.67	2.55	19.07	2.65	20.46	2.74	21.47	2.78	23.25	2.83	24.64	2.89		

TC = Total Capacity (kBtu/h).

PI = Power Input (kW).

Nominal capacity as rated: 0 ft. above sea level with 25 ft. of refrigerant piping.
0 ft. level difference between outdoor and indoor units.

Nominal cooling capacity rating obtained with air entering the indoor unit at 80°F dry bulb (DB) and 67°F wet bulb (WB), and outdoor ambient conditions of 95°F dry bulb (DB) and 75°F wet bulb (WB).

The shaded table rows indicate reference data. When operating at this temperature, these values can be different if the system is not running consistently.

Multi F and Multi F MAX Heat Pump System Engineering Manual

Table 142: LMU36CHV Cooling Capacity Table — Mixed Indoor Units (continued).

Connected Indoor Units	Combination Capacity Index	Outdoor Air Temp. (°F DB)	Indoor Air Temp. °F DB / °F WB											
			68 / 57		73 / 61		77 / 64		80 / 67		86 / 72		90 / 75	
			TC	PI	TC	PI	TC	PI	TC	PI	TC	PI	TC	PI
Three (3) Mixed Indoor Units	7 + 7 + 12	14	23.89	1.44	25.38	1.49	26.86	1.55	27.93	1.56	29.83	1.59	31.31	1.62
		20	23.88	1.46	25.36	1.51	26.84	1.57	27.91	1.59	29.81	1.62	31.29	1.65
		25	23.86	1.48	25.34	1.53	26.82	1.59	27.89	1.61	29.79	1.64	31.27	1.67
		30	23.84	1.50	25.32	1.56	26.80	1.61	27.87	1.63	29.76	1.66	31.24	1.69
		35	23.82	1.52	25.30	1.58	26.78	1.63	27.85	1.65	29.74	1.68	31.22	1.72
		40	23.80	1.54	25.28	1.60	26.76	1.66	27.83	1.68	29.72	1.71	31.20	1.74
		45	23.79	1.56	25.26	1.62	26.74	1.68	27.81	1.70	29.69	1.73	31.17	1.76
		50	23.77	1.58	25.24	1.64	26.72	1.70	27.79	1.72	29.67	1.75	31.15	1.79
		55	23.75	1.60	25.22	1.66	26.70	1.72	27.76	1.74	29.65	1.78	31.12	1.81
		60	23.73	1.62	25.20	1.68	26.68	1.75	27.74	1.77	29.63	1.80	31.10	1.83
		65	23.71	1.65	25.19	1.71	26.66	1.77	27.72	1.79	29.60	1.82	31.08	1.86
		70	23.69	1.67	25.17	1.73	26.64	1.79	27.70	1.81	29.58	1.84	31.05	1.88
		75	23.12	1.76	24.59	1.82	26.06	1.89	27.12	1.91	29.00	1.94	30.46	1.98
		80	22.55	1.85	24.02	1.91	25.48	1.98	26.54	2.01	28.41	2.04	29.88	2.08
		85	21.99	1.94	23.45	2.01	24.91	2.08	25.96	2.10	27.83	2.14	29.29	2.19
		90	21.42	2.03	22.88	2.10	24.34	2.18	25.39	2.20	27.25	2.24	28.71	2.29
		95	20.81	2.12	22.26	2.19	23.71	2.27	24.38	2.30	26.61	2.34	28.06	2.39
		100	20.30	2.21	21.75	2.29	23.20	2.37	24.06	2.40	26.10	2.44	27.55	2.49
	105	19.80	2.30	21.25	2.38	22.70	2.47	23.74	2.49	25.60	2.54	27.05	2.59	
	110	19.29	2.38	20.74	2.47	22.19	2.56	23.24	2.59	25.09	2.64	26.54	2.69	
	115	18.78	2.47	20.23	2.57	21.68	2.66	22.73	2.69	24.58	2.74	26.03	2.79	
	118	18.48	2.53	19.93	2.62	21.38	2.72	22.43	2.75	24.28	2.80	25.73	2.86	
	122	18.38	2.60	19.83	2.70	21.28	2.79	22.32	2.83	24.18	2.88	25.63	2.94	
	9 + 9 + 9	14	24.81	1.46	26.35	1.52	27.90	1.57	29.01	1.59	30.98	1.62	32.52	1.65
		20	24.79	1.49	26.33	1.54	27.87	1.60	28.99	1.61	30.95	1.64	32.49	1.68
		25	24.78	1.51	26.31	1.56	27.85	1.62	28.96	1.64	30.93	1.67	32.47	1.70
		30	24.76	1.53	26.29	1.58	27.83	1.64	28.94	1.66	30.91	1.69	32.44	1.72
		35	24.74	1.55	26.27	1.60	27.81	1.66	28.92	1.68	30.88	1.71	32.42	1.75
		40	24.72	1.57	26.25	1.63	27.79	1.69	28.90	1.71	30.86	1.74	32.40	1.77
		45	24.70	1.59	26.23	1.65	27.77	1.71	28.88	1.73	30.84	1.76	32.37	1.80
		50	24.68	1.61	26.21	1.67	27.75	1.73	28.85	1.75	30.81	1.78	32.35	1.82
		55	24.66	1.63	26.19	1.69	27.73	1.75	28.83	1.77	30.79	1.81	32.32	1.84
		60	24.64	1.65	26.17	1.71	27.70	1.78	28.81	1.80	30.77	1.83	32.30	1.87
		65	24.62	1.67	26.15	1.74	27.68	1.80	28.79	1.82	30.74	1.85	32.27	1.89
		70	24.61	1.70	26.13	1.76	27.66	1.82	28.77	1.84	30.72	1.88	32.25	1.91
		75	24.01	1.79	25.54	1.85	27.06	1.92	28.16	1.94	30.11	1.98	31.64	2.02
		80	23.42	1.88	24.94	1.95	26.46	2.02	27.56	2.04	29.50	2.08	31.02	2.12
		85	22.83	1.97	24.35	2.04	25.87	2.12	26.96	2.14	28.90	2.18	30.42	2.22
		90	22.25	2.06	23.76	2.14	25.27	2.21	26.37	2.24	28.30	2.28	29.81	2.33
		95	21.61	2.15	23.12	2.23	24.62	2.31	25.31	2.34	27.63	2.38	29.14	2.43
		100	21.08	2.24	22.59	2.33	24.10	2.41	24.98	2.44	27.11	2.48	28.61	2.53
	105	20.56	2.34	22.06	2.42	23.57	2.51	24.66	2.54	26.58	2.59	28.09	2.64	
110	20.03	2.43	21.54	2.52	23.04	2.61	24.13	2.64	26.05	2.69	27.56	2.74		
115	19.51	2.52	21.01	2.61	22.52	2.71	23.60	2.74	25.53	2.79	27.03	2.84		
118	19.19	2.57	20.70	2.67	22.20	2.76	23.29	2.80	25.21	2.85	26.72	2.91		
122	19.08	2.65	20.59	2.74	22.10	2.84	23.18	2.88	25.11	2.93	26.61	2.99		

TC = Total Capacity (kBtu/h).

PI = Power Input (kW).

Nominal capacity as rated: 0 ft. above sea level with 25 ft. of refrigerant piping.
0 ft. level difference between outdoor and indoor units.

Nominal cooling capacity rating obtained with air entering the indoor unit at 80°F dry bulb (DB) and 67°F wet bulb (WB), and outdoor ambient conditions of 95°F dry bulb (DB) and 75°F wet bulb (WB).

The shaded table rows indicate reference data. When operating at this temperature, these values can be different if the system is not running consistently.

PERFORMANCE DATA

Cooling Capacity Tables

MULTI F
MULTI F MAX

Table 143: LMU36CHV Cooling Capacity Table — Mixed Indoor Units (continued).

Connected Indoor Units	Combination Capacity Index	Outdoor Air Temp. (°F DB)	Indoor Air Temp. °F DB / °F WB											
			68 / 57		73 / 61		77 / 64		80 / 67		86 / 72		90 / 75	
			TC	PI	TC	PI	TC	PI	TC	PI	TC	PI	TC	PI
Three (3) Mixed Indoor Units	7 + 9 + 12	14	25.73	1.50	27.33	1.55	28.93	1.61	30.08	1.63	32.13	1.66	33.72	1.69
		20	25.71	1.52	27.31	1.57	28.91	1.63	30.06	1.65	32.10	1.68	33.70	1.71
		25	25.69	1.54	27.29	1.60	28.88	1.65	30.04	1.67	32.08	1.70	33.67	1.74
		30	25.67	1.56	27.27	1.62	28.86	1.68	30.01	1.70	32.05	1.73	33.65	1.76
		35	25.65	1.58	27.25	1.64	28.84	1.70	29.99	1.72	32.03	1.75	33.62	1.79
		40	25.63	1.60	27.23	1.66	28.82	1.72	29.97	1.74	32.00	1.78	33.59	1.81
		45	25.62	1.62	27.21	1.68	28.80	1.75	29.95	1.77	31.98	1.80	33.57	1.83
		50	25.60	1.65	27.19	1.71	28.77	1.77	29.92	1.79	31.95	1.82	33.54	1.86
		55	25.58	1.67	27.16	1.73	28.75	1.79	29.90	1.81	31.93	1.85	33.52	1.88
		60	25.56	1.69	27.14	1.75	28.73	1.81	29.88	1.84	31.90	1.87	33.49	1.91
		65	25.54	1.71	27.12	1.77	28.71	1.84	29.85	1.86	31.88	1.89	33.47	1.93
		70	25.52	1.73	27.10	1.80	28.69	1.86	29.83	1.88	31.86	1.92	33.44	1.96
		75	24.90	1.83	26.48	1.89	28.06	1.96	29.21	1.98	31.23	2.02	32.81	2.06
		80	24.29	1.92	25.87	1.99	27.44	2.06	28.58	2.09	30.60	2.12	32.17	2.17
		85	23.68	2.01	25.25	2.09	26.83	2.16	27.96	2.19	29.97	2.23	31.55	2.27
		90	23.07	2.11	24.64	2.18	26.21	2.26	27.34	2.29	29.35	2.33	30.92	2.38
		95	22.41	2.20	23.97	2.28	25.53	2.36	26.25	2.39	28.66	2.44	30.22	2.48
		100	21.87	2.29	23.43	2.38	24.99	2.46	25.91	2.49	28.11	2.54	29.67	2.59
	105	21.32	2.39	22.88	2.47	24.44	2.56	25.57	2.59	27.56	2.64	29.13	2.70	
	110	20.77	2.48	22.34	2.57	23.90	2.66	25.02	2.70	27.02	2.75	28.58	2.80	
	115	20.23	2.57	21.79	2.67	23.35	2.76	24.48	2.80	26.47	2.85	28.03	2.91	
	118	19.90	2.63	21.46	2.73	23.02	2.82	24.15	2.86	26.15	2.91	27.71	2.97	
	122	19.79	2.70	21.35	2.80	22.91	2.91	24.04	2.94	26.04	2.99	27.60	3.05	
	9 + 9 + 12	14	27.57	1.57	29.28	1.62	31.00	1.68	32.23	1.70	34.42	1.73	36.13	1.77
		20	27.55	1.59	29.26	1.65	30.97	1.71	32.21	1.73	34.39	1.76	36.10	1.79
		25	27.53	1.61	29.24	1.67	30.95	1.73	32.18	1.75	34.37	1.78	36.08	1.82
		30	27.51	1.63	29.22	1.69	30.92	1.75	32.16	1.78	34.34	1.81	36.05	1.84
		35	27.49	1.66	29.19	1.72	30.90	1.78	32.13	1.80	34.31	1.83	36.02	1.87
		40	27.47	1.68	29.17	1.74	30.88	1.80	32.11	1.82	34.29	1.86	35.99	1.90
		45	27.44	1.70	29.15	1.76	30.85	1.83	32.08	1.85	34.26	1.88	35.97	1.92
		50	27.42	1.72	29.13	1.79	30.83	1.85	32.06	1.87	34.24	1.91	35.94	1.95
		55	27.40	1.75	29.10	1.81	30.81	1.88	32.04	1.90	34.21	1.93	35.91	1.97
		60	27.38	1.77	29.08	1.83	30.78	1.90	32.01	1.92	34.18	1.96	35.88	2.00
		65	27.36	1.79	29.06	1.86	30.76	1.92	31.99	1.95	34.16	1.98	35.86	2.02
		70	27.34	1.81	29.04	1.88	30.74	1.95	31.96	1.97	34.13	2.01	35.83	2.05
		75	26.68	1.91	28.38	1.98	30.07	2.05	31.29	2.08	33.46	2.12	35.15	2.16
		80	26.02	2.01	27.71	2.08	29.40	2.16	30.62	2.18	32.78	2.22	34.47	2.27
		85	25.37	2.11	27.06	2.18	28.74	2.26	29.96	2.29	32.11	2.33	33.80	2.38
		90	24.72	2.20	26.40	2.29	28.08	2.37	29.30	2.40	31.44	2.44	33.13	2.49
		95	24.01	2.30	25.68	2.39	27.36	2.47	28.13	2.50	30.70	2.55	32.38	2.60
		100	23.43	2.40	25.10	2.49	26.77	2.58	27.76	2.61	30.12	2.66	31.79	2.71
	105	22.84	2.50	24.52	2.59	26.19	2.68	27.40	2.71	29.53	2.77	31.21	2.82	
110	22.26	2.60	23.93	2.69	25.60	2.79	26.81	2.82	28.95	2.87	30.62	2.93		
115	21.67	2.69	23.35	2.79	25.02	2.89	26.23	2.93	28.36	2.98	30.04	3.04		
118	21.32	2.75	22.99	2.85	24.67	2.96	25.88	2.99	28.01	3.05	29.69	3.11		
122	21.21	2.83	22.88	2.93	24.55	3.04	25.76	3.08	27.90	3.13	29.57	3.20		

TC = Total Capacity (kBtu/h).

PI = Power Input (kW).

Nominal capacity as rated: 0 ft. above sea level with 25 ft. of refrigerant piping.
0 ft. level difference between outdoor and indoor units.

Nominal cooling capacity rating obtained with air entering the indoor unit at 80°F dry bulb (DB) and 67°F wet bulb (WB), and outdoor ambient conditions of 95°F dry bulb (DB) and 75°F wet bulb (WB).

The shaded table rows indicate reference data. When operating at this temperature, these values can be different if the system is not running consistently.

Multi F and Multi F MAX Heat Pump System Engineering Manual

Table 144: LMU36CHV Cooling Capacity Table — Mixed Indoor Units (continued).

Connected Indoor Units	Combination Capacity Index	Outdoor Air Temp. (°F DB)	Indoor Air Temp. °F DB / °F WB											
			68 / 57		73 / 61		77 / 64		80 / 67		86 / 72		90 / 75	
			TC	PI	TC	PI	TC	PI	TC	PI	TC	PI	TC	PI
Three (3) Mixed Indoor Units	7 + 9 + 15	14	28.49	1.60	30.26	1.66	32.03	1.72	33.31	1.74	35.57	1.78	37.34	1.81
		20	28.47	1.63	30.24	1.69	32.00	1.75	33.28	1.77	35.54	1.80	37.31	1.84
		25	28.45	1.65	30.21	1.71	31.98	1.77	33.26	1.79	35.51	1.83	37.28	1.86
		30	28.42	1.67	30.19	1.73	31.96	1.80	33.23	1.82	35.49	1.85	37.25	1.89
		35	28.40	1.70	30.17	1.76	31.93	1.82	33.20	1.84	35.46	1.88	37.22	1.92
		40	28.38	1.72	30.14	1.78	31.91	1.85	33.18	1.87	35.43	1.90	37.19	1.94
		45	28.36	1.74	30.12	1.81	31.88	1.87	33.15	1.89	35.40	1.93	37.17	1.97
		50	28.34	1.77	30.10	1.83	31.86	1.90	33.13	1.92	35.38	1.95	37.14	1.99
		55	28.32	1.79	30.07	1.85	31.83	1.92	33.10	1.94	35.35	1.98	37.11	2.02
		60	28.29	1.81	30.05	1.88	31.81	1.95	33.08	1.97	35.32	2.01	37.08	2.05
		65	28.27	1.83	30.03	1.90	31.78	1.97	33.05	1.99	35.30	2.03	37.05	2.07
		70	28.25	1.86	30.01	1.93	31.76	2.00	33.03	2.02	35.27	2.06	37.02	2.10
		75	27.57	1.96	29.32	2.03	31.07	2.10	32.34	2.13	34.57	2.17	36.32	2.21
		80	26.89	2.06	28.64	2.13	30.38	2.21	31.64	2.24	33.87	2.28	35.62	2.32
		85	26.22	2.16	27.96	2.24	29.70	2.32	30.96	2.35	33.18	2.39	34.93	2.44
		90	25.54	2.26	27.28	2.34	29.02	2.43	30.27	2.45	32.49	2.50	34.23	2.55
		95	24.81	2.36	26.54	2.44	28.27	2.53	29.06	2.56	31.73	2.61	33.46	2.66
		100	24.21	2.46	25.94	2.55	27.67	2.64	28.69	2.67	31.12	2.72	32.85	2.78
	105	23.60	2.56	25.33	2.65	27.06	2.75	28.31	2.78	30.52	2.83	32.25	2.89	
	110	23.00	2.66	24.73	2.76	26.46	2.86	27.71	2.89	29.91	2.94	31.64	3.00	
	115	22.40	2.76	24.12	2.86	25.85	2.96	27.10	3.00	29.31	3.06	31.04	3.12	
	118	22.03	2.82	23.76	2.92	25.49	3.03	26.74	3.06	28.95	3.12	30.68	3.18	
	122	21.91	2.90	23.64	3.01	25.37	3.12	26.62	3.15	28.83	3.21	30.55	3.27	
	7 + 12 + 12	14	28.49	1.60	30.26	1.66	32.03	1.72	33.31	1.74	35.57	1.78	37.34	1.81
		20	28.47	1.63	30.24	1.69	32.00	1.75	33.28	1.77	35.54	1.80	37.31	1.84
		25	28.45	1.65	30.21	1.71	31.98	1.77	33.26	1.79	35.51	1.83	37.28	1.86
		30	28.42	1.67	30.19	1.73	31.96	1.80	33.23	1.82	35.49	1.85	37.25	1.89
		35	28.40	1.70	30.17	1.76	31.93	1.82	33.20	1.84	35.46	1.88	37.22	1.92
		40	28.38	1.72	30.14	1.78	31.91	1.85	33.18	1.87	35.43	1.90	37.19	1.94
		45	28.36	1.74	30.12	1.81	31.88	1.87	33.15	1.89	35.40	1.93	37.17	1.97
		50	28.34	1.77	30.10	1.83	31.86	1.90	33.13	1.92	35.38	1.95	37.14	1.99
		55	28.32	1.79	30.07	1.85	31.83	1.92	33.10	1.94	35.35	1.98	37.11	2.02
		60	28.29	1.81	30.05	1.88	31.81	1.95	33.08	1.97	35.32	2.01	37.08	2.05
		65	28.27	1.83	30.03	1.90	31.78	1.97	33.05	1.99	35.30	2.03	37.05	2.07
		70	28.25	1.86	30.01	1.93	31.76	2.00	33.03	2.02	35.27	2.06	37.02	2.10
		75	27.57	1.96	29.32	2.03	31.07	2.10	32.34	2.13	34.57	2.17	36.32	2.21
		80	26.89	2.06	28.64	2.13	30.38	2.21	31.64	2.24	33.87	2.28	35.62	2.32
		85	26.22	2.16	27.96	2.24	29.70	2.32	30.96	2.35	33.18	2.39	34.93	2.44
		90	25.54	2.26	27.28	2.34	29.02	2.43	30.27	2.45	32.49	2.50	34.23	2.55
		95	24.81	2.36	26.54	2.44	28.27	2.53	29.06	2.56	31.73	2.61	33.46	2.66
		100	24.21	2.46	25.94	2.55	27.67	2.64	28.69	2.67	31.12	2.72	32.85	2.78
	105	23.60	2.56	25.33	2.65	27.06	2.75	28.31	2.78	30.52	2.83	32.25	2.89	
110	23.00	2.66	24.73	2.76	26.46	2.86	27.71	2.89	29.91	2.94	31.64	3.00		
115	22.40	2.76	24.12	2.86	25.85	2.96	27.10	3.00	29.31	3.06	31.04	3.12		
118	22.03	2.82	23.76	2.92	25.49	3.03	26.74	3.06	28.95	3.12	30.68	3.18		
122	21.91	2.90	23.64	3.01	25.37	3.12	26.62	3.15	28.83	3.21	30.55	3.27		

TC = Total Capacity (kBtu/h).

PI = Power Input (kW).

Nominal capacity as rated: 0 ft. above sea level with 25 ft. of refrigerant piping.
0 ft. level difference between outdoor and indoor units.

Nominal cooling capacity rating obtained with air entering the indoor unit at 80°F dry bulb (DB) and 67°F wet bulb (WB), and outdoor ambient conditions of 95°F dry bulb (DB) and 75°F wet bulb (WB).

The shaded table columns and rows indicate reference data. When operating at this temperature, these values can be different if the system is not running consistently.

PERFORMANCE DATA

Cooling Capacity Tables

MULTI F
MULTI F MAX

Table 145: LMU36CHV Cooling Capacity Table — Mixed Indoor Units (continued).

Connected Indoor Units	Combination Capacity Index	Outdoor Air Temp. (°F DB)	Indoor Air Temp. °F DB / °F WB											
			68 / 57		73 / 61		77 / 64		80 / 67		86 / 72		90 / 75	
			TC	PI	TC	PI	TC	PI	TC	PI	TC	PI	TC	PI
Three (3) Mixed Indoor Units	7 + 7 + 18	14	29.41	1.64	31.24	1.70	33.06	1.76	34.38	1.78	36.71	1.82	38.54	1.85
		20	29.39	1.67	31.21	1.73	33.04	1.79	34.35	1.81	36.69	1.84	38.51	1.88
		25	29.36	1.69	31.19	1.75	33.01	1.82	34.33	1.84	36.66	1.87	38.48	1.91
		30	29.34	1.71	31.16	1.78	32.99	1.84	34.30	1.86	36.63	1.90	38.45	1.93
		35	29.32	1.74	31.14	1.80	32.96	1.87	34.28	1.89	36.60	1.92	38.42	1.96
		40	29.30	1.76	31.12	1.82	32.94	1.89	34.25	1.91	36.57	1.95	38.39	1.99
		45	29.27	1.78	31.09	1.85	32.91	1.92	34.22	1.94	36.55	1.97	38.36	2.01
		50	29.25	1.81	31.07	1.87	32.89	1.94	34.20	1.96	36.52	2.00	38.34	2.04
		55	29.23	1.83	31.04	1.90	32.86	1.97	34.17	1.99	36.49	2.03	38.31	2.07
		60	29.21	1.85	31.02	1.92	32.83	1.99	34.14	2.02	36.46	2.05	38.28	2.09
		65	29.18	1.88	31.00	1.95	32.81	2.02	34.12	2.04	36.43	2.08	38.25	2.12
		70	29.16	1.90	30.97	1.97	32.78	2.04	34.09	2.07	36.41	2.11	38.22	2.15
		75	28.46	2.00	30.27	2.08	32.07	2.15	33.38	2.18	35.69	2.22	37.49	2.26
		80	27.76	2.11	29.56	2.18	31.36	2.26	32.66	2.29	34.97	2.33	36.77	2.38
		85	27.06	2.21	28.86	2.29	30.66	2.37	31.96	2.40	34.25	2.45	36.05	2.50
		90	26.37	2.31	28.16	2.40	29.95	2.48	31.25	2.51	33.54	2.56	35.33	2.61
		95	25.61	2.41	27.40	2.50	29.18	2.59	30.00	2.62	32.75	2.67	34.53	2.73
		100	24.99	2.52	26.77	2.61	28.56	2.70	29.61	2.74	32.13	2.79	33.91	2.84
		105	24.37	2.62	26.15	2.72	27.93	2.81	29.22	2.85	31.50	2.90	33.29	2.96
		110	23.74	2.72	25.53	2.82	27.31	2.93	28.60	2.96	30.88	3.01	32.66	3.07
		115	23.12	2.83	24.90	2.93	26.69	3.04	27.98	3.07	30.26	3.13	32.04	3.19
	118	22.74	2.89	24.53	2.99	26.31	3.10	27.60	3.14	29.88	3.20	31.67	3.26	
	122	22.62	2.97	24.40	3.08	26.19	3.19	27.48	3.23	29.76	3.29	31.54	3.35	
	9 + 9 + 15	14	29.41	1.64	31.24	1.70	33.06	1.76	34.38	1.78	36.71	1.82	38.54	1.85
		20	29.39	1.67	31.21	1.73	33.04	1.79	34.35	1.81	36.69	1.84	38.51	1.88
		25	29.36	1.69	31.19	1.75	33.01	1.82	34.33	1.84	36.66	1.87	38.48	1.91
		30	29.34	1.71	31.16	1.78	32.99	1.84	34.30	1.86	36.63	1.90	38.45	1.93
		35	29.32	1.74	31.14	1.80	32.96	1.87	34.28	1.89	36.60	1.92	38.42	1.96
		40	29.30	1.76	31.12	1.82	32.94	1.89	34.25	1.91	36.57	1.95	38.39	1.99
		45	29.27	1.78	31.09	1.85	32.91	1.92	34.22	1.94	36.55	1.97	38.36	2.01
		50	29.25	1.81	31.07	1.87	32.89	1.94	34.20	1.96	36.52	2.00	38.34	2.04
		55	29.23	1.83	31.04	1.90	32.86	1.97	34.17	1.99	36.49	2.03	38.31	2.07
		60	29.21	1.85	31.02	1.92	32.83	1.99	34.14	2.02	36.46	2.05	38.28	2.09
		65	29.18	1.88	31.00	1.95	32.81	2.02	34.12	2.04	36.43	2.08	38.25	2.12
		70	29.16	1.90	30.97	1.97	32.78	2.04	34.09	2.07	36.41	2.11	38.22	2.15
		75	28.46	2.00	30.27	2.08	32.07	2.15	33.38	2.18	35.69	2.22	37.49	2.26
		80	27.76	2.11	29.56	2.18	31.36	2.26	32.66	2.29	34.97	2.33	36.77	2.38
		85	27.06	2.21	28.86	2.29	30.66	2.37	31.96	2.40	34.25	2.45	36.05	2.50
		90	26.37	2.31	28.16	2.40	29.95	2.48	31.25	2.51	33.54	2.56	35.33	2.61
		95	25.61	2.41	27.40	2.50	29.18	2.59	30.00	2.62	32.75	2.67	34.53	2.73
		100	24.99	2.52	26.77	2.61	28.56	2.70	29.61	2.74	32.13	2.79	33.91	2.84
		105	24.37	2.62	26.15	2.72	27.93	2.81	29.22	2.85	31.50	2.90	33.29	2.96
110		23.74	2.72	25.53	2.82	27.31	2.93	28.60	2.96	30.88	3.01	32.66	3.07	
115		23.12	2.83	24.90	2.93	26.69	3.04	27.98	3.07	30.26	3.13	32.04	3.19	
118	22.74	2.89	24.53	2.99	26.31	3.10	27.60	3.14	29.88	3.20	31.67	3.26		
122	22.62	2.97	24.40	3.08	26.19	3.19	27.48	3.23	29.76	3.29	31.54	3.35		

TC = Total Capacity (kBtu/h).

PI = Power Input (kW).

Nominal capacity as rated: 0 ft. above sea level with 25 ft. of refrigerant piping.
0 ft. level difference between outdoor and indoor units.

Nominal cooling capacity rating obtained with air entering the indoor unit at 80°F dry bulb (DB) and 67°F wet bulb (WB), and outdoor ambient conditions of 95°F dry bulb (DB) and 75°F wet bulb (WB).

The shaded table columns and rows indicate reference data. When operating at this temperature, these values can be different if the system is not running consistently.

Multi F and Multi F MAX Heat Pump System Engineering Manual

Table 146: LMU36CHV Cooling Capacity Table — Mixed Indoor Units (continued).

Connected Indoor Units	Combination Capacity Index	Outdoor Air Temp. (°F DB)	Indoor Air Temp. °F DB / °F WB											
			68 / 57		73 / 61		77 / 64		80 / 67		86 / 72		90 / 75	
			TC	PI	TC	PI	TC	PI	TC	PI	TC	PI	TC	PI
Three (3) Mixed Indoor Units	9 + 12 + 12	14	29.41	1.64	31.24	1.70	33.06	1.76	34.38	1.78	36.71	1.82	38.54	1.85
		20	29.39	1.67	31.21	1.73	33.04	1.79	34.35	1.81	36.69	1.84	38.51	1.88
		25	29.36	1.69	31.19	1.75	33.01	1.82	34.33	1.84	36.66	1.87	38.48	1.91
		30	29.34	1.71	31.16	1.78	32.99	1.84	34.30	1.86	36.63	1.90	38.45	1.93
		35	29.32	1.74	31.14	1.80	32.96	1.87	34.28	1.89	36.60	1.92	38.42	1.96
		40	29.30	1.76	31.12	1.82	32.94	1.89	34.25	1.91	36.57	1.95	38.39	1.99
		45	29.27	1.78	31.09	1.85	32.91	1.92	34.22	1.94	36.55	1.97	38.36	2.01
		50	29.25	1.81	31.07	1.87	32.89	1.94	34.20	1.96	36.52	2.00	38.34	2.04
		55	29.23	1.83	31.04	1.90	32.86	1.97	34.17	1.99	36.49	2.03	38.31	2.07
		60	29.21	1.85	31.02	1.92	32.83	1.99	34.14	2.02	36.46	2.05	38.28	2.09
		65	29.18	1.88	31.00	1.95	32.81	2.02	34.12	2.04	36.43	2.08	38.25	2.12
		70	29.16	1.90	30.97	1.97	32.78	2.04	34.09	2.07	36.41	2.11	38.22	2.15
		75	28.46	2.00	30.27	2.08	32.07	2.15	33.38	2.18	35.69	2.22	37.49	2.26
		80	27.76	2.11	29.56	2.18	31.36	2.26	32.66	2.29	34.97	2.33	36.77	2.38
		85	27.06	2.21	28.86	2.29	30.66	2.37	31.96	2.40	34.25	2.45	36.05	2.50
		90	26.37	2.31	28.16	2.40	29.95	2.48	31.25	2.51	33.54	2.56	35.33	2.61
		95	25.61	2.41	27.40	2.50	29.18	2.59	30.00	2.62	32.75	2.67	34.53	2.73
		100	24.99	2.52	26.77	2.61	28.56	2.70	29.61	2.74	32.13	2.79	33.91	2.84
		105	24.37	2.62	26.15	2.72	27.93	2.81	29.22	2.85	31.50	2.90	33.29	2.96
		110	23.74	2.72	25.53	2.82	27.31	2.93	28.60	2.96	30.88	3.01	32.66	3.07
		115	23.12	2.83	24.90	2.93	26.69	3.04	27.98	3.07	30.26	3.13	32.04	3.19
	118	22.74	2.89	24.53	2.99	26.31	3.10	27.60	3.14	29.88	3.20	31.67	3.26	
	122	22.62	2.97	24.40	3.08	26.19	3.19	27.48	3.23	29.76	3.29	31.54	3.35	
	7 + 9 + 18	14	29.41	1.64	31.24	1.70	33.06	1.76	34.38	1.78	36.71	1.82	38.54	1.85
		20	29.39	1.67	31.21	1.73	33.04	1.79	34.35	1.81	36.69	1.84	38.51	1.88
		25	29.36	1.69	31.19	1.75	33.01	1.82	34.33	1.84	36.66	1.87	38.48	1.91
		30	29.34	1.71	31.16	1.78	32.99	1.84	34.30	1.86	36.63	1.90	38.45	1.93
		35	29.32	1.74	31.14	1.80	32.96	1.87	34.28	1.89	36.60	1.92	38.42	1.96
		40	29.30	1.76	31.12	1.82	32.94	1.89	34.25	1.91	36.57	1.95	38.39	1.99
		45	29.27	1.78	31.09	1.85	32.91	1.92	34.22	1.94	36.55	1.97	38.36	2.01
		50	29.25	1.81	31.07	1.87	32.89	1.94	34.20	1.96	36.52	2.00	38.34	2.04
		55	29.23	1.83	31.04	1.90	32.86	1.97	34.17	1.99	36.49	2.03	38.31	2.07
		60	29.21	1.85	31.02	1.92	32.83	1.99	34.14	2.02	36.46	2.05	38.28	2.09
		65	29.18	1.88	31.00	1.95	32.81	2.02	34.12	2.04	36.43	2.08	38.25	2.12
		70	29.16	1.90	30.97	1.97	32.78	2.04	34.09	2.07	36.41	2.11	38.22	2.15
		75	28.46	2.00	30.27	2.08	32.07	2.15	33.38	2.18	35.69	2.22	37.49	2.26
		80	27.76	2.11	29.56	2.18	31.36	2.26	32.66	2.29	34.97	2.33	36.77	2.38
		85	27.06	2.21	28.86	2.29	30.66	2.37	31.96	2.40	34.25	2.45	36.05	2.50
		90	26.37	2.31	28.16	2.40	29.95	2.48	31.25	2.51	33.54	2.56	35.33	2.61
		95	25.61	2.41	27.40	2.50	29.18	2.59	30.00	2.62	32.75	2.67	34.53	2.73
		100	24.99	2.52	26.77	2.61	28.56	2.70	29.61	2.74	32.13	2.79	33.91	2.84
		105	24.37	2.62	26.15	2.72	27.93	2.81	29.22	2.85	31.50	2.90	33.29	2.96
110		23.74	2.72	25.53	2.82	27.31	2.93	28.60	2.96	30.88	3.01	32.66	3.07	
115		23.12	2.83	24.90	2.93	26.69	3.04	27.98	3.07	30.26	3.13	32.04	3.19	
118	22.74	2.89	24.53	2.99	26.31	3.10	27.60	3.14	29.88	3.20	31.67	3.26		
122	22.62	2.97	24.40	3.08	26.19	3.19	27.48	3.23	29.76	3.29	31.54	3.35		

TC = Total Capacity (kBtu/h).

PI = Power Input (kW).

Nominal capacity as rated: 0 ft. above sea level with 25 ft. of refrigerant piping.
0 ft. level difference between outdoor and indoor units.

Nominal cooling capacity rating obtained with air entering the indoor unit at 80°F dry bulb (DB) and 67°F wet bulb (WB), and outdoor ambient conditions of 95°F dry bulb (DB) and 75°F wet bulb (WB).

The shaded table columns and rows indicate reference data. When operating at this temperature, these values can be different if the system is not running consistently.

PERFORMANCE DATA

Cooling Capacity Tables

MULTI F
MULTI F MAX

Table 147: LMU36CHV Cooling Capacity Table — Mixed Indoor Units (continued).

Connected Indoor Units	Combination Capacity Index	Outdoor Air Temp. (°F DB)	Indoor Air Temp. °F DB / °F WB											
			68 / 57		73 / 61		77 / 64		80 / 67		86 / 72		90 / 75	
			TC	PI	TC	PI	TC	PI	TC	PI	TC	PI	TC	PI
Three (3) Mixed Indoor Units	7 + 12 + 15	14	29.41	1.64	31.24	1.70	33.06	1.76	34.38	1.78	36.71	1.82	38.54	1.85
		20	29.39	1.67	31.21	1.73	33.04	1.79	34.35	1.81	36.69	1.84	38.51	1.88
		25	29.36	1.69	31.19	1.75	33.01	1.82	34.33	1.84	36.66	1.87	38.48	1.91
		30	29.34	1.71	31.16	1.78	32.99	1.84	34.30	1.86	36.63	1.90	38.45	1.93
		35	29.32	1.74	31.14	1.80	32.96	1.87	34.28	1.89	36.60	1.92	38.42	1.96
		40	29.30	1.76	31.12	1.82	32.94	1.89	34.25	1.91	36.57	1.95	38.39	1.99
		45	29.27	1.78	31.09	1.85	32.91	1.92	34.22	1.94	36.55	1.97	38.36	2.01
		50	29.25	1.81	31.07	1.87	32.89	1.94	34.20	1.96	36.52	2.00	38.34	2.04
		55	29.23	1.83	31.04	1.90	32.86	1.97	34.17	1.99	36.49	2.03	38.31	2.07
		60	29.21	1.85	31.02	1.92	32.83	1.99	34.14	2.02	36.46	2.05	38.28	2.09
		65	29.18	1.88	31.00	1.95	32.81	2.02	34.12	2.04	36.43	2.08	38.25	2.12
		70	29.16	1.90	30.97	1.97	32.78	2.04	34.09	2.07	36.41	2.11	38.22	2.15
		75	28.46	2.00	30.27	2.08	32.07	2.15	33.38	2.18	35.69	2.22	37.49	2.26
		80	27.76	2.11	29.56	2.18	31.36	2.26	32.66	2.29	34.97	2.33	36.77	2.38
		85	27.06	2.21	28.86	2.29	30.66	2.37	31.96	2.40	34.25	2.45	36.05	2.50
		90	26.37	2.31	28.16	2.40	29.95	2.48	31.25	2.51	33.54	2.56	35.33	2.61
		95	25.61	2.41	27.40	2.50	29.18	2.59	30.00	2.62	32.75	2.67	34.53	2.73
		100	24.99	2.52	26.77	2.61	28.56	2.70	29.61	2.74	32.13	2.79	33.91	2.84
		105	24.37	2.62	26.15	2.72	27.93	2.81	29.22	2.85	31.50	2.90	33.29	2.96
		110	23.74	2.72	25.53	2.82	27.31	2.93	28.60	2.96	30.88	3.01	32.66	3.07
		115	23.12	2.83	24.90	2.93	26.69	3.04	27.98	3.07	30.26	3.13	32.04	3.19
	118	22.74	2.89	24.53	2.99	26.31	3.10	27.60	3.14	29.88	3.20	31.67	3.26	
	122	22.62	2.97	24.40	3.08	26.19	3.19	27.48	3.23	29.76	3.29	31.54	3.35	
	9 + 9 + 18	14	29.41	1.64	31.24	1.70	33.06	1.76	34.38	1.78	36.71	1.82	38.54	1.85
		20	29.39	1.67	31.21	1.73	33.04	1.79	34.35	1.81	36.69	1.84	38.51	1.88
		25	29.36	1.69	31.19	1.75	33.01	1.82	34.33	1.84	36.66	1.87	38.48	1.91
		30	29.34	1.71	31.16	1.78	32.99	1.84	34.30	1.86	36.63	1.90	38.45	1.93
		35	29.32	1.74	31.14	1.80	32.96	1.87	34.28	1.89	36.60	1.92	38.42	1.96
		40	29.30	1.76	31.12	1.82	32.94	1.89	34.25	1.91	36.57	1.95	38.39	1.99
		45	29.27	1.78	31.09	1.85	32.91	1.92	34.22	1.94	36.55	1.97	38.36	2.01
		50	29.25	1.81	31.07	1.87	32.89	1.94	34.20	1.96	36.52	2.00	38.34	2.04
		55	29.23	1.83	31.04	1.90	32.86	1.97	34.17	1.99	36.49	2.03	38.31	2.07
		60	29.21	1.85	31.02	1.92	32.83	1.99	34.14	2.02	36.46	2.05	38.28	2.09
		65	29.18	1.88	31.00	1.95	32.81	2.02	34.12	2.04	36.43	2.08	38.25	2.12
		70	29.16	1.90	30.97	1.97	32.78	2.04	34.09	2.07	36.41	2.11	38.22	2.15
		75	28.46	2.00	30.27	2.08	32.07	2.15	33.38	2.18	35.69	2.22	37.49	2.26
		80	27.76	2.11	29.56	2.18	31.36	2.26	32.66	2.29	34.97	2.33	36.77	2.38
		85	27.06	2.21	28.86	2.29	30.66	2.37	31.96	2.40	34.25	2.45	36.05	2.50
		90	26.37	2.31	28.16	2.40	29.95	2.48	31.25	2.51	33.54	2.56	35.33	2.61
		95	25.61	2.41	27.40	2.50	29.18	2.59	30.00	2.62	32.75	2.67	34.53	2.73
		100	24.99	2.52	26.77	2.61	28.56	2.70	29.61	2.74	32.13	2.79	33.91	2.84
		105	24.37	2.62	26.15	2.72	27.93	2.81	29.22	2.85	31.50	2.90	33.29	2.96
110		23.74	2.72	25.53	2.82	27.31	2.93	28.60	2.96	30.88	3.01	32.66	3.07	
115		23.12	2.83	24.90	2.93	26.69	3.04	27.98	3.07	30.26	3.13	32.04	3.19	
118	22.74	2.89	24.53	2.99	26.31	3.10	27.60	3.14	29.88	3.20	31.67	3.26		
122	22.62	2.97	24.40	3.08	26.19	3.19	27.48	3.23	29.76	3.29	31.54	3.35		

TC = Total Capacity (kBtu/h).

PI = Power Input (kW).

Nominal capacity as rated: 0 ft. above sea level with 25 ft. of refrigerant piping.
0 ft. level difference between outdoor and indoor units.

Nominal cooling capacity rating obtained with air entering the indoor unit at 80°F dry bulb (DB) and 67°F wet bulb (WB), and outdoor ambient conditions of 95°F dry bulb (DB) and 75°F wet bulb (WB).

The shaded table columns and rows indicate reference data. When operating at this temperature, these values can be different if the system is not running consistently.

Multi F and Multi F MAX Heat Pump System Engineering Manual

Table 148: LMU36CHV Cooling Capacity Table — Mixed Indoor Units (continued).

Connected Indoor Units	Combination Capacity Index	Outdoor Air Temp. (°F DB)	Indoor Air Temp. °F DB / °F WB											
			68 / 57		73 / 61		77 / 64		80 / 67		86 / 72		90 / 75	
			TC	PI	TC	PI	TC	PI	TC	PI	TC	PI	TC	PI
Three (3) Mixed Indoor Units	9 + 12 + 15	14	29.41	1.64	31.24	1.70	33.06	1.76	34.38	1.78	36.71	1.82	38.54	1.85
		20	29.39	1.67	31.21	1.73	33.04	1.79	34.35	1.81	36.69	1.84	38.51	1.88
		25	29.36	1.69	31.19	1.75	33.01	1.82	34.33	1.84	36.66	1.87	38.48	1.91
		30	29.34	1.71	31.16	1.78	32.99	1.84	34.30	1.86	36.63	1.90	38.45	1.93
		35	29.32	1.74	31.14	1.80	32.96	1.87	34.28	1.89	36.60	1.92	38.42	1.96
		40	29.30	1.76	31.12	1.82	32.94	1.89	34.25	1.91	36.57	1.95	38.39	1.99
		45	29.27	1.78	31.09	1.85	32.91	1.92	34.22	1.94	36.55	1.97	38.36	2.01
		50	29.25	1.81	31.07	1.87	32.89	1.94	34.20	1.96	36.52	2.00	38.34	2.04
		55	29.23	1.83	31.04	1.90	32.86	1.97	34.17	1.99	36.49	2.03	38.31	2.07
		60	29.21	1.85	31.02	1.92	32.83	1.99	34.14	2.02	36.46	2.05	38.28	2.09
		65	29.18	1.88	31.00	1.95	32.81	2.02	34.12	2.04	36.43	2.08	38.25	2.12
		70	29.16	1.90	30.97	1.97	32.78	2.04	34.09	2.07	36.41	2.11	38.22	2.15
		75	28.46	2.00	30.27	2.08	32.07	2.15	33.38	2.18	35.69	2.22	37.49	2.26
		80	27.76	2.11	29.56	2.18	31.36	2.26	32.66	2.29	34.97	2.33	36.77	2.38
		85	27.06	2.21	28.86	2.29	30.66	2.37	31.96	2.40	34.25	2.45	36.05	2.50
		90	26.37	2.31	28.16	2.40	29.95	2.48	31.25	2.51	33.54	2.56	35.33	2.61
		95	25.61	2.41	27.40	2.50	29.18	2.59	30.00	2.62	32.75	2.67	34.53	2.73
		100	24.99	2.52	26.77	2.61	28.56	2.70	29.61	2.74	32.13	2.79	33.91	2.84
		105	24.37	2.62	26.15	2.72	27.93	2.81	29.22	2.85	31.50	2.90	33.29	2.96
		110	23.74	2.72	25.53	2.82	27.31	2.93	28.60	2.96	30.88	3.01	32.66	3.07
		115	23.12	2.83	24.90	2.93	26.69	3.04	27.98	3.07	30.26	3.13	32.04	3.19
	118	22.74	2.89	24.53	2.99	26.31	3.10	27.60	3.14	29.88	3.20	31.67	3.26	
	122	22.62	2.97	24.40	3.08	26.19	3.19	27.48	3.23	29.76	3.29	31.54	3.35	
	12 + 12 + 12	14	29.41	1.64	31.24	1.70	33.06	1.76	34.38	1.78	36.71	1.82	38.54	1.85
		20	29.39	1.67	31.21	1.73	33.04	1.79	34.35	1.81	36.69	1.84	38.51	1.88
		25	29.36	1.69	31.19	1.75	33.01	1.82	34.33	1.84	36.66	1.87	38.48	1.91
		30	29.34	1.71	31.16	1.78	32.99	1.84	34.30	1.86	36.63	1.90	38.45	1.93
		35	29.32	1.74	31.14	1.80	32.96	1.87	34.28	1.89	36.60	1.92	38.42	1.96
		40	29.30	1.76	31.12	1.82	32.94	1.89	34.25	1.91	36.57	1.95	38.39	1.99
		45	29.27	1.78	31.09	1.85	32.91	1.92	34.22	1.94	36.55	1.97	38.36	2.01
		50	29.25	1.81	31.07	1.87	32.89	1.94	34.20	1.96	36.52	2.00	38.34	2.04
		55	29.23	1.83	31.04	1.90	32.86	1.97	34.17	1.99	36.49	2.03	38.31	2.07
		60	29.21	1.85	31.02	1.92	32.83	1.99	34.14	2.02	36.46	2.05	38.28	2.09
		65	29.18	1.88	31.00	1.95	32.81	2.02	34.12	2.04	36.43	2.08	38.25	2.12
		70	29.16	1.90	30.97	1.97	32.78	2.04	34.09	2.07	36.41	2.11	38.22	2.15
		75	28.46	2.00	30.27	2.08	32.07	2.15	33.38	2.18	35.69	2.22	37.49	2.26
		80	27.76	2.11	29.56	2.18	31.36	2.26	32.66	2.29	34.97	2.33	36.77	2.38
		85	27.06	2.21	28.86	2.29	30.66	2.37	31.96	2.40	34.25	2.45	36.05	2.50
		90	26.37	2.31	28.16	2.40	29.95	2.48	31.25	2.51	33.54	2.56	35.33	2.61
		95	25.61	2.41	27.40	2.50	29.18	2.59	30.00	2.62	32.75	2.67	34.53	2.73
		100	24.99	2.52	26.77	2.61	28.56	2.70	29.61	2.74	32.13	2.79	33.91	2.84
		105	24.37	2.62	26.15	2.72	27.93	2.81	29.22	2.85	31.50	2.90	33.29	2.96
110		23.74	2.72	25.53	2.82	27.31	2.93	28.60	2.96	30.88	3.01	32.66	3.07	
115		23.12	2.83	24.90	2.93	26.69	3.04	27.98	3.07	30.26	3.13	32.04	3.19	
118	22.74	2.89	24.53	2.99	26.31	3.10	27.60	3.14	29.88	3.20	31.67	3.26		
122	22.62	2.97	24.40	3.08	26.19	3.19	27.48	3.23	29.76	3.29	31.54	3.35		

TC = Total Capacity (kBtu/h).

PI = Power Input (kW).

Nominal capacity as rated: 0 ft. above sea level with 25 ft. of refrigerant piping.
0 ft. level difference between outdoor and indoor units.

Nominal cooling capacity rating obtained with air entering the indoor unit at 80°F dry bulb (DB) and 67°F wet bulb (WB), and outdoor ambient conditions of 95°F dry bulb (DB) and 75°F wet bulb (WB).

The shaded table columns and rows indicate reference data. When operating at this temperature, these values can be different if the system is not running consistently.

PERFORMANCE DATA

Cooling Capacity Tables

MULTI F
MULTI F MAX

Table 149: LMU36CHV Cooling Capacity Table — Mixed Indoor Units (continued).

Connected Indoor Units	Combination Capacity Index	Outdoor Air Temp. (°F DB)	Indoor Air Temp. °F DB / °F WB											
			68 / 57		73 / 61		77 / 64		80 / 67		86 / 72		90 / 75	
			TC	PI	TC	PI	TC	PI	TC	PI	TC	PI	TC	PI
Three (3) Mixed Indoor Units	7 + 12 + 18	14	29.41	1.64	31.24	1.70	33.06	1.76	34.38	1.78	36.71	1.82	38.54	1.85
		20	29.39	1.67	31.21	1.73	33.04	1.79	34.35	1.81	36.69	1.84	38.51	1.88
		25	29.36	1.69	31.19	1.75	33.01	1.82	34.33	1.84	36.66	1.87	38.48	1.91
		30	29.34	1.71	31.16	1.78	32.99	1.84	34.30	1.86	36.63	1.90	38.45	1.93
		35	29.32	1.74	31.14	1.80	32.96	1.87	34.28	1.89	36.60	1.92	38.42	1.96
		40	29.30	1.76	31.12	1.82	32.94	1.89	34.25	1.91	36.57	1.95	38.39	1.99
		45	29.27	1.78	31.09	1.85	32.91	1.92	34.22	1.94	36.55	1.97	38.36	2.01
		50	29.25	1.81	31.07	1.87	32.89	1.94	34.20	1.96	36.52	2.00	38.34	2.04
		55	29.23	1.83	31.04	1.90	32.86	1.97	34.17	1.99	36.49	2.03	38.31	2.07
		60	29.21	1.85	31.02	1.92	32.83	1.99	34.14	2.02	36.46	2.05	38.28	2.09
		65	29.18	1.88	31.00	1.95	32.81	2.02	34.12	2.04	36.43	2.08	38.25	2.12
		70	29.16	1.90	30.97	1.97	32.78	2.04	34.09	2.07	36.41	2.11	38.22	2.15
		75	28.46	2.00	30.27	2.08	32.07	2.15	33.38	2.18	35.69	2.22	37.49	2.26
		80	27.76	2.11	29.56	2.18	31.36	2.26	32.66	2.29	34.97	2.33	36.77	2.38
		85	27.06	2.21	28.86	2.29	30.66	2.37	31.96	2.40	34.25	2.45	36.05	2.50
		90	26.37	2.31	28.16	2.40	29.95	2.48	31.25	2.51	33.54	2.56	35.33	2.61
		95	25.61	2.41	27.40	2.50	29.18	2.59	30.00	2.62	32.75	2.67	34.53	2.73
		100	24.99	2.52	26.77	2.61	28.56	2.70	29.61	2.74	32.13	2.79	33.91	2.84
		105	24.37	2.62	26.15	2.72	27.93	2.81	29.22	2.85	31.50	2.90	33.29	2.96
		110	23.74	2.72	25.53	2.82	27.31	2.93	28.60	2.96	30.88	3.01	32.66	3.07
		115	23.12	2.83	24.90	2.93	26.69	3.04	27.98	3.07	30.26	3.13	32.04	3.19
	118	22.74	2.89	24.53	2.99	26.31	3.10	27.60	3.14	29.88	3.20	31.67	3.26	
	122	22.62	2.97	24.40	3.08	26.19	3.19	27.48	3.23	29.76	3.29	31.54	3.35	
	7 + 7 + 24	14	29.41	1.64	31.24	1.70	33.06	1.76	34.38	1.78	36.71	1.82	38.54	1.85
		20	29.39	1.67	31.21	1.73	33.04	1.79	34.35	1.81	36.69	1.84	38.51	1.88
		25	29.36	1.69	31.19	1.75	33.01	1.82	34.33	1.84	36.66	1.87	38.48	1.91
		30	29.34	1.71	31.16	1.78	32.99	1.84	34.30	1.86	36.63	1.90	38.45	1.93
		35	29.32	1.74	31.14	1.80	32.96	1.87	34.28	1.89	36.60	1.92	38.42	1.96
		40	29.30	1.76	31.12	1.82	32.94	1.89	34.25	1.91	36.57	1.95	38.39	1.99
		45	29.27	1.78	31.09	1.85	32.91	1.92	34.22	1.94	36.55	1.97	38.36	2.01
		50	29.25	1.81	31.07	1.87	32.89	1.94	34.20	1.96	36.52	2.00	38.34	2.04
		55	29.23	1.83	31.04	1.90	32.86	1.97	34.17	1.99	36.49	2.03	38.31	2.07
		60	29.21	1.85	31.02	1.92	32.83	1.99	34.14	2.02	36.46	2.05	38.28	2.09
		65	29.18	1.88	31.00	1.95	32.81	2.02	34.12	2.04	36.43	2.08	38.25	2.12
		70	29.16	1.90	30.97	1.97	32.78	2.04	34.09	2.07	36.41	2.11	38.22	2.15
		75	28.46	2.00	30.27	2.08	32.07	2.15	33.38	2.18	35.69	2.22	37.49	2.26
		80	27.76	2.11	29.56	2.18	31.36	2.26	32.66	2.29	34.97	2.33	36.77	2.38
		85	27.06	2.21	28.86	2.29	30.66	2.37	31.96	2.40	34.25	2.45	36.05	2.50
		90	26.37	2.31	28.16	2.40	29.95	2.48	31.25	2.51	33.54	2.56	35.33	2.61
		95	25.61	2.41	27.40	2.50	29.18	2.59	30.00	2.62	32.75	2.67	34.53	2.73
		100	24.99	2.52	26.77	2.61	28.56	2.70	29.61	2.74	32.13	2.79	33.91	2.84
		105	24.37	2.62	26.15	2.72	27.93	2.81	29.22	2.85	31.50	2.90	33.29	2.96
110		23.74	2.72	25.53	2.82	27.31	2.93	28.60	2.96	30.88	3.01	32.66	3.07	
115		23.12	2.83	24.90	2.93	26.69	3.04	27.98	3.07	30.26	3.13	32.04	3.19	
118	22.74	2.89	24.53	2.99	26.31	3.10	27.60	3.14	29.88	3.20	31.67	3.26		
122	22.62	2.97	24.40	3.08	26.19	3.19	27.48	3.23	29.76	3.29	31.54	3.35		

TC = Total Capacity (kBtu/h).

PI = Power Input (kW).

Nominal capacity as rated: 0 ft. above sea level with 25 ft. of refrigerant piping.
0 ft. level difference between outdoor and indoor units.

Nominal cooling capacity rating obtained with air entering the indoor unit at 80°F dry bulb (DB) and 67°F wet bulb (WB), and outdoor ambient conditions of 95°F dry bulb (DB) and 75°F wet bulb (WB).

The shaded table columns and rows indicate reference data. When operating at this temperature, these values can be different if the system is not running consistently.

Multi F and Multi F MAX Heat Pump System Engineering Manual

Table 150: LMU36CHV Cooling Capacity Table — Mixed Indoor Units (continued).

Connected Indoor Units	Combination Capacity Index	Outdoor Air Temp. (°F DB)	Indoor Air Temp. °F DB / °F WB											
			68 / 57		73 / 61		77 / 64		80 / 67		86 / 72		90 / 75	
			TC	PI	TC	PI	TC	PI	TC	PI	TC	PI	TC	PI
Three (3) Mixed Indoor Units	9 + 12 + 18	14	29.41	1.64	31.24	1.70	33.06	1.76	34.38	1.78	36.71	1.82	38.54	1.85
		20	29.39	1.67	31.21	1.73	33.04	1.79	34.35	1.81	36.69	1.84	38.51	1.88
		25	29.36	1.69	31.19	1.75	33.01	1.82	34.33	1.84	36.66	1.87	38.48	1.91
		30	29.34	1.71	31.16	1.78	32.99	1.84	34.30	1.86	36.63	1.90	38.45	1.93
		35	29.32	1.74	31.14	1.80	32.96	1.87	34.28	1.89	36.60	1.92	38.42	1.96
		40	29.30	1.76	31.12	1.82	32.94	1.89	34.25	1.91	36.57	1.95	38.39	1.99
		45	29.27	1.78	31.09	1.85	32.91	1.92	34.22	1.94	36.55	1.97	38.36	2.01
		50	29.25	1.81	31.07	1.87	32.89	1.94	34.20	1.96	36.52	2.00	38.34	2.04
		55	29.23	1.83	31.04	1.90	32.86	1.97	34.17	1.99	36.49	2.03	38.31	2.07
		60	29.21	1.85	31.02	1.92	32.83	1.99	34.14	2.02	36.46	2.05	38.28	2.09
		65	29.18	1.88	31.00	1.95	32.81	2.02	34.12	2.04	36.43	2.08	38.25	2.12
		70	29.16	1.90	30.97	1.97	32.78	2.04	34.09	2.07	36.41	2.11	38.22	2.15
		75	28.46	2.00	30.27	2.08	32.07	2.15	33.38	2.18	35.69	2.22	37.49	2.26
		80	27.76	2.11	29.56	2.18	31.36	2.26	32.66	2.29	34.97	2.33	36.77	2.38
		85	27.06	2.21	28.86	2.29	30.66	2.37	31.96	2.40	34.25	2.45	36.05	2.50
		90	26.37	2.31	28.16	2.40	29.95	2.48	31.25	2.51	33.54	2.56	35.33	2.61
		95	25.61	2.41	27.40	2.50	29.18	2.59	30.00	2.62	32.75	2.67	34.53	2.73
		100	24.99	2.52	26.77	2.61	28.56	2.70	29.61	2.74	32.13	2.79	33.91	2.84
		105	24.37	2.62	26.15	2.72	27.93	2.81	29.22	2.85	31.50	2.90	33.29	2.96
		110	23.74	2.72	25.53	2.82	27.31	2.93	28.60	2.96	30.88	3.01	32.66	3.07
		115	23.12	2.83	24.90	2.93	26.69	3.04	27.98	3.07	30.26	3.13	32.04	3.19
	118	22.74	2.89	24.53	2.99	26.31	3.10	27.60	3.14	29.88	3.20	31.67	3.26	
	122	22.62	2.97	24.40	3.08	26.19	3.19	27.48	3.23	29.76	3.29	31.54	3.35	
	9 + 15 + 15	14	29.41	1.64	31.24	1.70	33.06	1.76	34.38	1.78	36.71	1.82	38.54	1.85
		20	29.39	1.67	31.21	1.73	33.04	1.79	34.35	1.81	36.69	1.84	38.51	1.88
		25	29.36	1.69	31.19	1.75	33.01	1.82	34.33	1.84	36.66	1.87	38.48	1.91
		30	29.34	1.71	31.16	1.78	32.99	1.84	34.30	1.86	36.63	1.90	38.45	1.93
		35	29.32	1.74	31.14	1.80	32.96	1.87	34.28	1.89	36.60	1.92	38.42	1.96
		40	29.30	1.76	31.12	1.82	32.94	1.89	34.25	1.91	36.57	1.95	38.39	1.99
		45	29.27	1.78	31.09	1.85	32.91	1.92	34.22	1.94	36.55	1.97	38.36	2.01
		50	29.25	1.81	31.07	1.87	32.89	1.94	34.20	1.96	36.52	2.00	38.34	2.04
		55	29.23	1.83	31.04	1.90	32.86	1.97	34.17	1.99	36.49	2.03	38.31	2.07
		60	29.21	1.85	31.02	1.92	32.83	1.99	34.14	2.02	36.46	2.05	38.28	2.09
		65	29.18	1.88	31.00	1.95	32.81	2.02	34.12	2.04	36.43	2.08	38.25	2.12
		70	29.16	1.90	30.97	1.97	32.78	2.04	34.09	2.07	36.41	2.11	38.22	2.15
		75	28.46	2.00	30.27	2.08	32.07	2.15	33.38	2.18	35.69	2.22	37.49	2.26
		80	27.76	2.11	29.56	2.18	31.36	2.26	32.66	2.29	34.97	2.33	36.77	2.38
		85	27.06	2.21	28.86	2.29	30.66	2.37	31.96	2.40	34.25	2.45	36.05	2.50
		90	26.37	2.31	28.16	2.40	29.95	2.48	31.25	2.51	33.54	2.56	35.33	2.61
		95	25.61	2.41	27.40	2.50	29.18	2.59	30.00	2.62	32.75	2.67	34.53	2.73
		100	24.99	2.52	26.77	2.61	28.56	2.70	29.61	2.74	32.13	2.79	33.91	2.84
		105	24.37	2.62	26.15	2.72	27.93	2.81	29.22	2.85	31.50	2.90	33.29	2.96
110		23.74	2.72	25.53	2.82	27.31	2.93	28.60	2.96	30.88	3.01	32.66	3.07	
115		23.12	2.83	24.90	2.93	26.69	3.04	27.98	3.07	30.26	3.13	32.04	3.19	
118	22.74	2.89	24.53	2.99	26.31	3.10	27.60	3.14	29.88	3.20	31.67	3.26		
122	22.62	2.97	24.40	3.08	26.19	3.19	27.48	3.23	29.76	3.29	31.54	3.35		

TC = Total Capacity (kBtu/h).

PI = Power Input (kW).

Nominal capacity as rated: 0 ft. above sea level with 25 ft. of refrigerant piping.
0 ft. level difference between outdoor and indoor units.

Nominal cooling capacity rating obtained with air entering the indoor unit at 80°F dry bulb (DB) and 67°F wet bulb (WB), and outdoor ambient conditions of 95°F dry bulb (DB) and 75°F wet bulb (WB).

The shaded table columns and rows indicate reference data. When operating at this temperature, these values can be different if the system is not running consistently.

PERFORMANCE DATA

Cooling Capacity Tables

MULTI F
MULTI F MAX

Table 151: LMU36CHV Cooling Capacity Table — Mixed Indoor Units (continued).

Connected Indoor Units	Combination Capacity Index	Outdoor Air Temp. (°F DB)	Indoor Air Temp. °F DB / °F WB											
			68 / 57		73 / 61		77 / 64		80 / 67		86 / 72		90 / 75	
			TC	PI	TC	PI	TC	PI	TC	PI	TC	PI	TC	PI
Three (3) Mixed Indoor Units	12 + 12 + 15	14	29.41	1.64	31.24	1.70	33.06	1.76	34.38	1.78	36.71	1.82	38.54	1.85
		20	29.39	1.67	31.21	1.73	33.04	1.79	34.35	1.81	36.69	1.84	38.51	1.88
		25	29.36	1.69	31.19	1.75	33.01	1.82	34.33	1.84	36.66	1.87	38.48	1.91
		30	29.34	1.71	31.16	1.78	32.99	1.84	34.30	1.86	36.63	1.90	38.45	1.93
		35	29.32	1.74	31.14	1.80	32.96	1.87	34.28	1.89	36.60	1.92	38.42	1.96
		40	29.30	1.76	31.12	1.82	32.94	1.89	34.25	1.91	36.57	1.95	38.39	1.99
		45	29.27	1.78	31.09	1.85	32.91	1.92	34.22	1.94	36.55	1.97	38.36	2.01
		50	29.25	1.81	31.07	1.87	32.89	1.94	34.20	1.96	36.52	2.00	38.34	2.04
		55	29.23	1.83	31.04	1.90	32.86	1.97	34.17	1.99	36.49	2.03	38.31	2.07
		60	29.21	1.85	31.02	1.92	32.83	1.99	34.14	2.02	36.46	2.05	38.28	2.09
		65	29.18	1.88	31.00	1.95	32.81	2.02	34.12	2.04	36.43	2.08	38.25	2.12
		70	29.16	1.90	30.97	1.97	32.78	2.04	34.09	2.07	36.41	2.11	38.22	2.15
		75	28.46	2.00	30.27	2.08	32.07	2.15	33.38	2.18	35.69	2.22	37.49	2.26
		80	27.76	2.11	29.56	2.18	31.36	2.26	32.66	2.29	34.97	2.33	36.77	2.38
		85	27.06	2.21	28.86	2.29	30.66	2.37	31.96	2.40	34.25	2.45	36.05	2.50
		90	26.37	2.31	28.16	2.40	29.95	2.48	31.25	2.51	33.54	2.56	35.33	2.61
		95	25.61	2.41	27.40	2.50	29.18	2.59	30.00	2.62	32.75	2.67	34.53	2.73
		100	24.99	2.52	26.77	2.61	28.56	2.70	29.61	2.74	32.13	2.79	33.91	2.84
		105	24.37	2.62	26.15	2.72	27.93	2.81	29.22	2.85	31.50	2.90	33.29	2.96
		110	23.74	2.72	25.53	2.82	27.31	2.93	28.60	2.96	30.88	3.01	32.66	3.07
		115	23.12	2.83	24.90	2.93	26.69	3.04	27.98	3.07	30.26	3.13	32.04	3.19
	118	22.74	2.89	24.53	2.99	26.31	3.10	27.60	3.14	29.88	3.20	31.67	3.26	
	122	22.62	2.97	24.40	3.08	26.19	3.19	27.48	3.23	29.76	3.29	31.54	3.35	
	7 + 9 + 24	14	29.41	1.64	31.24	1.70	33.06	1.76	34.38	1.78	36.71	1.82	38.54	1.85
		20	29.39	1.67	31.21	1.73	33.04	1.79	34.35	1.81	36.69	1.84	38.51	1.88
		25	29.36	1.69	31.19	1.75	33.01	1.82	34.33	1.84	36.66	1.87	38.48	1.91
		30	29.34	1.71	31.16	1.78	32.99	1.84	34.30	1.86	36.63	1.90	38.45	1.93
		35	29.32	1.74	31.14	1.80	32.96	1.87	34.28	1.89	36.60	1.92	38.42	1.96
		40	29.30	1.76	31.12	1.82	32.94	1.89	34.25	1.91	36.57	1.95	38.39	1.99
		45	29.27	1.78	31.09	1.85	32.91	1.92	34.22	1.94	36.55	1.97	38.36	2.01
		50	29.25	1.81	31.07	1.87	32.89	1.94	34.20	1.96	36.52	2.00	38.34	2.04
		55	29.23	1.83	31.04	1.90	32.86	1.97	34.17	1.99	36.49	2.03	38.31	2.07
		60	29.21	1.85	31.02	1.92	32.83	1.99	34.14	2.02	36.46	2.05	38.28	2.09
		65	29.18	1.88	31.00	1.95	32.81	2.02	34.12	2.04	36.43	2.08	38.25	2.12
		70	29.16	1.90	30.97	1.97	32.78	2.04	34.09	2.07	36.41	2.11	38.22	2.15
		75	28.46	2.00	30.27	2.08	32.07	2.15	33.38	2.18	35.69	2.22	37.49	2.26
		80	27.76	2.11	29.56	2.18	31.36	2.26	32.66	2.29	34.97	2.33	36.77	2.38
		85	27.06	2.21	28.86	2.29	30.66	2.37	31.96	2.40	34.25	2.45	36.05	2.50
		90	26.37	2.31	28.16	2.40	29.95	2.48	31.25	2.51	33.54	2.56	35.33	2.61
		95	25.61	2.41	27.40	2.50	29.18	2.59	30.00	2.62	32.75	2.67	34.53	2.73
		100	24.99	2.52	26.77	2.61	28.56	2.70	29.61	2.74	32.13	2.79	33.91	2.84
		105	24.37	2.62	26.15	2.72	27.93	2.81	29.22	2.85	31.50	2.90	33.29	2.96
110		23.74	2.72	25.53	2.82	27.31	2.93	28.60	2.96	30.88	3.01	32.66	3.07	
115		23.12	2.83	24.90	2.93	26.69	3.04	27.98	3.07	30.26	3.13	32.04	3.19	
118	22.74	2.89	24.53	2.99	26.31	3.10	27.60	3.14	29.88	3.20	31.67	3.26		
122	22.62	2.97	24.40	3.08	26.19	3.19	27.48	3.23	29.76	3.29	31.54	3.35		

TC = Total Capacity (kBtu/h).

PI = Power Input (kW).

Nominal capacity as rated: 0 ft. above sea level with 25 ft. of refrigerant piping.
0 ft. level difference between outdoor and indoor units.

Nominal cooling capacity rating obtained with air entering the indoor unit at 80°F dry bulb (DB) and 67°F wet bulb (WB), and outdoor ambient conditions of 95°F dry bulb (DB) and 75°F wet bulb (WB).

The shaded table columns and rows indicate reference data. When operating at this temperature, these values can be different if the system is not running consistently.

Multi F and Multi F MAX Heat Pump System Engineering Manual

Table 152: LMU36CHV Cooling Capacity Table — Mixed Indoor Units (continued).

Connected Indoor Units	Combination Capacity Index	Outdoor Air Temp. (°F DB)	Indoor Air Temp. °F DB / °F WB											
			68 / 57		73 / 61		77 / 64		80 / 67		86 / 72		90 / 75	
			TC	PI	TC	PI	TC	PI	TC	PI	TC	PI	TC	PI
Three (3) Mixed Indoor Units	7 + 15 + 18	14	29.41	1.64	31.24	1.70	33.06	1.76	34.38	1.78	36.71	1.82	38.54	1.85
		20	29.39	1.67	31.21	1.73	33.04	1.79	34.35	1.81	36.69	1.84	38.51	1.88
		25	29.36	1.69	31.19	1.75	33.01	1.82	34.33	1.84	36.66	1.87	38.48	1.91
		30	29.34	1.71	31.16	1.78	32.99	1.84	34.30	1.86	36.63	1.90	38.45	1.93
		35	29.32	1.74	31.14	1.80	32.96	1.87	34.28	1.89	36.60	1.92	38.42	1.96
		40	29.30	1.76	31.12	1.82	32.94	1.89	34.25	1.91	36.57	1.95	38.39	1.99
		45	29.27	1.78	31.09	1.85	32.91	1.92	34.22	1.94	36.55	1.97	38.36	2.01
		50	29.25	1.81	31.07	1.87	32.89	1.94	34.20	1.96	36.52	2.00	38.34	2.04
		55	29.23	1.83	31.04	1.90	32.86	1.97	34.17	1.99	36.49	2.03	38.31	2.07
		60	29.21	1.85	31.02	1.92	32.83	1.99	34.14	2.02	36.46	2.05	38.28	2.09
		65	29.18	1.88	31.00	1.95	32.81	2.02	34.12	2.04	36.43	2.08	38.25	2.12
		70	29.16	1.90	30.97	1.97	32.78	2.04	34.09	2.07	36.41	2.11	38.22	2.15
		75	28.46	2.00	30.27	2.08	32.07	2.15	33.38	2.18	35.69	2.22	37.49	2.26
		80	27.76	2.11	29.56	2.18	31.36	2.26	32.66	2.29	34.97	2.33	36.77	2.38
		85	27.06	2.21	28.86	2.29	30.66	2.37	31.96	2.40	34.25	2.45	36.05	2.50
		90	26.37	2.31	28.16	2.40	29.95	2.48	31.25	2.51	33.54	2.56	35.33	2.61
		95	25.61	2.41	27.40	2.50	29.18	2.59	30.00	2.62	32.75	2.67	34.53	2.73
		100	24.99	2.52	26.77	2.61	28.56	2.70	29.61	2.74	32.13	2.79	33.91	2.84
		105	24.37	2.62	26.15	2.72	27.93	2.81	29.22	2.85	31.50	2.90	33.29	2.96
		110	23.74	2.72	25.53	2.82	27.31	2.93	28.60	2.96	30.88	3.01	32.66	3.07
		115	23.12	2.83	24.90	2.93	26.69	3.04	27.98	3.07	30.26	3.13	32.04	3.19
		118	22.74	2.89	24.53	2.99	26.31	3.10	27.60	3.14	29.88	3.20	31.67	3.26
	122	22.62	2.97	24.40	3.08	26.19	3.19	27.48	3.23	29.76	3.29	31.54	3.35	
	9 + 9 + 24*	14	29.41	1.64	31.24	1.70	33.06	1.76	34.38	1.78	36.71	1.82	38.54	1.85
		20	29.39	1.67	31.21	1.73	33.04	1.79	34.35	1.81	36.69	1.84	38.51	1.88
		25	29.36	1.69	31.19	1.75	33.01	1.82	34.33	1.84	36.66	1.87	38.48	1.91
		30	29.34	1.71	31.16	1.78	32.99	1.84	34.30	1.86	36.63	1.90	38.45	1.93
		35	29.32	1.74	31.14	1.80	32.96	1.87	34.28	1.89	36.60	1.92	38.42	1.96
		40	29.30	1.76	31.12	1.82	32.94	1.89	34.25	1.91	36.57	1.95	38.39	1.99
		45	29.27	1.78	31.09	1.85	32.91	1.92	34.22	1.94	36.55	1.97	38.36	2.01
		50	29.25	1.81	31.07	1.87	32.89	1.94	34.20	1.96	36.52	2.00	38.34	2.04
		55	29.23	1.83	31.04	1.90	32.86	1.97	34.17	1.99	36.49	2.03	38.31	2.07
		60	29.21	1.85	31.02	1.92	32.83	1.99	34.14	2.02	36.46	2.05	38.28	2.09
		65	29.18	1.88	31.00	1.95	32.81	2.02	34.12	2.04	36.43	2.08	38.25	2.12
		70	29.16	1.90	30.97	1.97	32.78	2.04	34.09	2.07	36.41	2.11	38.22	2.15
		75	28.46	2.00	30.27	2.08	32.07	2.15	33.38	2.18	35.69	2.22	37.49	2.26
		80	27.76	2.11	29.56	2.18	31.36	2.26	32.66	2.29	34.97	2.33	36.77	2.38
		85	27.06	2.21	28.86	2.29	30.66	2.37	31.96	2.40	34.25	2.45	36.05	2.50
		90	26.37	2.31	28.16	2.40	29.95	2.48	31.25	2.51	33.54	2.56	35.33	2.61
		95	25.61	2.41	27.40	2.50	29.18	2.59	30.00	2.62	32.75	2.67	34.53	2.73
		100	24.99	2.52	26.77	2.61	28.56	2.70	29.61	2.74	32.13	2.79	33.91	2.84
		105	24.37	2.62	26.15	2.72	27.93	2.81	29.22	2.85	31.50	2.90	33.29	2.96
110		23.74	2.72	25.53	2.82	27.31	2.93	28.60	2.96	30.88	3.01	32.66	3.07	
115		23.12	2.83	24.90	2.93	26.69	3.04	27.98	3.07	30.26	3.13	32.04	3.19	
118		22.74	2.89	24.53	2.99	26.31	3.10	27.60	3.14	29.88	3.20	31.67	3.26	
122	22.62	2.97	24.40	3.08	26.19	3.19	27.48	3.23	29.76	3.29	31.54	3.35		

TC = Total Capacity (kBtu/h).

PI = Power Input (kW).

Nominal capacity as rated: 0 ft. above sea level with 25 ft. of refrigerant piping.
0 ft. level difference between outdoor and indoor units.

Nominal cooling capacity rating obtained with air entering the indoor unit at 80°F dry bulb (DB) and 67°F wet bulb (WB), and outdoor ambient conditions of 95°F dry bulb (DB) and 75°F wet bulb (WB).

The shaded table columns and rows indicate reference data. When operating at this temperature, these values can be different if the system is not running consistently.

*The indoor unit must be non-ducted type.

PERFORMANCE DATA

Cooling Capacity Tables

MULTI F
MULTI F MAX

Table 153: LMU36CHV Cooling Capacity Table — Mixed Indoor Units (continued).

Connected Indoor Units	Combination Capacity Index	Outdoor Air Temp. (°F DB)	Indoor Air Temp. °F DB / °F WB											
			68 / 57		73 / 61		77 / 64		80 / 67		86 / 72		90 / 75	
			TC	PI	TC	PI	TC	PI	TC	PI	TC	PI	TC	PI
Three (3) Mixed Indoor Units	9 + 15 + 18	14	29.41	1.64	31.24	1.70	33.06	1.76	34.38	1.78	36.71	1.82	38.54	1.85
		20	29.39	1.67	31.21	1.73	33.04	1.79	34.35	1.81	36.69	1.84	38.51	1.88
		25	29.36	1.69	31.19	1.75	33.01	1.82	34.33	1.84	36.66	1.87	38.48	1.91
		30	29.34	1.71	31.16	1.78	32.99	1.84	34.30	1.86	36.63	1.90	38.45	1.93
		35	29.32	1.74	31.14	1.80	32.96	1.87	34.28	1.89	36.60	1.92	38.42	1.96
		40	29.30	1.76	31.12	1.82	32.94	1.89	34.25	1.91	36.57	1.95	38.39	1.99
		45	29.27	1.78	31.09	1.85	32.91	1.92	34.22	1.94	36.55	1.97	38.36	2.01
		50	29.25	1.81	31.07	1.87	32.89	1.94	34.20	1.96	36.52	2.00	38.34	2.04
		55	29.23	1.83	31.04	1.90	32.86	1.97	34.17	1.99	36.49	2.03	38.31	2.07
		60	29.21	1.85	31.02	1.92	32.83	1.99	34.14	2.02	36.46	2.05	38.28	2.09
		65	29.18	1.88	31.00	1.95	32.81	2.02	34.12	2.04	36.43	2.08	38.25	2.12
		70	29.16	1.90	30.97	1.97	32.78	2.04	34.09	2.07	36.41	2.11	38.22	2.15
		75	28.46	2.00	30.27	2.08	32.07	2.15	33.38	2.18	35.69	2.22	37.49	2.26
		80	27.76	2.11	29.56	2.18	31.36	2.26	32.66	2.29	34.97	2.33	36.77	2.38
		85	27.06	2.21	28.86	2.29	30.66	2.37	31.96	2.40	34.25	2.45	36.05	2.50
		90	26.37	2.31	28.16	2.40	29.95	2.48	31.25	2.51	33.54	2.56	35.33	2.61
		95	25.61	2.41	27.40	2.50	29.18	2.59	30.00	2.62	32.75	2.67	34.53	2.73
		100	24.99	2.52	26.77	2.61	28.56	2.70	29.61	2.74	32.13	2.79	33.91	2.84
		105	24.37	2.62	26.15	2.72	27.93	2.81	29.22	2.85	31.50	2.90	33.29	2.96
		110	23.74	2.72	25.53	2.82	27.31	2.93	28.60	2.96	30.88	3.01	32.66	3.07
		115	23.12	2.83	24.90	2.93	26.69	3.04	27.98	3.07	30.26	3.13	32.04	3.19
	118	22.74	2.89	24.53	2.99	26.31	3.10	27.60	3.14	29.88	3.20	31.67	3.26	
	122	22.62	2.97	24.40	3.08	26.19	3.19	27.48	3.23	29.76	3.29	31.54	3.35	
	12 + 12 + 18	14	29.41	1.64	31.24	1.70	33.06	1.76	34.38	1.78	36.71	1.82	38.54	1.85
		20	29.39	1.67	31.21	1.73	33.04	1.79	34.35	1.81	36.69	1.84	38.51	1.88
		25	29.36	1.69	31.19	1.75	33.01	1.82	34.33	1.84	36.66	1.87	38.48	1.91
		30	29.34	1.71	31.16	1.78	32.99	1.84	34.30	1.86	36.63	1.90	38.45	1.93
		35	29.32	1.74	31.14	1.80	32.96	1.87	34.28	1.89	36.60	1.92	38.42	1.96
		40	29.30	1.76	31.12	1.82	32.94	1.89	34.25	1.91	36.57	1.95	38.39	1.99
		45	29.27	1.78	31.09	1.85	32.91	1.92	34.22	1.94	36.55	1.97	38.36	2.01
		50	29.25	1.81	31.07	1.87	32.89	1.94	34.20	1.96	36.52	2.00	38.34	2.04
		55	29.23	1.83	31.04	1.90	32.86	1.97	34.17	1.99	36.49	2.03	38.31	2.07
		60	29.21	1.85	31.02	1.92	32.83	1.99	34.14	2.02	36.46	2.05	38.28	2.09
		65	29.18	1.88	31.00	1.95	32.81	2.02	34.12	2.04	36.43	2.08	38.25	2.12
		70	29.16	1.90	30.97	1.97	32.78	2.04	34.09	2.07	36.41	2.11	38.22	2.15
		75	28.46	2.00	30.27	2.08	32.07	2.15	33.38	2.18	35.69	2.22	37.49	2.26
		80	27.76	2.11	29.56	2.18	31.36	2.26	32.66	2.29	34.97	2.33	36.77	2.38
		85	27.06	2.21	28.86	2.29	30.66	2.37	31.96	2.40	34.25	2.45	36.05	2.50
		90	26.37	2.31	28.16	2.40	29.95	2.48	31.25	2.51	33.54	2.56	35.33	2.61
		95	25.61	2.41	27.40	2.50	29.18	2.59	30.00	2.62	32.75	2.67	34.53	2.73
		100	24.99	2.52	26.77	2.61	28.56	2.70	29.61	2.74	32.13	2.79	33.91	2.84
		105	24.37	2.62	26.15	2.72	27.93	2.81	29.22	2.85	31.50	2.90	33.29	2.96
110		23.74	2.72	25.53	2.82	27.31	2.93	28.60	2.96	30.88	3.01	32.66	3.07	
115		23.12	2.83	24.90	2.93	26.69	3.04	27.98	3.07	30.26	3.13	32.04	3.19	
118	22.74	2.89	24.53	2.99	26.31	3.10	27.60	3.14	29.88	3.20	31.67	3.26		
122	22.62	2.97	24.40	3.08	26.19	3.19	27.48	3.23	29.76	3.29	31.54	3.35		

TC = Total Capacity (kBtu/h).

PI = Power Input (kW).

Nominal capacity as rated: 0 ft. above sea level with 25 ft. of refrigerant piping.
0 ft. level difference between outdoor and indoor units.

Nominal cooling capacity rating obtained with air entering the indoor unit at 80°F dry bulb (DB) and 67°F wet bulb (WB), and outdoor ambient conditions of 95°F dry bulb (DB) and 75°F wet bulb (WB).

The shaded table columns and rows indicate reference data. When operating at this temperature, these values can be different if the system is not running consistently.

Multi F and Multi F MAX Heat Pump System Engineering Manual

Table 154: LMU36CHV Cooling Capacity Table — Mixed Indoor Units (continued).

Connected Indoor Units	Combination Capacity Index	Outdoor Air Temp. (°F DB)	Indoor Air Temp. °F DB / °F WB											
			68 / 57		73 / 61		77 / 64		80 / 67		86 / 72		90 / 75	
			TC	PI	TC	PI	TC	PI	TC	PI	TC	PI	TC	PI
Three (3) Mixed Indoor Units	12 + 15 + 15	14	29.41	1.64	31.24	1.70	33.06	1.76	34.38	1.78	36.71	1.82	38.54	1.85
		20	29.39	1.67	31.21	1.73	33.04	1.79	34.35	1.81	36.69	1.84	38.51	1.88
		25	29.36	1.69	31.19	1.75	33.01	1.82	34.33	1.84	36.66	1.87	38.48	1.91
		30	29.34	1.71	31.16	1.78	32.99	1.84	34.30	1.86	36.63	1.90	38.45	1.93
		35	29.32	1.74	31.14	1.80	32.96	1.87	34.28	1.89	36.60	1.92	38.42	1.96
		40	29.30	1.76	31.12	1.82	32.94	1.89	34.25	1.91	36.57	1.95	38.39	1.99
		45	29.27	1.78	31.09	1.85	32.91	1.92	34.22	1.94	36.55	1.97	38.36	2.01
		50	29.25	1.81	31.07	1.87	32.89	1.94	34.20	1.96	36.52	2.00	38.34	2.04
		55	29.23	1.83	31.04	1.90	32.86	1.97	34.17	1.99	36.49	2.03	38.31	2.07
		60	29.21	1.85	31.02	1.92	32.83	1.99	34.14	2.02	36.46	2.05	38.28	2.09
		65	29.18	1.88	31.00	1.95	32.81	2.02	34.12	2.04	36.43	2.08	38.25	2.12
		70	29.16	1.90	30.97	1.97	32.78	2.04	34.09	2.07	36.41	2.11	38.22	2.15
		75	28.46	2.00	30.27	2.08	32.07	2.15	33.38	2.18	35.69	2.22	37.49	2.26
		80	27.76	2.11	29.56	2.18	31.36	2.26	32.66	2.29	34.97	2.33	36.77	2.38
		85	27.06	2.21	28.86	2.29	30.66	2.37	31.96	2.40	34.25	2.45	36.05	2.50
		90	26.37	2.31	28.16	2.40	29.95	2.48	31.25	2.51	33.54	2.56	35.33	2.61
		95	25.61	2.41	27.40	2.50	29.18	2.59	30.00	2.62	32.75	2.67	34.53	2.73
		100	24.99	2.52	26.77	2.61	28.56	2.70	29.61	2.74	32.13	2.79	33.91	2.84
		105	24.37	2.62	26.15	2.72	27.93	2.81	29.22	2.85	31.50	2.90	33.29	2.96
		110	23.74	2.72	25.53	2.82	27.31	2.93	28.60	2.96	30.88	3.01	32.66	3.07
		115	23.12	2.83	24.90	2.93	26.69	3.04	27.98	3.07	30.26	3.13	32.04	3.19
	118	22.74	2.89	24.53	2.99	26.31	3.10	27.60	3.14	29.88	3.20	31.67	3.26	
	122	22.62	2.97	24.40	3.08	26.19	3.19	27.48	3.23	29.76	3.29	31.54	3.35	
	7 + 12 + 24*	14	29.41	1.64	31.24	1.70	33.06	1.76	34.38	1.78	36.71	1.82	38.54	1.85
		20	29.39	1.67	31.21	1.73	33.04	1.79	34.35	1.81	36.69	1.84	38.51	1.88
		25	29.36	1.69	31.19	1.75	33.01	1.82	34.33	1.84	36.66	1.87	38.48	1.91
		30	29.34	1.71	31.16	1.78	32.99	1.84	34.30	1.86	36.63	1.90	38.45	1.93
		35	29.32	1.74	31.14	1.80	32.96	1.87	34.28	1.89	36.60	1.92	38.42	1.96
		40	29.30	1.76	31.12	1.82	32.94	1.89	34.25	1.91	36.57	1.95	38.39	1.99
		45	29.27	1.78	31.09	1.85	32.91	1.92	34.22	1.94	36.55	1.97	38.36	2.01
		50	29.25	1.81	31.07	1.87	32.89	1.94	34.20	1.96	36.52	2.00	38.34	2.04
		55	29.23	1.83	31.04	1.90	32.86	1.97	34.17	1.99	36.49	2.03	38.31	2.07
		60	29.21	1.85	31.02	1.92	32.83	1.99	34.14	2.02	36.46	2.05	38.28	2.09
		65	29.18	1.88	31.00	1.95	32.81	2.02	34.12	2.04	36.43	2.08	38.25	2.12
		70	29.16	1.90	30.97	1.97	32.78	2.04	34.09	2.07	36.41	2.11	38.22	2.15
		75	28.46	2.00	30.27	2.08	32.07	2.15	33.38	2.18	35.69	2.22	37.49	2.26
		80	27.76	2.11	29.56	2.18	31.36	2.26	32.66	2.29	34.97	2.33	36.77	2.38
		85	27.06	2.21	28.86	2.29	30.66	2.37	31.96	2.40	34.25	2.45	36.05	2.50
		90	26.37	2.31	28.16	2.40	29.95	2.48	31.25	2.51	33.54	2.56	35.33	2.61
		95	25.61	2.41	27.40	2.50	29.18	2.59	30.00	2.62	32.75	2.67	34.53	2.73
		100	24.99	2.52	26.77	2.61	28.56	2.70	29.61	2.74	32.13	2.79	33.91	2.84
		105	24.37	2.62	26.15	2.72	27.93	2.81	29.22	2.85	31.50	2.90	33.29	2.96
110		23.74	2.72	25.53	2.82	27.31	2.93	28.60	2.96	30.88	3.01	32.66	3.07	
115		23.12	2.83	24.90	2.93	26.69	3.04	27.98	3.07	30.26	3.13	32.04	3.19	
118	22.74	2.89	24.53	2.99	26.31	3.10	27.60	3.14	29.88	3.20	31.67	3.26		
122	22.62	2.97	24.40	3.08	26.19	3.19	27.48	3.23	29.76	3.29	31.54	3.35		

TC = Total Capacity (kBtu/h).

PI = Power Input (kW).

Nominal capacity as rated: 0 ft. above sea level with 25 ft. of refrigerant piping.
0 ft. level difference between outdoor and indoor units.

Nominal cooling capacity rating obtained with air entering the indoor unit at 80°F dry bulb (DB) and 67°F wet bulb (WB), and outdoor ambient conditions of 95°F dry bulb (DB) and 75°F wet bulb (WB).

The shaded table columns and rows indicate reference data. When operating at this temperature, these values can be different if the system is not running consistently.

*The indoor unit must be non-ducted type.

PERFORMANCE DATA

Cooling Capacity Tables

MULTI F
MULTI F MAX

Table 155: LMU36CHV Cooling Capacity Table — Mixed Indoor Units (continued).

Connected Indoor Units	Combination Capacity Index	Outdoor Air Temp. (°F DB)	Indoor Air Temp. °F DB / °F WB											
			68 / 57		73 / 61		77 / 64		80 / 67		86 / 72		90 / 75	
			TC	PI	TC	PI	TC	PI	TC	PI	TC	PI	TC	PI
Three (3) Mixed Indoor Units	7 + 18 + 18	14	29.41	1.64	31.24	1.70	33.06	1.76	34.38	1.78	36.71	1.82	38.54	1.85
		20	29.39	1.67	31.21	1.73	33.04	1.79	34.35	1.81	36.69	1.84	38.51	1.88
		25	29.36	1.69	31.19	1.75	33.01	1.82	34.33	1.84	36.66	1.87	38.48	1.91
		30	29.34	1.71	31.16	1.78	32.99	1.84	34.30	1.86	36.63	1.90	38.45	1.93
		35	29.32	1.74	31.14	1.80	32.96	1.87	34.28	1.89	36.60	1.92	38.42	1.96
		40	29.30	1.76	31.12	1.82	32.94	1.89	34.25	1.91	36.57	1.95	38.39	1.99
		45	29.27	1.78	31.09	1.85	32.91	1.92	34.22	1.94	36.55	1.97	38.36	2.01
		50	29.25	1.81	31.07	1.87	32.89	1.94	34.20	1.96	36.52	2.00	38.34	2.04
		55	29.23	1.83	31.04	1.90	32.86	1.97	34.17	1.99	36.49	2.03	38.31	2.07
		60	29.21	1.85	31.02	1.92	32.83	1.99	34.14	2.02	36.46	2.05	38.28	2.09
		65	29.18	1.88	31.00	1.95	32.81	2.02	34.12	2.04	36.43	2.08	38.25	2.12
		70	29.16	1.90	30.97	1.97	32.78	2.04	34.09	2.07	36.41	2.11	38.22	2.15
		75	28.46	2.00	30.27	2.08	32.07	2.15	33.38	2.18	35.69	2.22	37.49	2.26
		80	27.76	2.11	29.56	2.18	31.36	2.26	32.66	2.29	34.97	2.33	36.77	2.38
		85	27.06	2.21	28.86	2.29	30.66	2.37	31.96	2.40	34.25	2.45	36.05	2.50
		90	26.37	2.31	28.16	2.40	29.95	2.48	31.25	2.51	33.54	2.56	35.33	2.61
		95	25.61	2.41	27.40	2.50	29.18	2.59	30.00	2.62	32.75	2.67	34.53	2.73
		100	24.99	2.52	26.77	2.61	28.56	2.70	29.61	2.74	32.13	2.79	33.91	2.84
		105	24.37	2.62	26.15	2.72	27.93	2.81	29.22	2.85	31.50	2.90	33.29	2.96
		110	23.74	2.72	25.53	2.82	27.31	2.93	28.60	2.96	30.88	3.01	32.66	3.07
		115	23.12	2.83	24.90	2.93	26.69	3.04	27.98	3.07	30.26	3.13	32.04	3.19
		118	22.74	2.89	24.53	2.99	26.31	3.10	27.60	3.14	29.88	3.20	31.67	3.26
	122	22.62	2.97	24.40	3.08	26.19	3.19	27.48	3.23	29.76	3.29	31.54	3.35	
	9 + 12 + 24*	14	29.41	1.64	31.24	1.70	33.06	1.76	34.38	1.78	36.71	1.82	38.54	1.85
		20	29.39	1.67	31.21	1.73	33.04	1.79	34.35	1.81	36.69	1.84	38.51	1.88
		25	29.36	1.69	31.19	1.75	33.01	1.82	34.33	1.84	36.66	1.87	38.48	1.91
		30	29.34	1.71	31.16	1.78	32.99	1.84	34.30	1.86	36.63	1.90	38.45	1.93
		35	29.32	1.74	31.14	1.80	32.96	1.87	34.28	1.89	36.60	1.92	38.42	1.96
		40	29.30	1.76	31.12	1.82	32.94	1.89	34.25	1.91	36.57	1.95	38.39	1.99
		45	29.27	1.78	31.09	1.85	32.91	1.92	34.22	1.94	36.55	1.97	38.36	2.01
		50	29.25	1.81	31.07	1.87	32.89	1.94	34.20	1.96	36.52	2.00	38.34	2.04
		55	29.23	1.83	31.04	1.90	32.86	1.97	34.17	1.99	36.49	2.03	38.31	2.07
		60	29.21	1.85	31.02	1.92	32.83	1.99	34.14	2.02	36.46	2.05	38.28	2.09
		65	29.18	1.88	31.00	1.95	32.81	2.02	34.12	2.04	36.43	2.08	38.25	2.12
		70	29.16	1.90	30.97	1.97	32.78	2.04	34.09	2.07	36.41	2.11	38.22	2.15
		75	28.46	2.00	30.27	2.08	32.07	2.15	33.38	2.18	35.69	2.22	37.49	2.26
		80	27.76	2.11	29.56	2.18	31.36	2.26	32.66	2.29	34.97	2.33	36.77	2.38
		85	27.06	2.21	28.86	2.29	30.66	2.37	31.96	2.40	34.25	2.45	36.05	2.50
		90	26.37	2.31	28.16	2.40	29.95	2.48	31.25	2.51	33.54	2.56	35.33	2.61
		95	25.61	2.41	27.40	2.50	29.18	2.59	30.00	2.62	32.75	2.67	34.53	2.73
		100	24.99	2.52	26.77	2.61	28.56	2.70	29.61	2.74	32.13	2.79	33.91	2.84
		105	24.37	2.62	26.15	2.72	27.93	2.81	29.22	2.85	31.50	2.90	33.29	2.96
110		23.74	2.72	25.53	2.82	27.31	2.93	28.60	2.96	30.88	3.01	32.66	3.07	
115		23.12	2.83	24.90	2.93	26.69	3.04	27.98	3.07	30.26	3.13	32.04	3.19	
118		22.74	2.89	24.53	2.99	26.31	3.10	27.60	3.14	29.88	3.20	31.67	3.26	
122	22.62	2.97	24.40	3.08	26.19	3.19	27.48	3.23	29.76	3.29	31.54	3.35		

TC = Total Capacity (kBtu/h).

PI = Power Input (kW).

Nominal capacity as rated: 0 ft. above sea level with 25 ft. of refrigerant piping.
0 ft. level difference between outdoor and indoor units.

Nominal cooling capacity rating obtained with air entering the indoor unit at 80°F dry bulb (DB) and 67°F wet bulb (WB), and outdoor ambient conditions of 95°F dry bulb (DB) and 75°F wet bulb (WB).

The shaded table columns and rows indicate reference data. When operating at this temperature, these values can be different if the system is not running consistently.

*The indoor unit must be non-ducted type.

Table 156: LMU36CHV Cooling Capacity Table — Mixed Indoor Units (continued).

Connected Indoor Units	Combination Capacity Index	Outdoor Air Temp. (°F DB)	Indoor Air Temp. °F DB / °F WB											
			68 / 57		73 / 61		77 / 64		80 / 67		86 / 72		90 / 75	
			TC	PI	TC	PI	TC	PI	TC	PI	TC	PI	TC	PI
Three (3) Mixed Indoor Units	9 + 18 + 18	14	29.41	1.64	31.24	1.70	33.06	1.76	34.38	1.78	36.71	1.82	38.54	1.85
		20	29.39	1.67	31.21	1.73	33.04	1.79	34.35	1.81	36.69	1.84	38.51	1.88
		25	29.36	1.69	31.19	1.75	33.01	1.82	34.33	1.84	36.66	1.87	38.48	1.91
		30	29.34	1.71	31.16	1.78	32.99	1.84	34.30	1.86	36.63	1.90	38.45	1.93
		35	29.32	1.74	31.14	1.80	32.96	1.87	34.28	1.89	36.60	1.92	38.42	1.96
		40	29.30	1.76	31.12	1.82	32.94	1.89	34.25	1.91	36.57	1.95	38.39	1.99
		45	29.27	1.78	31.09	1.85	32.91	1.92	34.22	1.94	36.55	1.97	38.36	2.01
		50	29.25	1.81	31.07	1.87	32.89	1.94	34.20	1.96	36.52	2.00	38.34	2.04
		55	29.23	1.83	31.04	1.90	32.86	1.97	34.17	1.99	36.49	2.03	38.31	2.07
		60	29.21	1.85	31.02	1.92	32.83	1.99	34.14	2.02	36.46	2.05	38.28	2.09
		65	29.18	1.88	31.00	1.95	32.81	2.02	34.12	2.04	36.43	2.08	38.25	2.12
		70	29.16	1.90	30.97	1.97	32.78	2.04	34.09	2.07	36.41	2.11	38.22	2.15
		75	28.46	2.00	30.27	2.08	32.07	2.15	33.38	2.18	35.69	2.22	37.49	2.26
		80	27.76	2.11	29.56	2.18	31.36	2.26	32.66	2.29	34.97	2.33	36.77	2.38
		85	27.06	2.21	28.86	2.29	30.66	2.37	31.96	2.40	34.25	2.45	36.05	2.50
		90	26.37	2.31	28.16	2.40	29.95	2.48	31.25	2.51	33.54	2.56	35.33	2.61
		95	25.61	2.41	27.40	2.50	29.18	2.59	30.00	2.62	32.75	2.67	34.53	2.73
		100	24.99	2.52	26.77	2.61	28.56	2.70	29.61	2.74	32.13	2.79	33.91	2.84
		105	24.37	2.62	26.15	2.72	27.93	2.81	29.22	2.85	31.50	2.90	33.29	2.96
		110	23.74	2.72	25.53	2.82	27.31	2.93	28.60	2.96	30.88	3.01	32.66	3.07
		115	23.12	2.83	24.90	2.93	26.69	3.04	27.98	3.07	30.26	3.13	32.04	3.19
	118	22.74	2.89	24.53	2.99	26.31	3.10	27.60	3.14	29.88	3.20	31.67	3.26	
	122	22.62	2.97	24.40	3.08	26.19	3.19	27.48	3.23	29.76	3.29	31.54	3.35	
	12 + 15 + 18	14	29.41	1.64	31.24	1.70	33.06	1.76	34.38	1.78	36.71	1.82	38.54	1.85
		20	29.39	1.67	31.21	1.73	33.04	1.79	34.35	1.81	36.69	1.84	38.51	1.88
		25	29.36	1.69	31.19	1.75	33.01	1.82	34.33	1.84	36.66	1.87	38.48	1.91
		30	29.34	1.71	31.16	1.78	32.99	1.84	34.30	1.86	36.63	1.90	38.45	1.93
		35	29.32	1.74	31.14	1.80	32.96	1.87	34.28	1.89	36.60	1.92	38.42	1.96
		40	29.30	1.76	31.12	1.82	32.94	1.89	34.25	1.91	36.57	1.95	38.39	1.99
		45	29.27	1.78	31.09	1.85	32.91	1.92	34.22	1.94	36.55	1.97	38.36	2.01
		50	29.25	1.81	31.07	1.87	32.89	1.94	34.20	1.96	36.52	2.00	38.34	2.04
		55	29.23	1.83	31.04	1.90	32.86	1.97	34.17	1.99	36.49	2.03	38.31	2.07
		60	29.21	1.85	31.02	1.92	32.83	1.99	34.14	2.02	36.46	2.05	38.28	2.09
		65	29.18	1.88	31.00	1.95	32.81	2.02	34.12	2.04	36.43	2.08	38.25	2.12
		70	29.16	1.90	30.97	1.97	32.78	2.04	34.09	2.07	36.41	2.11	38.22	2.15
		75	28.46	2.00	30.27	2.08	32.07	2.15	33.38	2.18	35.69	2.22	37.49	2.26
		80	27.76	2.11	29.56	2.18	31.36	2.26	32.66	2.29	34.97	2.33	36.77	2.38
		85	27.06	2.21	28.86	2.29	30.66	2.37	31.96	2.40	34.25	2.45	36.05	2.50
		90	26.37	2.31	28.16	2.40	29.95	2.48	31.25	2.51	33.54	2.56	35.33	2.61
		95	25.61	2.41	27.40	2.50	29.18	2.59	30.00	2.62	32.75	2.67	34.53	2.73
		100	24.99	2.52	26.77	2.61	28.56	2.70	29.61	2.74	32.13	2.79	33.91	2.84
		105	24.37	2.62	26.15	2.72	27.93	2.81	29.22	2.85	31.50	2.90	33.29	2.96
110		23.74	2.72	25.53	2.82	27.31	2.93	28.60	2.96	30.88	3.01	32.66	3.07	
115		23.12	2.83	24.90	2.93	26.69	3.04	27.98	3.07	30.26	3.13	32.04	3.19	
118	22.74	2.89	24.53	2.99	26.31	3.10	27.60	3.14	29.88	3.20	31.67	3.26		
122	22.62	2.97	24.40	3.08	26.19	3.19	27.48	3.23	29.76	3.29	31.54	3.35		

TC = Total Capacity (kBtu/h).

PI = Power Input (kW).

Nominal capacity as rated: 0 ft. above sea level with 25 ft. of refrigerant piping.
0 ft. level difference between outdoor and indoor units.

Nominal cooling capacity rating obtained with air entering the indoor unit at 80°F dry bulb (DB) and 67°F wet bulb (WB), and outdoor ambient conditions of 95°F dry bulb (DB) and 75°F wet bulb (WB).

The shaded table columns and rows indicate reference data. When operating at this temperature, these values can be different if the system is not running consistently.

PERFORMANCE DATA

Cooling Capacity Tables

MULTI F
MULTI F MAX

Table 157: LMU36CHV Cooling Capacity Table — Mixed Indoor Units (continued).

Connected Indoor Units	Combination Capacity Index	Outdoor Air Temp. (°F DB)	Indoor Air Temp. °F DB / °F WB											
			68 / 57		73 / 61		77 / 64		80 / 67		86 / 72		90 / 75	
			TC	PI	TC	PI	TC	PI	TC	PI	TC	PI	TC	PI
Three (3) Mixed Indoor Units	7 + 15 + 24*	14	29.41	1.64	31.24	1.70	33.06	1.76	34.38	1.78	36.71	1.82	38.54	1.85
		20	29.39	1.67	31.21	1.73	33.04	1.79	34.35	1.81	36.69	1.84	38.51	1.88
		25	29.36	1.69	31.19	1.75	33.01	1.82	34.33	1.84	36.66	1.87	38.48	1.91
		30	29.34	1.71	31.16	1.78	32.99	1.84	34.30	1.86	36.63	1.90	38.45	1.93
		35	29.32	1.74	31.14	1.80	32.96	1.87	34.28	1.89	36.60	1.92	38.42	1.96
		40	29.30	1.76	31.12	1.82	32.94	1.89	34.25	1.91	36.57	1.95	38.39	1.99
		45	29.27	1.78	31.09	1.85	32.91	1.92	34.22	1.94	36.55	1.97	38.36	2.01
		50	29.25	1.81	31.07	1.87	32.89	1.94	34.20	1.96	36.52	2.00	38.34	2.04
		55	29.23	1.83	31.04	1.90	32.86	1.97	34.17	1.99	36.49	2.03	38.31	2.07
		60	29.21	1.85	31.02	1.92	32.83	1.99	34.14	2.02	36.46	2.05	38.28	2.09
		65	29.18	1.88	31.00	1.95	32.81	2.02	34.12	2.04	36.43	2.08	38.25	2.12
		70	29.16	1.90	30.97	1.97	32.78	2.04	34.09	2.07	36.41	2.11	38.22	2.15
		75	28.46	2.00	30.27	2.08	32.07	2.15	33.38	2.18	35.69	2.22	37.49	2.26
		80	27.76	2.11	29.56	2.18	31.36	2.26	32.66	2.29	34.97	2.33	36.77	2.38
		85	27.06	2.21	28.86	2.29	30.66	2.37	31.96	2.40	34.25	2.45	36.05	2.50
		90	26.37	2.31	28.16	2.40	29.95	2.48	31.25	2.51	33.54	2.56	35.33	2.61
		95	25.61	2.41	27.40	2.50	29.18	2.59	30.00	2.62	32.75	2.67	34.53	2.73
		100	24.99	2.52	26.77	2.61	28.56	2.70	29.61	2.74	32.13	2.79	33.91	2.84
		105	24.37	2.62	26.15	2.72	27.93	2.81	29.22	2.85	31.50	2.90	33.29	2.96
		110	23.74	2.72	25.53	2.82	27.31	2.93	28.60	2.96	30.88	3.01	32.66	3.07
		115	23.12	2.83	24.90	2.93	26.69	3.04	27.98	3.07	30.26	3.13	32.04	3.19
		118	22.74	2.89	24.53	2.99	26.31	3.10	27.60	3.14	29.88	3.20	31.67	3.26
	122	22.62	2.97	24.40	3.08	26.19	3.19	27.48	3.23	29.76	3.29	31.54	3.35	
	9 + 15 + 24*	14	29.41	1.64	31.24	1.70	33.06	1.76	34.38	1.78	36.71	1.82	38.54	1.85
		20	29.39	1.67	31.21	1.73	33.04	1.79	34.35	1.81	36.69	1.84	38.51	1.88
		25	29.36	1.69	31.19	1.75	33.01	1.82	34.33	1.84	36.66	1.87	38.48	1.91
		30	29.34	1.71	31.16	1.78	32.99	1.84	34.30	1.86	36.63	1.90	38.45	1.93
		35	29.32	1.74	31.14	1.80	32.96	1.87	34.28	1.89	36.60	1.92	38.42	1.96
		40	29.30	1.76	31.12	1.82	32.94	1.89	34.25	1.91	36.57	1.95	38.39	1.99
		45	29.27	1.78	31.09	1.85	32.91	1.92	34.22	1.94	36.55	1.97	38.36	2.01
		50	29.25	1.81	31.07	1.87	32.89	1.94	34.20	1.96	36.52	2.00	38.34	2.04
		55	29.23	1.83	31.04	1.90	32.86	1.97	34.17	1.99	36.49	2.03	38.31	2.07
		60	29.21	1.85	31.02	1.92	32.83	1.99	34.14	2.02	36.46	2.05	38.28	2.09
		65	29.18	1.88	31.00	1.95	32.81	2.02	34.12	2.04	36.43	2.08	38.25	2.12
		70	29.16	1.90	30.97	1.97	32.78	2.04	34.09	2.07	36.41	2.11	38.22	2.15
		75	28.46	2.00	30.27	2.08	32.07	2.15	33.38	2.18	35.69	2.22	37.49	2.26
		80	27.76	2.11	29.56	2.18	31.36	2.26	32.66	2.29	34.97	2.33	36.77	2.38
		85	27.06	2.21	28.86	2.29	30.66	2.37	31.96	2.40	34.25	2.45	36.05	2.50
		90	26.37	2.31	28.16	2.40	29.95	2.48	31.25	2.51	33.54	2.56	35.33	2.61
		95	25.61	2.41	27.40	2.50	29.18	2.59	30.00	2.62	32.75	2.67	34.53	2.73
		100	24.99	2.52	26.77	2.61	28.56	2.70	29.61	2.74	32.13	2.79	33.91	2.84
		105	24.37	2.62	26.15	2.72	27.93	2.81	29.22	2.85	31.50	2.90	33.29	2.96
110		23.74	2.72	25.53	2.82	27.31	2.93	28.60	2.96	30.88	3.01	32.66	3.07	
115		23.12	2.83	24.90	2.93	26.69	3.04	27.98	3.07	30.26	3.13	32.04	3.19	
118		22.74	2.89	24.53	2.99	26.31	3.10	27.60	3.14	29.88	3.20	31.67	3.26	
122	22.62	2.97	24.40	3.08	26.19	3.19	27.48	3.23	29.76	3.29	31.54	3.35		

TC = Total Capacity (kBtu/h).

PI = Power Input (kW).

Nominal capacity as rated: 0 ft. above sea level with 25 ft. of refrigerant piping.
0 ft. level difference between outdoor and indoor units.

Nominal cooling capacity rating obtained with air entering the indoor unit at 80°F dry bulb (DB) and 67°F wet bulb (WB), and outdoor ambient conditions of 95°F dry bulb (DB) and 75°F wet bulb (WB).

The shaded table columns and rows indicate reference data. When operating at this temperature, these values can be different if the system is not running consistently.

*The indoor unit must be non-ducted type.

Multi F and Multi F MAX Heat Pump System Engineering Manual

Table 158: LMU36CHV Cooling Capacity Table — Mixed Indoor Units (continued).

Connected Indoor Units	Combination Capacity Index	Outdoor Air Temp. (°F DB)	Indoor Air Temp. °F DB / °F WB											
			68 / 57		73 / 61		77 / 64		80 / 67		86 / 72		90 / 75	
			TC	PI	TC	PI	TC	PI	TC	PI	TC	PI	TC	PI
Three (3) Mixed Indoor Units	12 + 12 + 24*	14	29.41	1.64	31.24	1.70	33.06	1.76	34.38	1.78	36.71	1.82	38.54	1.85
		20	29.39	1.67	31.21	1.73	33.04	1.79	34.35	1.81	36.69	1.84	38.51	1.88
		25	29.36	1.69	31.19	1.75	33.01	1.82	34.33	1.84	36.66	1.87	38.48	1.91
		30	29.34	1.71	31.16	1.78	32.99	1.84	34.30	1.86	36.63	1.90	38.45	1.93
		35	29.32	1.74	31.14	1.80	32.96	1.87	34.28	1.89	36.60	1.92	38.42	1.96
		40	29.30	1.76	31.12	1.82	32.94	1.89	34.25	1.91	36.57	1.95	38.39	1.99
		45	29.27	1.78	31.09	1.85	32.91	1.92	34.22	1.94	36.55	1.97	38.36	2.01
		50	29.25	1.81	31.07	1.87	32.89	1.94	34.20	1.96	36.52	2.00	38.34	2.04
		55	29.23	1.83	31.04	1.90	32.86	1.97	34.17	1.99	36.49	2.03	38.31	2.07
		60	29.21	1.85	31.02	1.92	32.83	1.99	34.14	2.02	36.46	2.05	38.28	2.09
		65	29.18	1.88	31.00	1.95	32.81	2.02	34.12	2.04	36.43	2.08	38.25	2.12
		70	29.16	1.90	30.97	1.97	32.78	2.04	34.09	2.07	36.41	2.11	38.22	2.15
		75	28.46	2.00	30.27	2.08	32.07	2.15	33.38	2.18	35.69	2.22	37.49	2.26
		80	27.76	2.11	29.56	2.18	31.36	2.26	32.66	2.29	34.97	2.33	36.77	2.38
		85	27.06	2.21	28.86	2.29	30.66	2.37	31.96	2.40	34.25	2.45	36.05	2.50
		90	26.37	2.31	28.16	2.40	29.95	2.48	31.25	2.51	33.54	2.56	35.33	2.61
		95	25.61	2.41	27.40	2.50	29.18	2.59	30.00	2.62	32.75	2.67	34.53	2.73
		100	24.99	2.52	26.77	2.61	28.56	2.70	29.61	2.74	32.13	2.79	33.91	2.84
		105	24.37	2.62	26.15	2.72	27.93	2.81	29.22	2.85	31.50	2.90	33.29	2.96
		110	23.74	2.72	25.53	2.82	27.31	2.93	28.60	2.96	30.88	3.01	32.66	3.07
		115	23.12	2.83	24.90	2.93	26.69	3.04	27.98	3.07	30.26	3.13	32.04	3.19
	118	22.74	2.89	24.53	2.99	26.31	3.10	27.60	3.14	29.88	3.20	31.67	3.26	
	122	22.62	2.97	24.40	3.08	26.19	3.19	27.48	3.23	29.76	3.29	31.54	3.35	
	12 + 18 + 18	14	29.41	1.64	31.24	1.70	33.06	1.76	34.38	1.78	36.71	1.82	38.54	1.85
		20	29.39	1.67	31.21	1.73	33.04	1.79	34.35	1.81	36.69	1.84	38.51	1.88
		25	29.36	1.69	31.19	1.75	33.01	1.82	34.33	1.84	36.66	1.87	38.48	1.91
		30	29.34	1.71	31.16	1.78	32.99	1.84	34.30	1.86	36.63	1.90	38.45	1.93
		35	29.32	1.74	31.14	1.80	32.96	1.87	34.28	1.89	36.60	1.92	38.42	1.96
		40	29.30	1.76	31.12	1.82	32.94	1.89	34.25	1.91	36.57	1.95	38.39	1.99
		45	29.27	1.78	31.09	1.85	32.91	1.92	34.22	1.94	36.55	1.97	38.36	2.01
		50	29.25	1.81	31.07	1.87	32.89	1.94	34.20	1.96	36.52	2.00	38.34	2.04
		55	29.23	1.83	31.04	1.90	32.86	1.97	34.17	1.99	36.49	2.03	38.31	2.07
		60	29.21	1.85	31.02	1.92	32.83	1.99	34.14	2.02	36.46	2.05	38.28	2.09
		65	29.18	1.88	31.00	1.95	32.81	2.02	34.12	2.04	36.43	2.08	38.25	2.12
		70	29.16	1.90	30.97	1.97	32.78	2.04	34.09	2.07	36.41	2.11	38.22	2.15
		75	28.46	2.00	30.27	2.08	32.07	2.15	33.38	2.18	35.69	2.22	37.49	2.26
		80	27.76	2.11	29.56	2.18	31.36	2.26	32.66	2.29	34.97	2.33	36.77	2.38
		85	27.06	2.21	28.86	2.29	30.66	2.37	31.96	2.40	34.25	2.45	36.05	2.50
		90	26.37	2.31	28.16	2.40	29.95	2.48	31.25	2.51	33.54	2.56	35.33	2.61
		95	25.61	2.41	27.40	2.50	29.18	2.59	30.00	2.62	32.75	2.67	34.53	2.73
		100	24.99	2.52	26.77	2.61	28.56	2.70	29.61	2.74	32.13	2.79	33.91	2.84
		105	24.37	2.62	26.15	2.72	27.93	2.81	29.22	2.85	31.50	2.90	33.29	2.96
110		23.74	2.72	25.53	2.82	27.31	2.93	28.60	2.96	30.88	3.01	32.66	3.07	
115		23.12	2.83	24.90	2.93	26.69	3.04	27.98	3.07	30.26	3.13	32.04	3.19	
118	22.74	2.89	24.53	2.99	26.31	3.10	27.60	3.14	29.88	3.20	31.67	3.26		
122	22.62	2.97	24.40	3.08	26.19	3.19	27.48	3.23	29.76	3.29	31.54	3.35		

TC = Total Capacity (kBtu/h).

PI = Power Input (kW).

Nominal capacity as rated: 0 ft. above sea level with 25 ft. of refrigerant piping.
0 ft. level difference between outdoor and indoor units.

Nominal cooling capacity rating obtained with air entering the indoor unit at 80°F dry bulb (DB) and 67°F wet bulb (WB), and outdoor ambient conditions of 95°F dry bulb (DB) and 75°F wet bulb (WB).

The shaded table columns and rows indicate reference data. When operating at this temperature, these values can be different if the system is not running consistently.

*The indoor unit must be non-ducted type.

PERFORMANCE DATA

Cooling Capacity Tables

MULTI F
MULTI F MAX

Table 159: LMU36CHV Cooling Capacity Table — Mixed Indoor Units (continued).

Connected Indoor Units	Combination Capacity Index	Outdoor Air Temp. (°F DB)	Indoor Air Temp. °F DB / °F WB											
			68 / 57		73 / 61		77 / 64		80 / 67		86 / 72		90 / 75	
			TC	PI	TC	PI	TC	PI	TC	PI	TC	PI	TC	PI
Three (3) Mixed Indoor Units	15 + 15 + 18	14	29.41	1.64	31.24	1.70	33.06	1.76	34.38	1.78	36.71	1.82	38.54	1.85
		20	29.39	1.67	31.21	1.73	33.04	1.79	34.35	1.81	36.69	1.84	38.51	1.88
		25	29.36	1.69	31.19	1.75	33.01	1.82	34.33	1.84	36.66	1.87	38.48	1.91
		30	29.34	1.71	31.16	1.78	32.99	1.84	34.30	1.86	36.63	1.90	38.45	1.93
		35	29.32	1.74	31.14	1.80	32.96	1.87	34.28	1.89	36.60	1.92	38.42	1.96
		40	29.30	1.76	31.12	1.82	32.94	1.89	34.25	1.91	36.57	1.95	38.39	1.99
		45	29.27	1.78	31.09	1.85	32.91	1.92	34.22	1.94	36.55	1.97	38.36	2.01
		50	29.25	1.81	31.07	1.87	32.89	1.94	34.20	1.96	36.52	2.00	38.34	2.04
		55	29.23	1.83	31.04	1.90	32.86	1.97	34.17	1.99	36.49	2.03	38.31	2.07
		60	29.21	1.85	31.02	1.92	32.83	1.99	34.14	2.02	36.46	2.05	38.28	2.09
		65	29.18	1.88	31.00	1.95	32.81	2.02	34.12	2.04	36.43	2.08	38.25	2.12
		70	29.16	1.90	30.97	1.97	32.78	2.04	34.09	2.07	36.41	2.11	38.22	2.15
		75	28.46	2.00	30.27	2.08	32.07	2.15	33.38	2.18	35.69	2.22	37.49	2.26
		80	27.76	2.11	29.56	2.18	31.36	2.26	32.66	2.29	34.97	2.33	36.77	2.38
		85	27.06	2.21	28.86	2.29	30.66	2.37	31.96	2.40	34.25	2.45	36.05	2.50
		90	26.37	2.31	28.16	2.40	29.95	2.48	31.25	2.51	33.54	2.56	35.33	2.61
		95	25.61	2.41	27.40	2.50	29.18	2.59	30.00	2.62	32.75	2.67	34.53	2.73
		100	24.99	2.52	26.77	2.61	28.56	2.70	29.61	2.74	32.13	2.79	33.91	2.84
		105	24.37	2.62	26.15	2.72	27.93	2.81	29.22	2.85	31.50	2.90	33.29	2.96
		110	23.74	2.72	25.53	2.82	27.31	2.93	28.60	2.96	30.88	3.01	32.66	3.07
115	23.12	2.83	24.90	2.93	26.69	3.04	27.98	3.07	30.26	3.13	32.04	3.19		
118	22.74	2.89	24.53	2.99	26.31	3.10	27.60	3.14	29.88	3.20	31.67	3.26		
122	22.62	2.97	24.40	3.08	26.19	3.19	27.48	3.23	29.76	3.29	31.54	3.35		
Four (4) Mixed Indoor Units	7 + 7 + 7 + 9	14	27.57	1.50	29.28	1.55	31.00	1.61	32.23	1.63	34.42	1.66	36.13	1.69
		20	27.55	1.52	29.26	1.57	30.97	1.63	32.21	1.65	34.39	1.68	36.10	1.71
		25	27.53	1.54	29.24	1.60	30.95	1.65	32.18	1.67	34.37	1.70	36.08	1.74
		30	27.51	1.56	29.22	1.62	30.92	1.68	32.16	1.70	34.34	1.73	36.05	1.76
		35	27.49	1.58	29.19	1.64	30.90	1.70	32.13	1.72	34.31	1.75	36.02	1.79
		40	27.47	1.60	29.17	1.66	30.88	1.72	32.11	1.74	34.29	1.78	35.99	1.81
		45	27.44	1.62	29.15	1.68	30.85	1.75	32.08	1.77	34.26	1.80	35.97	1.83
		50	27.42	1.65	29.13	1.71	30.83	1.77	32.06	1.79	34.24	1.82	35.94	1.86
		55	27.40	1.67	29.10	1.73	30.81	1.79	32.04	1.81	34.21	1.85	35.91	1.88
		60	27.38	1.69	29.08	1.75	30.78	1.81	32.01	1.84	34.18	1.87	35.88	1.91
		65	27.36	1.71	29.06	1.77	30.76	1.84	31.99	1.86	34.16	1.89	35.86	1.93
		70	27.34	1.73	29.04	1.80	30.74	1.86	31.96	1.88	34.13	1.92	35.83	1.96
		75	26.68	1.83	28.38	1.89	30.07	1.96	31.29	1.98	33.46	2.02	35.15	2.06
		80	26.02	1.92	27.71	1.99	29.40	2.06	30.62	2.09	32.78	2.12	34.47	2.17
		85	25.37	2.01	27.06	2.09	28.74	2.16	29.96	2.19	32.11	2.23	33.80	2.27
		90	24.72	2.11	26.40	2.18	28.08	2.26	29.30	2.29	31.44	2.33	33.13	2.38
		95	24.01	2.20	25.68	2.28	27.36	2.36	28.13	2.39	30.70	2.44	32.38	2.48
		100	23.43	2.29	25.10	2.38	26.77	2.46	27.76	2.49	30.12	2.54	31.79	2.59
		105	22.84	2.39	24.52	2.47	26.19	2.56	27.40	2.59	29.53	2.64	31.21	2.70
		110	22.26	2.48	23.93	2.57	25.60	2.66	26.81	2.70	28.95	2.75	30.62	2.80
115	21.67	2.57	23.35	2.67	25.02	2.76	26.23	2.80	28.36	2.85	30.04	2.91		
118	21.32	2.63	22.99	2.73	24.67	2.82	25.88	2.86	28.01	2.91	29.69	2.97		
122	21.21	2.70	22.88	2.80	24.55	2.91	25.76	2.94	27.90	2.99	29.57	3.05		

TC = Total Capacity (kBtu/h).

PI = Power Input (kW).

Nominal capacity as rated: 0 ft. above sea level with 25 ft. of refrigerant piping.
0 ft. level difference between outdoor and indoor units.

Nominal cooling capacity rating obtained with air entering the indoor unit at 80°F dry bulb (DB) and 67°F wet bulb (WB), and outdoor ambient conditions of 95°F dry bulb (DB) and 75°F wet bulb (WB).

The shaded table columns and rows indicate reference data. When operating at this temperature, these values can be different if the system is not running consistently.

Multi F and Multi F MAX Heat Pump System Engineering Manual

Table 160: LMU36CHV Cooling Capacity Table — Mixed Indoor Units (continued).

Connected Indoor Units	Combination Capacity Index	Outdoor Air Temp. (°F DB)	Indoor Air Temp. °F DB / °F WB											
			68 / 57		73 / 61		77 / 64		80 / 67		86 / 72		90 / 75	
			TC	PI	TC	PI	TC	PI	TC	PI	TC	PI	TC	PI
Four (4) Mixed Indoor Units	7 + 7 + 9 + 9	14	29.41	1.57	31.24	1.62	33.06	1.68	34.38	1.70	36.71	1.73	38.54	1.77
		20	29.39	1.59	31.21	1.65	33.04	1.71	34.35	1.73	36.69	1.76	38.51	1.79
		25	29.36	1.61	31.19	1.67	33.01	1.73	34.33	1.75	36.66	1.78	38.48	1.82
		30	29.34	1.63	31.16	1.69	32.99	1.76	34.30	1.78	36.63	1.81	38.45	1.85
		35	29.32	1.66	31.14	1.72	32.96	1.78	34.28	1.80	36.60	1.83	38.42	1.87
		40	29.30	1.68	31.12	1.74	32.94	1.80	34.25	1.82	36.57	1.86	38.39	1.90
		45	29.27	1.70	31.09	1.76	32.91	1.83	34.22	1.85	36.55	1.88	38.36	1.92
		50	29.25	1.72	31.07	1.79	32.89	1.85	34.20	1.87	36.52	1.91	38.34	1.95
		55	29.23	1.75	31.04	1.81	32.86	1.88	34.17	1.90	36.49	1.93	38.31	1.97
		60	29.21	1.77	31.02	1.83	32.83	1.90	34.14	1.92	36.46	1.96	38.28	2.00
		65	29.18	1.79	31.00	1.86	32.81	1.92	34.12	1.95	36.43	1.98	38.25	2.02
		70	29.16	1.81	30.97	1.88	32.78	1.95	34.09	1.97	36.41	2.01	38.22	2.05
		75	28.46	1.91	30.27	1.98	32.07	2.05	33.38	2.08	35.69	2.12	37.49	2.16
		80	27.76	2.01	29.56	2.08	31.36	2.16	32.66	2.18	34.97	2.23	36.77	2.27
		85	27.06	2.11	28.86	2.18	30.66	2.26	31.96	2.29	34.25	2.33	36.05	2.38
		90	26.37	2.21	28.16	2.29	29.95	2.37	31.25	2.40	33.54	2.44	35.33	2.49
		95	25.61	2.30	27.40	2.39	29.18	2.47	30.50	2.50	32.75	2.55	34.53	2.60
		100	24.99	2.40	26.77	2.49	28.56	2.58	29.61	2.61	32.13	2.66	33.91	2.71
		105	24.37	2.50	26.15	2.59	27.93	2.69	29.22	2.72	31.50	2.77	33.29	2.82
		110	23.74	2.60	25.53	2.69	27.31	2.79	28.60	2.82	30.88	2.88	32.66	2.93
		115	23.12	2.69	24.90	2.79	26.69	2.90	27.98	2.93	30.26	2.98	32.04	3.04
	118	22.74	2.75	24.53	2.85	26.31	2.96	27.60	2.99	29.88	3.05	31.67	3.11	
	122	22.62	2.83	24.40	2.94	26.19	3.04	27.48	3.08	29.76	3.14	31.54	3.20	
	7 + 7 + 7 + 12	14	29.41	1.57	31.24	1.62	33.06	1.68	34.38	1.70	36.71	1.73	38.54	1.77
		20	29.39	1.59	31.21	1.65	33.04	1.71	34.35	1.73	36.69	1.76	38.51	1.79
		25	29.36	1.61	31.19	1.67	33.01	1.73	34.33	1.75	36.66	1.78	38.48	1.82
		30	29.34	1.63	31.16	1.69	32.99	1.76	34.30	1.78	36.63	1.81	38.45	1.85
		35	29.32	1.66	31.14	1.72	32.96	1.78	34.28	1.80	36.60	1.83	38.42	1.87
		40	29.30	1.68	31.12	1.74	32.94	1.80	34.25	1.82	36.57	1.86	38.39	1.90
		45	29.27	1.70	31.09	1.76	32.91	1.83	34.22	1.85	36.55	1.88	38.36	1.92
		50	29.25	1.72	31.07	1.79	32.89	1.85	34.20	1.87	36.52	1.91	38.34	1.95
		55	29.23	1.75	31.04	1.81	32.86	1.88	34.17	1.90	36.49	1.93	38.31	1.97
		60	29.21	1.77	31.02	1.83	32.83	1.90	34.14	1.92	36.46	1.96	38.28	2.00
		65	29.18	1.79	31.00	1.86	32.81	1.92	34.12	1.95	36.43	1.98	38.25	2.02
		70	29.16	1.81	30.97	1.88	32.78	1.95	34.09	1.97	36.41	2.01	38.22	2.05
		75	28.46	1.91	30.27	1.98	32.07	2.05	33.38	2.08	35.69	2.12	37.49	2.16
		80	27.76	2.01	29.56	2.08	31.36	2.16	32.66	2.18	34.97	2.23	36.77	2.27
		85	27.06	2.11	28.86	2.18	30.66	2.26	31.96	2.29	34.25	2.33	36.05	2.38
		90	26.37	2.21	28.16	2.29	29.95	2.37	31.25	2.40	33.54	2.44	35.33	2.49
		95	25.61	2.30	27.40	2.39	29.18	2.47	30.50	2.50	32.75	2.55	34.53	2.60
		100	24.99	2.40	26.77	2.49	28.56	2.58	29.61	2.61	32.13	2.66	33.91	2.71
		105	24.37	2.50	26.15	2.59	27.93	2.69	29.22	2.72	31.50	2.77	33.29	2.82
110		23.74	2.60	25.53	2.69	27.31	2.79	28.60	2.82	30.88	2.88	32.66	2.93	
115		23.12	2.69	24.90	2.79	26.69	2.90	27.98	2.93	30.26	2.98	32.04	3.04	
118	22.74	2.75	24.53	2.85	26.31	2.96	27.60	2.99	29.88	3.05	31.67	3.11		
122	22.62	2.83	24.40	2.94	26.19	3.04	27.48	3.08	29.76	3.14	31.54	3.20		

TC = Total Capacity (kBtu/h).

PI = Power Input (kW).

Nominal capacity as rated: 0 ft. above sea level with 25 ft. of refrigerant piping.
0 ft. level difference between outdoor and indoor units.

Nominal cooling capacity rating obtained with air entering the indoor unit at 80°F dry bulb (DB) and 67°F wet bulb (WB), and outdoor ambient conditions of 95°F dry bulb (DB) and 75°F wet bulb (WB).

The shaded table columns and rows indicate reference data. When operating at this temperature, these values can be different if the system is not running consistently.

PERFORMANCE DATA

Cooling Capacity Tables

MULTI F
MULTI F MAX

Table 161: LMU36CHV Cooling Capacity Table — Mixed Indoor Units (continued).

Connected Indoor Units	Combination Capacity Index	Outdoor Air Temp. (°F DB)	Indoor Air Temp. °F DB / °F WB											
			68 / 57		73 / 61		77 / 64		80 / 67		86 / 72		90 / 75	
			TC	PI	TC	PI	TC	PI	TC	PI	TC	PI	TC	PI
Four (4) Mixed Indoor Units	7 + 9 + 9 + 9	14	29.41	1.57	31.24	1.62	33.06	1.68	34.38	1.70	36.71	1.73	38.54	1.77
		20	29.39	1.59	31.21	1.65	33.04	1.71	34.35	1.73	36.69	1.76	38.51	1.79
		25	29.36	1.61	31.19	1.67	33.01	1.73	34.33	1.75	36.66	1.78	38.48	1.82
		30	29.34	1.63	31.16	1.69	32.99	1.76	34.30	1.78	36.63	1.81	38.45	1.85
		35	29.32	1.66	31.14	1.72	32.96	1.78	34.28	1.80	36.60	1.83	38.42	1.87
		40	29.30	1.68	31.12	1.74	32.94	1.80	34.25	1.82	36.57	1.86	38.39	1.90
		45	29.27	1.70	31.09	1.76	32.91	1.83	34.22	1.85	36.55	1.88	38.36	1.92
		50	29.25	1.72	31.07	1.79	32.89	1.85	34.20	1.87	36.52	1.91	38.34	1.95
		55	29.23	1.75	31.04	1.81	32.86	1.88	34.17	1.90	36.49	1.93	38.31	1.97
		60	29.21	1.77	31.02	1.83	32.83	1.90	34.14	1.92	36.46	1.96	38.28	2.00
		65	29.18	1.79	31.00	1.86	32.81	1.92	34.12	1.95	36.43	1.98	38.25	2.02
		70	29.16	1.81	30.97	1.88	32.78	1.95	34.09	1.97	36.41	2.01	38.22	2.05
		75	28.46	1.91	30.27	1.98	32.07	2.05	33.38	2.08	35.69	2.12	37.49	2.16
		80	27.76	2.01	29.56	2.08	31.36	2.16	32.66	2.18	34.97	2.23	36.77	2.27
		85	27.06	2.11	28.86	2.18	30.66	2.26	31.96	2.29	34.25	2.33	36.05	2.38
		90	26.37	2.21	28.16	2.29	29.95	2.37	31.25	2.40	33.54	2.44	35.33	2.49
		95	25.61	2.30	27.40	2.39	29.18	2.47	30.00	2.50	32.75	2.55	34.53	2.60
		100	24.99	2.40	26.77	2.49	28.56	2.58	29.61	2.61	32.13	2.66	33.91	2.71
		105	24.37	2.50	26.15	2.59	27.93	2.69	29.22	2.72	31.50	2.77	33.29	2.82
		110	23.74	2.60	25.53	2.69	27.31	2.79	28.60	2.82	30.88	2.88	32.66	2.93
		115	23.12	2.69	24.90	2.79	26.69	2.90	27.98	2.93	30.26	2.98	32.04	3.04
	118	22.74	2.75	24.53	2.85	26.31	2.96	27.60	2.99	29.88	3.05	31.67	3.11	
	122	22.62	2.83	24.40	2.94	26.19	3.04	27.48	3.08	29.76	3.14	31.54	3.20	
	7 + 7 + 9 + 12	14	29.41	1.57	31.24	1.62	33.06	1.68	34.38	1.70	36.71	1.73	38.54	1.77
		20	29.39	1.59	31.21	1.65	33.04	1.71	34.35	1.73	36.69	1.76	38.51	1.79
		25	29.36	1.61	31.19	1.67	33.01	1.73	34.33	1.75	36.66	1.78	38.48	1.82
		30	29.34	1.63	31.16	1.69	32.99	1.76	34.30	1.78	36.63	1.81	38.45	1.85
		35	29.32	1.66	31.14	1.72	32.96	1.78	34.28	1.80	36.60	1.83	38.42	1.87
		40	29.30	1.68	31.12	1.74	32.94	1.80	34.25	1.82	36.57	1.86	38.39	1.90
		45	29.27	1.70	31.09	1.76	32.91	1.83	34.22	1.85	36.55	1.88	38.36	1.92
		50	29.25	1.72	31.07	1.79	32.89	1.85	34.20	1.87	36.52	1.91	38.34	1.95
		55	29.23	1.75	31.04	1.81	32.86	1.88	34.17	1.90	36.49	1.93	38.31	1.97
		60	29.21	1.77	31.02	1.83	32.83	1.90	34.14	1.92	36.46	1.96	38.28	2.00
		65	29.18	1.79	31.00	1.86	32.81	1.92	34.12	1.95	36.43	1.98	38.25	2.02
		70	29.16	1.81	30.97	1.88	32.78	1.95	34.09	1.97	36.41	2.01	38.22	2.05
		75	28.46	1.91	30.27	1.98	32.07	2.05	33.38	2.08	35.69	2.12	37.49	2.16
		80	27.76	2.01	29.56	2.08	31.36	2.16	32.66	2.18	34.97	2.23	36.77	2.27
		85	27.06	2.11	28.86	2.18	30.66	2.26	31.96	2.29	34.25	2.33	36.05	2.38
		90	26.37	2.21	28.16	2.29	29.95	2.37	31.25	2.40	33.54	2.44	35.33	2.49
		95	25.61	2.30	27.40	2.39	29.18	2.47	30.00	2.50	32.75	2.55	34.53	2.60
		100	24.99	2.40	26.77	2.49	28.56	2.58	29.61	2.61	32.13	2.66	33.91	2.71
		105	24.37	2.50	26.15	2.59	27.93	2.69	29.22	2.72	31.50	2.77	33.29	2.82
110		23.74	2.60	25.53	2.69	27.31	2.79	28.60	2.82	30.88	2.88	32.66	2.93	
115		23.12	2.69	24.90	2.79	26.69	2.90	27.98	2.93	30.26	2.98	32.04	3.04	
118	22.74	2.75	24.53	2.85	26.31	2.96	27.60	2.99	29.88	3.05	31.67	3.11		
122	22.62	2.83	24.40	2.94	26.19	3.04	27.48	3.08	29.76	3.14	31.54	3.20		

TC = Total Capacity (kBtu/h).

PI = Power Input (kW).

Nominal capacity as rated: 0 ft. above sea level with 25 ft. of refrigerant piping.
0 ft. level difference between outdoor and indoor units.

Nominal cooling capacity rating obtained with air entering the indoor unit at 80°F dry bulb (DB) and 67°F wet bulb (WB), and outdoor ambient conditions of 95°F dry bulb (DB) and 75°F wet bulb (WB).

The shaded table columns and rows indicate reference data. When operating at this temperature, these values can be different if the system is not running consistently.

Multi F and Multi F MAX Heat Pump System Engineering Manual

Table 162: LMU36CHV Cooling Capacity Table — Mixed Indoor Units (continued).

Connected Indoor Units	Combination Capacity Index	Outdoor Air Temp. (°F DB)	Indoor Air Temp. °F DB / °F WB												
			68 / 57		73 / 61		77 / 64		80 / 67		86 / 72		90 / 75		
			TC	PI	TC	PI	TC	PI	TC	PI	TC	PI	TC	PI	
Four (4) Mixed Indoor Units	9 + 9 + 9 + 9	14	29.41	1.57	31.24	1.62	33.06	1.68	34.38	1.70	36.71	1.73	38.54	1.77	
		20	29.39	1.59	31.21	1.65	33.04	1.71	34.35	1.73	36.69	1.76	38.51	1.79	
		25	29.36	1.61	31.19	1.67	33.01	1.73	34.33	1.75	36.66	1.78	38.48	1.82	
		30	29.34	1.63	31.16	1.69	32.99	1.76	34.30	1.78	36.63	1.81	38.45	1.85	
		35	29.32	1.66	31.14	1.72	32.96	1.78	34.28	1.80	36.60	1.83	38.42	1.87	
		40	29.30	1.68	31.12	1.74	32.94	1.80	34.25	1.82	36.57	1.86	38.39	1.90	
		45	29.27	1.70	31.09	1.76	32.91	1.83	34.22	1.85	36.55	1.88	38.36	1.92	
		50	29.25	1.72	31.07	1.79	32.89	1.85	34.20	1.87	36.52	1.91	38.34	1.95	
		55	29.23	1.75	31.04	1.81	32.86	1.88	34.17	1.90	36.49	1.93	38.31	1.97	
		60	29.21	1.77	31.02	1.83	32.83	1.90	34.14	1.92	36.46	1.96	38.28	2.00	
		65	29.18	1.79	31.00	1.86	32.81	1.92	34.12	1.95	36.43	1.98	38.25	2.02	
		70	29.16	1.81	30.97	1.88	32.78	1.95	34.09	1.97	36.41	2.01	38.22	2.05	
		75	28.46	1.91	30.27	1.98	32.07	2.05	33.38	2.08	35.69	2.12	37.49	2.16	
		80	27.76	2.01	29.56	2.08	31.36	2.16	32.66	2.18	34.97	2.23	36.77	2.27	
		85	27.06	2.11	28.86	2.18	30.66	2.26	31.96	2.29	34.25	2.33	36.05	2.38	
		90	26.37	2.21	28.16	2.29	29.95	2.37	31.25	2.40	33.54	2.44	35.33	2.49	
		95	25.61	2.30	27.40	2.39	29.18	2.47	30.00	2.50	32.75	2.55	34.53	2.60	
		100	24.99	2.40	26.77	2.49	28.56	2.58	29.61	2.61	32.13	2.66	33.91	2.71	
		105	24.37	2.50	26.15	2.59	27.93	2.69	29.22	2.72	31.50	2.77	33.29	2.82	
		110	23.74	2.60	25.53	2.69	27.31	2.79	28.60	2.82	30.88	2.88	32.66	2.93	
		115	23.12	2.69	24.90	2.79	26.69	2.90	27.98	2.93	30.26	2.98	32.04	3.04	
		118	22.74	2.75	24.53	2.85	26.31	2.96	27.60	2.99	29.88	3.05	31.67	3.11	
	122	22.62	2.83	24.40	2.94	26.19	3.04	27.48	3.08	29.76	3.14	31.54	3.20		
		7 + 9 + 9 + 12	14	29.41	1.57	31.24	1.62	33.06	1.68	34.38	1.70	36.71	1.73	38.54	1.77
	20		29.39	1.59	31.21	1.65	33.04	1.71	34.35	1.73	36.69	1.76	38.51	1.79	
	25		29.36	1.61	31.19	1.67	33.01	1.73	34.33	1.75	36.66	1.78	38.48	1.82	
	30		29.34	1.63	31.16	1.69	32.99	1.76	34.30	1.78	36.63	1.81	38.45	1.85	
	35		29.32	1.66	31.14	1.72	32.96	1.78	34.28	1.80	36.60	1.83	38.42	1.87	
	40		29.30	1.68	31.12	1.74	32.94	1.80	34.25	1.82	36.57	1.86	38.39	1.90	
	45		29.27	1.70	31.09	1.76	32.91	1.83	34.22	1.85	36.55	1.88	38.36	1.92	
	50		29.25	1.72	31.07	1.79	32.89	1.85	34.20	1.87	36.52	1.91	38.34	1.95	
	55		29.23	1.75	31.04	1.81	32.86	1.88	34.17	1.90	36.49	1.93	38.31	1.97	
	60		29.21	1.77	31.02	1.83	32.83	1.90	34.14	1.92	36.46	1.96	38.28	2.00	
	65		29.18	1.79	31.00	1.86	32.81	1.92	34.12	1.95	36.43	1.98	38.25	2.02	
	70		29.16	1.81	30.97	1.88	32.78	1.95	34.09	1.97	36.41	2.01	38.22	2.05	
	75		28.46	1.91	30.27	1.98	32.07	2.05	33.38	2.08	35.69	2.12	37.49	2.16	
	80		27.76	2.01	29.56	2.08	31.36	2.16	32.66	2.18	34.97	2.23	36.77	2.27	
	85		27.06	2.11	28.86	2.18	30.66	2.26	31.96	2.29	34.25	2.33	36.05	2.38	
	90		26.37	2.21	28.16	2.29	29.95	2.37	31.25	2.40	33.54	2.44	35.33	2.49	
	95		25.61	2.30	27.40	2.39	29.18	2.47	30.00	2.50	32.75	2.55	34.53	2.60	
	100		24.99	2.40	26.77	2.49	28.56	2.58	29.61	2.61	32.13	2.66	33.91	2.71	
	105		24.37	2.50	26.15	2.59	27.93	2.69	29.22	2.72	31.50	2.77	33.29	2.82	
110	23.74		2.60	25.53	2.69	27.31	2.79	28.60	2.82	30.88	2.88	32.66	2.93		
115	23.12		2.69	24.90	2.79	26.69	2.90	27.98	2.93	30.26	2.98	32.04	3.04		
118	22.74		2.75	24.53	2.85	26.31	2.96	27.60	2.99	29.88	3.05	31.67	3.11		
122	22.62	2.83	24.40	2.94	26.19	3.04	27.48	3.08	29.76	3.14	31.54	3.20			

TC = Total Capacity (kBtu/h).

PI = Power Input (kW).

Nominal capacity as rated: 0 ft. above sea level with 25 ft. of refrigerant piping.
0 ft. level difference between outdoor and indoor units.

Nominal cooling capacity rating obtained with air entering the indoor unit at 80°F dry bulb (DB) and 67°F wet bulb (WB), and outdoor ambient conditions of 95°F dry bulb (DB) and 75°F wet bulb (WB).

The shaded table columns and rows indicate reference data. When operating at this temperature, these values can be different if the system is not running consistently.

PERFORMANCE DATA

Cooling Capacity Tables

MULTI F
MULTI F MAX

Table 163: LMU36CHV Cooling Capacity Table — Mixed Indoor Units (continued).

Connected Indoor Units	Combination Capacity Index	Outdoor Air Temp. (°F DB)	Indoor Air Temp. °F DB / °F WB											
			68 / 57		73 / 61		77 / 64		80 / 67		86 / 72		90 / 75	
			TC	PI	TC	PI	TC	PI	TC	PI	TC	PI	TC	PI
Four (4) Mixed Indoor Units	7 + 7 + 9 + 15	14	29.41	1.57	31.24	1.62	33.06	1.68	34.38	1.70	36.71	1.73	38.54	1.77
		20	29.39	1.59	31.21	1.65	33.04	1.71	34.35	1.73	36.69	1.76	38.51	1.79
		25	29.36	1.61	31.19	1.67	33.01	1.73	34.33	1.75	36.66	1.78	38.48	1.82
		30	29.34	1.63	31.16	1.69	32.99	1.76	34.30	1.78	36.63	1.81	38.45	1.85
		35	29.32	1.66	31.14	1.72	32.96	1.78	34.28	1.80	36.60	1.83	38.42	1.87
		40	29.30	1.68	31.12	1.74	32.94	1.80	34.25	1.82	36.57	1.86	38.39	1.90
		45	29.27	1.70	31.09	1.76	32.91	1.83	34.22	1.85	36.55	1.88	38.36	1.92
		50	29.25	1.72	31.07	1.79	32.89	1.85	34.20	1.87	36.52	1.91	38.34	1.95
		55	29.23	1.75	31.04	1.81	32.86	1.88	34.17	1.90	36.49	1.93	38.31	1.97
		60	29.21	1.77	31.02	1.83	32.83	1.90	34.14	1.92	36.46	1.96	38.28	2.00
		65	29.18	1.79	31.00	1.86	32.81	1.92	34.12	1.95	36.43	1.98	38.25	2.02
		70	29.16	1.81	30.97	1.88	32.78	1.95	34.09	1.97	36.41	2.01	38.22	2.05
		75	28.46	1.91	30.27	1.98	32.07	2.05	33.38	2.08	35.69	2.12	37.49	2.16
		80	27.76	2.01	29.56	2.08	31.36	2.16	32.66	2.18	34.97	2.23	36.77	2.27
		85	27.06	2.11	28.86	2.18	30.66	2.26	31.96	2.29	34.25	2.33	36.05	2.38
		90	26.37	2.21	28.16	2.29	29.95	2.37	31.25	2.40	33.54	2.44	35.33	2.49
		95	25.61	2.30	27.40	2.39	29.18	2.47	30.00	2.50	32.75	2.55	34.53	2.60
		100	24.99	2.40	26.77	2.49	28.56	2.58	29.61	2.61	32.13	2.66	33.91	2.71
		105	24.37	2.50	26.15	2.59	27.93	2.69	29.22	2.72	31.50	2.77	33.29	2.82
		110	23.74	2.60	25.53	2.69	27.31	2.79	28.60	2.82	30.88	2.88	32.66	2.93
		115	23.12	2.69	24.90	2.79	26.69	2.90	27.98	2.93	30.26	2.98	32.04	3.04
		118	22.74	2.75	24.53	2.85	26.31	2.96	27.60	2.99	29.88	3.05	31.67	3.11
	122	22.62	2.83	24.40	2.94	26.19	3.04	27.48	3.08	29.76	3.14	31.54	3.20	
	7 + 7 + 12 + 12	14	29.41	1.57	31.24	1.62	33.06	1.68	34.38	1.70	36.71	1.73	38.54	1.77
		20	29.39	1.59	31.21	1.65	33.04	1.71	34.35	1.73	36.69	1.76	38.51	1.79
		25	29.36	1.61	31.19	1.67	33.01	1.73	34.33	1.75	36.66	1.78	38.48	1.82
		30	29.34	1.63	31.16	1.69	32.99	1.76	34.30	1.78	36.63	1.81	38.45	1.85
		35	29.32	1.66	31.14	1.72	32.96	1.78	34.28	1.80	36.60	1.83	38.42	1.87
		40	29.30	1.68	31.12	1.74	32.94	1.80	34.25	1.82	36.57	1.86	38.39	1.90
		45	29.27	1.70	31.09	1.76	32.91	1.83	34.22	1.85	36.55	1.88	38.36	1.92
		50	29.25	1.72	31.07	1.79	32.89	1.85	34.20	1.87	36.52	1.91	38.34	1.95
		55	29.23	1.75	31.04	1.81	32.86	1.88	34.17	1.90	36.49	1.93	38.31	1.97
		60	29.21	1.77	31.02	1.83	32.83	1.90	34.14	1.92	36.46	1.96	38.28	2.00
		65	29.18	1.79	31.00	1.86	32.81	1.92	34.12	1.95	36.43	1.98	38.25	2.02
		70	29.16	1.81	30.97	1.88	32.78	1.95	34.09	1.97	36.41	2.01	38.22	2.05
		75	28.46	1.91	30.27	1.98	32.07	2.05	33.38	2.08	35.69	2.12	37.49	2.16
		80	27.76	2.01	29.56	2.08	31.36	2.16	32.66	2.18	34.97	2.23	36.77	2.27
		85	27.06	2.11	28.86	2.18	30.66	2.26	31.96	2.29	34.25	2.33	36.05	2.38
		90	26.37	2.21	28.16	2.29	29.95	2.37	31.25	2.40	33.54	2.44	35.33	2.49
		95	25.61	2.30	27.40	2.39	29.18	2.47	30.00	2.50	32.75	2.55	34.53	2.60
		100	24.99	2.40	26.77	2.49	28.56	2.58	29.61	2.61	32.13	2.66	33.91	2.71
		105	24.37	2.50	26.15	2.59	27.93	2.69	29.22	2.72	31.50	2.77	33.29	2.82
110		23.74	2.60	25.53	2.69	27.31	2.79	28.60	2.82	30.88	2.88	32.66	2.93	
115		23.12	2.69	24.90	2.79	26.69	2.90	27.98	2.93	30.26	2.98	32.04	3.04	
118		22.74	2.75	24.53	2.85	26.31	2.96	27.60	2.99	29.88	3.05	31.67	3.11	
122	22.62	2.83	24.40	2.94	26.19	3.04	27.48	3.08	29.76	3.14	31.54	3.20		

TC = Total Capacity (kBtu/h).

PI = Power Input (kW).

Nominal capacity as rated: 0 ft. above sea level with 25 ft. of refrigerant piping.
0 ft. level difference between outdoor and indoor units.

Nominal cooling capacity rating obtained with air entering the indoor unit at 80°F dry bulb (DB) and 67°F wet bulb (WB), and outdoor ambient conditions of 95°F dry bulb (DB) and 75°F wet bulb (WB).

The shaded table columns and rows indicate reference data. When operating at this temperature, these values can be different if the system is not running consistently.

Multi F and Multi F MAX Heat Pump System Engineering Manual

Table 164: LMU36CHV Cooling Capacity Table — Mixed Indoor Units (continued).

Connected Indoor Units	Combination Capacity Index	Outdoor Air Temp. (°F DB)	Indoor Air Temp. °F DB / °F WB											
			68 / 57		73 / 61		77 / 64		80 / 67		86 / 72		90 / 75	
			TC	PI	TC	PI	TC	PI	TC	PI	TC	PI	TC	PI
Four (4) Mixed Indoor Units	7 + 7 + 7 + 18	14	29.41	1.57	31.24	1.62	33.06	1.68	34.38	1.70	36.71	1.73	38.54	1.77
		20	29.39	1.59	31.21	1.65	33.04	1.71	34.35	1.73	36.69	1.76	38.51	1.79
		25	29.36	1.61	31.19	1.67	33.01	1.73	34.33	1.75	36.66	1.78	38.48	1.82
		30	29.34	1.63	31.16	1.69	32.99	1.76	34.30	1.78	36.63	1.81	38.45	1.85
		35	29.32	1.66	31.14	1.72	32.96	1.78	34.28	1.80	36.60	1.83	38.42	1.87
		40	29.30	1.68	31.12	1.74	32.94	1.80	34.25	1.82	36.57	1.86	38.39	1.90
		45	29.27	1.70	31.09	1.76	32.91	1.83	34.22	1.85	36.55	1.88	38.36	1.92
		50	29.25	1.72	31.07	1.79	32.89	1.85	34.20	1.87	36.52	1.91	38.34	1.95
		55	29.23	1.75	31.04	1.81	32.86	1.88	34.17	1.90	36.49	1.93	38.31	1.97
		60	29.21	1.77	31.02	1.83	32.83	1.90	34.14	1.92	36.46	1.96	38.28	2.00
		65	29.18	1.79	31.00	1.86	32.81	1.92	34.12	1.95	36.43	1.98	38.25	2.02
		70	29.16	1.81	30.97	1.88	32.78	1.95	34.09	1.97	36.41	2.01	38.22	2.05
		75	28.46	1.91	30.27	1.98	32.07	2.05	33.38	2.08	35.69	2.12	37.49	2.16
		80	27.76	2.01	29.56	2.08	31.36	2.16	32.66	2.18	34.97	2.23	36.77	2.27
		85	27.06	2.11	28.86	2.18	30.66	2.26	31.96	2.29	34.25	2.33	36.05	2.38
		90	26.37	2.21	28.16	2.29	29.95	2.37	31.25	2.40	33.54	2.44	35.33	2.49
		95	25.61	2.30	27.40	2.39	29.18	2.47	30.00	2.50	32.75	2.55	34.53	2.60
		100	24.99	2.40	26.77	2.49	28.56	2.58	29.61	2.61	32.13	2.66	33.91	2.71
	105	24.37	2.50	26.15	2.59	27.93	2.69	29.22	2.72	31.50	2.77	33.29	2.82	
	110	23.74	2.60	25.53	2.69	27.31	2.79	28.60	2.82	30.88	2.88	32.66	2.93	
	115	23.12	2.69	24.90	2.79	26.69	2.90	27.98	2.93	30.26	2.98	32.04	3.04	
	118	22.74	2.75	24.53	2.85	26.31	2.96	27.60	2.99	29.88	3.05	31.67	3.11	
	122	22.62	2.83	24.40	2.94	26.19	3.04	27.48	3.08	29.76	3.14	31.54	3.20	
	9 + 9 + 9 + 12	14	29.41	1.57	31.24	1.62	33.06	1.68	34.38	1.70	36.71	1.73	38.54	1.77
		20	29.39	1.59	31.21	1.65	33.04	1.71	34.35	1.73	36.69	1.76	38.51	1.79
		25	29.36	1.61	31.19	1.67	33.01	1.73	34.33	1.75	36.66	1.78	38.48	1.82
		30	29.34	1.63	31.16	1.69	32.99	1.76	34.30	1.78	36.63	1.81	38.45	1.85
		35	29.32	1.66	31.14	1.72	32.96	1.78	34.28	1.80	36.60	1.83	38.42	1.87
		40	29.30	1.68	31.12	1.74	32.94	1.80	34.25	1.82	36.57	1.86	38.39	1.90
		45	29.27	1.70	31.09	1.76	32.91	1.83	34.22	1.85	36.55	1.88	38.36	1.92
		50	29.25	1.72	31.07	1.79	32.89	1.85	34.20	1.87	36.52	1.91	38.34	1.95
		55	29.23	1.75	31.04	1.81	32.86	1.88	34.17	1.90	36.49	1.93	38.31	1.97
		60	29.21	1.77	31.02	1.83	32.83	1.90	34.14	1.92	36.46	1.96	38.28	2.00
		65	29.18	1.79	31.00	1.86	32.81	1.92	34.12	1.95	36.43	1.98	38.25	2.02
		70	29.16	1.81	30.97	1.88	32.78	1.95	34.09	1.97	36.41	2.01	38.22	2.05
		75	28.46	1.91	30.27	1.98	32.07	2.05	33.38	2.08	35.69	2.12	37.49	2.16
80		27.76	2.01	29.56	2.08	31.36	2.16	32.66	2.18	34.97	2.23	36.77	2.27	
85		27.06	2.11	28.86	2.18	30.66	2.26	31.96	2.29	34.25	2.33	36.05	2.38	
90		26.37	2.21	28.16	2.29	29.95	2.37	31.25	2.40	33.54	2.44	35.33	2.49	
95		25.61	2.30	27.40	2.39	29.18	2.47	30.00	2.50	32.75	2.55	34.53	2.60	
100		24.99	2.40	26.77	2.49	28.56	2.58	29.61	2.61	32.13	2.66	33.91	2.71	
105	24.37	2.50	26.15	2.59	27.93	2.69	29.22	2.72	31.50	2.77	33.29	2.82		
110	23.74	2.60	25.53	2.69	27.31	2.79	28.60	2.82	30.88	2.88	32.66	2.93		
115	23.12	2.69	24.90	2.79	26.69	2.90	27.98	2.93	30.26	2.98	32.04	3.04		
118	22.74	2.75	24.53	2.85	26.31	2.96	27.60	2.99	29.88	3.05	31.67	3.11		
122	22.62	2.83	24.40	2.94	26.19	3.04	27.48	3.08	29.76	3.14	31.54	3.20		

TC = Total Capacity (kBtu/h).

PI = Power Input (kW).

Nominal capacity as rated: 0 ft. above sea level with 25 ft. of refrigerant piping.
0 ft. level difference between outdoor and indoor units.

Nominal cooling capacity rating obtained with air entering the indoor unit at 80°F dry bulb (DB) and 67°F wet bulb (WB), and outdoor ambient conditions of 95°F dry bulb (DB) and 75°F wet bulb (WB).

The shaded table columns and rows indicate reference data. When operating at this temperature, these values can be different if the system is not running consistently.

PERFORMANCE DATA

Cooling Capacity Tables

MULTI F
MULTI F MAX

Table 165: LMU36CHV Cooling Capacity Table — Mixed Indoor Units (continued).

Connected Indoor Units	Combination Capacity Index	Outdoor Air Temp. (°F DB)	Indoor Air Temp. °F DB / °F WB											
			68 / 57		73 / 61		77 / 64		80 / 67		86 / 72		90 / 75	
			TC	PI	TC	PI	TC	PI	TC	PI	TC	PI	TC	PI
Four (4) Mixed Indoor Units	7 + 9 + 9 + 15	14	29.41	1.57	31.24	1.62	33.06	1.68	34.38	1.70	36.71	1.73	38.54	1.77
		20	29.39	1.59	31.21	1.65	33.04	1.71	34.35	1.73	36.69	1.76	38.51	1.79
		25	29.36	1.61	31.19	1.67	33.01	1.73	34.33	1.75	36.66	1.78	38.48	1.82
		30	29.34	1.63	31.16	1.69	32.99	1.76	34.30	1.78	36.63	1.81	38.45	1.85
		35	29.32	1.66	31.14	1.72	32.96	1.78	34.28	1.80	36.60	1.83	38.42	1.87
		40	29.30	1.68	31.12	1.74	32.94	1.80	34.25	1.82	36.57	1.86	38.39	1.90
		45	29.27	1.70	31.09	1.76	32.91	1.83	34.22	1.85	36.55	1.88	38.36	1.92
		50	29.25	1.72	31.07	1.79	32.89	1.85	34.20	1.87	36.52	1.91	38.34	1.95
		55	29.23	1.75	31.04	1.81	32.86	1.88	34.17	1.90	36.49	1.93	38.31	1.97
		60	29.21	1.77	31.02	1.83	32.83	1.90	34.14	1.92	36.46	1.96	38.28	2.00
		65	29.18	1.79	31.00	1.86	32.81	1.92	34.12	1.95	36.43	1.98	38.25	2.02
		70	29.16	1.81	30.97	1.88	32.78	1.95	34.09	1.97	36.41	2.01	38.22	2.05
		75	28.46	1.91	30.27	1.98	32.07	2.05	33.38	2.08	35.69	2.12	37.49	2.16
		80	27.76	2.01	29.56	2.08	31.36	2.16	32.66	2.18	34.97	2.23	36.77	2.27
		85	27.06	2.11	28.86	2.18	30.66	2.26	31.96	2.29	34.25	2.33	36.05	2.38
		90	26.37	2.21	28.16	2.29	29.95	2.37	31.25	2.40	33.54	2.44	35.33	2.49
		95	25.61	2.30	27.40	2.39	29.18	2.47	30.00	2.50	32.75	2.55	34.53	2.60
		100	24.99	2.40	26.77	2.49	28.56	2.58	29.61	2.61	32.13	2.66	33.91	2.71
		105	24.37	2.50	26.15	2.59	27.93	2.69	29.22	2.72	31.50	2.77	33.29	2.82
		110	23.74	2.60	25.53	2.69	27.31	2.79	28.60	2.82	30.88	2.88	32.66	2.93
		115	23.12	2.69	24.90	2.79	26.69	2.90	27.98	2.93	30.26	2.98	32.04	3.04
	118	22.74	2.75	24.53	2.85	26.31	2.96	27.60	2.99	29.88	3.05	31.67	3.11	
	122	22.62	2.83	24.40	2.94	26.19	3.04	27.48	3.08	29.76	3.14	31.54	3.20	
	7 + 9 + 12 + 12	14	29.41	1.57	31.24	1.62	33.06	1.68	34.38	1.70	36.71	1.73	38.54	1.77
		20	29.39	1.59	31.21	1.65	33.04	1.71	34.35	1.73	36.69	1.76	38.51	1.79
		25	29.36	1.61	31.19	1.67	33.01	1.73	34.33	1.75	36.66	1.78	38.48	1.82
		30	29.34	1.63	31.16	1.69	32.99	1.76	34.30	1.78	36.63	1.81	38.45	1.85
		35	29.32	1.66	31.14	1.72	32.96	1.78	34.28	1.80	36.60	1.83	38.42	1.87
		40	29.30	1.68	31.12	1.74	32.94	1.80	34.25	1.82	36.57	1.86	38.39	1.90
		45	29.27	1.70	31.09	1.76	32.91	1.83	34.22	1.85	36.55	1.88	38.36	1.92
		50	29.25	1.72	31.07	1.79	32.89	1.85	34.20	1.87	36.52	1.91	38.34	1.95
		55	29.23	1.75	31.04	1.81	32.86	1.88	34.17	1.90	36.49	1.93	38.31	1.97
		60	29.21	1.77	31.02	1.83	32.83	1.90	34.14	1.92	36.46	1.96	38.28	2.00
		65	29.18	1.79	31.00	1.86	32.81	1.92	34.12	1.95	36.43	1.98	38.25	2.02
		70	29.16	1.81	30.97	1.88	32.78	1.95	34.09	1.97	36.41	2.01	38.22	2.05
		75	28.46	1.91	30.27	1.98	32.07	2.05	33.38	2.08	35.69	2.12	37.49	2.16
		80	27.76	2.01	29.56	2.08	31.36	2.16	32.66	2.18	34.97	2.23	36.77	2.27
		85	27.06	2.11	28.86	2.18	30.66	2.26	31.96	2.29	34.25	2.33	36.05	2.38
		90	26.37	2.21	28.16	2.29	29.95	2.37	31.25	2.40	33.54	2.44	35.33	2.49
		95	25.61	2.30	27.40	2.39	29.18	2.47	30.00	2.50	32.75	2.55	34.53	2.60
		100	24.99	2.40	26.77	2.49	28.56	2.58	29.61	2.61	32.13	2.66	33.91	2.71
		105	24.37	2.50	26.15	2.59	27.93	2.69	29.22	2.72	31.50	2.77	33.29	2.82
110		23.74	2.60	25.53	2.69	27.31	2.79	28.60	2.82	30.88	2.88	32.66	2.93	
115		23.12	2.69	24.90	2.79	26.69	2.90	27.98	2.93	30.26	2.98	32.04	3.04	
118	22.74	2.75	24.53	2.85	26.31	2.96	27.60	2.99	29.88	3.05	31.67	3.11		
122	22.62	2.83	24.40	2.94	26.19	3.04	27.48	3.08	29.76	3.14	31.54	3.20		

TC = Total Capacity (kBtu/h).

PI = Power Input (kW).

Nominal capacity as rated: 0 ft. above sea level with 25 ft. of refrigerant piping.
0 ft. level difference between outdoor and indoor units.

Nominal cooling capacity rating obtained with air entering the indoor unit at 80°F dry bulb (DB) and 67°F wet bulb (WB), and outdoor ambient conditions of 95°F dry bulb (DB) and 75°F wet bulb (WB).

The shaded table columns and rows indicate reference data. When operating at this temperature, these values can be different if the system is not running consistently.

Table 166: LMU36CHV Cooling Capacity Table — Mixed Indoor Units (continued).

Connected Indoor Units	Combination Capacity Index	Outdoor Air Temp. (°F DB)	Indoor Air Temp. °F DB / °F WB											
			68 / 57		73 / 61		77 / 64		80 / 67		86 / 72		90 / 75	
			TC	PI	TC	PI	TC	PI	TC	PI	TC	PI	TC	PI
Four (4) Mixed Indoor Units	7 + 7 + 9 + 18	14	29.41	1.57	31.24	1.62	33.06	1.68	34.38	1.70	36.71	1.73	38.54	1.77
		20	29.39	1.59	31.21	1.65	33.04	1.71	34.35	1.73	36.69	1.76	38.51	1.79
		25	29.36	1.61	31.19	1.67	33.01	1.73	34.33	1.75	36.66	1.78	38.48	1.82
		30	29.34	1.63	31.16	1.69	32.99	1.76	34.30	1.78	36.63	1.81	38.45	1.85
		35	29.32	1.66	31.14	1.72	32.96	1.78	34.28	1.80	36.60	1.83	38.42	1.87
		40	29.30	1.68	31.12	1.74	32.94	1.80	34.25	1.82	36.57	1.86	38.39	1.90
		45	29.27	1.70	31.09	1.76	32.91	1.83	34.22	1.85	36.55	1.88	38.36	1.92
		50	29.25	1.72	31.07	1.79	32.89	1.85	34.20	1.87	36.52	1.91	38.34	1.95
		55	29.23	1.75	31.04	1.81	32.86	1.88	34.17	1.90	36.49	1.93	38.31	1.97
		60	29.21	1.77	31.02	1.83	32.83	1.90	34.14	1.92	36.46	1.96	38.28	2.00
		65	29.18	1.79	31.00	1.86	32.81	1.92	34.12	1.95	36.43	1.98	38.25	2.02
		70	29.16	1.81	30.97	1.88	32.78	1.95	34.09	1.97	36.41	2.01	38.22	2.05
		75	28.46	1.91	30.27	1.98	32.07	2.05	33.38	2.08	35.69	2.12	37.49	2.16
		80	27.76	2.01	29.56	2.08	31.36	2.16	32.66	2.18	34.97	2.23	36.77	2.27
		85	27.06	2.11	28.86	2.18	30.66	2.26	31.96	2.29	34.25	2.33	36.05	2.38
		90	26.37	2.21	28.16	2.29	29.95	2.37	31.25	2.40	33.54	2.44	35.33	2.49
		95	25.61	2.30	27.40	2.39	29.18	2.47	30.00	2.50	32.75	2.55	34.53	2.60
		100	24.99	2.40	26.77	2.49	28.56	2.58	29.61	2.61	32.13	2.66	33.91	2.71
		105	24.37	2.50	26.15	2.59	27.93	2.69	29.22	2.72	31.50	2.77	33.29	2.82
		110	23.74	2.60	25.53	2.69	27.31	2.79	28.60	2.82	30.88	2.88	32.66	2.93
		115	23.12	2.69	24.90	2.79	26.69	2.90	27.98	2.93	30.26	2.98	32.04	3.04
	118	22.74	2.75	24.53	2.85	26.31	2.96	27.60	2.99	29.88	3.05	31.67	3.11	
	122	22.62	2.83	24.40	2.94	26.19	3.04	27.48	3.08	29.76	3.14	31.54	3.20	
	7 + 7 + 12 + 15	14	29.41	1.57	31.24	1.62	33.06	1.68	34.38	1.70	36.71	1.73	38.54	1.77
		20	29.39	1.59	31.21	1.65	33.04	1.71	34.35	1.73	36.69	1.76	38.51	1.79
		25	29.36	1.61	31.19	1.67	33.01	1.73	34.33	1.75	36.66	1.78	38.48	1.82
		30	29.34	1.63	31.16	1.69	32.99	1.76	34.30	1.78	36.63	1.81	38.45	1.85
		35	29.32	1.66	31.14	1.72	32.96	1.78	34.28	1.80	36.60	1.83	38.42	1.87
		40	29.30	1.68	31.12	1.74	32.94	1.80	34.25	1.82	36.57	1.86	38.39	1.90
		45	29.27	1.70	31.09	1.76	32.91	1.83	34.22	1.85	36.55	1.88	38.36	1.92
		50	29.25	1.72	31.07	1.79	32.89	1.85	34.20	1.87	36.52	1.91	38.34	1.95
		55	29.23	1.75	31.04	1.81	32.86	1.88	34.17	1.90	36.49	1.93	38.31	1.97
		60	29.21	1.77	31.02	1.83	32.83	1.90	34.14	1.92	36.46	1.96	38.28	2.00
		65	29.18	1.79	31.00	1.86	32.81	1.92	34.12	1.95	36.43	1.98	38.25	2.02
		70	29.16	1.81	30.97	1.88	32.78	1.95	34.09	1.97	36.41	2.01	38.22	2.05
		75	28.46	1.91	30.27	1.98	32.07	2.05	33.38	2.08	35.69	2.12	37.49	2.16
		80	27.76	2.01	29.56	2.08	31.36	2.16	32.66	2.18	34.97	2.23	36.77	2.27
		85	27.06	2.11	28.86	2.18	30.66	2.26	31.96	2.29	34.25	2.33	36.05	2.38
		90	26.37	2.21	28.16	2.29	29.95	2.37	31.25	2.40	33.54	2.44	35.33	2.49
		95	25.61	2.30	27.40	2.39	29.18	2.47	30.00	2.50	32.75	2.55	34.53	2.60
		100	24.99	2.40	26.77	2.49	28.56	2.58	29.61	2.61	32.13	2.66	33.91	2.71
		105	24.37	2.50	26.15	2.59	27.93	2.69	29.22	2.72	31.50	2.77	33.29	2.82
110		23.74	2.60	25.53	2.69	27.31	2.79	28.60	2.82	30.88	2.88	32.66	2.93	
115		23.12	2.69	24.90	2.79	26.69	2.90	27.98	2.93	30.26	2.98	32.04	3.04	
118	22.74	2.75	24.53	2.85	26.31	2.96	27.60	2.99	29.88	3.05	31.67	3.11		
122	22.62	2.83	24.40	2.94	26.19	3.04	27.48	3.08	29.76	3.14	31.54	3.20		

TC = Total Capacity (kBtu/h).

PI = Power Input (kW).

Nominal capacity as rated: 0 ft. above sea level with 25 ft. of refrigerant piping.
0 ft. level difference between outdoor and indoor units.

Nominal cooling capacity rating obtained with air entering the indoor unit at 80°F dry bulb (DB) and 67°F wet bulb (WB), and outdoor ambient conditions of 95°F dry bulb (DB) and 75°F wet bulb (WB).

The shaded table columns and rows indicate reference data. When operating at this temperature, these values can be different if the system is not running consistently.

Multi F Outdoor Unit Data

PERFORMANCE DATA

Cooling Capacity Tables

MULTI F
MULTI F MAX

Table 167: LMU36CHV Cooling Capacity Table — Mixed Indoor Units (continued).

Connected Indoor Units	Combination Capacity Index	Outdoor Air Temp. (°F DB)	Indoor Air Temp. °F DB / °F WB											
			68 / 57		73 / 61		77 / 64		80 / 67		86 / 72		90 / 75	
			TC	PI	TC	PI	TC	PI	TC	PI	TC	PI	TC	PI
Four (4) Mixed Indoor Units	9 + 9 + 9 + 15	14	29.41	1.57	31.24	1.62	33.06	1.68	34.38	1.70	36.71	1.73	38.54	1.77
		20	29.39	1.59	31.21	1.65	33.04	1.71	34.35	1.73	36.69	1.76	38.51	1.79
		25	29.36	1.61	31.19	1.67	33.01	1.73	34.33	1.75	36.66	1.78	38.48	1.82
		30	29.34	1.63	31.16	1.69	32.99	1.76	34.30	1.78	36.63	1.81	38.45	1.85
		35	29.32	1.66	31.14	1.72	32.96	1.78	34.28	1.80	36.60	1.83	38.42	1.87
		40	29.30	1.68	31.12	1.74	32.94	1.80	34.25	1.82	36.57	1.86	38.39	1.90
		45	29.27	1.70	31.09	1.76	32.91	1.83	34.22	1.85	36.55	1.88	38.36	1.92
		50	29.25	1.72	31.07	1.79	32.89	1.85	34.20	1.87	36.52	1.91	38.34	1.95
		55	29.23	1.75	31.04	1.81	32.86	1.88	34.17	1.90	36.49	1.93	38.31	1.97
		60	29.21	1.77	31.02	1.83	32.83	1.90	34.14	1.92	36.46	1.96	38.28	2.00
		65	29.18	1.79	31.00	1.86	32.81	1.92	34.12	1.95	36.43	1.98	38.25	2.02
		70	29.16	1.81	30.97	1.88	32.78	1.95	34.09	1.97	36.41	2.01	38.22	2.05
		75	28.46	1.91	30.27	1.98	32.07	2.05	33.38	2.08	35.69	2.12	37.49	2.16
		80	27.76	2.01	29.56	2.08	31.36	2.16	32.66	2.18	34.97	2.23	36.77	2.27
		85	27.06	2.11	28.86	2.18	30.66	2.26	31.96	2.29	34.25	2.33	36.05	2.38
		90	26.37	2.21	28.16	2.29	29.95	2.37	31.25	2.40	33.54	2.44	35.33	2.49
		95	25.61	2.30	27.40	2.39	29.18	2.47	30.00	2.50	32.75	2.55	34.53	2.60
		100	24.99	2.40	26.77	2.49	28.56	2.58	29.61	2.61	32.13	2.66	33.91	2.71
		105	24.37	2.50	26.15	2.59	27.93	2.69	29.22	2.72	31.50	2.77	33.29	2.82
		110	23.74	2.60	25.53	2.69	27.31	2.79	28.60	2.82	30.88	2.88	32.66	2.93
		115	23.12	2.69	24.90	2.79	26.69	2.90	27.98	2.93	30.26	2.98	32.04	3.04
	118	22.74	2.75	24.53	2.85	26.31	2.96	27.60	2.99	29.88	3.05	31.67	3.11	
	122	22.62	2.83	24.40	2.94	26.19	3.04	27.48	3.08	29.76	3.14	31.54	3.20	
	9 + 9 + 12 + 12	14	29.41	1.57	31.24	1.62	33.06	1.68	34.38	1.70	36.71	1.73	38.54	1.77
		20	29.39	1.59	31.21	1.65	33.04	1.71	34.35	1.73	36.69	1.76	38.51	1.79
		25	29.36	1.61	31.19	1.67	33.01	1.73	34.33	1.75	36.66	1.78	38.48	1.82
		30	29.34	1.63	31.16	1.69	32.99	1.76	34.30	1.78	36.63	1.81	38.45	1.85
		35	29.32	1.66	31.14	1.72	32.96	1.78	34.28	1.80	36.60	1.83	38.42	1.87
		40	29.30	1.68	31.12	1.74	32.94	1.80	34.25	1.82	36.57	1.86	38.39	1.90
		45	29.27	1.70	31.09	1.76	32.91	1.83	34.22	1.85	36.55	1.88	38.36	1.92
		50	29.25	1.72	31.07	1.79	32.89	1.85	34.20	1.87	36.52	1.91	38.34	1.95
		55	29.23	1.75	31.04	1.81	32.86	1.88	34.17	1.90	36.49	1.93	38.31	1.97
		60	29.21	1.77	31.02	1.83	32.83	1.90	34.14	1.92	36.46	1.96	38.28	2.00
		65	29.18	1.79	31.00	1.86	32.81	1.92	34.12	1.95	36.43	1.98	38.25	2.02
		70	29.16	1.81	30.97	1.88	32.78	1.95	34.09	1.97	36.41	2.01	38.22	2.05
		75	28.46	1.91	30.27	1.98	32.07	2.05	33.38	2.08	35.69	2.12	37.49	2.16
		80	27.76	2.01	29.56	2.08	31.36	2.16	32.66	2.18	34.97	2.23	36.77	2.27
		85	27.06	2.11	28.86	2.18	30.66	2.26	31.96	2.29	34.25	2.33	36.05	2.38
		90	26.37	2.21	28.16	2.29	29.95	2.37	31.25	2.40	33.54	2.44	35.33	2.49
		95	25.61	2.30	27.40	2.39	29.18	2.47	30.00	2.50	32.75	2.55	34.53	2.60
		100	24.99	2.40	26.77	2.49	28.56	2.58	29.61	2.61	32.13	2.66	33.91	2.71
		105	24.37	2.50	26.15	2.59	27.93	2.69	29.22	2.72	31.50	2.77	33.29	2.82
110		23.74	2.60	25.53	2.69	27.31	2.79	28.60	2.82	30.88	2.88	32.66	2.93	
115		23.12	2.69	24.90	2.79	26.69	2.90	27.98	2.93	30.26	2.98	32.04	3.04	
118	22.74	2.75	24.53	2.85	26.31	2.96	27.60	2.99	29.88	3.05	31.67	3.11		
122	22.62	2.83	24.40	2.94	26.19	3.04	27.48	3.08	29.76	3.14	31.54	3.20		

TC = Total Capacity (kBtu/h).

PI = Power Input (kW).

Nominal capacity as rated: 0 ft. above sea level with 25 ft. of refrigerant piping.
0 ft. level difference between outdoor and indoor units.

Nominal cooling capacity rating obtained with air entering the indoor unit at 80°F dry bulb (DB) and 67°F wet bulb (WB), and outdoor ambient conditions of 95°F dry bulb (DB) and 75°F wet bulb (WB).

The shaded table columns and rows indicate reference data. When operating at this temperature, these values can be different if the system is not running consistently.



Multi F and Multi F MAX Heat Pump System Engineering Manual

Table 168: LMU36CHV Cooling Capacity Table — Mixed Indoor Units (continued).

Connected Indoor Units	Combination Capacity Index	Outdoor Air Temp. (°F DB)	Indoor Air Temp. °F DB / °F WB											
			68 / 57		73 / 61		77 / 64		80 / 67		86 / 72		90 / 75	
			TC	PI	TC	PI	TC	PI	TC	PI	TC	PI	TC	PI
Four (4) Mixed Indoor Units	7 + 9 + 9 + 18	14	29.41	1.57	31.24	1.62	33.06	1.68	34.38	1.70	36.71	1.73	38.54	1.77
		20	29.39	1.59	31.21	1.65	33.04	1.71	34.35	1.73	36.69	1.76	38.51	1.79
		25	29.36	1.61	31.19	1.67	33.01	1.73	34.33	1.75	36.66	1.78	38.48	1.82
		30	29.34	1.63	31.16	1.69	32.99	1.76	34.30	1.78	36.63	1.81	38.45	1.85
		35	29.32	1.66	31.14	1.72	32.96	1.78	34.28	1.80	36.60	1.83	38.42	1.87
		40	29.30	1.68	31.12	1.74	32.94	1.80	34.25	1.82	36.57	1.86	38.39	1.90
		45	29.27	1.70	31.09	1.76	32.91	1.83	34.22	1.85	36.55	1.88	38.36	1.92
		50	29.25	1.72	31.07	1.79	32.89	1.85	34.20	1.87	36.52	1.91	38.34	1.95
		55	29.23	1.75	31.04	1.81	32.86	1.88	34.17	1.90	36.49	1.93	38.31	1.97
		60	29.21	1.77	31.02	1.83	32.83	1.90	34.14	1.92	36.46	1.96	38.28	2.00
		65	29.18	1.79	31.00	1.86	32.81	1.92	34.12	1.95	36.43	1.98	38.25	2.02
		70	29.16	1.81	30.97	1.88	32.78	1.95	34.09	1.97	36.41	2.01	38.22	2.05
		75	28.46	1.91	30.27	1.98	32.07	2.05	33.38	2.08	35.69	2.12	37.49	2.16
		80	27.76	2.01	29.56	2.08	31.36	2.16	32.66	2.18	34.97	2.23	36.77	2.27
		85	27.06	2.11	28.86	2.18	30.66	2.26	31.96	2.29	34.25	2.33	36.05	2.38
		90	26.37	2.21	28.16	2.29	29.95	2.37	31.25	2.40	33.54	2.44	35.33	2.49
		95	25.61	2.30	27.40	2.39	29.18	2.47	30.00	2.50	32.75	2.55	34.53	2.60
		100	24.99	2.40	26.77	2.49	28.56	2.58	29.61	2.61	32.13	2.66	33.91	2.71
		105	24.37	2.50	26.15	2.59	27.93	2.69	29.22	2.72	31.50	2.77	33.29	2.82
		110	23.74	2.60	25.53	2.69	27.31	2.79	28.60	2.82	30.88	2.88	32.66	2.93
		115	23.12	2.69	24.90	2.79	26.69	2.90	27.98	2.93	30.26	2.98	32.04	3.04
	118	22.74	2.75	24.53	2.85	26.31	2.96	27.60	2.99	29.88	3.05	31.67	3.11	
	122	22.62	2.83	24.40	2.94	26.19	3.04	27.48	3.08	29.76	3.14	31.54	3.20	
	7 + 9 + 12 + 15	14	29.41	1.57	31.24	1.62	33.06	1.68	34.38	1.70	36.71	1.73	38.54	1.77
		20	29.39	1.59	31.21	1.65	33.04	1.71	34.35	1.73	36.69	1.76	38.51	1.79
		25	29.36	1.61	31.19	1.67	33.01	1.73	34.33	1.75	36.66	1.78	38.48	1.82
		30	29.34	1.63	31.16	1.69	32.99	1.76	34.30	1.78	36.63	1.81	38.45	1.85
		35	29.32	1.66	31.14	1.72	32.96	1.78	34.28	1.80	36.60	1.83	38.42	1.87
		40	29.30	1.68	31.12	1.74	32.94	1.80	34.25	1.82	36.57	1.86	38.39	1.90
		45	29.27	1.70	31.09	1.76	32.91	1.83	34.22	1.85	36.55	1.88	38.36	1.92
		50	29.25	1.72	31.07	1.79	32.89	1.85	34.20	1.87	36.52	1.91	38.34	1.95
		55	29.23	1.75	31.04	1.81	32.86	1.88	34.17	1.90	36.49	1.93	38.31	1.97
		60	29.21	1.77	31.02	1.83	32.83	1.90	34.14	1.92	36.46	1.96	38.28	2.00
		65	29.18	1.79	31.00	1.86	32.81	1.92	34.12	1.95	36.43	1.98	38.25	2.02
		70	29.16	1.81	30.97	1.88	32.78	1.95	34.09	1.97	36.41	2.01	38.22	2.05
		75	28.46	1.91	30.27	1.98	32.07	2.05	33.38	2.08	35.69	2.12	37.49	2.16
		80	27.76	2.01	29.56	2.08	31.36	2.16	32.66	2.18	34.97	2.23	36.77	2.27
		85	27.06	2.11	28.86	2.18	30.66	2.26	31.96	2.29	34.25	2.33	36.05	2.38
		90	26.37	2.21	28.16	2.29	29.95	2.37	31.25	2.40	33.54	2.44	35.33	2.49
		95	25.61	2.30	27.40	2.39	29.18	2.47	30.00	2.50	32.75	2.55	34.53	2.60
		100	24.99	2.40	26.77	2.49	28.56	2.58	29.61	2.61	32.13	2.66	33.91	2.71
		105	24.37	2.50	26.15	2.59	27.93	2.69	29.22	2.72	31.50	2.77	33.29	2.82
110		23.74	2.60	25.53	2.69	27.31	2.79	28.60	2.82	30.88	2.88	32.66	2.93	
115		23.12	2.69	24.90	2.79	26.69	2.90	27.98	2.93	30.26	2.98	32.04	3.04	
118	22.74	2.75	24.53	2.85	26.31	2.96	27.60	2.99	29.88	3.05	31.67	3.11		
122	22.62	2.83	24.40	2.94	26.19	3.04	27.48	3.08	29.76	3.14	31.54	3.20		

TC = Total Capacity (kBtu/h).

PI = Power Input (kW).

Nominal capacity as rated: 0 ft. above sea level with 25 ft. of refrigerant piping.
0 ft. level difference between outdoor and indoor units.

Nominal cooling capacity rating obtained with air entering the indoor unit at 80°F dry bulb (DB) and 67°F wet bulb (WB), and outdoor ambient conditions of 95°F dry bulb (DB) and 75°F wet bulb (WB).

The shaded table columns and rows indicate reference data. When operating at this temperature, these values can be different if the system is not running consistently.

PERFORMANCE DATA

Cooling Capacity Tables

MULTI F
MULTI F MAX

Table 169: LMU36CHV Cooling Capacity Table — Mixed Indoor Units (continued).

Connected Indoor Units	Combination Capacity Index	Outdoor Air Temp. (°F DB)	Indoor Air Temp. °F DB / °F WB											
			68 / 57		73 / 61		77 / 64		80 / 67		86 / 72		90 / 75	
			TC	PI	TC	PI	TC	PI	TC	PI	TC	PI	TC	PI
Four (4) Mixed Indoor Units	7 + 12 + 12 + 12	14	29.41	1.57	31.24	1.62	33.06	1.68	34.38	1.70	36.71	1.73	38.54	1.77
		20	29.39	1.59	31.21	1.65	33.04	1.71	34.35	1.73	36.69	1.76	38.51	1.79
		25	29.36	1.61	31.19	1.67	33.01	1.73	34.33	1.75	36.66	1.78	38.48	1.82
		30	29.34	1.63	31.16	1.69	32.99	1.76	34.30	1.78	36.63	1.81	38.45	1.85
		35	29.32	1.66	31.14	1.72	32.96	1.78	34.28	1.80	36.60	1.83	38.42	1.87
		40	29.30	1.68	31.12	1.74	32.94	1.80	34.25	1.82	36.57	1.86	38.39	1.90
		45	29.27	1.70	31.09	1.76	32.91	1.83	34.22	1.85	36.55	1.88	38.36	1.92
		50	29.25	1.72	31.07	1.79	32.89	1.85	34.20	1.87	36.52	1.91	38.34	1.95
		55	29.23	1.75	31.04	1.81	32.86	1.88	34.17	1.90	36.49	1.93	38.31	1.97
		60	29.21	1.77	31.02	1.83	32.83	1.90	34.14	1.92	36.46	1.96	38.28	2.00
		65	29.18	1.79	31.00	1.86	32.81	1.92	34.12	1.95	36.43	1.98	38.25	2.02
		70	29.16	1.81	30.97	1.88	32.78	1.95	34.09	1.97	36.41	2.01	38.22	2.05
		75	28.46	1.91	30.27	1.98	32.07	2.05	33.38	2.08	35.69	2.12	37.49	2.16
		80	27.76	2.01	29.56	2.08	31.36	2.16	32.66	2.18	34.97	2.23	36.77	2.27
		85	27.06	2.11	28.86	2.18	30.66	2.26	31.96	2.29	34.25	2.33	36.05	2.38
		90	26.37	2.21	28.16	2.29	29.95	2.37	31.25	2.40	33.54	2.44	35.33	2.49
		95	25.61	2.30	27.40	2.39	29.18	2.47	30.00	2.50	32.75	2.55	34.53	2.60
		100	24.99	2.40	26.77	2.49	28.56	2.58	29.61	2.61	32.13	2.66	33.91	2.71
		105	24.37	2.50	26.15	2.59	27.93	2.69	29.22	2.72	31.50	2.77	33.29	2.82
		110	23.74	2.60	25.53	2.69	27.31	2.79	28.60	2.82	30.88	2.88	32.66	2.93
		115	23.12	2.69	24.90	2.79	26.69	2.90	27.98	2.93	30.26	2.98	32.04	3.04
		118	22.74	2.75	24.53	2.85	26.31	2.96	27.60	2.99	29.88	3.05	31.67	3.11
	122	22.62	2.83	24.40	2.94	26.19	3.04	27.48	3.08	29.76	3.14	31.54	3.20	
	7 + 7 + 12 + 18	14	29.41	1.57	31.24	1.62	33.06	1.68	34.38	1.70	36.71	1.73	38.54	1.77
		20	29.39	1.59	31.21	1.65	33.04	1.71	34.35	1.73	36.69	1.76	38.51	1.79
		25	29.36	1.61	31.19	1.67	33.01	1.73	34.33	1.75	36.66	1.78	38.48	1.82
		30	29.34	1.63	31.16	1.69	32.99	1.76	34.30	1.78	36.63	1.81	38.45	1.85
		35	29.32	1.66	31.14	1.72	32.96	1.78	34.28	1.80	36.60	1.83	38.42	1.87
		40	29.30	1.68	31.12	1.74	32.94	1.80	34.25	1.82	36.57	1.86	38.39	1.90
		45	29.27	1.70	31.09	1.76	32.91	1.83	34.22	1.85	36.55	1.88	38.36	1.92
		50	29.25	1.72	31.07	1.79	32.89	1.85	34.20	1.87	36.52	1.91	38.34	1.95
		55	29.23	1.75	31.04	1.81	32.86	1.88	34.17	1.90	36.49	1.93	38.31	1.97
		60	29.21	1.77	31.02	1.83	32.83	1.90	34.14	1.92	36.46	1.96	38.28	2.00
		65	29.18	1.79	31.00	1.86	32.81	1.92	34.12	1.95	36.43	1.98	38.25	2.02
		70	29.16	1.81	30.97	1.88	32.78	1.95	34.09	1.97	36.41	2.01	38.22	2.05
		75	28.46	1.91	30.27	1.98	32.07	2.05	33.38	2.08	35.69	2.12	37.49	2.16
		80	27.76	2.01	29.56	2.08	31.36	2.16	32.66	2.18	34.97	2.23	36.77	2.27
		85	27.06	2.11	28.86	2.18	30.66	2.26	31.96	2.29	34.25	2.33	36.05	2.38
		90	26.37	2.21	28.16	2.29	29.95	2.37	31.25	2.40	33.54	2.44	35.33	2.49
		95	25.61	2.30	27.40	2.39	29.18	2.47	30.00	2.50	32.75	2.55	34.53	2.60
		100	24.99	2.40	26.77	2.49	28.56	2.58	29.61	2.61	32.13	2.66	33.91	2.71
		105	24.37	2.50	26.15	2.59	27.93	2.69	29.22	2.72	31.50	2.77	33.29	2.82
110		23.74	2.60	25.53	2.69	27.31	2.79	28.60	2.82	30.88	2.88	32.66	2.93	
115	23.12	2.69	24.90	2.79	26.69	2.90	27.98	2.93	30.26	2.98	32.04	3.04		
118	22.74	2.75	24.53	2.85	26.31	2.96	27.60	2.99	29.88	3.05	31.67	3.11		
122	22.62	2.83	24.40	2.94	26.19	3.04	27.48	3.08	29.76	3.14	31.54	3.20		

TC = Total Capacity (kBtu/h).

PI = Power Input (kW).

Nominal capacity as rated: 0 ft. above sea level with 25 ft. of refrigerant piping.
0 ft. level difference between outdoor and indoor units.

Nominal cooling capacity rating obtained with air entering the indoor unit at 80°F dry bulb (DB) and 67°F wet bulb (WB), and outdoor ambient conditions of 95°F dry bulb (DB) and 75°F wet bulb (WB).

The shaded table columns and rows indicate reference data. When operating at this temperature, these values can be different if the system is not running consistently.

Multi F and Multi F MAX Heat Pump System Engineering Manual

Table 170: LMU36CHV Cooling Capacity Table — Mixed Indoor Units (continued).

Connected Indoor Units	Combination Capacity Index	Outdoor Air Temp. (°F DB)	Indoor Air Temp. °F DB / °F WB											
			68 / 57		73 / 61		77 / 64		80 / 67		86 / 72		90 / 75	
			TC	PI	TC	PI	TC	PI	TC	PI	TC	PI	TC	PI
Four (4) Mixed Indoor Units	7 + 7 + 7 + 24*	14	29.41	1.57	31.24	1.62	33.06	1.68	34.38	1.70	36.71	1.73	38.54	1.77
		20	29.39	1.59	31.21	1.65	33.04	1.71	34.35	1.73	36.69	1.76	38.51	1.79
		25	29.36	1.61	31.19	1.67	33.01	1.73	34.33	1.75	36.66	1.78	38.48	1.82
		30	29.34	1.63	31.16	1.69	32.99	1.76	34.30	1.78	36.63	1.81	38.45	1.85
		35	29.32	1.66	31.14	1.72	32.96	1.78	34.28	1.80	36.60	1.83	38.42	1.87
		40	29.30	1.68	31.12	1.74	32.94	1.80	34.25	1.82	36.57	1.86	38.39	1.90
		45	29.27	1.70	31.09	1.76	32.91	1.83	34.22	1.85	36.55	1.88	38.36	1.92
		50	29.25	1.72	31.07	1.79	32.89	1.85	34.20	1.87	36.52	1.91	38.34	1.95
		55	29.23	1.75	31.04	1.81	32.86	1.88	34.17	1.90	36.49	1.93	38.31	1.97
		60	29.21	1.77	31.02	1.83	32.83	1.90	34.14	1.92	36.46	1.96	38.28	2.00
		65	29.18	1.79	31.00	1.86	32.81	1.92	34.12	1.95	36.43	1.98	38.25	2.02
		70	29.16	1.81	30.97	1.88	32.78	1.95	34.09	1.97	36.41	2.01	38.22	2.05
		75	28.46	1.91	30.27	1.98	32.07	2.05	33.38	2.08	35.69	2.12	37.49	2.16
		80	27.76	2.01	29.56	2.08	31.36	2.16	32.66	2.18	34.97	2.23	36.77	2.27
		85	27.06	2.11	28.86	2.18	30.66	2.26	31.96	2.29	34.25	2.33	36.05	2.38
		90	26.37	2.21	28.16	2.29	29.95	2.37	31.25	2.40	33.54	2.44	35.33	2.49
		95	25.61	2.30	27.40	2.39	29.18	2.47	30.50	2.50	32.75	2.55	34.53	2.60
		100	24.99	2.40	26.77	2.49	28.56	2.58	29.61	2.61	32.13	2.66	33.91	2.71
		105	24.37	2.50	26.15	2.59	27.93	2.69	29.22	2.72	31.50	2.77	33.29	2.82
		110	23.74	2.60	25.53	2.69	27.31	2.79	28.60	2.82	30.88	2.88	32.66	2.93
		115	23.12	2.69	24.90	2.79	26.69	2.90	27.98	2.93	30.26	2.98	32.04	3.04
		118	22.74	2.75	24.53	2.85	26.31	2.96	27.60	2.99	29.88	3.05	31.67	3.11
	122	22.62	2.83	24.40	2.94	26.19	3.04	27.48	3.08	29.76	3.14	31.54	3.20	
	9 + 9 + 9 + 18	14	29.41	1.57	31.24	1.62	33.06	1.68	34.38	1.70	36.71	1.73	38.54	1.77
		20	29.39	1.59	31.21	1.65	33.04	1.71	34.35	1.73	36.69	1.76	38.51	1.79
		25	29.36	1.61	31.19	1.67	33.01	1.73	34.33	1.75	36.66	1.78	38.48	1.82
		30	29.34	1.63	31.16	1.69	32.99	1.76	34.30	1.78	36.63	1.81	38.45	1.85
		35	29.32	1.66	31.14	1.72	32.96	1.78	34.28	1.80	36.60	1.83	38.42	1.87
		40	29.30	1.68	31.12	1.74	32.94	1.80	34.25	1.82	36.57	1.86	38.39	1.90
		45	29.27	1.70	31.09	1.76	32.91	1.83	34.22	1.85	36.55	1.88	38.36	1.92
		50	29.25	1.72	31.07	1.79	32.89	1.85	34.20	1.87	36.52	1.91	38.34	1.95
		55	29.23	1.75	31.04	1.81	32.86	1.88	34.17	1.90	36.49	1.93	38.31	1.97
		60	29.21	1.77	31.02	1.83	32.83	1.90	34.14	1.92	36.46	1.96	38.28	2.00
		65	29.18	1.79	31.00	1.86	32.81	1.92	34.12	1.95	36.43	1.98	38.25	2.02
		70	29.16	1.81	30.97	1.88	32.78	1.95	34.09	1.97	36.41	2.01	38.22	2.05
		75	28.46	1.91	30.27	1.98	32.07	2.05	33.38	2.08	35.69	2.12	37.49	2.16
		80	27.76	2.01	29.56	2.08	31.36	2.16	32.66	2.18	34.97	2.23	36.77	2.27
		85	27.06	2.11	28.86	2.18	30.66	2.26	31.96	2.29	34.25	2.33	36.05	2.38
		90	26.37	2.21	28.16	2.29	29.95	2.37	31.25	2.40	33.54	2.44	35.33	2.49
		95	25.61	2.30	27.40	2.39	29.18	2.47	30.50	2.50	32.75	2.55	34.53	2.60
		100	24.99	2.40	26.77	2.49	28.56	2.58	29.61	2.61	32.13	2.66	33.91	2.71
		105	24.37	2.50	26.15	2.59	27.93	2.69	29.22	2.72	31.50	2.77	33.29	2.82
		110	23.74	2.60	25.53	2.69	27.31	2.79	28.60	2.82	30.88	2.88	32.66	2.93
		115	23.12	2.69	24.90	2.79	26.69	2.90	27.98	2.93	30.26	2.98	32.04	3.04
118		22.74	2.75	24.53	2.85	26.31	2.96	27.60	2.99	29.88	3.05	31.67	3.11	
122	22.62	2.83	24.40	2.94	26.19	3.04	27.48	3.08	29.76	3.14	31.54	3.20		

TC = Total Capacity (kBtu/h).

PI = Power Input (kW).

Nominal capacity as rated: 0 ft. above sea level with 25 ft. of refrigerant piping.
0 ft. level difference between outdoor and indoor units.

Nominal cooling capacity rating obtained with air entering the indoor unit at 80°F dry

bulb (DB) and 67°F wet bulb (WB), and outdoor ambient conditions of 95°F dry bulb (DB) and 75°F wet bulb (WB).

The shaded table columns and rows indicate reference data. When operating at this temperature, these values can be different if the system is not running consistently.

*The indoor unit must be non-ducted type.

PERFORMANCE DATA

Cooling Capacity Tables

MULTI F
MULTI F MAX

Table 171: LMU36CHV Cooling Capacity Table — Mixed Indoor Units (continued).

Connected Indoor Units	Combination Capacity Index	Outdoor Air Temp. (°F DB)	Indoor Air Temp. °F DB / °F WB											
			68 / 57		73 / 61		77 / 64		80 / 67		86 / 72		90 / 75	
			TC	PI	TC	PI	TC	PI	TC	PI	TC	PI	TC	PI
Four (4) Mixed Indoor Units	9 + 9 + 12 + 15	14	29.41	1.57	31.24	1.62	33.06	1.68	34.38	1.70	36.71	1.73	38.54	1.77
		20	29.39	1.59	31.21	1.65	33.04	1.71	34.35	1.73	36.69	1.76	38.51	1.79
		25	29.36	1.61	31.19	1.67	33.01	1.73	34.33	1.75	36.66	1.78	38.48	1.82
		30	29.34	1.63	31.16	1.69	32.99	1.76	34.30	1.78	36.63	1.81	38.45	1.85
		35	29.32	1.66	31.14	1.72	32.96	1.78	34.28	1.80	36.60	1.83	38.42	1.87
		40	29.30	1.68	31.12	1.74	32.94	1.80	34.25	1.82	36.57	1.86	38.39	1.90
		45	29.27	1.70	31.09	1.76	32.91	1.83	34.22	1.85	36.55	1.88	38.36	1.92
		50	29.25	1.72	31.07	1.79	32.89	1.85	34.20	1.87	36.52	1.91	38.34	1.95
		55	29.23	1.75	31.04	1.81	32.86	1.88	34.17	1.90	36.49	1.93	38.31	1.97
		60	29.21	1.77	31.02	1.83	32.83	1.90	34.14	1.92	36.46	1.96	38.28	2.00
		65	29.18	1.79	31.00	1.86	32.81	1.92	34.12	1.95	36.43	1.98	38.25	2.02
		70	29.16	1.81	30.97	1.88	32.78	1.95	34.09	1.97	36.41	2.01	38.22	2.05
		75	28.46	1.91	30.27	1.98	32.07	2.05	33.38	2.08	35.69	2.12	37.49	2.16
		80	27.76	2.01	29.56	2.08	31.36	2.16	32.66	2.18	34.97	2.23	36.77	2.27
		85	27.06	2.11	28.86	2.18	30.66	2.26	31.96	2.29	34.25	2.33	36.05	2.38
		90	26.37	2.21	28.16	2.29	29.95	2.37	31.25	2.40	33.54	2.44	35.33	2.49
		95	25.61	2.30	27.40	2.39	29.18	2.47	30.00	2.50	32.75	2.55	34.53	2.60
		100	24.99	2.40	26.77	2.49	28.56	2.58	29.61	2.61	32.13	2.66	33.91	2.71
		105	24.37	2.50	26.15	2.59	27.93	2.69	29.22	2.72	31.50	2.77	33.29	2.82
		110	23.74	2.60	25.53	2.69	27.31	2.79	28.60	2.82	30.88	2.88	32.66	2.93
		115	23.12	2.69	24.90	2.79	26.69	2.90	27.98	2.93	30.26	2.98	32.04	3.04
		118	22.74	2.75	24.53	2.85	26.31	2.96	27.60	2.99	29.88	3.05	31.67	3.11
	122	22.62	2.83	24.40	2.94	26.19	3.04	27.48	3.08	29.76	3.14	31.54	3.20	
	9 + 12 + 12 + 12	14	29.41	1.57	31.24	1.62	33.06	1.68	34.38	1.70	36.71	1.73	38.54	1.77
		20	29.39	1.59	31.21	1.65	33.04	1.71	34.35	1.73	36.69	1.76	38.51	1.79
		25	29.36	1.61	31.19	1.67	33.01	1.73	34.33	1.75	36.66	1.78	38.48	1.82
		30	29.34	1.63	31.16	1.69	32.99	1.76	34.30	1.78	36.63	1.81	38.45	1.85
		35	29.32	1.66	31.14	1.72	32.96	1.78	34.28	1.80	36.60	1.83	38.42	1.87
		40	29.30	1.68	31.12	1.74	32.94	1.80	34.25	1.82	36.57	1.86	38.39	1.90
		45	29.27	1.70	31.09	1.76	32.91	1.83	34.22	1.85	36.55	1.88	38.36	1.92
		50	29.25	1.72	31.07	1.79	32.89	1.85	34.20	1.87	36.52	1.91	38.34	1.95
		55	29.23	1.75	31.04	1.81	32.86	1.88	34.17	1.90	36.49	1.93	38.31	1.97
		60	29.21	1.77	31.02	1.83	32.83	1.90	34.14	1.92	36.46	1.96	38.28	2.00
		65	29.18	1.79	31.00	1.86	32.81	1.92	34.12	1.95	36.43	1.98	38.25	2.02
		70	29.16	1.81	30.97	1.88	32.78	1.95	34.09	1.97	36.41	2.01	38.22	2.05
		75	28.46	1.91	30.27	1.98	32.07	2.05	33.38	2.08	35.69	2.12	37.49	2.16
		80	27.76	2.01	29.56	2.08	31.36	2.16	32.66	2.18	34.97	2.23	36.77	2.27
		85	27.06	2.11	28.86	2.18	30.66	2.26	31.96	2.29	34.25	2.33	36.05	2.38
		90	26.37	2.21	28.16	2.29	29.95	2.37	31.25	2.40	33.54	2.44	35.33	2.49
		95	25.61	2.30	27.40	2.39	29.18	2.47	30.00	2.50	32.75	2.55	34.53	2.60
		100	24.99	2.40	26.77	2.49	28.56	2.58	29.61	2.61	32.13	2.66	33.91	2.71
		105	24.37	2.50	26.15	2.59	27.93	2.69	29.22	2.72	31.50	2.77	33.29	2.82
110		23.74	2.60	25.53	2.69	27.31	2.79	28.60	2.82	30.88	2.88	32.66	2.93	
115		23.12	2.69	24.90	2.79	26.69	2.90	27.98	2.93	30.26	2.98	32.04	3.04	
118		22.74	2.75	24.53	2.85	26.31	2.96	27.60	2.99	29.88	3.05	31.67	3.11	
122	22.62	2.83	24.40	2.94	26.19	3.04	27.48	3.08	29.76	3.14	31.54	3.20		

TC = Total Capacity (kBtu/h).

PI = Power Input (kW).

Nominal capacity as rated: 0 ft. above sea level with 25 ft. of refrigerant piping.
0 ft. level difference between outdoor and indoor units.

Nominal cooling capacity rating obtained with air entering the indoor unit at 80°F dry bulb (DB) and 67°F wet bulb (WB), and outdoor ambient conditions of 95°F dry bulb (DB) and 75°F wet bulb (WB).

The shaded table columns and rows indicate reference data. When operating at this temperature, these values can be different if the system is not running consistently.



Multi F and Multi F MAX Heat Pump System Engineering Manual

Table 172: LMU36CHV Cooling Capacity Table — Mixed Indoor Units (continued).

Connected Indoor Units	Combination Capacity Index	Outdoor Air Temp. (°F DB)	Indoor Air Temp. °F DB / °F WB											
			68 / 57		73 / 61		77 / 64		80 / 67		86 / 72		90 / 75	
			TC	PI	TC	PI	TC	PI	TC	PI	TC	PI	TC	PI
Four (4) Mixed Indoor Units	7 + 9 + 12 + 18	14	29.41	1.57	31.24	1.62	33.06	1.68	34.38	1.70	36.71	1.73	38.54	1.77
		20	29.39	1.59	31.21	1.65	33.04	1.71	34.35	1.73	36.69	1.76	38.51	1.79
		25	29.36	1.61	31.19	1.67	33.01	1.73	34.33	1.75	36.66	1.78	38.48	1.82
		30	29.34	1.63	31.16	1.69	32.99	1.76	34.30	1.78	36.63	1.81	38.45	1.85
		35	29.32	1.66	31.14	1.72	32.96	1.78	34.28	1.80	36.60	1.83	38.42	1.87
		40	29.30	1.68	31.12	1.74	32.94	1.80	34.25	1.82	36.57	1.86	38.39	1.90
		45	29.27	1.70	31.09	1.76	32.91	1.83	34.22	1.85	36.55	1.88	38.36	1.92
		50	29.25	1.72	31.07	1.79	32.89	1.85	34.20	1.87	36.52	1.91	38.34	1.95
		55	29.23	1.75	31.04	1.81	32.86	1.88	34.17	1.90	36.49	1.93	38.31	1.97
		60	29.21	1.77	31.02	1.83	32.83	1.90	34.14	1.92	36.46	1.96	38.28	2.00
		65	29.18	1.79	31.00	1.86	32.81	1.92	34.12	1.95	36.43	1.98	38.25	2.02
		70	29.16	1.81	30.97	1.88	32.78	1.95	34.09	1.97	36.41	2.01	38.22	2.05
		75	28.46	1.91	30.27	1.98	32.07	2.05	33.38	2.08	35.69	2.12	37.49	2.16
		80	27.76	2.01	29.56	2.08	31.36	2.16	32.66	2.18	34.97	2.23	36.77	2.27
		85	27.06	2.11	28.86	2.18	30.66	2.26	31.96	2.29	34.25	2.33	36.05	2.38
		90	26.37	2.21	28.16	2.29	29.95	2.37	31.25	2.40	33.54	2.44	35.33	2.49
		95	25.61	2.30	27.40	2.39	29.18	2.47	30.50	2.50	32.75	2.55	34.53	2.60
		100	24.99	2.40	26.77	2.49	28.56	2.58	29.61	2.61	32.13	2.66	33.91	2.71
		105	24.37	2.50	26.15	2.59	27.93	2.69	29.22	2.72	31.50	2.77	33.29	2.82
		110	23.74	2.60	25.53	2.69	27.31	2.79	28.60	2.82	30.88	2.88	32.66	2.93
		115	23.12	2.69	24.90	2.79	26.69	2.90	27.98	2.93	30.26	2.98	32.04	3.04
		118	22.74	2.75	24.53	2.85	26.31	2.96	27.60	2.99	29.88	3.05	31.67	3.11
	122	22.62	2.83	24.40	2.94	26.19	3.04	27.48	3.08	29.76	3.14	31.54	3.20	
	7 + 9 + 15 + 15	14	29.41	1.57	31.24	1.62	33.06	1.68	34.38	1.70	36.71	1.73	38.54	1.77
		20	29.39	1.59	31.21	1.65	33.04	1.71	34.35	1.73	36.69	1.76	38.51	1.79
		25	29.36	1.61	31.19	1.67	33.01	1.73	34.33	1.75	36.66	1.78	38.48	1.82
		30	29.34	1.63	31.16	1.69	32.99	1.76	34.30	1.78	36.63	1.81	38.45	1.85
		35	29.32	1.66	31.14	1.72	32.96	1.78	34.28	1.80	36.60	1.83	38.42	1.87
		40	29.30	1.68	31.12	1.74	32.94	1.80	34.25	1.82	36.57	1.86	38.39	1.90
		45	29.27	1.70	31.09	1.76	32.91	1.83	34.22	1.85	36.55	1.88	38.36	1.92
		50	29.25	1.72	31.07	1.79	32.89	1.85	34.20	1.87	36.52	1.91	38.34	1.95
		55	29.23	1.75	31.04	1.81	32.86	1.88	34.17	1.90	36.49	1.93	38.31	1.97
		60	29.21	1.77	31.02	1.83	32.83	1.90	34.14	1.92	36.46	1.96	38.28	2.00
		65	29.18	1.79	31.00	1.86	32.81	1.92	34.12	1.95	36.43	1.98	38.25	2.02
		70	29.16	1.81	30.97	1.88	32.78	1.95	34.09	1.97	36.41	2.01	38.22	2.05
		75	28.46	1.91	30.27	1.98	32.07	2.05	33.38	2.08	35.69	2.12	37.49	2.16
		80	27.76	2.01	29.56	2.08	31.36	2.16	32.66	2.18	34.97	2.23	36.77	2.27
		85	27.06	2.11	28.86	2.18	30.66	2.26	31.96	2.29	34.25	2.33	36.05	2.38
		90	26.37	2.21	28.16	2.29	29.95	2.37	31.25	2.40	33.54	2.44	35.33	2.49
		95	25.61	2.30	27.40	2.39	29.18	2.47	30.50	2.50	32.75	2.55	34.53	2.60
		100	24.99	2.40	26.77	2.49	28.56	2.58	29.61	2.61	32.13	2.66	33.91	2.71
		105	24.37	2.50	26.15	2.59	27.93	2.69	29.22	2.72	31.50	2.77	33.29	2.82
110		23.74	2.60	25.53	2.69	27.31	2.79	28.60	2.82	30.88	2.88	32.66	2.93	
115		23.12	2.69	24.90	2.79	26.69	2.90	27.98	2.93	30.26	2.98	32.04	3.04	
118		22.74	2.75	24.53	2.85	26.31	2.96	27.60	2.99	29.88	3.05	31.67	3.11	
122	22.62	2.83	24.40	2.94	26.19	3.04	27.48	3.08	29.76	3.14	31.54	3.20		

TC = Total Capacity (kBtu/h).

PI = Power Input (kW).

Nominal capacity as rated: 0 ft. above sea level with 25 ft. of refrigerant piping.
0 ft. level difference between outdoor and indoor units.

Nominal cooling capacity rating obtained with air entering the indoor unit at 80°F dry bulb (DB) and 67°F wet bulb (WB), and outdoor ambient conditions of 95°F dry bulb (DB) and 75°F wet bulb (WB).

The shaded table columns and rows indicate reference data. When operating at this temperature, these values can be different if the system is not running consistently.

PERFORMANCE DATA

Cooling Capacity Tables

MULTI F
MULTI F MAX

Table 173: LMU36CHV Cooling Capacity Table — Mixed Indoor Units (continued).

Connected Indoor Units	Combination Capacity Index	Outdoor Air Temp. (°F DB)	Indoor Air Temp. °F DB / °F WB											
			68 / 57		73 / 61		77 / 64		80 / 67		86 / 72		90 / 75	
			TC	PI	TC	PI	TC	PI	TC	PI	TC	PI	TC	PI
Four (4) Mixed Indoor Units	7 + 12 + 12 + 15	14	29.41	1.57	31.24	1.62	33.06	1.68	34.38	1.70	36.71	1.73	38.54	1.77
		20	29.39	1.59	31.21	1.65	33.04	1.71	34.35	1.73	36.69	1.76	38.51	1.79
		25	29.36	1.61	31.19	1.67	33.01	1.73	34.33	1.75	36.66	1.78	38.48	1.82
		30	29.34	1.63	31.16	1.69	32.99	1.76	34.30	1.78	36.63	1.81	38.45	1.85
		35	29.32	1.66	31.14	1.72	32.96	1.78	34.28	1.80	36.60	1.83	38.42	1.87
		40	29.30	1.68	31.12	1.74	32.94	1.80	34.25	1.82	36.57	1.86	38.39	1.90
		45	29.27	1.70	31.09	1.76	32.91	1.83	34.22	1.85	36.55	1.88	38.36	1.92
		50	29.25	1.72	31.07	1.79	32.89	1.85	34.20	1.87	36.52	1.91	38.34	1.95
		55	29.23	1.75	31.04	1.81	32.86	1.88	34.17	1.90	36.49	1.93	38.31	1.97
		60	29.21	1.77	31.02	1.83	32.83	1.90	34.14	1.92	36.46	1.96	38.28	2.00
		65	29.18	1.79	31.00	1.86	32.81	1.92	34.12	1.95	36.43	1.98	38.25	2.02
		70	29.16	1.81	30.97	1.88	32.78	1.95	34.09	1.97	36.41	2.01	38.22	2.05
		75	28.46	1.91	30.27	1.98	32.07	2.05	33.38	2.08	35.69	2.12	37.49	2.16
		80	27.76	2.01	29.56	2.08	31.36	2.16	32.66	2.18	34.97	2.23	36.77	2.27
		85	27.06	2.11	28.86	2.18	30.66	2.26	31.96	2.29	34.25	2.33	36.05	2.38
		90	26.37	2.21	28.16	2.29	29.95	2.37	31.25	2.40	33.54	2.44	35.33	2.49
		95	25.61	2.30	27.40	2.39	29.18	2.47	30.00	2.50	32.75	2.55	34.53	2.60
		100	24.99	2.40	26.77	2.49	28.56	2.58	29.61	2.61	32.13	2.66	33.91	2.71
		105	24.37	2.50	26.15	2.59	27.93	2.69	29.22	2.72	31.50	2.77	33.29	2.82
		110	23.74	2.60	25.53	2.69	27.31	2.79	28.60	2.82	30.88	2.88	32.66	2.93
		115	23.12	2.69	24.90	2.79	26.69	2.90	27.98	2.93	30.26	2.98	32.04	3.04
		118	22.74	2.75	24.53	2.85	26.31	2.96	27.60	2.99	29.88	3.05	31.67	3.11
	122	22.62	2.83	24.40	2.94	26.19	3.04	27.48	3.08	29.76	3.14	31.54	3.20	
	7 + 7 + 9 + 24*	14	29.41	1.57	31.24	1.62	33.06	1.68	34.38	1.70	36.71	1.73	38.54	1.77
		20	29.39	1.59	31.21	1.65	33.04	1.71	34.35	1.73	36.69	1.76	38.51	1.79
		25	29.36	1.61	31.19	1.67	33.01	1.73	34.33	1.75	36.66	1.78	38.48	1.82
		30	29.34	1.63	31.16	1.69	32.99	1.76	34.30	1.78	36.63	1.81	38.45	1.85
		35	29.32	1.66	31.14	1.72	32.96	1.78	34.28	1.80	36.60	1.83	38.42	1.87
		40	29.30	1.68	31.12	1.74	32.94	1.80	34.25	1.82	36.57	1.86	38.39	1.90
		45	29.27	1.70	31.09	1.76	32.91	1.83	34.22	1.85	36.55	1.88	38.36	1.92
		50	29.25	1.72	31.07	1.79	32.89	1.85	34.20	1.87	36.52	1.91	38.34	1.95
		55	29.23	1.75	31.04	1.81	32.86	1.88	34.17	1.90	36.49	1.93	38.31	1.97
		60	29.21	1.77	31.02	1.83	32.83	1.90	34.14	1.92	36.46	1.96	38.28	2.00
		65	29.18	1.79	31.00	1.86	32.81	1.92	34.12	1.95	36.43	1.98	38.25	2.02
		70	29.16	1.81	30.97	1.88	32.78	1.95	34.09	1.97	36.41	2.01	38.22	2.05
		75	28.46	1.91	30.27	1.98	32.07	2.05	33.38	2.08	35.69	2.12	37.49	2.16
		80	27.76	2.01	29.56	2.08	31.36	2.16	32.66	2.18	34.97	2.23	36.77	2.27
		85	27.06	2.11	28.86	2.18	30.66	2.26	31.96	2.29	34.25	2.33	36.05	2.38
		90	26.37	2.21	28.16	2.29	29.95	2.37	31.25	2.40	33.54	2.44	35.33	2.49
		95	25.61	2.30	27.40	2.39	29.18	2.47	30.00	2.50	32.75	2.55	34.53	2.60
		100	24.99	2.40	26.77	2.49	28.56	2.58	29.61	2.61	32.13	2.66	33.91	2.71
		105	24.37	2.50	26.15	2.59	27.93	2.69	29.22	2.72	31.50	2.77	33.29	2.82
		110	23.74	2.60	25.53	2.69	27.31	2.79	28.60	2.82	30.88	2.88	32.66	2.93
		115	23.12	2.69	24.90	2.79	26.69	2.90	27.98	2.93	30.26	2.98	32.04	3.04
118		22.74	2.75	24.53	2.85	26.31	2.96	27.60	2.99	29.88	3.05	31.67	3.11	
122	22.62	2.83	24.40	2.94	26.19	3.04	27.48	3.08	29.76	3.14	31.54	3.20		

TC = Total Capacity (kBtu/h).

PI = Power Input (kW).

Nominal capacity as rated: 0 ft. above sea level with 25 ft. of refrigerant piping.
0 ft. level difference between outdoor and indoor units.

Nominal cooling capacity rating obtained with air entering the indoor unit at 80°F dry bulb (DB) and 67°F wet bulb (WB), and outdoor ambient conditions of 95°F dry bulb (DB) and 75°F wet bulb (WB).

The shaded table columns and rows indicate reference data. When operating at this temperature, these values can be different if the system is not running consistently.

*The indoor unit must be non-ducted type.

Multi F and Multi F MAX Heat Pump System Engineering Manual

Table 174: LMU36CHV Cooling Capacity Table — Mixed Indoor Units (continued).

Connected Indoor Units	Combination Capacity Index	Outdoor Air Temp. (°F DB)	Indoor Air Temp. °F DB / °F WB												
			68 / 57		73 / 61		77 / 64		80 / 67		86 / 72		90 / 75		
			TC	PI	TC	PI	TC	PI	TC	PI	TC	PI	TC	PI	
Four (4) Mixed Indoor Units	7 + 7 + 15 + 18	14	29.41	1.57	31.24	1.62	33.06	1.68	34.38	1.70	36.71	1.73	38.54	1.77	
		20	29.39	1.59	31.21	1.65	33.04	1.71	34.35	1.73	36.69	1.76	38.51	1.79	
		25	29.36	1.61	31.19	1.67	33.01	1.73	34.33	1.75	36.66	1.78	38.48	1.82	
		30	29.34	1.63	31.16	1.69	32.99	1.76	34.30	1.78	36.63	1.81	38.45	1.85	
		35	29.32	1.66	31.14	1.72	32.96	1.78	34.28	1.80	36.60	1.83	38.42	1.87	
		40	29.30	1.68	31.12	1.74	32.94	1.80	34.25	1.82	36.57	1.86	38.39	1.90	
		45	29.27	1.70	31.09	1.76	32.91	1.83	34.22	1.85	36.55	1.88	38.36	1.92	
		50	29.25	1.72	31.07	1.79	32.89	1.85	34.20	1.87	36.52	1.91	38.34	1.95	
		55	29.23	1.75	31.04	1.81	32.86	1.88	34.17	1.90	36.49	1.93	38.31	1.97	
		60	29.21	1.77	31.02	1.83	32.83	1.90	34.14	1.92	36.46	1.96	38.28	2.00	
		65	29.18	1.79	31.00	1.86	32.81	1.92	34.12	1.95	36.43	1.98	38.25	2.02	
		70	29.16	1.81	30.97	1.88	32.78	1.95	34.09	1.97	36.41	2.01	38.22	2.05	
		75	28.46	1.91	30.27	1.98	32.07	2.05	33.38	2.08	35.69	2.12	37.49	2.16	
		80	27.76	2.01	29.56	2.08	31.36	2.16	32.66	2.18	34.97	2.23	36.77	2.27	
		85	27.06	2.11	28.86	2.18	30.66	2.26	31.96	2.29	34.25	2.33	36.05	2.38	
		90	26.37	2.21	28.16	2.29	29.95	2.37	31.25	2.40	33.54	2.44	35.33	2.49	
		95	25.61	2.30	27.40	2.39	29.18	2.47	30.50	2.50	32.75	2.55	34.53	2.60	
		100	24.99	2.40	26.77	2.49	28.56	2.58	29.61	2.61	32.13	2.66	33.91	2.71	
		105	24.37	2.50	26.15	2.59	27.93	2.69	29.22	2.72	31.50	2.77	33.29	2.82	
		110	23.74	2.60	25.53	2.69	27.31	2.79	28.60	2.82	30.88	2.88	32.66	2.93	
		115	23.12	2.69	24.90	2.79	26.69	2.90	27.98	2.93	30.26	2.98	32.04	3.04	
		118	22.74	2.75	24.53	2.85	26.31	2.96	27.60	2.99	29.88	3.05	31.67	3.11	
	122	22.62	2.83	24.40	2.94	26.19	3.04	27.48	3.08	29.76	3.14	31.54	3.20		
		9 + 9 + 12 + 18	14	29.41	1.57	31.24	1.62	33.06	1.68	34.38	1.70	36.71	1.73	38.54	1.77
	20		29.39	1.59	31.21	1.65	33.04	1.71	34.35	1.73	36.69	1.76	38.51	1.79	
	25		29.36	1.61	31.19	1.67	33.01	1.73	34.33	1.75	36.66	1.78	38.48	1.82	
	30		29.34	1.63	31.16	1.69	32.99	1.76	34.30	1.78	36.63	1.81	38.45	1.85	
	35		29.32	1.66	31.14	1.72	32.96	1.78	34.28	1.80	36.60	1.83	38.42	1.87	
	40		29.30	1.68	31.12	1.74	32.94	1.80	34.25	1.82	36.57	1.86	38.39	1.90	
	45		29.27	1.70	31.09	1.76	32.91	1.83	34.22	1.85	36.55	1.88	38.36	1.92	
	50		29.25	1.72	31.07	1.79	32.89	1.85	34.20	1.87	36.52	1.91	38.34	1.95	
	55		29.23	1.75	31.04	1.81	32.86	1.88	34.17	1.90	36.49	1.93	38.31	1.97	
	60		29.21	1.77	31.02	1.83	32.83	1.90	34.14	1.92	36.46	1.96	38.28	2.00	
	65		29.18	1.79	31.00	1.86	32.81	1.92	34.12	1.95	36.43	1.98	38.25	2.02	
	70		29.16	1.81	30.97	1.88	32.78	1.95	34.09	1.97	36.41	2.01	38.22	2.05	
	75		28.46	1.91	30.27	1.98	32.07	2.05	33.38	2.08	35.69	2.12	37.49	2.16	
	80		27.76	2.01	29.56	2.08	31.36	2.16	32.66	2.18	34.97	2.23	36.77	2.27	
	85		27.06	2.11	28.86	2.18	30.66	2.26	31.96	2.29	34.25	2.33	36.05	2.38	
	90		26.37	2.21	28.16	2.29	29.95	2.37	31.25	2.40	33.54	2.44	35.33	2.49	
	95		25.61	2.30	27.40	2.39	29.18	2.47	30.50	2.50	32.75	2.55	34.53	2.60	
	100		24.99	2.40	26.77	2.49	28.56	2.58	29.61	2.61	32.13	2.66	33.91	2.71	
	105		24.37	2.50	26.15	2.59	27.93	2.69	29.22	2.72	31.50	2.77	33.29	2.82	
110	23.74		2.60	25.53	2.69	27.31	2.79	28.60	2.82	30.88	2.88	32.66	2.93		
115	23.12		2.69	24.90	2.79	26.69	2.90	27.98	2.93	30.26	2.98	32.04	3.04		
118	22.74		2.75	24.53	2.85	26.31	2.96	27.60	2.99	29.88	3.05	31.67	3.11		
122	22.62	2.83	24.40	2.94	26.19	3.04	27.48	3.08	29.76	3.14	31.54	3.20			

TC = Total Capacity (kBtu/h).

PI = Power Input (kW).

Nominal capacity as rated: 0 ft. above sea level with 25 ft. of refrigerant piping.
0 ft. level difference between outdoor and indoor units.

Nominal cooling capacity rating obtained with air entering the indoor unit at 80°F dry bulb (DB) and 67°F wet bulb (WB), and outdoor ambient conditions of 95°F dry bulb (DB) and 75°F wet bulb (WB).

The shaded table columns and rows indicate reference data. When operating at this temperature, these values can be different if the system is not running consistently.

PERFORMANCE DATA

Cooling Capacity Tables

MULTI F
MULTI F MAX

Table 175: LMU36CHV Cooling Capacity Table — Mixed Indoor Units (continued).

Connected Indoor Units	Combination Capacity Index	Outdoor Air Temp. (°F DB)	Indoor Air Temp. °F DB / °F WB											
			68 / 57		73 / 61		77 / 64		80 / 67		86 / 72		90 / 75	
			TC	PI	TC	PI	TC	PI	TC	PI	TC	PI	TC	PI
Four (4) Mixed Indoor Units	9 + 9 + 15 + 15	14	29.41	1.57	31.24	1.62	33.06	1.68	34.38	1.70	36.71	1.73	38.54	1.77
		20	29.39	1.59	31.21	1.65	33.04	1.71	34.35	1.73	36.69	1.76	38.51	1.79
		25	29.36	1.61	31.19	1.67	33.01	1.73	34.33	1.75	36.66	1.78	38.48	1.82
		30	29.34	1.63	31.16	1.69	32.99	1.76	34.30	1.78	36.63	1.81	38.45	1.85
		35	29.32	1.66	31.14	1.72	32.96	1.78	34.28	1.80	36.60	1.83	38.42	1.87
		40	29.30	1.68	31.12	1.74	32.94	1.80	34.25	1.82	36.57	1.86	38.39	1.90
		45	29.27	1.70	31.09	1.76	32.91	1.83	34.22	1.85	36.55	1.88	38.36	1.92
		50	29.25	1.72	31.07	1.79	32.89	1.85	34.20	1.87	36.52	1.91	38.34	1.95
		55	29.23	1.75	31.04	1.81	32.86	1.88	34.17	1.90	36.49	1.93	38.31	1.97
		60	29.21	1.77	31.02	1.83	32.83	1.90	34.14	1.92	36.46	1.96	38.28	2.00
		65	29.18	1.79	31.00	1.86	32.81	1.92	34.12	1.95	36.43	1.98	38.25	2.02
		70	29.16	1.81	30.97	1.88	32.78	1.95	34.09	1.97	36.41	2.01	38.22	2.05
		75	28.46	1.91	30.27	1.98	32.07	2.05	33.38	2.08	35.69	2.12	37.49	2.16
		80	27.76	2.01	29.56	2.08	31.36	2.16	32.66	2.18	34.97	2.23	36.77	2.27
		85	27.06	2.11	28.86	2.18	30.66	2.26	31.96	2.29	34.25	2.33	36.05	2.38
		90	26.37	2.21	28.16	2.29	29.95	2.37	31.25	2.40	33.54	2.44	35.33	2.49
		95	25.61	2.30	27.40	2.39	29.18	2.47	30.00	2.50	32.75	2.55	34.53	2.60
		100	24.99	2.40	26.77	2.49	28.56	2.58	29.61	2.61	32.13	2.66	33.91	2.71
		105	24.37	2.50	26.15	2.59	27.93	2.69	29.22	2.72	31.50	2.77	33.29	2.82
		110	23.74	2.60	25.53	2.69	27.31	2.79	28.60	2.82	30.88	2.88	32.66	2.93
		115	23.12	2.69	24.90	2.79	26.69	2.90	27.98	2.93	30.26	2.98	32.04	3.04
	118	22.74	2.75	24.53	2.85	26.31	2.96	27.60	2.99	29.88	3.05	31.67	3.11	
	122	22.62	2.83	24.40	2.94	26.19	3.04	27.48	3.08	29.76	3.14	31.54	3.20	
	12 + 12 + 12 + 12	14	29.41	1.57	31.24	1.62	33.06	1.68	34.38	1.70	36.71	1.73	38.54	1.77
		20	29.39	1.59	31.21	1.65	33.04	1.71	34.35	1.73	36.69	1.76	38.51	1.79
		25	29.36	1.61	31.19	1.67	33.01	1.73	34.33	1.75	36.66	1.78	38.48	1.82
		30	29.34	1.63	31.16	1.69	32.99	1.76	34.30	1.78	36.63	1.81	38.45	1.85
		35	29.32	1.66	31.14	1.72	32.96	1.78	34.28	1.80	36.60	1.83	38.42	1.87
		40	29.30	1.68	31.12	1.74	32.94	1.80	34.25	1.82	36.57	1.86	38.39	1.90
		45	29.27	1.70	31.09	1.76	32.91	1.83	34.22	1.85	36.55	1.88	38.36	1.92
		50	29.25	1.72	31.07	1.79	32.89	1.85	34.20	1.87	36.52	1.91	38.34	1.95
		55	29.23	1.75	31.04	1.81	32.86	1.88	34.17	1.90	36.49	1.93	38.31	1.97
		60	29.21	1.77	31.02	1.83	32.83	1.90	34.14	1.92	36.46	1.96	38.28	2.00
		65	29.18	1.79	31.00	1.86	32.81	1.92	34.12	1.95	36.43	1.98	38.25	2.02
		70	29.16	1.81	30.97	1.88	32.78	1.95	34.09	1.97	36.41	2.01	38.22	2.05
		75	28.46	1.91	30.27	1.98	32.07	2.05	33.38	2.08	35.69	2.12	37.49	2.16
		80	27.76	2.01	29.56	2.08	31.36	2.16	32.66	2.18	34.97	2.23	36.77	2.27
		85	27.06	2.11	28.86	2.18	30.66	2.26	31.96	2.29	34.25	2.33	36.05	2.38
		90	26.37	2.21	28.16	2.29	29.95	2.37	31.25	2.40	33.54	2.44	35.33	2.49
		95	25.61	2.30	27.40	2.39	29.18	2.47	30.00	2.50	32.75	2.55	34.53	2.60
		100	24.99	2.40	26.77	2.49	28.56	2.58	29.61	2.61	32.13	2.66	33.91	2.71
		105	24.37	2.50	26.15	2.59	27.93	2.69	29.22	2.72	31.50	2.77	33.29	2.82
110		23.74	2.60	25.53	2.69	27.31	2.79	28.60	2.82	30.88	2.88	32.66	2.93	
115		23.12	2.69	24.90	2.79	26.69	2.90	27.98	2.93	30.26	2.98	32.04	3.04	
118	22.74	2.75	24.53	2.85	26.31	2.96	27.60	2.99	29.88	3.05	31.67	3.11		
122	22.62	2.83	24.40	2.94	26.19	3.04	27.48	3.08	29.76	3.14	31.54	3.20		

TC = Total Capacity (kBtu/h).

PI = Power Input (kW).

Nominal capacity as rated: 0 ft. above sea level with 25 ft. of refrigerant piping.
0 ft. level difference between outdoor and indoor units.

Nominal cooling capacity rating obtained with air entering the indoor unit at 80°F dry bulb (DB) and 67°F wet bulb (WB), and outdoor ambient conditions of 95°F dry bulb (DB) and 75°F wet bulb (WB).

The shaded table columns and rows indicate reference data. When operating at this temperature, these values can be different if the system is not running consistently.

Multi F and Multi F MAX Heat Pump System Engineering Manual

Table 176: LMU18CHV Heating Capacity Table — Non-Ducted Indoor Units.

Connected Indoor Units	Combination Capacity Index	Outdoor Air Temp.		Indoor Air Temp. °F DB											
		°F DB	°F WB	61		64		68		70		72		75	
				TC	PI	TC	PI	TC	PI	TC	PI	TC	PI	TC	PI
Two (2) Non-Ducted Indoor Units	7 + 7	-4	-4.4	5.87	1.08	5.40	1.13	5.39	1.14	5.33	1.15	5.29	1.15	5.05	1.20
		0	-0.4	7.30	1.11	6.86	1.15	6.76	1.17	6.67	1.18	6.59	1.19	6.31	1.23
		5	4.5	9.01	1.15	8.59	1.19	8.39	1.21	8.25	1.23	8.14	1.24	7.81	1.28
		10	9	10.16	1.18	9.75	1.22	9.48	1.25	9.31	1.27	9.18	1.28	8.82	1.32
		17	15	11.42	1.22	11.02	1.26	10.67	1.30	10.48	1.32	10.33	1.34	9.93	1.37
		20	19	12.18	1.25	11.79	1.28	11.40	1.33	11.19	1.35	11.02	1.37	10.60	1.41
		25	23	13.46	1.30	13.06	1.33	12.61	1.39	12.37	1.41	12.18	1.44	11.72	1.47
		30	28	14.75	1.35	14.29	1.40	13.80	1.44	13.55	1.47	13.34	1.50	12.85	1.54
		35	32	16.04	1.41	15.53	1.46	15.00	1.50	14.73	1.53	14.51	1.56	13.99	1.60
		40	36	16.85	1.45	16.38	1.50	15.86	1.54	15.58	1.57	15.36	1.60	14.81	1.64
		45	41	17.87	1.50	17.45	1.55	16.93	1.60	16.65	1.63	16.43	1.65	15.83	1.70
		47	43	18.28	1.52	17.87	1.57	17.36	1.62	17.08	1.65	16.85	1.67	16.24	1.72
		50	46	18.34	1.51	17.97	1.56	17.52	1.60	17.27	1.63	17.07	1.65	16.49	1.69
		55	51	18.43	1.50	18.12	1.53	17.79	1.57	17.58	1.59	17.42	1.60	16.90	1.64
		60	56	18.52	1.48	18.27	1.51	18.05	1.54	17.90	1.55	17.77	1.56	17.32	1.58
		63	59	18.57	1.47	18.37	1.49	18.21	1.52	18.08	1.52	17.98	1.53	17.57	1.55
		68	64	18.62	1.46	18.46	1.48	18.37	1.50	18.27	1.50	18.20	1.50	17.82	1.52
		7 + 9	0	-4.4	6.70	1.23	6.17	1.28	6.16	1.29	6.09	1.30	6.04	1.31	5.77
	5	4.5	8.35	1.26	7.84	1.31	7.73	1.33	7.62	1.34	7.53	1.35	7.21	1.40	
	10	9	10.30	1.30	9.82	1.35	9.58	1.37	9.43	1.39	9.31	1.40	8.93	1.45	
	17	15	11.61	1.33	11.14	1.38	10.83	1.41	10.64	1.43	10.50	1.45	10.08	1.50	
	20	19	13.05	1.38	12.60	1.43	12.20	1.47	11.98	1.49	11.80	1.51	11.35	1.56	
	25	23	13.92	1.41	13.48	1.46	13.03	1.51	12.79	1.53	12.59	1.56	12.12	1.60	
	30	28	15.38	1.47	14.93	1.51	14.41	1.57	14.13	1.60	13.92	1.63	13.39	1.67	
	35	32	16.86	1.53	16.33	1.58	15.77	1.63	15.48	1.67	15.25	1.70	14.69	1.74	
	40	36	18.33	1.60	17.74	1.65	17.14	1.70	16.83	1.74	16.58	1.77	15.99	1.81	
	45	41	19.26	1.64	18.72	1.70	18.12	1.75	17.81	1.78	17.56	1.81	16.92	1.86	
	47	43	20.43	1.70	19.94	1.76	19.35	1.81	19.03	1.85	18.77	1.87	18.09	1.93	
	50	46	20.89	1.72	20.43	1.78	19.84	1.84	19.52	1.87	19.26	1.90	18.56	1.95	
	55	51	20.96	1.71	20.53	1.76	20.03	1.82	19.74	1.84	19.50	1.87	18.84	1.92	
	60	56	21.06	1.70	20.71	1.74	20.33	1.78	20.09	1.80	19.91	1.81	19.32	1.85	
	63	59	21.16	1.68	20.89	1.71	20.63	1.74	20.45	1.75	20.31	1.76	19.79	1.79	
	68	64	21.22	1.67	20.99	1.69	20.81	1.72	20.67	1.73	20.55	1.73	20.08	1.76	
	9 + 9	68	64	21.28	1.66	21.10	1.68	20.99	1.70	20.88	1.70	20.80	1.70	20.36	1.72
	7 + 9	-4	-4.4	7.56	1.34	6.96	1.39	6.94	1.41	6.87	1.42	6.81	1.42	6.50	1.48
	0	-0.4	9.41	1.37	8.83	1.43	8.71	1.45	8.59	1.46	8.49	1.47	8.13	1.52	
	5	4.5	11.61	1.42	11.06	1.47	10.80	1.50	10.63	1.51	10.49	1.53	10.07	1.58	
	10	9	13.09	1.46	12.55	1.51	12.21	1.54	12.00	1.56	11.83	1.58	11.36	1.63	
	17	15	14.71	1.51	14.20	1.56	13.75	1.60	13.50	1.63	13.30	1.65	12.79	1.70	
	20	19	15.69	1.54	15.19	1.59	14.68	1.64	14.41	1.67	14.19	1.70	13.65	1.75	
	25	23	17.34	1.60	16.82	1.65	16.24	1.71	15.93	1.75	15.69	1.77	15.09	1.82	
	30	28	19.00	1.67	18.41	1.73	17.78	1.78	17.45	1.82	17.19	1.85	16.56	1.90	
	35	32	20.66	1.74	20.00	1.80	19.32	1.85	18.97	1.89	18.69	1.93	18.02	1.97	
	40	36	21.71	1.79	21.10	1.85	20.43	1.91	20.07	1.95	19.79	1.98	19.07	2.03	
	45	41	23.02	1.86	22.47	1.92	21.81	1.98	21.45	2.01	21.16	2.04	20.39	2.10	
	47	43	23.55	1.88	23.02	1.94	22.37	2.01	22.00	2.04	21.71	2.07	20.92	2.13	
	50	46	23.62	1.87	23.14	1.93	22.57	1.98	22.24	2.01	21.98	2.03	21.24	2.09	
	55	51	23.73	1.85	23.34	1.90	22.91	1.94	22.65	1.96	22.44	1.98	21.77	2.02	
	60	56	23.85	1.83	23.54	1.87	23.25	1.90	23.05	1.91	22.89	1.92	22.31	1.95	
	63	59	23.92	1.82	23.66	1.85	23.45	1.87	23.29	1.88	23.16	1.89	22.63	1.91	
	68	64	23.99	1.81	23.78	1.83	23.66	1.85	23.54	1.86	23.44	1.86	22.95	1.88	

TC = Total Capacity (kBtu/h).

PI = Power Input (kW).

Nominal capacity as rated: 0 ft. above sea level with 25 ft. of refrigerant piping.
0 ft. level difference between outdoor and indoor units.

Nominal heating capacity rating obtained with air entering the indoor unit at 70°F dry bulb (DB) and 60°F wet bulb (WB), and outdoor ambient conditions of 47°F dry bulb (DB) and 43°F wet bulb (WB).

PERFORMANCE DATA

Heating Capacity Tables

MULTI F
MULTI F MAX

Table 177: LMU18CHV Heating Capacity Table — Non-Ducted Indoor Units (continued).

Connected Indoor Units	Combination Capacity Index	Outdoor Air Temp.		Indoor Air Temp. °F DB											
		°F DB	°F WB	61		64		68		70		72		75	
				TC	PI	TC	PI	TC	PI	TC	PI	TC	PI	TC	PI
Two (2) Non-Ducted Indoor Units	7 + 12	-4	-4.4	7.56	1.34	6.96	1.39	6.94	1.41	6.87	1.42	6.81	1.42	6.50	1.48
		0	-0.4	9.41	1.37	8.83	1.43	8.71	1.45	8.59	1.46	8.49	1.47	8.13	1.52
		5	4.5	11.61	1.42	11.06	1.47	10.80	1.50	10.63	1.51	10.49	1.53	10.07	1.58
		10	9	13.09	1.46	12.55	1.51	12.21	1.54	12.00	1.56	11.83	1.58	11.36	1.63
		17	15	14.71	1.51	14.20	1.56	13.75	1.60	13.50	1.63	13.30	1.65	12.79	1.70
		20	19	15.69	1.54	15.19	1.59	14.68	1.64	14.41	1.67	14.19	1.70	13.65	1.75
		25	23	17.34	1.60	16.82	1.65	16.24	1.71	15.93	1.75	15.69	1.77	15.09	1.82
		30	28	19.00	1.67	18.41	1.73	17.78	1.78	17.45	1.82	17.19	1.85	16.56	1.90
		35	32	20.66	1.74	20.00	1.80	19.32	1.85	18.97	1.89	18.69	1.93	18.02	1.97
		40	36	21.71	1.79	21.10	1.85	20.43	1.91	20.07	1.95	19.79	1.98	19.07	2.03
		45	41	23.02	1.86	22.47	1.92	21.81	1.98	21.45	2.01	21.16	2.04	20.39	2.10
		47	43	23.55	1.88	23.02	1.94	22.37	2.01	22.00	2.04	21.71	2.07	20.92	2.13
		50	46	23.62	1.87	23.14	1.93	22.57	1.98	22.24	2.01	21.98	2.03	21.24	2.09
		55	51	23.73	1.85	23.34	1.90	22.91	1.94	22.65	1.96	22.44	1.98	21.77	2.02
		60	56	23.85	1.83	23.54	1.87	23.25	1.90	23.05	1.91	22.89	1.92	22.31	1.95
		63	59	23.92	1.82	23.66	1.85	23.45	1.87	23.29	1.88	23.16	1.89	22.63	1.91
		68	64	23.99	1.81	23.78	1.83	23.66	1.85	23.54	1.86	23.44	1.86	22.95	1.88
		9 + 12	-4	-4.4	7.56	1.34	6.96	1.39	6.94	1.41	6.87	1.42	6.81	1.42	6.50
	0		-0.4	9.41	1.37	8.83	1.43	8.71	1.45	8.59	1.46	8.49	1.47	8.13	1.52
	5		4.5	11.61	1.42	11.06	1.47	10.80	1.50	10.63	1.51	10.49	1.53	10.07	1.58
	10		9	13.09	1.46	12.55	1.51	12.21	1.54	12.00	1.56	11.83	1.58	11.36	1.63
	17		15	14.71	1.51	14.20	1.56	13.75	1.60	13.50	1.63	13.30	1.65	12.79	1.70
	20		19	15.69	1.54	15.19	1.59	14.68	1.64	14.41	1.67	14.19	1.70	13.65	1.75
	25		23	17.34	1.60	16.82	1.65	16.24	1.71	15.93	1.75	15.69	1.77	15.09	1.82
	30		28	19.00	1.67	18.41	1.73	17.78	1.78	17.45	1.82	17.19	1.85	16.56	1.90
	35		32	20.66	1.74	20.00	1.80	19.32	1.85	18.97	1.89	18.69	1.93	18.02	1.97
	40		36	21.71	1.79	21.10	1.85	20.43	1.91	20.07	1.95	19.79	1.98	19.07	2.03
	45		41	23.02	1.86	22.47	1.92	21.81	1.98	21.45	2.01	21.16	2.04	20.39	2.10
	47		43	23.55	1.88	23.02	1.94	22.37	2.01	22.00	2.04	21.71	2.07	20.92	2.13
	50		46	23.62	1.87	23.14	1.93	22.57	1.98	22.24	2.01	21.98	2.03	21.24	2.09
	55		51	23.73	1.85	23.34	1.90	22.91	1.94	22.65	1.96	22.44	1.98	21.77	2.02
	60		56	23.85	1.83	23.54	1.87	23.25	1.90	23.05	1.91	22.89	1.92	22.31	1.95
	63		59	23.92	1.82	23.66	1.85	23.45	1.87	23.29	1.88	23.16	1.89	22.63	1.91
	68		64	23.99	1.81	23.78	1.83	23.66	1.85	23.54	1.86	23.44	1.86	22.95	1.88
	7 + 15		-4	-4.4	7.56	1.34	6.96	1.39	6.94	1.41	6.87	1.42	6.81	1.42	6.50
		0	-0.4	9.41	1.37	8.83	1.43	8.71	1.45	8.59	1.46	8.49	1.47	8.13	1.52
		5	4.5	11.61	1.42	11.06	1.47	10.80	1.50	10.63	1.51	10.49	1.53	10.07	1.58
		10	9	13.09	1.46	12.55	1.51	12.21	1.54	12.00	1.56	11.83	1.58	11.36	1.63
		17	15	14.71	1.51	14.20	1.56	13.75	1.60	13.50	1.63	13.30	1.65	12.79	1.70
		20	19	15.69	1.54	15.19	1.59	14.68	1.64	14.41	1.67	14.19	1.70	13.65	1.75
		25	23	17.34	1.60	16.82	1.65	16.24	1.71	15.93	1.75	15.69	1.77	15.09	1.82
		30	28	19.00	1.67	18.41	1.73	17.78	1.78	17.45	1.82	17.19	1.85	16.56	1.90
		35	32	20.66	1.74	20.00	1.80	19.32	1.85	18.97	1.89	18.69	1.93	18.02	1.97
		40	36	21.71	1.79	21.10	1.85	20.43	1.91	20.07	1.95	19.79	1.98	19.07	2.03
		45	41	23.02	1.86	22.47	1.92	21.81	1.98	21.45	2.01	21.16	2.04	20.39	2.10
		47	43	23.55	1.88	23.02	1.94	22.37	2.01	22.00	2.04	21.71	2.07	20.92	2.13

TC = Total Capacity (kBtu/h).

PI = Power Input (kW).

Nominal capacity as rated: 0 ft. above sea level with 25 ft. of refrigerant piping.
0 ft. level difference between outdoor and indoor units.

Nominal heating capacity rating obtained with air entering the indoor unit at 70°F dry bulb (DB) and 60°F wet bulb (WB), and outdoor ambient conditions of 47°F dry bulb (DB) and 43°F wet bulb (WB).

Multi F and Multi F MAX Heat Pump System Engineering Manual

Table 178: LMU18CHV Heating Capacity Table — Non-Ducted (continued) and Ducted Indoor Units.

Connected Indoor Units	Combination Capacity Index	Outdoor Air Temp.		Indoor Air Temp. °F DB												
		°F DB	°F WB	61		64		68		70		72		75		
				TC	PI	TC	PI	TC	PI	TC	PI	TC	PI	TC	PI	
Two (2) Non-Ducted Indoor Units	9 + 15	-4	-4.4	7.56	1.34	6.96	1.39	6.94	1.41	6.87	1.42	6.81	1.42	6.50	1.48	
		0	-0.4	9.41	1.37	8.83	1.43	8.71	1.45	8.59	1.46	8.49	1.47	8.13	1.52	
		5	4.5	11.61	1.42	11.06	1.47	10.80	1.50	10.63	1.51	10.49	1.53	10.07	1.58	
		10	9	13.09	1.46	12.55	1.51	12.21	1.54	12.00	1.56	11.83	1.58	11.36	1.63	
		17	15	14.71	1.51	14.20	1.56	13.75	1.60	13.50	1.63	13.30	1.65	12.79	1.70	
		20	19	15.69	1.54	15.19	1.59	14.68	1.64	14.41	1.67	14.19	1.70	13.65	1.75	
		25	23	17.34	1.60	16.82	1.65	16.24	1.71	15.93	1.75	15.69	1.77	15.09	1.82	
		30	28	19.00	1.67	18.41	1.73	17.78	1.78	17.45	1.82	17.19	1.85	16.56	1.90	
		35	32	20.66	1.74	20.00	1.80	19.32	1.85	18.97	1.89	18.69	1.93	18.02	1.97	
		40	36	21.71	1.79	21.10	1.85	20.43	1.91	20.07	1.95	19.79	1.98	19.07	2.03	
		45	41	23.02	1.86	22.47	1.92	21.81	1.98	21.45	2.01	21.16	2.04	20.39	2.10	
		47	43	23.55	1.88	23.02	1.94	22.37	2.01	22.00	2.04	21.71	2.07	20.92	2.13	
		50	46	23.62	1.87	23.14	1.93	22.57	1.98	22.24	2.01	21.98	2.03	21.24	2.09	
		55	51	23.73	1.85	23.34	1.90	22.91	1.94	22.65	1.96	22.44	1.98	21.77	2.02	
		60	56	23.85	1.83	23.54	1.87	23.25	1.90	23.05	1.91	22.89	1.92	22.31	1.95	
		63	59	23.92	1.82	23.66	1.85	23.45	1.87	23.29	1.88	23.16	1.89	22.63	1.91	
		68	64	23.99	1.81	23.78	1.83	23.66	1.85	23.54	1.86	23.44	1.86	22.95	1.88	
		12 + 12	-4	-4.4	7.56	1.34	6.96	1.39	6.94	1.41	6.87	1.42	6.81	1.42	6.50	1.48
	0		-0.4	9.41	1.37	8.83	1.43	8.71	1.45	8.59	1.46	8.49	1.47	8.13	1.52	
	5		4.5	11.61	1.42	11.06	1.47	10.80	1.50	10.63	1.51	10.49	1.53	10.07	1.58	
	10		9	13.09	1.46	12.55	1.51	12.21	1.54	12.00	1.56	11.83	1.58	11.36	1.63	
	17		15	14.71	1.51	14.20	1.56	13.75	1.60	13.50	1.63	13.30	1.65	12.79	1.70	
	20		19	15.69	1.54	15.19	1.59	14.68	1.64	14.41	1.67	14.19	1.70	13.65	1.75	
	25		23	17.34	1.60	16.82	1.65	16.24	1.71	15.93	1.75	15.69	1.77	15.09	1.82	
	30		28	19.00	1.67	18.41	1.73	17.78	1.78	17.45	1.82	17.19	1.85	16.56	1.90	
	35		32	20.66	1.74	20.00	1.80	19.32	1.85	18.97	1.89	18.69	1.93	18.02	1.97	
	40		36	21.71	1.79	21.10	1.85	20.43	1.91	20.07	1.95	19.79	1.98	19.07	2.03	
	45		41	23.02	1.86	22.47	1.92	21.81	1.98	21.45	2.01	21.16	2.04	20.39	2.10	
	47		43	23.55	1.88	23.02	1.94	22.37	2.01	22.00	2.04	21.71	2.07	20.92	2.13	
	50		46	23.62	1.87	23.14	1.93	22.57	1.98	22.24	2.01	21.98	2.03	21.24	2.09	
	55		51	23.73	1.85	23.34	1.90	22.91	1.94	22.65	1.96	22.44	1.98	21.77	2.02	
	60		56	23.85	1.83	23.54	1.87	23.25	1.90	23.05	1.91	22.89	1.92	22.31	1.95	
	63		59	23.92	1.82	23.66	1.85	23.45	1.87	23.29	1.88	23.16	1.89	22.63	1.91	
	68		64	23.99	1.81	23.78	1.83	23.66	1.85	23.54	1.86	23.44	1.86	22.95	1.88	
	Two (2) Ducted Indoor Units		9 + 9	-4	-4.4	8.85	1.31	8.23	1.37	8.16	1.38	8.06	1.39	7.98	1.40	7.63
		0		-0.4	10.23	1.35	9.64	1.40	9.48	1.42	9.34	1.43	9.23	1.44	8.84	1.49
5		4.5		11.86	1.39	11.31	1.44	11.04	1.47	10.86	1.48	10.72	1.49	10.29	1.54	
10		9		12.96	1.42	12.44	1.47	12.09	1.51	11.88	1.53	11.71	1.54	11.25	1.59	
17		15		14.16	1.47	13.67	1.52	13.24	1.56	13.00	1.59	12.81	1.61	12.32	1.66	
20		19		14.89	1.50	14.42	1.55	13.94	1.60	13.68	1.63	13.47	1.66	12.96	1.70	
25		23		16.12	1.56	15.64	1.61	15.10	1.67	14.81	1.70	14.58	1.73	14.03	1.77	
30		28		17.35	1.63	16.82	1.68	16.24	1.73	15.94	1.77	15.70	1.80	15.13	1.84	
35		32		18.59	1.69	18.00	1.75	17.38	1.80	17.07	1.84	16.82	1.87	16.21	1.92	
40		36		19.54	1.74	18.99	1.80	18.38	1.85	18.06	1.89	17.81	1.92	17.16	1.97	
45		41		20.72	1.80	20.23	1.86	19.63	1.92	19.30	1.95	19.04	1.98	18.35	2.04	
47		43		21.19	1.83	20.72	1.89	20.13	1.95	19.80	1.98	19.54	2.01	18.83	2.07	
50		46		21.26	1.81	20.83	1.87	20.31	1.92	20.02	1.95	19.78	1.97	19.11	2.03	
55		51		21.36	1.80	21.01	1.84	20.62	1.88	20.38	1.90	20.19	1.92	19.59	1.96	
60		56		21.46	1.78	21.18	1.81	20.92	1.84	20.75	1.86	20.60	1.87	20.08	1.90	
63		59		21.53	1.76	21.29	1.79	21.11	1.82	20.96	1.83	20.85	1.84	20.36	1.86	
68		64		21.59	1.75	21.40	1.78	21.29	1.80	21.18	1.80	21.10	1.80	20.66	1.82	

TC = Total Capacity (kBtu/h).

PI = Power Input (kW).

Nominal capacity as rated: 0 ft. above sea level with 25 ft. of refrigerant piping.
0 ft. level difference between outdoor and indoor units.

Nominal heating capacity rating obtained with air entering the indoor unit at 70°F dry bulb (DB) and 60°F wet bulb (WB), and outdoor ambient conditions of 47°F dry bulb (DB) and 43°F wet bulb (WB).

PERFORMANCE DATA

Heating Capacity Tables

MULTI F
MULTI F MAX

Table 179: LMU18CHV Heating Capacity Table — Ducted (continued) and Mixed Indoor Units.

Connected Indoor Units	Combination Capacity Index	Outdoor Air Temp.		Indoor Air Temp. °F DB											
		°F DB	°F WB	61		64		68		70		72		75	
				TC	PI	TC	PI	TC	PI	TC	PI	TC	PI	TC	PI
Two (2) Ducted Indoor Units	9 + 12	-4	-4.4	8.85	1.31	8.23	1.37	8.16	1.38	8.06	1.39	7.98	1.40	7.63	1.45
		0	-0.4	10.23	1.35	9.64	1.40	9.48	1.42	9.34	1.43	9.23	1.44	8.84	1.49
		5	4.5	11.86	1.39	11.31	1.44	11.04	1.47	10.86	1.48	10.72	1.49	10.29	1.54
		10	9	12.96	1.42	12.44	1.47	12.09	1.51	11.88	1.53	11.71	1.54	11.25	1.59
		17	15	14.16	1.47	13.67	1.52	13.24	1.56	13.00	1.59	12.81	1.61	12.32	1.66
		20	19	14.89	1.50	14.42	1.55	13.94	1.60	13.68	1.63	13.47	1.66	12.96	1.70
		25	23	16.12	1.56	15.64	1.61	15.10	1.67	14.81	1.70	14.58	1.73	14.03	1.77
		30	28	17.35	1.63	16.82	1.68	16.24	1.73	15.94	1.77	15.70	1.80	15.13	1.84
		35	32	18.59	1.69	18.00	1.75	17.38	1.80	17.07	1.84	16.82	1.87	16.21	1.92
		40	36	19.54	1.74	18.99	1.80	18.38	1.85	18.06	1.89	17.81	1.92	17.16	1.97
		45	41	20.72	1.80	20.23	1.86	19.63	1.92	19.30	1.95	19.04	1.98	18.35	2.04
		47	43	21.19	1.83	20.72	1.89	20.13	1.95	19.80	1.98	19.54	2.01	18.83	2.07
		50	46	21.26	1.81	20.83	1.87	20.31	1.92	20.02	1.95	19.78	1.97	19.11	2.03
		55	51	21.36	1.80	21.01	1.84	20.62	1.88	20.38	1.90	20.19	1.92	19.59	1.96
		60	56	21.46	1.78	21.18	1.81	20.92	1.84	20.75	1.86	20.60	1.87	20.08	1.90
		63	59	21.53	1.76	21.29	1.79	21.11	1.82	20.96	1.83	20.85	1.84	20.36	1.86
	68	64	21.59	1.75	21.40	1.78	21.29	1.80	21.18	1.80	21.10	1.80	20.66	1.82	
	12 + 12	-4	-4.4	8.85	1.31	8.23	1.37	8.16	1.38	8.06	1.39	7.98	1.40	7.63	1.45
		0	-0.4	10.23	1.35	9.64	1.40	9.48	1.42	9.34	1.43	9.23	1.44	8.84	1.49
		5	4.5	11.86	1.39	11.31	1.44	11.04	1.47	10.86	1.48	10.72	1.49	10.29	1.54
		10	9	12.96	1.42	12.44	1.47	12.09	1.51	11.88	1.53	11.71	1.54	11.25	1.59
		17	15	14.16	1.47	13.67	1.52	13.24	1.56	13.00	1.59	12.81	1.61	12.32	1.66
		20	19	14.89	1.50	14.42	1.55	13.94	1.60	13.68	1.63	13.47	1.66	12.96	1.70
		25	23	16.12	1.56	15.64	1.61	15.10	1.67	14.81	1.70	14.58	1.73	14.03	1.77
		30	28	17.35	1.63	16.82	1.68	16.24	1.73	15.94	1.77	15.70	1.80	15.13	1.84
		35	32	18.59	1.69	18.00	1.75	17.38	1.80	17.07	1.84	16.82	1.87	16.21	1.92
		40	36	19.54	1.74	18.99	1.80	18.38	1.85	18.06	1.89	17.81	1.92	17.16	1.97
		45	41	20.72	1.80	20.23	1.86	19.63	1.92	19.30	1.95	19.04	1.98	18.35	2.04
47		43	21.19	1.83	20.72	1.89	20.13	1.95	19.80	1.98	19.54	2.01	18.83	2.07	
50		46	21.26	1.81	20.83	1.87	20.31	1.92	20.02	1.95	19.78	1.97	19.11	2.03	
55		51	21.36	1.80	21.01	1.84	20.62	1.88	20.38	1.90	20.19	1.92	19.59	1.96	
60		56	21.46	1.78	21.18	1.81	20.92	1.84	20.75	1.86	20.60	1.87	20.08	1.90	
63		59	21.53	1.76	21.29	1.79	21.11	1.82	20.96	1.83	20.85	1.84	20.36	1.86	
68	64	21.59	1.75	21.40	1.78	21.29	1.80	21.18	1.80	21.10	1.80	20.66	1.82		
Two (2) Mixed Indoor Units	7 + 9	-4	-4.4	7.28	1.21	6.74	1.26	6.70	1.28	6.62	1.28	6.56	1.29	6.27	1.34
		0	-0.4	8.71	1.25	8.19	1.29	8.07	1.31	7.95	1.32	7.86	1.33	7.53	1.38
		5	4.5	10.41	1.28	9.92	1.33	9.69	1.36	9.53	1.37	9.41	1.38	9.03	1.43
		10	9	11.55	1.32	11.08	1.36	10.78	1.40	10.59	1.42	10.44	1.43	10.03	1.48
		17	15	12.81	1.36	12.36	1.41	11.97	1.45	11.75	1.47	11.58	1.49	11.14	1.54
		20	19	13.57	1.39	13.13	1.44	12.69	1.49	12.46	1.51	12.27	1.53	11.80	1.58
		25	23	14.84	1.45	14.40	1.49	13.90	1.55	13.63	1.58	13.42	1.60	12.92	1.64
		30	28	16.12	1.51	15.62	1.56	15.09	1.61	14.81	1.64	14.59	1.67	14.05	1.71
		35	32	17.41	1.57	16.85	1.63	16.28	1.67	15.99	1.71	15.75	1.74	15.18	1.78
		40	36	18.29	1.62	17.78	1.67	17.21	1.72	16.91	1.76	16.68	1.78	16.07	1.83
		45	41	19.40	1.67	18.94	1.73	18.38	1.78	18.08	1.82	17.83	1.84	17.18	1.90
		47	43	19.85	1.70	19.40	1.75	18.85	1.81	18.54	1.84	18.29	1.86	17.63	1.92
		50	46	19.90	1.69	19.50	1.74	19.02	1.79	18.74	1.81	18.52	1.84	17.90	1.88
		55	51	20.00	1.67	19.67	1.71	19.31	1.75	19.08	1.77	18.91	1.79	18.35	1.82
		60	56	20.10	1.65	19.84	1.68	19.59	1.71	19.43	1.73	19.29	1.74	18.80	1.76
		63	59	20.16	1.64	19.94	1.67	19.76	1.69	19.63	1.70	19.52	1.71	19.07	1.73
68	64	20.22	1.63	20.04	1.65	19.94	1.67	19.84	1.67	19.75	1.68	19.34	1.69		

TC = Total Capacity (kBtu/h).

PI = Power Input (kW).

Nominal capacity as rated: 0 ft. above sea level with 25 ft. of refrigerant piping.
0 ft. level difference between outdoor and indoor units.

Nominal heating capacity rating obtained with air entering the indoor unit at 70°F dry bulb (DB) and 60°F wet bulb (WB), and outdoor ambient conditions of 47°F dry bulb (DB) and 43°F wet bulb (WB).



Table 180: LMU18CHV Heating Capacity Table — Mixed Indoor Units (continued).

Connected Indoor Units	Combination Capacity Index	Outdoor Air Temp.		Indoor Air Temp. °F DB											
		°F DB	°F WB	61		64		68		70		72		75	
				TC	PI	TC	PI	TC	PI	TC	PI	TC	PI	TC	PI
Two (2) Mixed Indoor Units	9 + 9	-4	-4.4	8.20	1.33	7.59	1.38	7.55	1.40	7.47	1.40	7.40	1.41	7.06	1.46
		0	-0.4	9.82	1.36	9.24	1.41	9.09	1.43	8.96	1.45	8.86	1.46	8.49	1.51
		5	4.5	11.74	1.40	11.19	1.45	10.92	1.48	10.75	1.50	10.60	1.51	10.18	1.56
		10	9	13.02	1.44	12.50	1.49	12.15	1.53	11.94	1.55	11.77	1.56	11.31	1.61
		17	15	14.44	1.49	13.93	1.54	13.49	1.58	13.25	1.61	13.05	1.63	12.55	1.68
		20	19	15.29	1.52	14.80	1.57	14.31	1.62	14.05	1.65	13.83	1.68	13.31	1.72
		25	23	16.73	1.58	16.23	1.63	15.67	1.69	15.37	1.72	15.13	1.75	14.56	1.80
		30	28	18.18	1.65	17.61	1.70	17.01	1.76	16.70	1.79	16.45	1.83	15.84	1.87
		35	32	19.62	1.72	19.00	1.78	18.35	1.82	18.02	1.87	17.76	1.90	17.12	1.95
		40	36	20.62	1.77	20.04	1.83	19.40	1.88	19.07	1.92	18.80	1.95	18.12	2.00
		45	41	21.87	1.83	21.35	1.89	20.72	1.95	20.38	1.98	20.10	2.01	19.37	2.07
		47	43	22.37	1.85	21.87	1.91	21.25	1.98	20.90	2.01	20.62	2.04	19.87	2.10
		50	46	22.44	1.84	21.99	1.90	21.44	1.95	21.13	1.98	20.88	2.00	20.18	2.06
		55	51	22.55	1.82	22.17	1.87	21.76	1.91	21.51	1.93	21.31	1.95	20.68	1.99
		60	56	22.66	1.80	22.36	1.84	22.09	1.87	21.90	1.89	21.75	1.90	21.19	1.93
		63	59	22.72	1.79	22.47	1.82	22.28	1.85	22.13	1.86	22.01	1.86	21.49	1.89
		68	64	22.79	1.78	22.59	1.80	22.48	1.82	22.36	1.83	22.27	1.83	21.80	1.85
		7 + 12	-4	-4.4	8.20	1.33	7.59	1.38	7.55	1.40	7.47	1.40	7.40	1.41	7.06
	0		-0.4	9.82	1.36	9.24	1.41	9.09	1.43	8.96	1.45	8.86	1.46	8.49	1.51
	5		4.5	11.74	1.40	11.19	1.45	10.92	1.48	10.75	1.50	10.60	1.51	10.18	1.56
	10		9	13.02	1.44	12.50	1.49	12.15	1.53	11.94	1.55	11.77	1.56	11.31	1.61
	17		15	14.44	1.49	13.93	1.54	13.49	1.58	13.25	1.61	13.05	1.63	12.55	1.68
	20		19	15.29	1.52	14.80	1.57	14.31	1.62	14.05	1.65	13.83	1.68	13.31	1.72
	25		23	16.73	1.58	16.23	1.63	15.67	1.69	15.37	1.72	15.13	1.75	14.56	1.80
	30		28	18.18	1.65	17.61	1.70	17.01	1.76	16.70	1.79	16.45	1.83	15.84	1.87
	35		32	19.62	1.72	19.00	1.78	18.35	1.82	18.02	1.87	17.76	1.90	17.12	1.95
	40		36	20.62	1.77	20.04	1.83	19.40	1.88	19.07	1.92	18.80	1.95	18.12	2.00
	45		41	21.87	1.83	21.35	1.89	20.72	1.95	20.38	1.98	20.10	2.01	19.37	2.07
	47		43	22.37	1.85	21.87	1.91	21.25	1.98	20.90	2.01	20.62	2.04	19.87	2.10
	50		46	22.44	1.84	21.99	1.90	21.44	1.95	21.13	1.98	20.88	2.00	20.18	2.06
	55		51	22.55	1.82	22.17	1.87	21.76	1.91	21.51	1.93	21.31	1.95	20.68	1.99
	60		56	22.66	1.80	22.36	1.84	22.09	1.87	21.90	1.89	21.75	1.90	21.19	1.93
	63		59	22.72	1.79	22.47	1.82	22.28	1.85	22.13	1.86	22.01	1.86	21.49	1.89
	68		64	22.79	1.78	22.59	1.80	22.48	1.82	22.36	1.83	22.27	1.83	21.80	1.85
	9 + 12		-4	-4.4	8.20	1.33	7.59	1.38	7.55	1.40	7.47	1.40	7.40	1.41	7.06
		0	-0.4	9.82	1.36	9.24	1.41	9.09	1.43	8.96	1.45	8.86	1.46	8.49	1.51
		5	4.5	11.74	1.40	11.19	1.45	10.92	1.48	10.75	1.50	10.60	1.51	10.18	1.56
		10	9	13.02	1.44	12.50	1.49	12.15	1.53	11.94	1.55	11.77	1.56	11.31	1.61
		17	15	14.44	1.49	13.93	1.54	13.49	1.58	13.25	1.61	13.05	1.63	12.55	1.68
		20	19	15.29	1.52	14.80	1.57	14.31	1.62	14.05	1.65	13.83	1.68	13.31	1.72
		25	23	16.73	1.58	16.23	1.63	15.67	1.69	15.37	1.72	15.13	1.75	14.56	1.80
		30	28	18.18	1.65	17.61	1.70	17.01	1.76	16.70	1.79	16.45	1.83	15.84	1.87
		35	32	19.62	1.72	19.00	1.78	18.35	1.82	18.02	1.87	17.76	1.90	17.12	1.95
		40	36	20.62	1.77	20.04	1.83	19.40	1.88	19.07	1.92	18.80	1.95	18.12	2.00
		45	41	21.87	1.83	21.35	1.89	20.72	1.95	20.38	1.98	20.10	2.01	19.37	2.07
		47	43	22.37	1.85	21.87	1.91	21.25	1.98	20.90	2.01	20.62	2.04	19.87	2.10
		50	46	22.44	1.84	21.99	1.90	21.44	1.95	21.13	1.98	20.88	2.00	20.18	2.06
		55	51	22.55	1.82	22.17	1.87	21.76	1.91	21.51	1.93	21.31	1.95	20.68	1.99
60		56	22.66	1.80	22.36	1.84	22.09	1.87	21.90	1.89	21.75	1.90	21.19	1.93	
63		59	22.72	1.79	22.47	1.82	22.28	1.85	22.13	1.86	22.01	1.86	21.49	1.89	
68		64	22.79	1.78	22.59	1.80	22.48	1.82	22.36	1.83	22.27	1.83	21.80	1.85	

TC = Total Capacity (kBtu/h).

PI = Power Input (kW).

Nominal capacity as rated: 0 ft. above sea level with 25 ft. of refrigerant piping.
0 ft. level difference between outdoor and indoor units.

Nominal heating capacity rating obtained with air entering the indoor unit at 70°F dry bulb (DB) and 60°F wet bulb (WB), and outdoor ambient conditions of 47°F dry bulb (DB) and 43°F wet bulb (WB).

PERFORMANCE DATA

Heating Capacity Tables

MULTI F
MULTI F MAX

Table 181: LMU18CHV Heating Capacity Table — Mixed Indoor Units (continued).

Connected Indoor Units	Combination Capacity Index	Outdoor Air Temp.		Indoor Air Temp. °F DB											
		°F DB	°F WB	61		64		68		70		72		75	
				TC	PI	TC	PI	TC	PI	TC	PI	TC	PI	TC	PI
Two (2) Mixed Indoor Units	9 + 15	-4	-4.4	8.20	1.33	7.59	1.38	7.55	1.40	7.47	1.40	7.40	1.41	7.06	1.46
		0	-0.4	9.82	1.36	9.24	1.41	9.09	1.43	8.96	1.45	8.86	1.46	8.49	1.51
		5	4.5	11.74	1.40	11.19	1.45	10.92	1.48	10.75	1.50	10.60	1.51	10.18	1.56
		10	9	13.02	1.44	12.50	1.49	12.15	1.53	11.94	1.55	11.77	1.56	11.31	1.61
		17	15	14.44	1.49	13.93	1.54	13.49	1.58	13.25	1.61	13.05	1.63	12.55	1.68
		20	19	15.29	1.52	14.80	1.57	14.31	1.62	14.05	1.65	13.83	1.68	13.31	1.72
		25	23	16.73	1.58	16.23	1.63	15.67	1.69	15.37	1.72	15.13	1.75	14.56	1.80
		30	28	18.18	1.65	17.61	1.70	17.01	1.76	16.70	1.79	16.45	1.83	15.84	1.87
		35	32	19.62	1.72	19.00	1.78	18.35	1.82	18.02	1.87	17.76	1.90	17.12	1.95
		40	36	20.62	1.77	20.04	1.83	19.40	1.88	19.07	1.92	18.80	1.95	18.12	2.00
		45	41	21.87	1.83	21.35	1.89	20.72	1.95	20.38	1.98	20.10	2.01	19.37	2.07
		47	43	22.37	1.85	21.87	1.91	21.25	1.98	20.90	2.01	20.62	2.04	19.87	2.10
		50	46	22.44	1.84	21.99	1.90	21.44	1.95	21.13	1.98	20.88	2.00	20.18	2.06
		55	51	22.55	1.82	22.17	1.87	21.76	1.91	21.51	1.93	21.31	1.95	20.68	1.99
		60	56	22.66	1.80	22.36	1.84	22.09	1.87	21.90	1.89	21.75	1.90	21.19	1.93
		63	59	22.72	1.79	22.47	1.82	22.28	1.85	22.13	1.86	22.01	1.86	21.49	1.89
		68	64	22.79	1.78	22.59	1.80	22.48	1.82	22.36	1.83	22.27	1.83	21.80	1.85
		12 + 12	-4	-4.4	8.20	1.33	7.59	1.38	7.55	1.40	7.47	1.40	7.40	1.41	7.06
	0		-0.4	9.82	1.36	9.24	1.41	9.09	1.43	8.96	1.45	8.86	1.46	8.49	1.51
	5		4.5	11.74	1.40	11.19	1.45	10.92	1.48	10.75	1.50	10.60	1.51	10.18	1.56
	10		9	13.02	1.44	12.50	1.49	12.15	1.53	11.94	1.55	11.77	1.56	11.31	1.61
	17		15	14.44	1.49	13.93	1.54	13.49	1.58	13.25	1.61	13.05	1.63	12.55	1.68
	20		19	15.29	1.52	14.80	1.57	14.31	1.62	14.05	1.65	13.83	1.68	13.31	1.72
	25		23	16.73	1.58	16.23	1.63	15.67	1.69	15.37	1.72	15.13	1.75	14.56	1.80
	30		28	18.18	1.65	17.61	1.70	17.01	1.76	16.70	1.79	16.45	1.83	15.84	1.87
	35		32	19.62	1.72	19.00	1.78	18.35	1.82	18.02	1.87	17.76	1.90	17.12	1.95
	40		36	20.62	1.77	20.04	1.83	19.40	1.88	19.07	1.92	18.80	1.95	18.12	2.00
	45		41	21.87	1.83	21.35	1.89	20.72	1.95	20.38	1.98	20.10	2.01	19.37	2.07
	47		43	22.37	1.85	21.87	1.91	21.25	1.98	20.90	2.01	20.62	2.04	19.87	2.10
	50		46	22.44	1.84	21.99	1.90	21.44	1.95	21.13	1.98	20.88	2.00	20.18	2.06
	55		51	22.55	1.82	22.17	1.87	21.76	1.91	21.51	1.93	21.31	1.95	20.68	1.99
	60		56	22.66	1.80	22.36	1.84	22.09	1.87	21.90	1.89	21.75	1.90	21.19	1.93
	63		59	22.72	1.79	22.47	1.82	22.28	1.85	22.13	1.86	22.01	1.86	21.49	1.89
	68		64	22.79	1.78	22.59	1.80	22.48	1.82	22.36	1.83	22.27	1.83	21.80	1.85

TC = Total Capacity (kBtu/h).

PI = Power Input (kW).

Nominal capacity as rated: 0 ft. above sea level with 25 ft. of refrigerant piping.
0 ft. level difference between outdoor and indoor units.

Nominal heating capacity rating obtained with air entering the indoor unit at 70°F dry bulb (DB) and 60°F wet bulb (WB), and outdoor ambient conditions of 47°F dry bulb (DB) and 43°F wet bulb (WB).

Table 182: LMU24CHV Heating Capacity Table — Non-Ducted Units.

Connected Indoor Units	Combination Capacity Index	Outdoor Air Temp.		Indoor Air Temp. °F DB											
		°F DB	°F WB	61		64		68		70		72		75	
				TC	PI	TC	PI	TC	PI	TC	PI	TC	PI	TC	PI
Two (2) Non-Ducted Indoor Units	7 + 7	-4	-4.4	4.94	1.20	4.53	1.25	4.53	1.27	4.49	1.27	4.45	1.28	4.24	1.33
		0	-0.4	6.28	1.21	5.89	1.26	5.81	1.28	5.73	1.29	5.67	1.30	5.43	1.35
		5	4.5	7.89	1.22	7.51	1.27	7.34	1.30	7.22	1.31	7.12	1.32	6.84	1.37
		10	9	8.96	1.24	8.59	1.28	8.35	1.31	8.21	1.33	8.10	1.34	7.78	1.38
		17	15	10.14	1.25	9.78	1.29	9.48	1.33	9.30	1.35	9.17	1.37	8.81	1.41
		20	19	10.85	1.26	10.51	1.30	10.16	1.34	9.97	1.37	9.82	1.39	9.44	1.43
		25	23	12.05	1.28	11.69	1.32	11.28	1.37	11.07	1.39	10.90	1.42	10.49	1.45
		30	28	13.25	1.31	12.84	1.35	12.40	1.39	12.17	1.42	11.99	1.45	11.55	1.48
		35	32	14.46	1.33	14.00	1.38	13.52	1.41	13.28	1.45	13.08	1.47	12.61	1.51
		40	36	15.20	1.37	14.77	1.42	14.30	1.46	14.05	1.49	13.85	1.51	13.35	1.55
		45	41	16.12	1.42	15.73	1.47	15.27	1.51	15.01	1.54	14.81	1.56	14.27	1.61
		47	43	16.48	1.44	16.12	1.49	15.66	1.53	15.40	1.56	15.20	1.58	14.64	1.63
		50	46	16.53	1.43	16.20	1.47	15.80	1.51	15.57	1.54	15.39	1.56	14.87	1.60
		55	51	16.61	1.41	16.34	1.45	16.04	1.48	15.85	1.50	15.71	1.51	15.24	1.55
		60	56	16.69	1.40	16.48	1.43	16.27	1.45	16.14	1.46	16.02	1.47	15.61	1.49
		63	59	16.74	1.39	16.56	1.41	16.42	1.43	16.30	1.44	16.22	1.45	15.84	1.46
		68	64	16.79	1.38	16.64	1.40	16.56	1.42	16.48	1.42	16.41	1.42	16.07	1.43
		7 + 9	0	-4.4	7.18	1.26	6.74	1.31	6.64	1.33	6.55	1.34	6.48	1.35	6.20
	5	4.5	9.01	1.27	8.58	1.32	8.38	1.34	8.25	1.36	8.14	1.37	7.81	1.42	
	10	9	10.24	1.28	9.82	1.33	9.55	1.36	9.38	1.38	9.25	1.39	8.89	1.44	
	17	15	11.58	1.30	11.18	1.34	10.83	1.38	10.63	1.40	10.48	1.42	10.07	1.46	
	20	19	12.40	1.31	12.01	1.35	11.61	1.39	11.39	1.42	11.22	1.44	10.79	1.48	
	25	23	13.77	1.33	13.36	1.37	12.90	1.42	12.65	1.45	12.46	1.47	11.99	1.51	
	30	28	15.15	1.36	14.68	1.40	14.17	1.44	13.91	1.48	13.71	1.50	13.20	1.54	
	35	32	16.52	1.38	16.00	1.43	15.45	1.47	15.18	1.50	14.95	1.53	14.41	1.57	
	40	36	17.37	1.42	16.88	1.47	16.34	1.51	16.06	1.55	15.83	1.57	15.26	1.61	
	45	41	18.42	1.47	17.98	1.52	17.45	1.57	17.16	1.60	16.93	1.62	16.31	1.67	
	47	43	18.84	1.49	18.42	1.54	17.89	1.59	17.60	1.62	17.37	1.64	16.73	1.69	
	50	46	18.89	1.48	18.51	1.53	18.06	1.57	17.79	1.60	17.58	1.62	16.99	1.66	
	55	51	18.99	1.47	18.67	1.50	18.33	1.54	18.12	1.56	17.95	1.57	17.42	1.61	
	60	56	19.08	1.45	18.83	1.48	18.60	1.51	18.44	1.52	18.31	1.53	17.84	1.55	
	63	59	19.13	1.44	18.93	1.47	18.76	1.49	18.63	1.50	18.53	1.50	18.10	1.52	
	68	64	19.19	1.43	19.02	1.45	18.93	1.47	18.83	1.47	18.75	1.48	18.36	1.49	
	9 + 9	-4	-4.4	6.35	1.32	5.83	1.37	5.83	1.39	5.77	1.40	5.72	1.40	5.46	1.46
	0	-0.4	8.08	1.33	7.58	1.38	7.47	1.40	7.37	1.41	7.29	1.42	6.98	1.48	
	5	4.5	10.14	1.34	9.66	1.39	9.43	1.42	9.28	1.44	9.16	1.45	8.79	1.50	
	10	9	11.52	1.35	11.05	1.40	10.74	1.44	10.56	1.46	10.41	1.47	10.00	1.52	
	17	15	13.03	1.37	12.58	1.41	12.18	1.46	11.96	1.48	11.79	1.50	11.33	1.55	
	20	19	13.95	1.38	13.51	1.42	13.06	1.47	12.81	1.50	12.62	1.52	12.14	1.56	
	25	23	15.49	1.40	15.03	1.44	14.51	1.50	14.23	1.53	14.01	1.55	13.49	1.59	
	30	28	17.04	1.43	16.51	1.48	15.95	1.52	15.65	1.56	15.42	1.58	14.85	1.62	
	35	32	18.59	1.46	18.00	1.51	17.38	1.55	17.07	1.59	16.82	1.62	16.21	1.65	
	40	36	19.54	1.50	18.99	1.55	18.38	1.60	18.06	1.63	17.81	1.66	17.16	1.70	
	45	41	20.72	1.56	20.23	1.61	19.63	1.66	19.30	1.69	19.04	1.71	18.35	1.76	
	47	43	21.19	1.58	20.72	1.63	20.13	1.68	19.80	1.71	19.54	1.73	18.83	1.79	
	50	46	21.26	1.57	20.83	1.61	20.31	1.66	20.02	1.69	19.78	1.71	19.11	1.75	
	55	51	21.36	1.55	21.01	1.59	20.62	1.63	20.38	1.64	20.19	1.66	19.59	1.70	
	60	56	21.46	1.53	21.18	1.56	20.92	1.59	20.75	1.60	20.60	1.61	20.08	1.64	
63	59	21.53	1.52	21.29	1.55	21.11	1.57	20.96	1.58	20.85	1.59	20.36	1.60		
68	64	21.59	1.51	21.40	1.53	21.29	1.55	21.18	1.56	21.10	1.56	20.66	1.57		

TC = Total Capacity (kBtu/h).

PI = Power Input (kW).

Nominal capacity as rated: 0 ft. above sea level with 25 ft. of refrigerant piping.
0 ft. level difference between outdoor and indoor units.

Nominal heating capacity rating obtained with air entering the indoor unit at 70°F dry bulb (DB) and 60°F wet bulb (WB), and outdoor ambient conditions of 47°F dry bulb (DB) and 43°F wet bulb (WB).

PERFORMANCE DATA

Heating Capacity Tables

MULTI F
MULTI F MAX

Table 183: LMU24CHV Heating Capacity Table — Non-Ducted Indoor Units (continued).

Connected Indoor Units	Combination Capacity Index	Outdoor Air Temp.		Indoor Air Temp. °F DB												
		°F DB	°F WB	61		64		68		70		72		75		
				TC	PI	TC	PI	TC	PI	TC	PI	TC	PI	TC	PI	
Two (2) Non-Ducted Indoor Units	7 + 12	-4	-4.4	6.70	1.36	6.15	1.41	6.15	1.43	6.09	1.44	6.04	1.45	5.76	1.50	
		0	-0.4	8.53	1.37	8.00	1.42	7.89	1.44	7.78	1.46	7.70	1.47	7.37	1.52	
		5	4.5	10.70	1.38	10.19	1.43	9.95	1.46	9.80	1.48	9.67	1.49	9.28	1.54	
		10	9	12.16	1.39	11.66	1.44	11.34	1.48	11.14	1.50	10.99	1.51	10.56	1.56	
		17	15	13.76	1.41	13.28	1.46	12.86	1.50	12.63	1.53	12.44	1.55	11.96	1.59	
		20	19	14.73	1.42	14.26	1.46	13.78	1.52	13.53	1.54	13.32	1.57	12.82	1.61	
		25	23	16.35	1.44	15.87	1.49	15.31	1.54	15.02	1.57	14.79	1.60	14.24	1.64	
		30	28	17.99	1.47	17.43	1.52	16.83	1.57	16.52	1.60	16.28	1.63	15.68	1.67	
		35	32	19.62	1.50	19.00	1.56	18.35	1.60	18.02	1.63	17.76	1.66	17.12	1.70	
		40	36	20.62	1.55	20.04	1.60	19.40	1.64	19.07	1.68	18.80	1.71	18.12	1.75	
		45	41	21.87	1.60	21.35	1.65	20.72	1.71	20.38	1.74	20.10	1.76	19.37	1.81	
		47	43	22.37	1.62	21.87	1.68	21.25	1.73	20.90	1.76	20.62	1.78	19.87	1.84	
		50	46	22.44	1.61	21.99	1.66	21.44	1.71	21.13	1.73	20.88	1.76	20.18	1.80	
		55	51	22.55	1.60	22.17	1.64	21.76	1.67	21.51	1.69	21.31	1.71	20.68	1.74	
		60	56	22.66	1.58	22.36	1.61	22.09	1.64	21.90	1.65	21.75	1.66	21.19	1.69	
		63	59	22.72	1.57	22.47	1.59	22.28	1.62	22.13	1.63	22.01	1.63	21.49	1.65	
		68	64	22.79	1.56	22.59	1.58	22.48	1.60	22.36	1.60	22.27	1.60	21.80	1.62	
		7 + 12	-4	-4.4	7.40	1.46	6.80	1.51	6.80	1.53	6.73	1.54	6.67	1.55	6.36	1.61
	9 + 12	0	-0.4	9.43	1.47	8.84	1.52	8.72	1.55	8.60	1.56	8.51	1.57	8.14	1.63	
		5	4.5	11.83	1.48	11.27	1.54	11.00	1.57	10.83	1.59	10.69	1.60	10.25	1.66	
		10	9	13.44	1.50	12.89	1.55	12.53	1.59	12.32	1.61	12.14	1.63	11.67	1.68	
		17	15	15.20	1.51	14.68	1.56	14.21	1.61	13.96	1.64	13.75	1.66	13.22	1.71	
		20	19	16.28	1.53	15.76	1.57	15.23	1.63	14.95	1.66	14.72	1.68	14.16	1.73	
		25	23	18.07	1.55	17.54	1.60	16.93	1.66	16.61	1.69	16.35	1.72	15.73	1.76	
		30	28	19.88	1.58	19.26	1.63	18.60	1.68	18.26	1.72	17.99	1.75	17.33	1.80	
		35	32	21.69	1.61	21.00	1.67	20.28	1.71	19.92	1.75	19.63	1.79	18.92	1.83	
		40	36	22.79	1.66	22.15	1.72	21.45	1.77	21.07	1.80	20.78	1.83	20.02	1.88	
		45	41	24.17	1.72	23.60	1.78	22.90	1.83	22.52	1.87	22.22	1.89	21.41	1.95	
		47	43	24.73	1.74	24.17	1.80	23.48	1.86	23.10	1.89	22.79	1.92	21.96	1.97	
		50	46	24.80	1.73	24.30	1.78	23.70	1.84	23.35	1.86	23.08	1.89	22.30	1.94	
		55	51	24.92	1.71	24.51	1.76	24.05	1.80	23.78	1.82	23.56	1.83	22.86	1.87	
		60	56	25.04	1.70	24.72	1.73	24.41	1.76	24.20	1.77	24.04	1.78	23.42	1.81	
		63	59	25.11	1.68	24.84	1.71	24.63	1.74	24.46	1.75	24.32	1.75	23.76	1.77	
		68	64	25.19	1.67	24.97	1.69	24.84	1.71	24.71	1.72	24.61	1.72	24.10	1.74	
		7 + 15	-4	-4.4	7.69	1.50	7.07	1.55	7.06	1.57	6.99	1.59	6.93	1.59	6.61	1.65
			0	-0.4	9.79	1.51	9.19	1.56	9.06	1.59	8.94	1.60	8.84	1.62	8.46	1.67
	5		4.5	12.29	1.52	11.71	1.58	11.43	1.61	11.25	1.63	11.10	1.64	10.65	1.70	
	10		9	13.96	1.54	13.39	1.59	13.02	1.63	12.80	1.65	12.62	1.67	12.12	1.72	
	17		15	15.80	1.55	15.25	1.60	14.77	1.65	14.50	1.68	14.29	1.70	13.74	1.75	
	20		19	16.91	1.57	16.37	1.61	15.83	1.67	15.53	1.70	15.30	1.73	14.72	1.77	
	25		23	18.78	1.59	18.22	1.64	17.59	1.70	17.25	1.73	16.99	1.76	16.35	1.81	
	30		28	20.65	1.62	20.02	1.68	19.33	1.73	18.97	1.77	18.69	1.80	18.00	1.84	
	35		32	22.53	1.66	21.82	1.71	21.07	1.76	20.69	1.80	20.39	1.83	19.65	1.88	
	40		36	23.68	1.70	23.02	1.76	22.28	1.81	21.90	1.85	21.59	1.88	20.81	1.93	
	45		41	25.12	1.76	24.52	1.82	23.79	1.88	23.40	1.91	23.08	1.94	22.24	2.00	
	47		43	25.69	1.79	25.12	1.85	24.40	1.91	24.00	1.94	23.68	1.97	22.82	2.03	
	50		46	25.77	1.78	25.25	1.83	24.62	1.88	24.26	1.91	23.98	1.93	23.17	1.99	
	55		51	25.89	1.76	25.46	1.80	24.99	1.85	24.71	1.87	24.48	1.88	23.75	1.92	
60	56		26.02	1.74	25.68	1.77	25.36	1.81	25.15	1.82	24.97	1.83	24.33	1.86		
63	59		26.09	1.73	25.81	1.76	25.59	1.78	25.41	1.79	25.27	1.80	24.68	1.82		
68	64		26.17	1.72	25.94	1.74	25.81	1.76	25.68	1.76	25.57	1.77	25.04	1.78		

TC = Total Capacity (kBtu/h).

PI = Power Input (kW).

Nominal capacity as rated: 0 ft. above sea level with 25 ft. of refrigerant piping.
0 ft. level difference between outdoor and indoor units.

Nominal heating capacity rating obtained with air entering the indoor unit at 70°F dry bulb (DB) and 60°F wet bulb (WB), and outdoor ambient conditions of 47°F dry bulb (DB) and 43°F wet bulb (WB).



Table 184: LMU24CHV Heating Capacity Table — Non-Ducted Indoor Units (continued).

Connected Indoor Units	Combination Capacity Index	Outdoor Air Temp.		Indoor Air Temp. °F DB											
		°F DB	°F WB	61		64		68		70		72		75	
				TC	PI	TC	PI	TC	PI	TC	PI	TC	PI	TC	PI
Two (2) Non-Ducted Indoor Units	9 + 15	-4	-4.4	7.69	1.50	7.07	1.55	7.06	1.57	6.99	1.59	6.93	1.59	6.61	1.65
		0	-0.4	9.79	1.51	9.19	1.56	9.06	1.59	8.94	1.60	8.84	1.62	8.46	1.67
		5	4.5	12.29	1.52	11.71	1.58	11.43	1.61	11.25	1.63	11.10	1.64	10.65	1.70
		10	9	13.96	1.54	13.39	1.59	13.02	1.63	12.80	1.65	12.62	1.67	12.12	1.72
		17	15	15.80	1.55	15.25	1.60	14.77	1.65	14.50	1.68	14.29	1.70	13.74	1.75
		20	19	16.91	1.57	16.37	1.61	15.83	1.67	15.53	1.70	15.30	1.73	14.72	1.77
		25	23	18.78	1.59	18.22	1.64	17.59	1.70	17.25	1.73	16.99	1.76	16.35	1.81
		30	28	20.65	1.62	20.02	1.68	19.33	1.73	18.97	1.77	18.69	1.80	18.00	1.84
		35	32	22.53	1.66	21.82	1.71	21.07	1.76	20.69	1.80	20.39	1.83	19.65	1.88
		40	36	23.68	1.70	23.02	1.76	22.28	1.81	21.90	1.85	21.59	1.88	20.81	1.93
		45	41	25.12	1.76	24.52	1.82	23.79	1.88	23.40	1.91	23.08	1.94	22.24	2.00
		47	43	25.69	1.79	25.12	1.85	24.40	1.91	24.00	1.94	23.68	1.97	22.82	2.03
		50	46	25.77	1.78	25.25	1.83	24.62	1.88	24.26	1.91	23.98	1.93	23.17	1.99
		55	51	25.89	1.76	25.46	1.80	24.99	1.85	24.71	1.87	24.48	1.88	23.75	1.92
		60	56	26.02	1.74	25.68	1.77	25.36	1.81	25.15	1.82	24.97	1.83	24.33	1.86
		63	59	26.09	1.73	25.81	1.76	25.59	1.78	25.41	1.79	25.27	1.80	24.68	1.82
		68	64	26.17	1.72	25.94	1.74	25.81	1.76	25.68	1.76	25.57	1.77	25.04	1.78
		12 + 12	-4	-4.4	7.69	1.50	7.07	1.55	7.06	1.57	6.99	1.59	6.93	1.59	6.61
	0		-0.4	9.79	1.51	9.19	1.56	9.06	1.59	8.94	1.60	8.84	1.62	8.46	1.67
	5		4.5	12.29	1.52	11.71	1.58	11.43	1.61	11.25	1.63	11.10	1.64	10.65	1.70
	10		9	13.96	1.54	13.39	1.59	13.02	1.63	12.80	1.65	12.62	1.67	12.12	1.72
	17		15	15.80	1.55	15.25	1.60	14.77	1.65	14.50	1.68	14.29	1.70	13.74	1.75
	20		19	16.91	1.57	16.37	1.61	15.83	1.67	15.53	1.70	15.30	1.73	14.72	1.77
	25		23	18.78	1.59	18.22	1.64	17.59	1.70	17.25	1.73	16.99	1.76	16.35	1.81
	30		28	20.65	1.62	20.02	1.68	19.33	1.73	18.97	1.77	18.69	1.80	18.00	1.84
	35		32	22.53	1.66	21.82	1.71	21.07	1.76	20.69	1.80	20.39	1.83	19.65	1.88
	40		36	23.68	1.70	23.02	1.76	22.28	1.81	21.90	1.85	21.59	1.88	20.81	1.93
	45		41	25.12	1.76	24.52	1.82	23.79	1.88	23.40	1.91	23.08	1.94	22.24	2.00
	47		43	25.69	1.79	25.12	1.85	24.40	1.91	24.00	1.94	23.68	1.97	22.82	2.03
	50		46	25.77	1.78	25.25	1.83	24.62	1.88	24.26	1.91	23.98	1.93	23.17	1.99
	55		51	25.89	1.76	25.46	1.80	24.99	1.85	24.71	1.87	24.48	1.88	23.75	1.92
	60		56	26.02	1.74	25.68	1.77	25.36	1.81	25.15	1.82	24.97	1.83	24.33	1.86
	63		59	26.09	1.73	25.81	1.76	25.59	1.78	25.41	1.79	25.27	1.80	24.68	1.82
	68		64	26.17	1.72	25.94	1.74	25.81	1.76	25.68	1.76	25.57	1.77	25.04	1.78
	7 + 18		-4	-4.4	7.69	1.50	7.07	1.55	7.06	1.57	6.99	1.59	6.93	1.59	6.61
		0	-0.4	9.79	1.51	9.19	1.56	9.06	1.59	8.94	1.60	8.84	1.62	8.46	1.67
		5	4.5	12.29	1.52	11.71	1.58	11.43	1.61	11.25	1.63	11.10	1.64	10.65	1.70
		10	9	13.96	1.54	13.39	1.59	13.02	1.63	12.80	1.65	12.62	1.67	12.12	1.72
		17	15	15.80	1.55	15.25	1.60	14.77	1.65	14.50	1.68	14.29	1.70	13.74	1.75
		20	19	16.91	1.57	16.37	1.61	15.83	1.67	15.53	1.70	15.30	1.73	14.72	1.77
		25	23	18.78	1.59	18.22	1.64	17.59	1.70	17.25	1.73	16.99	1.76	16.35	1.81
		30	28	20.65	1.62	20.02	1.68	19.33	1.73	18.97	1.77	18.69	1.80	18.00	1.84
		35	32	22.53	1.66	21.82	1.71	21.07	1.76	20.69	1.80	20.39	1.83	19.65	1.88
		40	36	23.68	1.70	23.02	1.76	22.28	1.81	21.90	1.85	21.59	1.88	20.81	1.93
		45	41	25.12	1.76	24.52	1.82	23.79	1.88	23.40	1.91	23.08	1.94	22.24	2.00
		47	43	25.69	1.79	25.12	1.85	24.40	1.91	24.00	1.94	23.68	1.97	22.82	2.03
		50	46	25.77	1.78	25.25	1.83	24.62	1.88	24.26	1.91	23.98	1.93	23.17	1.99
		55	51	25.89	1.76	25.46	1.80	24.99	1.85	24.71	1.87	24.48	1.88	23.75	1.92
60		56	26.02	1.74	25.68	1.77	25.36	1.81	25.15	1.82	24.97	1.83	24.33	1.86	
63		59	26.09	1.73	25.81	1.76	25.59	1.78	25.41	1.79	25.27	1.80	24.68	1.82	
68		64	26.17	1.72	25.94	1.74	25.81	1.76	25.68	1.76	25.57	1.77	25.04	1.78	

TC = Total Capacity (kBtu/h).

PI = Power Input (kW).

Nominal capacity as rated: 0 ft. above sea level with 25 ft. of refrigerant piping.
0 ft. level difference between outdoor and indoor units.

Nominal heating capacity rating obtained with air entering the indoor unit at 70°F dry bulb (DB) and 60°F wet bulb (WB), and outdoor ambient conditions of 47°F dry bulb (DB) and 43°F wet bulb (WB).

PERFORMANCE DATA

Heating Capacity Tables

MULTI F
MULTI F MAX

Table 185: LMU24CHV Heating Capacity Table — Non-Ducted Indoor Units (continued).

Connected Indoor Units	Combination Capacity Index	Outdoor Air Temp.		Indoor Air Temp. °F DB											
		°F DB	°F WB	61		64		68		70		72		75	
				TC	PI	TC	PI	TC	PI	TC	PI	TC	PI	TC	PI
Two (2) Non-Ducted Indoor Units	9 + 18	-4	-4.4	7.69	1.50	7.07	1.55	7.06	1.57	6.99	1.59	6.93	1.59	6.61	1.65
		0	-0.4	9.79	1.51	9.19	1.56	9.06	1.59	8.94	1.60	8.84	1.62	8.46	1.67
		5	4.5	12.29	1.52	11.71	1.58	11.43	1.61	11.25	1.63	11.10	1.64	10.65	1.70
		10	9	13.96	1.54	13.39	1.59	13.02	1.63	12.80	1.65	12.62	1.67	12.12	1.72
		17	15	15.80	1.55	15.25	1.60	14.77	1.65	14.50	1.68	14.29	1.70	13.74	1.75
		20	19	16.91	1.57	16.37	1.61	15.83	1.67	15.53	1.70	15.30	1.73	14.72	1.77
		25	23	18.78	1.59	18.22	1.64	17.59	1.70	17.25	1.73	16.99	1.76	16.35	1.81
		30	28	20.65	1.62	20.02	1.68	19.33	1.73	18.97	1.77	18.69	1.80	18.00	1.84
		35	32	22.53	1.66	21.82	1.71	21.07	1.76	20.69	1.80	20.39	1.83	19.65	1.88
		40	36	23.68	1.70	23.02	1.76	22.28	1.81	21.90	1.85	21.59	1.88	20.81	1.93
		45	41	25.12	1.76	24.52	1.82	23.79	1.88	23.40	1.91	23.08	1.94	22.24	2.00
		47	43	25.69	1.79	25.12	1.85	24.40	1.91	24.00	1.94	23.68	1.97	22.82	2.03
		50	46	25.77	1.78	25.25	1.83	24.62	1.88	24.26	1.91	23.98	1.93	23.17	1.99
		55	51	25.89	1.76	25.46	1.80	24.99	1.85	24.71	1.87	24.48	1.88	23.75	1.92
		60	56	26.02	1.74	25.68	1.77	25.36	1.81	25.15	1.82	24.97	1.83	24.33	1.86
		63	59	26.09	1.73	25.81	1.76	25.59	1.78	25.41	1.79	25.27	1.80	24.68	1.82
		68	64	26.17	1.72	25.94	1.74	25.81	1.76	25.68	1.76	25.57	1.77	25.04	1.78
		12 + 15	-4	-4.4	7.69	1.50	7.07	1.55	7.06	1.57	6.99	1.59	6.93	1.59	6.61
	0		-0.4	9.79	1.51	9.19	1.56	9.06	1.59	8.94	1.60	8.84	1.62	8.46	1.67
	5		4.5	12.29	1.52	11.71	1.58	11.43	1.61	11.25	1.63	11.10	1.64	10.65	1.70
	10		9	13.96	1.54	13.39	1.59	13.02	1.63	12.80	1.65	12.62	1.67	12.12	1.72
	17		15	15.80	1.55	15.25	1.60	14.77	1.65	14.50	1.68	14.29	1.70	13.74	1.75
	20		19	16.91	1.57	16.37	1.61	15.83	1.67	15.53	1.70	15.30	1.73	14.72	1.77
	25		23	18.78	1.59	18.22	1.64	17.59	1.70	17.25	1.73	16.99	1.76	16.35	1.81
	30		28	20.65	1.62	20.02	1.68	19.33	1.73	18.97	1.77	18.69	1.80	18.00	1.84
	35		32	22.53	1.66	21.82	1.71	21.07	1.76	20.69	1.80	20.39	1.83	19.65	1.88
	40		36	23.68	1.70	23.02	1.76	22.28	1.81	21.90	1.85	21.59	1.88	20.81	1.93
	45		41	25.12	1.76	24.52	1.82	23.79	1.88	23.40	1.91	23.08	1.94	22.24	2.00
	47		43	25.69	1.79	25.12	1.85	24.40	1.91	24.00	1.94	23.68	1.97	22.82	2.03
	50		46	25.77	1.78	25.25	1.83	24.62	1.88	24.26	1.91	23.98	1.93	23.17	1.99
	55		51	25.89	1.76	25.46	1.80	24.99	1.85	24.71	1.87	24.48	1.88	23.75	1.92
	60		56	26.02	1.74	25.68	1.77	25.36	1.81	25.15	1.82	24.97	1.83	24.33	1.86
	63		59	26.09	1.73	25.81	1.76	25.59	1.78	25.41	1.79	25.27	1.80	24.68	1.82
	68		64	26.17	1.72	25.94	1.74	25.81	1.76	25.68	1.76	25.57	1.77	25.04	1.78
	12 + 18		-4	-4.4	7.69	1.50	7.07	1.55	7.06	1.57	6.99	1.59	6.93	1.59	6.61
		0	-0.4	9.79	1.51	9.19	1.56	9.06	1.59	8.94	1.60	8.84	1.62	8.46	1.67
		5	4.5	12.29	1.52	11.71	1.58	11.43	1.61	11.25	1.63	11.10	1.64	10.65	1.70
		10	9	13.96	1.54	13.39	1.59	13.02	1.63	12.80	1.65	12.62	1.67	12.12	1.72
		17	15	15.80	1.55	15.25	1.60	14.77	1.65	14.50	1.68	14.29	1.70	13.74	1.75
		20	19	16.91	1.57	16.37	1.61	15.83	1.67	15.53	1.70	15.30	1.73	14.72	1.77
		25	23	18.78	1.59	18.22	1.64	17.59	1.70	17.25	1.73	16.99	1.76	16.35	1.81
		30	28	20.65	1.62	20.02	1.68	19.33	1.73	18.97	1.77	18.69	1.80	18.00	1.84
		35	32	22.53	1.66	21.82	1.71	21.07	1.76	20.69	1.80	20.39	1.83	19.65	1.88
		40	36	23.68	1.70	23.02	1.76	22.28	1.81	21.90	1.85	21.59	1.88	20.81	1.93
		45	41	25.12	1.76	24.52	1.82	23.79	1.88	23.40	1.91	23.08	1.94	22.24	2.00
		47	43	25.69	1.79	25.12	1.85	24.40	1.91	24.00	1.94	23.68	1.97	22.82	2.03
		50	46	25.77	1.78	25.25	1.83	24.62	1.88	24.26	1.91	23.98	1.93	23.17	1.99
		55	51	25.89	1.76	25.46	1.80	24.99	1.85	24.71	1.87	24.48	1.88	23.75	1.92
60		56	26.02	1.74	25.68	1.77	25.36	1.81	25.15	1.82	24.97	1.83	24.33	1.86	
63		59	26.09	1.73	25.81	1.76	25.59	1.78	25.41	1.79	25.27	1.80	24.68	1.82	
68		64	26.17	1.72	25.94	1.74	25.81	1.76	25.68	1.76	25.57	1.77	25.04	1.78	

TC = Total Capacity (kBtu/h).

PI = Power Input (kW).

Nominal capacity as rated: 0 ft. above sea level with 25 ft. of refrigerant piping.
0 ft. level difference between outdoor and indoor units.

Nominal heating capacity rating obtained with air entering the indoor unit at 70°F dry bulb (DB) and 60°F wet bulb (WB), and outdoor ambient conditions of 47°F dry bulb (DB) and 43°F wet bulb (WB).



Table 186: LMU24CHV Heating Capacity Table — Non-Ducted Indoor Units (continued).

Connected Indoor Units	Combination Capacity Index	Outdoor Air Temp.		Indoor Air Temp. °F DB											
		°F DB	°F WB	61		64		68		70		72		75	
				TC	PI	TC	PI	TC	PI	TC	PI	TC	PI	TC	PI
Two (2) Non-Ducted Indoor Units	15 + 15	-4	-4.4	7.69	1.50	7.07	1.55	7.06	1.57	6.99	1.59	6.93	1.59	6.61	1.65
		0	-0.4	9.79	1.51	9.19	1.56	9.06	1.59	8.94	1.60	8.84	1.62	8.46	1.67
		5	4.5	12.29	1.52	11.71	1.58	11.43	1.61	11.25	1.63	11.10	1.64	10.65	1.70
		10	9	13.96	1.54	13.39	1.59	13.02	1.63	12.80	1.65	12.62	1.67	12.12	1.72
		17	15	15.80	1.55	15.25	1.60	14.77	1.65	14.50	1.68	14.29	1.70	13.74	1.75
		20	19	16.91	1.57	16.37	1.61	15.83	1.67	15.53	1.70	15.30	1.73	14.72	1.77
		25	23	18.78	1.59	18.22	1.64	17.59	1.70	17.25	1.73	16.99	1.76	16.35	1.81
		30	28	20.65	1.62	20.02	1.68	19.33	1.73	18.97	1.77	18.69	1.80	18.00	1.84
		35	32	22.53	1.66	21.82	1.71	21.07	1.76	20.69	1.80	20.39	1.83	19.65	1.88
		40	36	23.68	1.70	23.02	1.76	22.28	1.81	21.90	1.85	21.59	1.88	20.81	1.93
		45	41	25.12	1.76	24.52	1.82	23.79	1.88	23.40	1.91	23.08	1.94	22.24	2.00
		47	43	25.69	1.79	25.12	1.85	24.40	1.91	24.00	1.94	23.68	1.97	22.82	2.03
		50	46	25.77	1.78	25.25	1.83	24.62	1.88	24.26	1.91	23.98	1.93	23.17	1.99
		55	51	25.89	1.76	25.46	1.80	24.99	1.85	24.71	1.87	24.48	1.88	23.75	1.92
		60	56	26.02	1.74	25.68	1.77	25.36	1.81	25.15	1.82	24.97	1.83	24.33	1.86
		63	59	26.09	1.73	25.81	1.76	25.59	1.78	25.41	1.79	25.27	1.80	24.68	1.82
		68	64	26.17	1.72	25.94	1.74	25.81	1.76	25.68	1.76	25.57	1.77	25.04	1.78
		7 + 24	-4	-4.4	7.69	1.50	7.07	1.55	7.06	1.57	6.99	1.59	6.93	1.59	6.61
	0		-0.4	9.79	1.51	9.19	1.56	9.06	1.59	8.94	1.60	8.84	1.62	8.46	1.67
	5		4.5	12.29	1.52	11.71	1.58	11.43	1.61	11.25	1.63	11.10	1.64	10.65	1.70
	10		9	13.96	1.54	13.39	1.59	13.02	1.63	12.80	1.65	12.62	1.67	12.12	1.72
	17		15	15.80	1.55	15.25	1.60	14.77	1.65	14.50	1.68	14.29	1.70	13.74	1.75
	20		19	16.91	1.57	16.37	1.61	15.83	1.67	15.53	1.70	15.30	1.73	14.72	1.77
	25		23	18.78	1.59	18.22	1.64	17.59	1.70	17.25	1.73	16.99	1.76	16.35	1.81
	30		28	20.65	1.62	20.02	1.68	19.33	1.73	18.97	1.77	18.69	1.80	18.00	1.84
	35		32	22.53	1.66	21.82	1.71	21.07	1.76	20.69	1.80	20.39	1.83	19.65	1.88
	40		36	23.68	1.70	23.02	1.76	22.28	1.81	21.90	1.85	21.59	1.88	20.81	1.93
	45		41	25.12	1.76	24.52	1.82	23.79	1.88	23.40	1.91	23.08	1.94	22.24	2.00
	47		43	25.69	1.79	25.12	1.85	24.40	1.91	24.00	1.94	23.68	1.97	22.82	2.03
	50		46	25.77	1.78	25.25	1.83	24.62	1.88	24.26	1.91	23.98	1.93	23.17	1.99
	55		51	25.89	1.76	25.46	1.80	24.99	1.85	24.71	1.87	24.48	1.88	23.75	1.92
	60		56	26.02	1.74	25.68	1.77	25.36	1.81	25.15	1.82	24.97	1.83	24.33	1.86
	63		59	26.09	1.73	25.81	1.76	25.59	1.78	25.41	1.79	25.27	1.80	24.68	1.82
	68		64	26.17	1.72	25.94	1.74	25.81	1.76	25.68	1.76	25.57	1.77	25.04	1.78
	9 + 24		-4	-4.4	7.69	1.50	7.07	1.55	7.06	1.57	6.99	1.59	6.93	1.59	6.61
		0	-0.4	9.79	1.51	9.19	1.56	9.06	1.59	8.94	1.60	8.84	1.62	8.46	1.67
		5	4.5	12.29	1.52	11.71	1.58	11.43	1.61	11.25	1.63	11.10	1.64	10.65	1.70
		10	9	13.96	1.54	13.39	1.59	13.02	1.63	12.80	1.65	12.62	1.67	12.12	1.72
		17	15	15.80	1.55	15.25	1.60	14.77	1.65	14.50	1.68	14.29	1.70	13.74	1.75
		20	19	16.91	1.57	16.37	1.61	15.83	1.67	15.53	1.70	15.30	1.73	14.72	1.77
		25	23	18.78	1.59	18.22	1.64	17.59	1.70	17.25	1.73	16.99	1.76	16.35	1.81
		30	28	20.65	1.62	20.02	1.68	19.33	1.73	18.97	1.77	18.69	1.80	18.00	1.84
		35	32	22.53	1.66	21.82	1.71	21.07	1.76	20.69	1.80	20.39	1.83	19.65	1.88
		40	36	23.68	1.70	23.02	1.76	22.28	1.81	21.90	1.85	21.59	1.88	20.81	1.93
		45	41	25.12	1.76	24.52	1.82	23.79	1.88	23.40	1.91	23.08	1.94	22.24	2.00
		47	43	25.69	1.79	25.12	1.85	24.40	1.91	24.00	1.94	23.68	1.97	22.82	2.03
		50	46	25.77	1.78	25.25	1.83	24.62	1.88	24.26	1.91	23.98	1.93	23.17	1.99
		55	51	25.89	1.76	25.46	1.80	24.99	1.85	24.71	1.87	24.48	1.88	23.75	1.92
60		56	26.02	1.74	25.68	1.77	25.36	1.81	25.15	1.82	24.97	1.83	24.33	1.86	
63		59	26.09	1.73	25.81	1.76	25.59	1.78	25.41	1.79	25.27	1.80	24.68	1.82	
68		64	26.17	1.72	25.94	1.74	25.81	1.76	25.68	1.76	25.57	1.77	25.04	1.78	

TC = Total Capacity (kBtu/h).

PI = Power Input (kW).

Nominal capacity as rated: 0 ft. above sea level with 25 ft. of refrigerant piping.
0 ft. level difference between outdoor and indoor units.

Nominal heating capacity rating obtained with air entering the indoor unit at 70°F dry bulb (DB) and 60°F wet bulb (WB), and outdoor ambient conditions of 47°F dry bulb (DB) and 43°F wet bulb (WB).

PERFORMANCE DATA

Heating Capacity Tables

MULTI F
MULTI F MAX

Table 187: LMU24CHV Heating Capacity Table — Non-Ducted Indoor Units (continued).

Connected Indoor Units	Combination Capacity Index	Outdoor Air Temp.		Indoor Air Temp. °F DB											
		°F DB	°F WB	61		64		68		70		72		75	
				TC	PI	TC	PI	TC	PI	TC	PI	TC	PI	TC	PI
Two (2) Non-Ducted Indoor Units	15 + 18	-4	-4.4	7.69	1.50	7.07	1.55	7.06	1.57	6.99	1.59	6.93	1.59	6.61	1.65
		0	-0.4	9.79	1.51	9.19	1.56	9.06	1.59	8.94	1.60	8.84	1.62	8.46	1.67
		5	4.5	12.29	1.52	11.71	1.58	11.43	1.61	11.25	1.63	11.10	1.64	10.65	1.70
		10	9	13.96	1.54	13.39	1.59	13.02	1.63	12.80	1.65	12.62	1.67	12.12	1.72
		17	15	15.80	1.55	15.25	1.60	14.77	1.65	14.50	1.68	14.29	1.70	13.74	1.75
		20	19	16.91	1.57	16.37	1.61	15.83	1.67	15.53	1.70	15.30	1.73	14.72	1.77
		25	23	18.78	1.59	18.22	1.64	17.59	1.70	17.25	1.73	16.99	1.76	16.35	1.81
		30	28	20.65	1.62	20.02	1.68	19.33	1.73	18.97	1.77	18.69	1.80	18.00	1.84
		35	32	22.53	1.66	21.82	1.71	21.07	1.76	20.69	1.80	20.39	1.83	19.65	1.88
		40	36	23.68	1.70	23.02	1.76	22.28	1.81	21.90	1.85	21.59	1.88	20.81	1.93
		45	41	25.12	1.76	24.52	1.82	23.79	1.88	23.40	1.91	23.08	1.94	22.24	2.00
		47	43	25.69	1.79	25.12	1.85	24.40	1.91	24.00	1.94	23.68	1.97	22.82	2.03
		50	46	25.77	1.78	25.25	1.83	24.62	1.88	24.26	1.91	23.98	1.93	23.17	1.99
		55	51	25.89	1.76	25.46	1.80	24.99	1.85	24.71	1.87	24.48	1.88	23.75	1.92
		60	56	26.02	1.74	25.68	1.77	25.36	1.81	25.15	1.82	24.97	1.83	24.33	1.86
		63	59	26.09	1.73	25.81	1.76	25.59	1.78	25.41	1.79	25.27	1.80	24.68	1.82
		68	64	26.17	1.72	25.94	1.74	25.81	1.76	25.68	1.76	25.57	1.77	25.04	1.78
		Three (3) Non-Ducted Indoor Units	7 + 7 + 7	-4	-4.4	7.40	1.37	6.80	1.43	6.80	1.44	6.73	1.45	6.67	1.46
0	-0.4			9.43	1.38	8.84	1.44	8.72	1.46	8.60	1.47	8.51	1.48	8.14	1.54
5	4.5			11.83	1.40	11.27	1.45	11.00	1.48	10.83	1.49	10.69	1.51	10.25	1.56
10	9			13.44	1.41	12.89	1.46	12.53	1.49	12.32	1.52	12.14	1.53	11.67	1.58
17	15			15.20	1.43	14.68	1.47	14.21	1.52	13.96	1.54	13.75	1.56	13.22	1.61
20	19			16.28	1.44	15.76	1.48	15.23	1.53	14.95	1.56	14.72	1.58	14.16	1.63
25	23			18.07	1.46	17.54	1.50	16.93	1.56	16.61	1.59	16.35	1.62	15.73	1.66
30	28			19.88	1.49	19.26	1.54	18.60	1.59	18.26	1.62	17.99	1.65	17.33	1.69
35	32			21.69	1.52	21.00	1.57	20.28	1.61	19.92	1.65	19.63	1.68	18.92	1.72
40	36			22.79	1.56	22.15	1.62	21.45	1.66	21.07	1.70	20.78	1.73	20.02	1.77
45	41			24.17	1.62	23.60	1.67	22.90	1.73	22.52	1.76	22.22	1.78	21.41	1.83
47	43			24.73	1.64	24.17	1.70	23.48	1.75	23.10	1.78	22.79	1.80	21.96	1.86
50	46			24.80	1.63	24.30	1.68	23.70	1.73	23.35	1.75	23.08	1.78	22.30	1.82
55	51			24.92	1.61	24.51	1.65	24.05	1.69	23.78	1.71	23.56	1.73	22.86	1.76
60	56			25.04	1.60	24.72	1.63	24.41	1.66	24.20	1.67	24.04	1.68	23.42	1.71
63	59			25.11	1.59	24.84	1.61	24.63	1.64	24.46	1.64	24.32	1.65	23.76	1.67
68	64			25.19	1.58	24.97	1.60	24.84	1.61	24.71	1.62	24.61	1.62	24.10	1.64
7 + 7 + 9	-4			-4.4	7.69	1.39	7.07	1.44	7.06	1.46	6.99	1.47	6.93	1.48	6.61
	0		-0.4	9.79	1.40	9.19	1.45	9.06	1.48	8.94	1.49	8.84	1.50	8.46	1.55
	5		4.5	12.29	1.41	11.71	1.46	11.43	1.49	11.25	1.51	11.10	1.53	10.65	1.58
	10		9	13.96	1.43	13.39	1.47	13.02	1.51	12.80	1.53	12.62	1.55	12.12	1.60
	17		15	15.80	1.44	15.25	1.49	14.77	1.53	14.50	1.56	14.29	1.58	13.74	1.63
	20		19	16.91	1.45	16.37	1.50	15.83	1.55	15.53	1.58	15.30	1.60	14.72	1.65
	25		23	18.78	1.48	18.22	1.52	17.59	1.58	17.25	1.61	16.99	1.63	16.35	1.68
	30		28	20.65	1.51	20.02	1.56	19.33	1.60	18.97	1.64	18.69	1.67	18.00	1.71
	35		32	22.53	1.54	21.82	1.59	21.07	1.63	20.69	1.67	20.39	1.70	19.65	1.74
	40		36	23.68	1.58	23.02	1.64	22.28	1.68	21.90	1.72	21.59	1.75	20.81	1.79
	45		41	25.12	1.64	24.52	1.69	23.79	1.74	23.40	1.78	23.08	1.80	22.24	1.85
	47		43	25.69	1.66	25.12	1.71	24.40	1.77	24.00	1.80	23.68	1.82	22.82	1.88
	50		46	25.77	1.65	25.25	1.70	24.62	1.75	24.26	1.77	23.98	1.80	23.17	1.84
	55		51	25.89	1.63	25.46	1.67	24.99	1.71	24.71	1.73	24.48	1.75	23.75	1.78
	60		56	26.02	1.61	25.68	1.65	25.36	1.68	25.15	1.69	24.97	1.70	24.33	1.72
	63		59	26.09	1.60	25.81	1.63	25.59	1.65	25.41	1.66	25.27	1.67	24.68	1.69
	68		64	26.17	1.59	25.94	1.61	25.81	1.63	25.68	1.64	25.57	1.64	25.04	1.65

TC = Total Capacity (kBtu/h).

PI = Power Input (kW).

Nominal capacity as rated: 0 ft. above sea level with 25 ft. of refrigerant piping.
0 ft. level difference between outdoor and indoor units.

Nominal heating capacity rating obtained with air entering the indoor unit at 70°F dry bulb (DB) and 60°F wet bulb (WB), and outdoor ambient conditions of 47°F dry bulb (DB) and 43°F wet bulb (WB).



Table 188: LMU24CHV Heating Capacity Table — Non-Ducted Indoor Units (continued).

Connected Indoor Units	Combination Capacity Index	Outdoor Air Temp.		Indoor Air Temp. °F DB												
		°F DB	°F WB	61		64		68		70		72		75		
				TC	PI	TC	PI	TC	PI	TC	PI	TC	PI	TC	PI	
Three (3) Non-Ducted Indoor Units	7 + 9 + 9	-4	-4.4	7.69	1.39	7.07	1.44	7.06	1.46	6.99	1.47	6.93	1.48	6.61	1.53	
		0	-0.4	9.79	1.40	9.19	1.45	9.06	1.48	8.94	1.49	8.84	1.50	8.46	1.55	
		5	4.5	12.29	1.41	11.71	1.46	11.43	1.49	11.25	1.51	11.10	1.53	10.65	1.58	
		10	9	13.96	1.43	13.39	1.47	13.02	1.51	12.80	1.53	12.62	1.55	12.12	1.60	
		17	15	15.80	1.44	15.25	1.49	14.77	1.53	14.50	1.56	14.29	1.58	13.74	1.63	
		20	19	16.91	1.45	16.37	1.50	15.83	1.55	15.53	1.58	15.30	1.60	14.72	1.65	
		25	23	18.78	1.48	18.22	1.52	17.59	1.58	17.25	1.61	16.99	1.63	16.35	1.68	
		30	28	20.65	1.51	20.02	1.56	19.33	1.60	18.97	1.64	18.69	1.67	18.00	1.71	
		35	32	22.53	1.54	21.82	1.59	21.07	1.63	20.69	1.67	20.39	1.70	19.65	1.74	
		40	36	23.68	1.58	23.02	1.64	22.28	1.68	21.90	1.72	21.59	1.75	20.81	1.79	
		45	41	25.12	1.64	24.52	1.69	23.79	1.74	23.40	1.78	23.08	1.80	22.24	1.85	
		47	43	25.69	1.66	25.12	1.71	24.40	1.77	24.00	1.80	23.68	1.82	22.82	1.88	
		50	46	25.77	1.65	25.25	1.70	24.62	1.75	24.26	1.77	23.98	1.80	23.17	1.84	
		55	51	25.89	1.63	25.46	1.67	24.99	1.71	24.71	1.73	24.48	1.75	23.75	1.78	
		60	56	26.02	1.61	25.68	1.65	25.36	1.68	25.15	1.69	24.97	1.70	24.33	1.72	
		63	59	26.09	1.60	25.81	1.63	25.59	1.65	25.41	1.66	25.27	1.67	24.68	1.69	
		68	64	26.17	1.59	25.94	1.61	25.81	1.63	25.68	1.64	25.57	1.64	25.04	1.65	
		7 + 7 + 12	7 + 7 + 12	-4	-4.4	7.69	1.39	7.07	1.44	7.06	1.46	6.99	1.47	6.93	1.48	6.61
	0	-0.4		9.79	1.40	9.19	1.45	9.06	1.48	8.94	1.49	8.84	1.50	8.46	1.55	
	5	4.5		12.29	1.41	11.71	1.46	11.43	1.49	11.25	1.51	11.10	1.53	10.65	1.58	
	10	9		13.96	1.43	13.39	1.47	13.02	1.51	12.80	1.53	12.62	1.55	12.12	1.60	
	17	15		15.80	1.44	15.25	1.49	14.77	1.53	14.50	1.56	14.29	1.58	13.74	1.63	
	20	19		16.91	1.45	16.37	1.50	15.83	1.55	15.53	1.58	15.30	1.60	14.72	1.65	
	25	23		18.78	1.48	18.22	1.52	17.59	1.58	17.25	1.61	16.99	1.63	16.35	1.68	
	30	28		20.65	1.51	20.02	1.56	19.33	1.60	18.97	1.64	18.69	1.67	18.00	1.71	
	35	32		22.53	1.54	21.82	1.59	21.07	1.63	20.69	1.67	20.39	1.70	19.65	1.74	
	40	36		23.68	1.58	23.02	1.64	22.28	1.68	21.90	1.72	21.59	1.75	20.81	1.79	
	45	41		25.12	1.64	24.52	1.69	23.79	1.74	23.40	1.78	23.08	1.80	22.24	1.85	
	47	43		25.69	1.66	25.12	1.71	24.40	1.77	24.00	1.80	23.68	1.82	22.82	1.88	
	50	46		25.77	1.65	25.25	1.70	24.62	1.75	24.26	1.77	23.98	1.80	23.17	1.84	
	55	51		25.89	1.63	25.46	1.67	24.99	1.71	24.71	1.73	24.48	1.75	23.75	1.78	
	60	56		26.02	1.61	25.68	1.65	25.36	1.68	25.15	1.69	24.97	1.70	24.33	1.72	
	63	59		26.09	1.60	25.81	1.63	25.59	1.65	25.41	1.66	25.27	1.67	24.68	1.69	
	68	64		26.17	1.59	25.94	1.61	25.81	1.63	25.68	1.64	25.57	1.64	25.04	1.65	
	9 + 9 + 9	9 + 9 + 9		-4	-4.4	7.69	1.39	7.07	1.44	7.06	1.46	6.99	1.47	6.93	1.48	6.61
	0		-0.4	9.79	1.40	9.19	1.45	9.06	1.48	8.94	1.49	8.84	1.50	8.46	1.55	
	5		4.5	12.29	1.41	11.71	1.46	11.43	1.49	11.25	1.51	11.10	1.53	10.65	1.58	
	10		9	13.96	1.43	13.39	1.47	13.02	1.51	12.80	1.53	12.62	1.55	12.12	1.60	
	17		15	15.80	1.44	15.25	1.49	14.77	1.53	14.50	1.56	14.29	1.58	13.74	1.63	
	20		19	16.91	1.45	16.37	1.50	15.83	1.55	15.53	1.58	15.30	1.60	14.72	1.65	
	25		23	18.78	1.48	18.22	1.52	17.59	1.58	17.25	1.61	16.99	1.63	16.35	1.68	
	30		28	20.65	1.51	20.02	1.56	19.33	1.60	18.97	1.64	18.69	1.67	18.00	1.71	
	35		32	22.53	1.54	21.82	1.59	21.07	1.63	20.69	1.67	20.39	1.70	19.65	1.74	
	40		36	23.68	1.58	23.02	1.64	22.28	1.68	21.90	1.72	21.59	1.75	20.81	1.79	
	45		41	25.12	1.64	24.52	1.69	23.79	1.74	23.40	1.78	23.08	1.80	22.24	1.85	
	47		43	25.69	1.66	25.12	1.71	24.40	1.77	24.00	1.80	23.68	1.82	22.82	1.88	
	50		46	25.77	1.65	25.25	1.70	24.62	1.75	24.26	1.77	23.98	1.80	23.17	1.84	
	55		51	25.89	1.63	25.46	1.67	24.99	1.71	24.71	1.73	24.48	1.75	23.75	1.78	
60	56		26.02	1.61	25.68	1.65	25.36	1.68	25.15	1.69	24.97	1.70	24.33	1.72		
63	59		26.09	1.60	25.81	1.63	25.59	1.65	25.41	1.66	25.27	1.67	24.68	1.69		
68	64		26.17	1.59	25.94	1.61	25.81	1.63	25.68	1.64	25.57	1.64	25.04	1.65		

TC = Total Capacity (kBtu/h).

PI = Power Input (kW).

Nominal capacity as rated: 0 ft. above sea level with 25 ft. of refrigerant piping.
0 ft. level difference between outdoor and indoor units.

Nominal heating capacity rating obtained with air entering the indoor unit at 70°F dry bulb (DB) and 60°F wet bulb (WB), and outdoor ambient conditions of 47°F dry bulb (DB) and 43°F wet bulb (WB).

PERFORMANCE DATA

Heating Capacity Tables

MULTI F
MULTI F MAX

Table 189: LMU24CHV Heating Capacity Table — Non-Ducted Indoor Units (continued).

Connected Indoor Units	Combination Capacity Index	Outdoor Air Temp.		Indoor Air Temp. °F DB											
		°F DB	°F WB	61		64		68		70		72		75	
				TC	PI	TC	PI	TC	PI	TC	PI	TC	PI	TC	PI
Three (3) Non-Ducted Indoor Units	7 + 9 + 12	-4	-4.4	7.69	1.39	7.07	1.44	7.06	1.46	6.99	1.47	6.93	1.48	6.61	1.53
		0	-0.4	9.79	1.40	9.19	1.45	9.06	1.48	8.94	1.49	8.84	1.50	8.46	1.55
		5	4.5	12.29	1.41	11.71	1.46	11.43	1.49	11.25	1.51	11.10	1.53	10.65	1.58
		10	9	13.96	1.43	13.39	1.47	13.02	1.51	12.80	1.53	12.62	1.55	12.12	1.60
		17	15	15.80	1.44	15.25	1.49	14.77	1.53	14.50	1.56	14.29	1.58	13.74	1.63
		20	19	16.91	1.45	16.37	1.50	15.83	1.55	15.53	1.58	15.30	1.60	14.72	1.65
		25	23	18.78	1.48	18.22	1.52	17.59	1.58	17.25	1.61	16.99	1.63	16.35	1.68
		30	28	20.65	1.51	20.02	1.56	19.33	1.60	18.97	1.64	18.69	1.67	18.00	1.71
		35	32	22.53	1.54	21.82	1.59	21.07	1.63	20.69	1.67	20.39	1.70	19.65	1.74
		40	36	23.68	1.58	23.02	1.64	22.28	1.68	21.90	1.72	21.59	1.75	20.81	1.79
		45	41	25.12	1.64	24.52	1.69	23.79	1.74	23.40	1.78	23.08	1.80	22.24	1.85
		47	43	25.69	1.66	25.12	1.71	24.40	1.77	24.00	1.80	23.68	1.82	22.82	1.88
	50	46	25.77	1.65	25.25	1.70	24.62	1.75	24.26	1.77	23.98	1.80	23.17	1.84	
	55	51	25.89	1.63	25.46	1.67	24.99	1.71	24.71	1.73	24.48	1.75	23.75	1.78	
	60	56	26.02	1.61	25.68	1.65	25.36	1.68	25.15	1.69	24.97	1.70	24.33	1.72	
	63	59	26.09	1.60	25.81	1.63	25.59	1.65	25.41	1.66	25.27	1.67	24.68	1.69	
	68	64	26.17	1.59	25.94	1.61	25.81	1.63	25.68	1.64	25.57	1.64	25.04	1.65	
	7 + 7 + 15	-4	-4.4	7.69	1.39	7.07	1.44	7.06	1.46	6.99	1.47	6.93	1.48	6.61	1.53
		0	-0.4	9.79	1.40	9.19	1.45	9.06	1.48	8.94	1.49	8.84	1.50	8.46	1.55
		5	4.5	12.29	1.41	11.71	1.46	11.43	1.49	11.25	1.51	11.10	1.53	10.65	1.58
		10	9	13.96	1.43	13.39	1.47	13.02	1.51	12.80	1.53	12.62	1.55	12.12	1.60
		17	15	15.80	1.44	15.25	1.49	14.77	1.53	14.50	1.56	14.29	1.58	13.74	1.63
		20	19	16.91	1.45	16.37	1.50	15.83	1.55	15.53	1.58	15.30	1.60	14.72	1.65
		25	23	18.78	1.48	18.22	1.52	17.59	1.58	17.25	1.61	16.99	1.63	16.35	1.68
		30	28	20.65	1.51	20.02	1.56	19.33	1.60	18.97	1.64	18.69	1.67	18.00	1.71
		35	32	22.53	1.54	21.82	1.59	21.07	1.63	20.69	1.67	20.39	1.70	19.65	1.74
		40	36	23.68	1.58	23.02	1.64	22.28	1.68	21.90	1.72	21.59	1.75	20.81	1.79
		45	41	25.12	1.64	24.52	1.69	23.79	1.74	23.40	1.78	23.08	1.80	22.24	1.85
		47	43	25.69	1.66	25.12	1.71	24.40	1.77	24.00	1.80	23.68	1.82	22.82	1.88
	50	46	25.77	1.65	25.25	1.70	24.62	1.75	24.26	1.77	23.98	1.80	23.17	1.84	
	55	51	25.89	1.63	25.46	1.67	24.99	1.71	24.71	1.73	24.48	1.75	23.75	1.78	
	60	56	26.02	1.61	25.68	1.65	25.36	1.68	25.15	1.69	24.97	1.70	24.33	1.72	
	63	59	26.09	1.60	25.81	1.63	25.59	1.65	25.41	1.66	25.27	1.67	24.68	1.69	
	68	64	26.17	1.59	25.94	1.61	25.81	1.63	25.68	1.64	25.57	1.64	25.04	1.65	
	9 + 9 + 12	-4	-4.4	7.69	1.39	7.07	1.44	7.06	1.46	6.99	1.47	6.93	1.48	6.61	1.53
		0	-0.4	9.79	1.40	9.19	1.45	9.06	1.48	8.94	1.49	8.84	1.50	8.46	1.55
		5	4.5	12.29	1.41	11.71	1.46	11.43	1.49	11.25	1.51	11.10	1.53	10.65	1.58
		10	9	13.96	1.43	13.39	1.47	13.02	1.51	12.80	1.53	12.62	1.55	12.12	1.60
		17	15	15.80	1.44	15.25	1.49	14.77	1.53	14.50	1.56	14.29	1.58	13.74	1.63
		20	19	16.91	1.45	16.37	1.50	15.83	1.55	15.53	1.58	15.30	1.60	14.72	1.65
		25	23	18.78	1.48	18.22	1.52	17.59	1.58	17.25	1.61	16.99	1.63	16.35	1.68
		30	28	20.65	1.51	20.02	1.56	19.33	1.60	18.97	1.64	18.69	1.67	18.00	1.71
		35	32	22.53	1.54	21.82	1.59	21.07	1.63	20.69	1.67	20.39	1.70	19.65	1.74
		40	36	23.68	1.58	23.02	1.64	22.28	1.68	21.90	1.72	21.59	1.75	20.81	1.79
		45	41	25.12	1.64	24.52	1.69	23.79	1.74	23.40	1.78	23.08	1.80	22.24	1.85
		47	43	25.69	1.66	25.12	1.71	24.40	1.77	24.00	1.80	23.68	1.82	22.82	1.88
		50	46	25.77	1.65	25.25	1.70	24.62	1.75	24.26	1.77	23.98	1.80	23.17	1.84
		55	51	25.89	1.63	25.46	1.67	24.99	1.71	24.71	1.73	24.48	1.75	23.75	1.78
60	56	26.02	1.61	25.68	1.65	25.36	1.68	25.15	1.69	24.97	1.70	24.33	1.72		
63	59	26.09	1.60	25.81	1.63	25.59	1.65	25.41	1.66	25.27	1.67	24.68	1.69		
68	64	26.17	1.59	25.94	1.61	25.81	1.63	25.68	1.64	25.57	1.64	25.04	1.65		

TC = Total Capacity (kBtu/h).

PI = Power Input (kW).

Nominal capacity as rated: 0 ft. above sea level with 25 ft. of refrigerant piping.
0 ft. level difference between outdoor and indoor units.

Nominal heating capacity rating obtained with air entering the indoor unit at 70°F dry bulb (DB) and 60°F wet bulb (WB), and outdoor ambient conditions of 47°F dry bulb (DB) and 43°F wet bulb (WB).



Table 190: LMU24CHV Heating Capacity Table — Non-Ducted Indoor Units (continued).

Connected Indoor Units	Combination Capacity Index	Outdoor Air Temp.		Indoor Air Temp. °F DB											
		°F DB	°F WB	61		64		68		70		72		75	
				TC	PI	TC	PI	TC	PI	TC	PI	TC	PI	TC	PI
Three (3) Non-Ducted Indoor Units	7 + 9 + 15	-4	-4.4	7.69	1.39	7.07	1.44	7.06	1.46	6.99	1.47	6.93	1.48	6.61	1.53
		0	-0.4	9.79	1.40	9.19	1.45	9.06	1.48	8.94	1.49	8.84	1.50	8.46	1.55
		5	4.5	12.29	1.41	11.71	1.46	11.43	1.49	11.25	1.51	11.10	1.53	10.65	1.58
		10	9	13.96	1.43	13.39	1.47	13.02	1.51	12.80	1.53	12.62	1.55	12.12	1.60
		17	15	15.80	1.44	15.25	1.49	14.77	1.53	14.50	1.56	14.29	1.58	13.74	1.63
		20	19	16.91	1.45	16.37	1.50	15.83	1.55	15.53	1.58	15.30	1.60	14.72	1.65
		25	23	18.78	1.48	18.22	1.52	17.59	1.58	17.25	1.61	16.99	1.63	16.35	1.68
		30	28	20.65	1.51	20.02	1.56	19.33	1.60	18.97	1.64	18.69	1.67	18.00	1.71
		35	32	22.53	1.54	21.82	1.59	21.07	1.63	20.69	1.67	20.39	1.70	19.65	1.74
		40	36	23.68	1.58	23.02	1.64	22.28	1.68	21.90	1.72	21.59	1.75	20.81	1.79
		45	41	25.12	1.64	24.52	1.69	23.79	1.74	23.40	1.78	23.08	1.80	22.24	1.85
		47	43	25.69	1.66	25.12	1.71	24.40	1.77	24.00	1.80	23.68	1.82	22.82	1.88
	50	46	25.77	1.65	25.25	1.70	24.62	1.75	24.26	1.77	23.98	1.80	23.17	1.84	
	55	51	25.89	1.63	25.46	1.67	24.99	1.71	24.71	1.73	24.48	1.75	23.75	1.78	
	60	56	26.02	1.61	25.68	1.65	25.36	1.68	25.15	1.69	24.97	1.70	24.33	1.72	
	63	59	26.09	1.60	25.81	1.63	25.59	1.65	25.41	1.66	25.27	1.67	24.68	1.69	
	68	64	26.17	1.59	25.94	1.61	25.81	1.63	25.68	1.64	25.57	1.64	25.04	1.65	
	7 + 12 + 12	-4	-4.4	7.69	1.39	7.07	1.44	7.06	1.46	6.99	1.47	6.93	1.48	6.61	1.53
		0	-0.4	9.79	1.40	9.19	1.45	9.06	1.48	8.94	1.49	8.84	1.50	8.46	1.55
		5	4.5	12.29	1.41	11.71	1.46	11.43	1.49	11.25	1.51	11.10	1.53	10.65	1.58
		10	9	13.96	1.43	13.39	1.47	13.02	1.51	12.80	1.53	12.62	1.55	12.12	1.60
		17	15	15.80	1.44	15.25	1.49	14.77	1.53	14.50	1.56	14.29	1.58	13.74	1.63
		20	19	16.91	1.45	16.37	1.50	15.83	1.55	15.53	1.58	15.30	1.60	14.72	1.65
		25	23	18.78	1.48	18.22	1.52	17.59	1.58	17.25	1.61	16.99	1.63	16.35	1.68
		30	28	20.65	1.51	20.02	1.56	19.33	1.60	18.97	1.64	18.69	1.67	18.00	1.71
		35	32	22.53	1.54	21.82	1.59	21.07	1.63	20.69	1.67	20.39	1.70	19.65	1.74
		40	36	23.68	1.58	23.02	1.64	22.28	1.68	21.90	1.72	21.59	1.75	20.81	1.79
		45	41	25.12	1.64	24.52	1.69	23.79	1.74	23.40	1.78	23.08	1.80	22.24	1.85
		47	43	25.69	1.66	25.12	1.71	24.40	1.77	24.00	1.80	23.68	1.82	22.82	1.88
	50	46	25.77	1.65	25.25	1.70	24.62	1.75	24.26	1.77	23.98	1.80	23.17	1.84	
	55	51	25.89	1.63	25.46	1.67	24.99	1.71	24.71	1.73	24.48	1.75	23.75	1.78	
	60	56	26.02	1.61	25.68	1.65	25.36	1.68	25.15	1.69	24.97	1.70	24.33	1.72	
	63	59	26.09	1.60	25.81	1.63	25.59	1.65	25.41	1.66	25.27	1.67	24.68	1.69	
	68	64	26.17	1.59	25.94	1.61	25.81	1.63	25.68	1.64	25.57	1.64	25.04	1.65	
	7 + 7 + 18	-4	-4.4	7.69	1.39	7.07	1.44	7.06	1.46	6.99	1.47	6.93	1.48	6.61	1.53
		0	-0.4	9.79	1.40	9.19	1.45	9.06	1.48	8.94	1.49	8.84	1.50	8.46	1.55
		5	4.5	12.29	1.41	11.71	1.46	11.43	1.49	11.25	1.51	11.10	1.53	10.65	1.58
		10	9	13.96	1.43	13.39	1.47	13.02	1.51	12.80	1.53	12.62	1.55	12.12	1.60
		17	15	15.80	1.44	15.25	1.49	14.77	1.53	14.50	1.56	14.29	1.58	13.74	1.63
		20	19	16.91	1.45	16.37	1.50	15.83	1.55	15.53	1.58	15.30	1.60	14.72	1.65
		25	23	18.78	1.48	18.22	1.52	17.59	1.58	17.25	1.61	16.99	1.63	16.35	1.68
		30	28	20.65	1.51	20.02	1.56	19.33	1.60	18.97	1.64	18.69	1.67	18.00	1.71
		35	32	22.53	1.54	21.82	1.59	21.07	1.63	20.69	1.67	20.39	1.70	19.65	1.74
		40	36	23.68	1.58	23.02	1.64	22.28	1.68	21.90	1.72	21.59	1.75	20.81	1.79
		45	41	25.12	1.64	24.52	1.69	23.79	1.74	23.40	1.78	23.08	1.80	22.24	1.85
		47	43	25.69	1.66	25.12	1.71	24.40	1.77	24.00	1.80	23.68	1.82	22.82	1.88
	50	46	25.77	1.65	25.25	1.70	24.62	1.75	24.26	1.77	23.98	1.80	23.17	1.84	
	55	51	25.89	1.63	25.46	1.67	24.99	1.71	24.71	1.73	24.48	1.75	23.75	1.78	
60	56	26.02	1.61	25.68	1.65	25.36	1.68	25.15	1.69	24.97	1.70	24.33	1.72		
63	59	26.09	1.60	25.81	1.63	25.59	1.65	25.41	1.66	25.27	1.67	24.68	1.69		
68	64	26.17	1.59	25.94	1.61	25.81	1.63	25.68	1.64	25.57	1.64	25.04	1.65		

TC = Total Capacity (kBtu/h).

PI = Power Input (kW).

Nominal capacity as rated: 0 ft. above sea level with 25 ft. of refrigerant piping.
0 ft. level difference between outdoor and indoor units.

Nominal heating capacity rating obtained with air entering the indoor unit at 70°F dry bulb (DB) and 60°F wet bulb (WB), and outdoor ambient conditions of 47°F dry bulb (DB) and 43°F wet bulb (WB).

PERFORMANCE DATA

Heating Capacity Tables

MULTI F
MULTI F MAX

Table 191: LMU24CHV Heating Capacity Table — Non-Ducted (continued) and Ducted Indoor Units.

Connected Indoor Units	Combination Capacity Index	Outdoor Air Temp.		Indoor Air Temp. °F DB											
		°F DB	°F WB	61		64		68		70		72		75	
				TC	PI	TC	PI	TC	PI	TC	PI	TC	PI	TC	PI
Three (3) Non-Ducted Indoor Units	9 + 9 + 15	-4	-4.4	7.69	1.39	7.07	1.44	7.06	1.46	6.99	1.47	6.93	1.48	6.61	1.53
		0	-0.4	9.79	1.40	9.19	1.45	9.06	1.48	8.94	1.49	8.84	1.50	8.46	1.55
		5	4.5	12.29	1.41	11.71	1.46	11.43	1.49	11.25	1.51	11.10	1.53	10.65	1.58
		10	9	13.96	1.43	13.39	1.47	13.02	1.51	12.80	1.53	12.62	1.55	12.12	1.60
		17	15	15.80	1.44	15.25	1.49	14.77	1.53	14.50	1.56	14.29	1.58	13.74	1.63
		20	19	16.91	1.45	16.37	1.50	15.83	1.55	15.53	1.58	15.30	1.60	14.72	1.65
		25	23	18.78	1.48	18.22	1.52	17.59	1.58	17.25	1.61	16.99	1.63	16.35	1.68
		30	28	20.65	1.51	20.02	1.56	19.33	1.60	18.97	1.64	18.69	1.67	18.00	1.71
		35	32	22.53	1.54	21.82	1.59	21.07	1.63	20.69	1.67	20.39	1.70	19.65	1.74
		40	36	23.68	1.58	23.02	1.64	22.28	1.68	21.90	1.72	21.59	1.75	20.81	1.79
		45	41	25.12	1.64	24.52	1.69	23.79	1.74	23.40	1.78	23.08	1.80	22.24	1.85
		47	43	25.69	1.66	25.12	1.71	24.40	1.77	24.00	1.80	23.68	1.82	22.82	1.88
		50	46	25.77	1.65	25.25	1.70	24.62	1.75	24.26	1.77	23.98	1.80	23.17	1.84
		55	51	25.89	1.63	25.46	1.67	24.99	1.71	24.71	1.73	24.48	1.75	23.75	1.78
		60	56	26.02	1.61	25.68	1.65	25.36	1.68	25.15	1.69	24.97	1.70	24.33	1.72
		63	59	26.09	1.60	25.81	1.63	25.59	1.65	25.41	1.66	25.27	1.67	24.68	1.69
		68	64	26.17	1.59	25.94	1.61	25.81	1.63	25.68	1.64	25.57	1.64	25.04	1.65
		68	64	26.17	1.59	25.94	1.61	25.81	1.63	25.68	1.64	25.57	1.64	25.04	1.65
	68	64	26.17	1.59	25.94	1.61	25.81	1.63	25.68	1.64	25.57	1.64	25.04	1.65	
	0	-0.4	9.79	1.40	9.19	1.45	9.06	1.48	8.94	1.49	8.84	1.50	8.46	1.55	
	5	4.5	12.29	1.41	11.71	1.46	11.43	1.49	11.25	1.51	11.10	1.53	10.65	1.58	
	10	9	13.96	1.43	13.39	1.47	13.02	1.51	12.80	1.53	12.62	1.55	12.12	1.60	
	17	15	15.80	1.44	15.25	1.49	14.77	1.53	14.50	1.56	14.29	1.58	13.74	1.63	
	20	19	16.91	1.45	16.37	1.50	15.83	1.55	15.53	1.58	15.30	1.60	14.72	1.65	
	25	23	18.78	1.48	18.22	1.52	17.59	1.58	17.25	1.61	16.99	1.63	16.35	1.68	
	30	28	20.65	1.51	20.02	1.56	19.33	1.60	18.97	1.64	18.69	1.67	18.00	1.71	
	35	32	22.53	1.54	21.82	1.59	21.07	1.63	20.69	1.67	20.39	1.70	19.65	1.74	
	40	36	23.68	1.58	23.02	1.64	22.28	1.68	21.90	1.72	21.59	1.75	20.81	1.79	
	45	41	25.12	1.64	24.52	1.69	23.79	1.74	23.40	1.78	23.08	1.80	22.24	1.85	
	47	43	25.69	1.66	25.12	1.71	24.40	1.77	24.00	1.80	23.68	1.82	22.82	1.88	
	50	46	25.77	1.65	25.25	1.70	24.62	1.75	24.26	1.77	23.98	1.80	23.17	1.84	
	55	51	25.89	1.63	25.46	1.67	24.99	1.71	24.71	1.73	24.48	1.75	23.75	1.78	
	60	56	26.02	1.61	25.68	1.65	25.36	1.68	25.15	1.69	24.97	1.70	24.33	1.72	
	63	59	26.09	1.60	25.81	1.63	25.59	1.65	25.41	1.66	25.27	1.67	24.68	1.69	
	68	64	26.17	1.59	25.94	1.61	25.81	1.63	25.68	1.64	25.57	1.64	25.04	1.65	
	Two (2) Ducted Indoor Units	9 + 9	-4	-4.4	6.76	1.38	6.24	1.44	6.22	1.46	6.15	1.47	6.09	1.47	5.82
0			-0.4	8.27	1.40	7.77	1.45	7.65	1.47	7.55	1.49	7.46	1.50	7.14	1.55
5			4.5	10.06	1.41	9.59	1.46	9.36	1.49	9.21	1.51	9.09	1.53	8.72	1.58
10			9	11.26	1.43	10.80	1.48	10.50	1.51	10.32	1.53	10.18	1.55	9.78	1.60
17			15	12.58	1.45	12.14	1.49	11.76	1.54	11.55	1.57	11.38	1.59	10.94	1.63
20			19	13.38	1.46	12.96	1.51	12.52	1.56	12.29	1.59	12.10	1.61	11.65	1.65
25			23	14.72	1.49	14.29	1.53	13.79	1.59	13.53	1.62	13.32	1.65	12.82	1.69
30			28	16.07	1.52	15.58	1.57	15.04	1.62	14.77	1.65	14.54	1.68	14.01	1.73
35			32	17.43	1.55	16.87	1.61	16.30	1.65	16.00	1.69	15.77	1.72	15.20	1.76
40			36	18.31	1.60	17.80	1.65	17.23	1.70	16.93	1.74	16.69	1.77	16.09	1.81
45			41	19.42	1.66	18.96	1.71	18.40	1.76	18.10	1.80	17.85	1.82	17.20	1.87
47			43	19.87	1.68	19.42	1.73	18.87	1.79	18.56	1.82	18.31	1.84	17.65	1.90
50			46	19.93	1.67	19.52	1.72	19.04	1.77	18.76	1.79	18.54	1.82	17.92	1.86
55			51	20.02	1.65	19.69	1.69	19.33	1.73	19.11	1.75	18.93	1.77	18.37	1.80
60			56	20.12	1.63	19.86	1.66	19.61	1.69	19.45	1.71	19.31	1.72	18.82	1.74
63			59	20.18	1.62	19.96	1.65	19.79	1.67	19.65	1.68	19.54	1.69	19.09	1.71
68			64	20.24	1.61	20.06	1.63	19.96	1.65	19.86	1.66	19.78	1.66	19.36	1.67

TC = Total Capacity (kBtu/h).

PI = Power Input (kW).

Nominal capacity as rated: 0 ft. above sea level with 25 ft. of refrigerant piping.
0 ft. level difference between outdoor and indoor units.

Nominal heating capacity rating obtained with air entering the indoor unit at 70°F dry bulb (DB) and 60°F wet bulb (WB), and outdoor ambient conditions of 47°F dry bulb (DB) and 43°F wet bulb (WB).



Table 192: LMU24CHV Heating Capacity Table — Ducted Indoor Units (continued).

Connected Indoor Units	Combination Capacity Index	Outdoor Air Temp.		Indoor Air Temp. °F DB												
		°F DB	°F WB	61		64		68		70		72		75		
				TC	PI	TC	PI	TC	PI	TC	PI	TC	PI	TC	PI	
Two (2) Ducted Indoor Units	9 + 12	-4	-4.4	7.89	1.53	7.28	1.59	7.25	1.61	7.17	1.62	7.11	1.63	6.79	1.69	
		0	-0.4	9.65	1.54	9.07	1.60	8.93	1.63	8.81	1.64	8.71	1.65	8.34	1.71	
		5	4.5	11.74	1.56	11.19	1.62	10.92	1.65	10.75	1.67	10.61	1.68	10.18	1.74	
		10	9	13.14	1.58	12.61	1.63	12.26	1.67	12.05	1.70	11.88	1.71	11.41	1.77	
		17	15	14.68	1.60	14.17	1.65	13.73	1.70	13.48	1.73	13.28	1.75	12.77	1.80	
		20	19	15.62	1.61	15.12	1.66	14.62	1.72	14.34	1.75	14.13	1.78	13.59	1.83	
		25	23	17.18	1.64	16.67	1.69	16.09	1.75	15.79	1.79	15.54	1.82	14.96	1.87	
		30	28	18.76	1.68	18.18	1.73	17.55	1.79	17.23	1.83	16.97	1.86	16.35	1.91	
		35	32	20.34	1.72	19.69	1.78	19.02	1.82	18.68	1.87	18.40	1.90	17.74	1.95	
		40	36	21.37	1.77	20.77	1.83	20.11	1.88	19.76	1.92	19.48	1.95	18.78	2.00	
		45	41	22.67	1.83	22.13	1.89	21.47	1.95	21.12	1.98	20.83	2.01	20.08	2.07	
		47	43	23.19	1.85	22.67	1.91	22.02	1.98	21.66	2.01	21.37	2.04	20.59	2.10	
		50	46	23.25	1.84	22.78	1.90	22.22	1.95	21.90	1.98	21.64	2.00	20.91	2.06	
		55	51	23.37	1.82	22.98	1.87	22.56	1.91	22.30	1.93	22.09	1.95	21.44	1.99	
		60	56	23.48	1.80	23.17	1.84	22.89	1.87	22.69	1.89	22.54	1.90	21.96	1.93	
		63	59	23.55	1.79	23.29	1.82	23.09	1.85	22.93	1.86	22.81	1.86	22.28	1.89	
		68	64	23.62	1.78	23.41	1.80	23.29	1.82	23.17	1.83	23.08	1.83	22.60	1.85	
		9 + 12	12 + 12	-4	-4.4	8.19	1.57	7.56	1.64	7.54	1.66	7.45	1.67	7.38	1.68	7.05
	0	-0.4		10.02	1.59	9.42	1.65	9.28	1.68	9.15	1.69	9.05	1.70	8.66	1.76	
	5	4.5		12.20	1.61	11.62	1.66	11.35	1.70	11.16	1.72	11.02	1.74	10.57	1.79	
	10	9		13.65	1.62	13.10	1.68	12.73	1.72	12.51	1.75	12.34	1.76	11.85	1.82	
	17	15		15.25	1.65	14.72	1.70	14.26	1.75	14.00	1.78	13.79	1.80	13.26	1.86	
	20	19		16.22	1.66	15.71	1.71	15.18	1.77	14.90	1.80	14.67	1.83	14.12	1.88	
	25	23		17.85	1.69	17.32	1.74	16.72	1.81	16.40	1.84	16.15	1.87	15.54	1.92	
	30	28		19.49	1.73	18.88	1.79	18.23	1.84	17.90	1.88	17.63	1.91	16.98	1.96	
	35	32		21.12	1.77	20.45	1.83	19.76	1.88	19.40	1.92	19.12	1.96	18.43	2.00	
	40	36		22.20	1.82	21.58	1.88	20.89	1.93	20.53	1.98	20.24	2.01	19.50	2.06	
	45	41		23.55	1.88	22.98	1.95	22.31	2.01	21.94	2.04	21.64	2.07	20.85	2.13	
	47	43		24.08	1.91	23.55	1.97	22.87	2.03	22.50	2.07	22.20	2.10	21.39	2.16	
	50	46		24.16	1.90	23.67	1.95	23.08	2.01	22.75	2.04	22.48	2.06	21.72	2.12	
	55	51		24.27	1.88	23.87	1.92	23.43	1.97	23.16	1.99	22.95	2.01	22.27	2.05	
	60	56		24.39	1.86	24.07	1.89	23.78	1.93	23.57	1.94	23.41	1.95	22.81	1.98	
	63	59		24.46	1.84	24.20	1.87	23.99	1.90	23.82	1.91	23.69	1.92	23.14	1.94	
	68	64		24.53	1.83	24.32	1.86	24.20	1.88	24.07	1.88	23.97	1.89	23.47	1.90	
	9 + 18	9 + 18		-4	-4.4	8.19	1.57	7.56	1.64	7.54	1.66	7.45	1.67	7.38	1.68	7.05
	0		-0.4	10.02	1.59	9.42	1.65	9.28	1.68	9.15	1.69	9.05	1.70	8.66	1.76	
	5		4.5	12.20	1.61	11.62	1.66	11.35	1.70	11.16	1.72	11.02	1.74	10.57	1.79	
	10		9	13.65	1.62	13.10	1.68	12.73	1.72	12.51	1.75	12.34	1.76	11.85	1.82	
	17		15	15.25	1.65	14.72	1.70	14.26	1.75	14.00	1.78	13.79	1.80	13.26	1.86	
	20		19	16.22	1.66	15.71	1.71	15.18	1.77	14.90	1.80	14.67	1.83	14.12	1.88	
	25		23	17.85	1.69	17.32	1.74	16.72	1.81	16.40	1.84	16.15	1.87	15.54	1.92	
	30		28	19.49	1.73	18.88	1.79	18.23	1.84	17.90	1.88	17.63	1.91	16.98	1.96	
	35		32	21.12	1.77	20.45	1.83	19.76	1.88	19.40	1.92	19.12	1.96	18.43	2.00	
	40		36	22.20	1.82	21.58	1.88	20.89	1.93	20.53	1.98	20.24	2.01	19.50	2.06	
	45		41	23.55	1.88	22.98	1.95	22.31	2.01	21.94	2.04	21.64	2.07	20.85	2.13	
	47		43	24.08	1.91	23.55	1.97	22.87	2.03	22.50	2.07	22.20	2.10	21.39	2.16	
	50		46	24.16	1.90	23.67	1.95	23.08	2.01	22.75	2.04	22.48	2.06	21.72	2.12	
	55		51	24.27	1.88	23.87	1.92	23.43	1.97	23.16	1.99	22.95	2.01	22.27	2.05	
	60		56	24.39	1.86	24.07	1.89	23.78	1.93	23.57	1.94	23.41	1.95	22.81	1.98	
	63		59	24.46	1.84	24.20	1.87	23.99	1.90	23.82	1.91	23.69	1.92	23.14	1.94	
	68		64	24.53	1.83	24.32	1.86	24.20	1.88	24.07	1.88	23.97	1.89	23.47	1.90	

TC = Total Capacity (kBtu/h).

PI = Power Input (kW).

Nominal capacity as rated: 0 ft. above sea level with 25 ft. of refrigerant piping.
0 ft. level difference between outdoor and indoor units.

Nominal heating capacity rating obtained with air entering the indoor unit at 70°F dry bulb (DB) and 60°F wet bulb (WB), and outdoor ambient conditions of 47°F dry bulb (DB) and 43°F wet bulb (WB).

PERFORMANCE DATA

Heating Capacity Tables

MULTI F
MULTI F MAX

Table 193: LHM24CHV Heating Capacity Table — Ducted Indoor Units (continued).

Connected Indoor Units	Combination Capacity Index	Outdoor Air Temp.		Indoor Air Temp. °F DB											
		°F DB	°F WB	61		64		68		70		72		75	
				TC	PI	TC	PI	TC	PI	TC	PI	TC	PI	TC	PI
Two (2) Ducted Indoor Units	12 + 18	-4	-4.4	8.19	1.57	7.56	1.64	7.54	1.66	7.45	1.67	7.38	1.68	7.05	1.74
		0	-0.4	10.02	1.59	9.42	1.65	9.28	1.68	9.15	1.69	9.05	1.70	8.66	1.76
		5	4.5	12.20	1.61	11.62	1.66	11.35	1.70	11.16	1.72	11.02	1.74	10.57	1.79
		10	9	13.65	1.62	13.10	1.68	12.73	1.72	12.51	1.75	12.34	1.76	11.85	1.82
		17	15	15.25	1.65	14.72	1.70	14.26	1.75	14.00	1.78	13.79	1.80	13.26	1.86
		20	19	16.22	1.66	15.71	1.71	15.18	1.77	14.90	1.80	14.67	1.83	14.12	1.88
		25	23	17.85	1.69	17.32	1.74	16.72	1.81	16.40	1.84	16.15	1.87	15.54	1.92
		30	28	19.49	1.73	18.88	1.79	18.23	1.84	17.90	1.88	17.63	1.91	16.98	1.96
		35	32	21.12	1.77	20.45	1.83	19.76	1.88	19.40	1.92	19.12	1.96	18.43	2.00
		40	36	22.20	1.82	21.58	1.88	20.89	1.93	20.53	1.98	20.24	2.01	19.50	2.06
		45	41	23.55	1.88	22.98	1.95	22.31	2.01	21.94	2.04	21.64	2.07	20.85	2.13
		47	43	24.08	1.91	23.55	1.97	22.87	2.03	22.50	2.07	22.20	2.10	21.39	2.16
		50	46	24.16	1.90	23.67	1.95	23.08	2.01	22.75	2.04	22.48	2.06	21.72	2.12
		55	51	24.27	1.88	23.87	1.92	23.43	1.97	23.16	1.99	22.95	2.01	22.27	2.05
		60	56	24.39	1.86	24.07	1.89	23.78	1.93	23.57	1.94	23.41	1.95	22.81	1.98
		63	59	24.46	1.84	24.20	1.87	23.99	1.90	23.82	1.91	23.69	1.92	23.14	1.94
68	64	24.53	1.83	24.32	1.86	24.20	1.88	24.07	1.88	23.97	1.89	23.47	1.90		
Three (3) Ducted Indoor Units	9 + 9 + 9	-4	-4.4	8.19	1.46	7.56	1.52	7.54	1.54	7.45	1.55	7.38	1.56	7.05	1.61
		0	-0.4	10.02	1.47	9.42	1.53	9.28	1.55	9.15	1.57	9.05	1.58	8.66	1.64
		5	4.5	12.20	1.49	11.62	1.54	11.35	1.58	11.16	1.59	11.02	1.61	10.57	1.66
		10	9	13.65	1.51	13.10	1.56	12.73	1.60	12.51	1.62	12.34	1.64	11.85	1.69
		17	15	15.25	1.53	14.72	1.58	14.26	1.62	14.00	1.65	13.79	1.67	13.26	1.72
		20	19	16.22	1.54	15.71	1.59	15.18	1.64	14.90	1.67	14.67	1.70	14.12	1.74
		25	23	17.85	1.57	17.32	1.61	16.72	1.68	16.40	1.71	16.15	1.74	15.54	1.78
		30	28	19.49	1.60	18.88	1.66	18.23	1.71	17.90	1.75	17.63	1.78	16.98	1.82
		35	32	21.12	1.64	20.45	1.70	19.76	1.74	19.40	1.78	19.12	1.81	18.43	1.86
		40	36	22.20	1.69	21.58	1.75	20.89	1.79	20.53	1.83	20.24	1.86	19.50	1.91
		45	41	23.55	1.75	22.98	1.81	22.31	1.86	21.94	1.89	21.64	1.92	20.85	1.98
		47	43	24.08	1.77	23.55	1.83	22.87	1.89	22.50	1.92	22.20	1.95	21.39	2.00
		50	46	24.16	1.76	23.67	1.81	23.08	1.86	22.75	1.89	22.48	1.92	21.72	1.97
		55	51	24.27	1.74	23.87	1.78	23.43	1.83	23.16	1.85	22.95	1.86	22.27	1.90
		60	56	24.39	1.72	24.07	1.76	23.78	1.79	23.57	1.80	23.41	1.81	22.81	1.84
		63	59	24.46	1.71	24.20	1.74	23.99	1.76	23.82	1.77	23.69	1.78	23.14	1.80
	68	64	24.53	1.70	24.32	1.72	24.20	1.74	24.07	1.75	23.97	1.75	23.47	1.76	
	9 + 9 + 12	-4	-4.4	8.19	1.46	7.56	1.52	7.54	1.54	7.45	1.55	7.38	1.56	7.05	1.61
		0	-0.4	10.02	1.47	9.42	1.53	9.28	1.55	9.15	1.57	9.05	1.58	8.66	1.64
		5	4.5	12.20	1.49	11.62	1.54	11.35	1.58	11.16	1.59	11.02	1.61	10.57	1.66
		10	9	13.65	1.51	13.10	1.56	12.73	1.60	12.51	1.62	12.34	1.64	11.85	1.69
		17	15	15.25	1.53	14.72	1.58	14.26	1.62	14.00	1.65	13.79	1.67	13.26	1.72
		20	19	16.22	1.54	15.71	1.59	15.18	1.64	14.90	1.67	14.67	1.70	14.12	1.74
		25	23	17.85	1.57	17.32	1.61	16.72	1.68	16.40	1.71	16.15	1.74	15.54	1.78
		30	28	19.49	1.60	18.88	1.66	18.23	1.71	17.90	1.75	17.63	1.78	16.98	1.82
		35	32	21.12	1.64	20.45	1.70	19.76	1.74	19.40	1.78	19.12	1.81	18.43	1.86
		40	36	22.20	1.69	21.58	1.75	20.89	1.79	20.53	1.83	20.24	1.86	19.50	1.91
		45	41	23.55	1.75	22.98	1.81	22.31	1.86	21.94	1.89	21.64	1.92	20.85	1.98
		47	43	24.08	1.77	23.55	1.83	22.87	1.89	22.50	1.92	22.20	1.95	21.39	2.00
		50	46	24.16	1.76	23.67	1.81	23.08	1.86	22.75	1.89	22.48	1.92	21.72	1.97
		55	51	24.27	1.74	23.87	1.78	23.43	1.83	23.16	1.85	22.95	1.86	22.27	1.90
		60	56	24.39	1.72	24.07	1.76	23.78	1.79	23.57	1.80	23.41	1.81	22.81	1.84
63		59	24.46	1.71	24.20	1.74	23.99	1.76	23.82	1.77	23.69	1.78	23.14	1.80	
68	64	24.53	1.70	24.32	1.72	24.20	1.74	24.07	1.75	23.97	1.75	23.47	1.76		

TC = Total Capacity (kBtu/h).

PI = Power Input (kW).

Nominal capacity as rated: 0 ft. above sea level with 25 ft. of refrigerant piping.
0 ft. level difference between outdoor and indoor units.

Nominal heating capacity rating obtained with air entering the indoor unit at 70°F dry bulb (DB) and 60°F wet bulb (WB), and outdoor ambient conditions of 47°F dry bulb (DB) and 43°F wet bulb (WB).

Multi F and Multi F MAX Heat Pump System Engineering Manual

Table 194: LHM24CHV Heating Capacity Table — Ducted (continued) and Mixed Indoor Units.

Connected Indoor Units	Combination Capacity Index	Outdoor Air Temp.		Indoor Air Temp. °F DB											
		°F DB	°F WB	61		64		68		70		72		75	
				TC	PI	TC	PI	TC	PI	TC	PI	TC	PI	TC	PI
Three (3) Ducted Indoor Units	9 + 12 + 12	-4	-4.4	8.19	1.46	7.56	1.52	7.54	1.54	7.45	1.55	7.38	1.56	7.05	1.61
		0	-0.4	10.02	1.47	9.42	1.53	9.28	1.55	9.15	1.57	9.05	1.58	8.66	1.64
		5	4.5	12.20	1.49	11.62	1.54	11.35	1.58	11.16	1.59	11.02	1.61	10.57	1.66
		10	9	13.65	1.51	13.10	1.56	12.73	1.60	12.51	1.62	12.34	1.64	11.85	1.69
		17	15	15.25	1.53	14.72	1.58	14.26	1.62	14.00	1.65	13.79	1.67	13.26	1.72
		20	19	16.22	1.54	15.71	1.59	15.18	1.64	14.90	1.67	14.67	1.70	14.12	1.74
		25	23	17.85	1.57	17.32	1.61	16.72	1.68	16.40	1.71	16.15	1.74	15.54	1.78
		30	28	19.49	1.60	18.88	1.66	18.23	1.71	17.90	1.75	17.63	1.78	16.98	1.82
		35	32	21.12	1.64	20.45	1.70	19.76	1.74	19.40	1.78	19.12	1.81	18.43	1.86
		40	36	22.20	1.69	21.58	1.75	20.89	1.79	20.53	1.83	20.24	1.86	19.50	1.91
		45	41	23.55	1.75	22.98	1.81	22.31	1.86	21.94	1.89	21.64	1.92	20.85	1.98
		47	43	24.08	1.77	23.55	1.83	22.87	1.89	22.50	1.92	22.20	1.95	21.39	2.00
		50	46	24.16	1.76	23.67	1.81	23.08	1.86	22.75	1.89	22.48	1.92	21.72	1.97
		55	51	24.27	1.74	23.87	1.78	23.43	1.83	23.16	1.85	22.95	1.86	22.27	1.90
		60	56	24.39	1.72	24.07	1.76	23.78	1.79	23.57	1.80	23.41	1.81	22.81	1.84
		63	59	24.46	1.71	24.20	1.74	23.99	1.76	23.82	1.77	23.69	1.78	23.14	1.80
68	64	24.53	1.70	24.32	1.72	24.20	1.74	24.07	1.75	23.97	1.75	23.47	1.76		
Two (2) Mixed Indoor Units	7 + 9	-4	-4.4	5.83	1.28	5.36	1.33	5.35	1.35	5.30	1.35	5.25	1.36	5.01	1.41
		0	-0.4	7.27	1.29	6.82	1.34	6.72	1.36	6.63	1.37	6.56	1.38	6.28	1.43
		5	4.5	8.98	1.30	8.55	1.35	8.35	1.38	8.22	1.39	8.11	1.41	7.78	1.45
		10	9	10.12	1.32	9.71	1.36	9.44	1.40	9.28	1.41	9.15	1.43	8.79	1.48
		17	15	11.39	1.33	10.99	1.38	10.64	1.42	10.45	1.44	10.30	1.46	9.90	1.50
		20	19	12.15	1.34	11.76	1.39	11.37	1.43	11.16	1.46	10.99	1.48	10.57	1.52
		25	23	13.43	1.37	13.03	1.41	12.58	1.46	12.34	1.49	12.15	1.51	11.69	1.55
		30	28	14.72	1.40	14.26	1.44	13.77	1.49	13.52	1.52	13.32	1.55	12.83	1.58
		35	32	16.01	1.43	15.50	1.48	14.97	1.51	14.70	1.55	14.49	1.58	13.96	1.62
		40	36	16.82	1.47	16.35	1.52	15.83	1.56	15.56	1.59	15.34	1.62	14.78	1.66
		45	41	17.84	1.52	17.42	1.57	16.90	1.62	16.62	1.65	16.40	1.67	15.80	1.72
		47	43	18.25	1.54	17.84	1.59	17.33	1.64	17.05	1.67	16.82	1.69	16.21	1.74
		50	46	18.30	1.53	17.94	1.58	17.49	1.62	17.24	1.65	17.04	1.67	16.46	1.71
		55	51	18.39	1.51	18.09	1.55	17.75	1.59	17.55	1.61	17.39	1.62	16.87	1.66
	60	56	18.48	1.50	18.24	1.53	18.02	1.55	17.86	1.57	17.74	1.58	17.29	1.60	
	63	59	18.54	1.49	18.33	1.51	18.18	1.53	18.05	1.54	17.95	1.55	17.54	1.57	
	68	64	18.59	1.48	18.43	1.50	18.34	1.52	18.24	1.52	18.17	1.52	17.79	1.53	
	9 + 9	-4	-4.4	6.55	1.35	6.03	1.41	6.02	1.43	5.96	1.44	5.90	1.44	5.64	1.50
		0	-0.4	8.17	1.37	7.67	1.42	7.56	1.44	7.46	1.45	7.38	1.47	7.06	1.52
		5	4.5	10.10	1.38	9.62	1.43	9.40	1.46	9.24	1.48	9.12	1.49	8.75	1.54
		10	9	11.39	1.39	10.93	1.44	10.62	1.48	10.44	1.50	10.29	1.52	9.89	1.56
		17	15	12.81	1.41	12.36	1.46	11.97	1.50	11.76	1.53	11.58	1.55	11.14	1.59
		20	19	13.67	1.42	13.23	1.47	12.79	1.52	12.55	1.55	12.36	1.57	11.89	1.61
		25	23	15.11	1.45	14.66	1.49	14.15	1.55	13.88	1.58	13.67	1.60	13.15	1.65
		30	28	16.56	1.48	16.04	1.53	15.49	1.58	15.21	1.61	14.98	1.64	14.43	1.68
		35	32	18.01	1.51	17.43	1.56	16.84	1.61	16.54	1.64	16.30	1.67	15.71	1.71
		40	36	18.93	1.55	18.39	1.61	17.81	1.65	17.50	1.69	17.25	1.72	16.63	1.76
		45	41	20.07	1.61	19.59	1.66	19.02	1.72	18.70	1.75	18.45	1.77	17.78	1.82
47		43	20.53	1.63	20.07	1.69	19.50	1.74	19.18	1.77	18.93	1.79	18.24	1.85	
50		46	20.59	1.62	20.18	1.67	19.68	1.72	19.39	1.74	19.16	1.77	18.52	1.81	
55		51	20.69	1.60	20.35	1.64	19.97	1.68	19.74	1.70	19.56	1.72	18.98	1.75	
60	56	20.79	1.59	20.52	1.62	20.27	1.65	20.10	1.66	19.96	1.67	19.45	1.70		
63	59	20.85	1.58	20.63	1.60	20.45	1.63	20.31	1.63	20.20	1.64	19.73	1.66		
68	64	20.91	1.57	20.73	1.59	20.63	1.61	20.52	1.61	20.44	1.61	20.01	1.63		

TC = Total Capacity (kBtu/h).

PI = Power Input (kW).

Nominal capacity as rated: 0 ft. above sea level with 25 ft. of refrigerant piping.
0 ft. level difference between outdoor and indoor units.

Nominal heating capacity rating obtained with air entering the indoor unit at 70°F dry bulb (DB) and 60°F wet bulb (WB), and outdoor ambient conditions of 47°F dry bulb (DB) and 43°F wet bulb (WB).

Multi F Outdoor Unit Data

PERFORMANCE DATA

Heating Capacity Tables

MULTI F MULTI F MAX

Table 195: LMU24CHV Heating Capacity Table — Mixed Indoor Units (continued).

Connected Indoor Units	Combination Capacity Index	Outdoor Air Temp.		Indoor Air Temp. °F DB												
		°F DB	°F WB	61		64		68		70		72		75		
				TC	PI	TC	PI	TC	PI	TC	PI	TC	PI	TC	PI	
Two (2) Mixed Indoor Units	7 + 12	-4	-4.4	6.92	1.39	6.37	1.45	6.36	1.47	6.29	1.48	6.23	1.48	5.95	1.54	
		0	-0.4	8.63	1.41	8.10	1.46	7.99	1.48	7.88	1.50	7.79	1.51	7.46	1.56	
		5	4.5	10.66	1.42	10.16	1.47	9.92	1.50	9.76	1.52	9.63	1.53	9.24	1.58	
		10	9	12.02	1.43	11.54	1.48	11.22	1.52	11.02	1.54	10.87	1.56	10.44	1.61	
		17	15	13.52	1.45	13.05	1.50	12.64	1.55	12.41	1.57	12.23	1.59	11.76	1.64	
		20	19	14.43	1.47	13.97	1.51	13.50	1.56	13.25	1.59	13.05	1.61	12.56	1.66	
		25	23	15.95	1.49	15.48	1.53	14.94	1.59	14.66	1.62	14.43	1.65	13.89	1.69	
		30	28	17.48	1.52	16.94	1.57	16.36	1.62	16.06	1.66	15.82	1.68	15.24	1.73	
		35	32	19.01	1.55	18.41	1.61	17.78	1.65	17.46	1.69	17.20	1.72	16.58	1.76	
		40	36	19.98	1.60	19.42	1.65	18.80	1.70	18.47	1.74	18.21	1.77	17.55	1.81	
		45	41	21.19	1.66	20.69	1.71	20.08	1.76	19.74	1.80	19.48	1.82	18.77	1.87	
		47	43	21.68	1.68	21.19	1.73	20.59	1.79	20.25	1.82	19.98	1.84	19.25	1.90	
		50	46	21.74	1.67	21.30	1.72	20.77	1.77	20.47	1.79	20.23	1.82	19.55	1.86	
		55	51	21.85	1.65	21.48	1.69	21.09	1.73	20.84	1.75	20.65	1.77	20.04	1.80	
		60	56	21.95	1.63	21.67	1.66	21.40	1.69	21.22	1.71	21.07	1.72	20.53	1.74	
		63	59	22.02	1.62	21.78	1.65	21.59	1.67	21.44	1.68	21.32	1.69	20.83	1.71	
		68	64	22.08	1.61	21.89	1.63	21.78	1.65	21.67	1.66	21.58	1.66	21.13	1.67	
	9 + 12	9 + 12	-4	-4.4	7.65	1.49	7.04	1.55	7.03	1.57	6.95	1.58	6.89	1.59	6.58	1.65
	0		-0.4	9.54	1.51	8.95	1.56	8.83	1.59	8.70	1.60	8.61	1.61	8.24	1.67	
	5		4.5	11.78	1.52	11.23	1.58	10.96	1.61	10.79	1.63	10.65	1.64	10.22	1.70	
	10		9	13.29	1.54	12.75	1.59	12.39	1.63	12.18	1.65	12.01	1.67	11.54	1.72	
	17		15	14.94	1.56	14.42	1.61	13.97	1.66	13.72	1.68	13.51	1.71	12.99	1.76	
	20		19	15.95	1.57	15.44	1.62	14.92	1.67	14.65	1.70	14.43	1.73	13.88	1.78	
	25		23	17.63	1.60	17.10	1.64	16.51	1.71	16.20	1.74	15.95	1.77	15.35	1.81	
	30		28	19.32	1.63	18.72	1.68	18.08	1.74	17.75	1.77	17.48	1.81	16.84	1.85	
	35		32	21.01	1.66	20.34	1.72	19.65	1.77	19.30	1.81	19.01	1.84	18.33	1.89	
	40		36	22.08	1.71	21.46	1.77	20.78	1.82	20.42	1.86	20.13	1.89	19.40	1.94	
	45		41	23.42	1.77	22.86	1.83	22.19	1.89	21.82	1.92	21.52	1.95	20.74	2.01	
	47		43	23.96	1.80	23.42	1.86	22.75	1.92	22.38	1.95	22.08	1.98	21.28	2.04	
	50		46	24.03	1.79	23.54	1.84	22.96	1.89	22.63	1.92	22.36	1.94	21.61	2.00	
	55		51	24.14	1.77	23.74	1.81	23.31	1.85	23.04	1.88	22.82	1.89	22.15	1.93	
	60		56	24.26	1.75	23.95	1.78	23.65	1.82	23.45	1.83	23.29	1.84	22.69	1.87	
	63		59	24.33	1.74	24.07	1.77	23.86	1.79	23.70	1.80	23.56	1.81	23.02	1.83	
	68		64	24.40	1.73	24.19	1.75	24.07	1.77	23.94	1.77	23.85	1.78	23.35	1.79	
	9 + 15	9 + 15	-4	-4.4	7.94	1.53	7.32	1.59	7.30	1.61	7.22	1.62	7.16	1.63	6.83	1.69
	0		-0.4	9.91	1.54	9.30	1.60	9.17	1.63	9.04	1.64	8.94	1.66	8.56	1.71	
	5		4.5	12.24	1.56	11.66	1.62	11.39	1.65	11.21	1.67	11.06	1.69	10.61	1.74	
	10		9	13.81	1.58	13.25	1.63	12.88	1.67	12.66	1.69	12.48	1.71	11.99	1.77	
	17		15	15.53	1.60	14.99	1.65	14.51	1.70	14.25	1.73	14.04	1.75	13.50	1.80	
	20		19	16.57	1.61	16.04	1.66	15.50	1.72	15.22	1.75	14.99	1.77	14.42	1.82	
	25		23	18.31	1.64	17.77	1.69	17.15	1.75	16.83	1.78	16.57	1.81	15.94	1.86	
	30		28	20.07	1.67	19.45	1.73	18.78	1.78	18.44	1.82	18.16	1.85	17.49	1.90	
	35		32	21.83	1.71	21.13	1.77	20.41	1.81	20.05	1.86	19.75	1.89	19.04	1.94	
	40		36	22.94	1.76	22.30	1.82	21.59	1.87	21.21	1.91	20.91	1.94	20.15	1.99	
	45		41	24.33	1.82	23.75	1.88	23.05	1.94	22.67	1.97	22.36	2.00	21.55	2.06	
	47		43	24.89	1.84	24.33	1.91	23.64	1.97	23.25	2.00	22.94	2.03	22.11	2.09	
	50		46	24.96	1.83	24.46	1.89	23.85	1.94	23.51	1.97	23.23	1.99	22.45	2.05	
	55		51	25.08	1.81	24.67	1.86	24.21	1.90	23.93	1.92	23.71	1.94	23.01	1.98	
	60	56	25.20	1.79	24.88	1.83	24.57	1.86	24.36	1.88	24.19	1.89	23.57	1.92		
	63	59	25.28	1.78	25.00	1.81	24.79	1.84	24.62	1.85	24.48	1.85	23.91	1.88		
	68	64	25.35	1.77	25.13	1.79	25.00	1.81	24.88	1.82	24.77	1.82	24.25	1.84		

TC = Total Capacity (kBtu/h).

PI = Power Input (kW).

Nominal capacity as rated: 0 ft. above sea level with 25 ft. of refrigerant piping.
0 ft. level difference between outdoor and indoor units.

Nominal heating capacity rating obtained with air entering the indoor unit at 70°F dry bulb (DB) and 60°F wet bulb (WB), and outdoor ambient conditions of 47°F dry bulb (DB) and 43°F wet bulb (WB).



Table 196: LMU24CHV Heating Capacity Table — Mixed Indoor Units (continued).

Connected Indoor Units	Combination Capacity Index	Outdoor Air Temp.		Indoor Air Temp. °F DB											
		°F DB	°F WB	61		64		68		70		72		75	
				TC	PI	TC	PI	TC	PI	TC	PI	TC	PI	TC	PI
Two (2) Mixed Indoor Units	12 + 12	-4	-4.4	7.94	1.53	7.32	1.59	7.30	1.61	7.22	1.62	7.16	1.63	6.83	1.69
		0	-0.4	9.91	1.54	9.30	1.60	9.17	1.63	9.04	1.64	8.94	1.66	8.56	1.71
		5	4.5	12.24	1.56	11.66	1.62	11.39	1.65	11.21	1.67	11.06	1.69	10.61	1.74
		10	9	13.81	1.58	13.25	1.63	12.88	1.67	12.66	1.69	12.48	1.71	11.99	1.77
		17	15	15.53	1.60	14.99	1.65	14.51	1.70	14.25	1.73	14.04	1.75	13.50	1.80
		20	19	16.57	1.61	16.04	1.66	15.50	1.72	15.22	1.75	14.99	1.77	14.42	1.82
		25	23	18.31	1.64	17.77	1.69	17.15	1.75	16.83	1.78	16.57	1.81	15.94	1.86
		30	28	20.07	1.67	19.45	1.73	18.78	1.78	18.44	1.82	18.16	1.85	17.49	1.90
		35	32	21.83	1.71	21.13	1.77	20.41	1.81	20.05	1.86	19.75	1.89	19.04	1.94
		40	36	22.94	1.76	22.30	1.82	21.59	1.87	21.21	1.91	20.91	1.94	20.15	1.99
		45	41	24.33	1.82	23.75	1.88	23.05	1.94	22.67	1.97	22.36	2.00	21.55	2.06
		47	43	24.89	1.84	24.33	1.91	23.64	1.97	23.25	2.00	22.94	2.03	22.11	2.09
		50	46	24.96	1.83	24.46	1.89	23.85	1.94	23.51	1.97	23.23	1.99	22.45	2.05
		55	51	25.08	1.81	24.67	1.86	24.21	1.90	23.93	1.92	23.71	1.94	23.01	1.98
		60	56	25.20	1.79	24.88	1.83	24.57	1.86	24.36	1.88	24.19	1.89	23.57	1.92
		63	59	25.28	1.78	25.00	1.81	24.79	1.84	24.62	1.85	24.48	1.85	23.91	1.88
		68	64	25.35	1.77	25.13	1.79	25.00	1.81	24.88	1.82	24.77	1.82	24.25	1.84
		7 + 18	-4	-4.4	7.94	1.53	7.32	1.59	7.30	1.61	7.22	1.62	7.16	1.63	6.83
	0		-0.4	9.91	1.54	9.30	1.60	9.17	1.63	9.04	1.64	8.94	1.66	8.56	1.71
	5		4.5	12.24	1.56	11.66	1.62	11.39	1.65	11.21	1.67	11.06	1.69	10.61	1.74
	10		9	13.81	1.58	13.25	1.63	12.88	1.67	12.66	1.69	12.48	1.71	11.99	1.77
	17		15	15.53	1.60	14.99	1.65	14.51	1.70	14.25	1.73	14.04	1.75	13.50	1.80
	20		19	16.57	1.61	16.04	1.66	15.50	1.72	15.22	1.75	14.99	1.77	14.42	1.82
	25		23	18.31	1.64	17.77	1.69	17.15	1.75	16.83	1.78	16.57	1.81	15.94	1.86
	30		28	20.07	1.67	19.45	1.73	18.78	1.78	18.44	1.82	18.16	1.85	17.49	1.90
	35		32	21.83	1.71	21.13	1.77	20.41	1.81	20.05	1.86	19.75	1.89	19.04	1.94
	40		36	22.94	1.76	22.30	1.82	21.59	1.87	21.21	1.91	20.91	1.94	20.15	1.99
	45		41	24.33	1.82	23.75	1.88	23.05	1.94	22.67	1.97	22.36	2.00	21.55	2.06
	47		43	24.89	1.84	24.33	1.91	23.64	1.97	23.25	2.00	22.94	2.03	22.11	2.09
	50		46	24.96	1.83	24.46	1.89	23.85	1.94	23.51	1.97	23.23	1.99	22.45	2.05
	55		51	25.08	1.81	24.67	1.86	24.21	1.90	23.93	1.92	23.71	1.94	23.01	1.98
	60		56	25.20	1.79	24.88	1.83	24.57	1.86	24.36	1.88	24.19	1.89	23.57	1.92
	63		59	25.28	1.78	25.00	1.81	24.79	1.84	24.62	1.85	24.48	1.85	23.91	1.88
	68		64	25.35	1.77	25.13	1.79	25.00	1.81	24.88	1.82	24.77	1.82	24.25	1.84
	9 + 18		-4	-4.4	7.94	1.53	7.32	1.59	7.30	1.61	7.22	1.62	7.16	1.63	6.83
		0	-0.4	9.91	1.54	9.30	1.60	9.17	1.63	9.04	1.64	8.94	1.66	8.56	1.71
		5	4.5	12.24	1.56	11.66	1.62	11.39	1.65	11.21	1.67	11.06	1.69	10.61	1.74
		10	9	13.81	1.58	13.25	1.63	12.88	1.67	12.66	1.69	12.48	1.71	11.99	1.77
		17	15	15.53	1.60	14.99	1.65	14.51	1.70	14.25	1.73	14.04	1.75	13.50	1.80
		20	19	16.57	1.61	16.04	1.66	15.50	1.72	15.22	1.75	14.99	1.77	14.42	1.82
		25	23	18.31	1.64	17.77	1.69	17.15	1.75	16.83	1.78	16.57	1.81	15.94	1.86
		30	28	20.07	1.67	19.45	1.73	18.78	1.78	18.44	1.82	18.16	1.85	17.49	1.90
		35	32	21.83	1.71	21.13	1.77	20.41	1.81	20.05	1.86	19.75	1.89	19.04	1.94
		40	36	22.94	1.76	22.30	1.82	21.59	1.87	21.21	1.91	20.91	1.94	20.15	1.99
		45	41	24.33	1.82	23.75	1.88	23.05	1.94	22.67	1.97	22.36	2.00	21.55	2.06
		47	43	24.89	1.84	24.33	1.91	23.64	1.97	23.25	2.00	22.94	2.03	22.11	2.09

TC = Total Capacity (kBtu/h).

PI = Power Input (kW).

Nominal capacity as rated: 0 ft. above sea level with 25 ft. of refrigerant piping.

0 ft. level difference between outdoor and indoor units.

Nominal heating capacity rating obtained with air entering the indoor unit at 70°F dry bulb (DB) and 60°F wet bulb (WB), and outdoor ambient conditions of 47°F dry bulb (DB) and 43°F wet bulb (WB).

PERFORMANCE DATA

Heating Capacity Tables

Table 197: LMU24CHV Heating Capacity Table — Mixed Indoor Units (continued).

Connected Indoor Units	Combination Capacity Index	Outdoor Air Temp.		Indoor Air Temp. °F DB											
		°F DB	°F WB	61		64		68		70		72		75	
				TC	PI	TC	PI	TC	PI	TC	PI	TC	PI	TC	PI
Two (2) Mixed Indoor Units	12 + 15	-4	-4.4	7.94	1.53	7.32	1.59	7.30	1.61	7.22	1.62	7.16	1.63	6.83	1.69
		0	-0.4	9.91	1.54	9.30	1.60	9.17	1.63	9.04	1.64	8.94	1.66	8.56	1.71
		5	4.5	12.24	1.56	11.66	1.62	11.39	1.65	11.21	1.67	11.06	1.69	10.61	1.74
		10	9	13.81	1.58	13.25	1.63	12.88	1.67	12.66	1.69	12.48	1.71	11.99	1.77
		17	15	15.53	1.60	14.99	1.65	14.51	1.70	14.25	1.73	14.04	1.75	13.50	1.80
		20	19	16.57	1.61	16.04	1.66	15.50	1.72	15.22	1.75	14.99	1.77	14.42	1.82
		25	23	18.31	1.64	17.77	1.69	17.15	1.75	16.83	1.78	16.57	1.81	15.94	1.86
		30	28	20.07	1.67	19.45	1.73	18.78	1.78	18.44	1.82	18.16	1.85	17.49	1.90
		35	32	21.83	1.71	21.13	1.77	20.41	1.81	20.05	1.86	19.75	1.89	19.04	1.94
		40	36	22.94	1.76	22.30	1.82	21.59	1.87	21.21	1.91	20.91	1.94	20.15	1.99
		45	41	24.33	1.82	23.75	1.88	23.05	1.94	22.67	1.97	22.36	2.00	21.55	2.06
		47	43	24.89	1.84	24.33	1.91	23.64	1.97	23.25	2.00	22.94	2.03	22.11	2.09
		50	46	24.96	1.83	24.46	1.89	23.85	1.94	23.51	1.97	23.23	1.99	22.45	2.05
		55	51	25.08	1.81	24.67	1.86	24.21	1.90	23.93	1.92	23.71	1.94	23.01	1.98
		60	56	25.20	1.79	24.88	1.83	24.57	1.86	24.36	1.88	24.19	1.89	23.57	1.92
		63	59	25.28	1.78	25.00	1.81	24.79	1.84	24.62	1.85	24.48	1.85	23.91	1.88
		68	64	25.35	1.77	25.13	1.79	25.00	1.81	24.88	1.82	24.77	1.82	24.25	1.84
		12 + 18	-4	-4.4	7.94	1.53	7.32	1.59	7.30	1.61	7.22	1.62	7.16	1.63	6.83
	0		-0.4	9.91	1.54	9.30	1.60	9.17	1.63	9.04	1.64	8.94	1.66	8.56	1.71
	5		4.5	12.24	1.56	11.66	1.62	11.39	1.65	11.21	1.67	11.06	1.69	10.61	1.74
	10		9	13.81	1.58	13.25	1.63	12.88	1.67	12.66	1.69	12.48	1.71	11.99	1.77
	17		15	15.53	1.60	14.99	1.65	14.51	1.70	14.25	1.73	14.04	1.75	13.50	1.80
	20		19	16.57	1.61	16.04	1.66	15.50	1.72	15.22	1.75	14.99	1.77	14.42	1.82
	25		23	18.31	1.64	17.77	1.69	17.15	1.75	16.83	1.78	16.57	1.81	15.94	1.86
	30		28	20.07	1.67	19.45	1.73	18.78	1.78	18.44	1.82	18.16	1.85	17.49	1.90
	35		32	21.83	1.71	21.13	1.77	20.41	1.81	20.05	1.86	19.75	1.89	19.04	1.94
	40		36	22.94	1.76	22.30	1.82	21.59	1.87	21.21	1.91	20.91	1.94	20.15	1.99
	45		41	24.33	1.82	23.75	1.88	23.05	1.94	22.67	1.97	22.36	2.00	21.55	2.06
	47		43	24.89	1.84	24.33	1.91	23.64	1.97	23.25	2.00	22.94	2.03	22.11	2.09
	50		46	24.96	1.83	24.46	1.89	23.85	1.94	23.51	1.97	23.23	1.99	22.45	2.05
	55		51	25.08	1.81	24.67	1.86	24.21	1.90	23.93	1.92	23.71	1.94	23.01	1.98
	60		56	25.20	1.79	24.88	1.83	24.57	1.86	24.36	1.88	24.19	1.89	23.57	1.92
	63		59	25.28	1.78	25.00	1.81	24.79	1.84	24.62	1.85	24.48	1.85	23.91	1.88
	68		64	25.35	1.77	25.13	1.79	25.00	1.81	24.88	1.82	24.77	1.82	24.25	1.84
	15 + 18		-4	-4.4	7.94	1.53	7.32	1.59	7.30	1.61	7.22	1.62	7.16	1.63	6.83
		0	-0.4	9.91	1.54	9.30	1.60	9.17	1.63	9.04	1.64	8.94	1.66	8.56	1.71
		5	4.5	12.24	1.56	11.66	1.62	11.39	1.65	11.21	1.67	11.06	1.69	10.61	1.74
		10	9	13.81	1.58	13.25	1.63	12.88	1.67	12.66	1.69	12.48	1.71	11.99	1.77
		17	15	15.53	1.60	14.99	1.65	14.51	1.70	14.25	1.73	14.04	1.75	13.50	1.80
		20	19	16.57	1.61	16.04	1.66	15.50	1.72	15.22	1.75	14.99	1.77	14.42	1.82
		25	23	18.31	1.64	17.77	1.69	17.15	1.75	16.83	1.78	16.57	1.81	15.94	1.86
		30	28	20.07	1.67	19.45	1.73	18.78	1.78	18.44	1.82	18.16	1.85	17.49	1.90
		35	32	21.83	1.71	21.13	1.77	20.41	1.81	20.05	1.86	19.75	1.89	19.04	1.94
		40	36	22.94	1.76	22.30	1.82	21.59	1.87	21.21	1.91	20.91	1.94	20.15	1.99
		45	41	24.33	1.82	23.75	1.88	23.05	1.94	22.67	1.97	22.36	2.00	21.55	2.06
		47	43	24.89	1.84	24.33	1.91	23.64	1.97	23.25	2.00	22.94	2.03	22.11	2.09

TC = Total Capacity (kBtu/h).

PI = Power Input (kW).

Nominal capacity as rated: 0 ft. above sea level with 25 ft. of refrigerant piping.
0 ft. level difference between outdoor and indoor units.

Nominal heating capacity rating obtained with air entering the indoor unit at 70°F dry bulb (DB) and 60°F wet bulb (WB), and outdoor ambient conditions of 47°F dry bulb (DB) and 43°F wet bulb (WB).

Table 198: LMU24CHV Heating Capacity Table — Mixed Indoor Units (continued).

Connected Indoor Units	Combination Capacity Index	Outdoor Air Temp.		Indoor Air Temp. °F DB											
		°F DB	°F WB	61		64		68		70		72		75	
				TC	PI	TC	PI	TC	PI	TC	PI	TC	PI	TC	PI
Two (2) Mixed Indoor Units	9 + 24*	-4	-4.4	7.94	1.53	7.32	1.59	7.30	1.61	7.22	1.62	7.16	1.63	6.83	1.69
		0	-0.4	9.91	1.54	9.30	1.60	9.17	1.63	9.04	1.64	8.94	1.66	8.56	1.71
		5	4.5	12.24	1.56	11.66	1.62	11.39	1.65	11.21	1.67	11.06	1.69	10.61	1.74
		10	9	13.81	1.58	13.25	1.63	12.88	1.67	12.66	1.69	12.48	1.71	11.99	1.77
		17	15	15.53	1.60	14.99	1.65	14.51	1.70	14.25	1.73	14.04	1.75	13.50	1.80
		20	19	16.57	1.61	16.04	1.66	15.50	1.72	15.22	1.75	14.99	1.77	14.42	1.82
		25	23	18.31	1.64	17.77	1.69	17.15	1.75	16.83	1.78	16.57	1.81	15.94	1.86
		30	28	20.07	1.67	19.45	1.73	18.78	1.78	18.44	1.82	18.16	1.85	17.49	1.90
		35	32	21.83	1.71	21.13	1.77	20.41	1.81	20.05	1.86	19.75	1.89	19.04	1.94
		40	36	22.94	1.76	22.30	1.82	21.59	1.87	21.21	1.91	20.91	1.94	20.15	1.99
		45	41	24.33	1.82	23.75	1.88	23.05	1.94	22.67	1.97	22.36	2.00	21.55	2.06
		47	43	24.89	1.84	24.33	1.91	23.64	1.97	23.25	2.00	22.94	2.03	22.11	2.09
		50	46	24.96	1.83	24.46	1.89	23.85	1.94	23.51	1.97	23.23	1.99	22.45	2.05
		55	51	25.08	1.81	24.67	1.86	24.21	1.90	23.93	1.92	23.71	1.94	23.01	1.98
		60	56	25.20	1.79	24.88	1.83	24.57	1.86	24.36	1.88	24.19	1.89	23.57	1.92
63	59	25.28	1.78	25.00	1.81	24.79	1.84	24.62	1.85	24.48	1.85	23.91	1.88		
68	64	25.35	1.77	25.13	1.79	25.00	1.81	24.88	1.82	24.77	1.82	24.25	1.84		
Three (3) Mixed Indoor Units	7 + 7 + 9	-4	-4.4	7.94	1.42	7.32	1.48	7.30	1.50	7.22	1.51	7.16	1.52	6.83	1.57
		0	-0.4	9.91	1.44	9.30	1.49	9.17	1.51	9.04	1.53	8.94	1.54	8.56	1.59
		5	4.5	12.24	1.45	11.66	1.50	11.39	1.54	11.21	1.55	11.06	1.57	10.61	1.62
		10	9	13.81	1.47	13.25	1.52	12.88	1.55	12.66	1.58	12.48	1.59	11.99	1.64
		17	15	15.53	1.48	14.99	1.53	14.51	1.58	14.25	1.61	14.04	1.63	13.50	1.67
		20	19	16.57	1.50	16.04	1.54	15.50	1.60	15.22	1.63	14.99	1.65	14.42	1.70
		25	23	18.31	1.52	17.77	1.57	17.15	1.63	16.83	1.66	16.57	1.69	15.94	1.73
		30	28	20.07	1.56	19.45	1.61	18.78	1.66	18.44	1.69	18.16	1.72	17.49	1.77
		35	32	21.83	1.59	21.13	1.64	20.41	1.69	20.05	1.73	19.75	1.76	19.04	1.80
		40	36	22.94	1.63	22.30	1.69	21.59	1.74	21.21	1.77	20.91	1.80	20.15	1.85
		45	41	24.33	1.69	23.75	1.75	23.05	1.80	22.67	1.84	22.36	1.86	21.55	1.92
		47	43	24.89	1.72	24.33	1.77	23.64	1.83	23.25	1.86	22.94	1.89	22.11	1.94
		50	46	24.96	1.70	24.46	1.76	23.85	1.81	23.51	1.83	23.23	1.86	22.45	1.91
		55	51	25.08	1.69	24.67	1.73	24.21	1.77	23.93	1.79	23.71	1.81	23.01	1.84
		60	56	25.20	1.67	24.88	1.70	24.57	1.73	24.36	1.74	24.19	1.76	23.57	1.78
	63	59	25.28	1.66	25.00	1.68	24.79	1.71	24.62	1.72	24.48	1.73	23.91	1.75	
	68	64	25.35	1.65	25.13	1.67	25.00	1.69	24.88	1.69	24.77	1.70	24.25	1.71	
	7 + 9 + 9	-4	-4.4	7.94	1.42	7.32	1.48	7.30	1.50	7.22	1.51	7.16	1.52	6.83	1.57
		0	-0.4	9.91	1.44	9.30	1.49	9.17	1.51	9.04	1.53	8.94	1.54	8.56	1.59
		5	4.5	12.24	1.45	11.66	1.50	11.39	1.54	11.21	1.55	11.06	1.57	10.61	1.62
		10	9	13.81	1.47	13.25	1.52	12.88	1.55	12.66	1.58	12.48	1.59	11.99	1.64
		17	15	15.53	1.48	14.99	1.53	14.51	1.58	14.25	1.61	14.04	1.63	13.50	1.67
		20	19	16.57	1.50	16.04	1.54	15.50	1.60	15.22	1.63	14.99	1.65	14.42	1.70
		25	23	18.31	1.52	17.77	1.57	17.15	1.63	16.83	1.66	16.57	1.69	15.94	1.73
		30	28	20.07	1.56	19.45	1.61	18.78	1.66	18.44	1.69	18.16	1.72	17.49	1.77
		35	32	21.83	1.59	21.13	1.64	20.41	1.69	20.05	1.73	19.75	1.76	19.04	1.80
		40	36	22.94	1.63	22.30	1.69	21.59	1.74	21.21	1.77	20.91	1.80	20.15	1.85
		45	41	24.33	1.69	23.75	1.75	23.05	1.80	22.67	1.84	22.36	1.86	21.55	1.92
		47	43	24.89	1.72	24.33	1.77	23.64	1.83	23.25	1.86	22.94	1.89	22.11	1.94
		50	46	24.96	1.70	24.46	1.76	23.85	1.81	23.51	1.83	23.23	1.86	22.45	1.91
		55	51	25.08	1.69	24.67	1.73	24.21	1.77	23.93	1.79	23.71	1.81	23.01	1.84
60		56	25.20	1.67	24.88	1.70	24.57	1.73	24.36	1.74	24.19	1.76	23.57	1.78	
63		59	25.28	1.66	25.00	1.68	24.79	1.71	24.62	1.72	24.48	1.73	23.91	1.75	
68	64	25.35	1.65	25.13	1.67	25.00	1.69	24.88	1.69	24.77	1.70	24.25	1.71		

TC = Total Capacity (kBtu/h).

PI = Power Input (kW).

Nominal capacity as rated: 0 ft. above sea level with 25 ft. of refrigerant piping.
0 ft. level difference between outdoor and indoor units.

Nominal heating capacity rating obtained with air entering the indoor unit at 70°F dry bulb (DB) and 60°F wet bulb (WB), and outdoor ambient conditions of 47°F dry bulb (DB) and 43°F wet bulb (WB).

*The indoor unit must be non-ducted type.

PERFORMANCE DATA

Heating Capacity Tables

MULTI F MULTI F MAX

Table 199: LMU24CHV Heating Capacity Table — Mixed Indoor Units (continued).

Connected Indoor Units	Combination Capacity Index	Outdoor Air Temp.		Indoor Air Temp. °F DB											
		°F DB	°F WB	61		64		68		70		72		75	
				TC	PI	TC	PI	TC	PI	TC	PI	TC	PI	TC	PI
Three (3) Mixed Indoor Units	7 + 7 + 12	-4	-4.4	7.94	1.42	7.32	1.48	7.30	1.50	7.22	1.51	7.16	1.52	6.83	1.57
		0	-0.4	9.91	1.44	9.30	1.49	9.17	1.51	9.04	1.53	8.94	1.54	8.56	1.59
		5	4.5	12.24	1.45	11.66	1.50	11.39	1.54	11.21	1.55	11.06	1.57	10.61	1.62
		10	9	13.81	1.47	13.25	1.52	12.88	1.55	12.66	1.58	12.48	1.59	11.99	1.64
		17	15	15.53	1.48	14.99	1.53	14.51	1.58	14.25	1.61	14.04	1.63	13.50	1.67
		20	19	16.57	1.50	16.04	1.54	15.50	1.60	15.22	1.63	14.99	1.65	14.42	1.70
		25	23	18.31	1.52	17.77	1.57	17.15	1.63	16.83	1.66	16.57	1.69	15.94	1.73
		30	28	20.07	1.56	19.45	1.61	18.78	1.66	18.44	1.69	18.16	1.72	17.49	1.77
		35	32	21.83	1.59	21.13	1.64	20.41	1.69	20.05	1.73	19.75	1.76	19.04	1.80
		40	36	22.94	1.63	22.30	1.69	21.59	1.74	21.21	1.77	20.91	1.80	20.15	1.85
		45	41	24.33	1.69	23.75	1.75	23.05	1.80	22.67	1.84	22.36	1.86	21.55	1.92
		47	43	24.89	1.72	24.33	1.77	23.64	1.83	23.25	1.86	22.94	1.89	22.11	1.94
		50	46	24.96	1.70	24.46	1.76	23.85	1.81	23.51	1.83	23.23	1.86	22.45	1.91
		55	51	25.08	1.69	24.67	1.73	24.21	1.77	23.93	1.79	23.71	1.81	23.01	1.84
		60	56	25.20	1.67	24.88	1.70	24.57	1.73	24.36	1.74	24.19	1.76	23.57	1.78
		63	59	25.28	1.66	25.00	1.68	24.79	1.71	24.62	1.72	24.48	1.73	23.91	1.75
		68	64	25.35	1.65	25.13	1.67	25.00	1.69	24.88	1.69	24.77	1.70	24.25	1.71
		9 + 9 + 9	-4	-4.4	7.94	1.42	7.32	1.48	7.30	1.50	7.22	1.51	7.16	1.52	6.83
	0		-0.4	9.91	1.44	9.30	1.49	9.17	1.51	9.04	1.53	8.94	1.54	8.56	1.59
	5		4.5	12.24	1.45	11.66	1.50	11.39	1.54	11.21	1.55	11.06	1.57	10.61	1.62
	10		9	13.81	1.47	13.25	1.52	12.88	1.55	12.66	1.58	12.48	1.59	11.99	1.64
	17		15	15.53	1.48	14.99	1.53	14.51	1.58	14.25	1.61	14.04	1.63	13.50	1.67
	20		19	16.57	1.50	16.04	1.54	15.50	1.60	15.22	1.63	14.99	1.65	14.42	1.70
	25		23	18.31	1.52	17.77	1.57	17.15	1.63	16.83	1.66	16.57	1.69	15.94	1.73
	30		28	20.07	1.56	19.45	1.61	18.78	1.66	18.44	1.69	18.16	1.72	17.49	1.77
	35		32	21.83	1.59	21.13	1.64	20.41	1.69	20.05	1.73	19.75	1.76	19.04	1.80
	40		36	22.94	1.63	22.30	1.69	21.59	1.74	21.21	1.77	20.91	1.80	20.15	1.85
	45		41	24.33	1.69	23.75	1.75	23.05	1.80	22.67	1.84	22.36	1.86	21.55	1.92
	47		43	24.89	1.72	24.33	1.77	23.64	1.83	23.25	1.86	22.94	1.89	22.11	1.94
	50		46	24.96	1.70	24.46	1.76	23.85	1.81	23.51	1.83	23.23	1.86	22.45	1.91
	55		51	25.08	1.69	24.67	1.73	24.21	1.77	23.93	1.79	23.71	1.81	23.01	1.84
	60		56	25.20	1.67	24.88	1.70	24.57	1.73	24.36	1.74	24.19	1.76	23.57	1.78
	63		59	25.28	1.66	25.00	1.68	24.79	1.71	24.62	1.72	24.48	1.73	23.91	1.75
	68		64	25.35	1.65	25.13	1.67	25.00	1.69	24.88	1.69	24.77	1.70	24.25	1.71
	7 + 9 + 12		-4	-4.4	7.94	1.42	7.32	1.48	7.30	1.50	7.22	1.51	7.16	1.52	6.83
		0	-0.4	9.91	1.44	9.30	1.49	9.17	1.51	9.04	1.53	8.94	1.54	8.56	1.59
		5	4.5	12.24	1.45	11.66	1.50	11.39	1.54	11.21	1.55	11.06	1.57	10.61	1.62
		10	9	13.81	1.47	13.25	1.52	12.88	1.55	12.66	1.58	12.48	1.59	11.99	1.64
		17	15	15.53	1.48	14.99	1.53	14.51	1.58	14.25	1.61	14.04	1.63	13.50	1.67
		20	19	16.57	1.50	16.04	1.54	15.50	1.60	15.22	1.63	14.99	1.65	14.42	1.70
		25	23	18.31	1.52	17.77	1.57	17.15	1.63	16.83	1.66	16.57	1.69	15.94	1.73
		30	28	20.07	1.56	19.45	1.61	18.78	1.66	18.44	1.69	18.16	1.72	17.49	1.77
		35	32	21.83	1.59	21.13	1.64	20.41	1.69	20.05	1.73	19.75	1.76	19.04	1.80
		40	36	22.94	1.63	22.30	1.69	21.59	1.74	21.21	1.77	20.91	1.80	20.15	1.85
		45	41	24.33	1.69	23.75	1.75	23.05	1.80	22.67	1.84	22.36	1.86	21.55	1.92
		47	43	24.89	1.72	24.33	1.77	23.64	1.83	23.25	1.86	22.94	1.89	22.11	1.94
		50	46	24.96	1.70	24.46	1.76	23.85	1.81	23.51	1.83	23.23	1.86	22.45	1.91
		55	51	25.08	1.69	24.67	1.73	24.21	1.77	23.93	1.79	23.71	1.81	23.01	1.84
60		56	25.20	1.67	24.88	1.70	24.57	1.73	24.36	1.74	24.19	1.76	23.57	1.78	
63		59	25.28	1.66	25.00	1.68	24.79	1.71	24.62	1.72	24.48	1.73	23.91	1.75	
68		64	25.35	1.65	25.13	1.67	25.00	1.69	24.88	1.69	24.77	1.70	24.25	1.71	

TC = Total Capacity (kBtu/h).

PI = Power Input (kW).

Nominal capacity as rated: 0 ft. above sea level with 25 ft. of refrigerant piping.
0 ft. level difference between outdoor and indoor units.

Nominal heating capacity rating obtained with air entering the indoor unit at 70°F dry bulb (DB) and 60°F wet bulb (WB), and outdoor ambient conditions of 47°F dry bulb (DB) and 43°F wet bulb (WB).

Multi F and Multi F MAX Heat Pump System Engineering Manual

Table 200: LMU24CHV Heating Capacity Table — Mixed Indoor Units (continued).

Connected Indoor Units	Combination Capacity Index	Outdoor Air Temp.		Indoor Air Temp. °F DB											
		°F DB	°F WB	61		64		68		70		72		75	
				TC	PI	TC	PI	TC	PI	TC	PI	TC	PI	TC	PI
Three (3) Mixed Indoor Units	9 + 9 + 12	-4	-4.4	7.94	1.42	7.32	1.48	7.30	1.50	7.22	1.51	7.16	1.52	6.83	1.57
		0	-0.4	9.91	1.44	9.30	1.49	9.17	1.51	9.04	1.53	8.94	1.54	8.56	1.59
		5	4.5	12.24	1.45	11.66	1.50	11.39	1.54	11.21	1.55	11.06	1.57	10.61	1.62
		10	9	13.81	1.47	13.25	1.52	12.88	1.55	12.66	1.58	12.48	1.59	11.99	1.64
		17	15	15.53	1.48	14.99	1.53	14.51	1.58	14.25	1.61	14.04	1.63	13.50	1.67
		20	19	16.57	1.50	16.04	1.54	15.50	1.60	15.22	1.63	14.99	1.65	14.42	1.70
		25	23	18.31	1.52	17.77	1.57	17.15	1.63	16.83	1.66	16.57	1.69	15.94	1.73
		30	28	20.07	1.56	19.45	1.61	18.78	1.66	18.44	1.69	18.16	1.72	17.49	1.77
		35	32	21.83	1.59	21.13	1.64	20.41	1.69	20.05	1.73	19.75	1.76	19.04	1.80
		40	36	22.94	1.63	22.30	1.69	21.59	1.74	21.21	1.77	20.91	1.80	20.15	1.85
		45	41	24.33	1.69	23.75	1.75	23.05	1.80	22.67	1.84	22.36	1.86	21.55	1.92
		47	43	24.89	1.72	24.33	1.77	23.64	1.83	23.25	1.86	22.94	1.89	22.11	1.94
		50	46	24.96	1.70	24.46	1.76	23.85	1.81	23.51	1.83	23.23	1.86	22.45	1.91
		55	51	25.08	1.69	24.67	1.73	24.21	1.77	23.93	1.79	23.71	1.81	23.01	1.84
		60	56	25.20	1.67	24.88	1.70	24.57	1.73	24.36	1.74	24.19	1.76	23.57	1.78
		63	59	25.28	1.66	25.00	1.68	24.79	1.71	24.62	1.72	24.48	1.73	23.91	1.75
		68	64	25.35	1.65	25.13	1.67	25.00	1.69	24.88	1.69	24.77	1.70	24.25	1.71
		7 + 9 + 15	-4	-4.4	7.94	1.42	7.32	1.48	7.30	1.50	7.22	1.51	7.16	1.52	6.83
	0		-0.4	9.91	1.44	9.30	1.49	9.17	1.51	9.04	1.53	8.94	1.54	8.56	1.59
	5		4.5	12.24	1.45	11.66	1.50	11.39	1.54	11.21	1.55	11.06	1.57	10.61	1.62
	10		9	13.81	1.47	13.25	1.52	12.88	1.55	12.66	1.58	12.48	1.59	11.99	1.64
	17		15	15.53	1.48	14.99	1.53	14.51	1.58	14.25	1.61	14.04	1.63	13.50	1.67
	20		19	16.57	1.50	16.04	1.54	15.50	1.60	15.22	1.63	14.99	1.65	14.42	1.70
	25		23	18.31	1.52	17.77	1.57	17.15	1.63	16.83	1.66	16.57	1.69	15.94	1.73
	30		28	20.07	1.56	19.45	1.61	18.78	1.66	18.44	1.69	18.16	1.72	17.49	1.77
	35		32	21.83	1.59	21.13	1.64	20.41	1.69	20.05	1.73	19.75	1.76	19.04	1.80
	40		36	22.94	1.63	22.30	1.69	21.59	1.74	21.21	1.77	20.91	1.80	20.15	1.85
	45		41	24.33	1.69	23.75	1.75	23.05	1.80	22.67	1.84	22.36	1.86	21.55	1.92
	47		43	24.89	1.72	24.33	1.77	23.64	1.83	23.25	1.86	22.94	1.89	22.11	1.94
	50		46	24.96	1.70	24.46	1.76	23.85	1.81	23.51	1.83	23.23	1.86	22.45	1.91
	55		51	25.08	1.69	24.67	1.73	24.21	1.77	23.93	1.79	23.71	1.81	23.01	1.84
	60		56	25.20	1.67	24.88	1.70	24.57	1.73	24.36	1.74	24.19	1.76	23.57	1.78
	63		59	25.28	1.66	25.00	1.68	24.79	1.71	24.62	1.72	24.48	1.73	23.91	1.75
	68		64	25.35	1.65	25.13	1.67	25.00	1.69	24.88	1.69	24.77	1.70	24.25	1.71
	7 + 12 + 12		-4	-4.4	7.94	1.42	7.32	1.48	7.30	1.50	7.22	1.51	7.16	1.52	6.83
		0	-0.4	9.91	1.44	9.30	1.49	9.17	1.51	9.04	1.53	8.94	1.54	8.56	1.59
		5	4.5	12.24	1.45	11.66	1.50	11.39	1.54	11.21	1.55	11.06	1.57	10.61	1.62
		10	9	13.81	1.47	13.25	1.52	12.88	1.55	12.66	1.58	12.48	1.59	11.99	1.64
		17	15	15.53	1.48	14.99	1.53	14.51	1.58	14.25	1.61	14.04	1.63	13.50	1.67
		20	19	16.57	1.50	16.04	1.54	15.50	1.60	15.22	1.63	14.99	1.65	14.42	1.70
		25	23	18.31	1.52	17.77	1.57	17.15	1.63	16.83	1.66	16.57	1.69	15.94	1.73
		30	28	20.07	1.56	19.45	1.61	18.78	1.66	18.44	1.69	18.16	1.72	17.49	1.77
		35	32	21.83	1.59	21.13	1.64	20.41	1.69	20.05	1.73	19.75	1.76	19.04	1.80
		40	36	22.94	1.63	22.30	1.69	21.59	1.74	21.21	1.77	20.91	1.80	20.15	1.85
		45	41	24.33	1.69	23.75	1.75	23.05	1.80	22.67	1.84	22.36	1.86	21.55	1.92
		47	43	24.89	1.72	24.33	1.77	23.64	1.83	23.25	1.86	22.94	1.89	22.11	1.94
		50	46	24.96	1.70	24.46	1.76	23.85	1.81	23.51	1.83	23.23	1.86	22.45	1.91
		55	51	25.08	1.69	24.67	1.73	24.21	1.77	23.93	1.79	23.71	1.81	23.01	1.84
		60	56	25.20	1.67	24.88	1.70	24.57	1.73	24.36	1.74	24.19	1.76	23.57	1.78
		63	59	25.28	1.66	25.00	1.68	24.79	1.71	24.62	1.72	24.48	1.73	23.91	1.75
		68	64	25.35	1.65	25.13	1.67	25.00	1.69	24.88	1.69	24.77	1.70	24.25	1.71

TC = Total Capacity (kBtu/h).

PI = Power Input (kW).

Nominal capacity as rated: 0 ft. above sea level with 25 ft. of refrigerant piping.
0 ft. level difference between outdoor and indoor units.

Nominal heating capacity rating obtained with air entering the indoor unit at 70°F dry bulb (DB) and 60°F wet bulb (WB), and outdoor ambient conditions of 47°F dry bulb (DB) and 43°F wet bulb (WB).

PERFORMANCE DATA

Heating Capacity Tables

MULTI F MULTI F MAX

Table 201: LMU24CHV Heating Capacity Table — Mixed Indoor Units (continued).

Connected Indoor Units	Combination Capacity Index	Outdoor Air Temp.		Indoor Air Temp. °F DB												
		°F DB	°F WB	61		64		68		70		72		75		
				TC	PI	TC	PI	TC	PI	TC	PI	TC	PI	TC	PI	
Three (3) Mixed Indoor Units	7 + 7 + 18	-4	-4.4	7.94	1.42	7.32	1.48	7.30	1.50	7.22	1.51	7.16	1.52	6.83	1.57	
		0	-0.4	9.91	1.44	9.30	1.49	9.17	1.51	9.04	1.53	8.94	1.54	8.56	1.59	
		5	4.5	12.24	1.45	11.66	1.50	11.39	1.54	11.21	1.55	11.06	1.57	10.61	1.62	
		10	9	13.81	1.47	13.25	1.52	12.88	1.55	12.66	1.58	12.48	1.59	11.99	1.64	
		17	15	15.53	1.48	14.99	1.53	14.51	1.58	14.25	1.61	14.04	1.63	13.50	1.67	
		20	19	16.57	1.50	16.04	1.54	15.50	1.60	15.22	1.63	14.99	1.65	14.42	1.70	
		25	23	18.31	1.52	17.77	1.57	17.15	1.63	16.83	1.66	16.57	1.69	15.94	1.73	
		30	28	20.07	1.56	19.45	1.61	18.78	1.66	18.44	1.69	18.16	1.72	17.49	1.77	
		35	32	21.83	1.59	21.13	1.64	20.41	1.69	20.05	1.73	19.75	1.76	19.04	1.80	
		40	36	22.94	1.63	22.30	1.69	21.59	1.74	21.21	1.77	20.91	1.80	20.15	1.85	
		45	41	24.33	1.69	23.75	1.75	23.05	1.80	22.67	1.84	22.36	1.86	21.55	1.92	
		47	43	24.89	1.72	24.33	1.77	23.64	1.83	23.25	1.86	22.94	1.89	22.11	1.94	
		50	46	24.96	1.70	24.46	1.76	23.85	1.81	23.51	1.83	23.23	1.86	22.45	1.91	
		55	51	25.08	1.69	24.67	1.73	24.21	1.77	23.93	1.79	23.71	1.81	23.01	1.84	
		60	56	25.20	1.67	24.88	1.70	24.57	1.73	24.36	1.74	24.19	1.76	23.57	1.78	
		63	59	25.28	1.66	25.00	1.68	24.79	1.71	24.62	1.72	24.48	1.73	23.91	1.75	
		68	64	25.35	1.65	25.13	1.67	25.00	1.69	24.88	1.69	24.77	1.70	24.25	1.71	
		9 + 9 + 15	9 + 9 + 15	-4	-4.4	7.94	1.42	7.32	1.48	7.30	1.50	7.22	1.51	7.16	1.52	6.83
	0	-0.4		9.91	1.44	9.30	1.49	9.17	1.51	9.04	1.53	8.94	1.54	8.56	1.59	
	5	4.5		12.24	1.45	11.66	1.50	11.39	1.54	11.21	1.55	11.06	1.57	10.61	1.62	
	10	9		13.81	1.47	13.25	1.52	12.88	1.55	12.66	1.58	12.48	1.59	11.99	1.64	
	17	15		15.53	1.48	14.99	1.53	14.51	1.58	14.25	1.61	14.04	1.63	13.50	1.67	
	20	19		16.57	1.50	16.04	1.54	15.50	1.60	15.22	1.63	14.99	1.65	14.42	1.70	
	25	23		18.31	1.52	17.77	1.57	17.15	1.63	16.83	1.66	16.57	1.69	15.94	1.73	
	30	28		20.07	1.56	19.45	1.61	18.78	1.66	18.44	1.69	18.16	1.72	17.49	1.77	
	35	32		21.83	1.59	21.13	1.64	20.41	1.69	20.05	1.73	19.75	1.76	19.04	1.80	
	40	36		22.94	1.63	22.30	1.69	21.59	1.74	21.21	1.77	20.91	1.80	20.15	1.85	
	45	41		24.33	1.69	23.75	1.75	23.05	1.80	22.67	1.84	22.36	1.86	21.55	1.92	
	47	43		24.89	1.72	24.33	1.77	23.64	1.83	23.25	1.86	22.94	1.89	22.11	1.94	
	50	46		24.96	1.70	24.46	1.76	23.85	1.81	23.51	1.83	23.23	1.86	22.45	1.91	
	55	51		25.08	1.69	24.67	1.73	24.21	1.77	23.93	1.79	23.71	1.81	23.01	1.84	
	60	56		25.20	1.67	24.88	1.70	24.57	1.73	24.36	1.74	24.19	1.76	23.57	1.78	
	63	59		25.28	1.66	25.00	1.68	24.79	1.71	24.62	1.72	24.48	1.73	23.91	1.75	
	68	64		25.35	1.65	25.13	1.67	25.00	1.69	24.88	1.69	24.77	1.70	24.25	1.71	
	9 + 12 + 12	9 + 12 + 12		-4	-4.4	7.94	1.42	7.32	1.48	7.30	1.50	7.22	1.51	7.16	1.52	6.83
	0		-0.4	9.91	1.44	9.30	1.49	9.17	1.51	9.04	1.53	8.94	1.54	8.56	1.59	
	5		4.5	12.24	1.45	11.66	1.50	11.39	1.54	11.21	1.55	11.06	1.57	10.61	1.62	
	10		9	13.81	1.47	13.25	1.52	12.88	1.55	12.66	1.58	12.48	1.59	11.99	1.64	
	17		15	15.53	1.48	14.99	1.53	14.51	1.58	14.25	1.61	14.04	1.63	13.50	1.67	
	20		19	16.57	1.50	16.04	1.54	15.50	1.60	15.22	1.63	14.99	1.65	14.42	1.70	
	25		23	18.31	1.52	17.77	1.57	17.15	1.63	16.83	1.66	16.57	1.69	15.94	1.73	
	30		28	20.07	1.56	19.45	1.61	18.78	1.66	18.44	1.69	18.16	1.72	17.49	1.77	
	35		32	21.83	1.59	21.13	1.64	20.41	1.69	20.05	1.73	19.75	1.76	19.04	1.80	
	40		36	22.94	1.63	22.30	1.69	21.59	1.74	21.21	1.77	20.91	1.80	20.15	1.85	
	45		41	24.33	1.69	23.75	1.75	23.05	1.80	22.67	1.84	22.36	1.86	21.55	1.92	
	47		43	24.89	1.72	24.33	1.77	23.64	1.83	23.25	1.86	22.94	1.89	22.11	1.94	
	50		46	24.96	1.70	24.46	1.76	23.85	1.81	23.51	1.83	23.23	1.86	22.45	1.91	
	55		51	25.08	1.69	24.67	1.73	24.21	1.77	23.93	1.79	23.71	1.81	23.01	1.84	
60	56		25.20	1.67	24.88	1.70	24.57	1.73	24.36	1.74	24.19	1.76	23.57	1.78		
63	59		25.28	1.66	25.00	1.68	24.79	1.71	24.62	1.72	24.48	1.73	23.91	1.75		
68	64		25.35	1.65	25.13	1.67	25.00	1.69	24.88	1.69	24.77	1.70	24.25	1.71		

TC = Total Capacity (kBtu/h).

PI = Power Input (kW).

Nominal capacity as rated: 0 ft. above sea level with 25 ft. of refrigerant piping.
0 ft. level difference between outdoor and indoor units.

Nominal heating capacity rating obtained with air entering the indoor unit at 70°F dry bulb (DB) and 60°F wet bulb (WB), and outdoor ambient conditions of 47°F dry bulb (DB) and 43°F wet bulb (WB).

Table 202: LMU36CHV Heating Capacity Table — Non-Ducted Indoor Units.

Connected Indoor Units	Combination Capacity Index	Outdoor Air Temp.		Indoor Air Temp. °F DB												
		°F DB	°F WB	61		64		68		70		72		75		
				TC	PI	TC	PI	TC	PI	TC	PI	TC	PI	TC	PI	
Two (2) Non-Ducted Indoor Units	7 + 7	-4	-4.4	3.13	1.11	2.99	1.15	2.85	1.17	2.83	1.17	2.81	1.18	2.67	1.22	
		0	-0.4	4.73	1.13	4.41	1.17	4.37	1.19	4.31	1.20	4.27	1.21	4.08	1.25	
		5	4.5	6.64	1.16	6.32	1.20	6.17	1.22	6.08	1.24	6.00	1.25	5.75	1.29	
		10	9	7.92	1.18	7.59	1.22	7.38	1.25	7.26	1.27	7.16	1.29	6.87	1.33	
		17	15	9.32	1.22	9.00	1.26	8.71	1.29	8.56	1.32	8.43	1.33	8.11	1.37	
		20	19	10.17	1.24	9.85	1.28	9.52	1.32	9.34	1.35	9.20	1.37	8.85	1.40	
		25	23	11.60	1.28	11.25	1.32	10.86	1.37	10.65	1.40	10.49	1.42	10.10	1.45	
		30	28	13.03	1.33	12.62	1.37	12.19	1.41	11.97	1.44	11.79	1.47	11.35	1.51	
		35	32	14.46	1.37	14.00	1.42	13.52	1.46	13.28	1.49	13.08	1.52	12.61	1.56	
		40	36	15.20	1.41	14.77	1.46	14.30	1.50	14.05	1.54	13.85	1.56	13.35	1.60	
		45	41	16.12	1.46	15.73	1.51	15.27	1.56	15.01	1.59	14.81	1.61	14.27	1.66	
		47	43	16.48	1.48	16.12	1.53	15.66	1.58	15.40	1.61	15.20	1.63	14.64	1.68	
		50	46	16.53	1.48	16.20	1.52	15.80	1.56	15.57	1.59	15.39	1.61	14.87	1.65	
		55	51	16.61	1.46	16.34	1.50	16.04	1.53	15.85	1.55	15.71	1.56	15.24	1.60	
		60	56	16.69	1.44	16.48	1.47	16.27	1.50	16.14	1.51	16.02	1.52	15.61	1.54	
		63	59	16.74	1.43	16.56	1.46	16.42	1.48	16.30	1.49	16.22	1.49	15.84	1.51	
	68	64	16.79	1.43	16.64	1.44	16.56	1.46	16.48	1.46	16.41	1.47	16.07	1.48		
	7 + 9	7 + 9	-4	-4.4	3.58	1.22	3.42	1.27	3.25	1.29	3.23	1.30	3.22	1.30	3.06	1.35
	0		-0.4	5.41	1.25	5.04	1.30	4.99	1.32	4.93	1.33	4.88	1.34	4.66	1.39	
	5		4.5	7.59	1.28	7.22	1.33	7.06	1.35	6.94	1.37	6.85	1.38	6.58	1.43	
	10		9	9.05	1.31	8.68	1.35	8.44	1.39	8.29	1.41	8.18	1.42	7.86	1.47	
	17		15	10.65	1.35	10.28	1.39	9.96	1.43	9.78	1.46	9.63	1.47	9.26	1.52	
	20		19	11.63	1.37	11.25	1.41	10.88	1.46	10.68	1.49	10.52	1.51	10.12	1.55	
	25		23	13.25	1.42	12.86	1.46	12.41	1.51	12.18	1.54	11.99	1.57	11.54	1.61	
	30		28	14.89	1.47	14.43	1.52	13.93	1.56	13.68	1.60	13.47	1.62	12.98	1.67	
	35		32	16.52	1.52	16.00	1.57	15.45	1.61	15.18	1.65	14.95	1.68	14.41	1.72	
	40		36	17.37	1.56	16.88	1.62	16.34	1.66	16.06	1.70	15.83	1.73	15.26	1.77	
	45		41	18.42	1.62	17.98	1.67	17.45	1.73	17.16	1.76	16.93	1.78	16.31	1.83	
	47		43	18.84	1.64	18.42	1.70	17.89	1.75	17.60	1.78	17.37	1.80	16.73	1.86	
	50		46	18.89	1.63	18.51	1.68	18.06	1.73	17.79	1.75	17.58	1.78	16.99	1.82	
	55		51	18.99	1.61	18.67	1.65	18.33	1.69	18.12	1.71	17.95	1.73	17.42	1.76	
	60		56	19.08	1.60	18.83	1.63	18.60	1.66	18.44	1.67	18.31	1.68	17.84	1.71	
	63		59	19.13	1.59	18.93	1.61	18.76	1.64	18.63	1.64	18.53	1.65	18.10	1.67	
	68	64	19.19	1.58	19.02	1.60	18.93	1.61	18.83	1.62	18.75	1.62	18.36	1.64		
	9 + 9	9 + 9	-4	-4.4	4.02	1.36	3.84	1.41	3.66	1.43	3.64	1.43	3.62	1.44	3.44	1.50
	0		-0.4	6.09	1.38	5.67	1.44	5.62	1.46	5.55	1.47	5.49	1.48	5.25	1.53	
	5		4.5	8.54	1.42	8.12	1.47	7.94	1.50	7.81	1.52	7.71	1.53	7.40	1.58	
	10		9	10.18	1.45	9.76	1.50	9.49	1.54	9.33	1.56	9.20	1.57	8.84	1.62	
	17		15	11.98	1.49	11.57	1.54	11.20	1.58	11.00	1.61	10.84	1.63	10.42	1.68	
	20		19	13.08	1.52	12.66	1.56	12.24	1.62	12.01	1.65	11.83	1.67	11.38	1.72	
	25		23	14.91	1.57	14.47	1.61	13.96	1.67	13.70	1.71	13.49	1.73	12.98	1.78	
	30		28	16.75	1.62	16.23	1.68	15.67	1.73	15.39	1.77	15.16	1.80	14.60	1.84	
	35		32	18.59	1.68	18.00	1.74	17.38	1.79	17.07	1.83	16.82	1.86	16.21	1.91	
	40		36	19.54	1.73	18.99	1.79	18.38	1.84	18.06	1.88	17.81	1.91	17.16	1.96	
	45		41	20.72	1.79	20.23	1.85	19.63	1.91	19.30	1.94	19.04	1.97	18.35	2.03	
	47		43	21.19	1.82	20.72	1.88	20.13	1.94	19.80	1.97	19.54	2.00	18.83	2.06	
	50		46	21.26	1.81	20.83	1.86	20.31	1.91	20.02	1.94	19.78	1.96	19.11	2.02	
	55		51	21.36	1.79	21.01	1.83	20.62	1.87	20.38	1.89	20.19	1.91	19.59	1.95	
60	56		21.46	1.77	21.18	1.80	20.92	1.83	20.75	1.85	20.60	1.86	20.08	1.89		
63	59		21.53	1.76	21.29	1.78	21.11	1.81	20.96	1.82	20.85	1.83	20.36	1.85		
68	64	21.59	1.74	21.40	1.77	21.29	1.79	21.18	1.79	21.10	1.80	20.66	1.81			

TC = Total Capacity (kBtu/h).

PI = Power Input (kW).

Nominal capacity as rated: 0 ft. above sea level with 25 ft. of refrigerant piping.
0 ft. level difference between outdoor and indoor units.

Nominal heating capacity rating obtained with air entering the indoor unit at 70°F dry bulb (DB) and 60°F wet bulb (WB), and outdoor ambient conditions of 47°F dry bulb (DB) and 43°F wet bulb (WB).

Multi F Outdoor Unit Data

PERFORMANCE DATA

Heating Capacity Tables

MULTI F
MULTI F MAX

Table 203: LMU36CHV Heating Capacity Table — Non-Ducted Indoor Units (continued).

Connected Indoor Units	Combination Capacity Index	Outdoor Air Temp.		Indoor Air Temp. °F DB											
		°F DB	°F WB	61		64		68		70		72		75	
				TC	PI	TC	PI	TC	PI	TC	PI	TC	PI	TC	PI
Two (2) Non-Ducted Indoor Units	7 + 12	-4	-4.4	4.25	1.41	4.06	1.47	3.86	1.48	3.84	1.49	3.82	1.50	3.63	1.56
		0	-0.4	6.42	1.44	5.98	1.49	5.93	1.52	5.85	1.53	5.79	1.54	5.54	1.60
		5	4.5	9.01	1.47	8.57	1.53	8.38	1.56	8.25	1.58	8.14	1.59	7.81	1.64
		10	9	10.74	1.51	10.30	1.56	10.02	1.60	9.85	1.62	9.71	1.64	9.33	1.69
		17	15	12.65	1.55	12.21	1.60	11.83	1.65	11.61	1.68	11.44	1.70	11.00	1.75
		20	19	13.81	1.58	13.37	1.63	12.92	1.68	12.68	1.71	12.49	1.74	12.01	1.79
		25	23	15.74	1.63	15.27	1.68	14.74	1.74	14.46	1.78	14.24	1.80	13.70	1.85
		30	28	17.68	1.69	17.13	1.75	16.54	1.80	16.24	1.84	16.00	1.87	15.41	1.92
		35	32	19.62	1.75	19.00	1.81	18.35	1.86	18.02	1.90	17.76	1.94	17.12	1.98
		40	36	20.62	1.80	20.04	1.86	19.40	1.92	19.07	1.96	18.80	1.99	18.12	2.04
		45	41	21.87	1.86	21.35	1.93	20.72	1.99	20.38	2.02	20.10	2.05	19.37	2.11
		47	43	22.37	1.89	21.87	1.95	21.25	2.02	20.90	2.05	20.62	2.08	19.87	2.14
		50	46	22.44	1.88	21.99	1.93	21.44	1.99	21.13	2.02	20.88	2.04	20.18	2.10
		55	51	22.55	1.86	22.17	1.90	21.76	1.95	21.51	1.97	21.31	1.99	20.68	2.03
		60	56	22.66	1.84	22.36	1.87	22.09	1.91	21.90	1.92	21.75	1.93	21.19	1.96
		63	59	22.72	1.83	22.47	1.86	22.28	1.88	22.13	1.89	22.01	1.90	21.49	1.92
		68	64	22.79	1.81	22.59	1.84	22.48	1.86	22.36	1.86	22.27	1.87	21.80	1.88
		0	-4.4	4.69	1.53	4.48	1.59	4.27	1.61	4.24	1.62	4.22	1.62	4.01	1.69
	5	4.5	9.96	1.60	9.47	1.65	9.26	1.69	9.11	1.71	9.00	1.72	8.63	1.78	
	10	9	11.87	1.63	11.39	1.69	11.07	1.73	10.89	1.75	10.73	1.77	10.31	1.83	
	17	15	13.98	1.68	13.50	1.73	13.07	1.79	12.83	1.81	12.64	1.84	12.16	1.89	
	20	19	15.26	1.71	14.77	1.76	14.28	1.82	14.01	1.86	13.80	1.88	13.28	1.93	
	25	23	17.39	1.77	16.88	1.82	16.29	1.89	15.98	1.92	15.74	1.95	15.14	2.01	
	30	28	19.54	1.83	18.94	1.89	18.29	1.95	17.95	1.99	17.68	2.03	17.03	2.08	
	35	32	21.69	1.89	21.00	1.96	20.28	2.01	19.92	2.06	19.63	2.10	18.92	2.15	
	40	36	22.79	1.95	22.15	2.02	21.45	2.07	21.07	2.12	20.78	2.15	20.02	2.21	
	45	41	24.17	2.02	23.60	2.09	22.90	2.15	22.52	2.19	22.22	2.22	21.41	2.29	
	47	43	24.73	2.05	24.17	2.11	23.48	2.18	23.10	2.22	22.79	2.25	21.96	2.32	
	50	46	24.80	2.03	24.30	2.10	23.70	2.16	23.35	2.19	23.08	2.21	22.30	2.27	
	55	51	24.92	2.01	24.51	2.06	24.05	2.11	23.78	2.14	23.56	2.15	22.86	2.20	
	60	56	25.04	1.99	24.72	2.03	24.41	2.07	24.20	2.08	24.04	2.09	23.42	2.13	
	63	59	25.11	1.98	24.84	2.01	24.63	2.04	24.46	2.05	24.32	2.06	23.76	2.08	
	68	64	25.19	1.97	24.97	1.99	24.84	2.01	24.71	2.02	24.61	2.02	24.10	2.04	
	-4	-4.4	4.92	1.58	4.70	1.64	4.48	1.66	4.45	1.67	4.42	1.68	4.20	1.74	
	0	-0.4	7.44	1.61	6.93	1.67	6.86	1.70	6.78	1.71	6.71	1.72	6.41	1.78	
	5	4.5	10.43	1.65	9.92	1.71	9.70	1.74	9.55	1.76	9.43	1.78	9.04	1.84	
	10	9	12.44	1.68	11.93	1.74	11.60	1.78	11.40	1.81	11.24	1.83	10.80	1.89	
	17	15	14.65	1.73	14.14	1.79	13.69	1.84	13.44	1.87	13.25	1.90	12.74	1.95	
	20	19	15.98	1.76	15.48	1.82	14.96	1.88	14.68	1.91	14.46	1.94	13.91	2.00	
	25	23	18.22	1.82	17.68	1.87	17.07	1.95	16.74	1.98	16.48	2.02	15.86	2.07	
	30	28	20.47	1.89	19.84	1.95	19.16	2.01	18.80	2.05	18.52	2.09	17.84	2.14	
	35	32	22.72	1.95	22.00	2.02	21.25	2.08	20.87	2.13	20.56	2.16	19.82	2.22	
	40	36	23.88	2.01	23.21	2.08	22.47	2.14	22.08	2.19	21.77	2.22	20.98	2.28	
	45	41	25.33	2.08	24.72	2.15	23.99	2.22	23.59	2.26	23.28	2.29	22.43	2.36	
	47	43	25.90	2.11	25.33	2.18	24.60	2.25	24.20	2.29	23.88	2.32	23.01	2.39	
	50	46	25.98	2.10	25.46	2.16	24.83	2.22	24.47	2.26	24.18	2.28	23.36	2.35	
	55	51	26.11	2.08	25.67	2.13	25.20	2.18	24.91	2.20	24.68	2.22	23.95	2.27	
	60	56	26.23	2.05	25.89	2.09	25.57	2.13	25.36	2.15	25.18	2.16	24.54	2.19	
	63	59	26.31	2.04	26.02	2.07	25.80	2.10	25.62	2.12	25.48	2.12	24.89	2.15	
	68	64	26.39	2.03	26.15	2.05	26.02	2.08	25.89	2.08	25.78	2.09	25.25	2.10	

TC = Total Capacity (kBtu/h).
PI = Power Input (kW).

Nominal heating capacity rating obtained with air entering the indoor unit at 70°F dry bulb (DB) and 60°F wet bulb (WB), and outdoor ambient conditions of 47°F dry bulb (DB) and 43°F wet bulb (WB).

Nominal capacity as rated: 0 ft. above sea level with 25 ft. of refrigerant piping.
0 ft. level difference between outdoor and indoor units.



Multi F and Multi F MAX Heat Pump System Engineering Manual

Table 204: LMU36CHV Heating Capacity Table — Non-Ducted Indoor Units (continued).

Connected Indoor Units	Combination Capacity Index	Outdoor Air Temp.		Indoor Air Temp. °F DB											
		°F DB	°F WB	61		64		68		70		72		75	
				TC	PI	TC	PI	TC	PI	TC	PI	TC	PI	TC	PI
Two (2) Non-Ducted Indoor Units	9 + 15	-4	-4.4	5.36	1.67	5.12	1.74	4.88	1.76	4.85	1.77	4.82	1.78	4.58	1.85
		0	-0.4	8.11	1.71	7.56	1.77	7.49	1.80	7.39	1.81	7.32	1.83	7.00	1.89
		5	4.5	11.38	1.75	10.83	1.81	10.58	1.85	10.42	1.87	10.28	1.89	9.86	1.95
		10	9	13.57	1.79	13.02	1.85	12.66	1.89	12.44	1.92	12.27	1.94	11.78	2.00
		17	15	15.98	1.84	15.42	1.90	14.94	1.95	14.67	1.99	14.45	2.01	13.89	2.07
		20	19	17.44	1.87	16.88	1.93	16.32	1.99	16.02	2.03	15.77	2.06	15.17	2.12
		25	23	19.88	1.93	19.29	1.99	18.62	2.06	18.27	2.11	17.98	2.14	17.31	2.20
		30	28	22.33	2.00	21.64	2.07	20.90	2.13	20.51	2.18	20.21	2.22	19.46	2.27
		35	32	24.79	2.07	24.00	2.15	23.18	2.20	22.76	2.26	22.43	2.30	21.62	2.35
		40	36	26.05	2.13	25.32	2.21	24.51	2.27	24.09	2.32	23.75	2.36	22.89	2.42
		45	41	27.63	2.21	26.97	2.28	26.17	2.36	25.74	2.40	25.39	2.43	24.47	2.50
		47	43	28.26	2.24	27.63	2.31	26.84	2.39	26.40	2.43	26.05	2.46	25.10	2.54
		50	46	28.34	2.23	27.77	2.29	27.08	2.36	26.69	2.40	26.38	2.42	25.49	2.49
		55	51	28.48	2.20	28.01	2.26	27.49	2.31	27.18	2.34	26.92	2.36	26.13	2.41
		60	56	28.62	2.18	28.25	2.22	27.90	2.26	27.66	2.28	27.47	2.29	26.77	2.33
		63	59	28.70	2.17	28.39	2.20	28.14	2.23	27.95	2.24	27.80	2.25	27.15	2.28
		68	64	28.79	2.15	28.53	2.18	28.39	2.20	28.25	2.21	28.13	2.22	27.54	2.23
		12 + 12	-4	-4.4	5.36	1.67	5.12	1.74	4.88	1.76	4.85	1.77	4.82	1.78	4.58
	0		-0.4	8.11	1.71	7.56	1.77	7.49	1.80	7.39	1.81	7.32	1.83	7.00	1.89
	5		4.5	11.38	1.75	10.83	1.81	10.58	1.85	10.42	1.87	10.28	1.89	9.86	1.95
	10		9	13.57	1.79	13.02	1.85	12.66	1.89	12.44	1.92	12.27	1.94	11.78	2.00
	17		15	15.98	1.84	15.42	1.90	14.94	1.95	14.67	1.99	14.45	2.01	13.89	2.07
	20		19	17.44	1.87	16.88	1.93	16.32	1.99	16.02	2.03	15.77	2.06	15.17	2.12
	25		23	19.88	1.93	19.29	1.99	18.62	2.06	18.27	2.11	17.98	2.14	17.31	2.20
	30		28	22.33	2.00	21.64	2.07	20.90	2.13	20.51	2.18	20.21	2.22	19.46	2.27
	35		32	24.79	2.07	24.00	2.15	23.18	2.20	22.76	2.26	22.43	2.30	21.62	2.35
	40		36	26.05	2.13	25.32	2.21	24.51	2.27	24.09	2.32	23.75	2.36	22.89	2.42
	45		41	27.63	2.21	26.97	2.28	26.17	2.36	25.74	2.40	25.39	2.43	24.47	2.50
	47		43	28.26	2.24	27.63	2.31	26.84	2.39	26.40	2.43	26.05	2.46	25.10	2.54
	50		46	28.34	2.23	27.77	2.29	27.08	2.36	26.69	2.40	26.38	2.42	25.49	2.49
	55		51	28.48	2.20	28.01	2.26	27.49	2.31	27.18	2.34	26.92	2.36	26.13	2.41
	60		56	28.62	2.18	28.25	2.22	27.90	2.26	27.66	2.28	27.47	2.29	26.77	2.33
	63		59	28.70	2.17	28.39	2.20	28.14	2.23	27.95	2.24	27.80	2.25	27.15	2.28
	68		64	28.79	2.15	28.53	2.18	28.39	2.20	28.25	2.21	28.13	2.22	27.54	2.23
	7 + 18		-4	-4.4	5.59	1.73	5.34	1.80	5.09	1.82	5.05	1.83	5.02	1.84	4.78
		0	-0.4	8.45	1.76	7.87	1.83	7.80	1.86	7.70	1.87	7.62	1.89	7.29	1.95
		5	4.5	11.86	1.80	11.28	1.87	11.02	1.91	10.85	1.93	10.71	1.95	10.27	2.01
		10	9	14.14	1.84	13.56	1.91	13.18	1.96	12.96	1.98	12.78	2.00	12.27	2.07
		17	15	16.64	1.90	16.07	1.96	15.56	2.02	15.28	2.05	15.05	2.08	14.47	2.14
		20	19	18.16	1.93	17.59	1.99	17.00	2.06	16.68	2.10	16.43	2.13	15.81	2.19
		25	23	20.71	2.00	20.09	2.05	19.39	2.13	19.03	2.18	18.73	2.21	18.03	2.27
		30	28	23.26	2.07	22.54	2.14	21.77	2.20	21.37	2.25	21.05	2.29	20.28	2.35
		35	32	25.82	2.14	25.00	2.22	24.15	2.28	23.71	2.33	23.36	2.37	22.52	2.43
		40	36	27.13	2.20	26.37	2.28	25.53	2.35	25.09	2.40	24.74	2.43	23.84	2.50
		45	41	28.78	2.28	28.09	2.36	27.26	2.43	26.81	2.48	26.45	2.51	25.49	2.59
		47	43	29.44	2.31	28.78	2.39	27.96	2.47	27.50	2.51	27.13	2.54	26.15	2.62
		50	46	29.52	2.30	28.93	2.37	28.21	2.44	27.80	2.47	27.48	2.50	26.55	2.57
		55	51	29.67	2.28	29.18	2.33	28.64	2.39	28.31	2.41	28.04	2.44	27.22	2.49
	60	56	29.81	2.25	29.42	2.29	29.06	2.34	28.81	2.35	28.61	2.37	27.88	2.41	
	63	59	29.90	2.24	29.57	2.27	29.32	2.31	29.12	2.32	28.96	2.33	28.28	2.36	
	68	64	29.98	2.22	29.72	2.25	29.57	2.28	29.42	2.28	29.30	2.29	28.69	2.31	

TC = Total Capacity (kBtu/h).
PI = Power Input (kW).
Nominal capacity as rated: 0 ft. above sea level with 25 ft. of refrigerant piping.
0 ft. level difference between outdoor and indoor units.

Nominal heating capacity rating obtained with air entering the indoor unit at 70°F dry bulb (DB) and 60°F wet bulb (WB), and outdoor ambient conditions of 47°F dry bulb (DB) and 43°F wet bulb (WB).

PERFORMANCE DATA

Heating Capacity Tables

MULTI F
MULTI F MAX

Table 205: LMU36CHV Heating Capacity Table — Non-Ducted Indoor Units (continued).

Connected Indoor Units	Combination Capacity Index	Outdoor Air Temp.		Indoor Air Temp. °F DB											
		°F DB	°F WB	61		64		68		70		72		75	
				TC	PI	TC	PI	TC	PI	TC	PI	TC	PI	TC	PI
Two (2) Non-Ducted Indoor Units	9 + 18	-4	-4.4	6.03	1.84	5.76	1.91	5.49	1.93	5.46	1.94	5.43	1.95	5.16	2.03
		0	-0.4	9.13	1.87	8.50	1.95	8.42	1.98	8.32	1.99	8.23	2.01	7.87	2.08
		5	4.5	12.81	1.92	12.18	1.99	11.91	2.03	11.72	2.05	11.57	2.07	11.10	2.14
		10	9	15.27	1.96	14.64	2.03	14.24	2.08	14.00	2.11	13.80	2.13	13.26	2.20
		17	15	17.98	2.02	17.35	2.08	16.80	2.15	16.50	2.18	16.26	2.21	15.63	2.28
		20	19	19.62	2.06	18.99	2.12	18.36	2.19	18.02	2.23	17.75	2.26	17.07	2.33
		25	23	22.36	2.12	21.70	2.19	20.94	2.27	20.55	2.31	20.23	2.35	19.47	2.41
		30	28	25.12	2.20	24.35	2.27	23.51	2.34	23.08	2.40	22.73	2.44	21.90	2.50
		35	32	27.88	2.28	27.00	2.36	26.08	2.42	25.61	2.48	25.23	2.52	24.32	2.58
		40	36	29.31	2.35	28.48	2.43	27.57	2.50	27.10	2.55	26.71	2.59	25.75	2.66
		45	41	31.08	2.43	30.34	2.51	29.44	2.59	28.96	2.64	28.57	2.67	27.53	2.75
		47	43	31.79	2.46	31.08	2.54	30.19	2.62	29.70	2.67	29.31	2.71	28.24	2.79
		50	46	31.89	2.45	31.24	2.52	30.47	2.59	30.03	2.63	29.67	2.66	28.67	2.73
		55	51	32.04	2.42	31.51	2.48	30.93	2.54	30.57	2.57	30.29	2.59	29.39	2.65
		60	56	32.20	2.39	31.78	2.44	31.39	2.49	31.12	2.50	30.90	2.52	30.11	2.56
		63	59	32.29	2.38	31.94	2.42	31.66	2.45	31.45	2.47	31.27	2.48	30.55	2.51
		68	64	32.38	2.36	32.10	2.39	31.94	2.42	31.78	2.43	31.64	2.43	30.98	2.45
		12 + 15	-4	-4.4	6.03	1.84	5.76	1.91	5.49	1.93	5.46	1.94	5.43	1.95	5.16
	0		-0.4	9.13	1.87	8.50	1.95	8.42	1.98	8.32	1.99	8.23	2.01	7.87	2.08
	5		4.5	12.81	1.92	12.18	1.99	11.91	2.03	11.72	2.05	11.57	2.07	11.10	2.14
	10		9	15.27	1.96	14.64	2.03	14.24	2.08	14.00	2.11	13.80	2.13	13.26	2.20
	17		15	17.98	2.02	17.35	2.08	16.80	2.15	16.50	2.18	16.26	2.21	15.63	2.28
	20		19	19.62	2.06	18.99	2.12	18.36	2.19	18.02	2.23	17.75	2.26	17.07	2.33
	25		23	22.36	2.12	21.70	2.19	20.94	2.27	20.55	2.31	20.23	2.35	19.47	2.41
	30		28	25.12	2.20	24.35	2.27	23.51	2.34	23.08	2.40	22.73	2.44	21.90	2.50
	35		32	27.88	2.28	27.00	2.36	26.08	2.42	25.61	2.48	25.23	2.52	24.32	2.58
	40		36	29.31	2.35	28.48	2.43	27.57	2.50	27.10	2.55	26.71	2.59	25.75	2.66
	45		41	31.08	2.43	30.34	2.51	29.44	2.59	28.96	2.64	28.57	2.67	27.53	2.75
	47		43	31.79	2.46	31.08	2.54	30.19	2.62	29.70	2.67	29.31	2.71	28.24	2.79
	50		46	31.89	2.45	31.24	2.52	30.47	2.59	30.03	2.63	29.67	2.66	28.67	2.73
	55		51	32.04	2.42	31.51	2.48	30.93	2.54	30.57	2.57	30.29	2.59	29.39	2.65
	60		56	32.20	2.39	31.78	2.44	31.39	2.49	31.12	2.50	30.90	2.52	30.11	2.56
	63		59	32.29	2.38	31.94	2.42	31.66	2.45	31.45	2.47	31.27	2.48	30.55	2.51
	68		64	32.38	2.36	32.10	2.39	31.94	2.42	31.78	2.43	31.64	2.43	30.98	2.45
	12 + 18		-4	-4.4	6.70	1.98	6.40	2.06	6.10	2.08	6.06	2.10	6.03	2.11	5.73
		0	-0.4	10.14	2.02	9.45	2.10	9.36	2.13	9.24	2.15	9.15	2.16	8.75	2.24
		5	4.5	14.23	2.07	13.53	2.15	13.23	2.19	13.02	2.22	12.85	2.24	12.33	2.31
		10	9	16.96	2.12	16.27	2.19	15.82	2.24	15.55	2.27	15.33	2.30	14.73	2.37
		17	15	19.97	2.18	19.28	2.25	18.67	2.32	18.33	2.35	18.06	2.39	17.37	2.45
		20	19	21.80	2.22	21.10	2.28	20.40	2.36	20.02	2.41	19.72	2.44	18.97	2.51
		25	23	24.85	2.29	24.11	2.36	23.27	2.45	22.83	2.50	22.48	2.54	21.63	2.60
		30	28	27.92	2.37	27.05	2.45	26.12	2.53	25.64	2.58	25.26	2.63	24.33	2.69
		35	32	30.98	2.46	30.00	2.55	28.97	2.61	28.45	2.67	28.04	2.72	27.02	2.79
		40	36	32.56	2.53	31.65	2.62	30.64	2.69	30.11	2.75	29.68	2.79	28.61	2.87
		45	41	34.53	2.62	33.71	2.71	32.72	2.79	32.17	2.84	31.74	2.88	30.59	2.97
		47	43	35.32	2.66	34.53	2.74	33.55	2.83	33.00	2.88	32.56	2.92	31.38	3.01
		50	46	35.43	2.64	34.71	2.72	33.85	2.80	33.36	2.84	32.97	2.87	31.86	2.95
		55	51	35.60	2.61	35.01	2.68	34.36	2.74	33.97	2.77	33.65	2.80	32.66	2.85
60		56	35.77	2.58	35.31	2.63	34.87	2.68	34.58	2.70	34.34	2.72	33.46	2.76	
63		59	35.88	2.57	35.49	2.61	35.18	2.65	34.94	2.66	34.75	2.67	33.94	2.70	
68		64	35.98	2.55	35.67	2.58	35.49	2.61	35.31	2.62	35.16	2.63	34.43	2.65	

TC = Total Capacity (kBtu/h).

PI = Power Input (kW).

Nominal capacity as rated: 0 ft. above sea level with 25 ft. of refrigerant piping.
0 ft. level difference between outdoor and indoor units.

Nominal heating capacity rating obtained with air entering the indoor unit at 70°F dry bulb (DB) and 60°F wet bulb (WB), and outdoor ambient conditions of 47°F dry bulb (DB) and 43°F wet bulb (WB).



Multi F and Multi F MAX Heat Pump System Engineering Manual

Table 206: LMU36CHV Heating Capacity Table — Non-Ducted Indoor Units (continued).

Connected Indoor Units	Combination Capacity Index	Outdoor Air Temp.		Indoor Air Temp. °F DB												
		°F DB	°F WB	61		64		68		70		72		75		
				TC	PI	TC	PI	TC	PI	TC	PI	TC	PI	TC	PI	
Two (2) Non-Ducted Indoor Units	15 + 15	-4	-4.4	6.70	1.98	6.40	2.06	6.10	2.08	6.06	2.10	6.03	2.11	5.73	2.19	
		0	-0.4	10.14	2.02	9.45	2.10	9.36	2.13	9.24	2.15	9.15	2.16	8.75	2.24	
		5	4.5	14.23	2.07	13.53	2.15	13.23	2.19	13.02	2.22	12.85	2.24	12.33	2.31	
		10	9	16.96	2.12	16.27	2.19	15.82	2.24	15.55	2.27	15.33	2.30	14.73	2.37	
		17	15	19.97	2.18	19.28	2.25	18.67	2.32	18.33	2.35	18.06	2.39	17.37	2.45	
		20	19	21.80	2.22	21.10	2.28	20.40	2.36	20.02	2.41	19.72	2.44	18.97	2.51	
		25	23	24.85	2.29	24.11	2.36	23.27	2.45	22.83	2.50	22.48	2.54	21.63	2.60	
		30	28	27.92	2.37	27.05	2.45	26.12	2.53	25.64	2.58	25.26	2.63	24.33	2.69	
		35	32	30.98	2.46	30.00	2.55	28.97	2.61	28.45	2.67	28.04	2.72	27.02	2.79	
		40	36	32.56	2.53	31.65	2.62	30.64	2.69	30.11	2.75	29.68	2.79	28.61	2.87	
		45	41	34.53	2.62	33.71	2.71	32.72	2.79	32.17	2.84	31.74	2.88	30.59	2.97	
		47	43	35.32	2.66	34.53	2.74	33.55	2.83	33.00	2.88	32.56	2.92	31.38	3.01	
		50	46	35.43	2.64	34.71	2.72	33.85	2.80	33.36	2.84	32.97	2.87	31.86	2.95	
		55	51	35.60	2.61	35.01	2.68	34.36	2.74	33.97	2.77	33.65	2.80	32.66	2.85	
		60	56	35.77	2.58	35.31	2.63	34.87	2.68	34.58	2.70	34.34	2.72	33.46	2.76	
		63	59	35.88	2.57	35.49	2.61	35.18	2.65	34.94	2.66	34.75	2.67	33.94	2.70	
		68	64	35.98	2.55	35.67	2.58	35.49	2.61	35.31	2.62	35.16	2.63	34.43	2.65	
		7 + 24	18	-4	-4.4	6.93	2.02	6.62	2.10	6.31	2.13	6.26	2.14	6.23	2.15	5.92
	0	-0.4	10.48	2.06	9.76	2.14	9.67	2.18	9.55	2.20	9.45	2.21	9.04	2.29		
	5	4.5	14.70	2.11	13.98	2.19	13.67	2.24	13.45	2.26	13.28	2.28	12.74	2.36		
	10	9	17.53	2.16	16.81	2.23	16.35	2.29	16.07	2.32	15.85	2.35	15.22	2.42		
	17	15	20.64	2.22	19.92	2.29	19.29	2.36	18.94	2.40	18.67	2.44	17.95	2.51		
	20	19	22.52	2.26	21.81	2.33	21.08	2.41	20.69	2.46	20.37	2.49	19.60	2.56		
	25	23	25.67	2.34	24.91	2.41	24.05	2.50	23.59	2.55	23.23	2.59	22.35	2.66		
	30	28	28.85	2.42	27.95	2.50	26.99	2.58	26.50	2.64	26.10	2.68	25.14	2.75		
	35	32	32.02	2.51	31.00	2.60	29.94	2.67	29.40	2.73	28.97	2.78	27.92	2.85		
	40	36	33.65	2.58	32.70	2.67	31.66	2.75	31.11	2.81	30.67	2.85	29.56	2.93		
	45	41	35.69	2.67	34.83	2.76	33.81	2.85	33.25	2.90	32.80	2.94	31.61	3.03		
	47	43	36.50	2.71	35.69	2.80	34.67	2.89	34.10	2.94	33.65	2.98	32.42	3.07		
	50	46	36.61	2.69	35.87	2.77	34.98	2.85	34.48	2.90	34.07	2.93	32.92	3.01		
	55	51	36.79	2.67	36.18	2.73	35.51	2.80	35.10	2.83	34.78	2.85	33.75	2.91		
	60	56	36.97	2.64	36.49	2.69	36.04	2.74	35.73	2.76	35.48	2.77	34.57	2.82		
	63	59	37.07	2.62	36.67	2.66	36.35	2.70	36.10	2.72	35.90	2.73	35.07	2.76		
	68	64	37.18	2.60	36.85	2.64	36.67	2.67	36.48	2.67	36.33	2.68	35.57	2.70		
	9 + 24	18	-4	-4.4	7.31	2.07	6.99	2.15	6.66	2.18	6.61	2.19	6.58	2.20	6.25	2.29
	0	-0.4	11.06	2.11	10.31	2.19	10.21	2.23	10.08	2.25	9.98	2.26	9.54	2.34		
	5	4.5	15.52	2.16	14.76	2.24	14.43	2.29	14.20	2.32	14.02	2.34	13.45	2.41		
	10	9	18.51	2.21	17.75	2.29	17.26	2.35	16.96	2.38	16.73	2.40	16.07	2.48		
	17	15	21.79	2.28	21.03	2.35	20.37	2.42	20.00	2.46	19.71	2.49	18.95	2.57		
	20	19	23.78	2.32	23.02	2.39	22.25	2.47	21.84	2.52	21.51	2.55	20.69	2.62		
	25	23	27.11	2.39	26.30	2.46	25.39	2.56	24.91	2.61	24.52	2.65	23.60	2.72		
	30	28	30.45	2.48	29.51	2.56	28.50	2.64	27.97	2.70	27.56	2.75	26.54	2.82		
	35	32	33.80	2.57	32.72	2.66	31.61	2.73	31.04	2.79	30.59	2.84	29.48	2.91		
	40	36	35.52	2.64	34.52	2.74	33.42	2.81	32.84	2.87	32.38	2.92	31.21	3.00		
	45	41	37.67	2.74	36.77	2.83	35.69	2.92	35.10	2.97	34.62	3.01	33.37	3.10		
	47	43	38.54	2.78	37.67	2.87	36.60	2.96	36.00	3.01	35.52	3.05	34.23	3.14		
	50	46	38.65	2.76	37.87	2.84	36.93	2.92	36.40	2.97	35.97	3.00	34.75	3.08		
	55	51	38.84	2.73	38.19	2.80	37.49	2.86	37.06	2.90	36.71	2.92	35.63	2.98		
60	56	39.03	2.70	38.52	2.75	38.04	2.80	37.72	2.82	37.46	2.84	36.50	2.88			
63	59	39.14	2.68	38.71	2.73	38.38	2.77	38.12	2.78	37.91	2.79	37.02	2.82			
68	64	39.25	2.66	38.91	2.70	38.71	2.73	38.52	2.74	38.36	2.74	37.56	2.77			

TC = Total Capacity (kBtu/h).

PI = Power Input (kW).

Nominal capacity as rated: 0 ft. above sea level with 25 ft. of refrigerant piping.

0 ft. level difference between outdoor and indoor units.

Nominal heating capacity rating obtained with air entering the indoor unit at 70°F dry bulb (DB) and 60°F wet bulb (WB), and outdoor ambient conditions of 47°F dry bulb (DB) and 43°F wet bulb (WB).

Multi F Outdoor Unit Data

PERFORMANCE DATA

Heating Capacity Tables

MULTI F
MULTI F MAX

Table 207: LMU36CHV Heating Capacity Table — Non-Ducted Indoor Units (continued).

Connected Indoor Units	Combination Capacity Index	Outdoor Air Temp.		Indoor Air Temp. °F DB											
		°F DB	°F WB	61		64		68		70		72		75	
				TC	PI	TC	PI	TC	PI	TC	PI	TC	PI	TC	PI
Two (2) Non-Ducted Indoor Units	15 + 18	-4	-4.4	7.31	2.07	6.99	2.15	6.66	2.18	6.61	2.19	6.58	2.20	6.25	2.29
		0	-0.4	11.06	2.11	10.31	2.19	10.21	2.23	10.08	2.25	9.98	2.26	9.54	2.34
		5	4.5	15.52	2.16	14.76	2.24	14.43	2.29	14.20	2.32	14.02	2.34	13.45	2.41
		10	9	18.51	2.21	17.75	2.29	17.26	2.35	16.96	2.38	16.73	2.40	16.07	2.48
		17	15	21.79	2.28	21.03	2.35	20.37	2.42	20.00	2.46	19.71	2.49	18.95	2.57
		20	19	23.78	2.32	23.02	2.39	22.25	2.47	21.84	2.52	21.51	2.55	20.69	2.62
		25	23	27.11	2.39	26.30	2.46	25.39	2.56	24.91	2.61	24.52	2.65	23.60	2.72
		30	28	30.45	2.48	29.51	2.56	28.50	2.64	27.97	2.70	27.56	2.75	26.54	2.82
		35	32	33.80	2.57	32.72	2.66	31.61	2.73	31.04	2.79	30.59	2.84	29.48	2.91
		40	36	35.52	2.64	34.52	2.74	33.42	2.81	32.84	2.87	32.38	2.92	31.21	3.00
		45	41	37.67	2.74	36.77	2.83	35.69	2.92	35.10	2.97	34.62	3.01	33.37	3.10
		47	43	38.54	2.78	37.67	2.87	36.60	2.96	36.00	3.01	35.52	3.05	34.23	3.14
		50	46	38.65	2.76	37.87	2.84	36.93	2.92	36.40	2.97	35.97	3.00	34.75	3.08
		55	51	38.84	2.73	38.19	2.80	37.49	2.86	37.06	2.90	36.71	2.92	35.63	2.98
		60	56	39.03	2.70	38.52	2.75	38.04	2.80	37.72	2.82	37.46	2.84	36.50	2.88
		63	59	39.14	2.68	38.71	2.73	38.38	2.77	38.12	2.78	37.91	2.79	37.02	2.82
		68	64	39.25	2.66	38.91	2.70	38.71	2.73	38.52	2.74	38.36	2.74	37.56	2.77
		18 + 18	-4	-4.4	7.31	2.07	6.99	2.15	6.66	2.18	6.61	2.19	6.58	2.20	6.25
	0		-0.4	11.06	2.11	10.31	2.19	10.21	2.23	10.08	2.25	9.98	2.26	9.54	2.34
	5		4.5	15.52	2.16	14.76	2.24	14.43	2.29	14.20	2.32	14.02	2.34	13.45	2.41
	10		9	18.51	2.21	17.75	2.29	17.26	2.35	16.96	2.38	16.73	2.40	16.07	2.48
	17		15	21.79	2.28	21.03	2.35	20.37	2.42	20.00	2.46	19.71	2.49	18.95	2.57
	20		19	23.78	2.32	23.02	2.39	22.25	2.47	21.84	2.52	21.51	2.55	20.69	2.62
	25		23	27.11	2.39	26.30	2.46	25.39	2.56	24.91	2.61	24.52	2.65	23.60	2.72
	30		28	30.45	2.48	29.51	2.56	28.50	2.64	27.97	2.70	27.56	2.75	26.54	2.82
	35		32	33.80	2.57	32.72	2.66	31.61	2.73	31.04	2.79	30.59	2.84	29.48	2.91
	40		36	35.52	2.64	34.52	2.74	33.42	2.81	32.84	2.87	32.38	2.92	31.21	3.00
	45		41	37.67	2.74	36.77	2.83	35.69	2.92	35.10	2.97	34.62	3.01	33.37	3.10
	47		43	38.54	2.78	37.67	2.87	36.60	2.96	36.00	3.01	35.52	3.05	34.23	3.14
	50		46	38.65	2.76	37.87	2.84	36.93	2.92	36.40	2.97	35.97	3.00	34.75	3.08
	55		51	38.84	2.73	38.19	2.80	37.49	2.86	37.06	2.90	36.71	2.92	35.63	2.98
	60		56	39.03	2.70	38.52	2.75	38.04	2.80	37.72	2.82	37.46	2.84	36.50	2.88
	63		59	39.14	2.68	38.71	2.73	38.38	2.77	38.12	2.78	37.91	2.79	37.02	2.82
	68		64	39.25	2.66	38.91	2.70	38.71	2.73	38.52	2.74	38.36	2.74	37.56	2.77
	12 + 24		-4	-4.4	7.31	2.07	6.99	2.15	6.66	2.18	6.61	2.19	6.58	2.20	6.25
		0	-0.4	11.06	2.11	10.31	2.19	10.21	2.23	10.08	2.25	9.98	2.26	9.54	2.34
		5	4.5	15.52	2.16	14.76	2.24	14.43	2.29	14.20	2.32	14.02	2.34	13.45	2.41
		10	9	18.51	2.21	17.75	2.29	17.26	2.35	16.96	2.38	16.73	2.40	16.07	2.48
		17	15	21.79	2.28	21.03	2.35	20.37	2.42	20.00	2.46	19.71	2.49	18.95	2.57
		20	19	23.78	2.32	23.02	2.39	22.25	2.47	21.84	2.52	21.51	2.55	20.69	2.62
		25	23	27.11	2.39	26.30	2.46	25.39	2.56	24.91	2.61	24.52	2.65	23.60	2.72
		30	28	30.45	2.48	29.51	2.56	28.50	2.64	27.97	2.70	27.56	2.75	26.54	2.82
		35	32	33.80	2.57	32.72	2.66	31.61	2.73	31.04	2.79	30.59	2.84	29.48	2.91
		40	36	35.52	2.64	34.52	2.74	33.42	2.81	32.84	2.87	32.38	2.92	31.21	3.00
		45	41	37.67	2.74	36.77	2.83	35.69	2.92	35.10	2.97	34.62	3.01	33.37	3.10
		47	43	38.54	2.78	37.67	2.87	36.60	2.96	36.00	3.01	35.52	3.05	34.23	3.14
		50	46	38.65	2.76	37.87	2.84	36.93	2.92	36.40	2.97	35.97	3.00	34.75	3.08
		55	51	38.84	2.73	38.19	2.80	37.49	2.86	37.06	2.90	36.71	2.92	35.63	2.98
60		56	39.03	2.70	38.52	2.75	38.04	2.80	37.72	2.82	37.46	2.84	36.50	2.88	
63		59	39.14	2.68	38.71	2.73	38.38	2.77	38.12	2.78	37.91	2.79	37.02	2.82	
68		64	39.25	2.66	38.91	2.70	38.71	2.73	38.52	2.74	38.36	2.74	37.56	2.77	

TC = Total Capacity (kBtu/h).

PI = Power Input (kW).

Nominal capacity as rated: 0 ft. above sea level with 25 ft. of refrigerant piping.

0 ft. level difference between outdoor and indoor units.

Nominal heating capacity rating obtained with air entering the indoor unit at 70°F dry bulb (DB) and 60°F wet bulb (WB), and outdoor ambient conditions of 47°F dry bulb (DB) and 43°F wet bulb (WB).



Table 208: LMU36CHV Heating Capacity Table — Non-Ducted Indoor Units (continued).

Connected Indoor Units	Combination Capacity Index	Outdoor Air Temp.		Indoor Air Temp. °F DB											
		°F DB	°F WB	61		64		68		70		72		75	
				TC	PI	TC	PI	TC	PI	TC	PI	TC	PI	TC	PI
Two (2) Non-Ducted Indoor Units	15 + 24	-4	-4.4	7.31	2.07	6.99	2.15	6.66	2.18	6.61	2.19	6.58	2.20	6.25	2.29
		0	-0.4	11.06	2.11	10.31	2.19	10.21	2.23	10.08	2.25	9.98	2.26	9.54	2.34
		5	4.5	15.52	2.16	14.76	2.24	14.43	2.29	14.20	2.32	14.02	2.34	13.45	2.41
		10	9	18.51	2.21	17.75	2.29	17.26	2.35	16.96	2.38	16.73	2.40	16.07	2.48
		17	15	21.79	2.28	21.03	2.35	20.37	2.42	20.00	2.46	19.71	2.49	18.95	2.57
		20	19	23.78	2.32	23.02	2.39	22.25	2.47	21.84	2.52	21.51	2.55	20.69	2.62
		25	23	27.11	2.39	26.30	2.46	25.39	2.56	24.91	2.61	24.52	2.65	23.60	2.72
		30	28	30.45	2.48	29.51	2.56	28.50	2.64	27.97	2.70	27.56	2.75	26.54	2.82
		35	32	33.80	2.57	32.72	2.66	31.61	2.73	31.04	2.79	30.59	2.84	29.48	2.91
		40	36	35.52	2.64	34.52	2.74	33.42	2.81	32.84	2.87	32.38	2.92	31.21	3.00
		45	41	37.67	2.74	36.77	2.83	35.69	2.92	35.10	2.97	34.62	3.01	33.37	3.10
		47	43	38.54	2.78	37.67	2.87	36.60	2.96	36.00	3.01	35.52	3.05	34.23	3.14
	50	46	38.65	2.76	37.87	2.84	36.93	2.92	36.40	2.97	35.97	3.00	34.75	3.08	
	55	51	38.84	2.73	38.19	2.80	37.49	2.86	37.06	2.90	36.71	2.92	35.63	2.98	
	60	56	39.03	2.70	38.52	2.75	38.04	2.80	37.72	2.82	37.46	2.84	36.50	2.88	
	63	59	39.14	2.68	38.71	2.73	38.38	2.77	38.12	2.78	37.91	2.79	37.02	2.82	
	68	64	39.25	2.66	38.91	2.70	38.71	2.73	38.52	2.74	38.36	2.74	37.56	2.77	
	18 + 24	-4	-4.4	7.31	2.07	6.99	2.15	6.66	2.18	6.61	2.19	6.58	2.20	6.25	2.29
		0	-0.4	11.06	2.11	10.31	2.19	10.21	2.23	10.08	2.25	9.98	2.26	9.54	2.34
		5	4.5	15.52	2.16	14.76	2.24	14.43	2.29	14.20	2.32	14.02	2.34	13.45	2.41
		10	9	18.51	2.21	17.75	2.29	17.26	2.35	16.96	2.38	16.73	2.40	16.07	2.48
		17	15	21.79	2.28	21.03	2.35	20.37	2.42	20.00	2.46	19.71	2.49	18.95	2.57
		20	19	23.78	2.32	23.02	2.39	22.25	2.47	21.84	2.52	21.51	2.55	20.69	2.62
		25	23	27.11	2.39	26.30	2.46	25.39	2.56	24.91	2.61	24.52	2.65	23.60	2.72
		30	28	30.45	2.48	29.51	2.56	28.50	2.64	27.97	2.70	27.56	2.75	26.54	2.82
		35	32	33.80	2.57	32.72	2.66	31.61	2.73	31.04	2.79	30.59	2.84	29.48	2.91
		40	36	35.52	2.64	34.52	2.74	33.42	2.81	32.84	2.87	32.38	2.92	31.21	3.00
		45	41	37.67	2.74	36.77	2.83	35.69	2.92	35.10	2.97	34.62	3.01	33.37	3.10
		47	43	38.54	2.78	37.67	2.87	36.60	2.96	36.00	3.01	35.52	3.05	34.23	3.14
	50	46	38.65	2.76	37.87	2.84	36.93	2.92	36.40	2.97	35.97	3.00	34.75	3.08	
	55	51	38.84	2.73	38.19	2.80	37.49	2.86	37.06	2.90	36.71	2.92	35.63	2.98	
	60	56	39.03	2.70	38.52	2.75	38.04	2.80	37.72	2.82	37.46	2.84	36.50	2.88	
	63	59	39.14	2.68	38.71	2.73	38.38	2.77	38.12	2.78	37.91	2.79	37.02	2.82	
	68	64	39.25	2.66	38.91	2.70	38.71	2.73	38.52	2.74	38.36	2.74	37.56	2.77	
	24 + 24	-4	-4.4	7.31	2.07	6.99	2.15	6.66	2.18	6.61	2.19	6.58	2.20	6.25	2.29
		0	-0.4	11.06	2.11	10.31	2.19	10.21	2.23	10.08	2.25	9.98	2.26	9.54	2.34
		5	4.5	15.52	2.16	14.76	2.24	14.43	2.29	14.20	2.32	14.02	2.34	13.45	2.41
		10	9	18.51	2.21	17.75	2.29	17.26	2.35	16.96	2.38	16.73	2.40	16.07	2.48
		17	15	21.79	2.28	21.03	2.35	20.37	2.42	20.00	2.46	19.71	2.49	18.95	2.57
		20	19	23.78	2.32	23.02	2.39	22.25	2.47	21.84	2.52	21.51	2.55	20.69	2.62
		25	23	27.11	2.39	26.30	2.46	25.39	2.56	24.91	2.61	24.52	2.65	23.60	2.72
		30	28	30.45	2.48	29.51	2.56	28.50	2.64	27.97	2.70	27.56	2.75	26.54	2.82
		35	32	33.80	2.57	32.72	2.66	31.61	2.73	31.04	2.79	30.59	2.84	29.48	2.91
		40	36	35.52	2.64	34.52	2.74	33.42	2.81	32.84	2.87	32.38	2.92	31.21	3.00
		45	41	37.67	2.74	36.77	2.83	35.69	2.92	35.10	2.97	34.62	3.01	33.37	3.10
		47	43	38.54	2.78	37.67	2.87	36.60	2.96	36.00	3.01	35.52	3.05	34.23	3.14
		50	46	38.65	2.76	37.87	2.84	36.93	2.92	36.40	2.97	35.97	3.00	34.75	3.08
		55	51	38.84	2.73	38.19	2.80	37.49	2.86	37.06	2.90	36.71	2.92	35.63	2.98
60	56	39.03	2.70	38.52	2.75	38.04	2.80	37.72	2.82	37.46	2.84	36.50	2.88		
63	59	39.14	2.68	38.71	2.73	38.38	2.77	38.12	2.78	37.91	2.79	37.02	2.82		
68	64	39.25	2.66	38.91	2.70	38.71	2.73	38.52	2.74	38.36	2.74	37.56	2.77		

TC = Total Capacity (kBtu/h).

PI = Power Input (kW).

Nominal capacity as rated: 0 ft. above sea level with 25 ft. of refrigerant piping.
0 ft. level difference between outdoor and indoor units.

Nominal heating capacity rating obtained with air entering the indoor unit at 70°F dry bulb (DB) and 60°F wet bulb (WB), and outdoor ambient conditions of 47°F dry bulb (DB) and 43°F wet bulb (WB).

PERFORMANCE DATA

Heating Capacity Tables

MULTI F
MULTI F MAX

Table 209: LMU36CHV Heating Capacity Table — Non-Ducted Indoor Unit (continued).

Connected Indoor Units	Combination Capacity Index	Outdoor Air Temp.		Indoor Air Temp. °F DB											
		°F DB	°F WB	61		64		68		70		72		75	
				TC	PI	TC	PI	TC	PI	TC	PI	TC	PI	TC	PI
Three (3) Non-Ducted Indoor Units	7 + 7 + 7	-4	-4.4	4.69	1.49	4.48	1.55	4.27	1.56	4.24	1.57	4.22	1.58	4.01	1.64
		0	-0.4	7.10	1.52	6.61	1.57	6.55	1.60	6.47	1.61	6.40	1.62	6.12	1.68
		5	4.5	9.96	1.55	9.47	1.61	9.26	1.64	9.11	1.66	9.00	1.68	8.63	1.73
		10	9	11.87	1.59	11.39	1.64	11.07	1.68	10.89	1.71	10.73	1.72	10.31	1.78
		17	15	13.98	1.63	13.50	1.68	13.07	1.74	12.83	1.77	12.64	1.79	12.16	1.84
		20	19	15.26	1.66	14.77	1.71	14.28	1.77	14.01	1.81	13.80	1.83	13.28	1.88
		25	23	17.39	1.72	16.88	1.77	16.29	1.83	15.98	1.87	15.74	1.90	15.14	1.95
		30	28	19.54	1.78	18.94	1.84	18.29	1.90	17.95	1.94	17.68	1.97	17.03	2.02
		35	32	21.69	1.84	21.00	1.91	20.28	1.96	19.92	2.00	19.63	2.04	18.92	2.09
		40	36	22.79	1.90	22.15	1.96	21.45	2.02	21.07	2.06	20.78	2.09	20.02	2.15
		45	41	24.17	1.96	23.60	2.03	22.90	2.09	22.52	2.13	22.22	2.16	21.41	2.23
		47	43	24.73	1.99	24.17	2.06	23.48	2.12	23.10	2.16	22.79	2.19	21.96	2.26
		50	46	24.80	1.98	24.30	2.04	23.70	2.10	23.35	2.13	23.08	2.15	22.30	2.21
		55	51	24.92	1.96	24.51	2.01	24.05	2.05	23.78	2.08	23.56	2.10	22.86	2.14
		60	56	25.04	1.94	24.72	1.97	24.41	2.01	24.20	2.03	24.04	2.04	23.42	2.07
		63	59	25.11	1.92	24.84	1.96	24.63	1.99	24.46	2.00	24.32	2.00	23.76	2.03
		68	64	25.19	1.91	24.97	1.94	24.84	1.96	24.71	1.96	24.61	1.97	24.10	1.99
		7 + 7 + 9	-4	-4.4	5.14	1.59	4.91	1.65	4.68	1.67	4.65	1.68	4.62	1.69	4.39
	0		-0.4	7.78	1.62	7.24	1.68	7.18	1.71	7.09	1.72	7.01	1.74	6.71	1.80
	5		4.5	10.91	1.66	10.38	1.72	10.14	1.76	9.98	1.78	9.85	1.79	9.45	1.85
	10		9	13.01	1.70	12.47	1.76	12.13	1.80	11.92	1.82	11.76	1.84	11.29	1.90
	17		15	15.31	1.75	14.78	1.80	14.31	1.86	14.06	1.89	13.85	1.91	13.32	1.97
	20		19	16.71	1.78	16.18	1.83	15.64	1.90	15.35	1.93	15.12	1.96	14.54	2.01
	25		23	19.05	1.84	18.48	1.89	17.84	1.96	17.50	2.00	17.23	2.03	16.59	2.09
	30		28	21.40	1.90	20.74	1.97	20.03	2.03	19.66	2.07	19.37	2.11	18.65	2.16
	35		32	23.75	1.97	23.00	2.04	22.21	2.09	21.81	2.14	21.50	2.18	20.72	2.24
	40		36	24.96	2.03	24.26	2.10	23.49	2.16	23.08	2.20	22.76	2.24	21.93	2.30
	45		41	26.48	2.10	25.84	2.17	25.08	2.24	24.67	2.28	24.33	2.31	23.45	2.38
	47		43	27.08	2.13	26.48	2.20	25.72	2.27	25.30	2.31	24.96	2.34	24.06	2.41
	50		46	27.16	2.12	26.61	2.18	25.95	2.24	25.58	2.28	25.28	2.30	24.42	2.37
	55		51	27.29	2.09	26.84	2.15	26.35	2.20	26.04	2.22	25.80	2.24	25.04	2.29
	60		56	27.43	2.07	27.07	2.11	26.74	2.15	26.51	2.17	26.32	2.18	25.65	2.21
	63		59	27.51	2.06	27.21	2.09	26.97	2.12	26.79	2.13	26.64	2.14	26.02	2.17
	68		64	27.59	2.05	27.34	2.07	27.21	2.10	27.07	2.10	26.96	2.11	26.39	2.12
	7 + 9 + 9		-4	-4.4	5.59	1.70	5.34	1.77	5.09	1.79	5.05	1.80	5.02	1.81	4.78
		0	-0.4	8.45	1.73	7.87	1.80	7.80	1.83	7.70	1.84	7.62	1.86	7.29	1.92
		5	4.5	11.86	1.78	11.28	1.84	11.02	1.88	10.85	1.90	10.71	1.92	10.27	1.98
		10	9	14.14	1.82	13.56	1.88	13.18	1.92	12.96	1.95	12.78	1.97	12.27	2.03
		17	15	16.64	1.87	16.07	1.93	15.56	1.99	15.28	2.02	15.05	2.05	14.47	2.11
		20	19	18.16	1.90	17.59	1.96	17.00	2.03	16.68	2.06	16.43	2.09	15.81	2.15
		25	23	20.71	1.96	20.09	2.02	19.39	2.10	19.03	2.14	18.73	2.17	18.03	2.23
		30	28	23.26	2.04	22.54	2.10	21.77	2.17	21.37	2.22	21.05	2.25	20.28	2.31
		35	32	25.82	2.11	25.00	2.18	24.15	2.24	23.71	2.29	23.36	2.33	22.52	2.39
		40	36	27.13	2.17	26.37	2.25	25.53	2.31	25.09	2.36	24.74	2.40	23.84	2.46
		45	41	28.78	2.25	28.09	2.32	27.26	2.39	26.81	2.44	26.45	2.47	25.49	2.54
		47	43	29.44	2.28	28.78	2.35	27.96	2.43	27.50	2.47	27.13	2.50	26.15	2.58
		50	46	29.52	2.26	28.93	2.33	28.21	2.40	27.80	2.43	27.48	2.46	26.55	2.53
		55	51	29.67	2.24	29.18	2.29	28.64	2.35	28.31	2.38	28.04	2.40	27.22	2.45
		60	56	29.81	2.22	29.42	2.26	29.06	2.30	28.81	2.32	28.61	2.33	27.88	2.37
		63	59	29.90	2.20	29.57	2.24	29.32	2.27	29.12	2.28	28.96	2.29	28.28	2.32
		68	64	29.98	2.19	29.72	2.21	29.57	2.24	29.42	2.25	29.30	2.25	28.69	2.27

TC = Total Capacity (kBtu/h).

PI = Power Input (kW).

Nominal capacity as rated: 0 ft. above sea level with 25 ft. of refrigerant piping.

0 ft. level difference between outdoor and indoor units.

Nominal heating capacity rating obtained with air entering the indoor unit at 70°F dry bulb (DB) and 60°F wet bulb (WB), and outdoor ambient conditions of 47°F dry bulb (DB) and 43°F wet bulb (WB).



Table 210: LMU36CHV Heating Capacity Table —Non-Ducted Indoor Unit (continued).

Connected Indoor Units	Combination Capacity Index	Outdoor Air Temp.		Indoor Air Temp. °F DB											
		°F DB	°F WB	61		64		68		70		72		75	
				TC	PI	TC	PI	TC	PI	TC	PI	TC	PI	TC	PI
Three (3) Non-Ducted Indoor Units	7 + 7 + 12	-4	-4.4	5.81	1.73	5.55	1.80	5.29	1.82	5.25	1.83	5.23	1.84	4.97	1.91
		0	-0.4	8.79	1.76	8.19	1.83	8.11	1.86	8.01	1.87	7.93	1.89	7.58	1.95
		5	4.5	12.33	1.80	11.73	1.87	11.47	1.91	11.28	1.93	11.14	1.95	10.69	2.01
		10	9	14.70	1.84	14.10	1.91	13.71	1.96	13.48	1.98	13.29	2.00	12.77	2.07
		17	15	17.31	1.90	16.71	1.96	16.18	2.02	15.89	2.05	15.65	2.08	15.05	2.14
		20	19	18.89	1.93	18.29	1.99	17.68	2.06	17.35	2.10	17.09	2.13	16.44	2.19
		25	23	21.53	2.00	20.90	2.05	20.17	2.13	19.79	2.18	19.48	2.21	18.75	2.27
		30	28	24.19	2.07	23.44	2.14	22.64	2.20	22.22	2.25	21.89	2.29	21.09	2.35
		35	32	26.85	2.14	26.00	2.22	25.11	2.28	24.66	2.33	24.30	2.37	23.42	2.43
		40	36	28.22	2.20	27.43	2.28	26.55	2.35	26.09	2.40	25.72	2.43	24.79	2.50
		45	41	29.93	2.28	29.22	2.36	28.35	2.43	27.88	2.48	27.51	2.51	26.51	2.59
		47	43	30.61	2.31	29.93	2.39	29.08	2.47	28.60	2.51	28.22	2.54	27.19	2.62
	50	46	30.70	2.30	30.08	2.37	29.34	2.44	28.92	2.47	28.58	2.50	27.61	2.57	
	55	51	30.85	2.28	30.34	2.33	29.78	2.39	29.44	2.41	29.17	2.44	28.30	2.49	
	60	56	31.00	2.25	30.60	2.29	30.22	2.34	29.97	2.35	29.76	2.37	29.00	2.41	
	63	59	31.09	2.24	30.75	2.27	30.49	2.31	30.28	2.32	30.11	2.33	29.41	2.36	
	68	64	31.18	2.22	30.91	2.25	30.76	2.28	30.60	2.28	30.47	2.29	29.84	2.31	
	0	-4.4	6.03	1.75	5.76	1.82	5.49	1.85	5.46	1.86	5.43	1.87	5.16	1.94	
	5	4.5	12.81	1.83	12.18	1.90	11.91	1.94	11.72	1.96	11.57	1.98	11.10	2.05	
	10	9	15.27	1.87	14.64	1.94	14.24	1.99	14.00	2.01	13.80	2.04	13.26	2.10	
	17	15	17.98	1.93	17.35	1.99	16.80	2.05	16.50	2.08	16.26	2.11	15.63	2.17	
	20	19	19.62	1.96	18.99	2.02	18.36	2.09	18.02	2.13	17.75	2.16	17.07	2.22	
	25	23	22.36	2.03	21.70	2.09	20.94	2.17	20.55	2.21	20.23	2.24	19.47	2.30	
	30	28	25.12	2.10	24.35	2.17	23.51	2.24	23.08	2.29	22.73	2.33	21.90	2.39	
	35	32	27.88	2.18	27.00	2.25	26.08	2.31	25.61	2.37	25.23	2.41	24.32	2.47	
	40	36	29.31	2.24	28.48	2.32	27.57	2.38	27.10	2.43	26.71	2.47	25.75	2.54	
	45	41	31.08	2.32	30.34	2.40	29.44	2.47	28.96	2.52	28.57	2.55	27.53	2.63	
	47	43	31.79	2.35	31.08	2.43	30.19	2.51	29.70	2.55	29.31	2.58	28.24	2.66	
	50	46	31.89	2.34	31.24	2.41	30.47	2.48	30.03	2.51	29.67	2.54	28.67	2.61	
	55	51	32.04	2.31	31.51	2.37	30.93	2.43	30.57	2.45	30.29	2.47	29.39	2.53	
	60	56	32.20	2.29	31.78	2.33	31.39	2.37	31.12	2.39	30.90	2.41	30.11	2.44	
	63	59	32.29	2.27	31.94	2.31	31.66	2.34	31.45	2.36	31.27	2.36	30.55	2.39	
	68	64	32.38	2.26	32.10	2.29	31.94	2.31	31.78	2.32	31.64	2.32	30.98	2.34	
	0	-4.4	6.26	1.79	5.98	1.86	5.70	1.88	5.66	1.89	5.63	1.90	5.35	1.97	
	5	4.5	13.28	1.87	12.63	1.94	12.35	1.98	12.15	2.00	12.00	2.02	11.51	2.09	
	10	9	15.83	1.91	15.18	1.98	14.77	2.03	14.51	2.05	14.31	2.08	13.75	2.14	
	17	15	18.64	1.97	17.99	2.03	17.43	2.09	17.11	2.13	16.86	2.15	16.21	2.22	
	20	19	20.34	2.00	19.70	2.06	19.04	2.13	18.69	2.17	18.40	2.21	17.70	2.27	
	25	23	23.19	2.07	22.50	2.13	21.72	2.21	21.31	2.25	20.98	2.29	20.19	2.35	
	30	28	26.05	2.14	25.25	2.21	24.38	2.28	23.93	2.33	23.58	2.37	22.71	2.43	
	35	32	28.92	2.22	28.00	2.30	27.04	2.36	26.56	2.41	26.17	2.46	25.22	2.52	
	40	36	30.39	2.28	29.54	2.36	28.60	2.43	28.10	2.48	27.70	2.52	26.70	2.59	
	45	41	32.23	2.37	31.46	2.44	30.54	2.52	30.03	2.57	29.62	2.60	28.55	2.68	
	47	43	32.97	2.40	32.23	2.48	31.31	2.56	30.80	2.60	30.39	2.64	29.29	2.71	
	50	46	33.07	2.38	32.40	2.45	31.60	2.52	31.14	2.56	30.77	2.59	29.73	2.66	
	55	51	33.23	2.36	32.68	2.42	32.07	2.47	31.70	2.50	31.41	2.52	30.48	2.58	
	60	56	33.39	2.33	32.95	2.38	32.55	2.42	32.27	2.44	32.05	2.45	31.23	2.49	
	63	59	33.49	2.32	33.12	2.35	32.83	2.39	32.61	2.40	32.43	2.41	31.68	2.44	
68	64	33.58	2.30	33.29	2.33	33.12	2.36	32.95	2.36	32.82	2.37	32.13	2.39		

TC = Total Capacity (kBtu/h).

PI = Power Input (kW).

Nominal capacity as rated: 0 ft. above sea level with 25 ft. of refrigerant piping.
0 ft. level difference between outdoor and indoor units.

Nominal heating capacity rating obtained with air entering the indoor unit at 70°F dry bulb (DB) and 60°F wet bulb (WB), and outdoor ambient conditions of 47°F dry bulb (DB) and 43°F wet bulb (WB).

PERFORMANCE DATA

Heating Capacity Tables

MULTI F
MULTI F MAX

Table 211: LMU36CHV Heating Capacity Table —Non-Ducted Indoor Unit (continued).

Connected Indoor Units	Combination Capacity Index	Outdoor Air Temp.		Indoor Air Temp. °F DB												
		°F DB	°F WB	61		64		68		70		72		75		
				TC	PI	TC	PI	TC	PI	TC	PI	TC	PI	TC	PI	
Three (3) Non-Ducted Indoor Units	7 + 7 + 15	-4	-4.4	6.48	1.82	6.19	1.90	5.90	1.92	5.86	1.93	5.83	1.94	5.54	2.01	
		0	-0.4	9.80	1.86	9.13	1.93	9.05	1.96	8.93	1.98	8.84	1.99	8.45	2.06	
		5	4.5	13.75	1.91	13.08	1.97	12.79	2.02	12.59	2.04	12.42	2.06	11.92	2.13	
		10	9	16.40	1.95	15.73	2.01	15.29	2.06	15.03	2.09	14.82	2.12	14.24	2.18	
		17	15	19.31	2.00	18.64	2.07	18.05	2.13	17.72	2.17	17.46	2.19	16.79	2.26	
		20	19	21.07	2.04	20.40	2.10	19.72	2.17	19.35	2.22	19.06	2.25	18.34	2.31	
		25	23	24.02	2.11	23.31	2.17	22.50	2.25	22.07	2.30	21.73	2.33	20.91	2.39	
		30	28	26.98	2.19	26.15	2.26	25.25	2.33	24.79	2.38	24.42	2.42	23.52	2.48	
		35	32	29.95	2.26	29.00	2.34	28.01	2.40	27.51	2.46	27.10	2.50	26.12	2.56	
		40	36	31.48	2.33	30.59	2.41	29.62	2.48	29.10	2.53	28.69	2.57	27.65	2.64	
		45	41	33.38	2.41	32.59	2.49	31.63	2.57	31.10	2.62	30.68	2.65	29.57	2.73	
		47	43	34.15	2.44	33.38	2.52	32.43	2.61	31.90	2.65	31.48	2.69	30.33	2.77	
		50	46	34.25	2.43	33.56	2.50	32.73	2.57	32.25	2.61	31.87	2.64	30.80	2.71	
		55	51	34.41	2.40	33.84	2.46	33.22	2.52	32.84	2.55	32.53	2.57	31.57	2.63	
		60	56	34.58	2.38	34.13	2.42	33.71	2.47	33.42	2.49	33.19	2.50	32.34	2.54	
		63	59	34.68	2.36	34.30	2.40	34.01	2.44	33.77	2.45	33.59	2.46	32.81	2.49	
		68	64	34.78	2.35	34.48	2.38	34.31	2.40	34.13	2.41	33.99	2.42	33.28	2.44	
		9 + 9 + 12	9 + 9 + 12	-4	-4.4	6.70	1.86	6.40	1.94	6.10	1.96	6.06	1.97	6.03	1.98	5.73
	0	-0.4		10.14	1.90	9.45	1.97	9.36	2.01	9.24	2.02	9.15	2.04	8.75	2.11	
	5	4.5		14.23	1.95	13.53	2.02	13.23	2.06	13.02	2.08	12.85	2.10	12.33	2.17	
	10	9		16.96	1.99	16.27	2.06	15.82	2.11	15.55	2.14	15.33	2.16	14.73	2.23	
	17	15		19.97	2.05	19.28	2.11	18.67	2.18	18.33	2.22	18.06	2.24	17.37	2.31	
	20	19		21.80	2.09	21.10	2.15	20.40	2.22	20.02	2.27	19.72	2.30	18.97	2.36	
	25	23		24.85	2.16	24.11	2.22	23.27	2.30	22.83	2.35	22.48	2.39	21.63	2.45	
	30	28		27.92	2.23	27.05	2.31	26.12	2.38	25.64	2.43	25.26	2.47	24.33	2.54	
	35	32		30.98	2.31	30.00	2.40	28.97	2.46	28.45	2.51	28.04	2.56	27.02	2.62	
	40	36		32.56	2.38	31.65	2.46	30.64	2.53	30.11	2.59	29.68	2.63	28.61	2.70	
	45	41		34.53	2.47	33.71	2.55	32.72	2.63	32.17	2.67	31.74	2.71	30.59	2.79	
	47	43		35.32	2.50	34.53	2.58	33.55	2.66	33.00	2.71	32.56	2.75	31.38	2.83	
	50	46		35.43	2.48	34.71	2.56	33.85	2.63	33.36	2.67	32.97	2.70	31.86	2.78	
	55	51		35.60	2.46	35.01	2.52	34.36	2.58	33.97	2.61	33.65	2.63	32.66	2.69	
	60	56		35.77	2.43	35.31	2.48	34.87	2.52	34.58	2.54	34.34	2.56	33.46	2.60	
	63	59		35.88	2.41	35.49	2.45	35.18	2.49	34.94	2.50	34.75	2.51	33.94	2.54	
	68	64		35.98	2.40	35.67	2.43	35.49	2.46	35.31	2.47	35.16	2.47	34.43	2.49	
	7 + 9 + 15	7 + 9 + 15		-4	-4.4	6.93	1.91	6.62	1.98	6.31	2.00	6.26	2.02	6.23	2.03	5.92
	0		-0.4	10.48	1.94	9.76	2.02	9.67	2.05	9.55	2.07	9.45	2.08	9.04	2.16	
	5		4.5	14.70	1.99	13.98	2.06	13.67	2.11	13.45	2.13	13.28	2.15	12.74	2.22	
	10		9	17.53	2.04	16.81	2.11	16.35	2.16	16.07	2.19	15.85	2.21	15.22	2.28	
	17		15	20.64	2.09	19.92	2.16	19.29	2.23	18.94	2.26	18.67	2.29	17.95	2.36	
	20		19	22.52	2.13	21.81	2.20	21.08	2.27	20.69	2.32	20.37	2.35	19.60	2.41	
	25		23	25.67	2.20	24.91	2.27	24.05	2.35	23.59	2.40	23.23	2.44	22.35	2.50	
	30		28	28.85	2.28	27.95	2.36	26.99	2.43	26.50	2.49	26.10	2.53	25.14	2.59	
	35		32	32.02	2.36	31.00	2.45	29.94	2.51	29.40	2.57	28.97	2.62	27.92	2.68	
	40		36	33.65	2.43	32.70	2.52	31.66	2.59	31.11	2.64	30.67	2.69	29.56	2.76	
	45		41	35.69	2.52	34.83	2.60	33.81	2.68	33.25	2.73	32.80	2.77	31.61	2.85	
	47		43	36.50	2.55	35.69	2.64	34.67	2.72	34.10	2.77	33.65	2.81	32.42	2.89	
	50		46	36.61	2.54	35.87	2.61	34.98	2.69	34.48	2.73	34.07	2.76	32.92	2.84	
	55		51	36.79	2.51	36.18	2.57	35.51	2.63	35.10	2.66	34.78	2.69	33.75	2.75	
	60		56	36.97	2.48	36.49	2.53	36.04	2.58	35.73	2.60	35.48	2.61	34.57	2.65	
	63		59	37.07	2.47	36.67	2.51	36.35	2.55	36.10	2.56	35.90	2.57	35.07	2.60	
	68		64	37.18	2.45	36.85	2.48	36.67	2.51	36.48	2.52	36.33	2.53	35.57	2.55	

TC = Total Capacity (kBtu/h).

PI = Power Input (kW).

Nominal capacity as rated: 0 ft. above sea level with 25 ft. of refrigerant piping.
0 ft. level difference between outdoor and indoor units.

Nominal heating capacity rating obtained with air entering the indoor unit at 70°F dry bulb (DB) and 60°F wet bulb (WB), and outdoor ambient conditions of 47°F dry bulb (DB) and 43°F wet bulb (WB).



Table 212: LMU36CHV Heating Capacity Table —Non-Ducted Indoor Unit (continued).

Connected Indoor Units	Combination Capacity Index	Outdoor Air Temp.		Indoor Air Temp. °F DB											
		°F DB	°F WB	61		64		68		70		72		75	
				TC	PI	TC	PI	TC	PI	TC	PI	TC	PI	TC	PI
Three (3) Non-Ducted Indoor Units	7 + 12 + 12	-4	-4.4	6.93	1.91	6.62	1.98	6.31	2.00	6.26	2.02	6.23	2.03	5.92	2.10
		0	-0.4	10.48	1.94	9.76	2.02	9.67	2.05	9.55	2.07	9.45	2.08	9.04	2.16
		5	4.5	14.70	1.99	13.98	2.06	13.67	2.11	13.45	2.13	13.28	2.15	12.74	2.22
		10	9	17.53	2.04	16.81	2.11	16.35	2.16	16.07	2.19	15.85	2.21	15.22	2.28
		17	15	20.64	2.09	19.92	2.16	19.29	2.23	18.94	2.26	18.67	2.29	17.95	2.36
		20	19	22.52	2.13	21.81	2.20	21.08	2.27	20.69	2.32	20.37	2.35	19.60	2.41
		25	23	25.67	2.20	24.91	2.27	24.05	2.35	23.59	2.40	23.23	2.44	22.35	2.50
		30	28	28.85	2.28	27.95	2.36	26.99	2.43	26.50	2.49	26.10	2.53	25.14	2.59
		35	32	32.02	2.36	31.00	2.45	29.94	2.51	29.40	2.57	28.97	2.62	27.92	2.68
		40	36	33.65	2.43	32.70	2.52	31.66	2.59	31.11	2.64	30.67	2.69	29.56	2.76
		45	41	35.69	2.52	34.83	2.60	33.81	2.68	33.25	2.73	32.80	2.77	31.61	2.85
		47	43	36.50	2.55	35.69	2.64	34.67	2.72	34.10	2.77	33.65	2.81	32.42	2.89
		50	46	36.61	2.54	35.87	2.61	34.98	2.69	34.48	2.73	34.07	2.76	32.92	2.84
		55	51	36.79	2.51	36.18	2.57	35.51	2.63	35.10	2.66	34.78	2.69	33.75	2.75
		60	56	36.97	2.48	36.49	2.53	36.04	2.58	35.73	2.60	35.48	2.61	34.57	2.65
		63	59	37.07	2.47	36.67	2.51	36.35	2.55	36.10	2.56	35.90	2.57	35.07	2.60
		68	64	37.18	2.45	36.85	2.48	36.67	2.51	36.48	2.52	36.33	2.53	35.57	2.55
		7 + 7 + 18	-4	-4.4	7.15	1.95	6.83	2.02	6.51	2.05	6.47	2.06	6.43	2.07	6.11
	0	-0.4	10.82	1.99	10.08	2.06	9.98	2.09	9.86	2.11	9.76	2.13	9.33	2.20	
	5	4.5	15.18	2.03	14.44	2.11	14.11	2.15	13.89	2.18	13.71	2.20	13.15	2.27	
	10	9	18.10	2.08	17.35	2.15	16.88	2.21	16.59	2.24	16.36	2.26	15.71	2.33	
	17	15	21.31	2.14	20.56	2.21	19.92	2.28	19.56	2.31	19.27	2.34	18.53	2.41	
	20	19	23.25	2.18	22.51	2.25	21.76	2.32	21.35	2.37	21.03	2.40	20.23	2.47	
	25	23	26.50	2.25	25.72	2.32	24.82	2.40	24.35	2.45	23.98	2.49	23.08	2.56	
	30	28	29.78	2.33	28.85	2.41	27.86	2.48	27.35	2.54	26.94	2.58	25.95	2.65	
	35	32	33.05	2.42	32.00	2.50	30.91	2.57	30.35	2.63	29.91	2.67	28.83	2.74	
	40	36	34.73	2.49	33.76	2.57	32.68	2.64	32.11	2.70	31.66	2.74	30.51	2.82	
	45	41	36.84	2.57	35.96	2.66	34.90	2.74	34.32	2.79	33.85	2.83	32.62	2.92	
	47	43	37.68	2.61	36.84	2.70	35.78	2.78	35.20	2.83	34.73	2.87	33.47	2.95	
	50	46	37.79	2.59	37.03	2.67	36.11	2.75	35.59	2.79	35.17	2.82	33.98	2.90	
	55	51	37.97	2.57	37.34	2.63	36.66	2.69	36.23	2.72	35.90	2.75	34.84	2.81	
	60	56	38.16	2.54	37.66	2.59	37.20	2.63	36.88	2.65	36.63	2.67	35.69	2.71	
	63	59	38.27	2.52	37.85	2.56	37.53	2.60	37.27	2.61	37.06	2.62	36.20	2.66	
	68	64	38.38	2.51	38.04	2.54	37.85	2.57	37.66	2.57	37.51	2.58	36.72	2.60	
	9 + 9 + 15	-4	-4.4	7.31	1.95	6.99	2.02	6.66	2.05	6.61	2.06	6.58	2.07	6.25	2.15
	0	-0.4	11.06	1.99	10.31	2.06	10.21	2.09	10.08	2.11	9.98	2.13	9.54	2.20	
	5	4.5	15.52	2.03	14.76	2.11	14.43	2.15	14.20	2.18	14.02	2.20	13.45	2.27	
	10	9	18.51	2.08	17.75	2.15	17.26	2.21	16.96	2.24	16.73	2.26	16.07	2.33	
	17	15	21.79	2.14	21.03	2.21	20.37	2.28	20.00	2.31	19.71	2.34	18.95	2.41	
	20	19	23.78	2.18	23.02	2.25	22.25	2.32	21.84	2.37	21.51	2.40	20.69	2.47	
	25	23	27.11	2.25	26.30	2.32	25.39	2.40	24.91	2.45	24.52	2.49	23.60	2.56	
	30	28	30.45	2.33	29.51	2.41	28.50	2.48	27.97	2.54	27.56	2.58	26.54	2.65	
	35	32	33.80	2.42	32.72	2.50	31.61	2.57	31.04	2.63	30.59	2.67	29.48	2.74	
	40	36	35.52	2.49	34.52	2.57	33.42	2.64	32.84	2.70	32.38	2.74	31.21	2.82	
	45	41	37.67	2.57	36.77	2.66	35.69	2.74	35.10	2.79	34.62	2.83	33.37	2.92	
	47	43	38.54	2.61	37.67	2.70	36.60	2.78	36.00	2.83	35.52	2.87	34.23	2.95	
	50	46	38.65	2.59	37.87	2.67	36.93	2.75	36.40	2.79	35.97	2.82	34.75	2.90	
	55	51	38.84	2.57	38.19	2.63	37.49	2.69	37.06	2.72	36.71	2.75	35.63	2.81	
60	56	39.03	2.54	38.52	2.59	38.04	2.63	37.72	2.65	37.46	2.67	36.50	2.71		
63	59	39.14	2.52	38.71	2.56	38.38	2.60	38.12	2.61	37.91	2.62	37.02	2.66		
68	64	39.25	2.51	38.91	2.54	38.71	2.57	38.52	2.57	38.36	2.58	37.56	2.60		

TC = Total Capacity (kBtu/h).

PI = Power Input (kW).

Nominal capacity as rated: 0 ft. above sea level with 25 ft. of refrigerant piping.
0 ft. level difference between outdoor and indoor units.

Nominal heating capacity rating obtained with air entering the indoor unit at 70°F dry bulb (DB) and 60°F wet bulb (WB), and outdoor ambient conditions of 47°F dry bulb (DB) and 43°F wet bulb (WB).

PERFORMANCE DATA

Heating Capacity Tables

MULTI F
MULTI F MAX

Table 213: LMU36CHV Heating Capacity Table —Non-Ducted Indoor Unit (continued).

Connected Indoor Units	Combination Capacity Index	Outdoor Air Temp.		Indoor Air Temp. °F DB											
		°F DB	°F WB	61		64		68		70		72		75	
				TC	PI	TC	PI	TC	PI	TC	PI	TC	PI	TC	PI
Three (3) Non-Ducted Indoor Units	9 + 12 + 12	-4	-4.4	7.31	1.95	6.99	2.02	6.66	2.05	6.61	2.06	6.58	2.07	6.25	2.15
		0	-0.4	11.06	1.99	10.31	2.06	10.21	2.09	10.08	2.11	9.98	2.13	9.54	2.20
		5	4.5	15.52	2.03	14.76	2.11	14.43	2.15	14.20	2.18	14.02	2.20	13.45	2.27
		10	9	18.51	2.08	17.75	2.15	17.26	2.21	16.96	2.24	16.73	2.26	16.07	2.33
		17	15	21.79	2.14	21.03	2.21	20.37	2.28	20.00	2.31	19.71	2.34	18.95	2.41
		20	19	23.78	2.18	23.02	2.25	22.25	2.32	21.84	2.37	21.51	2.40	20.69	2.47
		25	23	27.11	2.25	26.30	2.32	25.39	2.40	24.91	2.45	24.52	2.49	23.60	2.56
		30	28	30.45	2.33	29.51	2.41	28.50	2.48	27.97	2.54	27.56	2.58	26.54	2.65
		35	32	33.80	2.42	32.72	2.50	31.61	2.57	31.04	2.63	30.59	2.67	29.48	2.74
		40	36	35.52	2.49	34.52	2.57	33.42	2.64	32.84	2.70	32.38	2.74	31.21	2.82
		45	41	37.67	2.57	36.77	2.66	35.69	2.74	35.10	2.79	34.62	2.83	33.37	2.92
		47	43	38.54	2.61	37.67	2.70	36.60	2.78	36.00	2.83	35.52	2.87	34.23	2.95
		50	46	38.65	2.59	37.87	2.67	36.93	2.75	36.40	2.79	35.97	2.82	34.75	2.90
		55	51	38.84	2.57	38.19	2.63	37.49	2.69	37.06	2.72	36.71	2.75	35.63	2.81
		60	56	39.03	2.54	38.52	2.59	38.04	2.63	37.72	2.65	37.46	2.67	36.50	2.71
		63	59	39.14	2.52	38.71	2.56	38.38	2.60	38.12	2.61	37.91	2.62	37.02	2.66
		68	64	39.25	2.51	38.91	2.54	38.71	2.57	38.52	2.57	38.36	2.58	37.56	2.60
		7 + 9 + 18	-4	-4.4	7.31	1.95	6.99	2.02	6.66	2.05	6.61	2.06	6.58	2.07	6.25
	0		-0.4	11.06	1.99	10.31	2.06	10.21	2.09	10.08	2.11	9.98	2.13	9.54	2.20
	5		4.5	15.52	2.03	14.76	2.11	14.43	2.15	14.20	2.18	14.02	2.20	13.45	2.27
	10		9	18.51	2.08	17.75	2.15	17.26	2.21	16.96	2.24	16.73	2.26	16.07	2.33
	17		15	21.79	2.14	21.03	2.21	20.37	2.28	20.00	2.31	19.71	2.34	18.95	2.41
	20		19	23.78	2.18	23.02	2.25	22.25	2.32	21.84	2.37	21.51	2.40	20.69	2.47
	25		23	27.11	2.25	26.30	2.32	25.39	2.40	24.91	2.45	24.52	2.49	23.60	2.56
	30		28	30.45	2.33	29.51	2.41	28.50	2.48	27.97	2.54	27.56	2.58	26.54	2.65
	35		32	33.80	2.42	32.72	2.50	31.61	2.57	31.04	2.63	30.59	2.67	29.48	2.74
	40		36	35.52	2.49	34.52	2.57	33.42	2.64	32.84	2.70	32.38	2.74	31.21	2.82
	45		41	37.67	2.57	36.77	2.66	35.69	2.74	35.10	2.79	34.62	2.83	33.37	2.92
	47		43	38.54	2.61	37.67	2.70	36.60	2.78	36.00	2.83	35.52	2.87	34.23	2.95
	50		46	38.65	2.59	37.87	2.67	36.93	2.75	36.40	2.79	35.97	2.82	34.75	2.90
	55		51	38.84	2.57	38.19	2.63	37.49	2.69	37.06	2.72	36.71	2.75	35.63	2.81
	60		56	39.03	2.54	38.52	2.59	38.04	2.63	37.72	2.65	37.46	2.67	36.50	2.71
	63		59	39.14	2.52	38.71	2.56	38.38	2.60	38.12	2.61	37.91	2.62	37.02	2.66
	68		64	39.25	2.51	38.91	2.54	38.71	2.57	38.52	2.57	38.36	2.58	37.56	2.60
	7 + 12 + 15		-4	-4.4	7.31	1.95	6.99	2.02	6.66	2.05	6.61	2.06	6.58	2.07	6.25
		0	-0.4	11.06	1.99	10.31	2.06	10.21	2.09	10.08	2.11	9.98	2.13	9.54	2.20
		5	4.5	15.52	2.03	14.76	2.11	14.43	2.15	14.20	2.18	14.02	2.20	13.45	2.27
		10	9	18.51	2.08	17.75	2.15	17.26	2.21	16.96	2.24	16.73	2.26	16.07	2.33
		17	15	21.79	2.14	21.03	2.21	20.37	2.28	20.00	2.31	19.71	2.34	18.95	2.41
		20	19	23.78	2.18	23.02	2.25	22.25	2.32	21.84	2.37	21.51	2.40	20.69	2.47
		25	23	27.11	2.25	26.30	2.32	25.39	2.40	24.91	2.45	24.52	2.49	23.60	2.56
		30	28	30.45	2.33	29.51	2.41	28.50	2.48	27.97	2.54	27.56	2.58	26.54	2.65
		35	32	33.80	2.42	32.72	2.50	31.61	2.57	31.04	2.63	30.59	2.67	29.48	2.74
		40	36	35.52	2.49	34.52	2.57	33.42	2.64	32.84	2.70	32.38	2.74	31.21	2.82
		45	41	37.67	2.57	36.77	2.66	35.69	2.74	35.10	2.79	34.62	2.83	33.37	2.92
		47	43	38.54	2.61	37.67	2.70	36.60	2.78	36.00	2.83	35.52	2.87	34.23	2.95
		50	46	38.65	2.59	37.87	2.67	36.93	2.75	36.40	2.79	35.97	2.82	34.75	2.90
		55	51	38.84	2.57	38.19	2.63	37.49	2.69	37.06	2.72	36.71	2.75	35.63	2.81
60		56	39.03	2.54	38.52	2.59	38.04	2.63	37.72	2.65	37.46	2.67	36.50	2.71	
63		59	39.14	2.52	38.71	2.56	38.38	2.60	38.12	2.61	37.91	2.62	37.02	2.66	
68		64	39.25	2.51	38.91	2.54	38.71	2.57	38.52	2.57	38.36	2.58	37.56	2.60	

TC = Total Capacity (kBtu/h).

PI = Power Input (kW).

Nominal capacity as rated: 0 ft. above sea level with 25 ft. of refrigerant piping.
0 ft. level difference between outdoor and indoor units.

Nominal heating capacity rating obtained with air entering the indoor unit at 70°F dry bulb (DB) and 60°F wet bulb (WB), and outdoor ambient conditions of 47°F dry bulb (DB) and 43°F wet bulb (WB).

Multi F and Multi F MAX Heat Pump System Engineering Manual

Table 214: LMU36CHV Heating Capacity Table —Non-Ducted Indoor Unit (continued).

Connected Indoor Units	Combination Capacity Index	Outdoor Air Temp.		Indoor Air Temp. °F DB											
		°F DB	°F WB	61		64		68		70		72		75	
				TC	PI	TC	PI	TC	PI	TC	PI	TC	PI	TC	PI
Three (3) Non-Ducted Indoor Units	9 + 9 + 18	-4	-4.4	7.31	1.95	6.99	2.02	6.66	2.05	6.61	2.06	6.58	2.07	6.25	2.15
		0	-0.4	11.06	1.99	10.31	2.06	10.21	2.09	10.08	2.11	9.98	2.13	9.54	2.20
		5	4.5	15.52	2.03	14.76	2.11	14.43	2.15	14.20	2.18	14.02	2.20	13.45	2.27
		10	9	18.51	2.08	17.75	2.15	17.26	2.21	16.96	2.24	16.73	2.26	16.07	2.33
		17	15	21.79	2.14	21.03	2.21	20.37	2.28	20.00	2.31	19.71	2.34	18.95	2.41
		20	19	23.78	2.18	23.02	2.25	22.25	2.32	21.84	2.37	21.51	2.40	20.69	2.47
		25	23	27.11	2.25	26.30	2.32	25.39	2.40	24.91	2.45	24.52	2.49	23.60	2.56
		30	28	30.45	2.33	29.51	2.41	28.50	2.48	27.97	2.54	27.56	2.58	26.54	2.65
		35	32	33.80	2.42	32.72	2.50	31.61	2.57	31.04	2.63	30.59	2.67	29.48	2.74
		40	36	35.52	2.49	34.52	2.57	33.42	2.64	32.84	2.70	32.38	2.74	31.21	2.82
		45	41	37.67	2.57	36.77	2.66	35.69	2.74	35.10	2.79	34.62	2.83	33.37	2.92
		47	43	38.54	2.61	37.67	2.70	36.60	2.78	36.00	2.83	35.52	2.87	34.23	2.95
		50	46	38.65	2.59	37.87	2.67	36.93	2.75	36.40	2.79	35.97	2.82	34.75	2.90
		55	51	38.84	2.57	38.19	2.63	37.49	2.69	37.06	2.72	36.71	2.75	35.63	2.81
		60	56	39.03	2.54	38.52	2.59	38.04	2.63	37.72	2.65	37.46	2.67	36.50	2.71
		63	59	39.14	2.52	38.71	2.56	38.38	2.60	38.12	2.61	37.91	2.62	37.02	2.66
		68	64	39.25	2.51	38.91	2.54	38.71	2.57	38.52	2.57	38.36	2.58	37.56	2.60
		9 + 12 + 15	-4	-4.4	7.31	1.95	6.99	2.02	6.66	2.05	6.61	2.06	6.58	2.07	6.25
	0		-0.4	11.06	1.99	10.31	2.06	10.21	2.09	10.08	2.11	9.98	2.13	9.54	2.20
	5		4.5	15.52	2.03	14.76	2.11	14.43	2.15	14.20	2.18	14.02	2.20	13.45	2.27
	10		9	18.51	2.08	17.75	2.15	17.26	2.21	16.96	2.24	16.73	2.26	16.07	2.33
	17		15	21.79	2.14	21.03	2.21	20.37	2.28	20.00	2.31	19.71	2.34	18.95	2.41
	20		19	23.78	2.18	23.02	2.25	22.25	2.32	21.84	2.37	21.51	2.40	20.69	2.47
	25		23	27.11	2.25	26.30	2.32	25.39	2.40	24.91	2.45	24.52	2.49	23.60	2.56
	30		28	30.45	2.33	29.51	2.41	28.50	2.48	27.97	2.54	27.56	2.58	26.54	2.65
	35		32	33.80	2.42	32.72	2.50	31.61	2.57	31.04	2.63	30.59	2.67	29.48	2.74
	40		36	35.52	2.49	34.52	2.57	33.42	2.64	32.84	2.70	32.38	2.74	31.21	2.82
	45		41	37.67	2.57	36.77	2.66	35.69	2.74	35.10	2.79	34.62	2.83	33.37	2.92
	47		43	38.54	2.61	37.67	2.70	36.60	2.78	36.00	2.83	35.52	2.87	34.23	2.95
	50		46	38.65	2.59	37.87	2.67	36.93	2.75	36.40	2.79	35.97	2.82	34.75	2.90
	55		51	38.84	2.57	38.19	2.63	37.49	2.69	37.06	2.72	36.71	2.75	35.63	2.81
	60		56	39.03	2.54	38.52	2.59	38.04	2.63	37.72	2.65	37.46	2.67	36.50	2.71
	63		59	39.14	2.52	38.71	2.56	38.38	2.60	38.12	2.61	37.91	2.62	37.02	2.66
	68		64	39.25	2.51	38.91	2.54	38.71	2.57	38.52	2.57	38.36	2.58	37.56	2.60
	12 + 12 + 12		-4	-4.4	7.31	1.95	6.99	2.02	6.66	2.05	6.61	2.06	6.58	2.07	6.25
		0	-0.4	11.06	1.99	10.31	2.06	10.21	2.09	10.08	2.11	9.98	2.13	9.54	2.20
		5	4.5	15.52	2.03	14.76	2.11	14.43	2.15	14.20	2.18	14.02	2.20	13.45	2.27
		10	9	18.51	2.08	17.75	2.15	17.26	2.21	16.96	2.24	16.73	2.26	16.07	2.33
		17	15	21.79	2.14	21.03	2.21	20.37	2.28	20.00	2.31	19.71	2.34	18.95	2.41
		20	19	23.78	2.18	23.02	2.25	22.25	2.32	21.84	2.37	21.51	2.40	20.69	2.47
		25	23	27.11	2.25	26.30	2.32	25.39	2.40	24.91	2.45	24.52	2.49	23.60	2.56
		30	28	30.45	2.33	29.51	2.41	28.50	2.48	27.97	2.54	27.56	2.58	26.54	2.65
		35	32	33.80	2.42	32.72	2.50	31.61	2.57	31.04	2.63	30.59	2.67	29.48	2.74
		40	36	35.52	2.49	34.52	2.57	33.42	2.64	32.84	2.70	32.38	2.74	31.21	2.82
		45	41	37.67	2.57	36.77	2.66	35.69	2.74	35.10	2.79	34.62	2.83	33.37	2.92
		47	43	38.54	2.61	37.67	2.70	36.60	2.78	36.00	2.83	35.52	2.87	34.23	2.95
		50	46	38.65	2.59	37.87	2.67	36.93	2.75	36.40	2.79	35.97	2.82	34.75	2.90
		55	51	38.84	2.57	38.19	2.63	37.49	2.69	37.06	2.72	36.71	2.75	35.63	2.81
60		56	39.03	2.54	38.52	2.59	38.04	2.63	37.72	2.65	37.46	2.67	36.50	2.71	
63		59	39.14	2.52	38.71	2.56	38.38	2.60	38.12	2.61	37.91	2.62	37.02	2.66	
68		64	39.25	2.51	38.91	2.54	38.71	2.57	38.52	2.57	38.36	2.58	37.56	2.60	

TC = Total Capacity (kBtu/h).

PI = Power Input (kW).

Nominal capacity as rated: 0 ft. above sea level with 25 ft. of refrigerant piping.
0 ft. level difference between outdoor and indoor units.

Nominal heating capacity rating obtained with air entering the indoor unit at 70°F dry bulb (DB) and 60°F wet bulb (WB), and outdoor ambient conditions of 47°F dry bulb (DB) and 43°F wet bulb (WB).

PERFORMANCE DATA

Heating Capacity Tables

MULTI F
MULTI F MAX

Table 215: LMU36CHV Heating Capacity Table —Non-Ducted Indoor Unit (continued).

Connected Indoor Units	Combination Capacity Index	Outdoor Air Temp.		Indoor Air Temp. °F DB											
		°F DB	°F WB	61		64		68		70		72		75	
				TC	PI	TC	PI	TC	PI	TC	PI	TC	PI	TC	PI
Three (3) Non-Ducted Indoor Units	7 + 12 + 18	-4	-4.4	7.31	1.95	6.99	2.02	6.66	2.05	6.61	2.06	6.58	2.07	6.25	2.15
		0	-0.4	11.06	1.99	10.31	2.06	10.21	2.09	10.08	2.11	9.98	2.13	9.54	2.20
		5	4.5	15.52	2.03	14.76	2.11	14.43	2.15	14.20	2.18	14.02	2.20	13.45	2.27
		10	9	18.51	2.08	17.75	2.15	17.26	2.21	16.96	2.24	16.73	2.26	16.07	2.33
		17	15	21.79	2.14	21.03	2.21	20.37	2.28	20.00	2.31	19.71	2.34	18.95	2.41
		20	19	23.78	2.18	23.02	2.25	22.25	2.32	21.84	2.37	21.51	2.40	20.69	2.47
		25	23	27.11	2.25	26.30	2.32	25.39	2.40	24.91	2.45	24.52	2.49	23.60	2.56
		30	28	30.45	2.33	29.51	2.41	28.50	2.48	27.97	2.54	27.56	2.58	26.54	2.65
		35	32	33.80	2.42	32.72	2.50	31.61	2.57	31.04	2.63	30.59	2.67	29.48	2.74
		40	36	35.52	2.49	34.52	2.57	33.42	2.64	32.84	2.70	32.38	2.74	31.21	2.82
		45	41	37.67	2.57	36.77	2.66	35.69	2.74	35.10	2.79	34.62	2.83	33.37	2.92
		47	43	38.54	2.61	37.67	2.70	36.60	2.78	36.00	2.83	35.52	2.87	34.23	2.95
		50	46	38.65	2.59	37.87	2.67	36.93	2.75	36.40	2.79	35.97	2.82	34.75	2.90
		55	51	38.84	2.57	38.19	2.63	37.49	2.69	37.06	2.72	36.71	2.75	35.63	2.81
		60	56	39.03	2.54	38.52	2.59	38.04	2.63	37.72	2.65	37.46	2.67	36.50	2.71
		63	59	39.14	2.52	38.71	2.56	38.38	2.60	38.12	2.61	37.91	2.62	37.02	2.66
		68	64	39.25	2.51	38.91	2.54	38.71	2.57	38.52	2.57	38.36	2.58	37.56	2.60
		7 + 15 + 15	-4	-4.4	7.31	1.95	6.99	2.02	6.66	2.05	6.61	2.06	6.58	2.07	6.25
	0	-0.4	11.06	1.99	10.31	2.06	10.21	2.09	10.08	2.11	9.98	2.13	9.54	2.20	
	5	4.5	15.52	2.03	14.76	2.11	14.43	2.15	14.20	2.18	14.02	2.20	13.45	2.27	
	10	9	18.51	2.08	17.75	2.15	17.26	2.21	16.96	2.24	16.73	2.26	16.07	2.33	
	17	15	21.79	2.14	21.03	2.21	20.37	2.28	20.00	2.31	19.71	2.34	18.95	2.41	
	20	19	23.78	2.18	23.02	2.25	22.25	2.32	21.84	2.37	21.51	2.40	20.69	2.47	
	25	23	27.11	2.25	26.30	2.32	25.39	2.40	24.91	2.45	24.52	2.49	23.60	2.56	
	30	28	30.45	2.33	29.51	2.41	28.50	2.48	27.97	2.54	27.56	2.58	26.54	2.65	
	35	32	33.80	2.42	32.72	2.50	31.61	2.57	31.04	2.63	30.59	2.67	29.48	2.74	
	40	36	35.52	2.49	34.52	2.57	33.42	2.64	32.84	2.70	32.38	2.74	31.21	2.82	
	45	41	37.67	2.57	36.77	2.66	35.69	2.74	35.10	2.79	34.62	2.83	33.37	2.92	
	47	43	38.54	2.61	37.67	2.70	36.60	2.78	36.00	2.83	35.52	2.87	34.23	2.95	
	50	46	38.65	2.59	37.87	2.67	36.93	2.75	36.40	2.79	35.97	2.82	34.75	2.90	
	55	51	38.84	2.57	38.19	2.63	37.49	2.69	37.06	2.72	36.71	2.75	35.63	2.81	
	60	56	39.03	2.54	38.52	2.59	38.04	2.63	37.72	2.65	37.46	2.67	36.50	2.71	
	63	59	39.14	2.52	38.71	2.56	38.38	2.60	38.12	2.61	37.91	2.62	37.02	2.66	
	68	64	39.25	2.51	38.91	2.54	38.71	2.57	38.52	2.57	38.36	2.58	37.56	2.60	
	7 + 7 + 24	-4	-4.4	7.31	1.95	6.99	2.02	6.66	2.05	6.61	2.06	6.58	2.07	6.25	2.15
	0	-0.4	11.06	1.99	10.31	2.06	10.21	2.09	10.08	2.11	9.98	2.13	9.54	2.20	
	5	4.5	15.52	2.03	14.76	2.11	14.43	2.15	14.20	2.18	14.02	2.20	13.45	2.27	
	10	9	18.51	2.08	17.75	2.15	17.26	2.21	16.96	2.24	16.73	2.26	16.07	2.33	
	17	15	21.79	2.14	21.03	2.21	20.37	2.28	20.00	2.31	19.71	2.34	18.95	2.41	
	20	19	23.78	2.18	23.02	2.25	22.25	2.32	21.84	2.37	21.51	2.40	20.69	2.47	
	25	23	27.11	2.25	26.30	2.32	25.39	2.40	24.91	2.45	24.52	2.49	23.60	2.56	
	30	28	30.45	2.33	29.51	2.41	28.50	2.48	27.97	2.54	27.56	2.58	26.54	2.65	
	35	32	33.80	2.42	32.72	2.50	31.61	2.57	31.04	2.63	30.59	2.67	29.48	2.74	
	40	36	35.52	2.49	34.52	2.57	33.42	2.64	32.84	2.70	32.38	2.74	31.21	2.82	
	45	41	37.67	2.57	36.77	2.66	35.69	2.74	35.10	2.79	34.62	2.83	33.37	2.92	
	47	43	38.54	2.61	37.67	2.70	36.60	2.78	36.00	2.83	35.52	2.87	34.23	2.95	
	50	46	38.65	2.59	37.87	2.67	36.93	2.75	36.40	2.79	35.97	2.82	34.75	2.90	
	55	51	38.84	2.57	38.19	2.63	37.49	2.69	37.06	2.72	36.71	2.75	35.63	2.81	
60	56	39.03	2.54	38.52	2.59	38.04	2.63	37.72	2.65	37.46	2.67	36.50	2.71		
63	59	39.14	2.52	38.71	2.56	38.38	2.60	38.12	2.61	37.91	2.62	37.02	2.66		
68	64	39.25	2.51	38.91	2.54	38.71	2.57	38.52	2.57	38.36	2.58	37.56	2.60		

TC = Total Capacity (kBtu/h).

PI = Power Input (kW).

Nominal capacity as rated: 0 ft. above sea level with 25 ft. of refrigerant piping.
0 ft. level difference between outdoor and indoor units.

Nominal heating capacity rating obtained with air entering the indoor unit at 70°F dry bulb (DB) and 60°F wet bulb (WB), and outdoor ambient conditions of 47°F dry bulb (DB) and 43°F wet bulb (WB).



Table 216: LMU36CHV Heating Capacity Table—Non-Ducted Indoor Unit (continued).

Connected Indoor Units	Combination Capacity Index	Outdoor Air Temp.		Indoor Air Temp. °F DB											
		°F DB	°F WB	61		64		68		70		72		75	
				TC	PI	TC	PI	TC	PI	TC	PI	TC	PI	TC	PI
Three (3) Non-Ducted Indoor Units	9 + 12 + 18	-4	-4.4	7.31	1.95	6.99	2.02	6.66	2.05	6.61	2.06	6.58	2.07	6.25	2.15
		0	-0.4	11.06	1.99	10.31	2.06	10.21	2.09	10.08	2.11	9.98	2.13	9.54	2.20
		5	4.5	15.52	2.03	14.76	2.11	14.43	2.15	14.20	2.18	14.02	2.20	13.45	2.27
		10	9	18.51	2.08	17.75	2.15	17.26	2.21	16.96	2.24	16.73	2.26	16.07	2.33
		17	15	21.79	2.14	21.03	2.21	20.37	2.28	20.00	2.31	19.71	2.34	18.95	2.41
		20	19	23.78	2.18	23.02	2.25	22.25	2.32	21.84	2.37	21.51	2.40	20.69	2.47
		25	23	27.11	2.25	26.30	2.32	25.39	2.40	24.91	2.45	24.52	2.49	23.60	2.56
		30	28	30.45	2.33	29.51	2.41	28.50	2.48	27.97	2.54	27.56	2.58	26.54	2.65
		35	32	33.80	2.42	32.72	2.50	31.61	2.57	31.04	2.63	30.59	2.67	29.48	2.74
		40	36	35.52	2.49	34.52	2.57	33.42	2.64	32.84	2.70	32.38	2.74	31.21	2.82
		45	41	37.67	2.57	36.77	2.66	35.69	2.74	35.10	2.79	34.62	2.83	33.37	2.92
		47	43	38.54	2.61	37.67	2.70	36.60	2.78	36.00	2.83	35.52	2.87	34.23	2.95
		50	46	38.65	2.59	37.87	2.67	36.93	2.75	36.40	2.79	35.97	2.82	34.75	2.90
		55	51	38.84	2.57	38.19	2.63	37.49	2.69	37.06	2.72	36.71	2.75	35.63	2.81
		60	56	39.03	2.54	38.52	2.59	38.04	2.63	37.72	2.65	37.46	2.67	36.50	2.71
		63	59	39.14	2.52	38.71	2.56	38.38	2.60	38.12	2.61	37.91	2.62	37.02	2.66
		68	64	39.25	2.51	38.91	2.54	38.71	2.57	38.52	2.57	38.36	2.58	37.56	2.60
		9 + 15 + 15	-4	-4.4	7.31	1.95	6.99	2.02	6.66	2.05	6.61	2.06	6.58	2.07	6.25
	0		-0.4	11.06	1.99	10.31	2.06	10.21	2.09	10.08	2.11	9.98	2.13	9.54	2.20
	5		4.5	15.52	2.03	14.76	2.11	14.43	2.15	14.20	2.18	14.02	2.20	13.45	2.27
	10		9	18.51	2.08	17.75	2.15	17.26	2.21	16.96	2.24	16.73	2.26	16.07	2.33
	17		15	21.79	2.14	21.03	2.21	20.37	2.28	20.00	2.31	19.71	2.34	18.95	2.41
	20		19	23.78	2.18	23.02	2.25	22.25	2.32	21.84	2.37	21.51	2.40	20.69	2.47
	25		23	27.11	2.25	26.30	2.32	25.39	2.40	24.91	2.45	24.52	2.49	23.60	2.56
	30		28	30.45	2.33	29.51	2.41	28.50	2.48	27.97	2.54	27.56	2.58	26.54	2.65
	35		32	33.80	2.42	32.72	2.50	31.61	2.57	31.04	2.63	30.59	2.67	29.48	2.74
	40		36	35.52	2.49	34.52	2.57	33.42	2.64	32.84	2.70	32.38	2.74	31.21	2.82
	45		41	37.67	2.57	36.77	2.66	35.69	2.74	35.10	2.79	34.62	2.83	33.37	2.92
	47		43	38.54	2.61	37.67	2.70	36.60	2.78	36.00	2.83	35.52	2.87	34.23	2.95
	50		46	38.65	2.59	37.87	2.67	36.93	2.75	36.40	2.79	35.97	2.82	34.75	2.90
	55		51	38.84	2.57	38.19	2.63	37.49	2.69	37.06	2.72	36.71	2.75	35.63	2.81
	60		56	39.03	2.54	38.52	2.59	38.04	2.63	37.72	2.65	37.46	2.67	36.50	2.71
	63		59	39.14	2.52	38.71	2.56	38.38	2.60	38.12	2.61	37.91	2.62	37.02	2.66
	68		64	39.25	2.51	38.91	2.54	38.71	2.57	38.52	2.57	38.36	2.58	37.56	2.60
	12 + 12 + 15		-4	-4.4	7.31	1.95	6.99	2.02	6.66	2.05	6.61	2.06	6.58	2.07	6.25
		0	-0.4	11.06	1.99	10.31	2.06	10.21	2.09	10.08	2.11	9.98	2.13	9.54	2.20
		5	4.5	15.52	2.03	14.76	2.11	14.43	2.15	14.20	2.18	14.02	2.20	13.45	2.27
		10	9	18.51	2.08	17.75	2.15	17.26	2.21	16.96	2.24	16.73	2.26	16.07	2.33
		17	15	21.79	2.14	21.03	2.21	20.37	2.28	20.00	2.31	19.71	2.34	18.95	2.41
		20	19	23.78	2.18	23.02	2.25	22.25	2.32	21.84	2.37	21.51	2.40	20.69	2.47
		25	23	27.11	2.25	26.30	2.32	25.39	2.40	24.91	2.45	24.52	2.49	23.60	2.56
		30	28	30.45	2.33	29.51	2.41	28.50	2.48	27.97	2.54	27.56	2.58	26.54	2.65
		35	32	33.80	2.42	32.72	2.50	31.61	2.57	31.04	2.63	30.59	2.67	29.48	2.74
		40	36	35.52	2.49	34.52	2.57	33.42	2.64	32.84	2.70	32.38	2.74	31.21	2.82
		45	41	37.67	2.57	36.77	2.66	35.69	2.74	35.10	2.79	34.62	2.83	33.37	2.92
		47	43	38.54	2.61	37.67	2.70	36.60	2.78	36.00	2.83	35.52	2.87	34.23	2.95
		50	46	38.65	2.59	37.87	2.67	36.93	2.75	36.40	2.79	35.97	2.82	34.75	2.90
		55	51	38.84	2.57	38.19	2.63	37.49	2.69	37.06	2.72	36.71	2.75	35.63	2.81
60		56	39.03	2.54	38.52	2.59	38.04	2.63	37.72	2.65	37.46	2.67	36.50	2.71	
63		59	39.14	2.52	38.71	2.56	38.38	2.60	38.12	2.61	37.91	2.62	37.02	2.66	
68		64	39.25	2.51	38.91	2.54	38.71	2.57	38.52	2.57	38.36	2.58	37.56	2.60	

TC = Total Capacity (kBtu/h).

PI = Power Input (kW).

Nominal capacity as rated: 0 ft. above sea level with 25 ft. of refrigerant piping.
0 ft. level difference between outdoor and indoor units.

Nominal heating capacity rating obtained with air entering the indoor unit at 70°F dry bulb (DB) and 60°F wet bulb (WB), and outdoor ambient conditions of 47°F dry bulb (DB) and 43°F wet bulb (WB).

PERFORMANCE DATA

Heating Capacity Tables

MULTI F
MULTI F MAX

Table 217: LMU36CHV Heating Capacity Table —Non-Ducted Indoor Unit (continued).

Connected Indoor Units	Combination Capacity Index	Outdoor Air Temp.		Indoor Air Temp. °F DB											
		°F DB	°F WB	61		64		68		70		72		75	
				TC	PI	TC	PI	TC	PI	TC	PI	TC	PI	TC	PI
Three (3) Non-Ducted Indoor Units	7 + 9 + 24	-4	-4.4	7.31	1.95	6.99	2.02	6.66	2.05	6.61	2.06	6.58	2.07	6.25	2.15
		0	-0.4	11.06	1.99	10.31	2.06	10.21	2.09	10.08	2.11	9.98	2.13	9.54	2.20
		5	4.5	15.52	2.03	14.76	2.11	14.43	2.15	14.20	2.18	14.02	2.20	13.45	2.27
		10	9	18.51	2.08	17.75	2.15	17.26	2.21	16.96	2.24	16.73	2.26	16.07	2.33
		17	15	21.79	2.14	21.03	2.21	20.37	2.28	20.00	2.31	19.71	2.34	18.95	2.41
		20	19	23.78	2.18	23.02	2.25	22.25	2.32	21.84	2.37	21.51	2.40	20.69	2.47
		25	23	27.11	2.25	26.30	2.32	25.39	2.40	24.91	2.45	24.52	2.49	23.60	2.56
		30	28	30.45	2.33	29.51	2.41	28.50	2.48	27.97	2.54	27.56	2.58	26.54	2.65
		35	32	33.80	2.42	32.72	2.50	31.61	2.57	31.04	2.63	30.59	2.67	29.48	2.74
		40	36	35.52	2.49	34.52	2.57	33.42	2.64	32.84	2.70	32.38	2.74	31.21	2.82
		45	41	37.67	2.57	36.77	2.66	35.69	2.74	35.10	2.79	34.62	2.83	33.37	2.92
		47	43	38.54	2.61	37.67	2.70	36.60	2.78	36.00	2.83	35.52	2.87	34.23	2.95
		50	46	38.65	2.59	37.87	2.67	36.93	2.75	36.40	2.79	35.97	2.82	34.75	2.90
		55	51	38.84	2.57	38.19	2.63	37.49	2.69	37.06	2.72	36.71	2.75	35.63	2.81
		60	56	39.03	2.54	38.52	2.59	38.04	2.63	37.72	2.65	37.46	2.67	36.50	2.71
		63	59	39.14	2.52	38.71	2.56	38.38	2.60	38.12	2.61	37.91	2.62	37.02	2.66
		68	64	39.25	2.51	38.91	2.54	38.71	2.57	38.52	2.57	38.36	2.58	37.56	2.60
		7 + 15 + 18	-4	-4.4	7.31	1.95	6.99	2.02	6.66	2.05	6.61	2.06	6.58	2.07	6.25
	0		-0.4	11.06	1.99	10.31	2.06	10.21	2.09	10.08	2.11	9.98	2.13	9.54	2.20
	5		4.5	15.52	2.03	14.76	2.11	14.43	2.15	14.20	2.18	14.02	2.20	13.45	2.27
	10		9	18.51	2.08	17.75	2.15	17.26	2.21	16.96	2.24	16.73	2.26	16.07	2.33
	17		15	21.79	2.14	21.03	2.21	20.37	2.28	20.00	2.31	19.71	2.34	18.95	2.41
	20		19	23.78	2.18	23.02	2.25	22.25	2.32	21.84	2.37	21.51	2.40	20.69	2.47
	25		23	27.11	2.25	26.30	2.32	25.39	2.40	24.91	2.45	24.52	2.49	23.60	2.56
	30		28	30.45	2.33	29.51	2.41	28.50	2.48	27.97	2.54	27.56	2.58	26.54	2.65
	35		32	33.80	2.42	32.72	2.50	31.61	2.57	31.04	2.63	30.59	2.67	29.48	2.74
	40		36	35.52	2.49	34.52	2.57	33.42	2.64	32.84	2.70	32.38	2.74	31.21	2.82
	45		41	37.67	2.57	36.77	2.66	35.69	2.74	35.10	2.79	34.62	2.83	33.37	2.92
	47		43	38.54	2.61	37.67	2.70	36.60	2.78	36.00	2.83	35.52	2.87	34.23	2.95
	50		46	38.65	2.59	37.87	2.67	36.93	2.75	36.40	2.79	35.97	2.82	34.75	2.90
	55		51	38.84	2.57	38.19	2.63	37.49	2.69	37.06	2.72	36.71	2.75	35.63	2.81
	60		56	39.03	2.54	38.52	2.59	38.04	2.63	37.72	2.65	37.46	2.67	36.50	2.71
	63		59	39.14	2.52	38.71	2.56	38.38	2.60	38.12	2.61	37.91	2.62	37.02	2.66
	68		64	39.25	2.51	38.91	2.54	38.71	2.57	38.52	2.57	38.36	2.58	37.56	2.60
	9 + 9 + 24		-4	-4.4	7.31	1.95	6.99	2.02	6.66	2.05	6.61	2.06	6.58	2.07	6.25
		0	-0.4	11.06	1.99	10.31	2.06	10.21	2.09	10.08	2.11	9.98	2.13	9.54	2.20
		5	4.5	15.52	2.03	14.76	2.11	14.43	2.15	14.20	2.18	14.02	2.20	13.45	2.27
		10	9	18.51	2.08	17.75	2.15	17.26	2.21	16.96	2.24	16.73	2.26	16.07	2.33
		17	15	21.79	2.14	21.03	2.21	20.37	2.28	20.00	2.31	19.71	2.34	18.95	2.41
		20	19	23.78	2.18	23.02	2.25	22.25	2.32	21.84	2.37	21.51	2.40	20.69	2.47
		25	23	27.11	2.25	26.30	2.32	25.39	2.40	24.91	2.45	24.52	2.49	23.60	2.56
		30	28	30.45	2.33	29.51	2.41	28.50	2.48	27.97	2.54	27.56	2.58	26.54	2.65
		35	32	33.80	2.42	32.72	2.50	31.61	2.57	31.04	2.63	30.59	2.67	29.48	2.74
		40	36	35.52	2.49	34.52	2.57	33.42	2.64	32.84	2.70	32.38	2.74	31.21	2.82
		45	41	37.67	2.57	36.77	2.66	35.69	2.74	35.10	2.79	34.62	2.83	33.37	2.92
		47	43	38.54	2.61	37.67	2.70	36.60	2.78	36.00	2.83	35.52	2.87	34.23	2.95
		50	46	38.65	2.59	37.87	2.67	36.93	2.75	36.40	2.79	35.97	2.82	34.75	2.90
		55	51	38.84	2.57	38.19	2.63	37.49	2.69	37.06	2.72	36.71	2.75	35.63	2.81
60		56	39.03	2.54	38.52	2.59	38.04	2.63	37.72	2.65	37.46	2.67	36.50	2.71	
63		59	39.14	2.52	38.71	2.56	38.38	2.60	38.12	2.61	37.91	2.62	37.02	2.66	
68		64	39.25	2.51	38.91	2.54	38.71	2.57	38.52	2.57	38.36	2.58	37.56	2.60	

TC = Total Capacity (kBtu/h).

PI = Power Input (kW).

Nominal capacity as rated: 0 ft. above sea level with 25 ft. of refrigerant piping.
0 ft. level difference between outdoor and indoor units.

Nominal heating capacity rating obtained with air entering the indoor unit at 70°F dry bulb (DB) and 60°F wet bulb (WB), and outdoor ambient conditions of 47°F dry bulb (DB) and 43°F wet bulb (WB).



Table 218: LMU36CHV Heating Capacity Table — Non-Ducted Indoor Units (continued).

Connected Indoor Units	Combination Capacity Index	Outdoor Air Temp.		Indoor Air Temp. °F DB											
		°F DB	°F WB	61		64		68		70		72		75	
				TC	PI	TC	PI	TC	PI	TC	PI	TC	PI	TC	PI
Three (3) Non-Ducted Indoor Units	9 + 15 + 18	-4	-4.4	7.31	1.95	6.99	2.02	6.66	2.05	6.61	2.06	6.58	2.07	6.25	2.15
		0	-0.4	11.06	1.99	10.31	2.06	10.21	2.09	10.08	2.11	9.98	2.13	9.54	2.20
		5	4.5	15.52	2.03	14.76	2.11	14.43	2.15	14.20	2.18	14.02	2.20	13.45	2.27
		10	9	18.51	2.08	17.75	2.15	17.26	2.21	16.96	2.24	16.73	2.26	16.07	2.33
		17	15	21.79	2.14	21.03	2.21	20.37	2.28	20.00	2.31	19.71	2.34	18.95	2.41
		20	19	23.78	2.18	23.02	2.25	22.25	2.32	21.84	2.37	21.51	2.40	20.69	2.47
		25	23	27.11	2.25	26.30	2.32	25.39	2.40	24.91	2.45	24.52	2.49	23.60	2.56
		30	28	30.45	2.33	29.51	2.41	28.50	2.48	27.97	2.54	27.56	2.58	26.54	2.65
		35	32	33.80	2.42	32.72	2.50	31.61	2.57	31.04	2.63	30.59	2.67	29.48	2.74
		40	36	35.52	2.49	34.52	2.57	33.42	2.64	32.84	2.70	32.38	2.74	31.21	2.82
		45	41	37.67	2.57	36.77	2.66	35.69	2.74	35.10	2.79	34.62	2.83	33.37	2.92
		47	43	38.54	2.61	37.67	2.70	36.60	2.78	36.00	2.83	35.52	2.87	34.23	2.95
		50	46	38.65	2.59	37.87	2.67	36.93	2.75	36.40	2.79	35.97	2.82	34.75	2.90
		55	51	38.84	2.57	38.19	2.63	37.49	2.69	37.06	2.72	36.71	2.75	35.63	2.81
		60	56	39.03	2.54	38.52	2.59	38.04	2.63	37.72	2.65	37.46	2.67	36.50	2.71
		63	59	39.14	2.52	38.71	2.56	38.38	2.60	38.12	2.61	37.91	2.62	37.02	2.66
		68	64	39.25	2.51	38.91	2.54	38.71	2.57	38.52	2.57	38.36	2.58	37.56	2.60
		12 + 12 + 18	-4	-4.4	7.31	1.95	6.99	2.02	6.66	2.05	6.61	2.06	6.58	2.07	6.25
	0		-0.4	11.06	1.99	10.31	2.06	10.21	2.09	10.08	2.11	9.98	2.13	9.54	2.20
	5		4.5	15.52	2.03	14.76	2.11	14.43	2.15	14.20	2.18	14.02	2.20	13.45	2.27
	10		9	18.51	2.08	17.75	2.15	17.26	2.21	16.96	2.24	16.73	2.26	16.07	2.33
	17		15	21.79	2.14	21.03	2.21	20.37	2.28	20.00	2.31	19.71	2.34	18.95	2.41
	20		19	23.78	2.18	23.02	2.25	22.25	2.32	21.84	2.37	21.51	2.40	20.69	2.47
	25		23	27.11	2.25	26.30	2.32	25.39	2.40	24.91	2.45	24.52	2.49	23.60	2.56
	30		28	30.45	2.33	29.51	2.41	28.50	2.48	27.97	2.54	27.56	2.58	26.54	2.65
	35		32	33.80	2.42	32.72	2.50	31.61	2.57	31.04	2.63	30.59	2.67	29.48	2.74
	40		36	35.52	2.49	34.52	2.57	33.42	2.64	32.84	2.70	32.38	2.74	31.21	2.82
	45		41	37.67	2.57	36.77	2.66	35.69	2.74	35.10	2.79	34.62	2.83	33.37	2.92
	47		43	38.54	2.61	37.67	2.70	36.60	2.78	36.00	2.83	35.52	2.87	34.23	2.95
	50		46	38.65	2.59	37.87	2.67	36.93	2.75	36.40	2.79	35.97	2.82	34.75	2.90
	55		51	38.84	2.57	38.19	2.63	37.49	2.69	37.06	2.72	36.71	2.75	35.63	2.81
	60		56	39.03	2.54	38.52	2.59	38.04	2.63	37.72	2.65	37.46	2.67	36.50	2.71
	63		59	39.14	2.52	38.71	2.56	38.38	2.60	38.12	2.61	37.91	2.62	37.02	2.66
	68		64	39.25	2.51	38.91	2.54	38.71	2.57	38.52	2.57	38.36	2.58	37.56	2.60
	12 + 15 + 15		-4	-4.4	7.31	1.95	6.99	2.02	6.66	2.05	6.61	2.06	6.58	2.07	6.25
		0	-0.4	11.06	1.99	10.31	2.06	10.21	2.09	10.08	2.11	9.98	2.13	9.54	2.20
		5	4.5	15.52	2.03	14.76	2.11	14.43	2.15	14.20	2.18	14.02	2.20	13.45	2.27
		10	9	18.51	2.08	17.75	2.15	17.26	2.21	16.96	2.24	16.73	2.26	16.07	2.33
		17	15	21.79	2.14	21.03	2.21	20.37	2.28	20.00	2.31	19.71	2.34	18.95	2.41
		20	19	23.78	2.18	23.02	2.25	22.25	2.32	21.84	2.37	21.51	2.40	20.69	2.47
		25	23	27.11	2.25	26.30	2.32	25.39	2.40	24.91	2.45	24.52	2.49	23.60	2.56
		30	28	30.45	2.33	29.51	2.41	28.50	2.48	27.97	2.54	27.56	2.58	26.54	2.65
		35	32	33.80	2.42	32.72	2.50	31.61	2.57	31.04	2.63	30.59	2.67	29.48	2.74
		40	36	35.52	2.49	34.52	2.57	33.42	2.64	32.84	2.70	32.38	2.74	31.21	2.82
		45	41	37.67	2.57	36.77	2.66	35.69	2.74	35.10	2.79	34.62	2.83	33.37	2.92
		47	43	38.54	2.61	37.67	2.70	36.60	2.78	36.00	2.83	35.52	2.87	34.23	2.95
		50	46	38.65	2.59	37.87	2.67	36.93	2.75	36.40	2.79	35.97	2.82	34.75	2.90
		55	51	38.84	2.57	38.19	2.63	37.49	2.69	37.06	2.72	36.71	2.75	35.63	2.81
		60	56	39.03	2.54	38.52	2.59	38.04	2.63	37.72	2.65	37.46	2.67	36.50	2.71
		63	59	39.14	2.52	38.71	2.56	38.38	2.60	38.12	2.61	37.91	2.62	37.02	2.66
	68	64	39.25	2.51	38.91	2.54	38.71	2.57	38.52	2.57	38.36	2.58	37.56	2.60	

TC = Total Capacity (kBtu/h).

PI = Power Input (kW).

Nominal capacity as rated: 0 ft. above sea level with 25 ft. of refrigerant piping.
0 ft. level difference between outdoor and indoor units.

Nominal heating capacity rating obtained with air entering the indoor unit at 70°F dry bulb (DB) and 60°F wet bulb (WB), and outdoor ambient conditions of 47°F dry bulb (DB) and 43°F wet bulb (WB).

PERFORMANCE DATA

Heating Capacity Tables

MULTI F
MULTI F MAX

Table 219: LMU36CHV Heating Capacity Table — Non-Ducted Indoor Units (continued).

Connected Indoor Units	Combination Capacity Index	Outdoor Air Temp.		Indoor Air Temp. °F DB											
		°F DB	°F WB	61		64		68		70		72		75	
				TC	PI	TC	PI	TC	PI	TC	PI	TC	PI	TC	PI
Three (3) Non-Ducted Indoor Units	7 + 12 + 24	-4	-4.4	7.31	1.95	6.99	2.02	6.66	2.05	6.61	2.06	6.58	2.07	6.25	2.15
		0	-0.4	11.06	1.99	10.31	2.06	10.21	2.09	10.08	2.11	9.98	2.13	9.54	2.20
		5	4.5	15.52	2.03	14.76	2.11	14.43	2.15	14.20	2.18	14.02	2.20	13.45	2.27
		10	9	18.51	2.08	17.75	2.15	17.26	2.21	16.96	2.24	16.73	2.26	16.07	2.33
		17	15	21.79	2.14	21.03	2.21	20.37	2.28	20.00	2.31	19.71	2.34	18.95	2.41
		20	19	23.78	2.18	23.02	2.25	22.25	2.32	21.84	2.37	21.51	2.40	20.69	2.47
		25	23	27.11	2.25	26.30	2.32	25.39	2.40	24.91	2.45	24.52	2.49	23.60	2.56
		30	28	30.45	2.33	29.51	2.41	28.50	2.48	27.97	2.54	27.56	2.58	26.54	2.65
		35	32	33.80	2.42	32.72	2.50	31.61	2.57	31.04	2.63	30.59	2.67	29.48	2.74
		40	36	35.52	2.49	34.52	2.57	33.42	2.64	32.84	2.70	32.38	2.74	31.21	2.82
		45	41	37.67	2.57	36.77	2.66	35.69	2.74	35.10	2.79	34.62	2.83	33.37	2.92
		47	43	38.54	2.61	37.67	2.70	36.60	2.78	36.00	2.83	35.52	2.87	34.23	2.95
		50	46	38.65	2.59	37.87	2.67	36.93	2.75	36.40	2.79	35.97	2.82	34.75	2.90
		55	51	38.84	2.57	38.19	2.63	37.49	2.69	37.06	2.72	36.71	2.75	35.63	2.81
		60	56	39.03	2.54	38.52	2.59	38.04	2.63	37.72	2.65	37.46	2.67	36.50	2.71
		63	59	39.14	2.52	38.71	2.56	38.38	2.60	38.12	2.61	37.91	2.62	37.02	2.66
		68	64	39.25	2.51	38.91	2.54	38.71	2.57	38.52	2.57	38.36	2.58	37.56	2.60
		7 + 18 + 18	-4	-4.4	7.31	1.95	6.99	2.02	6.66	2.05	6.61	2.06	6.58	2.07	6.25
	0		-0.4	11.06	1.99	10.31	2.06	10.21	2.09	10.08	2.11	9.98	2.13	9.54	2.20
	5		4.5	15.52	2.03	14.76	2.11	14.43	2.15	14.20	2.18	14.02	2.20	13.45	2.27
	10		9	18.51	2.08	17.75	2.15	17.26	2.21	16.96	2.24	16.73	2.26	16.07	2.33
	17		15	21.79	2.14	21.03	2.21	20.37	2.28	20.00	2.31	19.71	2.34	18.95	2.41
	20		19	23.78	2.18	23.02	2.25	22.25	2.32	21.84	2.37	21.51	2.40	20.69	2.47
	25		23	27.11	2.25	26.30	2.32	25.39	2.40	24.91	2.45	24.52	2.49	23.60	2.56
	30		28	30.45	2.33	29.51	2.41	28.50	2.48	27.97	2.54	27.56	2.58	26.54	2.65
	35		32	33.80	2.42	32.72	2.50	31.61	2.57	31.04	2.63	30.59	2.67	29.48	2.74
	40		36	35.52	2.49	34.52	2.57	33.42	2.64	32.84	2.70	32.38	2.74	31.21	2.82
	45		41	37.67	2.57	36.77	2.66	35.69	2.74	35.10	2.79	34.62	2.83	33.37	2.92
	47		43	38.54	2.61	37.67	2.70	36.60	2.78	36.00	2.83	35.52	2.87	34.23	2.95
	50		46	38.65	2.59	37.87	2.67	36.93	2.75	36.40	2.79	35.97	2.82	34.75	2.90
	55		51	38.84	2.57	38.19	2.63	37.49	2.69	37.06	2.72	36.71	2.75	35.63	2.81
	60		56	39.03	2.54	38.52	2.59	38.04	2.63	37.72	2.65	37.46	2.67	36.50	2.71
	63		59	39.14	2.52	38.71	2.56	38.38	2.60	38.12	2.61	37.91	2.62	37.02	2.66
	68		64	39.25	2.51	38.91	2.54	38.71	2.57	38.52	2.57	38.36	2.58	37.56	2.60
	9 + 12 + 24		-4	-4.4	7.31	1.95	6.99	2.02	6.66	2.05	6.61	2.06	6.58	2.07	6.25
		0	-0.4	11.06	1.99	10.31	2.06	10.21	2.09	10.08	2.11	9.98	2.13	9.54	2.20
		5	4.5	15.52	2.03	14.76	2.11	14.43	2.15	14.20	2.18	14.02	2.20	13.45	2.27
		10	9	18.51	2.08	17.75	2.15	17.26	2.21	16.96	2.24	16.73	2.26	16.07	2.33
		17	15	21.79	2.14	21.03	2.21	20.37	2.28	20.00	2.31	19.71	2.34	18.95	2.41
		20	19	23.78	2.18	23.02	2.25	22.25	2.32	21.84	2.37	21.51	2.40	20.69	2.47
		25	23	27.11	2.25	26.30	2.32	25.39	2.40	24.91	2.45	24.52	2.49	23.60	2.56
		30	28	30.45	2.33	29.51	2.41	28.50	2.48	27.97	2.54	27.56	2.58	26.54	2.65
		35	32	33.80	2.42	32.72	2.50	31.61	2.57	31.04	2.63	30.59	2.67	29.48	2.74
		40	36	35.52	2.49	34.52	2.57	33.42	2.64	32.84	2.70	32.38	2.74	31.21	2.82
		45	41	37.67	2.57	36.77	2.66	35.69	2.74	35.10	2.79	34.62	2.83	33.37	2.92
		47	43	38.54	2.61	37.67	2.70	36.60	2.78	36.00	2.83	35.52	2.87	34.23	2.95
		50	46	38.65	2.59	37.87	2.67	36.93	2.75	36.40	2.79	35.97	2.82	34.75	2.90
		55	51	38.84	2.57	38.19	2.63	37.49	2.69	37.06	2.72	36.71	2.75	35.63	2.81
60		56	39.03	2.54	38.52	2.59	38.04	2.63	37.72	2.65	37.46	2.67	36.50	2.71	
63		59	39.14	2.52	38.71	2.56	38.38	2.60	38.12	2.61	37.91	2.62	37.02	2.66	
68		64	39.25	2.51	38.91	2.54	38.71	2.57	38.52	2.57	38.36	2.58	37.56	2.60	

TC = Total Capacity (kBtu/h).

PI = Power Input (kW).

Nominal capacity as rated: 0 ft. above sea level with 25 ft. of refrigerant piping.
0 ft. level difference between outdoor and indoor units.

Nominal heating capacity rating obtained with air entering the indoor unit at 70°F dry bulb (DB) and 60°F wet bulb (WB), and outdoor ambient conditions of 47°F dry bulb (DB) and 43°F wet bulb (WB).



Table 220: LMU36CHV Heating Capacity Table — Non-Ducted Indoor Units (continued).

Connected Indoor Units	Combination Capacity Index	Outdoor Air Temp.		Indoor Air Temp. °F DB											
		°F DB	°F WB	61		64		68		70		72		75	
				TC	PI	TC	PI	TC	PI	TC	PI	TC	PI	TC	PI
Three (3) Non-Ducted Indoor Units	9 + 18 + 18	-4	-4.4	7.31	1.95	6.99	2.02	6.66	2.05	6.61	2.06	6.58	2.07	6.25	2.15
		0	-0.4	11.06	1.99	10.31	2.06	10.21	2.09	10.08	2.11	9.98	2.13	9.54	2.20
		5	4.5	15.52	2.03	14.76	2.11	14.43	2.15	14.20	2.18	14.02	2.20	13.45	2.27
		10	9	18.51	2.08	17.75	2.15	17.26	2.21	16.96	2.24	16.73	2.26	16.07	2.33
		17	15	21.79	2.14	21.03	2.21	20.37	2.28	20.00	2.31	19.71	2.34	18.95	2.41
		20	19	23.78	2.18	23.02	2.25	22.25	2.32	21.84	2.37	21.51	2.40	20.69	2.47
		25	23	27.11	2.25	26.30	2.32	25.39	2.40	24.91	2.45	24.52	2.49	23.60	2.56
		30	28	30.45	2.33	29.51	2.41	28.50	2.48	27.97	2.54	27.56	2.58	26.54	2.65
		35	32	33.80	2.42	32.72	2.50	31.61	2.57	31.04	2.63	30.59	2.67	29.48	2.74
		40	36	35.52	2.49	34.52	2.57	33.42	2.64	32.84	2.70	32.38	2.74	31.21	2.82
		45	41	37.67	2.57	36.77	2.66	35.69	2.74	35.10	2.79	34.62	2.83	33.37	2.92
		47	43	38.54	2.61	37.67	2.70	36.60	2.78	36.00	2.83	35.52	2.87	34.23	2.95
	50	46	38.65	2.59	37.87	2.67	36.93	2.75	36.40	2.79	35.97	2.82	34.75	2.90	
	55	51	38.84	2.57	38.19	2.63	37.49	2.69	37.06	2.72	36.71	2.75	35.63	2.81	
	60	56	39.03	2.54	38.52	2.59	38.04	2.63	37.72	2.65	37.46	2.67	36.50	2.71	
	63	59	39.14	2.52	38.71	2.56	38.38	2.60	38.12	2.61	37.91	2.62	37.02	2.66	
	68	64	39.25	2.51	38.91	2.54	38.71	2.57	38.52	2.57	38.36	2.58	37.56	2.60	
	12 + 15 + 18	-4	-4.4	7.31	1.95	6.99	2.02	6.66	2.05	6.61	2.06	6.58	2.07	6.25	2.15
		0	-0.4	11.06	1.99	10.31	2.06	10.21	2.09	10.08	2.11	9.98	2.13	9.54	2.20
		5	4.5	15.52	2.03	14.76	2.11	14.43	2.15	14.20	2.18	14.02	2.20	13.45	2.27
		10	9	18.51	2.08	17.75	2.15	17.26	2.21	16.96	2.24	16.73	2.26	16.07	2.33
		17	15	21.79	2.14	21.03	2.21	20.37	2.28	20.00	2.31	19.71	2.34	18.95	2.41
		20	19	23.78	2.18	23.02	2.25	22.25	2.32	21.84	2.37	21.51	2.40	20.69	2.47
		25	23	27.11	2.25	26.30	2.32	25.39	2.40	24.91	2.45	24.52	2.49	23.60	2.56
		30	28	30.45	2.33	29.51	2.41	28.50	2.48	27.97	2.54	27.56	2.58	26.54	2.65
		35	32	33.80	2.42	32.72	2.50	31.61	2.57	31.04	2.63	30.59	2.67	29.48	2.74
		40	36	35.52	2.49	34.52	2.57	33.42	2.64	32.84	2.70	32.38	2.74	31.21	2.82
		45	41	37.67	2.57	36.77	2.66	35.69	2.74	35.10	2.79	34.62	2.83	33.37	2.92
		47	43	38.54	2.61	37.67	2.70	36.60	2.78	36.00	2.83	35.52	2.87	34.23	2.95
	50	46	38.65	2.59	37.87	2.67	36.93	2.75	36.40	2.79	35.97	2.82	34.75	2.90	
	55	51	38.84	2.57	38.19	2.63	37.49	2.69	37.06	2.72	36.71	2.75	35.63	2.81	
	60	56	39.03	2.54	38.52	2.59	38.04	2.63	37.72	2.65	37.46	2.67	36.50	2.71	
	63	59	39.14	2.52	38.71	2.56	38.38	2.60	38.12	2.61	37.91	2.62	37.02	2.66	
	68	64	39.25	2.51	38.91	2.54	38.71	2.57	38.52	2.57	38.36	2.58	37.56	2.60	
	15 + 15 + 15	-4	-4.4	7.31	1.95	6.99	2.02	6.66	2.05	6.61	2.06	6.58	2.07	6.25	2.15
		0	-0.4	11.06	1.99	10.31	2.06	10.21	2.09	10.08	2.11	9.98	2.13	9.54	2.20
		5	4.5	15.52	2.03	14.76	2.11	14.43	2.15	14.20	2.18	14.02	2.20	13.45	2.27
		10	9	18.51	2.08	17.75	2.15	17.26	2.21	16.96	2.24	16.73	2.26	16.07	2.33
		17	15	21.79	2.14	21.03	2.21	20.37	2.28	20.00	2.31	19.71	2.34	18.95	2.41
		20	19	23.78	2.18	23.02	2.25	22.25	2.32	21.84	2.37	21.51	2.40	20.69	2.47
		25	23	27.11	2.25	26.30	2.32	25.39	2.40	24.91	2.45	24.52	2.49	23.60	2.56
		30	28	30.45	2.33	29.51	2.41	28.50	2.48	27.97	2.54	27.56	2.58	26.54	2.65
		35	32	33.80	2.42	32.72	2.50	31.61	2.57	31.04	2.63	30.59	2.67	29.48	2.74
		40	36	35.52	2.49	34.52	2.57	33.42	2.64	32.84	2.70	32.38	2.74	31.21	2.82
		45	41	37.67	2.57	36.77	2.66	35.69	2.74	35.10	2.79	34.62	2.83	33.37	2.92
		47	43	38.54	2.61	37.67	2.70	36.60	2.78	36.00	2.83	35.52	2.87	34.23	2.95
	50	46	38.65	2.59	37.87	2.67	36.93	2.75	36.40	2.79	35.97	2.82	34.75	2.90	
	55	51	38.84	2.57	38.19	2.63	37.49	2.69	37.06	2.72	36.71	2.75	35.63	2.81	
60	56	39.03	2.54	38.52	2.59	38.04	2.63	37.72	2.65	37.46	2.67	36.50	2.71		
63	59	39.14	2.52	38.71	2.56	38.38	2.60	38.12	2.61	37.91	2.62	37.02	2.66		
68	64	39.25	2.51	38.91	2.54	38.71	2.57	38.52	2.57	38.36	2.58	37.56	2.60		

TC = Total Capacity (kBtu/h).

PI = Power Input (kW).

Nominal capacity as rated: 0 ft. above sea level with 25 ft. of refrigerant piping.
0 ft. level difference between outdoor and indoor units.

Nominal heating capacity rating obtained with air entering the indoor unit at 70°F dry bulb (DB) and 60°F wet bulb (WB), and outdoor ambient conditions of 47°F dry bulb (DB) and 43°F wet bulb (WB).

Multi F Outdoor Unit Data

PERFORMANCE DATA

Heating Capacity Tables

MULTI F
MULTI F MAX

Table 221: LMU36CHV Heating Capacity Table — Non-Ducted Indoor Units (continued).

Connected Indoor Units	Combination Capacity Index	Outdoor Air Temp.		Indoor Air Temp. °F DB											
		°F DB	°F WB	61		64		68		70		72		75	
				TC	PI	TC	PI	TC	PI	TC	PI	TC	PI	TC	PI
Three (3) Non-Ducted Indoor Units	7 + 15 + 24	-4	-4.4	7.31	1.95	6.99	2.02	6.66	2.05	6.61	2.06	6.58	2.07	6.25	2.15
		0	-0.4	11.06	1.99	10.31	2.06	10.21	2.09	10.08	2.11	9.98	2.13	9.54	2.20
		5	4.5	15.52	2.03	14.76	2.11	14.43	2.15	14.20	2.18	14.02	2.20	13.45	2.27
		10	9	18.51	2.08	17.75	2.15	17.26	2.21	16.96	2.24	16.73	2.26	16.07	2.33
		17	15	21.79	2.14	21.03	2.21	20.37	2.28	20.00	2.31	19.71	2.34	18.95	2.41
		20	19	23.78	2.18	23.02	2.25	22.25	2.32	21.84	2.37	21.51	2.40	20.69	2.47
		25	23	27.11	2.25	26.30	2.32	25.39	2.40	24.91	2.45	24.52	2.49	23.60	2.56
		30	28	30.45	2.33	29.51	2.41	28.50	2.48	27.97	2.54	27.56	2.58	26.54	2.65
		35	32	33.80	2.42	32.72	2.50	31.61	2.57	31.04	2.63	30.59	2.67	29.48	2.74
		40	36	35.52	2.49	34.52	2.57	33.42	2.64	32.84	2.70	32.38	2.74	31.21	2.82
		45	41	37.67	2.57	36.77	2.66	35.69	2.74	35.10	2.79	34.62	2.83	33.37	2.92
		47	43	38.54	2.61	37.67	2.70	36.60	2.78	36.00	2.83	35.52	2.87	34.23	2.95
		50	46	38.65	2.59	37.87	2.67	36.93	2.75	36.40	2.79	35.97	2.82	34.75	2.90
		55	51	38.84	2.57	38.19	2.63	37.49	2.69	37.06	2.72	36.71	2.75	35.63	2.81
		60	56	39.03	2.54	38.52	2.59	38.04	2.63	37.72	2.65	37.46	2.67	36.50	2.71
		63	59	39.14	2.52	38.71	2.56	38.38	2.60	38.12	2.61	37.91	2.62	37.02	2.66
		68	64	39.25	2.51	38.91	2.54	38.71	2.57	38.52	2.57	38.36	2.58	37.56	2.60
		9 + 15 + 24	-4	-4.4	7.31	1.95	6.99	2.02	6.66	2.05	6.61	2.06	6.58	2.07	6.25
	0		-0.4	11.06	1.99	10.31	2.06	10.21	2.09	10.08	2.11	9.98	2.13	9.54	2.20
	5		4.5	15.52	2.03	14.76	2.11	14.43	2.15	14.20	2.18	14.02	2.20	13.45	2.27
	10		9	18.51	2.08	17.75	2.15	17.26	2.21	16.96	2.24	16.73	2.26	16.07	2.33
	17		15	21.79	2.14	21.03	2.21	20.37	2.28	20.00	2.31	19.71	2.34	18.95	2.41
	20		19	23.78	2.18	23.02	2.25	22.25	2.32	21.84	2.37	21.51	2.40	20.69	2.47
	25		23	27.11	2.25	26.30	2.32	25.39	2.40	24.91	2.45	24.52	2.49	23.60	2.56
	30		28	30.45	2.33	29.51	2.41	28.50	2.48	27.97	2.54	27.56	2.58	26.54	2.65
	35		32	33.80	2.42	32.72	2.50	31.61	2.57	31.04	2.63	30.59	2.67	29.48	2.74
	40		36	35.52	2.49	34.52	2.57	33.42	2.64	32.84	2.70	32.38	2.74	31.21	2.82
	45		41	37.67	2.57	36.77	2.66	35.69	2.74	35.10	2.79	34.62	2.83	33.37	2.92
	47		43	38.54	2.61	37.67	2.70	36.60	2.78	36.00	2.83	35.52	2.87	34.23	2.95
	50		46	38.65	2.59	37.87	2.67	36.93	2.75	36.40	2.79	35.97	2.82	34.75	2.90
	55		51	38.84	2.57	38.19	2.63	37.49	2.69	37.06	2.72	36.71	2.75	35.63	2.81
	60		56	39.03	2.54	38.52	2.59	38.04	2.63	37.72	2.65	37.46	2.67	36.50	2.71
	63		59	39.14	2.52	38.71	2.56	38.38	2.60	38.12	2.61	37.91	2.62	37.02	2.66
	68		64	39.25	2.51	38.91	2.54	38.71	2.57	38.52	2.57	38.36	2.58	37.56	2.60
	12 + 12 + 24		-4	-4.4	7.31	1.95	6.99	2.02	6.66	2.05	6.61	2.06	6.58	2.07	6.25
		0	-0.4	11.06	1.99	10.31	2.06	10.21	2.09	10.08	2.11	9.98	2.13	9.54	2.20
		5	4.5	15.52	2.03	14.76	2.11	14.43	2.15	14.20	2.18	14.02	2.20	13.45	2.27
		10	9	18.51	2.08	17.75	2.15	17.26	2.21	16.96	2.24	16.73	2.26	16.07	2.33
		17	15	21.79	2.14	21.03	2.21	20.37	2.28	20.00	2.31	19.71	2.34	18.95	2.41
		20	19	23.78	2.18	23.02	2.25	22.25	2.32	21.84	2.37	21.51	2.40	20.69	2.47
		25	23	27.11	2.25	26.30	2.32	25.39	2.40	24.91	2.45	24.52	2.49	23.60	2.56
		30	28	30.45	2.33	29.51	2.41	28.50	2.48	27.97	2.54	27.56	2.58	26.54	2.65
		35	32	33.80	2.42	32.72	2.50	31.61	2.57	31.04	2.63	30.59	2.67	29.48	2.74
		40	36	35.52	2.49	34.52	2.57	33.42	2.64	32.84	2.70	32.38	2.74	31.21	2.82
		45	41	37.67	2.57	36.77	2.66	35.69	2.74	35.10	2.79	34.62	2.83	33.37	2.92
		47	43	38.54	2.61	37.67	2.70	36.60	2.78	36.00	2.83	35.52	2.87	34.23	2.95
		50	46	38.65	2.59	37.87	2.67	36.93	2.75	36.40	2.79	35.97	2.82	34.75	2.90
		55	51	38.84	2.57	38.19	2.63	37.49	2.69	37.06	2.72	36.71	2.75	35.63	2.81
60		56	39.03	2.54	38.52	2.59	38.04	2.63	37.72	2.65	37.46	2.67	36.50	2.71	
63		59	39.14	2.52	38.71	2.56	38.38	2.60	38.12	2.61	37.91	2.62	37.02	2.66	
68		64	39.25	2.51	38.91	2.54	38.71	2.57	38.52	2.57	38.36	2.58	37.56	2.60	

TC = Total Capacity (kBtu/h).

PI = Power Input (kW).

Nominal capacity as rated: 0 ft. above sea level with 25 ft. of refrigerant piping.
0 ft. level difference between outdoor and indoor units.

Nominal heating capacity rating obtained with air entering the indoor unit at 70°F dry bulb (DB) and 60°F wet bulb (WB), and outdoor ambient conditions of 47°F dry bulb (DB) and 43°F wet bulb (WB).

Table 222: LMU36CHV Heating Capacity Table — Non-Ducted Indoor Units (continued).

Connected Indoor Units	Combination Capacity Index	Outdoor Air Temp.		Indoor Air Temp. °F DB												
		°F DB	°F WB	61		64		68		70		72		75		
				TC	PI	TC	PI	TC	PI	TC	PI	TC	PI	TC	PI	
Three (3) Non-Ducted Indoor Units	12 + 18 + 18	-4	-4.4	7.31	1.95	6.99	2.02	6.66	2.05	6.61	2.06	6.58	2.07	6.25	2.15	
		0	-0.4	11.06	1.99	10.31	2.06	10.21	2.09	10.08	2.11	9.98	2.13	9.54	2.20	
		5	4.5	15.52	2.03	14.76	2.11	14.43	2.15	14.20	2.18	14.02	2.20	13.45	2.27	
		10	9	18.51	2.08	17.75	2.15	17.26	2.21	16.96	2.24	16.73	2.26	16.07	2.33	
		17	15	21.79	2.14	21.03	2.21	20.37	2.28	20.00	2.31	19.71	2.34	18.95	2.41	
		20	19	23.78	2.18	23.02	2.25	22.25	2.32	21.84	2.37	21.51	2.40	20.69	2.47	
		25	23	27.11	2.25	26.30	2.32	25.39	2.40	24.91	2.45	24.52	2.49	23.60	2.56	
		30	28	30.45	2.33	29.51	2.41	28.50	2.48	27.97	2.54	27.56	2.58	26.54	2.65	
		35	32	33.80	2.42	32.72	2.50	31.61	2.57	31.04	2.63	30.59	2.67	29.48	2.74	
		40	36	35.52	2.49	34.52	2.57	33.42	2.64	32.84	2.70	32.38	2.74	31.21	2.82	
		45	41	37.67	2.57	36.77	2.66	35.69	2.74	35.10	2.79	34.62	2.83	33.37	2.92	
		47	43	38.54	2.61	37.67	2.70	36.60	2.78	36.00	2.83	35.52	2.87	34.23	2.95	
		50	46	38.65	2.59	37.87	2.67	36.93	2.75	36.40	2.79	35.97	2.82	34.75	2.90	
		55	51	38.84	2.57	38.19	2.63	37.49	2.69	37.06	2.72	36.71	2.75	35.63	2.81	
		60	56	39.03	2.54	38.52	2.59	38.04	2.63	37.72	2.65	37.46	2.67	36.50	2.71	
		63	59	39.14	2.52	38.71	2.56	38.38	2.60	38.12	2.61	37.91	2.62	37.02	2.66	
		68	64	39.25	2.51	38.91	2.54	38.71	2.57	38.52	2.57	38.36	2.58	37.56	2.60	
		40	15 + 15 + 18	-4	-4.4	7.31	1.95	6.99	2.02	6.66	2.05	6.61	2.06	6.58	2.07	6.25
	0	-0.4		11.06	1.99	10.31	2.06	10.21	2.09	10.08	2.11	9.98	2.13	9.54	2.20	
	5	4.5		15.52	2.03	14.76	2.11	14.43	2.15	14.20	2.18	14.02	2.20	13.45	2.27	
	10	9		18.51	2.08	17.75	2.15	17.26	2.21	16.96	2.24	16.73	2.26	16.07	2.33	
	17	15		21.79	2.14	21.03	2.21	20.37	2.28	20.00	2.31	19.71	2.34	18.95	2.41	
	20	19		23.78	2.18	23.02	2.25	22.25	2.32	21.84	2.37	21.51	2.40	20.69	2.47	
	25	23		27.11	2.25	26.30	2.32	25.39	2.40	24.91	2.45	24.52	2.49	23.60	2.56	
	30	28		30.45	2.33	29.51	2.41	28.50	2.48	27.97	2.54	27.56	2.58	26.54	2.65	
	35	32		33.80	2.42	32.72	2.50	31.61	2.57	31.04	2.63	30.59	2.67	29.48	2.74	
	40	36		35.52	2.49	34.52	2.57	33.42	2.64	32.84	2.70	32.38	2.74	31.21	2.82	
	45	41		37.67	2.57	36.77	2.66	35.69	2.74	35.10	2.79	34.62	2.83	33.37	2.92	
	47	43		38.54	2.61	37.67	2.70	36.60	2.78	36.00	2.83	35.52	2.87	34.23	2.95	
	50	46		38.65	2.59	37.87	2.67	36.93	2.75	36.40	2.79	35.97	2.82	34.75	2.90	
	55	51		38.84	2.57	38.19	2.63	37.49	2.69	37.06	2.72	36.71	2.75	35.63	2.81	
	60	56		39.03	2.54	38.52	2.59	38.04	2.63	37.72	2.65	37.46	2.67	36.50	2.71	
	63	59		39.14	2.52	38.71	2.56	38.38	2.60	38.12	2.61	37.91	2.62	37.02	2.66	
	68	64		39.25	2.51	38.91	2.54	38.71	2.57	38.52	2.57	38.36	2.58	37.56	2.60	
	Four (4) Non-Ducted Indoor Units	7 + 7 + 7 + 7		-4	-4.4	6.26	1.80	5.98	1.87	5.70	1.89	5.66	1.90	5.63	1.91	5.35
			0	-0.4	9.47	1.83	8.82	1.90	8.74	1.93	8.63	1.95	8.54	1.96	8.16	2.03
5			4.5	13.28	1.88	12.63	1.94	12.35	1.99	12.15	2.01	12.00	2.03	11.51	2.09	
10			9	15.83	1.92	15.18	1.98	14.77	2.03	14.51	2.06	14.31	2.08	13.75	2.15	
17			15	18.64	1.97	17.99	2.04	17.43	2.10	17.11	2.13	16.86	2.16	16.21	2.22	
20			19	20.34	2.01	19.70	2.07	19.04	2.14	18.69	2.18	18.40	2.21	17.70	2.27	
25			23	23.19	2.08	22.50	2.14	21.72	2.22	21.31	2.26	20.98	2.30	20.19	2.36	
30			28	26.05	2.15	25.25	2.22	24.38	2.29	23.93	2.34	23.58	2.38	22.71	2.44	
35			32	28.92	2.23	28.00	2.31	27.04	2.37	26.56	2.42	26.17	2.47	25.22	2.53	
40			36	30.39	2.29	29.54	2.37	28.60	2.44	28.10	2.49	27.70	2.53	26.70	2.60	
45			41	32.23	2.37	31.46	2.45	30.54	2.53	30.03	2.58	29.62	2.61	28.55	2.69	
47			43	32.97	2.41	32.23	2.49	31.31	2.57	30.80	2.61	30.39	2.65	29.29	2.72	
50			46	33.07	2.39	32.40	2.46	31.60	2.53	31.14	2.57	30.77	2.60	29.73	2.67	
55			51	33.23	2.37	32.68	2.42	32.07	2.48	31.70	2.51	31.41	2.53	30.48	2.59	
60			56	33.39	2.34	32.95	2.39	32.55	2.43	32.27	2.45	32.05	2.46	31.23	2.50	
63			59	33.49	2.33	33.12	2.36	32.83	2.40	32.61	2.41	32.43	2.42	31.68	2.45	
68			64	33.58	2.31	33.29	2.34	33.12	2.37	32.95	2.37	32.82	2.38	32.13	2.40	

TC = Total Capacity (kBtu/h).

PI = Power Input (kW).

Nominal capacity as rated: 0 ft. above sea level with 25 ft. of refrigerant piping.
0 ft. level difference between outdoor and indoor units.

Nominal heating capacity rating obtained with air entering the indoor unit at 70°F dry bulb (DB) and 60°F wet bulb (WB), and outdoor ambient conditions of 47°F dry bulb (DB) and 43°F wet bulb (WB).

PERFORMANCE DATA

Heating Capacity Tables

MULTI F MULTI F MAX

Table 223: LMU36CHV Heating Capacity Table — Non-Ducted Indoor Units (continued).

Connected Indoor Units	Combination Capacity Index	Outdoor Air Temp.		Indoor Air Temp. °F DB											
		°F DB	°F WB	61		64		68		70		72		75	
				TC	PI	TC	PI	TC	PI	TC	PI	TC	PI	TC	PI
Four (4) Non-Ducted Indoor Units	7 + 7 + 7 + 9	-4	-4.4	6.70	1.85	6.40	1.92	6.10	1.95	6.06	1.96	6.03	1.97	5.73	2.04
		0	-0.4	10.14	1.89	9.45	1.96	9.36	1.99	9.24	2.01	9.15	2.02	8.75	2.09
		5	4.5	14.23	1.93	13.53	2.00	13.23	2.05	13.02	2.07	12.85	2.09	12.33	2.16
		10	9	16.96	1.98	16.27	2.04	15.82	2.10	15.55	2.12	15.33	2.15	14.73	2.22
		17	15	19.97	2.03	19.28	2.10	18.67	2.16	18.33	2.20	18.06	2.23	17.37	2.29
		20	19	21.80	2.07	21.10	2.13	20.40	2.21	20.02	2.25	19.72	2.28	18.97	2.34
		25	23	24.85	2.14	24.11	2.20	23.27	2.29	22.83	2.33	22.48	2.37	21.63	2.43
		30	28	27.92	2.22	27.05	2.29	26.12	2.36	25.64	2.41	25.26	2.46	24.33	2.52
		35	32	30.98	2.30	30.00	2.38	28.97	2.44	28.45	2.50	28.04	2.54	27.02	2.60
		40	36	32.56	2.36	31.65	2.45	30.64	2.51	30.11	2.57	29.68	2.61	28.61	2.68
		45	41	34.53	2.45	33.71	2.53	32.72	2.61	32.17	2.65	31.74	2.69	30.59	2.77
		47	43	35.32	2.48	34.53	2.56	33.55	2.64	33.00	2.69	32.56	2.73	31.38	2.81
		50	46	35.43	2.46	34.71	2.54	33.85	2.61	33.36	2.65	32.97	2.68	31.86	2.76
		55	51	35.60	2.44	35.01	2.50	34.36	2.56	33.97	2.59	33.65	2.61	32.66	2.67
		60	56	35.77	2.41	35.31	2.46	34.87	2.50	34.58	2.52	34.34	2.54	33.46	2.58
		63	59	35.88	2.40	35.49	2.44	35.18	2.47	34.94	2.48	34.75	2.49	33.94	2.52
		68	64	35.98	2.38	35.67	2.41	35.49	2.44	35.31	2.45	35.16	2.45	34.43	2.47
		0	-4.4	7.15	1.88	6.83	1.96	6.51	1.98	6.47	2.00	6.43	2.01	6.11	2.08
	5	4.5	15.18	1.97	14.44	2.04	14.11	2.08	13.89	2.11	13.71	2.13	13.15	2.20	
	10	9	18.10	2.01	17.35	2.08	16.88	2.14	16.59	2.16	16.36	2.19	15.71	2.26	
	17	15	21.31	2.07	20.56	2.14	19.92	2.20	19.56	2.24	19.27	2.27	18.53	2.34	
	20	19	23.25	2.11	22.51	2.17	21.76	2.25	21.35	2.29	21.03	2.32	20.23	2.39	
	25	23	26.50	2.18	25.72	2.24	24.82	2.33	24.35	2.37	23.98	2.41	23.08	2.48	
	30	28	29.78	2.26	28.85	2.33	27.86	2.41	27.35	2.46	26.94	2.50	25.95	2.56	
	35	32	33.05	2.34	32.00	2.42	30.91	2.48	30.35	2.54	29.91	2.59	28.83	2.65	
	40	36	34.73	2.41	33.76	2.49	32.68	2.56	32.11	2.61	31.66	2.66	30.51	2.73	
	45	41	36.84	2.49	35.96	2.58	34.90	2.66	34.32	2.70	33.85	2.74	32.62	2.82	
	47	43	37.68	2.53	36.84	2.61	35.78	2.69	35.20	2.74	34.73	2.78	33.47	2.86	
	50	46	37.79	2.51	37.03	2.59	36.11	2.66	35.59	2.70	35.17	2.73	33.98	2.81	
	55	51	37.97	2.48	37.34	2.55	36.66	2.61	36.23	2.64	35.90	2.66	34.84	2.72	
	60	56	38.16	2.46	37.66	2.51	37.20	2.55	36.88	2.57	36.63	2.59	35.69	2.63	
	63	59	38.27	2.44	37.85	2.48	37.53	2.52	37.27	2.53	37.06	2.54	36.20	2.57	
	68	64	38.38	2.43	38.04	2.46	37.85	2.49	37.66	2.49	37.51	2.50	36.72	2.52	
	0	-4.4	7.31	1.88	6.99	1.96	6.66	1.98	6.61	2.00	6.58	2.01	6.25	2.08	
	5	4.5	15.52	1.97	14.76	2.04	14.43	2.08	14.20	2.11	14.02	2.13	13.45	2.20	
	10	9	18.51	2.01	17.75	2.08	17.26	2.14	16.96	2.16	16.73	2.19	16.07	2.26	
	17	15	21.79	2.07	21.03	2.14	20.37	2.20	20.00	2.24	19.71	2.27	18.95	2.34	
	20	19	23.78	2.11	23.02	2.17	22.25	2.25	21.84	2.29	21.51	2.32	20.69	2.39	
	25	23	27.11	2.18	26.30	2.24	25.39	2.33	24.91	2.37	24.52	2.41	23.60	2.48	
	30	28	30.45	2.26	29.51	2.33	28.50	2.41	27.97	2.46	27.56	2.50	26.54	2.56	
	35	32	33.80	2.34	32.72	2.42	31.61	2.48	31.04	2.54	30.59	2.59	29.48	2.65	
	40	36	35.52	2.41	34.52	2.49	33.42	2.56	32.84	2.61	32.38	2.66	31.21	2.73	
	45	41	37.67	2.49	36.77	2.58	35.69	2.66	35.10	2.70	34.62	2.74	33.37	2.82	
	47	43	38.54	2.53	37.67	2.61	36.60	2.69	36.00	2.74	35.52	2.78	34.23	2.86	
	50	46	38.65	2.51	37.87	2.59	36.93	2.66	36.40	2.70	35.97	2.73	34.75	2.81	
	55	51	38.84	2.48	38.19	2.55	37.49	2.61	37.06	2.64	36.71	2.66	35.63	2.72	
	60	56	39.03	2.46	38.52	2.51	38.04	2.55	37.72	2.57	37.46	2.59	36.50	2.63	
	63	59	39.14	2.44	38.71	2.48	38.38	2.52	38.12	2.53	37.91	2.54	37.02	2.57	
68	64	39.25	2.43	38.91	2.46	38.71	2.49	38.52	2.49	38.36	2.50	37.56	2.52		

TC = Total Capacity (kBtu/h).

PI = Power Input (kW).

Nominal capacity as rated: 0 ft. above sea level with 25 ft. of refrigerant piping.
0 ft. level difference between outdoor and indoor units.

Nominal heating capacity rating obtained with air entering the indoor unit at 70°F dry bulb (DB) and 60°F wet bulb (WB), and outdoor ambient conditions of 47°F dry bulb (DB) and 43°F wet bulb (WB).

Table 224: LMU36CHV Heating Capacity Table — Non-Ducted Indoor Units (continued).

Connected Indoor Units	Combination Capacity Index	Outdoor Air Temp.		Indoor Air Temp. °F DB											
		°F DB	°F WB	61		64		68		70		72		75	
				TC	PI	TC	PI	TC	PI	TC	PI	TC	PI	TC	PI
Four (4) Non-Ducted Indoor Units	7 + 9 + 9 + 9	-4	-4.4	7.31	1.88	6.99	1.96	6.66	1.98	6.61	2.00	6.58	2.01	6.25	2.08
		0	-0.4	11.06	1.92	10.31	2.00	10.21	2.03	10.08	2.05	9.98	2.06	9.54	2.13
		5	4.5	15.52	1.97	14.76	2.04	14.43	2.08	14.20	2.11	14.02	2.13	13.45	2.20
		10	9	18.51	2.01	17.75	2.08	17.26	2.14	16.96	2.16	16.73	2.19	16.07	2.26
		17	15	21.79	2.07	21.03	2.14	20.37	2.20	20.00	2.24	19.71	2.27	18.95	2.34
		20	19	23.78	2.11	23.02	2.17	22.25	2.25	21.84	2.29	21.51	2.32	20.69	2.39
		25	23	27.11	2.18	26.30	2.24	25.39	2.33	24.91	2.37	24.52	2.41	23.60	2.48
		30	28	30.45	2.26	29.51	2.33	28.50	2.41	27.97	2.46	27.56	2.50	26.54	2.56
		35	32	33.80	2.34	32.72	2.42	31.61	2.48	31.04	2.54	30.59	2.59	29.48	2.65
		40	36	35.52	2.41	34.52	2.49	33.42	2.56	32.84	2.61	32.38	2.66	31.21	2.73
		45	41	37.67	2.49	36.77	2.58	35.69	2.66	35.10	2.70	34.62	2.74	33.37	2.82
		47	43	38.54	2.53	37.67	2.61	36.60	2.69	36.00	2.74	35.52	2.78	34.23	2.86
		50	46	38.65	2.51	37.87	2.59	36.93	2.66	36.40	2.70	35.97	2.73	34.75	2.81
		55	51	38.84	2.48	38.19	2.55	37.49	2.61	37.06	2.64	36.71	2.66	35.63	2.72
		60	56	39.03	2.46	38.52	2.51	38.04	2.55	37.72	2.57	37.46	2.59	36.50	2.63
		63	59	39.14	2.44	38.71	2.48	38.38	2.52	38.12	2.53	37.91	2.54	37.02	2.57
		68	64	39.25	2.43	38.91	2.46	38.71	2.49	38.52	2.49	38.36	2.50	37.56	2.52
		7 + 7 + 9 + 12	-4	-4.4	7.31	1.88	6.99	1.96	6.66	1.98	6.61	2.00	6.58	2.01	6.25
	0		-0.4	11.06	1.92	10.31	2.00	10.21	2.03	10.08	2.05	9.98	2.06	9.54	2.13
	5		4.5	15.52	1.97	14.76	2.04	14.43	2.08	14.20	2.11	14.02	2.13	13.45	2.20
	10		9	18.51	2.01	17.75	2.08	17.26	2.14	16.96	2.16	16.73	2.19	16.07	2.26
	17		15	21.79	2.07	21.03	2.14	20.37	2.20	20.00	2.24	19.71	2.27	18.95	2.34
	20		19	23.78	2.11	23.02	2.17	22.25	2.25	21.84	2.29	21.51	2.32	20.69	2.39
	25		23	27.11	2.18	26.30	2.24	25.39	2.33	24.91	2.37	24.52	2.41	23.60	2.48
	30		28	30.45	2.26	29.51	2.33	28.50	2.41	27.97	2.46	27.56	2.50	26.54	2.56
	35		32	33.80	2.34	32.72	2.42	31.61	2.48	31.04	2.54	30.59	2.59	29.48	2.65
	40		36	35.52	2.41	34.52	2.49	33.42	2.56	32.84	2.61	32.38	2.66	31.21	2.73
	45		41	37.67	2.49	36.77	2.58	35.69	2.66	35.10	2.70	34.62	2.74	33.37	2.82
	47		43	38.54	2.53	37.67	2.61	36.60	2.69	36.00	2.74	35.52	2.78	34.23	2.86
	50		46	38.65	2.51	37.87	2.59	36.93	2.66	36.40	2.70	35.97	2.73	34.75	2.81
	55		51	38.84	2.48	38.19	2.55	37.49	2.61	37.06	2.64	36.71	2.66	35.63	2.72
	60		56	39.03	2.46	38.52	2.51	38.04	2.55	37.72	2.57	37.46	2.59	36.50	2.63
	63		59	39.14	2.44	38.71	2.48	38.38	2.52	38.12	2.53	37.91	2.54	37.02	2.57
	68		64	39.25	2.43	38.91	2.46	38.71	2.49	38.52	2.49	38.36	2.50	37.56	2.52
	7 + 7 + 7 + 15		-4	-4.4	7.31	1.88	6.99	1.96	6.66	1.98	6.61	2.00	6.58	2.01	6.25
		0	-0.4	11.06	1.92	10.31	2.00	10.21	2.03	10.08	2.05	9.98	2.06	9.54	2.13
		5	4.5	15.52	1.97	14.76	2.04	14.43	2.08	14.20	2.11	14.02	2.13	13.45	2.20
		10	9	18.51	2.01	17.75	2.08	17.26	2.14	16.96	2.16	16.73	2.19	16.07	2.26
		17	15	21.79	2.07	21.03	2.14	20.37	2.20	20.00	2.24	19.71	2.27	18.95	2.34
		20	19	23.78	2.11	23.02	2.17	22.25	2.25	21.84	2.29	21.51	2.32	20.69	2.39
		25	23	27.11	2.18	26.30	2.24	25.39	2.33	24.91	2.37	24.52	2.41	23.60	2.48
		30	28	30.45	2.26	29.51	2.33	28.50	2.41	27.97	2.46	27.56	2.50	26.54	2.56
		35	32	33.80	2.34	32.72	2.42	31.61	2.48	31.04	2.54	30.59	2.59	29.48	2.65
		40	36	35.52	2.41	34.52	2.49	33.42	2.56	32.84	2.61	32.38	2.66	31.21	2.73
		45	41	37.67	2.49	36.77	2.58	35.69	2.66	35.10	2.70	34.62	2.74	33.37	2.82
		47	43	38.54	2.53	37.67	2.61	36.60	2.69	36.00	2.74	35.52	2.78	34.23	2.86
		50	46	38.65	2.51	37.87	2.59	36.93	2.66	36.40	2.70	35.97	2.73	34.75	2.81
		55	51	38.84	2.48	38.19	2.55	37.49	2.61	37.06	2.64	36.71	2.66	35.63	2.72
60		56	39.03	2.46	38.52	2.51	38.04	2.55	37.72	2.57	37.46	2.59	36.50	2.63	
63		59	39.14	2.44	38.71	2.48	38.38	2.52	38.12	2.53	37.91	2.54	37.02	2.57	
68		64	39.25	2.43	38.91	2.46	38.71	2.49	38.52	2.49	38.36	2.50	37.56	2.52	

TC = Total Capacity (kBtu/h).

PI = Power Input (kW).

Nominal capacity as rated: 0 ft. above sea level with 25 ft. of refrigerant piping.
0 ft. level difference between outdoor and indoor units.

Nominal heating capacity rating obtained with air entering the indoor unit at 70°F dry bulb (DB) and 60°F wet bulb (WB), and outdoor ambient conditions of 47°F dry bulb (DB) and 43°F wet bulb (WB).

PERFORMANCE DATA

Heating Capacity Tables

MULTI F
MULTI F MAX

Table 225: LMU36CHV Heating Capacity Table — Non-Ducted Indoor Units (continued).

Connected Indoor Units	Combination Capacity Index	Outdoor Air Temp.		Indoor Air Temp. °F DB											
		°F DB	°F WB	61		64		68		70		72		75	
				TC	PI	TC	PI	TC	PI	TC	PI	TC	PI	TC	PI
Four (4) Non-Ducted Indoor Units	9 + 9 + 9 + 9	-4	-4.4	7.31	1.88	6.99	1.96	6.66	1.98	6.61	2.00	6.58	2.01	6.25	2.08
		0	-0.4	11.06	1.92	10.31	2.00	10.21	2.03	10.08	2.05	9.98	2.06	9.54	2.13
		5	4.5	15.52	1.97	14.76	2.04	14.43	2.08	14.20	2.11	14.02	2.13	13.45	2.20
		10	9	18.51	2.01	17.75	2.08	17.26	2.14	16.96	2.16	16.73	2.19	16.07	2.26
		17	15	21.79	2.07	21.03	2.14	20.37	2.20	20.00	2.24	19.71	2.27	18.95	2.34
		20	19	23.78	2.11	23.02	2.17	22.25	2.25	21.84	2.29	21.51	2.32	20.69	2.39
		25	23	27.11	2.18	26.30	2.24	25.39	2.33	24.91	2.37	24.52	2.41	23.60	2.48
		30	28	30.45	2.26	29.51	2.33	28.50	2.41	27.97	2.46	27.56	2.50	26.54	2.56
		35	32	33.80	2.34	32.72	2.42	31.61	2.48	31.04	2.54	30.59	2.59	29.48	2.65
		40	36	35.52	2.41	34.52	2.49	33.42	2.56	32.84	2.61	32.38	2.66	31.21	2.73
		45	41	37.67	2.49	36.77	2.58	35.69	2.66	35.10	2.70	34.62	2.74	33.37	2.82
		47	43	38.54	2.53	37.67	2.61	36.60	2.69	36.00	2.74	35.52	2.78	34.23	2.86
		50	46	38.65	2.51	37.87	2.59	36.93	2.66	36.40	2.70	35.97	2.73	34.75	2.81
		55	51	38.84	2.48	38.19	2.55	37.49	2.61	37.06	2.64	36.71	2.66	35.63	2.72
		60	56	39.03	2.46	38.52	2.51	38.04	2.55	37.72	2.57	37.46	2.59	36.50	2.63
		63	59	39.14	2.44	38.71	2.48	38.38	2.52	38.12	2.53	37.91	2.54	37.02	2.57
		68	64	39.25	2.43	38.91	2.46	38.71	2.49	38.52	2.49	38.36	2.50	37.56	2.52
		7 + 9 + 9 + 12	-4	-4.4	7.31	1.88	6.99	1.96	6.66	1.98	6.61	2.00	6.58	2.01	6.25
	0		-0.4	11.06	1.92	10.31	2.00	10.21	2.03	10.08	2.05	9.98	2.06	9.54	2.13
	5		4.5	15.52	1.97	14.76	2.04	14.43	2.08	14.20	2.11	14.02	2.13	13.45	2.20
	10		9	18.51	2.01	17.75	2.08	17.26	2.14	16.96	2.16	16.73	2.19	16.07	2.26
	17		15	21.79	2.07	21.03	2.14	20.37	2.20	20.00	2.24	19.71	2.27	18.95	2.34
	20		19	23.78	2.11	23.02	2.17	22.25	2.25	21.84	2.29	21.51	2.32	20.69	2.39
	25		23	27.11	2.18	26.30	2.24	25.39	2.33	24.91	2.37	24.52	2.41	23.60	2.48
	30		28	30.45	2.26	29.51	2.33	28.50	2.41	27.97	2.46	27.56	2.50	26.54	2.56
	35		32	33.80	2.34	32.72	2.42	31.61	2.48	31.04	2.54	30.59	2.59	29.48	2.65
	40		36	35.52	2.41	34.52	2.49	33.42	2.56	32.84	2.61	32.38	2.66	31.21	2.73
	45		41	37.67	2.49	36.77	2.58	35.69	2.66	35.10	2.70	34.62	2.74	33.37	2.82
	47		43	38.54	2.53	37.67	2.61	36.60	2.69	36.00	2.74	35.52	2.78	34.23	2.86
	50		46	38.65	2.51	37.87	2.59	36.93	2.66	36.40	2.70	35.97	2.73	34.75	2.81
	55		51	38.84	2.48	38.19	2.55	37.49	2.61	37.06	2.64	36.71	2.66	35.63	2.72
	60		56	39.03	2.46	38.52	2.51	38.04	2.55	37.72	2.57	37.46	2.59	36.50	2.63
	63		59	39.14	2.44	38.71	2.48	38.38	2.52	38.12	2.53	37.91	2.54	37.02	2.57
	68		64	39.25	2.43	38.91	2.46	38.71	2.49	38.52	2.49	38.36	2.50	37.56	2.52
	7 + 7 + 9 + 15		-4	-4.4	7.31	1.88	6.99	1.96	6.66	1.98	6.61	2.00	6.58	2.01	6.25
		0	-0.4	11.06	1.92	10.31	2.00	10.21	2.03	10.08	2.05	9.98	2.06	9.54	2.13
		5	4.5	15.52	1.97	14.76	2.04	14.43	2.08	14.20	2.11	14.02	2.13	13.45	2.20
		10	9	18.51	2.01	17.75	2.08	17.26	2.14	16.96	2.16	16.73	2.19	16.07	2.26
		17	15	21.79	2.07	21.03	2.14	20.37	2.20	20.00	2.24	19.71	2.27	18.95	2.34
		20	19	23.78	2.11	23.02	2.17	22.25	2.25	21.84	2.29	21.51	2.32	20.69	2.39
		25	23	27.11	2.18	26.30	2.24	25.39	2.33	24.91	2.37	24.52	2.41	23.60	2.48
		30	28	30.45	2.26	29.51	2.33	28.50	2.41	27.97	2.46	27.56	2.50	26.54	2.56
		35	32	33.80	2.34	32.72	2.42	31.61	2.48	31.04	2.54	30.59	2.59	29.48	2.65
		40	36	35.52	2.41	34.52	2.49	33.42	2.56	32.84	2.61	32.38	2.66	31.21	2.73
		45	41	37.67	2.49	36.77	2.58	35.69	2.66	35.10	2.70	34.62	2.74	33.37	2.82
		47	43	38.54	2.53	37.67	2.61	36.60	2.69	36.00	2.74	35.52	2.78	34.23	2.86

TC = Total Capacity (kBtu/h).

PI = Power Input (kW).

Nominal capacity as rated: 0 ft. above sea level with 25 ft. of refrigerant piping.
0 ft. level difference between outdoor and indoor units.

Nominal heating capacity rating obtained with air entering the indoor unit at 70°F dry bulb (DB) and 60°F wet bulb (WB), and outdoor ambient conditions of 47°F dry bulb (DB) and 43°F wet bulb (WB).

Table 226: LMU36CHV Heating Capacity Table — Non-Ducted Indoor Units (continued).

Connected Indoor Units	Combination Capacity Index	Outdoor Air Temp.		Indoor Air Temp. °F DB											
		°F DB	°F WB	61		64		68		70		72		75	
				TC	PI	TC	PI	TC	PI	TC	PI	TC	PI	TC	PI
Four (4) Non-Ducted Indoor Units	7 + 7 + 12 + 12	-4	-4.4	7.31	1.88	6.99	1.96	6.66	1.98	6.61	2.00	6.58	2.01	6.25	2.08
		0	-0.4	11.06	1.92	10.31	2.00	10.21	2.03	10.08	2.05	9.98	2.06	9.54	2.13
		5	4.5	15.52	1.97	14.76	2.04	14.43	2.08	14.20	2.11	14.02	2.13	13.45	2.20
		10	9	18.51	2.01	17.75	2.08	17.26	2.14	16.96	2.16	16.73	2.19	16.07	2.26
		17	15	21.79	2.07	21.03	2.14	20.37	2.20	20.00	2.24	19.71	2.27	18.95	2.34
		20	19	23.78	2.11	23.02	2.17	22.25	2.25	21.84	2.29	21.51	2.32	20.69	2.39
		25	23	27.11	2.18	26.30	2.24	25.39	2.33	24.91	2.37	24.52	2.41	23.60	2.48
		30	28	30.45	2.26	29.51	2.33	28.50	2.41	27.97	2.46	27.56	2.50	26.54	2.56
		35	32	33.80	2.34	32.72	2.42	31.61	2.48	31.04	2.54	30.59	2.59	29.48	2.65
		40	36	35.52	2.41	34.52	2.49	33.42	2.56	32.84	2.61	32.38	2.66	31.21	2.73
		45	41	37.67	2.49	36.77	2.58	35.69	2.66	35.10	2.70	34.62	2.74	33.37	2.82
		47	43	38.54	2.53	37.67	2.61	36.60	2.69	36.00	2.74	35.52	2.78	34.23	2.86
		50	46	38.65	2.51	37.87	2.59	36.93	2.66	36.40	2.70	35.97	2.73	34.75	2.81
		55	51	38.84	2.48	38.19	2.55	37.49	2.61	37.06	2.64	36.71	2.66	35.63	2.72
		60	56	39.03	2.46	38.52	2.51	38.04	2.55	37.72	2.57	37.46	2.59	36.50	2.63
		63	59	39.14	2.44	38.71	2.48	38.38	2.52	38.12	2.53	37.91	2.54	37.02	2.57
		68	64	39.25	2.43	38.91	2.46	38.71	2.49	38.52	2.49	38.36	2.50	37.56	2.52
		7 + 7 + 7 + 18	-4	-4.4	7.31	1.88	6.99	1.96	6.66	1.98	6.61	2.00	6.58	2.01	6.25
	0	-0.4	11.06	1.92	10.31	2.00	10.21	2.03	10.08	2.05	9.98	2.06	9.54	2.13	
	5	4.5	15.52	1.97	14.76	2.04	14.43	2.08	14.20	2.11	14.02	2.13	13.45	2.20	
	10	9	18.51	2.01	17.75	2.08	17.26	2.14	16.96	2.16	16.73	2.19	16.07	2.26	
	17	15	21.79	2.07	21.03	2.14	20.37	2.20	20.00	2.24	19.71	2.27	18.95	2.34	
	20	19	23.78	2.11	23.02	2.17	22.25	2.25	21.84	2.29	21.51	2.32	20.69	2.39	
	25	23	27.11	2.18	26.30	2.24	25.39	2.33	24.91	2.37	24.52	2.41	23.60	2.48	
	30	28	30.45	2.26	29.51	2.33	28.50	2.41	27.97	2.46	27.56	2.50	26.54	2.56	
	35	32	33.80	2.34	32.72	2.42	31.61	2.48	31.04	2.54	30.59	2.59	29.48	2.65	
	40	36	35.52	2.41	34.52	2.49	33.42	2.56	32.84	2.61	32.38	2.66	31.21	2.73	
	45	41	37.67	2.49	36.77	2.58	35.69	2.66	35.10	2.70	34.62	2.74	33.37	2.82	
	47	43	38.54	2.53	37.67	2.61	36.60	2.69	36.00	2.74	35.52	2.78	34.23	2.86	
	50	46	38.65	2.51	37.87	2.59	36.93	2.66	36.40	2.70	35.97	2.73	34.75	2.81	
	55	51	38.84	2.48	38.19	2.55	37.49	2.61	37.06	2.64	36.71	2.66	35.63	2.72	
	60	56	39.03	2.46	38.52	2.51	38.04	2.55	37.72	2.57	37.46	2.59	36.50	2.63	
	63	59	39.14	2.44	38.71	2.48	38.38	2.52	38.12	2.53	37.91	2.54	37.02	2.57	
	68	64	39.25	2.43	38.91	2.46	38.71	2.49	38.52	2.49	38.36	2.50	37.56	2.52	
	9 + 9 + 9 + 12	-4	-4.4	7.31	1.88	6.99	1.96	6.66	1.98	6.61	2.00	6.58	2.01	6.25	2.08
	0	-0.4	11.06	1.92	10.31	2.00	10.21	2.03	10.08	2.05	9.98	2.06	9.54	2.13	
	5	4.5	15.52	1.97	14.76	2.04	14.43	2.08	14.20	2.11	14.02	2.13	13.45	2.20	
	10	9	18.51	2.01	17.75	2.08	17.26	2.14	16.96	2.16	16.73	2.19	16.07	2.26	
	17	15	21.79	2.07	21.03	2.14	20.37	2.20	20.00	2.24	19.71	2.27	18.95	2.34	
	20	19	23.78	2.11	23.02	2.17	22.25	2.25	21.84	2.29	21.51	2.32	20.69	2.39	
	25	23	27.11	2.18	26.30	2.24	25.39	2.33	24.91	2.37	24.52	2.41	23.60	2.48	
	30	28	30.45	2.26	29.51	2.33	28.50	2.41	27.97	2.46	27.56	2.50	26.54	2.56	
	35	32	33.80	2.34	32.72	2.42	31.61	2.48	31.04	2.54	30.59	2.59	29.48	2.65	
	40	36	35.52	2.41	34.52	2.49	33.42	2.56	32.84	2.61	32.38	2.66	31.21	2.73	
	45	41	37.67	2.49	36.77	2.58	35.69	2.66	35.10	2.70	34.62	2.74	33.37	2.82	
	47	43	38.54	2.53	37.67	2.61	36.60	2.69	36.00	2.74	35.52	2.78	34.23	2.86	
	50	46	38.65	2.51	37.87	2.59	36.93	2.66	36.40	2.70	35.97	2.73	34.75	2.81	
	55	51	38.84	2.48	38.19	2.55	37.49	2.61	37.06	2.64	36.71	2.66	35.63	2.72	
60	56	39.03	2.46	38.52	2.51	38.04	2.55	37.72	2.57	37.46	2.59	36.50	2.63		
63	59	39.14	2.44	38.71	2.48	38.38	2.52	38.12	2.53	37.91	2.54	37.02	2.57		
68	64	39.25	2.43	38.91	2.46	38.71	2.49	38.52	2.49	38.36	2.50	37.56	2.52		

TC = Total Capacity (kBtu/h).

PI = Power Input (kW).

Nominal capacity as rated: 0 ft. above sea level with 25 ft. of refrigerant piping.
0 ft. level difference between outdoor and indoor units.

Nominal heating capacity rating obtained with air entering the indoor unit at 70°F dry bulb (DB) and 60°F wet bulb (WB), and outdoor ambient conditions of 47°F dry bulb (DB) and 43°F wet bulb (WB).

PERFORMANCE DATA

Heating Capacity Tables

MULTI F
MULTI F MAX

Table 227: LMU36CHV Heating Capacity Table — Non-Ducted Indoor Units (continued).

Connected Indoor Units	Combination Capacity Index	Outdoor Air Temp.		Indoor Air Temp. °F DB											
		°F DB	°F WB	61		64		68		70		72		75	
				TC	PI	TC	PI	TC	PI	TC	PI	TC	PI	TC	PI
Four (4) Non-Ducted Indoor Units	7 + 9 + 9 + 15	-4	-4.4	7.31	1.88	6.99	1.96	6.66	1.98	6.61	2.00	6.58	2.01	6.25	2.08
		0	-0.4	11.06	1.92	10.31	2.00	10.21	2.03	10.08	2.05	9.98	2.06	9.54	2.13
		5	4.5	15.52	1.97	14.76	2.04	14.43	2.08	14.20	2.11	14.02	2.13	13.45	2.20
		10	9	18.51	2.01	17.75	2.08	17.26	2.14	16.96	2.16	16.73	2.19	16.07	2.26
		17	15	21.79	2.07	21.03	2.14	20.37	2.20	20.00	2.24	19.71	2.27	18.95	2.34
		20	19	23.78	2.11	23.02	2.17	22.25	2.25	21.84	2.29	21.51	2.32	20.69	2.39
		25	23	27.11	2.18	26.30	2.24	25.39	2.33	24.91	2.37	24.52	2.41	23.60	2.48
		30	28	30.45	2.26	29.51	2.33	28.50	2.41	27.97	2.46	27.56	2.50	26.54	2.56
		35	32	33.80	2.34	32.72	2.42	31.61	2.48	31.04	2.54	30.59	2.59	29.48	2.65
		40	36	35.52	2.41	34.52	2.49	33.42	2.56	32.84	2.61	32.38	2.66	31.21	2.73
		45	41	37.67	2.49	36.77	2.58	35.69	2.66	35.10	2.70	34.62	2.74	33.37	2.82
		47	43	38.54	2.53	37.67	2.61	36.60	2.69	36.00	2.74	35.52	2.78	34.23	2.86
		50	46	38.65	2.51	37.87	2.59	36.93	2.66	36.40	2.70	35.97	2.73	34.75	2.81
		55	51	38.84	2.48	38.19	2.55	37.49	2.61	37.06	2.64	36.71	2.66	35.63	2.72
		60	56	39.03	2.46	38.52	2.51	38.04	2.55	37.72	2.57	37.46	2.59	36.50	2.63
		63	59	39.14	2.44	38.71	2.48	38.38	2.52	38.12	2.53	37.91	2.54	37.02	2.57
		68	64	39.25	2.43	38.91	2.46	38.71	2.49	38.52	2.49	38.36	2.50	37.56	2.52
		7 + 9 + 12 + 12	-4	-4.4	7.31	1.88	6.99	1.96	6.66	1.98	6.61	2.00	6.58	2.01	6.25
	0		-0.4	11.06	1.92	10.31	2.00	10.21	2.03	10.08	2.05	9.98	2.06	9.54	2.13
	5		4.5	15.52	1.97	14.76	2.04	14.43	2.08	14.20	2.11	14.02	2.13	13.45	2.20
	10		9	18.51	2.01	17.75	2.08	17.26	2.14	16.96	2.16	16.73	2.19	16.07	2.26
	17		15	21.79	2.07	21.03	2.14	20.37	2.20	20.00	2.24	19.71	2.27	18.95	2.34
	20		19	23.78	2.11	23.02	2.17	22.25	2.25	21.84	2.29	21.51	2.32	20.69	2.39
	25		23	27.11	2.18	26.30	2.24	25.39	2.33	24.91	2.37	24.52	2.41	23.60	2.48
	30		28	30.45	2.26	29.51	2.33	28.50	2.41	27.97	2.46	27.56	2.50	26.54	2.56
	35		32	33.80	2.34	32.72	2.42	31.61	2.48	31.04	2.54	30.59	2.59	29.48	2.65
	40		36	35.52	2.41	34.52	2.49	33.42	2.56	32.84	2.61	32.38	2.66	31.21	2.73
	45		41	37.67	2.49	36.77	2.58	35.69	2.66	35.10	2.70	34.62	2.74	33.37	2.82
	47		43	38.54	2.53	37.67	2.61	36.60	2.69	36.00	2.74	35.52	2.78	34.23	2.86
	50		46	38.65	2.51	37.87	2.59	36.93	2.66	36.40	2.70	35.97	2.73	34.75	2.81
	55		51	38.84	2.48	38.19	2.55	37.49	2.61	37.06	2.64	36.71	2.66	35.63	2.72
	60		56	39.03	2.46	38.52	2.51	38.04	2.55	37.72	2.57	37.46	2.59	36.50	2.63
	63		59	39.14	2.44	38.71	2.48	38.38	2.52	38.12	2.53	37.91	2.54	37.02	2.57
	68		64	39.25	2.43	38.91	2.46	38.71	2.49	38.52	2.49	38.36	2.50	37.56	2.52
	7 + 7 + 9 + 18		-4	-4.4	7.31	1.88	6.99	1.96	6.66	1.98	6.61	2.00	6.58	2.01	6.25
		0	-0.4	11.06	1.92	10.31	2.00	10.21	2.03	10.08	2.05	9.98	2.06	9.54	2.13
		5	4.5	15.52	1.97	14.76	2.04	14.43	2.08	14.20	2.11	14.02	2.13	13.45	2.20
		10	9	18.51	2.01	17.75	2.08	17.26	2.14	16.96	2.16	16.73	2.19	16.07	2.26
		17	15	21.79	2.07	21.03	2.14	20.37	2.20	20.00	2.24	19.71	2.27	18.95	2.34
		20	19	23.78	2.11	23.02	2.17	22.25	2.25	21.84	2.29	21.51	2.32	20.69	2.39
		25	23	27.11	2.18	26.30	2.24	25.39	2.33	24.91	2.37	24.52	2.41	23.60	2.48
		30	28	30.45	2.26	29.51	2.33	28.50	2.41	27.97	2.46	27.56	2.50	26.54	2.56
		35	32	33.80	2.34	32.72	2.42	31.61	2.48	31.04	2.54	30.59	2.59	29.48	2.65
		40	36	35.52	2.41	34.52	2.49	33.42	2.56	32.84	2.61	32.38	2.66	31.21	2.73
		45	41	37.67	2.49	36.77	2.58	35.69	2.66	35.10	2.70	34.62	2.74	33.37	2.82
		47	43	38.54	2.53	37.67	2.61	36.60	2.69	36.00	2.74	35.52	2.78	34.23	2.86

TC = Total Capacity (kBtu/h).

PI = Power Input (kW).

Nominal capacity as rated: 0 ft. above sea level with 25 ft. of refrigerant piping.
0 ft. level difference between outdoor and indoor units.

Nominal heating capacity rating obtained with air entering the indoor unit at 70°F dry bulb (DB) and 60°F wet bulb (WB), and outdoor ambient conditions of 47°F dry bulb (DB) and 43°F wet bulb (WB).

Multi F and Multi F MAX Heat Pump System Engineering Manual

Table 228: LMU36CHV Heating Capacity Table — Non-Ducted Indoor Units (continued).

Connected Indoor Units	Combination Capacity Index	Outdoor Air Temp.		Indoor Air Temp. °F DB											
		°F DB	°F WB	61		64		68		70		72		75	
				TC	PI	TC	PI	TC	PI	TC	PI	TC	PI	TC	PI
Four (4) Non-Ducted Indoor Units	7 + 7 + 12 + 15	-4	-4.4	7.31	1.88	6.99	1.96	6.66	1.98	6.61	2.00	6.58	2.01	6.25	2.08
		0	-0.4	11.06	1.92	10.31	2.00	10.21	2.03	10.08	2.05	9.98	2.06	9.54	2.13
		5	4.5	15.52	1.97	14.76	2.04	14.43	2.08	14.20	2.11	14.02	2.13	13.45	2.20
		10	9	18.51	2.01	17.75	2.08	17.26	2.14	16.96	2.16	16.73	2.19	16.07	2.26
		17	15	21.79	2.07	21.03	2.14	20.37	2.20	20.00	2.24	19.71	2.27	18.95	2.34
		20	19	23.78	2.11	23.02	2.17	22.25	2.25	21.84	2.29	21.51	2.32	20.69	2.39
		25	23	27.11	2.18	26.30	2.24	25.39	2.33	24.91	2.37	24.52	2.41	23.60	2.48
		30	28	30.45	2.26	29.51	2.33	28.50	2.41	27.97	2.46	27.56	2.50	26.54	2.56
		35	32	33.80	2.34	32.72	2.42	31.61	2.48	31.04	2.54	30.59	2.59	29.48	2.65
		40	36	35.52	2.41	34.52	2.49	33.42	2.56	32.84	2.61	32.38	2.66	31.21	2.73
		45	41	37.67	2.49	36.77	2.58	35.69	2.66	35.10	2.70	34.62	2.74	33.37	2.82
		47	43	38.54	2.53	37.67	2.61	36.60	2.69	36.00	2.74	35.52	2.78	34.23	2.86
		50	46	38.65	2.51	37.87	2.59	36.93	2.66	36.40	2.70	35.97	2.73	34.75	2.81
		55	51	38.84	2.48	38.19	2.55	37.49	2.61	37.06	2.64	36.71	2.66	35.63	2.72
		60	56	39.03	2.46	38.52	2.51	38.04	2.55	37.72	2.57	37.46	2.59	36.50	2.63
		63	59	39.14	2.44	38.71	2.48	38.38	2.52	38.12	2.53	37.91	2.54	37.02	2.57
		68	64	39.25	2.43	38.91	2.46	38.71	2.49	38.52	2.49	38.36	2.50	37.56	2.52
		9 + 9 + 9 + 15	-4	-4.4	7.31	1.88	6.99	1.96	6.66	1.98	6.61	2.00	6.58	2.01	6.25
	0		-0.4	11.06	1.92	10.31	2.00	10.21	2.03	10.08	2.05	9.98	2.06	9.54	2.13
	5		4.5	15.52	1.97	14.76	2.04	14.43	2.08	14.20	2.11	14.02	2.13	13.45	2.20
	10		9	18.51	2.01	17.75	2.08	17.26	2.14	16.96	2.16	16.73	2.19	16.07	2.26
	17		15	21.79	2.07	21.03	2.14	20.37	2.20	20.00	2.24	19.71	2.27	18.95	2.34
	20		19	23.78	2.11	23.02	2.17	22.25	2.25	21.84	2.29	21.51	2.32	20.69	2.39
	25		23	27.11	2.18	26.30	2.24	25.39	2.33	24.91	2.37	24.52	2.41	23.60	2.48
	30		28	30.45	2.26	29.51	2.33	28.50	2.41	27.97	2.46	27.56	2.50	26.54	2.56
	35		32	33.80	2.34	32.72	2.42	31.61	2.48	31.04	2.54	30.59	2.59	29.48	2.65
	40		36	35.52	2.41	34.52	2.49	33.42	2.56	32.84	2.61	32.38	2.66	31.21	2.73
	45		41	37.67	2.49	36.77	2.58	35.69	2.66	35.10	2.70	34.62	2.74	33.37	2.82
	47		43	38.54	2.53	37.67	2.61	36.60	2.69	36.00	2.74	35.52	2.78	34.23	2.86
	50		46	38.65	2.51	37.87	2.59	36.93	2.66	36.40	2.70	35.97	2.73	34.75	2.81
	55		51	38.84	2.48	38.19	2.55	37.49	2.61	37.06	2.64	36.71	2.66	35.63	2.72
	60		56	39.03	2.46	38.52	2.51	38.04	2.55	37.72	2.57	37.46	2.59	36.50	2.63
	63		59	39.14	2.44	38.71	2.48	38.38	2.52	38.12	2.53	37.91	2.54	37.02	2.57
	68		64	39.25	2.43	38.91	2.46	38.71	2.49	38.52	2.49	38.36	2.50	37.56	2.52
	9 + 9 + 12 + 12		-4	-4.4	7.31	1.88	6.99	1.96	6.66	1.98	6.61	2.00	6.58	2.01	6.25
		0	-0.4	11.06	1.92	10.31	2.00	10.21	2.03	10.08	2.05	9.98	2.06	9.54	2.13
		5	4.5	15.52	1.97	14.76	2.04	14.43	2.08	14.20	2.11	14.02	2.13	13.45	2.20
		10	9	18.51	2.01	17.75	2.08	17.26	2.14	16.96	2.16	16.73	2.19	16.07	2.26
		17	15	21.79	2.07	21.03	2.14	20.37	2.20	20.00	2.24	19.71	2.27	18.95	2.34
		20	19	23.78	2.11	23.02	2.17	22.25	2.25	21.84	2.29	21.51	2.32	20.69	2.39
		25	23	27.11	2.18	26.30	2.24	25.39	2.33	24.91	2.37	24.52	2.41	23.60	2.48
		30	28	30.45	2.26	29.51	2.33	28.50	2.41	27.97	2.46	27.56	2.50	26.54	2.56
		35	32	33.80	2.34	32.72	2.42	31.61	2.48	31.04	2.54	30.59	2.59	29.48	2.65
		40	36	35.52	2.41	34.52	2.49	33.42	2.56	32.84	2.61	32.38	2.66	31.21	2.73
		45	41	37.67	2.49	36.77	2.58	35.69	2.66	35.10	2.70	34.62	2.74	33.37	2.82
		47	43	38.54	2.53	37.67	2.61	36.60	2.69	36.00	2.74	35.52	2.78	34.23	2.86
		50	46	38.65	2.51	37.87	2.59	36.93	2.66	36.40	2.70	35.97	2.73	34.75	2.81
		55	51	38.84	2.48	38.19	2.55	37.49	2.61	37.06	2.64	36.71	2.66	35.63	2.72
60		56	39.03	2.46	38.52	2.51	38.04	2.55	37.72	2.57	37.46	2.59	36.50	2.63	
63		59	39.14	2.44	38.71	2.48	38.38	2.52	38.12	2.53	37.91	2.54	37.02	2.57	
68		64	39.25	2.43	38.91	2.46	38.71	2.49	38.52	2.49	38.36	2.50	37.56	2.52	

TC = Total Capacity (kBtu/h).

PI = Power Input (kW).

Nominal capacity as rated: 0 ft. above sea level with 25 ft. of refrigerant piping.
0 ft. level difference between outdoor and indoor units.

Nominal heating capacity rating obtained with air entering the indoor unit at 70°F dry bulb (DB) and 60°F wet bulb (WB), and outdoor ambient conditions of 47°F dry bulb (DB) and 43°F wet bulb (WB).

PERFORMANCE DATA

Heating Capacity Tables

MULTI F
MULTI F MAX

Table 229: LMU36CHV Heating Capacity Table — Non-Ducted Indoor Units (continued).

Connected Indoor Units	Combination Capacity Index	Outdoor Air Temp.		Indoor Air Temp. °F DB											
		°F DB	°F WB	61		64		68		70		72		75	
				TC	PI	TC	PI	TC	PI	TC	PI	TC	PI	TC	PI
Four (4) Non-Ducted Indoor Units	7 + 9 + 9 + 18	-4	-4.4	7.31	1.88	6.99	1.96	6.66	1.98	6.61	2.00	6.58	2.01	6.25	2.08
		0	-0.4	11.06	1.92	10.31	2.00	10.21	2.03	10.08	2.05	9.98	2.06	9.54	2.13
		5	4.5	15.52	1.97	14.76	2.04	14.43	2.08	14.20	2.11	14.02	2.13	13.45	2.20
		10	9	18.51	2.01	17.75	2.08	17.26	2.14	16.96	2.16	16.73	2.19	16.07	2.26
		17	15	21.79	2.07	21.03	2.14	20.37	2.20	20.00	2.24	19.71	2.27	18.95	2.34
		20	19	23.78	2.11	23.02	2.17	22.25	2.25	21.84	2.29	21.51	2.32	20.69	2.39
		25	23	27.11	2.18	26.30	2.24	25.39	2.33	24.91	2.37	24.52	2.41	23.60	2.48
		30	28	30.45	2.26	29.51	2.33	28.50	2.41	27.97	2.46	27.56	2.50	26.54	2.56
		35	32	33.80	2.34	32.72	2.42	31.61	2.48	31.04	2.54	30.59	2.59	29.48	2.65
		40	36	35.52	2.41	34.52	2.49	33.42	2.56	32.84	2.61	32.38	2.66	31.21	2.73
		45	41	37.67	2.49	36.77	2.58	35.69	2.66	35.10	2.70	34.62	2.74	33.37	2.82
		47	43	38.54	2.53	37.67	2.61	36.60	2.69	36.00	2.74	35.52	2.78	34.23	2.86
		50	46	38.65	2.51	37.87	2.59	36.93	2.66	36.40	2.70	35.97	2.73	34.75	2.81
		55	51	38.84	2.48	38.19	2.55	37.49	2.61	37.06	2.64	36.71	2.66	35.63	2.72
		60	56	39.03	2.46	38.52	2.51	38.04	2.55	37.72	2.57	37.46	2.59	36.50	2.63
		63	59	39.14	2.44	38.71	2.48	38.38	2.52	38.12	2.53	37.91	2.54	37.02	2.57
		68	64	39.25	2.43	38.91	2.46	38.71	2.49	38.52	2.49	38.36	2.50	37.56	2.52
		7 + 9 + 12 + 15	-4	-4.4	7.31	1.88	6.99	1.96	6.66	1.98	6.61	2.00	6.58	2.01	6.25
	0	-0.4	11.06	1.92	10.31	2.00	10.21	2.03	10.08	2.05	9.98	2.06	9.54	2.13	
	5	4.5	15.52	1.97	14.76	2.04	14.43	2.08	14.20	2.11	14.02	2.13	13.45	2.20	
	10	9	18.51	2.01	17.75	2.08	17.26	2.14	16.96	2.16	16.73	2.19	16.07	2.26	
	17	15	21.79	2.07	21.03	2.14	20.37	2.20	20.00	2.24	19.71	2.27	18.95	2.34	
	20	19	23.78	2.11	23.02	2.17	22.25	2.25	21.84	2.29	21.51	2.32	20.69	2.39	
	25	23	27.11	2.18	26.30	2.24	25.39	2.33	24.91	2.37	24.52	2.41	23.60	2.48	
	30	28	30.45	2.26	29.51	2.33	28.50	2.41	27.97	2.46	27.56	2.50	26.54	2.56	
	35	32	33.80	2.34	32.72	2.42	31.61	2.48	31.04	2.54	30.59	2.59	29.48	2.65	
	40	36	35.52	2.41	34.52	2.49	33.42	2.56	32.84	2.61	32.38	2.66	31.21	2.73	
	45	41	37.67	2.49	36.77	2.58	35.69	2.66	35.10	2.70	34.62	2.74	33.37	2.82	
	47	43	38.54	2.53	37.67	2.61	36.60	2.69	36.00	2.74	35.52	2.78	34.23	2.86	
	50	46	38.65	2.51	37.87	2.59	36.93	2.66	36.40	2.70	35.97	2.73	34.75	2.81	
	55	51	38.84	2.48	38.19	2.55	37.49	2.61	37.06	2.64	36.71	2.66	35.63	2.72	
	60	56	39.03	2.46	38.52	2.51	38.04	2.55	37.72	2.57	37.46	2.59	36.50	2.63	
	63	59	39.14	2.44	38.71	2.48	38.38	2.52	38.12	2.53	37.91	2.54	37.02	2.57	
	68	64	39.25	2.43	38.91	2.46	38.71	2.49	38.52	2.49	38.36	2.50	37.56	2.52	
	7 + 12 + 12 + 12	-4	-4.4	7.31	1.88	6.99	1.96	6.66	1.98	6.61	2.00	6.58	2.01	6.25	2.08
	0	-0.4	11.06	1.92	10.31	2.00	10.21	2.03	10.08	2.05	9.98	2.06	9.54	2.13	
	5	4.5	15.52	1.97	14.76	2.04	14.43	2.08	14.20	2.11	14.02	2.13	13.45	2.20	
	10	9	18.51	2.01	17.75	2.08	17.26	2.14	16.96	2.16	16.73	2.19	16.07	2.26	
	17	15	21.79	2.07	21.03	2.14	20.37	2.20	20.00	2.24	19.71	2.27	18.95	2.34	
	20	19	23.78	2.11	23.02	2.17	22.25	2.25	21.84	2.29	21.51	2.32	20.69	2.39	
	25	23	27.11	2.18	26.30	2.24	25.39	2.33	24.91	2.37	24.52	2.41	23.60	2.48	
	30	28	30.45	2.26	29.51	2.33	28.50	2.41	27.97	2.46	27.56	2.50	26.54	2.56	
	35	32	33.80	2.34	32.72	2.42	31.61	2.48	31.04	2.54	30.59	2.59	29.48	2.65	
	40	36	35.52	2.41	34.52	2.49	33.42	2.56	32.84	2.61	32.38	2.66	31.21	2.73	
	45	41	37.67	2.49	36.77	2.58	35.69	2.66	35.10	2.70	34.62	2.74	33.37	2.82	
	47	43	38.54	2.53	37.67	2.61	36.60	2.69	36.00	2.74	35.52	2.78	34.23	2.86	
	50	46	38.65	2.51	37.87	2.59	36.93	2.66	36.40	2.70	35.97	2.73	34.75	2.81	
	55	51	38.84	2.48	38.19	2.55	37.49	2.61	37.06	2.64	36.71	2.66	35.63	2.72	
60	56	39.03	2.46	38.52	2.51	38.04	2.55	37.72	2.57	37.46	2.59	36.50	2.63		
63	59	39.14	2.44	38.71	2.48	38.38	2.52	38.12	2.53	37.91	2.54	37.02	2.57		
68	64	39.25	2.43	38.91	2.46	38.71	2.49	38.52	2.49	38.36	2.50	37.56	2.52		

TC = Total Capacity (kBtu/h).

PI = Power Input (kW).

Nominal capacity as rated: 0 ft. above sea level with 25 ft. of refrigerant piping.
0 ft. level difference between outdoor and indoor units.

Nominal heating capacity rating obtained with air entering the indoor unit at 70°F dry bulb (DB) and 60°F wet bulb (WB), and outdoor ambient conditions of 47°F dry bulb (DB) and 43°F wet bulb (WB).



Table 230: LMU36CHV Heating Capacity Table — Non-Ducted Indoor Units (continued).

Connected Indoor Units	Combination Capacity Index	Outdoor Air Temp.		Indoor Air Temp. °F DB											
		°F DB	°F WB	61		64		68		70		72		75	
				TC	PI	TC	PI	TC	PI	TC	PI	TC	PI	TC	PI
Four (4) Non-Ducted Indoor Units	7 + 7 + 12 + 18	-4	-4.4	7.31	1.88	6.99	1.96	6.66	1.98	6.61	2.00	6.58	2.01	6.25	2.08
		0	-0.4	11.06	1.92	10.31	2.00	10.21	2.03	10.08	2.05	9.98	2.06	9.54	2.13
		5	4.5	15.52	1.97	14.76	2.04	14.43	2.08	14.20	2.11	14.02	2.13	13.45	2.20
		10	9	18.51	2.01	17.75	2.08	17.26	2.14	16.96	2.16	16.73	2.19	16.07	2.26
		17	15	21.79	2.07	21.03	2.14	20.37	2.20	20.00	2.24	19.71	2.27	18.95	2.34
		20	19	23.78	2.11	23.02	2.17	22.25	2.25	21.84	2.29	21.51	2.32	20.69	2.39
		25	23	27.11	2.18	26.30	2.24	25.39	2.33	24.91	2.37	24.52	2.41	23.60	2.48
		30	28	30.45	2.26	29.51	2.33	28.50	2.41	27.97	2.46	27.56	2.50	26.54	2.56
		35	32	33.80	2.34	32.72	2.42	31.61	2.48	31.04	2.54	30.59	2.59	29.48	2.65
		40	36	35.52	2.41	34.52	2.49	33.42	2.56	32.84	2.61	32.38	2.66	31.21	2.73
		45	41	37.67	2.49	36.77	2.58	35.69	2.66	35.10	2.70	34.62	2.74	33.37	2.82
		47	43	38.54	2.53	37.67	2.61	36.60	2.69	36.00	2.74	35.52	2.78	34.23	2.86
		50	46	38.65	2.51	37.87	2.59	36.93	2.66	36.40	2.70	35.97	2.73	34.75	2.81
		55	51	38.84	2.48	38.19	2.55	37.49	2.61	37.06	2.64	36.71	2.66	35.63	2.72
		60	56	39.03	2.46	38.52	2.51	38.04	2.55	37.72	2.57	37.46	2.59	36.50	2.63
		63	59	39.14	2.44	38.71	2.48	38.38	2.52	38.12	2.53	37.91	2.54	37.02	2.57
		68	64	39.25	2.43	38.91	2.46	38.71	2.49	38.52	2.49	38.36	2.50	37.56	2.52
		7 + 7 + 15 + 15	-4	-4.4	7.31	1.88	6.99	1.96	6.66	1.98	6.61	2.00	6.58	2.01	6.25
	0		-0.4	11.06	1.92	10.31	2.00	10.21	2.03	10.08	2.05	9.98	2.06	9.54	2.13
	5		4.5	15.52	1.97	14.76	2.04	14.43	2.08	14.20	2.11	14.02	2.13	13.45	2.20
	10		9	18.51	2.01	17.75	2.08	17.26	2.14	16.96	2.16	16.73	2.19	16.07	2.26
	17		15	21.79	2.07	21.03	2.14	20.37	2.20	20.00	2.24	19.71	2.27	18.95	2.34
	20		19	23.78	2.11	23.02	2.17	22.25	2.25	21.84	2.29	21.51	2.32	20.69	2.39
	25		23	27.11	2.18	26.30	2.24	25.39	2.33	24.91	2.37	24.52	2.41	23.60	2.48
	30		28	30.45	2.26	29.51	2.33	28.50	2.41	27.97	2.46	27.56	2.50	26.54	2.56
	35		32	33.80	2.34	32.72	2.42	31.61	2.48	31.04	2.54	30.59	2.59	29.48	2.65
	40		36	35.52	2.41	34.52	2.49	33.42	2.56	32.84	2.61	32.38	2.66	31.21	2.73
	45		41	37.67	2.49	36.77	2.58	35.69	2.66	35.10	2.70	34.62	2.74	33.37	2.82
	47		43	38.54	2.53	37.67	2.61	36.60	2.69	36.00	2.74	35.52	2.78	34.23	2.86
	50		46	38.65	2.51	37.87	2.59	36.93	2.66	36.40	2.70	35.97	2.73	34.75	2.81
	55		51	38.84	2.48	38.19	2.55	37.49	2.61	37.06	2.64	36.71	2.66	35.63	2.72
	60		56	39.03	2.46	38.52	2.51	38.04	2.55	37.72	2.57	37.46	2.59	36.50	2.63
	63		59	39.14	2.44	38.71	2.48	38.38	2.52	38.12	2.53	37.91	2.54	37.02	2.57
	68		64	39.25	2.43	38.91	2.46	38.71	2.49	38.52	2.49	38.36	2.50	37.56	2.52
	7 + 7 + 7 + 24		-4	-4.4	7.31	1.88	6.99	1.96	6.66	1.98	6.61	2.00	6.58	2.01	6.25
		0	-0.4	11.06	1.92	10.31	2.00	10.21	2.03	10.08	2.05	9.98	2.06	9.54	2.13
		5	4.5	15.52	1.97	14.76	2.04	14.43	2.08	14.20	2.11	14.02	2.13	13.45	2.20
		10	9	18.51	2.01	17.75	2.08	17.26	2.14	16.96	2.16	16.73	2.19	16.07	2.26
		17	15	21.79	2.07	21.03	2.14	20.37	2.20	20.00	2.24	19.71	2.27	18.95	2.34
		20	19	23.78	2.11	23.02	2.17	22.25	2.25	21.84	2.29	21.51	2.32	20.69	2.39
		25	23	27.11	2.18	26.30	2.24	25.39	2.33	24.91	2.37	24.52	2.41	23.60	2.48
		30	28	30.45	2.26	29.51	2.33	28.50	2.41	27.97	2.46	27.56	2.50	26.54	2.56
		35	32	33.80	2.34	32.72	2.42	31.61	2.48	31.04	2.54	30.59	2.59	29.48	2.65
		40	36	35.52	2.41	34.52	2.49	33.42	2.56	32.84	2.61	32.38	2.66	31.21	2.73
		45	41	37.67	2.49	36.77	2.58	35.69	2.66	35.10	2.70	34.62	2.74	33.37	2.82
		47	43	38.54	2.53	37.67	2.61	36.60	2.69	36.00	2.74	35.52	2.78	34.23	2.86
		50	46	38.65	2.51	37.87	2.59	36.93	2.66	36.40	2.70	35.97	2.73	34.75	2.81
		55	51	38.84	2.48	38.19	2.55	37.49	2.61	37.06	2.64	36.71	2.66	35.63	2.72
60		56	39.03	2.46	38.52	2.51	38.04	2.55	37.72	2.57	37.46	2.59	36.50	2.63	
63		59	39.14	2.44	38.71	2.48	38.38	2.52	38.12	2.53	37.91	2.54	37.02	2.57	
68		64	39.25	2.43	38.91	2.46	38.71	2.49	38.52	2.49	38.36	2.50	37.56	2.52	

TC = Total Capacity (kBtu/h).

PI = Power Input (kW).

Nominal capacity as rated: 0 ft. above sea level with 25 ft. of refrigerant piping.
0 ft. level difference between outdoor and indoor units.

Nominal heating capacity rating obtained with air entering the indoor unit at 70°F dry bulb (DB) and 60°F wet bulb (WB), and outdoor ambient conditions of 47°F dry bulb (DB) and 43°F wet bulb (WB).

PERFORMANCE DATA

Heating Capacity Tables

MULTI F
MULTI F MAX

Table 231: LMU36CHV Heating Capacity Table — Non-Ducted Indoor Units (continued).

Connected Indoor Units	Combination Capacity Index	Outdoor Air Temp.		Indoor Air Temp. °F DB											
		°F DB	°F WB	61		64		68		70		72		75	
				TC	PI	TC	PI	TC	PI	TC	PI	TC	PI	TC	PI
Four (4) Non-Ducted Indoor Units	9 + 9 + 9 + 18	-4	-4.4	7.31	1.88	6.99	1.96	6.66	1.98	6.61	2.00	6.58	2.01	6.25	2.08
		0	-0.4	11.06	1.92	10.31	2.00	10.21	2.03	10.08	2.05	9.98	2.06	9.54	2.13
		5	4.5	15.52	1.97	14.76	2.04	14.43	2.08	14.20	2.11	14.02	2.13	13.45	2.20
		10	9	18.51	2.01	17.75	2.08	17.26	2.14	16.96	2.16	16.73	2.19	16.07	2.26
		17	15	21.79	2.07	21.03	2.14	20.37	2.20	20.00	2.24	19.71	2.27	18.95	2.34
		20	19	23.78	2.11	23.02	2.17	22.25	2.25	21.84	2.29	21.51	2.32	20.69	2.39
		25	23	27.11	2.18	26.30	2.24	25.39	2.33	24.91	2.37	24.52	2.41	23.60	2.48
		30	28	30.45	2.26	29.51	2.33	28.50	2.41	27.97	2.46	27.56	2.50	26.54	2.56
		35	32	33.80	2.34	32.72	2.42	31.61	2.48	31.04	2.54	30.59	2.59	29.48	2.65
		40	36	35.52	2.41	34.52	2.49	33.42	2.56	32.84	2.61	32.38	2.66	31.21	2.73
		45	41	37.67	2.49	36.77	2.58	35.69	2.66	35.10	2.70	34.62	2.74	33.37	2.82
		47	43	38.54	2.53	37.67	2.61	36.60	2.69	36.00	2.74	35.52	2.78	34.23	2.86
		50	46	38.65	2.51	37.87	2.59	36.93	2.66	36.40	2.70	35.97	2.73	34.75	2.81
		55	51	38.84	2.48	38.19	2.55	37.49	2.61	37.06	2.64	36.71	2.66	35.63	2.72
		60	56	39.03	2.46	38.52	2.51	38.04	2.55	37.72	2.57	37.46	2.59	36.50	2.63
		63	59	39.14	2.44	38.71	2.48	38.38	2.52	38.12	2.53	37.91	2.54	37.02	2.57
		68	64	39.25	2.43	38.91	2.46	38.71	2.49	38.52	2.49	38.36	2.50	37.56	2.52
		9 + 9 + 12 + 15	-4	-4.4	7.31	1.88	6.99	1.96	6.66	1.98	6.61	2.00	6.58	2.01	6.25
	0		-0.4	11.06	1.92	10.31	2.00	10.21	2.03	10.08	2.05	9.98	2.06	9.54	2.13
	5		4.5	15.52	1.97	14.76	2.04	14.43	2.08	14.20	2.11	14.02	2.13	13.45	2.20
	10		9	18.51	2.01	17.75	2.08	17.26	2.14	16.96	2.16	16.73	2.19	16.07	2.26
	17		15	21.79	2.07	21.03	2.14	20.37	2.20	20.00	2.24	19.71	2.27	18.95	2.34
	20		19	23.78	2.11	23.02	2.17	22.25	2.25	21.84	2.29	21.51	2.32	20.69	2.39
	25		23	27.11	2.18	26.30	2.24	25.39	2.33	24.91	2.37	24.52	2.41	23.60	2.48
	30		28	30.45	2.26	29.51	2.33	28.50	2.41	27.97	2.46	27.56	2.50	26.54	2.56
	35		32	33.80	2.34	32.72	2.42	31.61	2.48	31.04	2.54	30.59	2.59	29.48	2.65
	40		36	35.52	2.41	34.52	2.49	33.42	2.56	32.84	2.61	32.38	2.66	31.21	2.73
	45		41	37.67	2.49	36.77	2.58	35.69	2.66	35.10	2.70	34.62	2.74	33.37	2.82
	47		43	38.54	2.53	37.67	2.61	36.60	2.69	36.00	2.74	35.52	2.78	34.23	2.86
	50		46	38.65	2.51	37.87	2.59	36.93	2.66	36.40	2.70	35.97	2.73	34.75	2.81
	55		51	38.84	2.48	38.19	2.55	37.49	2.61	37.06	2.64	36.71	2.66	35.63	2.72
	60		56	39.03	2.46	38.52	2.51	38.04	2.55	37.72	2.57	37.46	2.59	36.50	2.63
	63		59	39.14	2.44	38.71	2.48	38.38	2.52	38.12	2.53	37.91	2.54	37.02	2.57
	68		64	39.25	2.43	38.91	2.46	38.71	2.49	38.52	2.49	38.36	2.50	37.56	2.52
	9 + 12 + 12 + 12		-4	-4.4	7.31	1.88	6.99	1.96	6.66	1.98	6.61	2.00	6.58	2.01	6.25
		0	-0.4	11.06	1.92	10.31	2.00	10.21	2.03	10.08	2.05	9.98	2.06	9.54	2.13
		5	4.5	15.52	1.97	14.76	2.04	14.43	2.08	14.20	2.11	14.02	2.13	13.45	2.20
		10	9	18.51	2.01	17.75	2.08	17.26	2.14	16.96	2.16	16.73	2.19	16.07	2.26
		17	15	21.79	2.07	21.03	2.14	20.37	2.20	20.00	2.24	19.71	2.27	18.95	2.34
		20	19	23.78	2.11	23.02	2.17	22.25	2.25	21.84	2.29	21.51	2.32	20.69	2.39
		25	23	27.11	2.18	26.30	2.24	25.39	2.33	24.91	2.37	24.52	2.41	23.60	2.48
		30	28	30.45	2.26	29.51	2.33	28.50	2.41	27.97	2.46	27.56	2.50	26.54	2.56
		35	32	33.80	2.34	32.72	2.42	31.61	2.48	31.04	2.54	30.59	2.59	29.48	2.65
		40	36	35.52	2.41	34.52	2.49	33.42	2.56	32.84	2.61	32.38	2.66	31.21	2.73
		45	41	37.67	2.49	36.77	2.58	35.69	2.66	35.10	2.70	34.62	2.74	33.37	2.82
		47	43	38.54	2.53	37.67	2.61	36.60	2.69	36.00	2.74	35.52	2.78	34.23	2.86
		50	46	38.65	2.51	37.87	2.59	36.93	2.66	36.40	2.70	35.97	2.73	34.75	2.81
		55	51	38.84	2.48	38.19	2.55	37.49	2.61	37.06	2.64	36.71	2.66	35.63	2.72
60		56	39.03	2.46	38.52	2.51	38.04	2.55	37.72	2.57	37.46	2.59	36.50	2.63	
63		59	39.14	2.44	38.71	2.48	38.38	2.52	38.12	2.53	37.91	2.54	37.02	2.57	
68		64	39.25	2.43	38.91	2.46	38.71	2.49	38.52	2.49	38.36	2.50	37.56	2.52	

TC = Total Capacity (kBtu/h).
PI = Power Input (kW).

Nominal capacity as rated: 0 ft. above sea level with 25 ft. of refrigerant piping.
0 ft. level difference between outdoor and indoor units.

Nominal heating capacity rating obtained with air entering the indoor unit at 70°F dry bulb (DB) and 60°F wet bulb (WB), and outdoor ambient conditions of 47°F dry bulb (DB) and 43°F wet bulb (WB).



Table 232: LMU36CHV Heating Capacity Table — Non-Ducted Indoor Units (continued).

Connected Indoor Units	Combination Capacity Index	Outdoor Air Temp.		Indoor Air Temp. °F DB											
		°F DB	°F WB	61		64		68		70		72		75	
				TC	PI	TC	PI	TC	PI	TC	PI	TC	PI	TC	PI
Four (4) Non-Ducted Indoor Units	7 + 9 + 12 + 18	-4	-4.4	7.31	1.88	6.99	1.96	6.66	1.98	6.61	2.00	6.58	2.01	6.25	2.08
		0	-0.4	11.06	1.92	10.31	2.00	10.21	2.03	10.08	2.05	9.98	2.06	9.54	2.13
		5	4.5	15.52	1.97	14.76	2.04	14.43	2.08	14.20	2.11	14.02	2.13	13.45	2.20
		10	9	18.51	2.01	17.75	2.08	17.26	2.14	16.96	2.16	16.73	2.19	16.07	2.26
		17	15	21.79	2.07	21.03	2.14	20.37	2.20	20.00	2.24	19.71	2.27	18.95	2.34
		20	19	23.78	2.11	23.02	2.17	22.25	2.25	21.84	2.29	21.51	2.32	20.69	2.39
		25	23	27.11	2.18	26.30	2.24	25.39	2.33	24.91	2.37	24.52	2.41	23.60	2.48
		30	28	30.45	2.26	29.51	2.33	28.50	2.41	27.97	2.46	27.56	2.50	26.54	2.56
		35	32	33.80	2.34	32.72	2.42	31.61	2.48	31.04	2.54	30.59	2.59	29.48	2.65
		40	36	35.52	2.41	34.52	2.49	33.42	2.56	32.84	2.61	32.38	2.66	31.21	2.73
		45	41	37.67	2.49	36.77	2.58	35.69	2.66	35.10	2.70	34.62	2.74	33.37	2.82
		47	43	38.54	2.53	37.67	2.61	36.60	2.69	36.00	2.74	35.52	2.78	34.23	2.86
		50	46	38.65	2.51	37.87	2.59	36.93	2.66	36.40	2.70	35.97	2.73	34.75	2.81
		55	51	38.84	2.48	38.19	2.55	37.49	2.61	37.06	2.64	36.71	2.66	35.63	2.72
		60	56	39.03	2.46	38.52	2.51	38.04	2.55	37.72	2.57	37.46	2.59	36.50	2.63
		63	59	39.14	2.44	38.71	2.48	38.38	2.52	38.12	2.53	37.91	2.54	37.02	2.57
		68	64	39.25	2.43	38.91	2.46	38.71	2.49	38.52	2.49	38.36	2.50	37.56	2.52
		7 + 9 + 15 + 15	-4	-4.4	7.31	1.88	6.99	1.96	6.66	1.98	6.61	2.00	6.58	2.01	6.25
	0	-0.4	11.06	1.92	10.31	2.00	10.21	2.03	10.08	2.05	9.98	2.06	9.54	2.13	
	5	4.5	15.52	1.97	14.76	2.04	14.43	2.08	14.20	2.11	14.02	2.13	13.45	2.20	
	10	9	18.51	2.01	17.75	2.08	17.26	2.14	16.96	2.16	16.73	2.19	16.07	2.26	
	17	15	21.79	2.07	21.03	2.14	20.37	2.20	20.00	2.24	19.71	2.27	18.95	2.34	
	20	19	23.78	2.11	23.02	2.17	22.25	2.25	21.84	2.29	21.51	2.32	20.69	2.39	
	25	23	27.11	2.18	26.30	2.24	25.39	2.33	24.91	2.37	24.52	2.41	23.60	2.48	
	30	28	30.45	2.26	29.51	2.33	28.50	2.41	27.97	2.46	27.56	2.50	26.54	2.56	
	35	32	33.80	2.34	32.72	2.42	31.61	2.48	31.04	2.54	30.59	2.59	29.48	2.65	
	40	36	35.52	2.41	34.52	2.49	33.42	2.56	32.84	2.61	32.38	2.66	31.21	2.73	
	45	41	37.67	2.49	36.77	2.58	35.69	2.66	35.10	2.70	34.62	2.74	33.37	2.82	
	47	43	38.54	2.53	37.67	2.61	36.60	2.69	36.00	2.74	35.52	2.78	34.23	2.86	
	50	46	38.65	2.51	37.87	2.59	36.93	2.66	36.40	2.70	35.97	2.73	34.75	2.81	
	55	51	38.84	2.48	38.19	2.55	37.49	2.61	37.06	2.64	36.71	2.66	35.63	2.72	
	60	56	39.03	2.46	38.52	2.51	38.04	2.55	37.72	2.57	37.46	2.59	36.50	2.63	
	63	59	39.14	2.44	38.71	2.48	38.38	2.52	38.12	2.53	37.91	2.54	37.02	2.57	
	68	64	39.25	2.43	38.91	2.46	38.71	2.49	38.52	2.49	38.36	2.50	37.56	2.52	
	7 + 12 + 12 + 15	-4	-4.4	7.31	1.88	6.99	1.96	6.66	1.98	6.61	2.00	6.58	2.01	6.25	2.08
	0	-0.4	11.06	1.92	10.31	2.00	10.21	2.03	10.08	2.05	9.98	2.06	9.54	2.13	
	5	4.5	15.52	1.97	14.76	2.04	14.43	2.08	14.20	2.11	14.02	2.13	13.45	2.20	
	10	9	18.51	2.01	17.75	2.08	17.26	2.14	16.96	2.16	16.73	2.19	16.07	2.26	
	17	15	21.79	2.07	21.03	2.14	20.37	2.20	20.00	2.24	19.71	2.27	18.95	2.34	
	20	19	23.78	2.11	23.02	2.17	22.25	2.25	21.84	2.29	21.51	2.32	20.69	2.39	
	25	23	27.11	2.18	26.30	2.24	25.39	2.33	24.91	2.37	24.52	2.41	23.60	2.48	
	30	28	30.45	2.26	29.51	2.33	28.50	2.41	27.97	2.46	27.56	2.50	26.54	2.56	
	35	32	33.80	2.34	32.72	2.42	31.61	2.48	31.04	2.54	30.59	2.59	29.48	2.65	
	40	36	35.52	2.41	34.52	2.49	33.42	2.56	32.84	2.61	32.38	2.66	31.21	2.73	
	45	41	37.67	2.49	36.77	2.58	35.69	2.66	35.10	2.70	34.62	2.74	33.37	2.82	
	47	43	38.54	2.53	37.67	2.61	36.60	2.69	36.00	2.74	35.52	2.78	34.23	2.86	
	50	46	38.65	2.51	37.87	2.59	36.93	2.66	36.40	2.70	35.97	2.73	34.75	2.81	
	55	51	38.84	2.48	38.19	2.55	37.49	2.61	37.06	2.64	36.71	2.66	35.63	2.72	
60	56	39.03	2.46	38.52	2.51	38.04	2.55	37.72	2.57	37.46	2.59	36.50	2.63		
63	59	39.14	2.44	38.71	2.48	38.38	2.52	38.12	2.53	37.91	2.54	37.02	2.57		
68	64	39.25	2.43	38.91	2.46	38.71	2.49	38.52	2.49	38.36	2.50	37.56	2.52		

TC = Total Capacity (kBtu/h).

PI = Power Input (kW).

Nominal capacity as rated: 0 ft. above sea level with 25 ft. of refrigerant piping.
0 ft. level difference between outdoor and indoor units.

Nominal heating capacity rating obtained with air entering the indoor unit at 70°F dry bulb (DB) and 60°F wet bulb (WB), and outdoor ambient conditions of 47°F dry bulb (DB) and 43°F wet bulb (WB).

PERFORMANCE DATA

Heating Capacity Tables

MULTI F
MULTI F MAX

Table 233: LMU36CHV Heating Capacity Table — Non-Ducted Indoor Units (continued).

Connected Indoor Units	Combination Capacity Index	Outdoor Air Temp.		Indoor Air Temp. °F DB											
		°F DB	°F WB	61		64		68		70		72		75	
				TC	PI	TC	PI	TC	PI	TC	PI	TC	PI	TC	PI
Four (4) Non-Ducted Indoor Units	7 + 7 + 9 + 24	-4	-4.4	7.31	1.88	6.99	1.96	6.66	1.98	6.61	2.00	6.58	2.01	6.25	2.08
		0	-0.4	11.06	1.92	10.31	2.00	10.21	2.03	10.08	2.05	9.98	2.06	9.54	2.13
		5	4.5	15.52	1.97	14.76	2.04	14.43	2.08	14.20	2.11	14.02	2.13	13.45	2.20
		10	9	18.51	2.01	17.75	2.08	17.26	2.14	16.96	2.16	16.73	2.19	16.07	2.26
		17	15	21.79	2.07	21.03	2.14	20.37	2.20	20.00	2.24	19.71	2.27	18.95	2.34
		20	19	23.78	2.11	23.02	2.17	22.25	2.25	21.84	2.29	21.51	2.32	20.69	2.39
		25	23	27.11	2.18	26.30	2.24	25.39	2.33	24.91	2.37	24.52	2.41	23.60	2.48
		30	28	30.45	2.26	29.51	2.33	28.50	2.41	27.97	2.46	27.56	2.50	26.54	2.56
		35	32	33.80	2.34	32.72	2.42	31.61	2.48	31.04	2.54	30.59	2.59	29.48	2.65
		40	36	35.52	2.41	34.52	2.49	33.42	2.56	32.84	2.61	32.38	2.66	31.21	2.73
		45	41	37.67	2.49	36.77	2.58	35.69	2.66	35.10	2.70	34.62	2.74	33.37	2.82
		47	43	38.54	2.53	37.67	2.61	36.60	2.69	36.00	2.74	35.52	2.78	34.23	2.86
		50	46	38.65	2.51	37.87	2.59	36.93	2.66	36.40	2.70	35.97	2.73	34.75	2.81
		55	51	38.84	2.48	38.19	2.55	37.49	2.61	37.06	2.64	36.71	2.66	35.63	2.72
		60	56	39.03	2.46	38.52	2.51	38.04	2.55	37.72	2.57	37.46	2.59	36.50	2.63
		63	59	39.14	2.44	38.71	2.48	38.38	2.52	38.12	2.53	37.91	2.54	37.02	2.57
		68	64	39.25	2.43	38.91	2.46	38.71	2.49	38.52	2.49	38.36	2.50	37.56	2.52
		7 + 7 + 15 + 18	-4	-4.4	7.31	1.88	6.99	1.96	6.66	1.98	6.61	2.00	6.58	2.01	6.25
	0		-0.4	11.06	1.92	10.31	2.00	10.21	2.03	10.08	2.05	9.98	2.06	9.54	2.13
	5		4.5	15.52	1.97	14.76	2.04	14.43	2.08	14.20	2.11	14.02	2.13	13.45	2.20
	10		9	18.51	2.01	17.75	2.08	17.26	2.14	16.96	2.16	16.73	2.19	16.07	2.26
	17		15	21.79	2.07	21.03	2.14	20.37	2.20	20.00	2.24	19.71	2.27	18.95	2.34
	20		19	23.78	2.11	23.02	2.17	22.25	2.25	21.84	2.29	21.51	2.32	20.69	2.39
	25		23	27.11	2.18	26.30	2.24	25.39	2.33	24.91	2.37	24.52	2.41	23.60	2.48
	30		28	30.45	2.26	29.51	2.33	28.50	2.41	27.97	2.46	27.56	2.50	26.54	2.56
	35		32	33.80	2.34	32.72	2.42	31.61	2.48	31.04	2.54	30.59	2.59	29.48	2.65
	40		36	35.52	2.41	34.52	2.49	33.42	2.56	32.84	2.61	32.38	2.66	31.21	2.73
	45		41	37.67	2.49	36.77	2.58	35.69	2.66	35.10	2.70	34.62	2.74	33.37	2.82
	47		43	38.54	2.53	37.67	2.61	36.60	2.69	36.00	2.74	35.52	2.78	34.23	2.86
	50		46	38.65	2.51	37.87	2.59	36.93	2.66	36.40	2.70	35.97	2.73	34.75	2.81
	55		51	38.84	2.48	38.19	2.55	37.49	2.61	37.06	2.64	36.71	2.66	35.63	2.72
	60		56	39.03	2.46	38.52	2.51	38.04	2.55	37.72	2.57	37.46	2.59	36.50	2.63
	63		59	39.14	2.44	38.71	2.48	38.38	2.52	38.12	2.53	37.91	2.54	37.02	2.57
	68		64	39.25	2.43	38.91	2.46	38.71	2.49	38.52	2.49	38.36	2.50	37.56	2.52
	9 + 9 + 12 + 18		-4	-4.4	7.31	1.88	6.99	1.96	6.66	1.98	6.61	2.00	6.58	2.01	6.25
		0	-0.4	11.06	1.92	10.31	2.00	10.21	2.03	10.08	2.05	9.98	2.06	9.54	2.13
		5	4.5	15.52	1.97	14.76	2.04	14.43	2.08	14.20	2.11	14.02	2.13	13.45	2.20
		10	9	18.51	2.01	17.75	2.08	17.26	2.14	16.96	2.16	16.73	2.19	16.07	2.26
		17	15	21.79	2.07	21.03	2.14	20.37	2.20	20.00	2.24	19.71	2.27	18.95	2.34
		20	19	23.78	2.11	23.02	2.17	22.25	2.25	21.84	2.29	21.51	2.32	20.69	2.39
		25	23	27.11	2.18	26.30	2.24	25.39	2.33	24.91	2.37	24.52	2.41	23.60	2.48
		30	28	30.45	2.26	29.51	2.33	28.50	2.41	27.97	2.46	27.56	2.50	26.54	2.56
		35	32	33.80	2.34	32.72	2.42	31.61	2.48	31.04	2.54	30.59	2.59	29.48	2.65
		40	36	35.52	2.41	34.52	2.49	33.42	2.56	32.84	2.61	32.38	2.66	31.21	2.73
		45	41	37.67	2.49	36.77	2.58	35.69	2.66	35.10	2.70	34.62	2.74	33.37	2.82
		47	43	38.54	2.53	37.67	2.61	36.60	2.69	36.00	2.74	35.52	2.78	34.23	2.86

TC = Total Capacity (kBtu/h).

PI = Power Input (kW).

Nominal capacity as rated: 0 ft. above sea level with 25 ft. of refrigerant piping.
0 ft. level difference between outdoor and indoor units.

Nominal heating capacity rating obtained with air entering the indoor unit at 70°F dry bulb (DB) and 60°F wet bulb (WB), and outdoor ambient conditions of 47°F dry bulb (DB) and 43°F wet bulb (WB).

Multi F and Multi F MAX Heat Pump System Engineering Manual

PERFORMANCE DATA

Heating Capacity Tables

MULTI F
MULTI F MAX

Table 235: LMU36CHV Heating Capacity Table — Ducted Indoor Units (continued).

Connected Indoor Units	Combination Capacity Index	Outdoor Air Temp.		Indoor Air Temp. °F DB											
		°F DB	°F WB	61		64		68		70		72		75	
				TC	PI	TC	PI	TC	PI	TC	PI	TC	PI	TC	PI
Two (2) Ducted Indoor Units	9 + 12	-4	-4.4	5.38	1.67	5.15	1.74	4.92	1.76	4.88	1.77	4.84	1.78	4.61	1.84
		0	-0.4	7.52	1.69	7.03	1.76	6.95	1.79	6.86	1.80	6.78	1.82	6.49	1.88
		5	4.5	10.06	1.72	9.57	1.79	9.36	1.82	9.21	1.84	9.09	1.86	8.72	1.92
		10	9	11.76	1.75	11.28	1.81	10.97	1.86	10.78	1.88	10.63	1.90	10.21	1.96
		17	15	13.63	1.79	13.16	1.84	12.74	1.90	12.51	1.93	12.33	1.96	11.86	2.01
		20	19	14.77	1.81	14.30	1.87	13.82	1.93	13.56	1.97	13.36	1.99	12.85	2.05
		25	23	16.67	1.86	16.17	1.91	15.61	1.98	15.31	2.02	15.08	2.05	14.51	2.11
		30	28	18.58	1.91	18.00	1.97	17.38	2.03	17.06	2.08	16.81	2.11	16.19	2.17
		35	32	20.49	1.96	19.83	2.03	19.16	2.09	18.81	2.13	18.54	2.17	17.87	2.23
		40	36	21.53	2.02	20.93	2.09	20.26	2.15	19.91	2.19	19.63	2.23	18.92	2.29
		45	41	22.83	2.09	22.29	2.16	21.63	2.23	21.27	2.27	20.99	2.30	20.22	2.37
		47	43	23.36	2.12	22.83	2.19	22.18	2.26	21.82	2.30	21.53	2.33	20.75	2.40
		50	46	23.43	2.11	22.95	2.17	22.38	2.23	22.06	2.27	21.80	2.29	21.06	2.36
		55	51	23.54	2.09	23.15	2.14	22.72	2.19	22.46	2.21	22.25	2.23	21.59	2.28
		60	56	23.65	2.06	23.35	2.10	23.06	2.14	22.86	2.16	22.70	2.17	22.12	2.20
		63	59	23.72	2.05	23.46	2.08	23.26	2.11	23.10	2.12	22.97	2.13	22.44	2.16
		68	64	23.79	2.04	23.58	2.06	23.47	2.09	23.35	2.09	23.25	2.10	22.76	2.11
		12 + 12	-4	-4.4	6.15	1.82	5.88	1.89	5.62	1.92	5.57	1.93	5.53	1.94	5.27
	0		-0.4	8.59	1.85	8.03	1.92	7.94	1.95	7.83	1.97	7.75	1.98	7.41	2.05
	5		4.5	11.49	1.88	10.94	1.95	10.69	1.99	10.52	2.01	10.38	2.03	9.96	2.10
	10		9	13.44	1.91	12.89	1.98	12.53	2.03	12.32	2.05	12.15	2.08	11.67	2.14
	17		15	15.58	1.95	15.04	2.01	14.56	2.07	14.30	2.11	14.09	2.14	13.55	2.20
	20		19	16.87	1.98	16.34	2.04	15.79	2.11	15.50	2.15	15.26	2.18	14.68	2.24
	25		23	19.04	2.03	18.48	2.08	17.83	2.16	17.50	2.21	17.23	2.24	16.58	2.30
	30		28	21.22	2.08	20.57	2.15	19.86	2.22	19.50	2.27	19.20	2.31	18.50	2.37
	35		32	23.41	2.14	22.66	2.22	21.89	2.28	21.50	2.33	21.18	2.37	20.42	2.43
	40		36	24.60	2.20	23.91	2.28	23.15	2.35	22.74	2.40	22.42	2.43	21.61	2.50
	45		41	26.09	2.28	25.47	2.36	24.72	2.43	24.31	2.48	23.98	2.51	23.11	2.59
	47		43	26.69	2.31	26.09	2.39	25.34	2.47	24.93	2.51	24.60	2.54	23.70	2.62
	50		46	26.76	2.30	26.22	2.37	25.58	2.44	25.20	2.47	24.91	2.50	24.07	2.57
	55		51	26.89	2.28	26.45	2.33	25.96	2.39	25.66	2.41	25.42	2.44	24.67	2.49
	60		56	27.03	2.25	26.67	2.29	26.35	2.34	26.12	2.35	25.94	2.37	25.28	2.41
	63		59	27.10	2.24	26.81	2.27	26.58	2.31	26.39	2.32	26.25	2.33	25.64	2.36
	68		64	27.18	2.22	26.94	2.25	26.81	2.28	26.67	2.28	26.56	2.29	26.01	2.31
	9 + 18		-4	-4.4	6.92	2.00	6.62	2.08	6.32	2.11	6.27	2.12	6.23	2.13	5.93
		0	-0.4	9.67	2.03	9.03	2.11	8.93	2.14	8.81	2.16	8.72	2.18	8.34	2.26
		5	4.5	12.93	2.07	12.31	2.14	12.03	2.19	11.84	2.21	11.68	2.23	11.21	2.31
		10	9	15.12	2.10	14.50	2.17	14.10	2.23	13.86	2.26	13.67	2.28	13.13	2.35
		17	15	17.53	2.14	16.92	2.21	16.38	2.28	16.09	2.32	15.85	2.35	15.24	2.42
		20	19	18.99	2.17	18.38	2.24	17.77	2.32	17.44	2.36	17.17	2.39	16.52	2.46
		25	23	21.42	2.23	20.79	2.29	20.07	2.38	19.69	2.43	19.38	2.46	18.65	2.53
		30	28	23.88	2.29	23.14	2.37	22.35	2.44	21.94	2.49	21.61	2.54	20.81	2.60
		35	32	26.34	2.36	25.50	2.44	24.63	2.50	24.19	2.56	23.83	2.61	22.97	2.67
		40	36	27.68	2.42	26.90	2.51	26.04	2.58	25.59	2.63	25.23	2.68	24.32	2.75
		45	41	29.35	2.51	28.65	2.59	27.81	2.68	27.35	2.72	26.98	2.76	26.00	2.84
		47	43	30.03	2.54	29.35	2.63	28.52	2.71	28.05	2.76	27.68	2.80	26.67	2.88
		50	46	30.11	2.53	29.51	2.60	28.78	2.68	28.36	2.72	28.03	2.75	27.08	2.83
		55	51	30.26	2.50	29.76	2.56	29.21	2.62	28.87	2.65	28.61	2.68	27.76	2.74
60		56	30.41	2.48	30.01	2.52	29.64	2.57	29.39	2.59	29.19	2.60	28.44	2.64	
63		59	30.50	2.46	30.16	2.50	29.90	2.54	29.70	2.55	29.53	2.56	28.85	2.59	
68		64	30.58	2.44	30.32	2.47	30.17	2.50	30.01	2.51	29.89	2.52	29.26	2.54	

TC = Total Capacity (kBtu/h).

PI = Power Input (kW).

Nominal capacity as rated: 0 ft. above sea level with 25 ft. of refrigerant piping.
0 ft. level difference between outdoor and indoor units.

Nominal heating capacity rating obtained with air entering the indoor unit at 70°F dry bulb (DB) and 60°F wet bulb (WB), and outdoor ambient conditions of 47°F dry bulb (DB) and 43°F wet bulb (WB).



Table 236: LMU369HV Heating Capacity Table — Ducted Indoor Units (continued).

Connected Indoor Units	Combination Capacity Index	Outdoor Air Temp.		Indoor Air Temp. °F DB											
		°F DB	°F WB	61		64		68		70		72		75	
				TC	PI	TC	PI	TC	PI	TC	PI	TC	PI	TC	PI
Two (2) Ducted Indoor Units	12 + 18	-4	-4.4	7.69	2.16	7.36	2.25	7.02	2.28	6.97	2.29	6.92	2.30	6.59	2.39
		0	-0.4	10.74	2.19	10.04	2.28	9.92	2.31	9.79	2.34	9.69	2.35	9.27	2.44
		5	4.5	14.37	2.23	13.68	2.31	13.36	2.36	13.15	2.39	12.98	2.41	12.46	2.49
		10	9	16.80	2.27	16.12	2.35	15.67	2.40	15.40	2.44	15.19	2.46	14.59	2.54
		17	15	19.48	2.31	18.80	2.39	18.21	2.46	17.88	2.50	17.61	2.54	16.94	2.61
		20	19	21.10	2.35	20.42	2.42	19.74	2.50	19.38	2.55	19.08	2.58	18.36	2.66
		25	23	23.81	2.40	23.10	2.47	22.30	2.57	21.88	2.62	21.54	2.66	20.73	2.73
		30	28	26.54	2.47	25.72	2.56	24.83	2.63	24.38	2.69	24.01	2.74	23.13	2.81
		35	32	29.26	2.54	28.33	2.63	27.37	2.70	26.88	2.77	26.48	2.82	25.53	2.88
		40	36	30.76	2.62	29.89	2.71	28.94	2.79	28.44	2.84	28.04	2.89	27.02	2.97
		45	41	32.62	2.71	31.84	2.80	30.90	2.89	30.39	2.94	29.98	2.98	28.89	3.07
		47	43	33.37	2.75	32.62	2.84	31.69	2.93	31.17	2.98	30.76	3.02	29.64	3.11
		50	46	33.46	2.73	32.79	2.81	31.98	2.89	31.51	2.94	31.14	2.97	30.09	3.05
		55	51	33.63	2.70	33.07	2.77	32.46	2.83	32.09	2.87	31.79	2.89	30.85	2.95
		60	56	33.79	2.67	33.35	2.72	32.94	2.77	32.66	2.80	32.43	2.81	31.60	2.86
		63	59	33.89	2.66	33.52	2.70	33.23	2.74	33.00	2.75	32.82	2.76	32.06	2.80
		68	64	33.99	2.64	33.69	2.67	33.52	2.70	33.35	2.71	33.21	2.72	32.52	2.74
		9 + 24	-4	-4.4	8.38	2.26	8.02	2.35	7.66	2.38	7.60	2.39	7.55	2.40	7.19
	0		-0.4	11.72	2.29	10.95	2.38	10.82	2.42	10.68	2.44	10.57	2.45	10.11	2.54
	5		4.5	15.68	2.33	14.92	2.41	14.58	2.46	14.35	2.49	14.16	2.52	13.59	2.60
	10		9	18.33	2.37	17.58	2.45	17.09	2.51	16.80	2.54	16.57	2.57	15.91	2.65
	17		15	21.24	2.42	20.51	2.49	19.86	2.57	19.50	2.61	19.21	2.65	18.47	2.72
	20		19	23.01	2.45	22.28	2.52	21.54	2.61	21.14	2.66	20.82	2.70	20.03	2.77
	25		23	25.97	2.51	25.20	2.58	24.32	2.68	23.86	2.73	23.49	2.78	22.61	2.85
	30		28	28.95	2.58	28.05	2.67	27.09	2.75	26.59	2.81	26.19	2.86	25.23	2.93
	35		32	31.92	2.65	30.90	2.75	29.85	2.82	29.32	2.89	28.89	2.94	27.84	3.01
	40		36	33.55	2.73	32.61	2.83	31.57	2.91	31.02	2.97	30.58	3.02	29.47	3.10
	45		41	35.58	2.83	34.73	2.92	33.71	3.01	33.15	3.07	32.70	3.11	31.51	3.20
	47		43	36.39	2.87	35.58	2.96	34.56	3.06	34.00	3.11	33.55	3.15	32.33	3.25
	50		46	36.50	2.85	35.77	2.94	34.88	3.02	34.37	3.07	33.97	3.10	32.82	3.19
	55		51	36.68	2.82	36.07	2.89	35.41	2.96	35.00	2.99	34.67	3.02	33.65	3.08
	60		56	36.86	2.79	36.38	2.84	35.93	2.90	35.62	2.92	35.38	2.93	34.47	2.98
	63		59	36.96	2.77	36.56	2.82	36.25	2.86	36.00	2.87	35.80	2.88	34.97	2.92
	68		64	37.07	2.75	36.75	2.79	36.56	2.82	36.38	2.83	36.23	2.83	35.47	2.86
	18 + 18		-4	-4.4	8.38	2.26	8.02	2.35	7.66	2.38	7.60	2.39	7.55	2.40	7.19
		0	-0.4	11.72	2.29	10.95	2.38	10.82	2.42	10.68	2.44	10.57	2.45	10.11	2.54
		5	4.5	15.68	2.33	14.92	2.41	14.58	2.46	14.35	2.49	14.16	2.52	13.59	2.60
		10	9	18.33	2.37	17.58	2.45	17.09	2.51	16.80	2.54	16.57	2.57	15.91	2.65
		17	15	21.24	2.42	20.51	2.49	19.86	2.57	19.50	2.61	19.21	2.65	18.47	2.72
		20	19	23.01	2.45	22.28	2.52	21.54	2.61	21.14	2.66	20.82	2.70	20.03	2.77
		25	23	25.97	2.51	25.20	2.58	24.32	2.68	23.86	2.73	23.49	2.78	22.61	2.85
		30	28	28.95	2.58	28.05	2.67	27.09	2.75	26.59	2.81	26.19	2.86	25.23	2.93
		35	32	31.92	2.65	30.90	2.75	29.85	2.82	29.32	2.89	28.89	2.94	27.84	3.01
		40	36	33.55	2.73	32.61	2.83	31.57	2.91	31.02	2.97	30.58	3.02	29.47	3.10
		45	41	35.58	2.83	34.73	2.92	33.71	3.01	33.15	3.07	32.70	3.11	31.51	3.20
		47	43	36.39	2.87	35.58	2.96	34.56	3.06	34.00	3.11	33.55	3.15	32.33	3.25
		50	46	36.50	2.85	35.77	2.94	34.88	3.02	34.37	3.07	33.97	3.10	32.82	3.19
		55	51	36.68	2.82	36.07	2.89	35.41	2.96	35.00	2.99	34.67	3.02	33.65	3.08
60		56	36.86	2.79	36.38	2.84	35.93	2.90	35.62	2.92	35.38	2.93	34.47	2.98	
63		59	36.96	2.77	36.56	2.82	36.25	2.86	36.00	2.87	35.80	2.88	34.97	2.92	
68		64	37.07	2.75	36.75	2.79	36.56	2.82	36.38	2.83	36.23	2.83	35.47	2.86	

TC = Total Capacity (kBtu/h).

PI = Power Input (kW).

Nominal capacity as rated: 0 ft. above sea level with 25 ft. of refrigerant piping.
0 ft. level difference between outdoor and indoor units.

Nominal heating capacity rating obtained with air entering the indoor unit at 70°F dry bulb (DB) and 60°F wet bulb (WB), and outdoor ambient conditions of 47°F dry bulb (DB) and 43°F wet bulb (WB).

PERFORMANCE DATA

Heating Capacity Tables

MULTI F
MULTI F MAX

Table 237: LMU36CHV Heating Capacity Table — Ducted Indoor Units (continued).

Connected Indoor Units	Combination Capacity Index	Outdoor Air Temp.		Indoor Air Temp. °F DB											
		°F DB	°F WB	61		64		68		70		72		75	
				TC	PI	TC	PI	TC	PI	TC	PI	TC	PI	TC	PI
Two (2) Ducted Indoor Units	12 + 24	-4	-4.4	8.38	2.26	8.02	2.35	7.66	2.38	7.60	2.39	7.55	2.40	7.19	2.49
		0	-0.4	11.72	2.29	10.95	2.38	10.82	2.42	10.68	2.44	10.57	2.45	10.11	2.54
		5	4.5	15.68	2.33	14.92	2.41	14.58	2.46	14.35	2.49	14.16	2.52	13.59	2.60
		10	9	18.33	2.37	17.58	2.45	17.09	2.51	16.80	2.54	16.57	2.57	15.91	2.65
		17	15	21.24	2.42	20.51	2.49	19.86	2.57	19.50	2.61	19.21	2.65	18.47	2.72
		20	19	23.01	2.45	22.28	2.52	21.54	2.61	21.14	2.66	20.82	2.70	20.03	2.77
		25	23	25.97	2.51	25.20	2.58	24.32	2.68	23.86	2.73	23.49	2.78	22.61	2.85
		30	28	28.95	2.58	28.05	2.67	27.09	2.75	26.59	2.81	26.19	2.86	25.23	2.93
		35	32	31.92	2.65	30.90	2.75	29.85	2.82	29.32	2.89	28.89	2.94	27.84	3.01
		40	36	33.55	2.73	32.61	2.83	31.57	2.91	31.02	2.97	30.58	3.02	29.47	3.10
		45	41	35.58	2.83	34.73	2.92	33.71	3.01	33.15	3.07	32.70	3.11	31.51	3.20
		47	43	36.39	2.87	35.58	2.96	34.56	3.06	34.00	3.11	33.55	3.15	32.33	3.25
		50	46	36.50	2.85	35.77	2.94	34.88	3.02	34.37	3.07	33.97	3.10	32.82	3.19
		55	51	36.68	2.82	36.07	2.89	35.41	2.96	35.00	2.99	34.67	3.02	33.65	3.08
		60	56	36.86	2.79	36.38	2.84	35.93	2.90	35.62	2.92	35.38	2.93	34.47	2.98
		63	59	36.96	2.77	36.56	2.82	36.25	2.86	36.00	2.87	35.80	2.88	34.97	2.92
		68	64	37.07	2.75	36.75	2.79	36.56	2.82	36.38	2.83	36.23	2.83	35.47	2.86
		Three (3) Ducted Indoor Units	9 + 9 + 9	-4	-4.4	6.92	1.92	6.62	1.99	6.32	2.02	6.27	2.03	6.23	2.04
0	-0.4			9.67	1.94	9.03	2.02	8.93	2.05	8.81	2.07	8.72	2.08	8.34	2.16
5	4.5			12.93	1.98	12.31	2.05	12.03	2.09	11.84	2.12	11.68	2.14	11.21	2.21
10	9			15.12	2.01	14.50	2.08	14.10	2.13	13.86	2.16	13.67	2.18	13.13	2.25
17	15			17.53	2.05	16.92	2.12	16.38	2.18	16.09	2.22	15.85	2.25	15.24	2.31
20	19			18.99	2.08	18.38	2.14	17.77	2.22	17.44	2.26	17.17	2.29	16.52	2.35
25	23			21.42	2.13	20.79	2.19	20.07	2.28	19.69	2.32	19.38	2.36	18.65	2.42
30	28			23.88	2.19	23.14	2.26	22.35	2.33	21.94	2.39	21.61	2.43	20.81	2.49
35	32			26.34	2.25	25.50	2.33	24.63	2.39	24.19	2.45	23.83	2.49	22.97	2.56
40	36			27.68	2.32	26.90	2.40	26.04	2.47	25.59	2.52	25.23	2.56	24.32	2.63
45	41			29.35	2.40	28.65	2.48	27.81	2.56	27.35	2.61	26.98	2.64	26.00	2.72
47	43			30.03	2.43	29.35	2.51	28.52	2.60	28.05	2.64	27.68	2.68	26.67	2.76
50	46			30.11	2.42	29.51	2.49	28.78	2.56	28.36	2.60	28.03	2.63	27.08	2.70
55	51			30.26	2.39	29.76	2.45	29.21	2.51	28.87	2.54	28.61	2.56	27.76	2.62
60	56			30.41	2.37	30.01	2.41	29.64	2.46	29.39	2.48	29.19	2.49	28.44	2.53
63	59			30.50	2.35	30.16	2.39	29.90	2.43	29.70	2.44	29.53	2.45	28.85	2.48
68	64		30.58	2.34	30.32	2.37	30.17	2.39	30.01	2.40	29.89	2.41	29.26	2.43	
9 + 9 + 12	-4		-4.4	7.69	2.03	7.36	2.11	7.02	2.14	6.97	2.15	6.92	2.16	6.59	2.25
	0		-0.4	10.74	2.06	10.04	2.14	9.92	2.18	9.79	2.19	9.69	2.21	9.27	2.29
	5		4.5	14.37	2.10	13.68	2.17	13.36	2.22	13.15	2.24	12.98	2.26	12.46	2.34
	10		9	16.80	2.13	16.12	2.20	15.67	2.26	15.40	2.29	15.19	2.32	14.59	2.39
	17		15	19.48	2.17	18.80	2.24	18.21	2.31	17.88	2.35	17.61	2.38	16.94	2.45
	20		19	21.10	2.20	20.42	2.27	19.74	2.35	19.38	2.39	19.08	2.43	18.36	2.50
	25		23	23.81	2.26	23.10	2.33	22.30	2.41	21.88	2.46	21.54	2.50	20.73	2.57
	30		28	26.54	2.32	25.72	2.40	24.83	2.48	24.38	2.53	24.01	2.57	23.13	2.64
	35		32	29.26	2.39	28.33	2.48	27.37	2.54	26.88	2.60	26.48	2.65	25.53	2.71
	40		36	30.76	2.46	29.89	2.55	28.94	2.62	28.44	2.67	28.04	2.72	27.02	2.79
	45		41	32.62	2.55	31.84	2.63	30.90	2.71	30.39	2.76	29.98	2.80	28.89	2.88
	47		43	33.37	2.58	32.62	2.67	31.69	2.75	31.17	2.80	30.76	2.84	29.64	2.92
	50		46	33.46	2.57	32.79	2.64	31.98	2.72	31.51	2.76	31.14	2.79	30.09	2.87
	55		51	33.63	2.54	33.07	2.60	32.46	2.66	32.09	2.69	31.79	2.72	30.85	2.78
	60		56	33.79	2.51	33.35	2.56	32.94	2.61	32.66	2.63	32.43	2.64	31.60	2.68
	63	59	33.89	2.50	33.52	2.54	33.23	2.57	33.00	2.59	32.82	2.60	32.06	2.63	
68	64	33.99	2.48	33.69	2.51	33.52	2.54	33.35	2.55	33.21	2.55	32.52	2.57		

TC = Total Capacity (kBtu/h).

PI = Power Input (kW).

Nominal capacity as rated: 0 ft. above sea level with 25 ft. of refrigerant piping.
0 ft. level difference between outdoor and indoor units.

Nominal heating capacity rating obtained with air entering the indoor unit at 70°F dry bulb (DB) and 60°F wet bulb (WB), and outdoor ambient conditions of 47°F dry bulb (DB) and 43°F wet bulb (WB).



Table 238: LMU36CHV Heating Capacity Table — Ducted Indoor Units (continued).

Connected Indoor Units	Combination Capacity Index	Outdoor Air Temp.		Indoor Air Temp. °F DB											
		°F DB	°F WB	61		64		68		70		72		75	
				TC	PI	TC	PI	TC	PI	TC	PI	TC	PI	TC	PI
Three (3) Ducted Indoor Units	9 + 12 + 12	-4	-4.4	8.38	2.13	8.02	2.21	7.66	2.24	7.60	2.25	7.55	2.27	7.19	2.35
		0	-0.4	11.72	2.16	10.95	2.24	10.82	2.28	10.68	2.30	10.57	2.31	10.11	2.39
		5	4.5	15.68	2.20	14.92	2.27	14.58	2.32	14.35	2.35	14.16	2.37	13.59	2.45
		10	9	18.33	2.23	17.58	2.31	17.09	2.36	16.80	2.40	16.57	2.42	15.91	2.50
		17	15	21.24	2.28	20.51	2.35	19.86	2.42	19.50	2.46	19.21	2.49	18.47	2.57
		20	19	23.01	2.31	22.28	2.38	21.54	2.46	21.14	2.50	20.82	2.54	20.03	2.61
		25	23	25.97	2.36	25.20	2.43	24.32	2.52	23.86	2.58	23.49	2.62	22.61	2.69
		30	28	28.95	2.43	28.05	2.51	27.09	2.59	26.59	2.65	26.19	2.69	25.23	2.76
		35	32	31.92	2.50	30.90	2.59	29.85	2.66	29.32	2.72	28.89	2.77	27.84	2.84
		40	36	33.55	2.57	32.61	2.66	31.57	2.74	31.02	2.80	30.58	2.84	29.47	2.92
		45	41	35.58	2.67	34.73	2.75	33.71	2.84	33.15	2.89	32.70	2.93	31.51	3.02
		47	43	36.39	2.70	35.58	2.79	34.56	2.88	34.00	2.93	33.55	2.97	32.33	3.06
		50	46	36.50	2.68	35.77	2.77	34.88	2.85	34.37	2.89	33.97	2.92	32.82	3.00
		55	51	36.68	2.66	36.07	2.72	35.41	2.79	35.00	2.82	34.67	2.84	33.65	2.90
		60	56	36.86	2.63	36.38	2.68	35.93	2.73	35.62	2.75	35.38	2.76	34.47	2.81
		63	59	36.96	2.61	36.56	2.65	36.25	2.69	36.00	2.71	35.80	2.72	34.97	2.75
		68	64	37.07	2.59	36.75	2.63	36.56	2.66	36.38	2.67	36.23	2.67	35.47	2.69
		9 + 9 + 18	-4	-4.4	8.38	2.13	8.02	2.21	7.66	2.24	7.60	2.25	7.55	2.27	7.19
	0		-0.4	11.72	2.16	10.95	2.24	10.82	2.28	10.68	2.30	10.57	2.31	10.11	2.39
	5		4.5	15.68	2.20	14.92	2.27	14.58	2.32	14.35	2.35	14.16	2.37	13.59	2.45
	10		9	18.33	2.23	17.58	2.31	17.09	2.36	16.80	2.40	16.57	2.42	15.91	2.50
	17		15	21.24	2.28	20.51	2.35	19.86	2.42	19.50	2.46	19.21	2.49	18.47	2.57
	20		19	23.01	2.31	22.28	2.38	21.54	2.46	21.14	2.50	20.82	2.54	20.03	2.61
	25		23	25.97	2.36	25.20	2.43	24.32	2.52	23.86	2.58	23.49	2.62	22.61	2.69
	30		28	28.95	2.43	28.05	2.51	27.09	2.59	26.59	2.65	26.19	2.69	25.23	2.76
	35		32	31.92	2.50	30.90	2.59	29.85	2.66	29.32	2.72	28.89	2.77	27.84	2.84
	40		36	33.55	2.57	32.61	2.66	31.57	2.74	31.02	2.80	30.58	2.84	29.47	2.92
	45		41	35.58	2.67	34.73	2.75	33.71	2.84	33.15	2.89	32.70	2.93	31.51	3.02
	47		43	36.39	2.70	35.58	2.79	34.56	2.88	34.00	2.93	33.55	2.97	32.33	3.06
	50		46	36.50	2.68	35.77	2.77	34.88	2.85	34.37	2.89	33.97	2.92	32.82	3.00
	55		51	36.68	2.66	36.07	2.72	35.41	2.79	35.00	2.82	34.67	2.84	33.65	2.90
	60		56	36.86	2.63	36.38	2.68	35.93	2.73	35.62	2.75	35.38	2.76	34.47	2.81
	63		59	36.96	2.61	36.56	2.65	36.25	2.69	36.00	2.71	35.80	2.72	34.97	2.75
	68		64	37.07	2.59	36.75	2.63	36.56	2.66	36.38	2.67	36.23	2.67	35.47	2.69
	12 + 12 + 12		-4	-4.4	8.38	2.13	8.02	2.21	7.66	2.24	7.60	2.25	7.55	2.27	7.19
		0	-0.4	11.72	2.16	10.95	2.24	10.82	2.28	10.68	2.30	10.57	2.31	10.11	2.39
		5	4.5	15.68	2.20	14.92	2.27	14.58	2.32	14.35	2.35	14.16	2.37	13.59	2.45
		10	9	18.33	2.23	17.58	2.31	17.09	2.36	16.80	2.40	16.57	2.42	15.91	2.50
		17	15	21.24	2.28	20.51	2.35	19.86	2.42	19.50	2.46	19.21	2.49	18.47	2.57
		20	19	23.01	2.31	22.28	2.38	21.54	2.46	21.14	2.50	20.82	2.54	20.03	2.61
		25	23	25.97	2.36	25.20	2.43	24.32	2.52	23.86	2.58	23.49	2.62	22.61	2.69
		30	28	28.95	2.43	28.05	2.51	27.09	2.59	26.59	2.65	26.19	2.69	25.23	2.76
		35	32	31.92	2.50	30.90	2.59	29.85	2.66	29.32	2.72	28.89	2.77	27.84	2.84
		40	36	33.55	2.57	32.61	2.66	31.57	2.74	31.02	2.80	30.58	2.84	29.47	2.92
		45	41	35.58	2.67	34.73	2.75	33.71	2.84	33.15	2.89	32.70	2.93	31.51	3.02
		47	43	36.39	2.70	35.58	2.79	34.56	2.88	34.00	2.93	33.55	2.97	32.33	3.06
		50	46	36.50	2.68	35.77	2.77	34.88	2.85	34.37	2.89	33.97	2.92	32.82	3.00
		55	51	36.68	2.66	36.07	2.72	35.41	2.79	35.00	2.82	34.67	2.84	33.65	2.90
60		56	36.86	2.63	36.38	2.68	35.93	2.73	35.62	2.75	35.38	2.76	34.47	2.81	
63		59	36.96	2.61	36.56	2.65	36.25	2.69	36.00	2.71	35.80	2.72	34.97	2.75	
68		64	37.07	2.59	36.75	2.63	36.56	2.66	36.38	2.67	36.23	2.67	35.47	2.69	

TC = Total Capacity (kBtu/h).

PI = Power Input (kW).

Nominal capacity as rated: 0 ft. above sea level with 25 ft. of refrigerant piping.
0 ft. level difference between outdoor and indoor units.

Nominal heating capacity rating obtained with air entering the indoor unit at 70°F dry bulb (DB) and 60°F wet bulb (WB), and outdoor ambient conditions of 47°F dry bulb (DB) and 43°F wet bulb (WB).

PERFORMANCE DATA

Heating Capacity Tables

MULTI F
MULTI F MAX

Table 239: LMU36CHV Heating Capacity Table — Ducted Indoor Units (continued).

Connected Indoor Units	Combination Capacity Index	Outdoor Air Temp.		Indoor Air Temp. °F DB											
		°F DB	°F WB	61		64		68		70		72		75	
				TC	PI	TC	PI	TC	PI	TC	PI	TC	PI	TC	PI
Three (3) Ducted Indoor Units	9 + 12 + 18	-4	-4.4	8.38	2.13	8.02	2.21	7.66	2.24	7.60	2.25	7.55	2.27	7.19	2.35
		0	-0.4	11.72	2.16	10.95	2.24	10.82	2.28	10.68	2.30	10.57	2.31	10.11	2.39
		5	4.5	15.68	2.20	14.92	2.27	14.58	2.32	14.35	2.35	14.16	2.37	13.59	2.45
		10	9	18.33	2.23	17.58	2.31	17.09	2.36	16.80	2.40	16.57	2.42	15.91	2.50
		17	15	21.24	2.28	20.51	2.35	19.86	2.42	19.50	2.46	19.21	2.49	18.47	2.57
		20	19	23.01	2.31	22.28	2.38	21.54	2.46	21.14	2.50	20.82	2.54	20.03	2.61
		25	23	25.97	2.36	25.20	2.43	24.32	2.52	23.86	2.58	23.49	2.62	22.61	2.69
		30	28	28.95	2.43	28.05	2.51	27.09	2.59	26.59	2.65	26.19	2.69	25.23	2.76
		35	32	31.92	2.50	30.90	2.59	29.85	2.66	29.32	2.72	28.89	2.77	27.84	2.84
		40	36	33.55	2.57	32.61	2.66	31.57	2.74	31.02	2.80	30.58	2.84	29.47	2.92
		45	41	35.58	2.67	34.73	2.75	33.71	2.84	33.15	2.89	32.70	2.93	31.51	3.02
		47	43	36.39	2.70	35.58	2.79	34.56	2.88	34.00	2.93	33.55	2.97	32.33	3.06
		50	46	36.50	2.68	35.77	2.77	34.88	2.85	34.37	2.89	33.97	2.92	32.82	3.00
		55	51	36.68	2.66	36.07	2.72	35.41	2.79	35.00	2.82	34.67	2.84	33.65	2.90
		60	56	36.86	2.63	36.38	2.68	35.93	2.73	35.62	2.75	35.38	2.76	34.47	2.81
		63	59	36.96	2.61	36.56	2.65	36.25	2.69	36.00	2.71	35.80	2.72	34.97	2.75
		68	64	37.07	2.59	36.75	2.63	36.56	2.66	36.38	2.67	36.23	2.67	35.47	2.69
		12 + 12 + 18	-4	-4.4	8.38	2.13	8.02	2.21	7.66	2.24	7.60	2.25	7.55	2.27	7.19
	0		-0.4	11.72	2.16	10.95	2.24	10.82	2.28	10.68	2.30	10.57	2.31	10.11	2.39
	5		4.5	15.68	2.20	14.92	2.27	14.58	2.32	14.35	2.35	14.16	2.37	13.59	2.45
	10		9	18.33	2.23	17.58	2.31	17.09	2.36	16.80	2.40	16.57	2.42	15.91	2.50
	17		15	21.24	2.28	20.51	2.35	19.86	2.42	19.50	2.46	19.21	2.49	18.47	2.57
	20		19	23.01	2.31	22.28	2.38	21.54	2.46	21.14	2.50	20.82	2.54	20.03	2.61
	25		23	25.97	2.36	25.20	2.43	24.32	2.52	23.86	2.58	23.49	2.62	22.61	2.69
	30		28	28.95	2.43	28.05	2.51	27.09	2.59	26.59	2.65	26.19	2.69	25.23	2.76
	35		32	31.92	2.50	30.90	2.59	29.85	2.66	29.32	2.72	28.89	2.77	27.84	2.84
	40		36	33.55	2.57	32.61	2.66	31.57	2.74	31.02	2.80	30.58	2.84	29.47	2.92
	45		41	35.58	2.67	34.73	2.75	33.71	2.84	33.15	2.89	32.70	2.93	31.51	3.02
	47		43	36.39	2.70	35.58	2.79	34.56	2.88	34.00	2.93	33.55	2.97	32.33	3.06
	50		46	36.50	2.68	35.77	2.77	34.88	2.85	34.37	2.89	33.97	2.92	32.82	3.00
	55		51	36.68	2.66	36.07	2.72	35.41	2.79	35.00	2.82	34.67	2.84	33.65	2.90
	60		56	36.86	2.63	36.38	2.68	35.93	2.73	35.62	2.75	35.38	2.76	34.47	2.81
	63		59	36.96	2.61	36.56	2.65	36.25	2.69	36.00	2.71	35.80	2.72	34.97	2.75
	68		64	37.07	2.59	36.75	2.63	36.56	2.66	36.38	2.67	36.23	2.67	35.47	2.69
	9 + 18 + 18		-4	-4.4	8.38	2.13	8.02	2.21	7.66	2.24	7.60	2.25	7.55	2.27	7.19
		0	-0.4	11.72	2.16	10.95	2.24	10.82	2.28	10.68	2.30	10.57	2.31	10.11	2.39
		5	4.5	15.68	2.20	14.92	2.27	14.58	2.32	14.35	2.35	14.16	2.37	13.59	2.45
		10	9	18.33	2.23	17.58	2.31	17.09	2.36	16.80	2.40	16.57	2.42	15.91	2.50
		17	15	21.24	2.28	20.51	2.35	19.86	2.42	19.50	2.46	19.21	2.49	18.47	2.57
		20	19	23.01	2.31	22.28	2.38	21.54	2.46	21.14	2.50	20.82	2.54	20.03	2.61
		25	23	25.97	2.36	25.20	2.43	24.32	2.52	23.86	2.58	23.49	2.62	22.61	2.69
		30	28	28.95	2.43	28.05	2.51	27.09	2.59	26.59	2.65	26.19	2.69	25.23	2.76
		35	32	31.92	2.50	30.90	2.59	29.85	2.66	29.32	2.72	28.89	2.77	27.84	2.84
		40	36	33.55	2.57	32.61	2.66	31.57	2.74	31.02	2.80	30.58	2.84	29.47	2.92
		45	41	35.58	2.67	34.73	2.75	33.71	2.84	33.15	2.89	32.70	2.93	31.51	3.02
		47	43	36.39	2.70	35.58	2.79	34.56	2.88	34.00	2.93	33.55	2.97	32.33	3.06
		50	46	36.50	2.68	35.77	2.77	34.88	2.85	34.37	2.89	33.97	2.92	32.82	3.00
		55	51	36.68	2.66	36.07	2.72	35.41	2.79	35.00	2.82	34.67	2.84	33.65	2.90
60		56	36.86	2.63	36.38	2.68	35.93	2.73	35.62	2.75	35.38	2.76	34.47	2.81	
63		59	36.96	2.61	36.56	2.65	36.25	2.69	36.00	2.71	35.80	2.72	34.97	2.75	
68		64	37.07	2.59	36.75	2.63	36.56	2.66	36.38	2.67	36.23	2.67	35.47	2.69	

TC = Total Capacity (kBtu/h).

PI = Power Input (kW).

Nominal capacity as rated: 0 ft. above sea level with 25 ft. of refrigerant piping.
0 ft. level difference between outdoor and indoor units.

Nominal heating capacity rating obtained with air entering the indoor unit at 70°F dry bulb (DB) and 60°F wet bulb (WB), and outdoor ambient conditions of 47°F dry bulb (DB) and 43°F wet bulb (WB).



Table 240: LMU36CHV Heating Capacity Table — Ducted Indoor Units (continued).

Connected Indoor Units	Combination Capacity Index	Outdoor Air Temp.		Indoor Air Temp. °F DB											
		°F DB	°F WB	61		64		68		70		72		75	
				TC	PI	TC	PI	TC	PI	TC	PI	TC	PI	TC	PI
Three (3) Ducted Indoor Units	12 + 18 + 18	-4	-4.4	8.38	2.13	8.02	2.21	7.66	2.24	7.60	2.25	7.55	2.27	7.19	2.35
		0	-0.4	11.72	2.16	10.95	2.24	10.82	2.28	10.68	2.30	10.57	2.31	10.11	2.39
		5	4.5	15.68	2.20	14.92	2.27	14.58	2.32	14.35	2.35	14.16	2.37	13.59	2.45
		10	9	18.33	2.23	17.58	2.31	17.09	2.36	16.80	2.40	16.57	2.42	15.91	2.50
		17	15	21.24	2.28	20.51	2.35	19.86	2.42	19.50	2.46	19.21	2.49	18.47	2.57
		20	19	23.01	2.31	22.28	2.38	21.54	2.46	21.14	2.50	20.82	2.54	20.03	2.61
		25	23	25.97	2.36	25.20	2.43	24.32	2.52	23.86	2.58	23.49	2.62	22.61	2.69
		30	28	28.95	2.43	28.05	2.51	27.09	2.59	26.59	2.65	26.19	2.69	25.23	2.76
		35	32	31.92	2.50	30.90	2.59	29.85	2.66	29.32	2.72	28.89	2.77	27.84	2.84
		40	36	33.55	2.57	32.61	2.66	31.57	2.74	31.02	2.80	30.58	2.84	29.47	2.92
		45	41	35.58	2.67	34.73	2.75	33.71	2.84	33.15	2.89	32.70	2.93	31.51	3.02
		47	43	36.39	2.70	35.58	2.79	34.56	2.88	34.00	2.93	33.55	2.97	32.33	3.06
		50	46	36.50	2.68	35.77	2.77	34.88	2.85	34.37	2.89	33.97	2.92	32.82	3.00
		55	51	36.68	2.66	36.07	2.72	35.41	2.79	35.00	2.82	34.67	2.84	33.65	2.90
		60	56	36.86	2.63	36.38	2.68	35.93	2.73	35.62	2.75	35.38	2.76	34.47	2.81
		63	59	36.96	2.61	36.56	2.65	36.25	2.69	36.00	2.71	35.80	2.72	34.97	2.75
		68	64	37.07	2.59	36.75	2.63	36.56	2.66	36.38	2.67	36.23	2.67	35.47	2.69
Four (4) Ducted Indoor Units	9 + 9 + 9 + 9	-4	-4.4	8.38	2.05	8.02	2.14	7.66	2.16	7.60	2.18	7.55	2.19	7.19	2.27
		0	-0.4	11.72	2.08	10.95	2.16	10.82	2.20	10.68	2.22	10.57	2.23	10.11	2.31
		5	4.5	15.68	2.12	14.92	2.20	14.58	2.24	14.35	2.27	14.16	2.29	13.59	2.37
		10	9	18.33	2.15	17.58	2.23	17.09	2.28	16.80	2.32	16.57	2.34	15.91	2.41
		17	15	21.24	2.20	20.51	2.27	19.86	2.34	19.50	2.38	19.21	2.41	18.47	2.48
		20	19	23.01	2.23	22.28	2.30	21.54	2.37	21.14	2.42	20.82	2.45	20.03	2.52
		25	23	25.97	2.28	25.20	2.35	24.32	2.44	23.86	2.49	23.49	2.53	22.61	2.59
		30	28	28.95	2.35	28.05	2.43	27.09	2.50	26.59	2.56	26.19	2.60	25.23	2.67
		35	32	31.92	2.42	30.90	2.50	29.85	2.57	29.32	2.63	28.89	2.67	27.84	2.74
		40	36	33.55	2.49	32.61	2.57	31.57	2.64	31.02	2.70	30.58	2.74	29.47	2.82
		45	41	35.58	2.57	34.73	2.66	33.71	2.74	33.15	2.79	32.70	2.83	31.51	2.92
		47	43	36.39	2.61	35.58	2.70	34.56	2.78	34.00	2.83	33.55	2.87	32.33	2.95
		50	46	36.50	2.59	35.77	2.67	34.88	2.75	34.37	2.79	33.97	2.82	32.82	2.90
		55	51	36.68	2.57	36.07	2.63	35.41	2.69	35.00	2.72	34.67	2.75	33.65	2.81
		60	56	36.86	2.54	36.38	2.59	35.93	2.63	35.62	2.65	35.38	2.67	34.47	2.71
		63	59	36.96	2.52	36.56	2.56	36.25	2.60	36.00	2.61	35.80	2.62	34.97	2.66
		68	64	37.07	2.51	36.75	2.54	36.56	2.57	36.38	2.57	36.23	2.58	35.47	2.60
	9 + 9 + 9 + 12	-4	-4.4	8.38	2.05	8.02	2.14	7.66	2.16	7.60	2.18	7.55	2.19	7.19	2.27
		0	-0.4	11.72	2.08	10.95	2.16	10.82	2.20	10.68	2.22	10.57	2.23	10.11	2.31
		5	4.5	15.68	2.12	14.92	2.20	14.58	2.24	14.35	2.27	14.16	2.29	13.59	2.37
		10	9	18.33	2.15	17.58	2.23	17.09	2.28	16.80	2.32	16.57	2.34	15.91	2.41
		17	15	21.24	2.20	20.51	2.27	19.86	2.34	19.50	2.38	19.21	2.41	18.47	2.48
		20	19	23.01	2.23	22.28	2.30	21.54	2.37	21.14	2.42	20.82	2.45	20.03	2.52
		25	23	25.97	2.28	25.20	2.35	24.32	2.44	23.86	2.49	23.49	2.53	22.61	2.59
		30	28	28.95	2.35	28.05	2.43	27.09	2.50	26.59	2.56	26.19	2.60	25.23	2.67
		35	32	31.92	2.42	30.90	2.50	29.85	2.57	29.32	2.63	28.89	2.67	27.84	2.74
		40	36	33.55	2.49	32.61	2.57	31.57	2.64	31.02	2.70	30.58	2.74	29.47	2.82
		45	41	35.58	2.57	34.73	2.66	33.71	2.74	33.15	2.79	32.70	2.83	31.51	2.92
		47	43	36.39	2.61	35.58	2.70	34.56	2.78	34.00	2.83	33.55	2.87	32.33	2.95
		50	46	36.50	2.59	35.77	2.67	34.88	2.75	34.37	2.79	33.97	2.82	32.82	2.90
		55	51	36.68	2.57	36.07	2.63	35.41	2.69	35.00	2.72	34.67	2.75	33.65	2.81
		60	56	36.86	2.54	36.38	2.59	35.93	2.63	35.62	2.65	35.38	2.67	34.47	2.71
		63	59	36.96	2.52	36.56	2.56	36.25	2.60	36.00	2.61	35.80	2.62	34.97	2.66
		68	64	37.07	2.51	36.75	2.54	36.56	2.57	36.38	2.57	36.23	2.58	35.47	2.60

TC = Total Capacity (kBtu/h).

PI = Power Input (kW).

Nominal capacity as rated: 0 ft. above sea level with 25 ft. of refrigerant piping.
0 ft. level difference between outdoor and indoor units.

Nominal heating capacity rating obtained with air entering the indoor unit at 70°F dry bulb (DB) and 60°F wet bulb (WB), and outdoor ambient conditions of 47°F dry bulb (DB) and 43°F wet bulb (WB).

PERFORMANCE DATA

Heating Capacity Tables

MULTI F
MULTI F MAX

Table 241: LMU36CHV Heating Capacity Table — Ducted Indoor Units (continued).

Connected Indoor Units	Combination Capacity Index	Outdoor Air Temp.		Indoor Air Temp. °F DB											
		°F DB	°F WB	61		64		68		70		72		75	
				TC	PI	TC	PI	TC	PI	TC	PI	TC	PI	TC	PI
Four (4) Ducted Indoor Units	9 + 9 + 12 + 12	-4	-4.4	8.38	2.05	8.02	2.14	7.66	2.16	7.60	2.18	7.55	2.19	7.19	2.27
		0	-0.4	11.72	2.08	10.95	2.16	10.82	2.20	10.68	2.22	10.57	2.23	10.11	2.31
		5	4.5	15.68	2.12	14.92	2.20	14.58	2.24	14.35	2.27	14.16	2.29	13.59	2.37
		10	9	18.33	2.15	17.58	2.23	17.09	2.28	16.80	2.32	16.57	2.34	15.91	2.41
		17	15	21.24	2.20	20.51	2.27	19.86	2.34	19.50	2.38	19.21	2.41	18.47	2.48
		20	19	23.01	2.23	22.28	2.30	21.54	2.37	21.14	2.42	20.82	2.45	20.03	2.52
		25	23	25.97	2.28	25.20	2.35	24.32	2.44	23.86	2.49	23.49	2.53	22.61	2.59
		30	28	28.95	2.35	28.05	2.43	27.09	2.50	26.59	2.56	26.19	2.60	25.23	2.67
		35	32	31.92	2.42	30.90	2.50	29.85	2.57	29.32	2.63	28.89	2.67	27.84	2.74
		40	36	33.55	2.49	32.61	2.57	31.57	2.64	31.02	2.70	30.58	2.74	29.47	2.82
		45	41	35.58	2.57	34.73	2.66	33.71	2.74	33.15	2.79	32.70	2.83	31.51	2.92
		47	43	36.39	2.61	35.58	2.70	34.56	2.78	34.00	2.83	33.55	2.87	32.33	2.95
		50	46	36.50	2.59	35.77	2.67	34.88	2.75	34.37	2.79	33.97	2.82	32.82	2.90
		55	51	36.68	2.57	36.07	2.63	35.41	2.69	35.00	2.72	34.67	2.75	33.65	2.81
		60	56	36.86	2.54	36.38	2.59	35.93	2.63	35.62	2.65	35.38	2.67	34.47	2.71
		63	59	36.96	2.52	36.56	2.56	36.25	2.60	36.00	2.61	35.80	2.62	34.97	2.66
		68	64	37.07	2.51	36.75	2.54	36.56	2.57	36.38	2.57	36.23	2.58	35.47	2.60
		9 + 9 + 9 + 18	-4	-4.4	8.38	2.05	8.02	2.14	7.66	2.16	7.60	2.18	7.55	2.19	7.19
	0		-0.4	11.72	2.08	10.95	2.16	10.82	2.20	10.68	2.22	10.57	2.23	10.11	2.31
	5		4.5	15.68	2.12	14.92	2.20	14.58	2.24	14.35	2.27	14.16	2.29	13.59	2.37
	10		9	18.33	2.15	17.58	2.23	17.09	2.28	16.80	2.32	16.57	2.34	15.91	2.41
	17		15	21.24	2.20	20.51	2.27	19.86	2.34	19.50	2.38	19.21	2.41	18.47	2.48
	20		19	23.01	2.23	22.28	2.30	21.54	2.37	21.14	2.42	20.82	2.45	20.03	2.52
	25		23	25.97	2.28	25.20	2.35	24.32	2.44	23.86	2.49	23.49	2.53	22.61	2.59
	30		28	28.95	2.35	28.05	2.43	27.09	2.50	26.59	2.56	26.19	2.60	25.23	2.67
	35		32	31.92	2.42	30.90	2.50	29.85	2.57	29.32	2.63	28.89	2.67	27.84	2.74
	40		36	33.55	2.49	32.61	2.57	31.57	2.64	31.02	2.70	30.58	2.74	29.47	2.82
	45		41	35.58	2.57	34.73	2.66	33.71	2.74	33.15	2.79	32.70	2.83	31.51	2.92
	47		43	36.39	2.61	35.58	2.70	34.56	2.78	34.00	2.83	33.55	2.87	32.33	2.95
	50		46	36.50	2.59	35.77	2.67	34.88	2.75	34.37	2.79	33.97	2.82	32.82	2.90
	55		51	36.68	2.57	36.07	2.63	35.41	2.69	35.00	2.72	34.67	2.75	33.65	2.81
	60		56	36.86	2.54	36.38	2.59	35.93	2.63	35.62	2.65	35.38	2.67	34.47	2.71
	63		59	36.96	2.52	36.56	2.56	36.25	2.60	36.00	2.61	35.80	2.62	34.97	2.66
	68		64	37.07	2.51	36.75	2.54	36.56	2.57	36.38	2.57	36.23	2.58	35.47	2.60
	9 + 12 + 12 + 12		-4	-4.4	8.38	2.05	8.02	2.14	7.66	2.16	7.60	2.18	7.55	2.19	7.19
		0	-0.4	11.72	2.08	10.95	2.16	10.82	2.20	10.68	2.22	10.57	2.23	10.11	2.31
		5	4.5	15.68	2.12	14.92	2.20	14.58	2.24	14.35	2.27	14.16	2.29	13.59	2.37
		10	9	18.33	2.15	17.58	2.23	17.09	2.28	16.80	2.32	16.57	2.34	15.91	2.41
		17	15	21.24	2.20	20.51	2.27	19.86	2.34	19.50	2.38	19.21	2.41	18.47	2.48
		20	19	23.01	2.23	22.28	2.30	21.54	2.37	21.14	2.42	20.82	2.45	20.03	2.52
		25	23	25.97	2.28	25.20	2.35	24.32	2.44	23.86	2.49	23.49	2.53	22.61	2.59
		30	28	28.95	2.35	28.05	2.43	27.09	2.50	26.59	2.56	26.19	2.60	25.23	2.67
		35	32	31.92	2.42	30.90	2.50	29.85	2.57	29.32	2.63	28.89	2.67	27.84	2.74
		40	36	33.55	2.49	32.61	2.57	31.57	2.64	31.02	2.70	30.58	2.74	29.47	2.82
		45	41	35.58	2.57	34.73	2.66	33.71	2.74	33.15	2.79	32.70	2.83	31.51	2.92
		47	43	36.39	2.61	35.58	2.70	34.56	2.78	34.00	2.83	33.55	2.87	32.33	2.95
		50	46	36.50	2.59	35.77	2.67	34.88	2.75	34.37	2.79	33.97	2.82	32.82	2.90
		55	51	36.68	2.57	36.07	2.63	35.41	2.69	35.00	2.72	34.67	2.75	33.65	2.81
60		56	36.86	2.54	36.38	2.59	35.93	2.63	35.62	2.65	35.38	2.67	34.47	2.71	
63		59	36.96	2.52	36.56	2.56	36.25	2.60	36.00	2.61	35.80	2.62	34.97	2.66	
68		64	37.07	2.51	36.75	2.54	36.56	2.57	36.38	2.57	36.23	2.58	35.47	2.60	

TC = Total Capacity (kBtu/h).

PI = Power Input (kW).

Nominal capacity as rated: 0 ft. above sea level with 25 ft. of refrigerant piping.
0 ft. level difference between outdoor and indoor units.

Nominal heating capacity rating obtained with air entering the indoor unit at 70°F dry bulb (DB) and 60°F wet bulb (WB), and outdoor ambient conditions of 47°F dry bulb (DB) and 43°F wet bulb (WB).



Table 242: LMU36CHV Heating Capacity Table — Ducted (continued) and Mixed Indoor Units.

Connected Indoor Units	Combination Capacity Index	Outdoor Air Temp.		Indoor Air Temp. °F DB											
		°F DB	°F WB	61		64		68		70		72		75	
				TC	PI	TC	PI	TC	PI	TC	PI	TC	PI	TC	PI
Four (4) Ducted Indoor Units	9 + 9 + 12 + 18	-4	-4.4	8.38	2.05	8.02	2.14	7.66	2.16	7.60	2.18	7.55	2.19	7.19	2.27
		0	-0.4	11.72	2.08	10.95	2.16	10.82	2.20	10.68	2.22	10.57	2.23	10.11	2.31
		5	4.5	15.68	2.12	14.92	2.20	14.58	2.24	14.35	2.27	14.16	2.29	13.59	2.37
		10	9	18.33	2.15	17.58	2.23	17.09	2.28	16.80	2.32	16.57	2.34	15.91	2.41
		17	15	21.24	2.20	20.51	2.27	19.86	2.34	19.50	2.38	19.21	2.41	18.47	2.48
		20	19	23.01	2.23	22.28	2.30	21.54	2.37	21.14	2.42	20.82	2.45	20.03	2.52
		25	23	25.97	2.28	25.20	2.35	24.32	2.44	23.86	2.49	23.49	2.53	22.61	2.59
		30	28	28.95	2.35	28.05	2.43	27.09	2.50	26.59	2.56	26.19	2.60	25.23	2.67
		35	32	31.92	2.42	30.90	2.50	29.85	2.57	29.32	2.63	28.89	2.67	27.84	2.74
		40	36	33.55	2.49	32.61	2.57	31.57	2.64	31.02	2.70	30.58	2.74	29.47	2.82
		45	41	35.58	2.57	34.73	2.66	33.71	2.74	33.15	2.79	32.70	2.83	31.51	2.92
		47	43	36.39	2.61	35.58	2.70	34.56	2.78	34.00	2.83	33.55	2.87	32.33	2.95
		50	46	36.50	2.59	35.77	2.67	34.88	2.75	34.37	2.79	33.97	2.82	32.82	2.90
		55	51	36.68	2.57	36.07	2.63	35.41	2.69	35.00	2.72	34.67	2.75	33.65	2.81
		60	56	36.86	2.54	36.38	2.59	35.93	2.63	35.62	2.65	35.38	2.67	34.47	2.71
		63	59	36.96	2.52	36.56	2.56	36.25	2.60	36.00	2.61	35.80	2.62	34.97	2.66
		68	64	37.07	2.51	36.75	2.54	36.56	2.57	36.38	2.57	36.23	2.58	35.47	2.60
		12 + 12 + 12 + 12	-4	-4.4	8.38	2.05	8.02	2.14	7.66	2.16	7.60	2.18	7.55	2.19	7.19
	0		-0.4	11.72	2.08	10.95	2.16	10.82	2.20	10.68	2.22	10.57	2.23	10.11	2.31
	5		4.5	15.68	2.12	14.92	2.20	14.58	2.24	14.35	2.27	14.16	2.29	13.59	2.37
	10		9	18.33	2.15	17.58	2.23	17.09	2.28	16.80	2.32	16.57	2.34	15.91	2.41
	17		15	21.24	2.20	20.51	2.27	19.86	2.34	19.50	2.38	19.21	2.41	18.47	2.48
	20		19	23.01	2.23	22.28	2.30	21.54	2.37	21.14	2.42	20.82	2.45	20.03	2.52
	25		23	25.97	2.28	25.20	2.35	24.32	2.44	23.86	2.49	23.49	2.53	22.61	2.59
	30		28	28.95	2.35	28.05	2.43	27.09	2.50	26.59	2.56	26.19	2.60	25.23	2.67
	35		32	31.92	2.42	30.90	2.50	29.85	2.57	29.32	2.63	28.89	2.67	27.84	2.74
	40		36	33.55	2.49	32.61	2.57	31.57	2.64	31.02	2.70	30.58	2.74	29.47	2.82
	45		41	35.58	2.57	34.73	2.66	33.71	2.74	33.15	2.79	32.70	2.83	31.51	2.92
47	43		36.39	2.61	35.58	2.70	34.56	2.78	34.00	2.83	33.55	2.87	32.33	2.95	
50	46		36.50	2.59	35.77	2.67	34.88	2.75	34.37	2.79	33.97	2.82	32.82	2.90	
55	51		36.68	2.57	36.07	2.63	35.41	2.69	35.00	2.72	34.67	2.75	33.65	2.81	
60	56		36.86	2.54	36.38	2.59	35.93	2.63	35.62	2.65	35.38	2.67	34.47	2.71	
63	59		36.96	2.52	36.56	2.56	36.25	2.60	36.00	2.61	35.80	2.62	34.97	2.66	
68	64		37.07	2.51	36.75	2.54	36.56	2.57	36.38	2.57	36.23	2.58	35.47	2.60	
Two (2) Mixed Indoor Units	7 + 9		-4	-4.4	3.84	1.28	3.67	1.33	3.50	1.35	3.47	1.36	3.45	1.36	3.28
		0	-0.4	5.57	1.30	5.19	1.35	5.14	1.37	5.08	1.39	5.02	1.40	4.80	1.44
		5	4.5	7.63	1.33	7.26	1.38	7.09	1.41	6.98	1.42	6.89	1.43	6.61	1.48
		10	9	9.00	1.35	8.64	1.40	8.40	1.44	8.25	1.46	8.14	1.47	7.82	1.52
		17	15	10.52	1.39	10.15	1.43	9.83	1.48	9.65	1.50	9.51	1.52	9.15	1.56
		20	19	11.44	1.41	11.07	1.45	10.70	1.50	10.50	1.53	10.35	1.55	9.95	1.60
		25	23	12.97	1.45	12.59	1.49	12.15	1.55	11.92	1.58	11.74	1.61	11.30	1.65
		30	28	14.52	1.50	14.07	1.55	13.59	1.59	13.34	1.63	13.14	1.66	12.65	1.70
		35	32	16.06	1.54	15.55	1.60	15.02	1.64	14.75	1.68	14.54	1.71	14.01	1.75
		40	36	16.88	1.59	16.41	1.65	15.89	1.69	15.61	1.73	15.39	1.76	14.83	1.80
		45	41	17.91	1.65	17.48	1.70	16.96	1.75	16.68	1.79	16.46	1.81	15.86	1.86
		47	43	18.32	1.67	17.91	1.72	17.39	1.78	17.11	1.81	16.88	1.83	16.27	1.89
		50	46	18.37	1.66	18.00	1.71	17.55	1.76	17.30	1.78	17.10	1.81	16.52	1.85
		55	51	18.46	1.64	18.15	1.68	17.82	1.72	17.61	1.74	17.45	1.76	16.93	1.79
		60	56	18.55	1.62	18.31	1.65	18.08	1.69	17.93	1.70	17.80	1.71	17.35	1.73
		63	59	18.60	1.61	18.40	1.64	18.24	1.66	18.12	1.67	18.02	1.68	17.60	1.70
		68	64	18.66	1.60	18.49	1.62	18.40	1.64	18.31	1.65	18.23	1.65	17.85	1.66

TC = Total Capacity (kBtu/h).

PI = Power Input (kW).

Nominal capacity as rated: 0 ft. above sea level with 25 ft. of refrigerant piping.
0 ft. level difference between outdoor and indoor units.

Nominal heating capacity rating obtained with air entering the indoor unit at 70°F dry bulb (DB) and 60°F wet bulb (WB), and outdoor ambient conditions of 47°F dry bulb (DB) and 43°F wet bulb (WB).

PERFORMANCE DATA

Heating Capacity Tables

MULTI F
MULTI F MAX

Table 243: LMU36CHV Heating Capacity Table — Mixed Indoor Units (continued).

Connected Indoor Units	Combination Capacity Index	Outdoor Air Temp.		Indoor Air Temp. °F DB											
		°F DB	°F WB	61		64		68		70		72		75	
				TC	PI	TC	PI	TC	PI	TC	PI	TC	PI	TC	PI
Two (2) Mixed Indoor Units	9 + 9	-4	-4.4	4.32	1.41	4.13	1.47	3.94	1.49	3.91	1.50	3.88	1.51	3.70	1.56
		0	-0.4	6.26	1.44	5.84	1.49	5.78	1.52	5.71	1.53	5.65	1.54	5.40	1.60
		5	4.5	8.58	1.47	8.16	1.52	7.98	1.55	7.85	1.57	7.75	1.59	7.43	1.64
		10	9	10.13	1.50	9.72	1.55	9.45	1.59	9.29	1.61	9.16	1.63	8.79	1.68
		17	15	11.83	1.53	11.42	1.58	11.06	1.63	10.86	1.66	10.70	1.68	10.29	1.73
		20	19	12.87	1.56	12.46	1.60	12.04	1.66	11.82	1.69	11.64	1.72	11.20	1.76
		25	23	14.60	1.60	14.16	1.65	13.67	1.71	13.41	1.75	13.20	1.77	12.71	1.82
		30	28	16.33	1.66	15.83	1.71	15.29	1.76	15.00	1.80	14.78	1.83	14.24	1.88
		35	32	18.07	1.71	17.50	1.77	16.90	1.81	16.60	1.86	16.36	1.89	15.76	1.94
		40	36	18.99	1.76	18.46	1.82	17.87	1.87	17.56	1.91	17.31	1.94	16.69	1.99
		45	41	20.15	1.82	19.66	1.88	19.08	1.94	18.77	1.97	18.51	2.00	17.84	2.06
		47	43	20.61	1.84	20.15	1.91	19.57	1.97	19.25	2.00	18.99	2.03	18.30	2.09
		50	46	20.67	1.83	20.25	1.89	19.75	1.94	19.46	1.97	19.23	1.99	18.58	2.05
		55	51	20.77	1.81	20.42	1.86	20.05	1.90	19.82	1.92	19.63	1.94	19.05	1.98
		60	56	20.87	1.79	20.60	1.83	20.34	1.86	20.17	1.88	20.03	1.89	19.52	1.92
		63	59	20.93	1.78	20.70	1.81	20.52	1.84	20.38	1.85	20.27	1.85	19.80	1.88
		68	64	20.99	1.77	20.81	1.79	20.70	1.81	20.60	1.82	20.51	1.82	20.08	1.84
		7 + 12	-4	-4.4	4.56	1.48	4.36	1.54	4.16	1.56	4.13	1.57	4.10	1.57	3.90
	0		-0.4	6.61	1.50	6.17	1.56	6.11	1.59	6.03	1.60	5.96	1.61	5.70	1.67
	5		4.5	9.06	1.53	8.62	1.59	8.42	1.62	8.29	1.64	8.18	1.66	7.85	1.71
	10		9	10.69	1.56	10.26	1.62	9.97	1.66	9.80	1.68	9.66	1.70	9.28	1.75
	17		15	12.49	1.60	12.06	1.65	11.68	1.70	11.47	1.73	11.30	1.76	10.86	1.81
	20		19	13.58	1.63	13.15	1.68	12.71	1.73	12.48	1.77	12.29	1.79	11.82	1.84
	25		23	15.41	1.67	14.95	1.72	14.43	1.79	14.16	1.82	13.94	1.85	13.41	1.90
	30		28	17.24	1.73	16.71	1.79	16.14	1.84	15.84	1.88	15.60	1.91	15.03	1.96
	35		32	19.08	1.78	18.47	1.85	17.84	1.90	17.52	1.94	17.26	1.97	16.64	2.02
	40		36	20.05	1.84	19.49	1.90	18.87	1.95	18.54	1.99	18.28	2.03	17.61	2.08
	45		41	21.27	1.90	20.76	1.96	20.15	2.03	19.81	2.06	19.54	2.09	18.83	2.15
	47		43	21.75	1.93	21.27	1.99	20.66	2.05	20.32	2.09	20.05	2.12	19.32	2.18
	50		46	21.82	1.92	21.37	1.97	20.85	2.03	20.54	2.06	20.30	2.08	19.62	2.14
	55		51	21.92	1.89	21.56	1.94	21.16	1.99	20.92	2.01	20.72	2.03	20.11	2.07
	60		56	22.03	1.87	21.74	1.91	21.47	1.95	21.29	1.96	21.14	1.97	20.60	2.00
	63		59	22.09	1.86	21.85	1.89	21.66	1.92	21.51	1.93	21.40	1.94	20.90	1.96
	68		64	22.16	1.85	21.96	1.87	21.85	1.90	21.74	1.90	21.65	1.91	21.20	1.92
	9 + 12		-4	-4.4	5.04	1.60	4.82	1.66	4.59	1.68	4.56	1.69	4.53	1.70	4.31
		0	-0.4	7.31	1.63	6.82	1.69	6.75	1.71	6.66	1.73	6.59	1.74	6.31	1.80
		5	4.5	10.01	1.66	9.52	1.72	9.31	1.76	9.16	1.78	9.04	1.79	8.67	1.85
		10	9	11.82	1.69	11.34	1.75	11.02	1.79	10.83	1.82	10.68	1.84	10.26	1.90
		17	15	13.81	1.73	13.33	1.79	12.91	1.84	12.67	1.87	12.49	1.90	12.01	1.95
		20	19	15.01	1.76	14.54	1.81	14.05	1.88	13.79	1.91	13.58	1.94	13.06	1.99
		25	23	17.03	1.81	16.52	1.86	15.95	1.93	15.65	1.97	15.41	2.00	14.83	2.06
		30	28	19.06	1.87	18.47	1.93	17.83	1.99	17.51	2.04	17.25	2.07	16.61	2.12
		35	32	21.09	1.93	20.42	2.00	19.72	2.05	19.37	2.10	19.08	2.14	18.39	2.19
		40	36	22.16	1.99	21.54	2.05	20.85	2.11	20.49	2.16	20.20	2.19	19.47	2.25
		45	41	23.50	2.06	22.94	2.12	22.27	2.19	21.90	2.23	21.60	2.26	20.82	2.33
		47	43	24.04	2.08	23.50	2.15	22.83	2.22	22.46	2.26	22.16	2.29	21.36	2.36
		50	46	24.11	2.07	23.63	2.13	23.04	2.19	22.71	2.23	22.44	2.25	21.68	2.31
		55	51	24.23	2.05	23.83	2.10	23.39	2.15	23.12	2.17	22.91	2.19	22.23	2.24
60		56	24.35	2.03	24.03	2.07	23.74	2.10	23.53	2.12	23.37	2.13	22.77	2.17	
63		59	24.42	2.01	24.15	2.05	23.94	2.08	23.78	2.09	23.65	2.10	23.10	2.12	
68		64	24.49	2.00	24.27	2.03	24.15	2.05	24.03	2.06	23.93	2.06	23.43	2.08	

TC = Total Capacity (kBtu/h).

PI = Power Input (kW).

Nominal capacity as rated: 0 ft. above sea level with 25 ft. of refrigerant piping.
0 ft. level difference between outdoor and indoor units.

Nominal heating capacity rating obtained with air entering the indoor unit at 70°F dry bulb (DB) and 60°F wet bulb (WB), and outdoor ambient conditions of 47°F dry bulb (DB) and 43°F wet bulb (WB).



Table 244: LMU36CHV Heating Capacity Table — Mixed Indoor Units (continued).

Connected Indoor Units	Combination Capacity Index	Outdoor Air Temp.		Indoor Air Temp. °F DB												
		°F DB	°F WB	61		64		68		70		72		75		
				TC	PI	TC	PI	TC	PI	TC	PI	TC	PI	TC	PI	
Two (2) Mixed Indoor Units	9 + 15	-4	-4.4	5.76	1.75	5.50	1.82	5.25	1.84	5.21	1.85	5.18	1.86	4.93	1.93	
		0	-0.4	8.35	1.78	7.79	1.84	7.71	1.87	7.61	1.89	7.54	1.90	7.21	1.97	
		5	4.5	11.44	1.81	10.88	1.88	10.64	1.92	10.47	1.94	10.33	1.96	9.91	2.02	
		10	9	13.51	1.85	12.96	1.91	12.60	1.96	12.38	1.99	12.21	2.01	11.73	2.07	
		17	15	15.78	1.89	15.23	1.95	14.75	2.01	14.49	2.05	14.27	2.07	13.72	2.13	
		20	19	17.16	1.92	16.61	1.98	16.06	2.05	15.76	2.09	15.52	2.12	14.93	2.18	
		25	23	19.46	1.98	18.89	2.04	18.23	2.11	17.88	2.16	17.61	2.19	16.95	2.25	
		30	28	21.78	2.04	21.11	2.11	20.38	2.18	20.01	2.22	19.71	2.26	18.99	2.32	
		35	32	24.10	2.11	23.33	2.18	22.54	2.24	22.13	2.29	21.81	2.33	21.02	2.39	
		40	36	25.33	2.17	24.62	2.25	23.83	2.31	23.42	2.36	23.09	2.40	22.25	2.46	
		45	41	26.86	2.25	26.22	2.32	25.45	2.39	25.03	2.44	24.69	2.47	23.79	2.54	
		47	43	27.48	2.28	26.86	2.35	26.10	2.43	25.67	2.47	25.33	2.50	24.41	2.58	
		50	46	27.56	2.26	27.00	2.33	26.33	2.40	25.95	2.43	25.65	2.46	24.78	2.53	
		55	51	27.69	2.24	27.23	2.29	26.73	2.35	26.42	2.38	26.18	2.40	25.40	2.45	
		60	56	27.83	2.22	27.47	2.26	27.13	2.30	26.90	2.32	26.71	2.33	26.03	2.37	
		63	59	27.91	2.20	27.60	2.24	27.37	2.27	27.18	2.28	27.03	2.29	26.40	2.32	
		68	64	27.99	2.19	27.74	2.21	27.61	2.24	27.46	2.25	27.35	2.25	26.78	2.27	
		9	12 + 12	-4	-4.4	5.76	1.75	5.50	1.82	5.25	1.84	5.21	1.85	5.18	1.86	4.93
	0	-0.4		8.35	1.78	7.79	1.84	7.71	1.87	7.61	1.89	7.54	1.90	7.21	1.97	
	5	4.5		11.44	1.81	10.88	1.88	10.64	1.92	10.47	1.94	10.33	1.96	9.91	2.02	
	10	9		13.51	1.85	12.96	1.91	12.60	1.96	12.38	1.99	12.21	2.01	11.73	2.07	
	17	15		15.78	1.89	15.23	1.95	14.75	2.01	14.49	2.05	14.27	2.07	13.72	2.13	
	20	19		17.16	1.92	16.61	1.98	16.06	2.05	15.76	2.09	15.52	2.12	14.93	2.18	
	25	23		19.46	1.98	18.89	2.04	18.23	2.11	17.88	2.16	17.61	2.19	16.95	2.25	
	30	28		21.78	2.04	21.11	2.11	20.38	2.18	20.01	2.22	19.71	2.26	18.99	2.32	
	35	32		24.10	2.11	23.33	2.18	22.54	2.24	22.13	2.29	21.81	2.33	21.02	2.39	
	40	36		25.33	2.17	24.62	2.25	23.83	2.31	23.42	2.36	23.09	2.40	22.25	2.46	
	45	41		26.86	2.25	26.22	2.32	25.45	2.39	25.03	2.44	24.69	2.47	23.79	2.54	
	47	43		27.48	2.28	26.86	2.35	26.10	2.43	25.67	2.47	25.33	2.50	24.41	2.58	
	50	46		27.56	2.26	27.00	2.33	26.33	2.40	25.95	2.43	25.65	2.46	24.78	2.53	
	55	51		27.69	2.24	27.23	2.29	26.73	2.35	26.42	2.38	26.18	2.40	25.40	2.45	
	60	56		27.83	2.22	27.47	2.26	27.13	2.30	26.90	2.32	26.71	2.33	26.03	2.37	
	63	59		27.91	2.20	27.60	2.24	27.37	2.27	27.18	2.28	27.03	2.29	26.40	2.32	
	68	64		27.99	2.19	27.74	2.21	27.61	2.24	27.46	2.25	27.35	2.25	26.78	2.27	
	10	7 + 18		-4	-4.4	6.00	1.80	5.73	1.88	5.47	1.90	5.43	1.91	5.40	1.92	5.13
	0		-0.4	8.70	1.83	8.12	1.90	8.03	1.93	7.93	1.95	7.85	1.97	7.51	2.04	
	5		4.5	11.92	1.87	11.34	1.94	11.08	1.98	10.91	2.00	10.77	2.02	10.33	2.09	
	10		9	14.07	1.91	13.50	1.97	13.12	2.02	12.90	2.05	12.72	2.07	12.22	2.14	
	17		15	16.44	1.95	15.87	2.02	15.37	2.08	15.09	2.11	14.87	2.14	14.29	2.20	
	20		19	17.87	1.99	17.30	2.05	16.73	2.12	16.42	2.16	16.17	2.19	15.55	2.25	
	25		23	20.27	2.04	19.67	2.10	18.99	2.18	18.63	2.23	18.34	2.26	17.65	2.32	
	30		28	22.69	2.11	21.99	2.18	21.23	2.25	20.84	2.30	20.53	2.34	19.78	2.39	
	35		32	25.11	2.18	24.31	2.25	23.48	2.31	23.06	2.37	22.72	2.41	21.90	2.47	
	40		36	26.38	2.24	25.64	2.32	24.83	2.38	24.40	2.43	24.05	2.47	23.18	2.54	
	45		41	27.98	2.32	27.32	2.40	26.51	2.47	26.07	2.52	25.72	2.55	24.78	2.63	
	47		43	28.62	2.35	27.98	2.43	27.18	2.51	26.74	2.55	26.38	2.58	25.43	2.66	
	50		46	28.71	2.34	28.13	2.41	27.43	2.48	27.03	2.51	26.72	2.54	25.81	2.61	
	55		51	28.85	2.31	28.37	2.37	27.85	2.43	27.53	2.45	27.27	2.47	26.46	2.53	
60	56		28.99	2.29	28.61	2.33	28.26	2.37	28.02	2.39	27.82	2.41	27.11	2.44		
63	59		29.07	2.27	28.75	2.31	28.51	2.34	28.31	2.36	28.16	2.36	27.50	2.39		
68	64		29.16	2.26	28.90	2.29	28.76	2.31	28.61	2.32	28.49	2.32	27.90	2.34		

TC = Total Capacity (kBtu/h).

PI = Power Input (kW).

Nominal capacity as rated: 0 ft. above sea level with 25 ft. of refrigerant piping.
0 ft. level difference between outdoor and indoor units.

Nominal heating capacity rating obtained with air entering the indoor unit at 70°F dry bulb (DB) and 60°F wet bulb (WB), and outdoor ambient conditions of 47°F dry bulb (DB) and 43°F wet bulb (WB).

PERFORMANCE DATA

Heating Capacity Tables

MULTI F
MULTI F MAX

Table 245: LMU36CHV Heating Capacity Table — Mixed Indoor Units (continued).

Connected Indoor Units	Combination Capacity Index	Outdoor Air Temp.		Indoor Air Temp. °F DB											
		°F DB	°F WB	61		64		68		70		72		75	
				TC	PI	TC	PI	TC	PI	TC	PI	TC	PI	TC	PI
Two (2) Mixed Indoor Units	9 + 18	-4	-4.4	6.48	1.92	6.19	2.00	5.91	2.02	5.86	2.04	5.83	2.05	5.54	2.12
		0	-0.4	9.40	1.96	8.77	2.03	8.68	2.06	8.57	2.08	8.48	2.10	8.11	2.17
		5	4.5	12.87	2.00	12.25	2.07	11.97	2.11	11.78	2.14	11.63	2.16	11.15	2.23
		10	9	15.20	2.04	14.58	2.10	14.17	2.16	13.93	2.19	13.74	2.21	13.19	2.28
		17	15	17.75	2.08	17.14	2.15	16.60	2.22	16.30	2.25	16.06	2.28	15.44	2.35
		20	19	19.30	2.12	18.69	2.18	18.07	2.26	17.73	2.30	17.46	2.33	16.80	2.40
		25	23	21.90	2.18	21.25	2.24	20.51	2.33	20.12	2.37	19.81	2.41	19.06	2.48
		30	28	24.51	2.25	23.75	2.32	22.93	2.40	22.51	2.45	22.17	2.49	21.36	2.55
		35	32	27.11	2.32	26.25	2.40	25.36	2.47	24.90	2.52	24.54	2.57	23.65	2.63
		40	36	28.50	2.39	27.70	2.47	26.81	2.54	26.35	2.60	25.98	2.64	25.04	2.71
		45	41	30.22	2.47	29.50	2.56	28.63	2.64	28.16	2.68	27.78	2.72	26.77	2.80
		47	43	30.91	2.51	30.22	2.59	29.36	2.67	28.88	2.72	28.50	2.76	27.46	2.84
		50	46	31.00	2.49	30.38	2.57	29.63	2.64	29.20	2.68	28.85	2.71	27.88	2.79
		55	51	31.16	2.47	30.64	2.53	30.07	2.59	29.73	2.62	29.45	2.64	28.58	2.70
		60	56	31.31	2.44	30.90	2.49	30.52	2.53	30.26	2.55	30.05	2.57	29.28	2.61
		63	59	31.40	2.42	31.06	2.46	30.79	2.50	30.58	2.51	30.41	2.52	29.70	2.55
		68	64	31.49	2.41	31.21	2.44	31.06	2.47	30.90	2.47	30.77	2.48	30.13	2.50
		0	-0.4	9.40	1.96	8.77	2.03	8.68	2.06	8.57	2.08	8.48	2.10	8.11	2.17
	5	4.5	12.87	2.00	12.25	2.07	11.97	2.11	11.78	2.14	11.63	2.16	11.15	2.23	
	10	9	15.20	2.04	14.58	2.10	14.17	2.16	13.93	2.19	13.74	2.21	13.19	2.28	
	17	15	17.75	2.08	17.14	2.15	16.60	2.22	16.30	2.25	16.06	2.28	15.44	2.35	
	20	19	19.30	2.12	18.69	2.18	18.07	2.26	17.73	2.30	17.46	2.33	16.80	2.40	
	25	23	21.90	2.18	21.25	2.24	20.51	2.33	20.12	2.37	19.81	2.41	19.06	2.48	
	30	28	24.51	2.25	23.75	2.32	22.93	2.40	22.51	2.45	22.17	2.49	21.36	2.55	
	35	32	27.11	2.32	26.25	2.40	25.36	2.47	24.90	2.52	24.54	2.57	23.65	2.63	
	40	36	28.50	2.39	27.70	2.47	26.81	2.54	26.35	2.60	25.98	2.64	25.04	2.71	
	45	41	30.22	2.47	29.50	2.56	28.63	2.64	28.16	2.68	27.78	2.72	26.77	2.80	
	47	43	30.91	2.51	30.22	2.59	29.36	2.67	28.88	2.72	28.50	2.76	27.46	2.84	
	50	46	31.00	2.49	30.38	2.57	29.63	2.64	29.20	2.68	28.85	2.71	27.88	2.79	
	55	51	31.16	2.47	30.64	2.53	30.07	2.59	29.73	2.62	29.45	2.64	28.58	2.70	
	60	56	31.31	2.44	30.90	2.49	30.52	2.53	30.26	2.55	30.05	2.57	29.28	2.61	
	63	59	31.40	2.42	31.06	2.46	30.79	2.50	30.58	2.51	30.41	2.52	29.70	2.55	
	68	64	31.49	2.41	31.21	2.44	31.06	2.47	30.90	2.47	30.77	2.48	30.13	2.50	
	0	-0.4	10.44	2.11	9.74	2.19	9.64	2.22	9.52	2.24	9.42	2.26	9.01	2.34	
	5	4.5	14.30	2.15	13.60	2.23	13.29	2.28	13.08	2.30	12.92	2.32	12.39	2.40	
	10	9	16.88	2.19	16.19	2.27	15.74	2.32	15.47	2.36	15.26	2.38	14.66	2.46	
	17	15	19.72	2.25	19.04	2.32	18.44	2.39	18.10	2.43	17.84	2.46	17.15	2.53	
	20	19	21.44	2.28	20.76	2.35	20.07	2.43	19.70	2.48	19.40	2.51	18.66	2.58	
	25	23	24.32	2.35	23.60	2.42	22.78	2.51	22.35	2.56	22.01	2.60	21.18	2.67	
	30	28	27.22	2.42	26.38	2.50	25.47	2.58	25.01	2.64	24.63	2.68	23.73	2.75	
	35	32	30.12	2.50	29.16	2.59	28.17	2.66	27.66	2.72	27.26	2.77	26.27	2.84	
	40	36	31.65	2.57	30.76	2.66	29.78	2.74	29.27	2.80	28.85	2.84	27.81	2.92	
	45	41	33.57	2.67	32.77	2.75	31.80	2.84	31.28	2.89	30.85	2.93	29.73	3.02	
	47	43	34.34	2.70	33.57	2.79	32.61	2.88	32.08	2.93	31.65	2.97	30.50	3.06	
	50	46	34.44	2.68	33.75	2.77	32.91	2.85	32.43	2.89	32.05	2.92	30.97	3.00	
	55	51	34.61	2.66	34.03	2.72	33.41	2.79	33.02	2.82	32.72	2.84	31.75	2.90	
	60	56	34.78	2.63	34.32	2.68	33.90	2.73	33.61	2.75	33.38	2.76	32.53	2.81	
	63	59	34.88	2.61	34.50	2.65	34.20	2.69	33.97	2.71	33.78	2.72	32.99	2.75	
68	64	34.98	2.59	34.67	2.63	34.50	2.66	34.32	2.67	34.18	2.67	33.47	2.69		

TC = Total Capacity (kBtu/h).

PI = Power Input (kW).

Nominal capacity as rated: 0 ft. above sea level with 25 ft. of refrigerant piping.
0 ft. level difference between outdoor and indoor units.

Nominal heating capacity rating obtained with air entering the indoor unit at 70°F dry bulb (DB) and 60°F wet bulb (WB), and outdoor ambient conditions of 47°F dry bulb (DB) and 43°F wet bulb (WB).

Multi F and Multi F MAX Heat Pump System Engineering Manual

Table 246: LMU36CHV Heating Capacity Table — Mixed Indoor Units (continued).

Connected Indoor Units	Combination Capacity Index	Outdoor Air Temp.		Indoor Air Temp. °F DB											
		°F DB	°F WB	61		64		68		70		72		75	
				TC	PI	TC	PI	TC	PI	TC	PI	TC	PI	TC	PI
Two (2) Mixed Indoor Units	7 + 24	-4	-4.4	7.43	2.11	7.11	2.20	6.78	2.22	6.73	2.24	6.69	2.25	6.36	2.34
		0	-0.4	10.79	2.15	10.06	2.23	9.96	2.27	9.83	2.29	9.73	2.30	9.31	2.39
		5	4.5	14.77	2.20	14.06	2.28	13.74	2.32	13.52	2.35	13.35	2.37	12.80	2.45
		10	9	17.44	2.24	16.73	2.31	16.27	2.37	15.99	2.40	15.77	2.43	15.15	2.51
		17	15	20.38	2.29	19.67	2.36	19.05	2.44	18.71	2.48	18.43	2.51	17.72	2.58
		20	19	22.16	2.33	21.45	2.40	20.74	2.48	20.35	2.53	20.04	2.56	19.28	2.64
		25	23	25.13	2.40	24.39	2.47	23.54	2.56	23.10	2.61	22.74	2.65	21.88	2.72
		30	28	28.13	2.47	27.26	2.56	26.32	2.63	25.84	2.69	25.45	2.74	24.52	2.81
		35	32	31.12	2.55	30.13	2.64	29.11	2.71	28.58	2.77	28.16	2.83	27.15	2.89
		40	36	32.71	2.63	31.79	2.72	30.78	2.79	30.24	2.85	29.82	2.90	28.74	2.98
		45	41	34.69	2.72	33.86	2.81	32.87	2.90	32.32	2.95	31.88	2.99	30.72	3.08
		47	43	35.48	2.76	34.69	2.85	33.70	2.94	33.15	2.99	32.71	3.03	31.52	3.12
		50	46	35.59	2.74	34.87	2.82	34.01	2.90	33.52	2.95	33.12	2.98	32.00	3.06
		55	51	35.76	2.71	35.17	2.78	34.52	2.84	34.12	2.88	33.81	2.90	32.81	2.96
		60	56	35.94	2.68	35.47	2.73	35.03	2.78	34.73	2.80	34.49	2.82	33.61	2.87
		63	59	36.04	2.66	35.65	2.71	35.34	2.75	35.10	2.76	34.90	2.77	34.09	2.81
		68	64	36.15	2.65	35.83	2.68	35.65	2.71	35.47	2.72	35.32	2.73	34.58	2.75
		0	-4.4	7.85	2.16	7.50	2.25	7.16	2.28	7.11	2.29	7.06	2.30	6.72	2.39
	5	4.5	15.60	2.25	14.84	2.33	14.50	2.38	14.28	2.40	14.09	2.43	13.52	2.51	
	10	9	18.42	2.29	17.66	2.37	17.18	2.43	16.88	2.46	16.65	2.49	15.99	2.57	
	17	15	21.52	2.35	20.77	2.42	20.11	2.50	19.75	2.54	19.46	2.57	18.71	2.64	
	20	19	23.40	2.38	22.65	2.46	21.89	2.54	21.49	2.59	21.16	2.62	20.36	2.70	
	25	23	26.54	2.45	25.75	2.52	24.86	2.62	24.38	2.67	24.01	2.71	23.11	2.79	
	30	28	29.70	2.53	28.78	2.62	27.79	2.70	27.28	2.76	26.87	2.80	25.89	2.87	
	35	32	32.86	2.61	31.81	2.71	30.73	2.77	30.18	2.84	29.74	2.89	28.66	2.96	
	40	36	34.53	2.69	33.56	2.78	32.49	2.86	31.93	2.92	31.48	2.97	30.34	3.05	
	45	41	36.63	2.78	35.75	2.88	34.70	2.97	34.12	3.02	33.66	3.06	32.44	3.15	
	47	43	37.47	2.82	36.63	2.91	35.58	3.01	35.00	3.06	34.53	3.10	33.28	3.19	
	50	46	37.58	2.80	36.82	2.89	35.91	2.97	35.39	3.02	34.97	3.05	33.79	3.13	
	55	51	37.76	2.77	37.13	2.84	36.45	2.91	36.03	2.94	35.69	2.97	34.64	3.03	
	60	56	37.94	2.74	37.45	2.80	36.99	2.85	36.67	2.87	36.42	2.89	35.49	2.93	
	63	59	38.05	2.73	37.64	2.77	37.31	2.81	37.06	2.83	36.85	2.84	36.00	2.87	
	68	64	38.16	2.71	37.83	2.74	37.64	2.78	37.45	2.78	37.29	2.79	36.51	2.81	
	0	-4.4	7.85	2.16	7.50	2.25	7.16	2.28	7.11	2.29	7.06	2.30	6.72	2.39	
	5	4.5	15.60	2.25	14.84	2.33	14.50	2.38	14.28	2.40	14.09	2.43	13.52	2.51	
	10	9	18.42	2.29	17.66	2.37	17.18	2.43	16.88	2.46	16.65	2.49	15.99	2.57	
	17	15	21.52	2.35	20.77	2.42	20.11	2.50	19.75	2.54	19.46	2.57	18.71	2.64	
	20	19	23.40	2.38	22.65	2.46	21.89	2.54	21.49	2.59	21.16	2.62	20.36	2.70	
	25	23	26.54	2.45	25.75	2.52	24.86	2.62	24.38	2.67	24.01	2.71	23.11	2.79	
	30	28	29.70	2.53	28.78	2.62	27.79	2.70	27.28	2.76	26.87	2.80	25.89	2.87	
	35	32	32.86	2.61	31.81	2.71	30.73	2.77	30.18	2.84	29.74	2.89	28.66	2.96	
	40	36	34.53	2.69	33.56	2.78	32.49	2.86	31.93	2.92	31.48	2.97	30.34	3.05	
	45	41	36.63	2.78	35.75	2.88	34.70	2.97	34.12	3.02	33.66	3.06	32.44	3.15	
	47	43	37.47	2.82	36.63	2.91	35.58	3.01	35.00	3.06	34.53	3.10	33.28	3.19	
	50	46	37.58	2.80	36.82	2.89	35.91	2.97	35.39	3.02	34.97	3.05	33.79	3.13	
	55	51	37.76	2.77	37.13	2.84	36.45	2.91	36.03	2.94	35.69	2.97	34.64	3.03	
	60	56	37.94	2.74	37.45	2.80	36.99	2.85	36.67	2.87	36.42	2.89	35.49	2.93	
	63	59	38.05	2.73	37.64	2.77	37.31	2.81	37.06	2.83	36.85	2.84	36.00	2.87	
68	64	38.16	2.71	37.83	2.74	37.64	2.78	37.45	2.78	37.29	2.79	36.51	2.81		

TC = Total Capacity (kBtu/h).

PI = Power Input (kW).

Nominal capacity as rated: 0 ft. above sea level with 25 ft. of refrigerant piping.
0 ft. level difference between outdoor and indoor units.

Nominal heating capacity rating obtained with air entering the indoor unit at 70°F dry bulb (DB) and 60°F wet bulb (WB), and outdoor ambient conditions of 47°F dry bulb (DB) and 43°F wet bulb (WB).

PERFORMANCE DATA

Heating Capacity Tables

MULTI F
MULTI F MAX

Table 247: LMU36CHV Heating Capacity Table — Mixed Indoor Units (continued).

Connected Indoor Units	Combination Capacity Index	Outdoor Air Temp.		Indoor Air Temp. °F DB											
		°F DB	°F WB	61		64		68		70		72		75	
				TC	PI	TC	PI	TC	PI	TC	PI	TC	PI	TC	PI
Two (2) Mixed Indoor Units	18 + 18	-4	-4.4	7.85	2.16	7.50	2.25	7.16	2.28	7.11	2.29	7.06	2.30	6.72	2.39
		0	-0.4	11.39	2.20	10.63	2.29	10.52	2.32	10.38	2.34	10.27	2.36	9.83	2.44
		5	4.5	15.60	2.25	14.84	2.33	14.50	2.38	14.28	2.40	14.09	2.43	13.52	2.51
		10	9	18.42	2.29	17.66	2.37	17.18	2.43	16.88	2.46	16.65	2.49	15.99	2.57
		17	15	21.52	2.35	20.77	2.42	20.11	2.50	19.75	2.54	19.46	2.57	18.71	2.64
		20	19	23.40	2.38	22.65	2.46	21.89	2.54	21.49	2.59	21.16	2.62	20.36	2.70
		25	23	26.54	2.45	25.75	2.52	24.86	2.62	24.38	2.67	24.01	2.71	23.11	2.79
		30	28	29.70	2.53	28.78	2.62	27.79	2.70	27.28	2.76	26.87	2.80	25.89	2.87
		35	32	32.86	2.61	31.81	2.71	30.73	2.77	30.18	2.84	29.74	2.89	28.66	2.96
		40	36	34.53	2.69	33.56	2.78	32.49	2.86	31.93	2.92	31.48	2.97	30.34	3.05
		45	41	36.63	2.78	35.75	2.88	34.70	2.97	34.12	3.02	33.66	3.06	32.44	3.15
		47	43	37.47	2.82	36.63	2.91	35.58	3.01	35.00	3.06	34.53	3.10	33.28	3.19
		50	46	37.58	2.80	36.82	2.89	35.91	2.97	35.39	3.02	34.97	3.05	33.79	3.13
		55	51	37.76	2.77	37.13	2.84	36.45	2.91	36.03	2.94	35.69	2.97	34.64	3.03
		60	56	37.94	2.74	37.45	2.80	36.99	2.85	36.67	2.87	36.42	2.89	35.49	2.93
		63	59	38.05	2.73	37.64	2.77	37.31	2.81	37.06	2.83	36.85	2.84	36.00	2.87
		68	64	38.16	2.71	37.83	2.74	37.64	2.78	37.45	2.78	37.29	2.79	36.51	2.81
		12 + 24	-4	-4.4	7.85	2.16	7.50	2.25	7.16	2.28	7.11	2.29	7.06	2.30	6.72
	0		-0.4	11.39	2.20	10.63	2.29	10.52	2.32	10.38	2.34	10.27	2.36	9.83	2.44
	5		4.5	15.60	2.25	14.84	2.33	14.50	2.38	14.28	2.40	14.09	2.43	13.52	2.51
	10		9	18.42	2.29	17.66	2.37	17.18	2.43	16.88	2.46	16.65	2.49	15.99	2.57
	17		15	21.52	2.35	20.77	2.42	20.11	2.50	19.75	2.54	19.46	2.57	18.71	2.64
	20		19	23.40	2.38	22.65	2.46	21.89	2.54	21.49	2.59	21.16	2.62	20.36	2.70
	25		23	26.54	2.45	25.75	2.52	24.86	2.62	24.38	2.67	24.01	2.71	23.11	2.79
	30		28	29.70	2.53	28.78	2.62	27.79	2.70	27.28	2.76	26.87	2.80	25.89	2.87
	35		32	32.86	2.61	31.81	2.71	30.73	2.77	30.18	2.84	29.74	2.89	28.66	2.96
	40		36	34.53	2.69	33.56	2.78	32.49	2.86	31.93	2.92	31.48	2.97	30.34	3.05
	45		41	36.63	2.78	35.75	2.88	34.70	2.97	34.12	3.02	33.66	3.06	32.44	3.15
	47		43	37.47	2.82	36.63	2.91	35.58	3.01	35.00	3.06	34.53	3.10	33.28	3.19
	50		46	37.58	2.80	36.82	2.89	35.91	2.97	35.39	3.02	34.97	3.05	33.79	3.13
	55		51	37.76	2.77	37.13	2.84	36.45	2.91	36.03	2.94	35.69	2.97	34.64	3.03
	60		56	37.94	2.74	37.45	2.80	36.99	2.85	36.67	2.87	36.42	2.89	35.49	2.93
	63		59	38.05	2.73	37.64	2.77	37.31	2.81	37.06	2.83	36.85	2.84	36.00	2.87
	68		64	38.16	2.71	37.83	2.74	37.64	2.78	37.45	2.78	37.29	2.79	36.51	2.81
	15 + 24		-4	-4.4	7.85	2.16	7.50	2.25	7.16	2.28	7.11	2.29	7.06	2.30	6.72
		0	-0.4	11.39	2.20	10.63	2.29	10.52	2.32	10.38	2.34	10.27	2.36	9.83	2.44
		5	4.5	15.60	2.25	14.84	2.33	14.50	2.38	14.28	2.40	14.09	2.43	13.52	2.51
		10	9	18.42	2.29	17.66	2.37	17.18	2.43	16.88	2.46	16.65	2.49	15.99	2.57
		17	15	21.52	2.35	20.77	2.42	20.11	2.50	19.75	2.54	19.46	2.57	18.71	2.64
		20	19	23.40	2.38	22.65	2.46	21.89	2.54	21.49	2.59	21.16	2.62	20.36	2.70
		25	23	26.54	2.45	25.75	2.52	24.86	2.62	24.38	2.67	24.01	2.71	23.11	2.79
		30	28	29.70	2.53	28.78	2.62	27.79	2.70	27.28	2.76	26.87	2.80	25.89	2.87
		35	32	32.86	2.61	31.81	2.71	30.73	2.77	30.18	2.84	29.74	2.89	28.66	2.96
		40	36	34.53	2.69	33.56	2.78	32.49	2.86	31.93	2.92	31.48	2.97	30.34	3.05
		45	41	36.63	2.78	35.75	2.88	34.70	2.97	34.12	3.02	33.66	3.06	32.44	3.15
		47	43	37.47	2.82	36.63	2.91	35.58	3.01	35.00	3.06	34.53	3.10	33.28	3.19
		50	46	37.58	2.80	36.82	2.89	35.91	2.97	35.39	3.02	34.97	3.05	33.79	3.13
		55	51	37.76	2.77	37.13	2.84	36.45	2.91	36.03	2.94	35.69	2.97	34.64	3.03
60		56	37.94	2.74	37.45	2.80	36.99	2.85	36.67	2.87	36.42	2.89	35.49	2.93	
63		59	38.05	2.73	37.64	2.77	37.31	2.81	37.06	2.83	36.85	2.84	36.00	2.87	
68		64	38.16	2.71	37.83	2.74	37.64	2.78	37.45	2.78	37.29	2.79	36.51	2.81	

TC = Total Capacity (kBtu/h).

PI = Power Input (kW).

Nominal capacity as rated: 0 ft. above sea level with 25 ft. of refrigerant piping.
0 ft. level difference between outdoor and indoor units.

Nominal heating capacity rating obtained with air entering the indoor unit at 70°F dry bulb (DB) and 60°F wet bulb (WB), and outdoor ambient conditions of 47°F dry bulb (DB) and 43°F wet bulb (WB).



Table 248: LMU36CHV Heating Capacity Table — Mixed Indoor Units (continued).

Connected Indoor Units	Combination Capacity Index	Outdoor Air Temp.		Indoor Air Temp. °F DB												
		°F DB	°F WB	61		64		68		70		72		75		
				TC	PI	TC	PI	TC	PI	TC	PI	TC	PI	TC	PI	
Two (2) Mixed Indoor Units	18 + 24*	-4	-4.4	7.85	2.16	7.50	2.25	7.16	2.28	7.11	2.29	7.06	2.30	6.72	2.39	
		0	-0.4	11.39	2.20	10.63	2.29	10.52	2.32	10.38	2.34	10.27	2.36	9.83	2.44	
		5	4.5	15.60	2.25	14.84	2.33	14.50	2.38	14.28	2.40	14.09	2.43	13.52	2.51	
		10	9	18.42	2.29	17.66	2.37	17.18	2.43	16.88	2.46	16.65	2.49	15.99	2.57	
		17	15	21.52	2.35	20.77	2.42	20.11	2.50	19.75	2.54	19.46	2.57	18.71	2.64	
		20	19	23.40	2.38	22.65	2.46	21.89	2.54	21.49	2.59	21.16	2.62	20.36	2.70	
		25	23	26.54	2.45	25.75	2.52	24.86	2.62	24.38	2.67	24.01	2.71	23.11	2.79	
		30	28	29.70	2.53	28.78	2.62	27.79	2.70	27.28	2.76	26.87	2.80	25.89	2.87	
		35	32	32.86	2.61	31.81	2.71	30.73	2.77	30.18	2.84	29.74	2.89	28.66	2.96	
		40	36	34.53	2.69	33.56	2.78	32.49	2.86	31.93	2.92	31.48	2.97	30.34	3.05	
		45	41	36.63	2.78	35.75	2.88	34.70	2.97	34.12	3.02	33.66	3.06	32.44	3.15	
		47	43	37.47	2.82	36.63	2.91	35.58	3.01	35.00	3.06	34.53	3.10	33.28	3.19	
		50	46	37.58	2.80	36.82	2.89	35.91	2.97	35.39	3.02	34.97	3.05	33.79	3.13	
		55	51	37.76	2.77	37.13	2.84	36.45	2.91	36.03	2.94	35.69	2.97	34.64	3.03	
		60	56	37.94	2.74	37.45	2.80	36.99	2.85	36.67	2.87	36.42	2.89	35.49	2.93	
		63	59	38.05	2.73	37.64	2.77	37.31	2.81	37.06	2.83	36.85	2.84	36.00	2.87	
		68	64	38.16	2.71	37.83	2.74	37.64	2.78	37.45	2.78	37.29	2.79	36.51	2.81	
		68	64	38.16	2.71	37.83	2.74	37.64	2.78	37.45	2.78	37.29	2.79	36.51	2.81	
	68	64	38.16	2.71	37.83	2.74	37.64	2.78	37.45	2.78	37.29	2.79	36.51	2.81		
	68	64	38.16	2.71	37.83	2.74	37.64	2.78	37.45	2.78	37.29	2.79	36.51	2.81		
	Three (3) Mixed Indoor Units	7 + 7 + 9	-4	-4.4	5.52	1.66	5.27	1.73	5.03	1.75	4.99	1.76	4.96	1.77	4.72	1.84
			0	-0.4	8.01	1.69	7.47	1.76	7.39	1.78	7.30	1.80	7.22	1.81	6.91	1.88
			5	4.5	10.96	1.73	10.43	1.79	10.19	1.83	10.03	1.85	9.90	1.86	9.50	1.93
			10	9	12.94	1.76	12.42	1.82	12.07	1.86	11.87	1.89	11.70	1.91	11.24	1.97
			17	15	15.12	1.80	14.60	1.86	14.14	1.92	13.88	1.95	13.68	1.97	13.15	2.03
			20	19	16.44	1.83	15.92	1.89	15.39	1.95	15.10	1.99	14.87	2.02	14.31	2.07
			25	23	18.65	1.88	18.10	1.94	17.47	2.01	17.14	2.05	16.87	2.08	16.24	2.14
			30	28	20.87	1.94	20.23	2.01	19.53	2.07	19.18	2.12	18.89	2.15	18.19	2.21
			35	32	23.10	2.01	22.36	2.08	21.60	2.13	21.21	2.18	20.90	2.22	20.15	2.27
			40	36	24.27	2.06	23.59	2.14	22.84	2.20	22.44	2.24	22.13	2.28	21.33	2.34
			45	41	25.74	2.14	25.13	2.21	24.39	2.28	23.98	2.32	23.66	2.35	22.80	2.42
			47	43	26.33	2.17	25.74	2.24	25.01	2.31	24.60	2.35	24.27	2.38	23.39	2.45
			50	46	26.41	2.15	25.88	2.22	25.24	2.28	24.87	2.32	24.58	2.34	23.75	2.41
			55	51	26.54	2.13	26.10	2.18	25.62	2.23	25.32	2.26	25.09	2.28	24.35	2.33
			60	56	26.67	2.11	26.32	2.15	26.00	2.19	25.77	2.20	25.60	2.22	24.94	2.25
			63	59	26.75	2.09	26.45	2.13	26.23	2.16	26.05	2.17	25.90	2.18	25.30	2.21
68			64	26.82	2.08	26.59	2.11	26.46	2.13	26.32	2.14	26.21	2.14	25.66	2.16	
68			64	26.82	2.08	26.59	2.11	26.46	2.13	26.32	2.14	26.21	2.14	25.66	2.16	
68		64	26.82	2.08	26.59	2.11	26.46	2.13	26.32	2.14	26.21	2.14	25.66	2.16		
68		64	26.82	2.08	26.59	2.11	26.46	2.13	26.32	2.14	26.21	2.14	25.66	2.16		

TC = Total Capacity (kBtu/h).

PI = Power Input (kW).

Nominal capacity as rated: 0 ft. above sea level with 25 ft. of refrigerant piping.
0 ft. level difference between outdoor and indoor units.

Nominal heating capacity rating obtained with air entering the indoor unit at 70°F dry bulb (DB) and 60°F wet bulb (WB), and outdoor ambient conditions of 47°F dry bulb (DB) and 43°F wet bulb (WB).

*The indoor unit must be non-ducted type.

PERFORMANCE DATA

Heating Capacity Tables

MULTI F
MULTI F MAX

Table 249: LMU36CHV Heating Capacity Table — Mixed Indoor Units (continued).

Connected Indoor Units	Combination Capacity Index	Outdoor Air Temp.		Indoor Air Temp. °F DB											
		°F DB	°F WB	61		64		68		70		72		75	
				TC	PI	TC	PI	TC	PI	TC	PI	TC	PI	TC	PI
Three (3) Mixed Indoor Units	7 + 9 + 9	-4	-4.4	6.00	1.78	5.73	1.85	5.47	1.87	5.43	1.88	5.40	1.89	5.13	1.96
		0	-0.4	8.70	1.81	8.12	1.87	8.03	1.90	7.93	1.92	7.85	1.93	7.51	2.00
		5	4.5	11.92	1.84	11.34	1.91	11.08	1.95	10.91	1.97	10.77	1.99	10.33	2.06
		10	9	14.07	1.88	13.50	1.94	13.12	1.99	12.90	2.02	12.72	2.04	12.22	2.10
		17	15	16.44	1.92	15.87	1.99	15.37	2.05	15.09	2.08	14.87	2.11	14.29	2.17
		20	19	17.87	1.95	17.30	2.01	16.73	2.08	16.42	2.12	16.17	2.15	15.55	2.21
		25	23	20.27	2.01	19.67	2.07	18.99	2.15	18.63	2.19	18.34	2.23	17.65	2.28
		30	28	22.69	2.08	21.99	2.15	21.23	2.21	20.84	2.26	20.53	2.30	19.78	2.36
		35	32	25.11	2.14	24.31	2.22	23.48	2.28	23.06	2.33	22.72	2.37	21.90	2.43
		40	36	26.38	2.20	25.64	2.28	24.83	2.35	24.40	2.40	24.05	2.43	23.18	2.50
		45	41	27.98	2.28	27.32	2.36	26.51	2.43	26.07	2.48	25.72	2.51	24.78	2.59
		47	43	28.62	2.31	27.98	2.39	27.18	2.47	26.74	2.51	26.38	2.54	25.43	2.62
		50	46	28.71	2.30	28.13	2.37	27.43	2.44	27.03	2.47	26.72	2.50	25.81	2.57
		55	51	28.85	2.28	28.37	2.33	27.85	2.39	27.53	2.41	27.27	2.44	26.46	2.49
		60	56	28.99	2.25	28.61	2.29	28.26	2.34	28.02	2.35	27.82	2.37	27.11	2.41
		63	59	29.07	2.24	28.75	2.27	28.51	2.31	28.31	2.32	28.16	2.33	27.50	2.36
		68	64	29.16	2.22	28.90	2.25	28.76	2.28	28.61	2.28	28.49	2.29	27.90	2.31
		7 + 7 + 12	-4	-4.4	6.24	1.80	5.96	1.88	5.69	1.90	5.65	1.91	5.61	1.92	5.34
	0	-0.4	9.05	1.83	8.44	1.90	8.36	1.93	8.25	1.95	8.16	1.97	7.81	2.04	
	5	4.5	12.39	1.87	11.79	1.94	11.53	1.98	11.34	2.00	11.20	2.02	10.74	2.09	
	10	9	14.63	1.91	14.04	1.97	13.65	2.02	13.41	2.05	13.23	2.07	12.71	2.14	
	17	15	17.10	1.95	16.50	2.02	15.98	2.08	15.69	2.11	15.46	2.14	14.87	2.20	
	20	19	18.59	1.99	18.00	2.05	17.40	2.12	17.07	2.16	16.82	2.19	16.18	2.25	
	25	23	21.09	2.04	20.46	2.10	19.75	2.18	19.38	2.23	19.08	2.26	18.36	2.32	
	30	28	23.60	2.11	22.87	2.18	22.08	2.25	21.68	2.30	21.35	2.34	20.57	2.39	
	35	32	26.11	2.18	25.28	2.25	24.42	2.31	23.98	2.37	23.63	2.41	22.77	2.47	
	40	36	27.44	2.24	26.67	2.32	25.82	2.38	25.37	2.43	25.01	2.47	24.11	2.54	
	45	41	29.10	2.32	28.41	2.40	27.57	2.47	27.11	2.52	26.75	2.55	25.78	2.63	
	47	43	29.77	2.35	29.10	2.43	28.27	2.51	27.81	2.55	27.44	2.58	26.44	2.66	
	50	46	29.86	2.34	29.25	2.41	28.53	2.48	28.12	2.51	27.79	2.54	26.85	2.61	
	55	51	30.00	2.31	29.50	2.37	28.96	2.43	28.63	2.45	28.36	2.47	27.52	2.53	
	60	56	30.15	2.29	29.76	2.33	29.39	2.37	29.14	2.39	28.94	2.41	28.20	2.44	
	63	59	30.24	2.27	29.91	2.31	29.65	2.34	29.44	2.36	29.28	2.36	28.60	2.39	
	68	64	30.32	2.26	30.06	2.29	29.91	2.31	29.75	2.32	29.63	2.32	29.01	2.34	
	9 + 9 + 9	-4	-4.4	6.48	1.83	6.19	1.90	5.91	1.93	5.86	1.94	5.83	1.95	5.54	2.02
	0	-0.4	9.40	1.86	8.77	1.93	8.68	1.97	8.57	1.98	8.48	2.00	8.11	2.07	
	5	4.5	12.87	1.90	12.25	1.97	11.97	2.01	11.78	2.03	11.63	2.05	11.15	2.12	
	10	9	15.20	1.94	14.58	2.00	14.17	2.05	13.93	2.08	13.74	2.11	13.19	2.17	
	17	15	17.75	1.99	17.14	2.05	16.60	2.11	16.30	2.15	16.06	2.18	15.44	2.24	
	20	19	19.30	2.02	18.69	2.08	18.07	2.15	17.73	2.19	17.46	2.22	16.80	2.28	
	25	23	21.90	2.08	21.25	2.14	20.51	2.22	20.12	2.26	19.81	2.30	19.06	2.36	
	30	28	24.51	2.14	23.75	2.21	22.93	2.28	22.51	2.33	22.17	2.37	21.36	2.43	
	35	32	27.11	2.21	26.25	2.29	25.36	2.35	24.90	2.40	24.54	2.45	23.65	2.51	
	40	36	28.50	2.28	27.70	2.35	26.81	2.42	26.35	2.47	25.98	2.51	25.04	2.58	
	45	41	30.22	2.36	29.50	2.43	28.63	2.51	28.16	2.56	27.78	2.59	26.77	2.67	
	47	43	30.91	2.39	30.22	2.47	29.36	2.55	28.88	2.59	28.50	2.63	27.46	2.70	
	50	46	31.00	2.37	30.38	2.44	29.63	2.52	29.20	2.55	28.85	2.58	27.88	2.65	
	55	51	31.16	2.35	30.64	2.41	30.07	2.46	29.73	2.49	29.45	2.51	28.58	2.57	
60	56	31.31	2.32	30.90	2.37	30.52	2.41	30.26	2.43	30.05	2.44	29.28	2.48		
63	59	31.40	2.31	31.06	2.35	30.79	2.38	30.58	2.39	30.41	2.40	29.70	2.43		
68	64	31.49	2.29	31.21	2.32	31.06	2.35	30.90	2.36	30.77	2.36	30.13	2.38		

TC = Total Capacity (kBtu/h).

PI = Power Input (kW).

Nominal capacity as rated: 0 ft. above sea level with 25 ft. of refrigerant piping.
0 ft. level difference between outdoor and indoor units.

Nominal heating capacity rating obtained with air entering the indoor unit at 70°F dry bulb (DB) and 60°F wet bulb (WB), and outdoor ambient conditions of 47°F dry bulb (DB) and 43°F wet bulb (WB).



Table 250: LMU36CHV Heating Capacity Table — Mixed Indoor Units (continued).

Connected Indoor Units	Combination Capacity Index	Outdoor Air Temp.		Indoor Air Temp. °F DB												
		°F DB	°F WB	61		64		68		70		72		75		
				TC	PI	TC	PI	TC	PI	TC	PI	TC	PI	TC	PI	
Three (3) Mixed Indoor Units	7 + 9 + 12	-4	-4.4	6.71	1.87	6.42	1.94	6.12	1.96	6.08	1.98	6.04	1.99	5.75	2.06	
		0	-0.4	9.74	1.90	9.09	1.97	9.00	2.00	8.88	2.02	8.79	2.03	8.41	2.11	
		5	4.5	13.34	1.94	12.70	2.01	12.41	2.05	12.21	2.07	12.05	2.09	11.56	2.16	
		10	9	15.75	1.98	15.11	2.04	14.69	2.09	14.44	2.12	14.24	2.15	13.68	2.21	
		17	15	18.41	2.02	17.77	2.09	17.21	2.15	16.89	2.19	16.65	2.22	16.01	2.28	
		20	19	20.01	2.06	19.38	2.12	18.73	2.19	18.38	2.23	18.10	2.26	17.42	2.33	
		25	23	22.70	2.12	22.03	2.18	21.26	2.26	20.86	2.30	20.54	2.34	19.76	2.40	
		30	28	25.41	2.18	24.62	2.26	23.77	2.33	23.34	2.38	22.99	2.42	22.14	2.48	
		35	32	28.11	2.25	27.21	2.33	26.29	2.39	25.82	2.45	25.44	2.49	24.52	2.56	
		40	36	29.54	2.32	28.71	2.40	27.80	2.47	27.32	2.52	26.93	2.56	25.95	2.63	
		45	41	31.33	2.40	30.58	2.48	29.68	2.56	29.19	2.61	28.80	2.64	27.75	2.72	
		47	43	32.05	2.43	31.33	2.51	30.44	2.60	29.94	2.64	29.54	2.68	28.47	2.76	
		50	46	32.14	2.42	31.49	2.49	30.71	2.56	30.27	2.60	29.91	2.63	28.90	2.70	
		55	51	32.30	2.39	31.76	2.45	31.18	2.51	30.82	2.54	30.53	2.56	29.63	2.62	
		60	56	32.46	2.37	32.03	2.41	31.64	2.46	31.37	2.48	31.15	2.49	30.36	2.53	
		63	59	32.55	2.35	32.20	2.39	31.92	2.43	31.70	2.44	31.52	2.45	30.79	2.48	
		68	64	32.65	2.34	32.36	2.37	32.20	2.39	32.03	2.40	31.90	2.41	31.23	2.43	
		9 + 9 + 12	9 + 9 + 12	-4	-4.4	7.19	1.95	6.88	2.03	6.56	2.05	6.51	2.07	6.47	2.08	6.16
	0	-0.4		10.44	1.99	9.74	2.06	9.64	2.09	9.52	2.11	9.42	2.13	9.01	2.20	
	5	4.5		14.30	2.03	13.60	2.10	13.29	2.14	13.08	2.17	12.92	2.19	12.39	2.26	
	10	9		16.88	2.06	16.19	2.14	15.74	2.19	15.47	2.22	15.26	2.24	14.66	2.31	
	17	15		19.72	2.12	19.04	2.18	18.44	2.25	18.10	2.29	17.84	2.32	17.15	2.39	
	20	19		21.44	2.15	20.76	2.21	20.07	2.29	19.70	2.33	19.40	2.37	18.66	2.43	
	25	23		24.32	2.21	23.60	2.28	22.78	2.36	22.35	2.41	22.01	2.45	21.18	2.51	
	30	28		27.22	2.28	26.38	2.36	25.47	2.43	25.01	2.49	24.63	2.53	23.73	2.59	
	35	32		30.12	2.36	29.16	2.44	28.17	2.50	27.66	2.56	27.26	2.61	26.27	2.67	
	40	36		31.65	2.42	30.76	2.51	29.78	2.58	29.27	2.63	28.85	2.68	27.81	2.75	
	45	41		33.57	2.51	32.77	2.59	31.80	2.68	31.28	2.72	30.85	2.76	29.73	2.84	
	47	43		34.34	2.54	33.57	2.63	32.61	2.71	32.08	2.76	31.65	2.80	30.50	2.88	
	50	46		34.44	2.53	33.75	2.60	32.91	2.68	32.43	2.72	32.05	2.75	30.97	2.83	
	55	51		34.61	2.50	34.03	2.56	33.41	2.62	33.02	2.65	32.72	2.68	31.75	2.74	
	60	56		34.78	2.48	34.32	2.52	33.90	2.57	33.61	2.59	33.38	2.60	32.53	2.64	
	63	59		34.88	2.46	34.50	2.50	34.20	2.54	33.97	2.55	33.78	2.56	32.99	2.59	
	68	64		34.98	2.44	34.67	2.47	34.50	2.50	34.32	2.51	34.18	2.52	33.47	2.54	
	7 + 9 + 15	7 + 9 + 15		-4	-4.4	7.43	1.99	7.11	2.07	6.78	2.10	6.73	2.11	6.69	2.12	6.36
	0		-0.4	10.79	2.03	10.06	2.11	9.96	2.14	9.83	2.16	9.73	2.17	9.31	2.25	
	5		4.5	14.77	2.07	14.06	2.15	13.74	2.19	13.52	2.22	13.35	2.24	12.80	2.31	
	10		9	17.44	2.11	16.73	2.18	16.27	2.24	15.99	2.27	15.77	2.29	15.15	2.36	
	17		15	20.38	2.16	19.67	2.23	19.05	2.30	18.71	2.34	18.43	2.37	17.72	2.44	
	20		19	22.16	2.20	21.45	2.26	20.74	2.34	20.35	2.38	20.04	2.42	19.28	2.49	
	25		23	25.13	2.26	24.39	2.33	23.54	2.41	23.10	2.46	22.74	2.50	21.88	2.57	
	30		28	28.13	2.33	27.26	2.41	26.32	2.48	25.84	2.54	25.45	2.58	24.52	2.65	
	35		32	31.12	2.41	30.13	2.49	29.11	2.56	28.58	2.62	28.16	2.66	27.15	2.73	
	40		36	32.71	2.48	31.79	2.56	30.78	2.64	30.24	2.69	29.82	2.74	28.74	2.81	
	45		41	34.69	2.57	33.86	2.65	32.87	2.73	32.32	2.78	31.88	2.82	30.72	2.91	
	47		43	35.48	2.60	34.69	2.69	33.70	2.77	33.15	2.82	32.71	2.86	31.52	2.94	
	50		46	35.59	2.58	34.87	2.66	34.01	2.74	33.52	2.78	33.12	2.81	32.00	2.89	
	55		51	35.76	2.56	35.17	2.62	34.52	2.68	34.12	2.71	33.81	2.74	32.81	2.80	
	60		56	35.94	2.53	35.47	2.58	35.03	2.63	34.73	2.65	34.49	2.66	33.61	2.70	
	63		59	36.04	2.51	35.65	2.55	35.34	2.59	35.10	2.60	34.90	2.62	34.09	2.65	
	68		64	36.15	2.50	35.83	2.53	35.65	2.56	35.47	2.57	35.32	2.57	34.58	2.59	

TC = Total Capacity (kBtu/h).

PI = Power Input (kW).

Nominal capacity as rated: 0 ft. above sea level with 25 ft. of refrigerant piping.
0 ft. level difference between outdoor and indoor units.

Nominal heating capacity rating obtained with air entering the indoor unit at 70°F dry bulb (DB) and 60°F wet bulb (WB), and outdoor ambient conditions of 47°F dry bulb (DB) and 43°F wet bulb (WB).

PERFORMANCE DATA

Heating Capacity Tables

MULTI F
MULTI F MAX

Table 251: LMU36CHV Heating Capacity Table — Mixed Indoor Units (continued).

Connected Indoor Units	Combination Capacity Index	Outdoor Air Temp.		Indoor Air Temp. °F DB											
		°F DB	°F WB	61		64		68		70		72		75	
				TC	PI	TC	PI	TC	PI	TC	PI	TC	PI	TC	PI
Three (3) Mixed Indoor Units	7 + 12 + 12	-4	-4.4	7.43	1.99	7.11	2.07	6.78	2.10	6.73	2.11	6.69	2.12	6.36	2.20
		0	-0.4	10.79	2.03	10.06	2.11	9.96	2.14	9.83	2.16	9.73	2.17	9.31	2.25
		5	4.5	14.77	2.07	14.06	2.15	13.74	2.19	13.52	2.22	13.35	2.24	12.80	2.31
		10	9	17.44	2.11	16.73	2.18	16.27	2.24	15.99	2.27	15.77	2.29	15.15	2.36
		17	15	20.38	2.16	19.67	2.23	19.05	2.30	18.71	2.34	18.43	2.37	17.72	2.44
		20	19	22.16	2.20	21.45	2.26	20.74	2.34	20.35	2.38	20.04	2.42	19.28	2.49
		25	23	25.13	2.26	24.39	2.33	23.54	2.41	23.10	2.46	22.74	2.50	21.88	2.57
		30	28	28.13	2.33	27.26	2.41	26.32	2.48	25.84	2.54	25.45	2.58	24.52	2.65
		35	32	31.12	2.41	30.13	2.49	29.11	2.56	28.58	2.62	28.16	2.66	27.15	2.73
		40	36	32.71	2.48	31.79	2.56	30.78	2.64	30.24	2.69	29.82	2.74	28.74	2.81
		45	41	34.69	2.57	33.86	2.65	32.87	2.73	32.32	2.78	31.88	2.82	30.72	2.91
		47	43	35.48	2.60	34.69	2.69	33.70	2.77	33.15	2.82	32.71	2.86	31.52	2.94
		50	46	35.59	2.58	34.87	2.66	34.01	2.74	33.52	2.78	33.12	2.81	32.00	2.89
		55	51	35.76	2.56	35.17	2.62	34.52	2.68	34.12	2.71	33.81	2.74	32.81	2.80
		60	56	35.94	2.53	35.47	2.58	35.03	2.63	34.73	2.65	34.49	2.66	33.61	2.70
		63	59	36.04	2.51	35.65	2.55	35.34	2.59	35.10	2.60	34.90	2.62	34.09	2.65
		68	64	36.15	2.50	35.83	2.53	35.65	2.56	35.47	2.57	35.32	2.57	34.58	2.59
		0	-4.4	7.67	2.04	7.34	2.12	7.00	2.14	6.95	2.16	6.90	2.17	6.57	2.25
	5	4.5	15.25	2.12	14.51	2.19	14.18	2.24	13.96	2.26	13.78	2.28	13.22	2.36	
	10	9	18.01	2.15	17.27	2.23	16.79	2.28	16.51	2.32	16.28	2.34	15.63	2.42	
	17	15	21.04	2.21	20.31	2.28	19.67	2.35	19.31	2.39	19.03	2.42	18.29	2.49	
	20	19	22.87	2.24	22.15	2.31	21.41	2.39	21.01	2.44	20.69	2.47	19.91	2.54	
	25	23	25.95	2.31	25.18	2.37	24.30	2.46	23.84	2.51	23.47	2.55	22.59	2.62	
	30	28	29.04	2.38	28.14	2.46	27.17	2.54	26.67	2.59	26.27	2.64	25.31	2.70	
	35	32	32.13	2.46	31.10	2.55	30.05	2.61	29.51	2.67	29.07	2.72	28.02	2.79	
	40	36	33.77	2.53	32.82	2.62	31.77	2.69	31.22	2.75	30.78	2.79	29.66	2.87	
	45	41	35.81	2.62	34.96	2.71	33.93	2.79	33.36	2.84	32.91	2.88	31.72	2.97	
	47	43	36.63	2.66	35.81	2.74	34.79	2.83	34.22	2.88	33.77	2.92	32.54	3.01	
	50	46	36.74	2.64	36.00	2.72	35.11	2.80	34.60	2.84	34.19	2.87	33.04	2.95	
	55	51	36.92	2.61	36.31	2.68	35.63	2.74	35.23	2.77	34.90	2.80	33.87	2.85	
	60	56	37.10	2.58	36.61	2.63	36.16	2.68	35.85	2.70	35.61	2.72	34.70	2.76	
	63	59	37.20	2.57	36.80	2.61	36.48	2.65	36.23	2.66	36.03	2.67	35.19	2.70	
	68	64	37.31	2.55	36.98	2.58	36.80	2.61	36.61	2.62	36.46	2.63	35.70	2.65	
	0	-4.4	11.39	2.07	10.63	2.15	10.52	2.19	10.38	2.20	10.27	2.22	9.83	2.30	
	5	4.5	15.60	2.12	14.84	2.19	14.50	2.24	14.28	2.26	14.09	2.28	13.52	2.36	
	10	9	18.42	2.15	17.66	2.23	17.18	2.28	16.88	2.32	16.65	2.34	15.99	2.42	
	17	15	21.52	2.21	20.77	2.28	20.11	2.35	19.75	2.39	19.46	2.42	18.71	2.49	
	20	19	23.40	2.24	22.65	2.31	21.89	2.39	21.49	2.44	21.16	2.47	20.36	2.54	
	25	23	26.54	2.31	25.75	2.37	24.86	2.46	24.38	2.51	24.01	2.55	23.11	2.62	
	30	28	29.70	2.38	28.78	2.46	27.79	2.54	27.28	2.59	26.87	2.64	25.89	2.70	
	35	32	32.86	2.46	31.81	2.55	30.73	2.61	30.18	2.67	29.74	2.72	28.66	2.79	
	40	36	34.53	2.53	33.56	2.62	32.49	2.69	31.93	2.75	31.48	2.79	30.34	2.87	
	45	41	36.63	2.62	35.75	2.71	34.70	2.79	34.12	2.84	33.66	2.88	32.44	2.97	
	47	43	37.47	2.66	36.63	2.74	35.58	2.83	35.00	2.88	34.53	2.92	33.28	3.01	
	50	46	37.58	2.64	36.82	2.72	35.91	2.80	35.39	2.84	34.97	2.87	33.79	2.95	
	55	51	37.76	2.61	37.13	2.68	36.45	2.74	36.03	2.77	35.69	2.80	34.64	2.85	
	60	56	37.94	2.58	37.45	2.63	36.99	2.68	36.67	2.70	36.42	2.72	35.49	2.76	
	63	59	38.05	2.57	37.64	2.61	37.31	2.65	37.06	2.66	36.85	2.67	36.00	2.70	
68	64	38.16	2.55	37.83	2.58	37.64	2.61	37.45	2.62	37.29	2.63	36.51	2.65		

TC = Total Capacity (kBtu/h).

PI = Power Input (kW).

Nominal capacity as rated: 0 ft. above sea level with 25 ft. of refrigerant piping.
0 ft. level difference between outdoor and indoor units.

Nominal heating capacity rating obtained with air entering the indoor unit at 70°F dry bulb (DB) and 60°F wet bulb (WB), and outdoor ambient conditions of 47°F dry bulb (DB) and 43°F wet bulb (WB).

Multi F and Multi F MAX Heat Pump System Engineering Manual

PERFORMANCE DATA

Heating Capacity Tables

MULTI F
MULTI F MAX

Table 253: LMU36CHV Heating Capacity Table — Mixed Indoor Units (continued).

Connected Indoor Units	Combination Capacity Index	Outdoor Air Temp.		Indoor Air Temp. °F DB											
		°F DB	°F WB	61		64		68		70		72		75	
				TC	PI	TC	PI	TC	PI	TC	PI	TC	PI	TC	PI
Three (3) Mixed Indoor Units	9 + 9 + 18	-4	-4.4	7.85	2.04	7.50	2.12	7.16	2.14	7.11	2.16	7.06	2.17	6.72	2.25
		0	-0.4	11.39	2.07	10.63	2.15	10.52	2.19	10.38	2.20	10.27	2.22	9.83	2.30
		5	4.5	15.60	2.12	14.84	2.19	14.50	2.24	14.28	2.26	14.09	2.28	13.52	2.36
		10	9	18.42	2.15	17.66	2.23	17.18	2.28	16.88	2.32	16.65	2.34	15.99	2.42
		17	15	21.52	2.21	20.77	2.28	20.11	2.35	19.75	2.39	19.46	2.42	18.71	2.49
		20	19	23.40	2.24	22.65	2.31	21.89	2.39	21.49	2.44	21.16	2.47	20.36	2.54
		25	23	26.54	2.31	25.75	2.37	24.86	2.46	24.38	2.51	24.01	2.55	23.11	2.62
		30	28	29.70	2.38	28.78	2.46	27.79	2.54	27.28	2.59	26.87	2.64	25.89	2.70
		35	32	32.86	2.46	31.81	2.55	30.73	2.61	30.18	2.67	29.74	2.72	28.66	2.79
		40	36	34.53	2.53	33.56	2.62	32.49	2.69	31.93	2.75	31.48	2.79	30.34	2.87
		45	41	36.63	2.62	35.75	2.71	34.70	2.79	34.12	2.84	33.66	2.88	32.44	2.97
		47	43	37.47	2.66	36.63	2.74	35.58	2.83	35.00	2.88	34.53	2.92	33.28	3.01
		50	46	37.58	2.64	36.82	2.72	35.91	2.80	35.39	2.84	34.97	2.87	33.79	2.95
		55	51	37.76	2.61	37.13	2.68	36.45	2.74	36.03	2.77	35.69	2.80	34.64	2.85
		60	56	37.94	2.58	37.45	2.63	36.99	2.68	36.67	2.70	36.42	2.72	35.49	2.76
		63	59	38.05	2.57	37.64	2.61	37.31	2.65	37.06	2.66	36.85	2.67	36.00	2.70
		68	64	38.16	2.55	37.83	2.58	37.64	2.61	37.45	2.62	37.29	2.63	36.51	2.65
		9 + 12 + 15	-4	-4.4	7.85	2.04	7.50	2.12	7.16	2.14	7.11	2.16	7.06	2.17	6.72
	0		-0.4	11.39	2.07	10.63	2.15	10.52	2.19	10.38	2.20	10.27	2.22	9.83	2.30
	5		4.5	15.60	2.12	14.84	2.19	14.50	2.24	14.28	2.26	14.09	2.28	13.52	2.36
	10		9	18.42	2.15	17.66	2.23	17.18	2.28	16.88	2.32	16.65	2.34	15.99	2.42
	17		15	21.52	2.21	20.77	2.28	20.11	2.35	19.75	2.39	19.46	2.42	18.71	2.49
	20		19	23.40	2.24	22.65	2.31	21.89	2.39	21.49	2.44	21.16	2.47	20.36	2.54
	25		23	26.54	2.31	25.75	2.37	24.86	2.46	24.38	2.51	24.01	2.55	23.11	2.62
	30		28	29.70	2.38	28.78	2.46	27.79	2.54	27.28	2.59	26.87	2.64	25.89	2.70
	35		32	32.86	2.46	31.81	2.55	30.73	2.61	30.18	2.67	29.74	2.72	28.66	2.79
	40		36	34.53	2.53	33.56	2.62	32.49	2.69	31.93	2.75	31.48	2.79	30.34	2.87
	45		41	36.63	2.62	35.75	2.71	34.70	2.79	34.12	2.84	33.66	2.88	32.44	2.97
	47		43	37.47	2.66	36.63	2.74	35.58	2.83	35.00	2.88	34.53	2.92	33.28	3.01
	50		46	37.58	2.64	36.82	2.72	35.91	2.80	35.39	2.84	34.97	2.87	33.79	2.95
	55		51	37.76	2.61	37.13	2.68	36.45	2.74	36.03	2.77	35.69	2.80	34.64	2.85
	60		56	37.94	2.58	37.45	2.63	36.99	2.68	36.67	2.70	36.42	2.72	35.49	2.76
	63		59	38.05	2.57	37.64	2.61	37.31	2.65	37.06	2.66	36.85	2.67	36.00	2.70
	68		64	38.16	2.55	37.83	2.58	37.64	2.61	37.45	2.62	37.29	2.63	36.51	2.65
	12 + 12 + 12		-4	-4.4	7.85	2.04	7.50	2.12	7.16	2.14	7.11	2.16	7.06	2.17	6.72
		0	-0.4	11.39	2.07	10.63	2.15	10.52	2.19	10.38	2.20	10.27	2.22	9.83	2.30
		5	4.5	15.60	2.12	14.84	2.19	14.50	2.24	14.28	2.26	14.09	2.28	13.52	2.36
		10	9	18.42	2.15	17.66	2.23	17.18	2.28	16.88	2.32	16.65	2.34	15.99	2.42
		17	15	21.52	2.21	20.77	2.28	20.11	2.35	19.75	2.39	19.46	2.42	18.71	2.49
		20	19	23.40	2.24	22.65	2.31	21.89	2.39	21.49	2.44	21.16	2.47	20.36	2.54
		25	23	26.54	2.31	25.75	2.37	24.86	2.46	24.38	2.51	24.01	2.55	23.11	2.62
		30	28	29.70	2.38	28.78	2.46	27.79	2.54	27.28	2.59	26.87	2.64	25.89	2.70
		35	32	32.86	2.46	31.81	2.55	30.73	2.61	30.18	2.67	29.74	2.72	28.66	2.79
		40	36	34.53	2.53	33.56	2.62	32.49	2.69	31.93	2.75	31.48	2.79	30.34	2.87
		45	41	36.63	2.62	35.75	2.71	34.70	2.79	34.12	2.84	33.66	2.88	32.44	2.97
		47	43	37.47	2.66	36.63	2.74	35.58	2.83	35.00	2.88	34.53	2.92	33.28	3.01
		50	46	37.58	2.64	36.82	2.72	35.91	2.80	35.39	2.84	34.97	2.87	33.79	2.95
		55	51	37.76	2.61	37.13	2.68	36.45	2.74	36.03	2.77	35.69	2.80	34.64	2.85
60		56	37.94	2.58	37.45	2.63	36.99	2.68	36.67	2.70	36.42	2.72	35.49	2.76	
63		59	38.05	2.57	37.64	2.61	37.31	2.65	37.06	2.66	36.85	2.67	36.00	2.70	
68		64	38.16	2.55	37.83	2.58	37.64	2.61	37.45	2.62	37.29	2.63	36.51	2.65	

TC = Total Capacity (kBtu/h).

PI = Power Input (kW).

Nominal capacity as rated: 0 ft. above sea level with 25 ft. of refrigerant piping.
0 ft. level difference between outdoor and indoor units.

Nominal heating capacity rating obtained with air entering the indoor unit at 70°F dry bulb (DB) and 60°F wet bulb (WB), and outdoor ambient conditions of 47°F dry bulb (DB) and 43°F wet bulb (WB).

Table 254: LMU36CHV Heating Capacity Table — Mixed Indoor Units (continued).

Connected Indoor Units	Combination Capacity Index	Outdoor Air Temp.		Indoor Air Temp. °F DB											
		°F DB	°F WB	61		64		68		70		72		75	
				TC	PI	TC	PI	TC	PI	TC	PI	TC	PI	TC	PI
Three (3) Mixed Indoor Units	7 + 12 + 18	-4	-4.4	7.85	2.04	7.50	2.12	7.16	2.14	7.11	2.16	7.06	2.17	6.72	2.25
		0	-0.4	11.39	2.07	10.63	2.15	10.52	2.19	10.38	2.20	10.27	2.22	9.83	2.30
		5	4.5	15.60	2.12	14.84	2.19	14.50	2.24	14.28	2.26	14.09	2.28	13.52	2.36
		10	9	18.42	2.15	17.66	2.23	17.18	2.28	16.88	2.32	16.65	2.34	15.99	2.42
		17	15	21.52	2.21	20.77	2.28	20.11	2.35	19.75	2.39	19.46	2.42	18.71	2.49
		20	19	23.40	2.24	22.65	2.31	21.89	2.39	21.49	2.44	21.16	2.47	20.36	2.54
		25	23	26.54	2.31	25.75	2.37	24.86	2.46	24.38	2.51	24.01	2.55	23.11	2.62
		30	28	29.70	2.38	28.78	2.46	27.79	2.54	27.28	2.59	26.87	2.64	25.89	2.70
		35	32	32.86	2.46	31.81	2.55	30.73	2.61	30.18	2.67	29.74	2.72	28.66	2.79
		40	36	34.53	2.53	33.56	2.62	32.49	2.69	31.93	2.75	31.48	2.79	30.34	2.87
		45	41	36.63	2.62	35.75	2.71	34.70	2.79	34.12	2.84	33.66	2.88	32.44	2.97
		47	43	37.47	2.66	36.63	2.74	35.58	2.83	35.00	2.88	34.53	2.92	33.28	3.01
		50	46	37.58	2.64	36.82	2.72	35.91	2.80	35.39	2.84	34.97	2.87	33.79	2.95
		55	51	37.76	2.61	37.13	2.68	36.45	2.74	36.03	2.77	35.69	2.80	34.64	2.85
		60	56	37.94	2.58	37.45	2.63	36.99	2.68	36.67	2.70	36.42	2.72	35.49	2.76
		63	59	38.05	2.57	37.64	2.61	37.31	2.65	37.06	2.66	36.85	2.67	36.00	2.70
		68	64	38.16	2.55	37.83	2.58	37.64	2.61	37.45	2.62	37.29	2.63	36.51	2.65
		7 + 7 + 24	-4	-4.4	7.85	2.04	7.50	2.12	7.16	2.14	7.11	2.16	7.06	2.17	6.72
	0		-0.4	11.39	2.07	10.63	2.15	10.52	2.19	10.38	2.20	10.27	2.22	9.83	2.30
	5		4.5	15.60	2.12	14.84	2.19	14.50	2.24	14.28	2.26	14.09	2.28	13.52	2.36
	10		9	18.42	2.15	17.66	2.23	17.18	2.28	16.88	2.32	16.65	2.34	15.99	2.42
	17		15	21.52	2.21	20.77	2.28	20.11	2.35	19.75	2.39	19.46	2.42	18.71	2.49
	20		19	23.40	2.24	22.65	2.31	21.89	2.39	21.49	2.44	21.16	2.47	20.36	2.54
	25		23	26.54	2.31	25.75	2.37	24.86	2.46	24.38	2.51	24.01	2.55	23.11	2.62
	30		28	29.70	2.38	28.78	2.46	27.79	2.54	27.28	2.59	26.87	2.64	25.89	2.70
	35		32	32.86	2.46	31.81	2.55	30.73	2.61	30.18	2.67	29.74	2.72	28.66	2.79
	40		36	34.53	2.53	33.56	2.62	32.49	2.69	31.93	2.75	31.48	2.79	30.34	2.87
	45		41	36.63	2.62	35.75	2.71	34.70	2.79	34.12	2.84	33.66	2.88	32.44	2.97
	47		43	37.47	2.66	36.63	2.74	35.58	2.83	35.00	2.88	34.53	2.92	33.28	3.01
	50		46	37.58	2.64	36.82	2.72	35.91	2.80	35.39	2.84	34.97	2.87	33.79	2.95
	55		51	37.76	2.61	37.13	2.68	36.45	2.74	36.03	2.77	35.69	2.80	34.64	2.85
	60		56	37.94	2.58	37.45	2.63	36.99	2.68	36.67	2.70	36.42	2.72	35.49	2.76
	63		59	38.05	2.57	37.64	2.61	37.31	2.65	37.06	2.66	36.85	2.67	36.00	2.70
	68		64	38.16	2.55	37.83	2.58	37.64	2.61	37.45	2.62	37.29	2.63	36.51	2.65
	9 + 12 + 18		-4	-4.4	7.85	2.04	7.50	2.12	7.16	2.14	7.11	2.16	7.06	2.17	6.72
		0	-0.4	11.39	2.07	10.63	2.15	10.52	2.19	10.38	2.20	10.27	2.22	9.83	2.30
		5	4.5	15.60	2.12	14.84	2.19	14.50	2.24	14.28	2.26	14.09	2.28	13.52	2.36
		10	9	18.42	2.15	17.66	2.23	17.18	2.28	16.88	2.32	16.65	2.34	15.99	2.42
		17	15	21.52	2.21	20.77	2.28	20.11	2.35	19.75	2.39	19.46	2.42	18.71	2.49
		20	19	23.40	2.24	22.65	2.31	21.89	2.39	21.49	2.44	21.16	2.47	20.36	2.54
		25	23	26.54	2.31	25.75	2.37	24.86	2.46	24.38	2.51	24.01	2.55	23.11	2.62
		30	28	29.70	2.38	28.78	2.46	27.79	2.54	27.28	2.59	26.87	2.64	25.89	2.70
		35	32	32.86	2.46	31.81	2.55	30.73	2.61	30.18	2.67	29.74	2.72	28.66	2.79
		40	36	34.53	2.53	33.56	2.62	32.49	2.69	31.93	2.75	31.48	2.79	30.34	2.87
		45	41	36.63	2.62	35.75	2.71	34.70	2.79	34.12	2.84	33.66	2.88	32.44	2.97
		47	43	37.47	2.66	36.63	2.74	35.58	2.83	35.00	2.88	34.53	2.92	33.28	3.01
		50	46	37.58	2.64	36.82	2.72	35.91	2.80	35.39	2.84	34.97	2.87	33.79	2.95
		55	51	37.76	2.61	37.13	2.68	36.45	2.74	36.03	2.77	35.69	2.80	34.64	2.85
60		56	37.94	2.58	37.45	2.63	36.99	2.68	36.67	2.70	36.42	2.72	35.49	2.76	
63		59	38.05	2.57	37.64	2.61	37.31	2.65	37.06	2.66	36.85	2.67	36.00	2.70	
68		64	38.16	2.55	37.83	2.58	37.64	2.61	37.45	2.62	37.29	2.63	36.51	2.65	

TC = Total Capacity (kBtu/h).

PI = Power Input (kW).

Nominal capacity as rated: 0 ft. above sea level with 25 ft. of refrigerant piping.
0 ft. level difference between outdoor and indoor units.

Nominal heating capacity rating obtained with air entering the indoor unit at 70°F dry bulb (DB) and 60°F wet bulb (WB), and outdoor ambient conditions of 47°F dry bulb (DB) and 43°F wet bulb (WB).

PERFORMANCE DATA

Heating Capacity Tables

MULTI F
MULTI F MAX

Table 255: LMU36CHV Heating Capacity Table — Mixed Indoor Units (continued).

Connected Indoor Units	Combination Capacity Index	Outdoor Air Temp.		Indoor Air Temp. °F DB												
		°F DB	°F WB	61		64		68		70		72		75		
				TC	PI	TC	PI	TC	PI	TC	PI	TC	PI	TC	PI	
Three (3) Mixed Indoor Units	9 + 15 + 15	-4	-4.4	7.85	2.04	7.50	2.12	7.16	2.14	7.11	2.16	7.06	2.17	6.72	2.25	
		0	-0.4	11.39	2.07	10.63	2.15	10.52	2.19	10.38	2.20	10.27	2.22	9.83	2.30	
		5	4.5	15.60	2.12	14.84	2.19	14.50	2.24	14.28	2.26	14.09	2.28	13.52	2.36	
		10	9	18.42	2.15	17.66	2.23	17.18	2.28	16.88	2.32	16.65	2.34	15.99	2.42	
		17	15	21.52	2.21	20.77	2.28	20.11	2.35	19.75	2.39	19.46	2.42	18.71	2.49	
		20	19	23.40	2.24	22.65	2.31	21.89	2.39	21.49	2.44	21.16	2.47	20.36	2.54	
		25	23	26.54	2.31	25.75	2.37	24.86	2.46	24.38	2.51	24.01	2.55	23.11	2.62	
		30	28	29.70	2.38	28.78	2.46	27.79	2.54	27.28	2.59	26.87	2.64	25.89	2.70	
		35	32	32.86	2.46	31.81	2.55	30.73	2.61	30.18	2.67	29.74	2.72	28.66	2.79	
		40	36	34.53	2.53	33.56	2.62	32.49	2.69	31.93	2.75	31.48	2.79	30.34	2.87	
		45	41	36.63	2.62	35.75	2.71	34.70	2.79	34.12	2.84	33.66	2.88	32.44	2.97	
		47	43	37.47	2.66	36.63	2.74	35.58	2.83	35.00	2.88	34.53	2.92	33.28	3.01	
		50	46	37.58	2.64	36.82	2.72	35.91	2.80	35.39	2.84	34.97	2.87	33.79	2.95	
		55	51	37.76	2.61	37.13	2.68	36.45	2.74	36.03	2.77	35.69	2.80	34.64	2.85	
		60	56	37.94	2.58	37.45	2.63	36.99	2.68	36.67	2.70	36.42	2.72	35.49	2.76	
		63	59	38.05	2.57	37.64	2.61	37.31	2.65	37.06	2.66	36.85	2.67	36.00	2.70	
		68	64	38.16	2.55	37.83	2.58	37.64	2.61	37.45	2.62	37.29	2.63	36.51	2.65	
		9	12 + 12 + 15	-4	-4.4	7.85	2.04	7.50	2.12	7.16	2.14	7.11	2.16	7.06	2.17	6.72
	0	-0.4		11.39	2.07	10.63	2.15	10.52	2.19	10.38	2.20	10.27	2.22	9.83	2.30	
	5	4.5		15.60	2.12	14.84	2.19	14.50	2.24	14.28	2.26	14.09	2.28	13.52	2.36	
	10	9		18.42	2.15	17.66	2.23	17.18	2.28	16.88	2.32	16.65	2.34	15.99	2.42	
	17	15		21.52	2.21	20.77	2.28	20.11	2.35	19.75	2.39	19.46	2.42	18.71	2.49	
	20	19		23.40	2.24	22.65	2.31	21.89	2.39	21.49	2.44	21.16	2.47	20.36	2.54	
	25	23		26.54	2.31	25.75	2.37	24.86	2.46	24.38	2.51	24.01	2.55	23.11	2.62	
	30	28		29.70	2.38	28.78	2.46	27.79	2.54	27.28	2.59	26.87	2.64	25.89	2.70	
	35	32		32.86	2.46	31.81	2.55	30.73	2.61	30.18	2.67	29.74	2.72	28.66	2.79	
	40	36		34.53	2.53	33.56	2.62	32.49	2.69	31.93	2.75	31.48	2.79	30.34	2.87	
	45	41		36.63	2.62	35.75	2.71	34.70	2.79	34.12	2.84	33.66	2.88	32.44	2.97	
	47	43		37.47	2.66	36.63	2.74	35.58	2.83	35.00	2.88	34.53	2.92	33.28	3.01	
	50	46		37.58	2.64	36.82	2.72	35.91	2.80	35.39	2.84	34.97	2.87	33.79	2.95	
	55	51		37.76	2.61	37.13	2.68	36.45	2.74	36.03	2.77	35.69	2.80	34.64	2.85	
	60	56		37.94	2.58	37.45	2.63	36.99	2.68	36.67	2.70	36.42	2.72	35.49	2.76	
	63	59		38.05	2.57	37.64	2.61	37.31	2.65	37.06	2.66	36.85	2.67	36.00	2.70	
	68	64		38.16	2.55	37.83	2.58	37.64	2.61	37.45	2.62	37.29	2.63	36.51	2.65	
	12	7 + 9 + 24		-4	-4.4	7.85	2.04	7.50	2.12	7.16	2.14	7.11	2.16	7.06	2.17	6.72
	0		-0.4	11.39	2.07	10.63	2.15	10.52	2.19	10.38	2.20	10.27	2.22	9.83	2.30	
	5		4.5	15.60	2.12	14.84	2.19	14.50	2.24	14.28	2.26	14.09	2.28	13.52	2.36	
	10		9	18.42	2.15	17.66	2.23	17.18	2.28	16.88	2.32	16.65	2.34	15.99	2.42	
	17		15	21.52	2.21	20.77	2.28	20.11	2.35	19.75	2.39	19.46	2.42	18.71	2.49	
	20		19	23.40	2.24	22.65	2.31	21.89	2.39	21.49	2.44	21.16	2.47	20.36	2.54	
	25		23	26.54	2.31	25.75	2.37	24.86	2.46	24.38	2.51	24.01	2.55	23.11	2.62	
	30		28	29.70	2.38	28.78	2.46	27.79	2.54	27.28	2.59	26.87	2.64	25.89	2.70	
	35		32	32.86	2.46	31.81	2.55	30.73	2.61	30.18	2.67	29.74	2.72	28.66	2.79	
	40		36	34.53	2.53	33.56	2.62	32.49	2.69	31.93	2.75	31.48	2.79	30.34	2.87	
	45		41	36.63	2.62	35.75	2.71	34.70	2.79	34.12	2.84	33.66	2.88	32.44	2.97	
	47		43	37.47	2.66	36.63	2.74	35.58	2.83	35.00	2.88	34.53	2.92	33.28	3.01	
	50		46	37.58	2.64	36.82	2.72	35.91	2.80	35.39	2.84	34.97	2.87	33.79	2.95	
	55		51	37.76	2.61	37.13	2.68	36.45	2.74	36.03	2.77	35.69	2.80	34.64	2.85	
60	56		37.94	2.58	37.45	2.63	36.99	2.68	36.67	2.70	36.42	2.72	35.49	2.76		
63	59		38.05	2.57	37.64	2.61	37.31	2.65	37.06	2.66	36.85	2.67	36.00	2.70		
68	64		38.16	2.55	37.83	2.58	37.64	2.61	37.45	2.62	37.29	2.63	36.51	2.65		

TC = Total Capacity (kBtu/h).

PI = Power Input (kW).

Nominal capacity as rated: 0 ft. above sea level with 25 ft. of refrigerant piping.
0 ft. level difference between outdoor and indoor units.

Nominal heating capacity rating obtained with air entering the indoor unit at 70°F dry bulb (DB) and 60°F wet bulb (WB), and outdoor ambient conditions of 47°F dry bulb (DB) and 43°F wet bulb (WB).

Table 256: LMU36CHV Heating Capacity Table — Mixed Indoor Units (continued).

Connected Indoor Units	Combination Capacity Index	Outdoor Air Temp.		Indoor Air Temp. °F DB											
		°F DB	°F WB	61		64		68		70		72		75	
				TC	PI	TC	PI	TC	PI	TC	PI	TC	PI	TC	PI
Three (3) Mixed Indoor Units	7 + 15 + 18	-4	-4.4	7.85	2.04	7.50	2.12	7.16	2.14	7.11	2.16	7.06	2.17	6.72	2.25
		0	-0.4	11.39	2.07	10.63	2.15	10.52	2.19	10.38	2.20	10.27	2.22	9.83	2.30
		5	4.5	15.60	2.12	14.84	2.19	14.50	2.24	14.28	2.26	14.09	2.28	13.52	2.36
		10	9	18.42	2.15	17.66	2.23	17.18	2.28	16.88	2.32	16.65	2.34	15.99	2.42
		17	15	21.52	2.21	20.77	2.28	20.11	2.35	19.75	2.39	19.46	2.42	18.71	2.49
		20	19	23.40	2.24	22.65	2.31	21.89	2.39	21.49	2.44	21.16	2.47	20.36	2.54
		25	23	26.54	2.31	25.75	2.37	24.86	2.46	24.38	2.51	24.01	2.55	23.11	2.62
		30	28	29.70	2.38	28.78	2.46	27.79	2.54	27.28	2.59	26.87	2.64	25.89	2.70
		35	32	32.86	2.46	31.81	2.55	30.73	2.61	30.18	2.67	29.74	2.72	28.66	2.79
		40	36	34.53	2.53	33.56	2.62	32.49	2.69	31.93	2.75	31.48	2.79	30.34	2.87
		45	41	36.63	2.62	35.75	2.71	34.70	2.79	34.12	2.84	33.66	2.88	32.44	2.97
		47	43	37.47	2.66	36.63	2.74	35.58	2.83	35.00	2.88	34.53	2.92	33.28	3.01
		50	46	37.58	2.64	36.82	2.72	35.91	2.80	35.39	2.84	34.97	2.87	33.79	2.95
		55	51	37.76	2.61	37.13	2.68	36.45	2.74	36.03	2.77	35.69	2.80	34.64	2.85
		60	56	37.94	2.58	37.45	2.63	36.99	2.68	36.67	2.70	36.42	2.72	35.49	2.76
		63	59	38.05	2.57	37.64	2.61	37.31	2.65	37.06	2.66	36.85	2.67	36.00	2.70
	68	64	38.16	2.55	37.83	2.58	37.64	2.61	37.45	2.62	37.29	2.63	36.51	2.65	
	9 + 9 + 24*	-4	-4.4	7.85	2.04	7.50	2.12	7.16	2.14	7.11	2.16	7.06	2.17	6.72	2.25
		0	-0.4	11.39	2.07	10.63	2.15	10.52	2.19	10.38	2.20	10.27	2.22	9.83	2.30
		5	4.5	15.60	2.12	14.84	2.19	14.50	2.24	14.28	2.26	14.09	2.28	13.52	2.36
		10	9	18.42	2.15	17.66	2.23	17.18	2.28	16.88	2.32	16.65	2.34	15.99	2.42
		17	15	21.52	2.21	20.77	2.28	20.11	2.35	19.75	2.39	19.46	2.42	18.71	2.49
		20	19	23.40	2.24	22.65	2.31	21.89	2.39	21.49	2.44	21.16	2.47	20.36	2.54
		25	23	26.54	2.31	25.75	2.37	24.86	2.46	24.38	2.51	24.01	2.55	23.11	2.62
		30	28	29.70	2.38	28.78	2.46	27.79	2.54	27.28	2.59	26.87	2.64	25.89	2.70
		35	32	32.86	2.46	31.81	2.55	30.73	2.61	30.18	2.67	29.74	2.72	28.66	2.79
		40	36	34.53	2.53	33.56	2.62	32.49	2.69	31.93	2.75	31.48	2.79	30.34	2.87
		45	41	36.63	2.62	35.75	2.71	34.70	2.79	34.12	2.84	33.66	2.88	32.44	2.97
		47	43	37.47	2.66	36.63	2.74	35.58	2.83	35.00	2.88	34.53	2.92	33.28	3.01
		50	46	37.58	2.64	36.82	2.72	35.91	2.80	35.39	2.84	34.97	2.87	33.79	2.95
		55	51	37.76	2.61	37.13	2.68	36.45	2.74	36.03	2.77	35.69	2.80	34.64	2.85
		60	56	37.94	2.58	37.45	2.63	36.99	2.68	36.67	2.70	36.42	2.72	35.49	2.76
		63	59	38.05	2.57	37.64	2.61	37.31	2.65	37.06	2.66	36.85	2.67	36.00	2.70
	68	64	38.16	2.55	37.83	2.58	37.64	2.61	37.45	2.62	37.29	2.63	36.51	2.65	
	9 + 15 + 18	-4	-4.4	7.85	2.04	7.50	2.12	7.16	2.14	7.11	2.16	7.06	2.17	6.72	2.25
		0	-0.4	11.39	2.07	10.63	2.15	10.52	2.19	10.38	2.20	10.27	2.22	9.83	2.30
		5	4.5	15.60	2.12	14.84	2.19	14.50	2.24	14.28	2.26	14.09	2.28	13.52	2.36
		10	9	18.42	2.15	17.66	2.23	17.18	2.28	16.88	2.32	16.65	2.34	15.99	2.42
		17	15	21.52	2.21	20.77	2.28	20.11	2.35	19.75	2.39	19.46	2.42	18.71	2.49
		20	19	23.40	2.24	22.65	2.31	21.89	2.39	21.49	2.44	21.16	2.47	20.36	2.54
		25	23	26.54	2.31	25.75	2.37	24.86	2.46	24.38	2.51	24.01	2.55	23.11	2.62
		30	28	29.70	2.38	28.78	2.46	27.79	2.54	27.28	2.59	26.87	2.64	25.89	2.70
		35	32	32.86	2.46	31.81	2.55	30.73	2.61	30.18	2.67	29.74	2.72	28.66	2.79
		40	36	34.53	2.53	33.56	2.62	32.49	2.69	31.93	2.75	31.48	2.79	30.34	2.87
		45	41	36.63	2.62	35.75	2.71	34.70	2.79	34.12	2.84	33.66	2.88	32.44	2.97
		47	43	37.47	2.66	36.63	2.74	35.58	2.83	35.00	2.88	34.53	2.92	33.28	3.01
		50	46	37.58	2.64	36.82	2.72	35.91	2.80	35.39	2.84	34.97	2.87	33.79	2.95
		55	51	37.76	2.61	37.13	2.68	36.45	2.74	36.03	2.77	35.69	2.80	34.64	2.85
		60	56	37.94	2.58	37.45	2.63	36.99	2.68	36.67	2.70	36.42	2.72	35.49	2.76
		63	59	38.05	2.57	37.64	2.61	37.31	2.65	37.06	2.66	36.85	2.67	36.00	2.70
	68	64	38.16	2.55	37.83	2.58	37.64	2.61	37.45	2.62	37.29	2.63	36.51	2.65	

TC = Total Capacity (kBtu/h).

PI = Power Input (kW).

Nominal capacity as rated: 0 ft. above sea level with 25 ft. of refrigerant piping.
0 ft. level difference between outdoor and indoor units.

Nominal heating capacity rating obtained with air entering the indoor unit at 70°F dry bulb (DB) and 60°F wet bulb (WB), and outdoor ambient conditions of 47°F dry bulb (DB) and 43°F wet bulb (WB).

*The indoor unit must be non-ducted type.

PERFORMANCE DATA

Heating Capacity Tables

MULTI F
MULTI F MAX

Table 257: LMU36CHV Heating Capacity Table — Mixed Indoor Units (continued).

Connected Indoor Units	Combination Capacity Index	Outdoor Air Temp.		Indoor Air Temp. °F DB												
		°F DB	°F WB	61		64		68		70		72		75		
				TC	PI	TC	PI	TC	PI	TC	PI	TC	PI	TC	PI	
Three (3) Mixed Indoor Units	12 + 12 + 18	-4	-4.4	7.85	2.04	7.50	2.12	7.16	2.14	7.11	2.16	7.06	2.17	6.72	2.25	
		0	-0.4	11.39	2.07	10.63	2.15	10.52	2.19	10.38	2.20	10.27	2.22	9.83	2.30	
		5	4.5	15.60	2.12	14.84	2.19	14.50	2.24	14.28	2.26	14.09	2.28	13.52	2.36	
		10	9	18.42	2.15	17.66	2.23	17.18	2.28	16.88	2.32	16.65	2.34	15.99	2.42	
		17	15	21.52	2.21	20.77	2.28	20.11	2.35	19.75	2.39	19.46	2.42	18.71	2.49	
		20	19	23.40	2.24	22.65	2.31	21.89	2.39	21.49	2.44	21.16	2.47	20.36	2.54	
		25	23	26.54	2.31	25.75	2.37	24.86	2.46	24.38	2.51	24.01	2.55	23.11	2.62	
		30	28	29.70	2.38	28.78	2.46	27.79	2.54	27.28	2.59	26.87	2.64	25.89	2.70	
		35	32	32.86	2.46	31.81	2.55	30.73	2.61	30.18	2.67	29.74	2.72	28.66	2.79	
		40	36	34.53	2.53	33.56	2.62	32.49	2.69	31.93	2.75	31.48	2.79	30.34	2.87	
		45	41	36.63	2.62	35.75	2.71	34.70	2.79	34.12	2.84	33.66	2.88	32.44	2.97	
		47	43	37.47	2.66	36.63	2.74	35.58	2.83	35.00	2.88	34.53	2.92	33.28	3.01	
		50	46	37.58	2.64	36.82	2.72	35.91	2.80	35.39	2.84	34.97	2.87	33.79	2.95	
		55	51	37.76	2.61	37.13	2.68	36.45	2.74	36.03	2.77	35.69	2.80	34.64	2.85	
		60	56	37.94	2.58	37.45	2.63	36.99	2.68	36.67	2.70	36.42	2.72	35.49	2.76	
		63	59	38.05	2.57	37.64	2.61	37.31	2.65	37.06	2.66	36.85	2.67	36.00	2.70	
		68	64	38.16	2.55	37.83	2.58	37.64	2.61	37.45	2.62	37.29	2.63	36.51	2.65	
		12 + 15 + 15	12 + 15 + 15	-4	-4.4	7.85	2.04	7.50	2.12	7.16	2.14	7.11	2.16	7.06	2.17	6.72
	0	-0.4		11.39	2.07	10.63	2.15	10.52	2.19	10.38	2.20	10.27	2.22	9.83	2.30	
	5	4.5		15.60	2.12	14.84	2.19	14.50	2.24	14.28	2.26	14.09	2.28	13.52	2.36	
	10	9		18.42	2.15	17.66	2.23	17.18	2.28	16.88	2.32	16.65	2.34	15.99	2.42	
	17	15		21.52	2.21	20.77	2.28	20.11	2.35	19.75	2.39	19.46	2.42	18.71	2.49	
	20	19		23.40	2.24	22.65	2.31	21.89	2.39	21.49	2.44	21.16	2.47	20.36	2.54	
	25	23		26.54	2.31	25.75	2.37	24.86	2.46	24.38	2.51	24.01	2.55	23.11	2.62	
	30	28		29.70	2.38	28.78	2.46	27.79	2.54	27.28	2.59	26.87	2.64	25.89	2.70	
	35	32		32.86	2.46	31.81	2.55	30.73	2.61	30.18	2.67	29.74	2.72	28.66	2.79	
	40	36		34.53	2.53	33.56	2.62	32.49	2.69	31.93	2.75	31.48	2.79	30.34	2.87	
	45	41		36.63	2.62	35.75	2.71	34.70	2.79	34.12	2.84	33.66	2.88	32.44	2.97	
	47	43		37.47	2.66	36.63	2.74	35.58	2.83	35.00	2.88	34.53	2.92	33.28	3.01	
	50	46		37.58	2.64	36.82	2.72	35.91	2.80	35.39	2.84	34.97	2.87	33.79	2.95	
	55	51		37.76	2.61	37.13	2.68	36.45	2.74	36.03	2.77	35.69	2.80	34.64	2.85	
	60	56		37.94	2.58	37.45	2.63	36.99	2.68	36.67	2.70	36.42	2.72	35.49	2.76	
	63	59		38.05	2.57	37.64	2.61	37.31	2.65	37.06	2.66	36.85	2.67	36.00	2.70	
	68	64		38.16	2.55	37.83	2.58	37.64	2.61	37.45	2.62	37.29	2.63	36.51	2.65	
	7 + 12 + 24*	7 + 12 + 24*		-4	-4.4	7.85	2.04	7.50	2.12	7.16	2.14	7.11	2.16	7.06	2.17	6.72
	0		-0.4	11.39	2.07	10.63	2.15	10.52	2.19	10.38	2.20	10.27	2.22	9.83	2.30	
	5		4.5	15.60	2.12	14.84	2.19	14.50	2.24	14.28	2.26	14.09	2.28	13.52	2.36	
	10		9	18.42	2.15	17.66	2.23	17.18	2.28	16.88	2.32	16.65	2.34	15.99	2.42	
	17		15	21.52	2.21	20.77	2.28	20.11	2.35	19.75	2.39	19.46	2.42	18.71	2.49	
	20		19	23.40	2.24	22.65	2.31	21.89	2.39	21.49	2.44	21.16	2.47	20.36	2.54	
	25		23	26.54	2.31	25.75	2.37	24.86	2.46	24.38	2.51	24.01	2.55	23.11	2.62	
	30		28	29.70	2.38	28.78	2.46	27.79	2.54	27.28	2.59	26.87	2.64	25.89	2.70	
	35		32	32.86	2.46	31.81	2.55	30.73	2.61	30.18	2.67	29.74	2.72	28.66	2.79	
	40		36	34.53	2.53	33.56	2.62	32.49	2.69	31.93	2.75	31.48	2.79	30.34	2.87	
	45		41	36.63	2.62	35.75	2.71	34.70	2.79	34.12	2.84	33.66	2.88	32.44	2.97	
	47		43	37.47	2.66	36.63	2.74	35.58	2.83	35.00	2.88	34.53	2.92	33.28	3.01	
	50		46	37.58	2.64	36.82	2.72	35.91	2.80	35.39	2.84	34.97	2.87	33.79	2.95	
	55		51	37.76	2.61	37.13	2.68	36.45	2.74	36.03	2.77	35.69	2.80	34.64	2.85	
60	56		37.94	2.58	37.45	2.63	36.99	2.68	36.67	2.70	36.42	2.72	35.49	2.76		
63	59		38.05	2.57	37.64	2.61	37.31	2.65	37.06	2.66	36.85	2.67	36.00	2.70		
68	64		38.16	2.55	37.83	2.58	37.64	2.61	37.45	2.62	37.29	2.63	36.51	2.65		

TC = Total Capacity (kBtu/h).

PI = Power Input (kW).

Nominal capacity as rated: 0 ft. above sea level with 25 ft. of refrigerant piping.
0 ft. level difference between outdoor and indoor units.

Nominal heating capacity rating obtained with air entering the indoor unit at 70°F dry bulb (DB) and 60°F wet bulb (WB), and outdoor ambient conditions of 47°F dry bulb (DB) and 43°F wet bulb (WB).

*The indoor unit must be non-ducted type.



Table 258: LMU36CHV Heating Capacity Table — Mixed Indoor Units (continued).

Connected Indoor Units	Combination Capacity Index	Outdoor Air Temp.		Indoor Air Temp. °F DB											
		°F DB	°F WB	61		64		68		70		72		75	
				TC	PI	TC	PI	TC	PI	TC	PI	TC	PI	TC	PI
Three (3) Mixed Indoor Units	7 + 18 + 18	-4	-4.4	7.85	2.04	7.50	2.12	7.16	2.14	7.11	2.16	7.06	2.17	6.72	2.25
		0	-0.4	11.39	2.07	10.63	2.15	10.52	2.19	10.38	2.20	10.27	2.22	9.83	2.30
		5	4.5	15.60	2.12	14.84	2.19	14.50	2.24	14.28	2.26	14.09	2.28	13.52	2.36
		10	9	18.42	2.15	17.66	2.23	17.18	2.28	16.88	2.32	16.65	2.34	15.99	2.42
		17	15	21.52	2.21	20.77	2.28	20.11	2.35	19.75	2.39	19.46	2.42	18.71	2.49
		20	19	23.40	2.24	22.65	2.31	21.89	2.39	21.49	2.44	21.16	2.47	20.36	2.54
		25	23	26.54	2.31	25.75	2.37	24.86	2.46	24.38	2.51	24.01	2.55	23.11	2.62
		30	28	29.70	2.38	28.78	2.46	27.79	2.54	27.28	2.59	26.87	2.64	25.89	2.70
		35	32	32.86	2.46	31.81	2.55	30.73	2.61	30.18	2.67	29.74	2.72	28.66	2.79
		40	36	34.53	2.53	33.56	2.62	32.49	2.69	31.93	2.75	31.48	2.79	30.34	2.87
		45	41	36.63	2.62	35.75	2.71	34.70	2.79	34.12	2.84	33.66	2.88	32.44	2.97
		47	43	37.47	2.66	36.63	2.74	35.58	2.83	35.00	2.88	34.53	2.92	33.28	3.01
		50	46	37.58	2.64	36.82	2.72	35.91	2.80	35.39	2.84	34.97	2.87	33.79	2.95
		55	51	37.76	2.61	37.13	2.68	36.45	2.74	36.03	2.77	35.69	2.80	34.64	2.85
		60	56	37.94	2.58	37.45	2.63	36.99	2.68	36.67	2.70	36.42	2.72	35.49	2.76
		63	59	38.05	2.57	37.64	2.61	37.31	2.65	37.06	2.66	36.85	2.67	36.00	2.70
		68	64	38.16	2.55	37.83	2.58	37.64	2.61	37.45	2.62	37.29	2.63	36.51	2.65
		9 + 12 + 24*	-4	-4.4	7.85	2.04	7.50	2.12	7.16	2.14	7.11	2.16	7.06	2.17	6.72
	0		-0.4	11.39	2.07	10.63	2.15	10.52	2.19	10.38	2.20	10.27	2.22	9.83	2.30
	5		4.5	15.60	2.12	14.84	2.19	14.50	2.24	14.28	2.26	14.09	2.28	13.52	2.36
	10		9	18.42	2.15	17.66	2.23	17.18	2.28	16.88	2.32	16.65	2.34	15.99	2.42
	17		15	21.52	2.21	20.77	2.28	20.11	2.35	19.75	2.39	19.46	2.42	18.71	2.49
	20		19	23.40	2.24	22.65	2.31	21.89	2.39	21.49	2.44	21.16	2.47	20.36	2.54
	25		23	26.54	2.31	25.75	2.37	24.86	2.46	24.38	2.51	24.01	2.55	23.11	2.62
	30		28	29.70	2.38	28.78	2.46	27.79	2.54	27.28	2.59	26.87	2.64	25.89	2.70
	35		32	32.86	2.46	31.81	2.55	30.73	2.61	30.18	2.67	29.74	2.72	28.66	2.79
	40		36	34.53	2.53	33.56	2.62	32.49	2.69	31.93	2.75	31.48	2.79	30.34	2.87
	45		41	36.63	2.62	35.75	2.71	34.70	2.79	34.12	2.84	33.66	2.88	32.44	2.97
	47		43	37.47	2.66	36.63	2.74	35.58	2.83	35.00	2.88	34.53	2.92	33.28	3.01
	50		46	37.58	2.64	36.82	2.72	35.91	2.80	35.39	2.84	34.97	2.87	33.79	2.95
	55		51	37.76	2.61	37.13	2.68	36.45	2.74	36.03	2.77	35.69	2.80	34.64	2.85
	60		56	37.94	2.58	37.45	2.63	36.99	2.68	36.67	2.70	36.42	2.72	35.49	2.76
	63		59	38.05	2.57	37.64	2.61	37.31	2.65	37.06	2.66	36.85	2.67	36.00	2.70
	68		64	38.16	2.55	37.83	2.58	37.64	2.61	37.45	2.62	37.29	2.63	36.51	2.65
	9 + 18 + 18		-4	-4.4	7.85	2.04	7.50	2.12	7.16	2.14	7.11	2.16	7.06	2.17	6.72
		0	-0.4	11.39	2.07	10.63	2.15	10.52	2.19	10.38	2.20	10.27	2.22	9.83	2.30
		5	4.5	15.60	2.12	14.84	2.19	14.50	2.24	14.28	2.26	14.09	2.28	13.52	2.36
		10	9	18.42	2.15	17.66	2.23	17.18	2.28	16.88	2.32	16.65	2.34	15.99	2.42
		17	15	21.52	2.21	20.77	2.28	20.11	2.35	19.75	2.39	19.46	2.42	18.71	2.49
		20	19	23.40	2.24	22.65	2.31	21.89	2.39	21.49	2.44	21.16	2.47	20.36	2.54
		25	23	26.54	2.31	25.75	2.37	24.86	2.46	24.38	2.51	24.01	2.55	23.11	2.62
		30	28	29.70	2.38	28.78	2.46	27.79	2.54	27.28	2.59	26.87	2.64	25.89	2.70
		35	32	32.86	2.46	31.81	2.55	30.73	2.61	30.18	2.67	29.74	2.72	28.66	2.79
		40	36	34.53	2.53	33.56	2.62	32.49	2.69	31.93	2.75	31.48	2.79	30.34	2.87
		45	41	36.63	2.62	35.75	2.71	34.70	2.79	34.12	2.84	33.66	2.88	32.44	2.97
		47	43	37.47	2.66	36.63	2.74	35.58	2.83	35.00	2.88	34.53	2.92	33.28	3.01
		50	46	37.58	2.64	36.82	2.72	35.91	2.80	35.39	2.84	34.97	2.87	33.79	2.95
		55	51	37.76	2.61	37.13	2.68	36.45	2.74	36.03	2.77	35.69	2.80	34.64	2.85
60		56	37.94	2.58	37.45	2.63	36.99	2.68	36.67	2.70	36.42	2.72	35.49	2.76	
63		59	38.05	2.57	37.64	2.61	37.31	2.65	37.06	2.66	36.85	2.67	36.00	2.70	
68		64	38.16	2.55	37.83	2.58	37.64	2.61	37.45	2.62	37.29	2.63	36.51	2.65	

TC = Total Capacity (kBtu/h).

PI = Power Input (kW).

Nominal capacity as rated: 0 ft. above sea level with 25 ft. of refrigerant piping.
0 ft. level difference between outdoor and indoor units.

Nominal heating capacity rating obtained with air entering the indoor unit at 70°F dry bulb (DB) and 60°F wet bulb (WB), and outdoor ambient conditions of 47°F dry bulb (DB) and 43°F wet bulb (WB).

*The indoor unit must be non-ducted type.

PERFORMANCE DATA

Heating Capacity Tables

MULTI F
MULTI F MAX

Table 259: LMU36CHV Heating Capacity Table — Mixed Indoor Units (continued).

Connected Indoor Units	Combination Capacity Index	Outdoor Air Temp.		Indoor Air Temp. °F DB												
		°F DB	°F WB	61		64		68		70		72		75		
				TC	PI	TC	PI	TC	PI	TC	PI	TC	PI	TC	PI	
Three (3) Mixed Indoor Units	12 + 15 + 18	-4	-4.4	7.85	2.04	7.50	2.12	7.16	2.14	7.11	2.16	7.06	2.17	6.72	2.25	
		0	-0.4	11.39	2.07	10.63	2.15	10.52	2.19	10.38	2.20	10.27	2.22	9.83	2.30	
		5	4.5	15.60	2.12	14.84	2.19	14.50	2.24	14.28	2.26	14.09	2.28	13.52	2.36	
		10	9	18.42	2.15	17.66	2.23	17.18	2.28	16.88	2.32	16.65	2.34	15.99	2.42	
		17	15	21.52	2.21	20.77	2.28	20.11	2.35	19.75	2.39	19.46	2.42	18.71	2.49	
		20	19	23.40	2.24	22.65	2.31	21.89	2.39	21.49	2.44	21.16	2.47	20.36	2.54	
		25	23	26.54	2.31	25.75	2.37	24.86	2.46	24.38	2.51	24.01	2.55	23.11	2.62	
		30	28	29.70	2.38	28.78	2.46	27.79	2.54	27.28	2.59	26.87	2.64	25.89	2.70	
		35	32	32.86	2.46	31.81	2.55	30.73	2.61	30.18	2.67	29.74	2.72	28.66	2.79	
		40	36	34.53	2.53	33.56	2.62	32.49	2.69	31.93	2.75	31.48	2.79	30.34	2.87	
		45	41	36.63	2.62	35.75	2.71	34.70	2.79	34.12	2.84	33.66	2.88	32.44	2.97	
		47	43	37.47	2.66	36.63	2.74	35.58	2.83	35.00	2.88	34.53	2.92	33.28	3.01	
		50	46	37.58	2.64	36.82	2.72	35.91	2.80	35.39	2.84	34.97	2.87	33.79	2.95	
		55	51	37.76	2.61	37.13	2.68	36.45	2.74	36.03	2.77	35.69	2.80	34.64	2.85	
		60	56	37.94	2.58	37.45	2.63	36.99	2.68	36.67	2.70	36.42	2.72	35.49	2.76	
		63	59	38.05	2.57	37.64	2.61	37.31	2.65	37.06	2.66	36.85	2.67	36.00	2.70	
		68	64	38.16	2.55	37.83	2.58	37.64	2.61	37.45	2.62	37.29	2.63	36.51	2.65	
		7 + 15 + 24*	7 + 15 + 24*	-4	-4.4	7.85	2.04	7.50	2.12	7.16	2.14	7.11	2.16	7.06	2.17	6.72
	0	-0.4		11.39	2.07	10.63	2.15	10.52	2.19	10.38	2.20	10.27	2.22	9.83	2.30	
	5	4.5		15.60	2.12	14.84	2.19	14.50	2.24	14.28	2.26	14.09	2.28	13.52	2.36	
	10	9		18.42	2.15	17.66	2.23	17.18	2.28	16.88	2.32	16.65	2.34	15.99	2.42	
	17	15		21.52	2.21	20.77	2.28	20.11	2.35	19.75	2.39	19.46	2.42	18.71	2.49	
	20	19		23.40	2.24	22.65	2.31	21.89	2.39	21.49	2.44	21.16	2.47	20.36	2.54	
	25	23		26.54	2.31	25.75	2.37	24.86	2.46	24.38	2.51	24.01	2.55	23.11	2.62	
	30	28		29.70	2.38	28.78	2.46	27.79	2.54	27.28	2.59	26.87	2.64	25.89	2.70	
	35	32		32.86	2.46	31.81	2.55	30.73	2.61	30.18	2.67	29.74	2.72	28.66	2.79	
	40	36		34.53	2.53	33.56	2.62	32.49	2.69	31.93	2.75	31.48	2.79	30.34	2.87	
	45	41		36.63	2.62	35.75	2.71	34.70	2.79	34.12	2.84	33.66	2.88	32.44	2.97	
	47	43		37.47	2.66	36.63	2.74	35.58	2.83	35.00	2.88	34.53	2.92	33.28	3.01	
	50	46		37.58	2.64	36.82	2.72	35.91	2.80	35.39	2.84	34.97	2.87	33.79	2.95	
	55	51		37.76	2.61	37.13	2.68	36.45	2.74	36.03	2.77	35.69	2.80	34.64	2.85	
	60	56		37.94	2.58	37.45	2.63	36.99	2.68	36.67	2.70	36.42	2.72	35.49	2.76	
	63	59		38.05	2.57	37.64	2.61	37.31	2.65	37.06	2.66	36.85	2.67	36.00	2.70	
	68	64		38.16	2.55	37.83	2.58	37.64	2.61	37.45	2.62	37.29	2.63	36.51	2.65	
	9 + 15 + 24*	9 + 15 + 24*		-4	-4.4	7.85	2.04	7.50	2.12	7.16	2.14	7.11	2.16	7.06	2.17	6.72
	0		-0.4	11.39	2.07	10.63	2.15	10.52	2.19	10.38	2.20	10.27	2.22	9.83	2.30	
	5		4.5	15.60	2.12	14.84	2.19	14.50	2.24	14.28	2.26	14.09	2.28	13.52	2.36	
	10		9	18.42	2.15	17.66	2.23	17.18	2.28	16.88	2.32	16.65	2.34	15.99	2.42	
	17		15	21.52	2.21	20.77	2.28	20.11	2.35	19.75	2.39	19.46	2.42	18.71	2.49	
	20		19	23.40	2.24	22.65	2.31	21.89	2.39	21.49	2.44	21.16	2.47	20.36	2.54	
	25		23	26.54	2.31	25.75	2.37	24.86	2.46	24.38	2.51	24.01	2.55	23.11	2.62	
	30		28	29.70	2.38	28.78	2.46	27.79	2.54	27.28	2.59	26.87	2.64	25.89	2.70	
	35		32	32.86	2.46	31.81	2.55	30.73	2.61	30.18	2.67	29.74	2.72	28.66	2.79	
	40		36	34.53	2.53	33.56	2.62	32.49	2.69	31.93	2.75	31.48	2.79	30.34	2.87	
	45		41	36.63	2.62	35.75	2.71	34.70	2.79	34.12	2.84	33.66	2.88	32.44	2.97	
	47		43	37.47	2.66	36.63	2.74	35.58	2.83	35.00	2.88	34.53	2.92	33.28	3.01	
	50		46	37.58	2.64	36.82	2.72	35.91	2.80	35.39	2.84	34.97	2.87	33.79	2.95	
	55		51	37.76	2.61	37.13	2.68	36.45	2.74	36.03	2.77	35.69	2.80	34.64	2.85	
60	56		37.94	2.58	37.45	2.63	36.99	2.68	36.67	2.70	36.42	2.72	35.49	2.76		
63	59		38.05	2.57	37.64	2.61	37.31	2.65	37.06	2.66	36.85	2.67	36.00	2.70		
68	64		38.16	2.55	37.83	2.58	37.64	2.61	37.45	2.62	37.29	2.63	36.51	2.65		

TC = Total Capacity (kBtu/h).

PI = Power Input (kW).

Nominal capacity as rated: 0 ft. above sea level with 25 ft. of refrigerant piping.
0 ft. level difference between outdoor and indoor units.

Nominal heating capacity rating obtained with air entering the indoor unit at 70°F dry bulb (DB) and 60°F wet bulb (WB), and outdoor ambient conditions of 47°F dry bulb (DB) and 43°F wet bulb (WB).

*The indoor unit must be non-ducted type.

Multi F and Multi F MAX Heat Pump System Engineering Manual

Table 260: LMU36CHV Heating Capacity Table — Mixed Indoor Units (continued).

Connected Indoor Units	Combination Capacity Index	Outdoor Air Temp.		Indoor Air Temp. °F DB											
		°F DB	°F WB	61		64		68		70		72		75	
				TC	PI	TC	PI	TC	PI	TC	PI	TC	PI	TC	PI
Three (3) Mixed Indoor Units	12 + 12 + 24*	-4	-4.4	7.85	2.04	7.50	2.12	7.16	2.14	7.11	2.16	7.06	2.17	6.72	2.25
		0	-0.4	11.39	2.07	10.63	2.15	10.52	2.19	10.38	2.20	10.27	2.22	9.83	2.30
		5	4.5	15.60	2.12	14.84	2.19	14.50	2.24	14.28	2.26	14.09	2.28	13.52	2.36
		10	9	18.42	2.15	17.66	2.23	17.18	2.28	16.88	2.32	16.65	2.34	15.99	2.42
		17	15	21.52	2.21	20.77	2.28	20.11	2.35	19.75	2.39	19.46	2.42	18.71	2.49
		20	19	23.40	2.24	22.65	2.31	21.89	2.39	21.49	2.44	21.16	2.47	20.36	2.54
		25	23	26.54	2.31	25.75	2.37	24.86	2.46	24.38	2.51	24.01	2.55	23.11	2.62
		30	28	29.70	2.38	28.78	2.46	27.79	2.54	27.28	2.59	26.87	2.64	25.89	2.70
		35	32	32.86	2.46	31.81	2.55	30.73	2.61	30.18	2.67	29.74	2.72	28.66	2.79
		40	36	34.53	2.53	33.56	2.62	32.49	2.69	31.93	2.75	31.48	2.79	30.34	2.87
		45	41	36.63	2.62	35.75	2.71	34.70	2.79	34.12	2.84	33.66	2.88	32.44	2.97
		47	43	37.47	2.66	36.63	2.74	35.58	2.83	35.00	2.88	34.53	2.92	33.28	3.01
		50	46	37.58	2.64	36.82	2.72	35.91	2.80	35.39	2.84	34.97	2.87	33.79	2.95
		55	51	37.76	2.61	37.13	2.68	36.45	2.74	36.03	2.77	35.69	2.80	34.64	2.85
		60	56	37.94	2.58	37.45	2.63	36.99	2.68	36.67	2.70	36.42	2.72	35.49	2.76
		63	59	38.05	2.57	37.64	2.61	37.31	2.65	37.06	2.66	36.85	2.67	36.00	2.70
		68	64	38.16	2.55	37.83	2.58	37.64	2.61	37.45	2.62	37.29	2.63	36.51	2.65
		12 + 18 + 18	-4	-4.4	7.85	2.04	7.50	2.12	7.16	2.14	7.11	2.16	7.06	2.17	6.72
	0		-0.4	11.39	2.07	10.63	2.15	10.52	2.19	10.38	2.20	10.27	2.22	9.83	2.30
	5		4.5	15.60	2.12	14.84	2.19	14.50	2.24	14.28	2.26	14.09	2.28	13.52	2.36
	10		9	18.42	2.15	17.66	2.23	17.18	2.28	16.88	2.32	16.65	2.34	15.99	2.42
	17		15	21.52	2.21	20.77	2.28	20.11	2.35	19.75	2.39	19.46	2.42	18.71	2.49
	20		19	23.40	2.24	22.65	2.31	21.89	2.39	21.49	2.44	21.16	2.47	20.36	2.54
	25		23	26.54	2.31	25.75	2.37	24.86	2.46	24.38	2.51	24.01	2.55	23.11	2.62
	30		28	29.70	2.38	28.78	2.46	27.79	2.54	27.28	2.59	26.87	2.64	25.89	2.70
	35		32	32.86	2.46	31.81	2.55	30.73	2.61	30.18	2.67	29.74	2.72	28.66	2.79
	40		36	34.53	2.53	33.56	2.62	32.49	2.69	31.93	2.75	31.48	2.79	30.34	2.87
	45		41	36.63	2.62	35.75	2.71	34.70	2.79	34.12	2.84	33.66	2.88	32.44	2.97
	47		43	37.47	2.66	36.63	2.74	35.58	2.83	35.00	2.88	34.53	2.92	33.28	3.01
	50		46	37.58	2.64	36.82	2.72	35.91	2.80	35.39	2.84	34.97	2.87	33.79	2.95
	55		51	37.76	2.61	37.13	2.68	36.45	2.74	36.03	2.77	35.69	2.80	34.64	2.85
	60		56	37.94	2.58	37.45	2.63	36.99	2.68	36.67	2.70	36.42	2.72	35.49	2.76
	63		59	38.05	2.57	37.64	2.61	37.31	2.65	37.06	2.66	36.85	2.67	36.00	2.70
	68		64	38.16	2.55	37.83	2.58	37.64	2.61	37.45	2.62	37.29	2.63	36.51	2.65
	15 + 15 + 18		-4	-4.4	7.85	2.04	7.50	2.12	7.16	2.14	7.11	2.16	7.06	2.17	6.72
		0	-0.4	11.39	2.07	10.63	2.15	10.52	2.19	10.38	2.20	10.27	2.22	9.83	2.30
		5	4.5	15.60	2.12	14.84	2.19	14.50	2.24	14.28	2.26	14.09	2.28	13.52	2.36
		10	9	18.42	2.15	17.66	2.23	17.18	2.28	16.88	2.32	16.65	2.34	15.99	2.42
		17	15	21.52	2.21	20.77	2.28	20.11	2.35	19.75	2.39	19.46	2.42	18.71	2.49
		20	19	23.40	2.24	22.65	2.31	21.89	2.39	21.49	2.44	21.16	2.47	20.36	2.54
		25	23	26.54	2.31	25.75	2.37	24.86	2.46	24.38	2.51	24.01	2.55	23.11	2.62
		30	28	29.70	2.38	28.78	2.46	27.79	2.54	27.28	2.59	26.87	2.64	25.89	2.70
		35	32	32.86	2.46	31.81	2.55	30.73	2.61	30.18	2.67	29.74	2.72	28.66	2.79
		40	36	34.53	2.53	33.56	2.62	32.49	2.69	31.93	2.75	31.48	2.79	30.34	2.87
		45	41	36.63	2.62	35.75	2.71	34.70	2.79	34.12	2.84	33.66	2.88	32.44	2.97
		47	43	37.47	2.66	36.63	2.74	35.58	2.83	35.00	2.88	34.53	2.92	33.28	3.01
		50	46	37.58	2.64	36.82	2.72	35.91	2.80	35.39	2.84	34.97	2.87	33.79	2.95
		55	51	37.76	2.61	37.13	2.68	36.45	2.74	36.03	2.77	35.69	2.80	34.64	2.85
60		56	37.94	2.58	37.45	2.63	36.99	2.68	36.67	2.70	36.42	2.72	35.49	2.76	
63		59	38.05	2.57	37.64	2.61	37.31	2.65	37.06	2.66	36.85	2.67	36.00	2.70	
68		64	38.16	2.55	37.83	2.58	37.64	2.61	37.45	2.62	37.29	2.63	36.51	2.65	

TC = Total Capacity (kBtu/h).

PI = Power Input (kW).

Nominal capacity as rated: 0 ft. above sea level with 25 ft. of refrigerant piping.
0 ft. level difference between outdoor and indoor units.

Nominal heating capacity rating obtained with air entering the indoor unit at 70°F dry bulb (DB) and 60°F wet bulb (WB), and outdoor ambient conditions of 47°F dry bulb (DB) and 43°F wet bulb (WB).

*The indoor unit must be non-ducted type.

PERFORMANCE DATA

Heating Capacity Tables

MULTI F
MULTI F MAX

Table 261: LMU36CHV Heating Capacity Table — Mixed Indoor Units (continued).

Connected Indoor Units	Combination Capacity Index	Outdoor Air Temp.		Indoor Air Temp. °F DB											
		°F DB	°F WB	61		64		68		70		72		75	
				TC	PI	TC	PI	TC	PI	TC	PI	TC	PI	TC	PI
Four (4) Mixed Indoor Units	7 + 7 + 7 + 9	-4	-4.4	7.19	1.94	6.88	2.02	6.56	2.04	6.51	2.05	6.47	2.06	6.16	2.14
		0	-0.4	10.44	1.97	9.74	2.05	9.64	2.08	9.52	2.10	9.42	2.11	9.01	2.19
		5	4.5	14.30	2.01	13.60	2.08	13.29	2.13	13.08	2.15	12.92	2.17	12.39	2.24
		10	9	16.88	2.05	16.19	2.12	15.74	2.17	15.47	2.20	15.26	2.23	14.66	2.30
		17	15	19.72	2.10	19.04	2.17	18.44	2.23	18.10	2.27	17.84	2.30	17.15	2.37
		20	19	21.44	2.13	20.76	2.20	20.07	2.27	19.70	2.32	19.40	2.35	18.66	2.42
		25	23	24.32	2.20	23.60	2.26	22.78	2.34	22.35	2.39	22.01	2.43	21.18	2.49
		30	28	27.22	2.27	26.38	2.34	25.47	2.41	25.01	2.47	24.63	2.51	23.73	2.57
		35	32	30.12	2.34	29.16	2.42	28.17	2.48	27.66	2.54	27.26	2.59	26.27	2.65
		40	36	31.65	2.41	30.76	2.49	29.78	2.56	29.27	2.61	28.85	2.66	27.81	2.73
		45	41	33.57	2.49	32.77	2.58	31.80	2.66	31.28	2.70	30.85	2.74	29.73	2.82
		47	43	34.34	2.53	33.57	2.61	32.61	2.69	32.08	2.74	31.65	2.78	30.50	2.86
		50	46	34.44	2.51	33.75	2.59	32.91	2.66	32.43	2.70	32.05	2.73	30.97	2.81
		55	51	34.61	2.48	34.03	2.55	33.41	2.61	33.02	2.64	32.72	2.66	31.75	2.72
		60	56	34.78	2.46	34.32	2.51	33.90	2.55	33.61	2.57	33.38	2.59	32.53	2.63
		63	59	34.88	2.44	34.50	2.48	34.20	2.52	33.97	2.53	33.78	2.54	32.99	2.57
		68	64	34.98	2.43	34.67	2.46	34.50	2.49	34.32	2.49	34.18	2.50	33.47	2.52
		0	-4.4	7.67	1.97	7.34	2.05	7.00	2.08	6.95	2.09	6.90	2.10	6.57	2.18
	5	4.5	15.25	2.05	14.51	2.12	14.18	2.17	13.96	2.19	13.78	2.21	13.22	2.29	
	10	9	18.01	2.09	17.27	2.16	16.79	2.21	16.51	2.24	16.28	2.27	15.63	2.34	
	17	15	21.04	2.14	20.31	2.21	19.67	2.27	19.31	2.31	19.03	2.34	18.29	2.41	
	20	19	22.87	2.17	22.15	2.24	21.41	2.32	21.01	2.36	20.69	2.39	19.91	2.46	
	25	23	25.95	2.24	25.18	2.30	24.30	2.39	23.84	2.44	23.47	2.47	22.59	2.54	
	30	28	29.04	2.31	28.14	2.38	27.17	2.46	26.67	2.51	26.27	2.56	25.31	2.62	
	35	32	32.13	2.38	31.10	2.47	30.05	2.53	29.51	2.59	29.07	2.64	28.02	2.70	
	40	36	33.77	2.45	32.82	2.54	31.77	2.61	31.22	2.66	30.78	2.71	29.66	2.78	
	45	41	35.81	2.54	34.96	2.62	33.93	2.70	33.36	2.75	32.91	2.79	31.72	2.87	
	47	43	36.63	2.57	35.81	2.66	34.79	2.74	34.22	2.79	33.77	2.83	32.54	2.91	
	50	46	36.74	2.56	36.00	2.63	35.11	2.71	34.60	2.75	34.19	2.78	33.04	2.86	
	55	51	36.92	2.53	36.31	2.59	35.63	2.65	35.23	2.68	34.90	2.71	33.87	2.77	
	60	56	37.10	2.50	36.61	2.55	36.16	2.60	35.85	2.62	35.61	2.63	34.70	2.67	
	63	59	37.20	2.49	36.80	2.53	36.48	2.56	36.23	2.58	36.03	2.59	35.19	2.62	
	68	64	37.31	2.47	36.98	2.50	36.80	2.53	36.61	2.54	36.46	2.54	35.70	2.56	
	0	-4.4	7.85	1.97	7.50	2.05	7.16	2.08	7.11	2.09	7.06	2.10	6.72	2.18	
	5	4.5	15.60	2.05	14.84	2.12	14.50	2.17	14.28	2.19	14.09	2.21	13.52	2.29	
	10	9	18.42	2.09	17.66	2.16	17.18	2.21	16.88	2.24	16.65	2.27	15.99	2.34	
	17	15	21.52	2.14	20.77	2.21	20.11	2.27	19.75	2.31	19.46	2.34	18.71	2.41	
	20	19	23.40	2.17	22.65	2.24	21.89	2.32	21.49	2.36	21.16	2.39	20.36	2.46	
	25	23	26.54	2.24	25.75	2.30	24.86	2.39	24.38	2.44	24.01	2.47	23.11	2.54	
	30	28	29.70	2.31	28.78	2.38	27.79	2.46	27.28	2.51	26.87	2.56	25.89	2.62	
	35	32	32.86	2.38	31.81	2.47	30.73	2.53	30.18	2.59	29.74	2.64	28.66	2.70	
	40	36	34.53	2.45	33.56	2.54	32.49	2.61	31.93	2.66	31.48	2.71	30.34	2.78	
	45	41	36.63	2.54	35.75	2.62	34.70	2.70	34.12	2.75	33.66	2.79	32.44	2.87	
	47	43	37.47	2.57	36.63	2.66	35.58	2.74	35.00	2.79	34.53	2.83	33.28	2.91	
	50	46	37.58	2.56	36.82	2.63	35.91	2.71	35.39	2.75	34.97	2.78	33.79	2.86	
	55	51	37.76	2.53	37.13	2.59	36.45	2.65	36.03	2.68	35.69	2.71	34.64	2.77	
	60	56	37.94	2.50	37.45	2.55	36.99	2.60	36.67	2.62	36.42	2.63	35.49	2.67	
	63	59	38.05	2.49	37.64	2.53	37.31	2.56	37.06	2.58	36.85	2.59	36.00	2.62	
68	64	38.16	2.47	37.83	2.50	37.64	2.53	37.45	2.54	37.29	2.54	36.51	2.56		

TC = Total Capacity (kBtu/h).

PI = Power Input (kW).

Nominal capacity as rated: 0 ft. above sea level with 25 ft. of refrigerant piping.

0 ft. level difference between outdoor and indoor units.

Nominal heating capacity rating obtained with air entering the indoor unit at 70°F dry bulb (DB) and 60°F wet bulb (WB), and outdoor ambient conditions of 47°F dry bulb (DB) and 43°F wet bulb (WB).

Multi F and Multi F MAX Heat Pump System Engineering Manual

Table 262: LMU36CHV Heating Capacity Table — Mixed Indoor Units (continued).

Connected Indoor Units	Combination Capacity Index	Outdoor Air Temp.		Indoor Air Temp. °F DB											
		°F DB	°F WB	61		64		68		70		72		75	
				TC	PI	TC	PI	TC	PI	TC	PI	TC	PI	TC	PI
Four (4) Mixed Indoor Units	7 + 9 + 9 + 9	-4	-4.4	7.85	1.97	7.50	2.05	7.16	2.08	7.11	2.09	7.06	2.10	6.72	2.18
		0	-0.4	11.39	2.01	10.63	2.08	10.52	2.12	10.38	2.14	10.27	2.15	9.83	2.23
		5	4.5	15.60	2.05	14.84	2.12	14.50	2.17	14.28	2.19	14.09	2.21	13.52	2.29
		10	9	18.42	2.09	17.66	2.16	17.18	2.21	16.88	2.24	16.65	2.27	15.99	2.34
		17	15	21.52	2.14	20.77	2.21	20.11	2.27	19.75	2.31	19.46	2.34	18.71	2.41
		20	19	23.40	2.17	22.65	2.24	21.89	2.32	21.49	2.36	21.16	2.39	20.36	2.46
		25	23	26.54	2.24	25.75	2.30	24.86	2.39	24.38	2.44	24.01	2.47	23.11	2.54
		30	28	29.70	2.31	28.78	2.38	27.79	2.46	27.28	2.51	26.87	2.56	25.89	2.62
		35	32	32.86	2.38	31.81	2.47	30.73	2.53	30.18	2.59	29.74	2.64	28.66	2.70
		40	36	34.53	2.45	33.56	2.54	32.49	2.61	31.93	2.66	31.48	2.71	30.34	2.78
		45	41	36.63	2.54	35.75	2.62	34.70	2.70	34.12	2.75	33.66	2.79	32.44	2.87
		47	43	37.47	2.57	36.63	2.66	35.58	2.74	35.00	2.79	34.53	2.83	33.28	2.91
		50	46	37.58	2.56	36.82	2.63	35.91	2.71	35.39	2.75	34.97	2.78	33.79	2.86
		55	51	37.76	2.53	37.13	2.59	36.45	2.65	36.03	2.68	35.69	2.71	34.64	2.77
		60	56	37.94	2.50	37.45	2.55	36.99	2.60	36.67	2.62	36.42	2.63	35.49	2.67
		63	59	38.05	2.49	37.64	2.53	37.31	2.56	37.06	2.58	36.85	2.59	36.00	2.62
		68	64	38.16	2.47	37.83	2.50	37.64	2.53	37.45	2.54	37.29	2.54	36.51	2.56
		7 + 7 + 9 + 12	-4	-4.4	7.85	1.97	7.50	2.05	7.16	2.08	7.11	2.09	7.06	2.10	6.72
	0		-0.4	11.39	2.01	10.63	2.08	10.52	2.12	10.38	2.14	10.27	2.15	9.83	2.23
	5		4.5	15.60	2.05	14.84	2.12	14.50	2.17	14.28	2.19	14.09	2.21	13.52	2.29
	10		9	18.42	2.09	17.66	2.16	17.18	2.21	16.88	2.24	16.65	2.27	15.99	2.34
	17		15	21.52	2.14	20.77	2.21	20.11	2.27	19.75	2.31	19.46	2.34	18.71	2.41
	20		19	23.40	2.17	22.65	2.24	21.89	2.32	21.49	2.36	21.16	2.39	20.36	2.46
	25		23	26.54	2.24	25.75	2.30	24.86	2.39	24.38	2.44	24.01	2.47	23.11	2.54
	30		28	29.70	2.31	28.78	2.38	27.79	2.46	27.28	2.51	26.87	2.56	25.89	2.62
	35		32	32.86	2.38	31.81	2.47	30.73	2.53	30.18	2.59	29.74	2.64	28.66	2.70
	40		36	34.53	2.45	33.56	2.54	32.49	2.61	31.93	2.66	31.48	2.71	30.34	2.78
	45		41	36.63	2.54	35.75	2.62	34.70	2.70	34.12	2.75	33.66	2.79	32.44	2.87
	47		43	37.47	2.57	36.63	2.66	35.58	2.74	35.00	2.79	34.53	2.83	33.28	2.91
	50		46	37.58	2.56	36.82	2.63	35.91	2.71	35.39	2.75	34.97	2.78	33.79	2.86
	55		51	37.76	2.53	37.13	2.59	36.45	2.65	36.03	2.68	35.69	2.71	34.64	2.77
	60		56	37.94	2.50	37.45	2.55	36.99	2.60	36.67	2.62	36.42	2.63	35.49	2.67
	63		59	38.05	2.49	37.64	2.53	37.31	2.56	37.06	2.58	36.85	2.59	36.00	2.62
	68		64	38.16	2.47	37.83	2.50	37.64	2.53	37.45	2.54	37.29	2.54	36.51	2.56
	9 + 9 + 9 + 9		-4	-4.4	7.85	1.97	7.50	2.05	7.16	2.08	7.11	2.09	7.06	2.10	6.72
		0	-0.4	11.39	2.01	10.63	2.08	10.52	2.12	10.38	2.14	10.27	2.15	9.83	2.23
		5	4.5	15.60	2.05	14.84	2.12	14.50	2.17	14.28	2.19	14.09	2.21	13.52	2.29
		10	9	18.42	2.09	17.66	2.16	17.18	2.21	16.88	2.24	16.65	2.27	15.99	2.34
		17	15	21.52	2.14	20.77	2.21	20.11	2.27	19.75	2.31	19.46	2.34	18.71	2.41
		20	19	23.40	2.17	22.65	2.24	21.89	2.32	21.49	2.36	21.16	2.39	20.36	2.46
		25	23	26.54	2.24	25.75	2.30	24.86	2.39	24.38	2.44	24.01	2.47	23.11	2.54
		30	28	29.70	2.31	28.78	2.38	27.79	2.46	27.28	2.51	26.87	2.56	25.89	2.62
		35	32	32.86	2.38	31.81	2.47	30.73	2.53	30.18	2.59	29.74	2.64	28.66	2.70
		40	36	34.53	2.45	33.56	2.54	32.49	2.61	31.93	2.66	31.48	2.71	30.34	2.78
		45	41	36.63	2.54	35.75	2.62	34.70	2.70	34.12	2.75	33.66	2.79	32.44	2.87
		47	43	37.47	2.57	36.63	2.66	35.58	2.74	35.00	2.79	34.53	2.83	33.28	2.91
		50	46	37.58	2.56	36.82	2.63	35.91	2.71	35.39	2.75	34.97	2.78	33.79	2.86
		55	51	37.76	2.53	37.13	2.59	36.45	2.65	36.03	2.68	35.69	2.71	34.64	2.77
60		56	37.94	2.50	37.45	2.55	36.99	2.60	36.67	2.62	36.42	2.63	35.49	2.67	
63		59	38.05	2.49	37.64	2.53	37.31	2.56	37.06	2.58	36.85	2.59	36.00	2.62	
68		64	38.16	2.47	37.83	2.50	37.64	2.53	37.45	2.54	37.29	2.54	36.51	2.56	

TC = Total Capacity (kBtu/h).

PI = Power Input (kW).

Nominal capacity as rated: 0 ft. above sea level with 25 ft. of refrigerant piping.
0 ft. level difference between outdoor and indoor units.

Nominal heating capacity rating obtained with air entering the indoor unit at 70°F dry bulb (DB) and 60°F wet bulb (WB), and outdoor ambient conditions of 47°F dry bulb (DB) and 43°F wet bulb (WB).

PERFORMANCE DATA

Heating Capacity Tables

MULTI F
MULTI F MAX

Table 263: LMU36CHV Heating Capacity Table — Mixed Indoor Units (continued).

Connected Indoor Units	Combination Capacity Index	Outdoor Air Temp.		Indoor Air Temp. °F DB												
		°F DB	°F WB	61		64		68		70		72		75		
				TC	PI	TC	PI	TC	PI	TC	PI	TC	PI	TC	PI	
Four (4) Mixed Indoor Units	7 + 9 + 9 + 12	-4	-4.4	7.85	1.97	7.50	2.05	7.16	2.08	7.11	2.09	7.06	2.10	6.72	2.18	
		0	-0.4	11.39	2.01	10.63	2.08	10.52	2.12	10.38	2.14	10.27	2.15	9.83	2.23	
		5	4.5	15.60	2.05	14.84	2.12	14.50	2.17	14.28	2.19	14.09	2.21	13.52	2.29	
		10	9	18.42	2.09	17.66	2.16	17.18	2.21	16.88	2.24	16.65	2.27	15.99	2.34	
		17	15	21.52	2.14	20.77	2.21	20.11	2.27	19.75	2.31	19.46	2.34	18.71	2.41	
		20	19	23.40	2.17	22.65	2.24	21.89	2.32	21.49	2.36	21.16	2.39	20.36	2.46	
		25	23	26.54	2.24	25.75	2.30	24.86	2.39	24.38	2.44	24.01	2.47	23.11	2.54	
		30	28	29.70	2.31	28.78	2.38	27.79	2.46	27.28	2.51	26.87	2.56	25.89	2.62	
		35	32	32.86	2.38	31.81	2.47	30.73	2.53	30.18	2.59	29.74	2.64	28.66	2.70	
		40	36	34.53	2.45	33.56	2.54	32.49	2.61	31.93	2.66	31.48	2.71	30.34	2.78	
		45	41	36.63	2.54	35.75	2.62	34.70	2.70	34.12	2.75	33.66	2.79	32.44	2.87	
		47	43	37.47	2.57	36.63	2.66	35.58	2.74	35.00	2.79	34.53	2.83	33.28	2.91	
		50	46	37.58	2.56	36.82	2.63	35.91	2.71	35.39	2.75	34.97	2.78	33.79	2.86	
		55	51	37.76	2.53	37.13	2.59	36.45	2.65	36.03	2.68	35.69	2.71	34.64	2.77	
		60	56	37.94	2.50	37.45	2.55	36.99	2.60	36.67	2.62	36.42	2.63	35.49	2.67	
		63	59	38.05	2.49	37.64	2.53	37.31	2.56	37.06	2.58	36.85	2.59	36.00	2.62	
		68	64	38.16	2.47	37.83	2.50	37.64	2.53	37.45	2.54	37.29	2.54	36.51	2.56	
		7 + 7 + 9 + 15	7 + 7 + 9 + 15	-4	-4.4	7.85	1.97	7.50	2.05	7.16	2.08	7.11	2.09	7.06	2.10	6.72
	0	-0.4		11.39	2.01	10.63	2.08	10.52	2.12	10.38	2.14	10.27	2.15	9.83	2.23	
	5	4.5		15.60	2.05	14.84	2.12	14.50	2.17	14.28	2.19	14.09	2.21	13.52	2.29	
	10	9		18.42	2.09	17.66	2.16	17.18	2.21	16.88	2.24	16.65	2.27	15.99	2.34	
	17	15		21.52	2.14	20.77	2.21	20.11	2.27	19.75	2.31	19.46	2.34	18.71	2.41	
	20	19		23.40	2.17	22.65	2.24	21.89	2.32	21.49	2.36	21.16	2.39	20.36	2.46	
	25	23		26.54	2.24	25.75	2.30	24.86	2.39	24.38	2.44	24.01	2.47	23.11	2.54	
	30	28		29.70	2.31	28.78	2.38	27.79	2.46	27.28	2.51	26.87	2.56	25.89	2.62	
	35	32		32.86	2.38	31.81	2.47	30.73	2.53	30.18	2.59	29.74	2.64	28.66	2.70	
	40	36		34.53	2.45	33.56	2.54	32.49	2.61	31.93	2.66	31.48	2.71	30.34	2.78	
	45	41		36.63	2.54	35.75	2.62	34.70	2.70	34.12	2.75	33.66	2.79	32.44	2.87	
	47	43		37.47	2.57	36.63	2.66	35.58	2.74	35.00	2.79	34.53	2.83	33.28	2.91	
	50	46		37.58	2.56	36.82	2.63	35.91	2.71	35.39	2.75	34.97	2.78	33.79	2.86	
	55	51		37.76	2.53	37.13	2.59	36.45	2.65	36.03	2.68	35.69	2.71	34.64	2.77	
	60	56		37.94	2.50	37.45	2.55	36.99	2.60	36.67	2.62	36.42	2.63	35.49	2.67	
	63	59		38.05	2.49	37.64	2.53	37.31	2.56	37.06	2.58	36.85	2.59	36.00	2.62	
	68	64		38.16	2.47	37.83	2.50	37.64	2.53	37.45	2.54	37.29	2.54	36.51	2.56	
	7 + 7 + 12 + 12	7 + 7 + 12 + 12		-4	-4.4	7.85	1.97	7.50	2.05	7.16	2.08	7.11	2.09	7.06	2.10	6.72
	0		-0.4	11.39	2.01	10.63	2.08	10.52	2.12	10.38	2.14	10.27	2.15	9.83	2.23	
	5		4.5	15.60	2.05	14.84	2.12	14.50	2.17	14.28	2.19	14.09	2.21	13.52	2.29	
	10		9	18.42	2.09	17.66	2.16	17.18	2.21	16.88	2.24	16.65	2.27	15.99	2.34	
	17		15	21.52	2.14	20.77	2.21	20.11	2.27	19.75	2.31	19.46	2.34	18.71	2.41	
	20		19	23.40	2.17	22.65	2.24	21.89	2.32	21.49	2.36	21.16	2.39	20.36	2.46	
	25		23	26.54	2.24	25.75	2.30	24.86	2.39	24.38	2.44	24.01	2.47	23.11	2.54	
	30		28	29.70	2.31	28.78	2.38	27.79	2.46	27.28	2.51	26.87	2.56	25.89	2.62	
	35		32	32.86	2.38	31.81	2.47	30.73	2.53	30.18	2.59	29.74	2.64	28.66	2.70	
	40		36	34.53	2.45	33.56	2.54	32.49	2.61	31.93	2.66	31.48	2.71	30.34	2.78	
	45		41	36.63	2.54	35.75	2.62	34.70	2.70	34.12	2.75	33.66	2.79	32.44	2.87	
	47		43	37.47	2.57	36.63	2.66	35.58	2.74	35.00	2.79	34.53	2.83	33.28	2.91	
	50		46	37.58	2.56	36.82	2.63	35.91	2.71	35.39	2.75	34.97	2.78	33.79	2.86	
	55		51	37.76	2.53	37.13	2.59	36.45	2.65	36.03	2.68	35.69	2.71	34.64	2.77	
60	56		37.94	2.50	37.45	2.55	36.99	2.60	36.67	2.62	36.42	2.63	35.49	2.67		
63	59		38.05	2.49	37.64	2.53	37.31	2.56	37.06	2.58	36.85	2.59	36.00	2.62		
68	64		38.16	2.47	37.83	2.50	37.64	2.53	37.45	2.54	37.29	2.54	36.51	2.56		

TC = Total Capacity (kBtu/h).

PI = Power Input (kW).

Nominal capacity as rated: 0 ft. above sea level with 25 ft. of refrigerant piping.
0 ft. level difference between outdoor and indoor units.

Nominal heating capacity rating obtained with air entering the indoor unit at 70°F dry bulb (DB) and 60°F wet bulb (WB), and outdoor ambient conditions of 47°F dry bulb (DB) and 43°F wet bulb (WB).



Table 264: LMU36CHV Heating Capacity Table — Mixed Indoor Units (continued).

Connected Indoor Units	Combination Capacity Index	Outdoor Air Temp.		Indoor Air Temp. °F DB											
		°F DB	°F WB	61		64		68		70		72		75	
				TC	PI	TC	PI	TC	PI	TC	PI	TC	PI	TC	PI
Four (4) Mixed Indoor Units	7 + 7 + 7 + 18	-4	-4.4	7.85	1.97	7.50	2.05	7.16	2.08	7.11	2.09	7.06	2.10	6.72	2.18
		0	-0.4	11.39	2.01	10.63	2.08	10.52	2.12	10.38	2.14	10.27	2.15	9.83	2.23
		5	4.5	15.60	2.05	14.84	2.12	14.50	2.17	14.28	2.19	14.09	2.21	13.52	2.29
		10	9	18.42	2.09	17.66	2.16	17.18	2.21	16.88	2.24	16.65	2.27	15.99	2.34
		17	15	21.52	2.14	20.77	2.21	20.11	2.27	19.75	2.31	19.46	2.34	18.71	2.41
		20	19	23.40	2.17	22.65	2.24	21.89	2.32	21.49	2.36	21.16	2.39	20.36	2.46
		25	23	26.54	2.24	25.75	2.30	24.86	2.39	24.38	2.44	24.01	2.47	23.11	2.54
		30	28	29.70	2.31	28.78	2.38	27.79	2.46	27.28	2.51	26.87	2.56	25.89	2.62
		35	32	32.86	2.38	31.81	2.47	30.73	2.53	30.18	2.59	29.74	2.64	28.66	2.70
		40	36	34.53	2.45	33.56	2.54	32.49	2.61	31.93	2.66	31.48	2.71	30.34	2.78
		45	41	36.63	2.54	35.75	2.62	34.70	2.70	34.12	2.75	33.66	2.79	32.44	2.87
		47	43	37.47	2.57	36.63	2.66	35.58	2.74	35.00	2.79	34.53	2.83	33.28	2.91
		50	46	37.58	2.56	36.82	2.63	35.91	2.71	35.39	2.75	34.97	2.78	33.79	2.86
		55	51	37.76	2.53	37.13	2.59	36.45	2.65	36.03	2.68	35.69	2.71	34.64	2.77
		60	56	37.94	2.50	37.45	2.55	36.99	2.60	36.67	2.62	36.42	2.63	35.49	2.67
		63	59	38.05	2.49	37.64	2.53	37.31	2.56	37.06	2.58	36.85	2.59	36.00	2.62
		68	64	38.16	2.47	37.83	2.50	37.64	2.53	37.45	2.54	37.29	2.54	36.51	2.56
		9 + 9 + 9 + 12	-4	-4.4	7.85	1.97	7.50	2.05	7.16	2.08	7.11	2.09	7.06	2.10	6.72
	0		-0.4	11.39	2.01	10.63	2.08	10.52	2.12	10.38	2.14	10.27	2.15	9.83	2.23
	5		4.5	15.60	2.05	14.84	2.12	14.50	2.17	14.28	2.19	14.09	2.21	13.52	2.29
	10		9	18.42	2.09	17.66	2.16	17.18	2.21	16.88	2.24	16.65	2.27	15.99	2.34
	17		15	21.52	2.14	20.77	2.21	20.11	2.27	19.75	2.31	19.46	2.34	18.71	2.41
	20		19	23.40	2.17	22.65	2.24	21.89	2.32	21.49	2.36	21.16	2.39	20.36	2.46
	25		23	26.54	2.24	25.75	2.30	24.86	2.39	24.38	2.44	24.01	2.47	23.11	2.54
	30		28	29.70	2.31	28.78	2.38	27.79	2.46	27.28	2.51	26.87	2.56	25.89	2.62
	35		32	32.86	2.38	31.81	2.47	30.73	2.53	30.18	2.59	29.74	2.64	28.66	2.70
	40		36	34.53	2.45	33.56	2.54	32.49	2.61	31.93	2.66	31.48	2.71	30.34	2.78
	45		41	36.63	2.54	35.75	2.62	34.70	2.70	34.12	2.75	33.66	2.79	32.44	2.87
	47		43	37.47	2.57	36.63	2.66	35.58	2.74	35.00	2.79	34.53	2.83	33.28	2.91
	50		46	37.58	2.56	36.82	2.63	35.91	2.71	35.39	2.75	34.97	2.78	33.79	2.86
	55		51	37.76	2.53	37.13	2.59	36.45	2.65	36.03	2.68	35.69	2.71	34.64	2.77
	60		56	37.94	2.50	37.45	2.55	36.99	2.60	36.67	2.62	36.42	2.63	35.49	2.67
	63		59	38.05	2.49	37.64	2.53	37.31	2.56	37.06	2.58	36.85	2.59	36.00	2.62
	68		64	38.16	2.47	37.83	2.50	37.64	2.53	37.45	2.54	37.29	2.54	36.51	2.56
	7 + 9 + 9 + 15		-4	-4.4	7.85	1.97	7.50	2.05	7.16	2.08	7.11	2.09	7.06	2.10	6.72
		0	-0.4	11.39	2.01	10.63	2.08	10.52	2.12	10.38	2.14	10.27	2.15	9.83	2.23
		5	4.5	15.60	2.05	14.84	2.12	14.50	2.17	14.28	2.19	14.09	2.21	13.52	2.29
		10	9	18.42	2.09	17.66	2.16	17.18	2.21	16.88	2.24	16.65	2.27	15.99	2.34
		17	15	21.52	2.14	20.77	2.21	20.11	2.27	19.75	2.31	19.46	2.34	18.71	2.41
		20	19	23.40	2.17	22.65	2.24	21.89	2.32	21.49	2.36	21.16	2.39	20.36	2.46
		25	23	26.54	2.24	25.75	2.30	24.86	2.39	24.38	2.44	24.01	2.47	23.11	2.54
		30	28	29.70	2.31	28.78	2.38	27.79	2.46	27.28	2.51	26.87	2.56	25.89	2.62
		35	32	32.86	2.38	31.81	2.47	30.73	2.53	30.18	2.59	29.74	2.64	28.66	2.70
		40	36	34.53	2.45	33.56	2.54	32.49	2.61	31.93	2.66	31.48	2.71	30.34	2.78
		45	41	36.63	2.54	35.75	2.62	34.70	2.70	34.12	2.75	33.66	2.79	32.44	2.87
		47	43	37.47	2.57	36.63	2.66	35.58	2.74	35.00	2.79	34.53	2.83	33.28	2.91
		50	46	37.58	2.56	36.82	2.63	35.91	2.71	35.39	2.75	34.97	2.78	33.79	2.86
		55	51	37.76	2.53	37.13	2.59	36.45	2.65	36.03	2.68	35.69	2.71	34.64	2.77
60		56	37.94	2.50	37.45	2.55	36.99	2.60	36.67	2.62	36.42	2.63	35.49	2.67	
63		59	38.05	2.49	37.64	2.53	37.31	2.56	37.06	2.58	36.85	2.59	36.00	2.62	
68		64	38.16	2.47	37.83	2.50	37.64	2.53	37.45	2.54	37.29	2.54	36.51	2.56	

TC = Total Capacity (kBtu/h).

PI = Power Input (kW).

Nominal capacity as rated: 0 ft. above sea level with 25 ft. of refrigerant piping.
0 ft. level difference between outdoor and indoor units.

Nominal heating capacity rating obtained with air entering the indoor unit at 70°F dry bulb (DB) and 60°F wet bulb (WB), and outdoor ambient conditions of 47°F dry bulb (DB) and 43°F wet bulb (WB).

PERFORMANCE DATA

Heating Capacity Tables

MULTI F
MULTI F MAX

Table 265: LMU36CHV Heating Capacity Table — Mixed Indoor Units (continued).

Connected Indoor Units	Combination Capacity Index	Outdoor Air Temp.		Indoor Air Temp. °F DB											
		°F DB	°F WB	61		64		68		70		72		75	
				TC	PI	TC	PI	TC	PI	TC	PI	TC	PI	TC	PI
Four (4) Mixed Indoor Units	7 + 9 + 12 + 12	-4	-4.4	7.85	1.97	7.50	2.05	7.16	2.08	7.11	2.09	7.06	2.10	6.72	2.18
		0	-0.4	11.39	2.01	10.63	2.08	10.52	2.12	10.38	2.14	10.27	2.15	9.83	2.23
		5	4.5	15.60	2.05	14.84	2.12	14.50	2.17	14.28	2.19	14.09	2.21	13.52	2.29
		10	9	18.42	2.09	17.66	2.16	17.18	2.21	16.88	2.24	16.65	2.27	15.99	2.34
		17	15	21.52	2.14	20.77	2.21	20.11	2.27	19.75	2.31	19.46	2.34	18.71	2.41
		20	19	23.40	2.17	22.65	2.24	21.89	2.32	21.49	2.36	21.16	2.39	20.36	2.46
		25	23	26.54	2.24	25.75	2.30	24.86	2.39	24.38	2.44	24.01	2.47	23.11	2.54
		30	28	29.70	2.31	28.78	2.38	27.79	2.46	27.28	2.51	26.87	2.56	25.89	2.62
		35	32	32.86	2.38	31.81	2.47	30.73	2.53	30.18	2.59	29.74	2.64	28.66	2.70
		40	36	34.53	2.45	33.56	2.54	32.49	2.61	31.93	2.66	31.48	2.71	30.34	2.78
		45	41	36.63	2.54	35.75	2.62	34.70	2.70	34.12	2.75	33.66	2.79	32.44	2.87
		47	43	37.47	2.57	36.63	2.66	35.58	2.74	35.00	2.79	34.53	2.83	33.28	2.91
		50	46	37.58	2.56	36.82	2.63	35.91	2.71	35.39	2.75	34.97	2.78	33.79	2.86
		55	51	37.76	2.53	37.13	2.59	36.45	2.65	36.03	2.68	35.69	2.71	34.64	2.77
		60	56	37.94	2.50	37.45	2.55	36.99	2.60	36.67	2.62	36.42	2.63	35.49	2.67
		63	59	38.05	2.49	37.64	2.53	37.31	2.56	37.06	2.58	36.85	2.59	36.00	2.62
		68	64	38.16	2.47	37.83	2.50	37.64	2.53	37.45	2.54	37.29	2.54	36.51	2.56
		7 + 7 + 9 + 18	-4	-4.4	7.85	1.97	7.50	2.05	7.16	2.08	7.11	2.09	7.06	2.10	6.72
	0		-0.4	11.39	2.01	10.63	2.08	10.52	2.12	10.38	2.14	10.27	2.15	9.83	2.23
	5		4.5	15.60	2.05	14.84	2.12	14.50	2.17	14.28	2.19	14.09	2.21	13.52	2.29
	10		9	18.42	2.09	17.66	2.16	17.18	2.21	16.88	2.24	16.65	2.27	15.99	2.34
	17		15	21.52	2.14	20.77	2.21	20.11	2.27	19.75	2.31	19.46	2.34	18.71	2.41
	20		19	23.40	2.17	22.65	2.24	21.89	2.32	21.49	2.36	21.16	2.39	20.36	2.46
	25		23	26.54	2.24	25.75	2.30	24.86	2.39	24.38	2.44	24.01	2.47	23.11	2.54
	30		28	29.70	2.31	28.78	2.38	27.79	2.46	27.28	2.51	26.87	2.56	25.89	2.62
	35		32	32.86	2.38	31.81	2.47	30.73	2.53	30.18	2.59	29.74	2.64	28.66	2.70
	40		36	34.53	2.45	33.56	2.54	32.49	2.61	31.93	2.66	31.48	2.71	30.34	2.78
	45		41	36.63	2.54	35.75	2.62	34.70	2.70	34.12	2.75	33.66	2.79	32.44	2.87
	47		43	37.47	2.57	36.63	2.66	35.58	2.74	35.00	2.79	34.53	2.83	33.28	2.91
	50		46	37.58	2.56	36.82	2.63	35.91	2.71	35.39	2.75	34.97	2.78	33.79	2.86
	55		51	37.76	2.53	37.13	2.59	36.45	2.65	36.03	2.68	35.69	2.71	34.64	2.77
	60		56	37.94	2.50	37.45	2.55	36.99	2.60	36.67	2.62	36.42	2.63	35.49	2.67
	63		59	38.05	2.49	37.64	2.53	37.31	2.56	37.06	2.58	36.85	2.59	36.00	2.62
	68		64	38.16	2.47	37.83	2.50	37.64	2.53	37.45	2.54	37.29	2.54	36.51	2.56
	7 + 7 + 12 + 15		-4	-4.4	7.85	1.97	7.50	2.05	7.16	2.08	7.11	2.09	7.06	2.10	6.72
		0	-0.4	11.39	2.01	10.63	2.08	10.52	2.12	10.38	2.14	10.27	2.15	9.83	2.23
		5	4.5	15.60	2.05	14.84	2.12	14.50	2.17	14.28	2.19	14.09	2.21	13.52	2.29
		10	9	18.42	2.09	17.66	2.16	17.18	2.21	16.88	2.24	16.65	2.27	15.99	2.34
		17	15	21.52	2.14	20.77	2.21	20.11	2.27	19.75	2.31	19.46	2.34	18.71	2.41
		20	19	23.40	2.17	22.65	2.24	21.89	2.32	21.49	2.36	21.16	2.39	20.36	2.46
		25	23	26.54	2.24	25.75	2.30	24.86	2.39	24.38	2.44	24.01	2.47	23.11	2.54
		30	28	29.70	2.31	28.78	2.38	27.79	2.46	27.28	2.51	26.87	2.56	25.89	2.62
		35	32	32.86	2.38	31.81	2.47	30.73	2.53	30.18	2.59	29.74	2.64	28.66	2.70
		40	36	34.53	2.45	33.56	2.54	32.49	2.61	31.93	2.66	31.48	2.71	30.34	2.78
		45	41	36.63	2.54	35.75	2.62	34.70	2.70	34.12	2.75	33.66	2.79	32.44	2.87
		47	43	37.47	2.57	36.63	2.66	35.58	2.74	35.00	2.79	34.53	2.83	33.28	2.91
		50	46	37.58	2.56	36.82	2.63	35.91	2.71	35.39	2.75	34.97	2.78	33.79	2.86
		55	51	37.76	2.53	37.13	2.59	36.45	2.65	36.03	2.68	35.69	2.71	34.64	2.77
60		56	37.94	2.50	37.45	2.55	36.99	2.60	36.67	2.62	36.42	2.63	35.49	2.67	
63		59	38.05	2.49	37.64	2.53	37.31	2.56	37.06	2.58	36.85	2.59	36.00	2.62	
68		64	38.16	2.47	37.83	2.50	37.64	2.53	37.45	2.54	37.29	2.54	36.51	2.56	

TC = Total Capacity (kBtu/h).

PI = Power Input (kW).

Nominal capacity as rated: 0 ft. above sea level with 25 ft. of refrigerant piping.
0 ft. level difference between outdoor and indoor units.

Nominal heating capacity rating obtained with air entering the indoor unit at 70°F dry bulb (DB) and 60°F wet bulb (WB), and outdoor ambient conditions of 47°F dry bulb (DB) and 43°F wet bulb (WB).

Multi F and Multi F MAX Heat Pump System Engineering Manual

Table 266: LMU36CHV Heating Capacity Table — Mixed Indoor Units (continued).

Connected Indoor Units	Combination Capacity Index	Outdoor Air Temp.		Indoor Air Temp. °F DB											
		°F DB	°F WB	61		64		68		70		72		75	
				TC	PI	TC	PI	TC	PI	TC	PI	TC	PI	TC	PI
Four (4) Mixed Indoor Units	9 + 9 + 9 + 15	-4	-4.4	7.85	1.97	7.50	2.05	7.16	2.08	7.11	2.09	7.06	2.10	6.72	2.18
		0	-0.4	11.39	2.01	10.63	2.08	10.52	2.12	10.38	2.14	10.27	2.15	9.83	2.23
		5	4.5	15.60	2.05	14.84	2.12	14.50	2.17	14.28	2.19	14.09	2.21	13.52	2.29
		10	9	18.42	2.09	17.66	2.16	17.18	2.21	16.88	2.24	16.65	2.27	15.99	2.34
		17	15	21.52	2.14	20.77	2.21	20.11	2.27	19.75	2.31	19.46	2.34	18.71	2.41
		20	19	23.40	2.17	22.65	2.24	21.89	2.32	21.49	2.36	21.16	2.39	20.36	2.46
		25	23	26.54	2.24	25.75	2.30	24.86	2.39	24.38	2.44	24.01	2.47	23.11	2.54
		30	28	29.70	2.31	28.78	2.38	27.79	2.46	27.28	2.51	26.87	2.56	25.89	2.62
		35	32	32.86	2.38	31.81	2.47	30.73	2.53	30.18	2.59	29.74	2.64	28.66	2.70
		40	36	34.53	2.45	33.56	2.54	32.49	2.61	31.93	2.66	31.48	2.71	30.34	2.78
		45	41	36.63	2.54	35.75	2.62	34.70	2.70	34.12	2.75	33.66	2.79	32.44	2.87
		47	43	37.47	2.57	36.63	2.66	35.58	2.74	35.00	2.79	34.53	2.83	33.28	2.91
		50	46	37.58	2.56	36.82	2.63	35.91	2.71	35.39	2.75	34.97	2.78	33.79	2.86
		55	51	37.76	2.53	37.13	2.59	36.45	2.65	36.03	2.68	35.69	2.71	34.64	2.77
		60	56	37.94	2.50	37.45	2.55	36.99	2.60	36.67	2.62	36.42	2.63	35.49	2.67
		63	59	38.05	2.49	37.64	2.53	37.31	2.56	37.06	2.58	36.85	2.59	36.00	2.62
		68	64	38.16	2.47	37.83	2.50	37.64	2.53	37.45	2.54	37.29	2.54	36.51	2.56
		9 + 9 + 12 + 12	-4	-4.4	7.85	1.97	7.50	2.05	7.16	2.08	7.11	2.09	7.06	2.10	6.72
	0		-0.4	11.39	2.01	10.63	2.08	10.52	2.12	10.38	2.14	10.27	2.15	9.83	2.23
	5		4.5	15.60	2.05	14.84	2.12	14.50	2.17	14.28	2.19	14.09	2.21	13.52	2.29
	10		9	18.42	2.09	17.66	2.16	17.18	2.21	16.88	2.24	16.65	2.27	15.99	2.34
	17		15	21.52	2.14	20.77	2.21	20.11	2.27	19.75	2.31	19.46	2.34	18.71	2.41
	20		19	23.40	2.17	22.65	2.24	21.89	2.32	21.49	2.36	21.16	2.39	20.36	2.46
	25		23	26.54	2.24	25.75	2.30	24.86	2.39	24.38	2.44	24.01	2.47	23.11	2.54
	30		28	29.70	2.31	28.78	2.38	27.79	2.46	27.28	2.51	26.87	2.56	25.89	2.62
	35		32	32.86	2.38	31.81	2.47	30.73	2.53	30.18	2.59	29.74	2.64	28.66	2.70
	40		36	34.53	2.45	33.56	2.54	32.49	2.61	31.93	2.66	31.48	2.71	30.34	2.78
	45		41	36.63	2.54	35.75	2.62	34.70	2.70	34.12	2.75	33.66	2.79	32.44	2.87
	47		43	37.47	2.57	36.63	2.66	35.58	2.74	35.00	2.79	34.53	2.83	33.28	2.91
	50		46	37.58	2.56	36.82	2.63	35.91	2.71	35.39	2.75	34.97	2.78	33.79	2.86
	55		51	37.76	2.53	37.13	2.59	36.45	2.65	36.03	2.68	35.69	2.71	34.64	2.77
	60		56	37.94	2.50	37.45	2.55	36.99	2.60	36.67	2.62	36.42	2.63	35.49	2.67
	63		59	38.05	2.49	37.64	2.53	37.31	2.56	37.06	2.58	36.85	2.59	36.00	2.62
	68		64	38.16	2.47	37.83	2.50	37.64	2.53	37.45	2.54	37.29	2.54	36.51	2.56
	7 + 9 + 9 + 18		-4	-4.4	7.85	1.97	7.50	2.05	7.16	2.08	7.11	2.09	7.06	2.10	6.72
		0	-0.4	11.39	2.01	10.63	2.08	10.52	2.12	10.38	2.14	10.27	2.15	9.83	2.23
		5	4.5	15.60	2.05	14.84	2.12	14.50	2.17	14.28	2.19	14.09	2.21	13.52	2.29
		10	9	18.42	2.09	17.66	2.16	17.18	2.21	16.88	2.24	16.65	2.27	15.99	2.34
		17	15	21.52	2.14	20.77	2.21	20.11	2.27	19.75	2.31	19.46	2.34	18.71	2.41
		20	19	23.40	2.17	22.65	2.24	21.89	2.32	21.49	2.36	21.16	2.39	20.36	2.46
		25	23	26.54	2.24	25.75	2.30	24.86	2.39	24.38	2.44	24.01	2.47	23.11	2.54
		30	28	29.70	2.31	28.78	2.38	27.79	2.46	27.28	2.51	26.87	2.56	25.89	2.62
		35	32	32.86	2.38	31.81	2.47	30.73	2.53	30.18	2.59	29.74	2.64	28.66	2.70
		40	36	34.53	2.45	33.56	2.54	32.49	2.61	31.93	2.66	31.48	2.71	30.34	2.78
		45	41	36.63	2.54	35.75	2.62	34.70	2.70	34.12	2.75	33.66	2.79	32.44	2.87
		47	43	37.47	2.57	36.63	2.66	35.58	2.74	35.00	2.79	34.53	2.83	33.28	2.91
		50	46	37.58	2.56	36.82	2.63	35.91	2.71	35.39	2.75	34.97	2.78	33.79	2.86
		55	51	37.76	2.53	37.13	2.59	36.45	2.65	36.03	2.68	35.69	2.71	34.64	2.77
60		56	37.94	2.50	37.45	2.55	36.99	2.60	36.67	2.62	36.42	2.63	35.49	2.67	
63		59	38.05	2.49	37.64	2.53	37.31	2.56	37.06	2.58	36.85	2.59	36.00	2.62	
68		64	38.16	2.47	37.83	2.50	37.64	2.53	37.45	2.54	37.29	2.54	36.51	2.56	

TC = Total Capacity (kBtu/h).

PI = Power Input (kW).

Nominal capacity as rated: 0 ft. above sea level with 25 ft. of refrigerant piping.
0 ft. level difference between outdoor and indoor units.

Nominal heating capacity rating obtained with air entering the indoor unit at 70°F dry bulb (DB) and 60°F wet bulb (WB), and outdoor ambient conditions of 47°F dry bulb (DB) and 43°F wet bulb (WB).

PERFORMANCE DATA

Heating Capacity Tables

MULTI F
MULTI F MAX

Table 267: LMU36CHV Heating Capacity Table — Mixed Indoor Units (continued).

Connected Indoor Units	Combination Capacity Index	Outdoor Air Temp.		Indoor Air Temp. °F DB											
		°F DB	°F WB	61		64		68		70		72		75	
				TC	PI	TC	PI	TC	PI	TC	PI	TC	PI	TC	PI
Four (4) Mixed Indoor Units	7 + 9 + 12 + 15	-4	-4.4	7.85	1.97	7.50	2.05	7.16	2.08	7.11	2.09	7.06	2.10	6.72	2.18
		0	-0.4	11.39	2.01	10.63	2.08	10.52	2.12	10.38	2.14	10.27	2.15	9.83	2.23
		5	4.5	15.60	2.05	14.84	2.12	14.50	2.17	14.28	2.19	14.09	2.21	13.52	2.29
		10	9	18.42	2.09	17.66	2.16	17.18	2.21	16.88	2.24	16.65	2.27	15.99	2.34
		17	15	21.52	2.14	20.77	2.21	20.11	2.27	19.75	2.31	19.46	2.34	18.71	2.41
		20	19	23.40	2.17	22.65	2.24	21.89	2.32	21.49	2.36	21.16	2.39	20.36	2.46
		25	23	26.54	2.24	25.75	2.30	24.86	2.39	24.38	2.44	24.01	2.47	23.11	2.54
		30	28	29.70	2.31	28.78	2.38	27.79	2.46	27.28	2.51	26.87	2.56	25.89	2.62
		35	32	32.86	2.38	31.81	2.47	30.73	2.53	30.18	2.59	29.74	2.64	28.66	2.70
		40	36	34.53	2.45	33.56	2.54	32.49	2.61	31.93	2.66	31.48	2.71	30.34	2.78
		45	41	36.63	2.54	35.75	2.62	34.70	2.70	34.12	2.75	33.66	2.79	32.44	2.87
		47	43	37.47	2.57	36.63	2.66	35.58	2.74	35.00	2.79	34.53	2.83	33.28	2.91
		50	46	37.58	2.56	36.82	2.63	35.91	2.71	35.39	2.75	34.97	2.78	33.79	2.86
		55	51	37.76	2.53	37.13	2.59	36.45	2.65	36.03	2.68	35.69	2.71	34.64	2.77
		60	56	37.94	2.50	37.45	2.55	36.99	2.60	36.67	2.62	36.42	2.63	35.49	2.67
		63	59	38.05	2.49	37.64	2.53	37.31	2.56	37.06	2.58	36.85	2.59	36.00	2.62
		68	64	38.16	2.47	37.83	2.50	37.64	2.53	37.45	2.54	37.29	2.54	36.51	2.56
		7 + 12 + 12 + 12	-4	-4.4	7.85	1.97	7.50	2.05	7.16	2.08	7.11	2.09	7.06	2.10	6.72
	0		-0.4	11.39	2.01	10.63	2.08	10.52	2.12	10.38	2.14	10.27	2.15	9.83	2.23
	5		4.5	15.60	2.05	14.84	2.12	14.50	2.17	14.28	2.19	14.09	2.21	13.52	2.29
	10		9	18.42	2.09	17.66	2.16	17.18	2.21	16.88	2.24	16.65	2.27	15.99	2.34
	17		15	21.52	2.14	20.77	2.21	20.11	2.27	19.75	2.31	19.46	2.34	18.71	2.41
	20		19	23.40	2.17	22.65	2.24	21.89	2.32	21.49	2.36	21.16	2.39	20.36	2.46
	25		23	26.54	2.24	25.75	2.30	24.86	2.39	24.38	2.44	24.01	2.47	23.11	2.54
	30		28	29.70	2.31	28.78	2.38	27.79	2.46	27.28	2.51	26.87	2.56	25.89	2.62
	35		32	32.86	2.38	31.81	2.47	30.73	2.53	30.18	2.59	29.74	2.64	28.66	2.70
	40		36	34.53	2.45	33.56	2.54	32.49	2.61	31.93	2.66	31.48	2.71	30.34	2.78
	45		41	36.63	2.54	35.75	2.62	34.70	2.70	34.12	2.75	33.66	2.79	32.44	2.87
	47		43	37.47	2.57	36.63	2.66	35.58	2.74	35.00	2.79	34.53	2.83	33.28	2.91
	50		46	37.58	2.56	36.82	2.63	35.91	2.71	35.39	2.75	34.97	2.78	33.79	2.86
	55		51	37.76	2.53	37.13	2.59	36.45	2.65	36.03	2.68	35.69	2.71	34.64	2.77
	60		56	37.94	2.50	37.45	2.55	36.99	2.60	36.67	2.62	36.42	2.63	35.49	2.67
	63		59	38.05	2.49	37.64	2.53	37.31	2.56	37.06	2.58	36.85	2.59	36.00	2.62
	68		64	38.16	2.47	37.83	2.50	37.64	2.53	37.45	2.54	37.29	2.54	36.51	2.56
	7 + 7 + 12 + 18		-4	-4.4	7.85	1.97	7.50	2.05	7.16	2.08	7.11	2.09	7.06	2.10	6.72
		0	-0.4	11.39	2.01	10.63	2.08	10.52	2.12	10.38	2.14	10.27	2.15	9.83	2.23
		5	4.5	15.60	2.05	14.84	2.12	14.50	2.17	14.28	2.19	14.09	2.21	13.52	2.29
		10	9	18.42	2.09	17.66	2.16	17.18	2.21	16.88	2.24	16.65	2.27	15.99	2.34
		17	15	21.52	2.14	20.77	2.21	20.11	2.27	19.75	2.31	19.46	2.34	18.71	2.41
		20	19	23.40	2.17	22.65	2.24	21.89	2.32	21.49	2.36	21.16	2.39	20.36	2.46
		25	23	26.54	2.24	25.75	2.30	24.86	2.39	24.38	2.44	24.01	2.47	23.11	2.54
		30	28	29.70	2.31	28.78	2.38	27.79	2.46	27.28	2.51	26.87	2.56	25.89	2.62
		35	32	32.86	2.38	31.81	2.47	30.73	2.53	30.18	2.59	29.74	2.64	28.66	2.70
		40	36	34.53	2.45	33.56	2.54	32.49	2.61	31.93	2.66	31.48	2.71	30.34	2.78
		45	41	36.63	2.54	35.75	2.62	34.70	2.70	34.12	2.75	33.66	2.79	32.44	2.87
		47	43	37.47	2.57	36.63	2.66	35.58	2.74	35.00	2.79	34.53	2.83	33.28	2.91
		50	46	37.58	2.56	36.82	2.63	35.91	2.71	35.39	2.75	34.97	2.78	33.79	2.86
		55	51	37.76	2.53	37.13	2.59	36.45	2.65	36.03	2.68	35.69	2.71	34.64	2.77
60		56	37.94	2.50	37.45	2.55	36.99	2.60	36.67	2.62	36.42	2.63	35.49	2.67	
63		59	38.05	2.49	37.64	2.53	37.31	2.56	37.06	2.58	36.85	2.59	36.00	2.62	
68		64	38.16	2.47	37.83	2.50	37.64	2.53	37.45	2.54	37.29	2.54	36.51	2.56	

TC = Total Capacity (kBtu/h).

PI = Power Input (kW).

Nominal capacity as rated: 0 ft. above sea level with 25 ft. of refrigerant piping.
0 ft. level difference between outdoor and indoor units.

Nominal heating capacity rating obtained with air entering the indoor unit at 70°F dry bulb (DB) and 60°F wet bulb (WB), and outdoor ambient conditions of 47°F dry bulb (DB) and 43°F wet bulb (WB).



Table 268: LMU36CHV Heating Capacity Table — Mixed Indoor Units (continued).

Connected Indoor Units	Combination Capacity Index	Outdoor Air Temp.		Indoor Air Temp. °F DB											
		°F DB	°F WB	61		64		68		70		72		75	
				TC	PI	TC	PI	TC	PI	TC	PI	TC	PI	TC	PI
Four (4) Mixed Indoor Units	7 + 7 + 7 + 24*	-4	-4.4	7.85	1.97	7.50	2.05	7.16	2.08	7.11	2.09	7.06	2.10	6.72	2.18
		0	-0.4	11.39	2.01	10.63	2.08	10.52	2.12	10.38	2.14	10.27	2.15	9.83	2.23
		5	4.5	15.60	2.05	14.84	2.12	14.50	2.17	14.28	2.19	14.09	2.21	13.52	2.29
		10	9	18.42	2.09	17.66	2.16	17.18	2.21	16.88	2.24	16.65	2.27	15.99	2.34
		17	15	21.52	2.14	20.77	2.21	20.11	2.27	19.75	2.31	19.46	2.34	18.71	2.41
		20	19	23.40	2.17	22.65	2.24	21.89	2.32	21.49	2.36	21.16	2.39	20.36	2.46
		25	23	26.54	2.24	25.75	2.30	24.86	2.39	24.38	2.44	24.01	2.47	23.11	2.54
		30	28	29.70	2.31	28.78	2.38	27.79	2.46	27.28	2.51	26.87	2.56	25.89	2.62
		35	32	32.86	2.38	31.81	2.47	30.73	2.53	30.18	2.59	29.74	2.64	28.66	2.70
		40	36	34.53	2.45	33.56	2.54	32.49	2.61	31.93	2.66	31.48	2.71	30.34	2.78
		45	41	36.63	2.54	35.75	2.62	34.70	2.70	34.12	2.75	33.66	2.79	32.44	2.87
		47	43	37.47	2.57	36.63	2.66	35.58	2.74	35.00	2.79	34.53	2.83	33.28	2.91
		50	46	37.58	2.56	36.82	2.63	35.91	2.71	35.39	2.75	34.97	2.78	33.79	2.86
		55	51	37.76	2.53	37.13	2.59	36.45	2.65	36.03	2.68	35.69	2.71	34.64	2.77
		60	56	37.94	2.50	37.45	2.55	36.99	2.60	36.67	2.62	36.42	2.63	35.49	2.67
		63	59	38.05	2.49	37.64	2.53	37.31	2.56	37.06	2.58	36.85	2.59	36.00	2.62
		68	64	38.16	2.47	37.83	2.50	37.64	2.53	37.45	2.54	37.29	2.54	36.51	2.56
		9 + 9 + 9 + 18	-4	-4.4	7.85	1.97	7.50	2.05	7.16	2.08	7.11	2.09	7.06	2.10	6.72
	0	-0.4	11.39	2.01	10.63	2.08	10.52	2.12	10.38	2.14	10.27	2.15	9.83	2.23	
	5	4.5	15.60	2.05	14.84	2.12	14.50	2.17	14.28	2.19	14.09	2.21	13.52	2.29	
	10	9	18.42	2.09	17.66	2.16	17.18	2.21	16.88	2.24	16.65	2.27	15.99	2.34	
	17	15	21.52	2.14	20.77	2.21	20.11	2.27	19.75	2.31	19.46	2.34	18.71	2.41	
	20	19	23.40	2.17	22.65	2.24	21.89	2.32	21.49	2.36	21.16	2.39	20.36	2.46	
	25	23	26.54	2.24	25.75	2.30	24.86	2.39	24.38	2.44	24.01	2.47	23.11	2.54	
	30	28	29.70	2.31	28.78	2.38	27.79	2.46	27.28	2.51	26.87	2.56	25.89	2.62	
	35	32	32.86	2.38	31.81	2.47	30.73	2.53	30.18	2.59	29.74	2.64	28.66	2.70	
	40	36	34.53	2.45	33.56	2.54	32.49	2.61	31.93	2.66	31.48	2.71	30.34	2.78	
	45	41	36.63	2.54	35.75	2.62	34.70	2.70	34.12	2.75	33.66	2.79	32.44	2.87	
	47	43	37.47	2.57	36.63	2.66	35.58	2.74	35.00	2.79	34.53	2.83	33.28	2.91	
	50	46	37.58	2.56	36.82	2.63	35.91	2.71	35.39	2.75	34.97	2.78	33.79	2.86	
	55	51	37.76	2.53	37.13	2.59	36.45	2.65	36.03	2.68	35.69	2.71	34.64	2.77	
	60	56	37.94	2.50	37.45	2.55	36.99	2.60	36.67	2.62	36.42	2.63	35.49	2.67	
	63	59	38.05	2.49	37.64	2.53	37.31	2.56	37.06	2.58	36.85	2.59	36.00	2.62	
	68	64	38.16	2.47	37.83	2.50	37.64	2.53	37.45	2.54	37.29	2.54	36.51	2.56	
	9 + 9 + 12 + 15	-4	-4.4	7.85	1.97	7.50	2.05	7.16	2.08	7.11	2.09	7.06	2.10	6.72	2.18
	0	-0.4	11.39	2.01	10.63	2.08	10.52	2.12	10.38	2.14	10.27	2.15	9.83	2.23	
	5	4.5	15.60	2.05	14.84	2.12	14.50	2.17	14.28	2.19	14.09	2.21	13.52	2.29	
	10	9	18.42	2.09	17.66	2.16	17.18	2.21	16.88	2.24	16.65	2.27	15.99	2.34	
	17	15	21.52	2.14	20.77	2.21	20.11	2.27	19.75	2.31	19.46	2.34	18.71	2.41	
	20	19	23.40	2.17	22.65	2.24	21.89	2.32	21.49	2.36	21.16	2.39	20.36	2.46	
	25	23	26.54	2.24	25.75	2.30	24.86	2.39	24.38	2.44	24.01	2.47	23.11	2.54	
	30	28	29.70	2.31	28.78	2.38	27.79	2.46	27.28	2.51	26.87	2.56	25.89	2.62	
	35	32	32.86	2.38	31.81	2.47	30.73	2.53	30.18	2.59	29.74	2.64	28.66	2.70	
	40	36	34.53	2.45	33.56	2.54	32.49	2.61	31.93	2.66	31.48	2.71	30.34	2.78	
	45	41	36.63	2.54	35.75	2.62	34.70	2.70	34.12	2.75	33.66	2.79	32.44	2.87	
	47	43	37.47	2.57	36.63	2.66	35.58	2.74	35.00	2.79	34.53	2.83	33.28	2.91	
	50	46	37.58	2.56	36.82	2.63	35.91	2.71	35.39	2.75	34.97	2.78	33.79	2.86	
	55	51	37.76	2.53	37.13	2.59	36.45	2.65	36.03	2.68	35.69	2.71	34.64	2.77	
60	56	37.94	2.50	37.45	2.55	36.99	2.60	36.67	2.62	36.42	2.63	35.49	2.67		
63	59	38.05	2.49	37.64	2.53	37.31	2.56	37.06	2.58	36.85	2.59	36.00	2.62		
68	64	38.16	2.47	37.83	2.50	37.64	2.53	37.45	2.54	37.29	2.54	36.51	2.56		

TC = Total Capacity (kBtu/h).

PI = Power Input (kW).

Nominal capacity as rated: 0 ft. above sea level with 25 ft. of refrigerant piping.
0 ft. level difference between outdoor and indoor units.

Nominal heating capacity rating obtained with air entering the indoor unit at 70°F dry bulb (DB) and 60°F wet bulb (WB), and outdoor ambient conditions of 47°F dry bulb (DB) and 43°F wet bulb (WB).

*The indoor unit must be non-ducted type.

PERFORMANCE DATA

Heating Capacity Tables

MULTI F
MULTI F MAX

Table 269: LMU36CHV Heating Capacity Table — Mixed Indoor Units (continued).

Connected Indoor Units	Combination Capacity Index	Outdoor Air Temp.		Indoor Air Temp. °F DB											
		°F DB	°F WB	61		64		68		70		72		75	
				TC	PI	TC	PI	TC	PI	TC	PI	TC	PI	TC	PI
Four (4) Mixed Indoor Units	9 + 12 + 12 + 12	-4	-4.4	7.85	1.97	7.50	2.05	7.16	2.08	7.11	2.09	7.06	2.10	6.72	2.18
		0	-0.4	11.39	2.01	10.63	2.08	10.52	2.12	10.38	2.14	10.27	2.15	9.83	2.23
		5	4.5	15.60	2.05	14.84	2.12	14.50	2.17	14.28	2.19	14.09	2.21	13.52	2.29
		10	9	18.42	2.09	17.66	2.16	17.18	2.21	16.88	2.24	16.65	2.27	15.99	2.34
		17	15	21.52	2.14	20.77	2.21	20.11	2.27	19.75	2.31	19.46	2.34	18.71	2.41
		20	19	23.40	2.17	22.65	2.24	21.89	2.32	21.49	2.36	21.16	2.39	20.36	2.46
		25	23	26.54	2.24	25.75	2.30	24.86	2.39	24.38	2.44	24.01	2.47	23.11	2.54
		30	28	29.70	2.31	28.78	2.38	27.79	2.46	27.28	2.51	26.87	2.56	25.89	2.62
		35	32	32.86	2.38	31.81	2.47	30.73	2.53	30.18	2.59	29.74	2.64	28.66	2.70
		40	36	34.53	2.45	33.56	2.54	32.49	2.61	31.93	2.66	31.48	2.71	30.34	2.78
		45	41	36.63	2.54	35.75	2.62	34.70	2.70	34.12	2.75	33.66	2.79	32.44	2.87
		47	43	37.47	2.57	36.63	2.66	35.58	2.74	35.00	2.79	34.53	2.83	33.28	2.91
		50	46	37.58	2.56	36.82	2.63	35.91	2.71	35.39	2.75	34.97	2.78	33.79	2.86
		55	51	37.76	2.53	37.13	2.59	36.45	2.65	36.03	2.68	35.69	2.71	34.64	2.77
		60	56	37.94	2.50	37.45	2.55	36.99	2.60	36.67	2.62	36.42	2.63	35.49	2.67
		63	59	38.05	2.49	37.64	2.53	37.31	2.56	37.06	2.58	36.85	2.59	36.00	2.62
		68	64	38.16	2.47	37.83	2.50	37.64	2.53	37.45	2.54	37.29	2.54	36.51	2.56
		7 + 9 + 12 + 18	-4	-4.4	7.85	1.97	7.50	2.05	7.16	2.08	7.11	2.09	7.06	2.10	6.72
	0		-0.4	11.39	2.01	10.63	2.08	10.52	2.12	10.38	2.14	10.27	2.15	9.83	2.23
	5		4.5	15.60	2.05	14.84	2.12	14.50	2.17	14.28	2.19	14.09	2.21	13.52	2.29
	10		9	18.42	2.09	17.66	2.16	17.18	2.21	16.88	2.24	16.65	2.27	15.99	2.34
	17		15	21.52	2.14	20.77	2.21	20.11	2.27	19.75	2.31	19.46	2.34	18.71	2.41
	20		19	23.40	2.17	22.65	2.24	21.89	2.32	21.49	2.36	21.16	2.39	20.36	2.46
	25		23	26.54	2.24	25.75	2.30	24.86	2.39	24.38	2.44	24.01	2.47	23.11	2.54
	30		28	29.70	2.31	28.78	2.38	27.79	2.46	27.28	2.51	26.87	2.56	25.89	2.62
	35		32	32.86	2.38	31.81	2.47	30.73	2.53	30.18	2.59	29.74	2.64	28.66	2.70
	40		36	34.53	2.45	33.56	2.54	32.49	2.61	31.93	2.66	31.48	2.71	30.34	2.78
	45		41	36.63	2.54	35.75	2.62	34.70	2.70	34.12	2.75	33.66	2.79	32.44	2.87
	47		43	37.47	2.57	36.63	2.66	35.58	2.74	35.00	2.79	34.53	2.83	33.28	2.91
	50		46	37.58	2.56	36.82	2.63	35.91	2.71	35.39	2.75	34.97	2.78	33.79	2.86
	55		51	37.76	2.53	37.13	2.59	36.45	2.65	36.03	2.68	35.69	2.71	34.64	2.77
	60		56	37.94	2.50	37.45	2.55	36.99	2.60	36.67	2.62	36.42	2.63	35.49	2.67
	63		59	38.05	2.49	37.64	2.53	37.31	2.56	37.06	2.58	36.85	2.59	36.00	2.62
	68		64	38.16	2.47	37.83	2.50	37.64	2.53	37.45	2.54	37.29	2.54	36.51	2.56
	7 + 9 + 15 + 15		-4	-4.4	7.85	1.97	7.50	2.05	7.16	2.08	7.11	2.09	7.06	2.10	6.72
		0	-0.4	11.39	2.01	10.63	2.08	10.52	2.12	10.38	2.14	10.27	2.15	9.83	2.23
		5	4.5	15.60	2.05	14.84	2.12	14.50	2.17	14.28	2.19	14.09	2.21	13.52	2.29
		10	9	18.42	2.09	17.66	2.16	17.18	2.21	16.88	2.24	16.65	2.27	15.99	2.34
		17	15	21.52	2.14	20.77	2.21	20.11	2.27	19.75	2.31	19.46	2.34	18.71	2.41
		20	19	23.40	2.17	22.65	2.24	21.89	2.32	21.49	2.36	21.16	2.39	20.36	2.46
		25	23	26.54	2.24	25.75	2.30	24.86	2.39	24.38	2.44	24.01	2.47	23.11	2.54
		30	28	29.70	2.31	28.78	2.38	27.79	2.46	27.28	2.51	26.87	2.56	25.89	2.62
		35	32	32.86	2.38	31.81	2.47	30.73	2.53	30.18	2.59	29.74	2.64	28.66	2.70
		40	36	34.53	2.45	33.56	2.54	32.49	2.61	31.93	2.66	31.48	2.71	30.34	2.78
		45	41	36.63	2.54	35.75	2.62	34.70	2.70	34.12	2.75	33.66	2.79	32.44	2.87
		47	43	37.47	2.57	36.63	2.66	35.58	2.74	35.00	2.79	34.53	2.83	33.28	2.91
		50	46	37.58	2.56	36.82	2.63	35.91	2.71	35.39	2.75	34.97	2.78	33.79	2.86
		55	51	37.76	2.53	37.13	2.59	36.45	2.65	36.03	2.68	35.69	2.71	34.64	2.77
60		56	37.94	2.50	37.45	2.55	36.99	2.60	36.67	2.62	36.42	2.63	35.49	2.67	
63		59	38.05	2.49	37.64	2.53	37.31	2.56	37.06	2.58	36.85	2.59	36.00	2.62	
68		64	38.16	2.47	37.83	2.50	37.64	2.53	37.45	2.54	37.29	2.54	36.51	2.56	

TC = Total Capacity (kBtu/h).

PI = Power Input (kW).

Nominal capacity as rated: 0 ft. above sea level with 25 ft. of refrigerant piping.
0 ft. level difference between outdoor and indoor units.

Nominal heating capacity rating obtained with air entering the indoor unit at 70°F dry bulb (DB) and 60°F wet bulb (WB), and outdoor ambient conditions of 47°F dry bulb (DB) and 43°F wet bulb (WB).

Table 270: LMU36CHV Heating Capacity Table — Mixed Indoor Units (continued).

Connected Indoor Units	Combination Capacity Index	Outdoor Air Temp.		Indoor Air Temp. °F DB												
		°F DB	°F WB	61		64		68		70		72		75		
				TC	PI	TC	PI	TC	PI	TC	PI	TC	PI	TC	PI	
Four (4) Mixed Indoor Units	7 + 12 + 12 + 15	-4	-4.4	7.85	1.97	7.50	2.05	7.16	2.08	7.11	2.09	7.06	2.10	6.72	2.18	
		0	-0.4	11.39	2.01	10.63	2.08	10.52	2.12	10.38	2.14	10.27	2.15	9.83	2.23	
		5	4.5	15.60	2.05	14.84	2.12	14.50	2.17	14.28	2.19	14.09	2.21	13.52	2.29	
		10	9	18.42	2.09	17.66	2.16	17.18	2.21	16.88	2.24	16.65	2.27	15.99	2.34	
		17	15	21.52	2.14	20.77	2.21	20.11	2.27	19.75	2.31	19.46	2.34	18.71	2.41	
		20	19	23.40	2.17	22.65	2.24	21.89	2.32	21.49	2.36	21.16	2.39	20.36	2.46	
		25	23	26.54	2.24	25.75	2.30	24.86	2.39	24.38	2.44	24.01	2.47	23.11	2.54	
		30	28	29.70	2.31	28.78	2.38	27.79	2.46	27.28	2.51	26.87	2.56	25.89	2.62	
		35	32	32.86	2.38	31.81	2.47	30.73	2.53	30.18	2.59	29.74	2.64	28.66	2.70	
		40	36	34.53	2.45	33.56	2.54	32.49	2.61	31.93	2.66	31.48	2.71	30.34	2.78	
		45	41	36.63	2.54	35.75	2.62	34.70	2.70	34.12	2.75	33.66	2.79	32.44	2.87	
		47	43	37.47	2.57	36.63	2.66	35.58	2.74	35.00	2.79	34.53	2.83	33.28	2.91	
		50	46	37.58	2.56	36.82	2.63	35.91	2.71	35.39	2.75	34.97	2.78	33.79	2.86	
		55	51	37.76	2.53	37.13	2.59	36.45	2.65	36.03	2.68	35.69	2.71	34.64	2.77	
		60	56	37.94	2.50	37.45	2.55	36.99	2.60	36.67	2.62	36.42	2.63	35.49	2.67	
		63	59	38.05	2.49	37.64	2.53	37.31	2.56	37.06	2.58	36.85	2.59	36.00	2.62	
		68	64	38.16	2.47	37.83	2.50	37.64	2.53	37.45	2.54	37.29	2.54	36.51	2.56	
		7 + 7 + 9 + 24*	7 + 7 + 9 + 24*	-4	-4.4	7.85	1.97	7.50	2.05	7.16	2.08	7.11	2.09	7.06	2.10	6.72
	0	-0.4		11.39	2.01	10.63	2.08	10.52	2.12	10.38	2.14	10.27	2.15	9.83	2.23	
	5	4.5		15.60	2.05	14.84	2.12	14.50	2.17	14.28	2.19	14.09	2.21	13.52	2.29	
	10	9		18.42	2.09	17.66	2.16	17.18	2.21	16.88	2.24	16.65	2.27	15.99	2.34	
	17	15		21.52	2.14	20.77	2.21	20.11	2.27	19.75	2.31	19.46	2.34	18.71	2.41	
	20	19		23.40	2.17	22.65	2.24	21.89	2.32	21.49	2.36	21.16	2.39	20.36	2.46	
	25	23		26.54	2.24	25.75	2.30	24.86	2.39	24.38	2.44	24.01	2.47	23.11	2.54	
	30	28		29.70	2.31	28.78	2.38	27.79	2.46	27.28	2.51	26.87	2.56	25.89	2.62	
	35	32		32.86	2.38	31.81	2.47	30.73	2.53	30.18	2.59	29.74	2.64	28.66	2.70	
	40	36		34.53	2.45	33.56	2.54	32.49	2.61	31.93	2.66	31.48	2.71	30.34	2.78	
	45	41		36.63	2.54	35.75	2.62	34.70	2.70	34.12	2.75	33.66	2.79	32.44	2.87	
	47	43		37.47	2.57	36.63	2.66	35.58	2.74	35.00	2.79	34.53	2.83	33.28	2.91	
	50	46		37.58	2.56	36.82	2.63	35.91	2.71	35.39	2.75	34.97	2.78	33.79	2.86	
	55	51		37.76	2.53	37.13	2.59	36.45	2.65	36.03	2.68	35.69	2.71	34.64	2.77	
	60	56		37.94	2.50	37.45	2.55	36.99	2.60	36.67	2.62	36.42	2.63	35.49	2.67	
	63	59		38.05	2.49	37.64	2.53	37.31	2.56	37.06	2.58	36.85	2.59	36.00	2.62	
	68	64		38.16	2.47	37.83	2.50	37.64	2.53	37.45	2.54	37.29	2.54	36.51	2.56	
	7 + 7 + 15 + 18	7 + 7 + 15 + 18		-4	-4.4	7.85	1.97	7.50	2.05	7.16	2.08	7.11	2.09	7.06	2.10	6.72
	0		-0.4	11.39	2.01	10.63	2.08	10.52	2.12	10.38	2.14	10.27	2.15	9.83	2.23	
	5		4.5	15.60	2.05	14.84	2.12	14.50	2.17	14.28	2.19	14.09	2.21	13.52	2.29	
	10		9	18.42	2.09	17.66	2.16	17.18	2.21	16.88	2.24	16.65	2.27	15.99	2.34	
	17		15	21.52	2.14	20.77	2.21	20.11	2.27	19.75	2.31	19.46	2.34	18.71	2.41	
	20		19	23.40	2.17	22.65	2.24	21.89	2.32	21.49	2.36	21.16	2.39	20.36	2.46	
	25		23	26.54	2.24	25.75	2.30	24.86	2.39	24.38	2.44	24.01	2.47	23.11	2.54	
	30		28	29.70	2.31	28.78	2.38	27.79	2.46	27.28	2.51	26.87	2.56	25.89	2.62	
	35		32	32.86	2.38	31.81	2.47	30.73	2.53	30.18	2.59	29.74	2.64	28.66	2.70	
	40		36	34.53	2.45	33.56	2.54	32.49	2.61	31.93	2.66	31.48	2.71	30.34	2.78	
	45		41	36.63	2.54	35.75	2.62	34.70	2.70	34.12	2.75	33.66	2.79	32.44	2.87	
	47		43	37.47	2.57	36.63	2.66	35.58	2.74	35.00	2.79	34.53	2.83	33.28	2.91	
	50		46	37.58	2.56	36.82	2.63	35.91	2.71	35.39	2.75	34.97	2.78	33.79	2.86	
	55		51	37.76	2.53	37.13	2.59	36.45	2.65	36.03	2.68	35.69	2.71	34.64	2.77	
60	56		37.94	2.50	37.45	2.55	36.99	2.60	36.67	2.62	36.42	2.63	35.49	2.67		
63	59		38.05	2.49	37.64	2.53	37.31	2.56	37.06	2.58	36.85	2.59	36.00	2.62		
68	64		38.16	2.47	37.83	2.50	37.64	2.53	37.45	2.54	37.29	2.54	36.51	2.56		

TC = Total Capacity (kBtu/h).

PI = Power Input (kW).

Nominal capacity as rated: 0 ft. above sea level with 25 ft. of refrigerant piping.
0 ft. level difference between outdoor and indoor units.

Nominal heating capacity rating obtained with air entering the indoor unit at 70°F dry bulb (DB) and 60°F wet bulb (WB), and outdoor ambient conditions of 47°F dry bulb (DB) and 43°F wet bulb (WB).

*The indoor unit must be non-ducted type.

PERFORMANCE DATA

Heating Capacity Tables

MULTI F
MULTI F MAX

Table 271: LMU36CHV Heating Capacity Table — Mixed Indoor Units (continued).

Connected Indoor Units	Combination Capacity Index	Outdoor Air Temp.		Indoor Air Temp. °F DB											
		°F DB	°F WB	61		64		68		70		72		75	
				TC	PI	TC	PI	TC	PI	TC	PI	TC	PI	TC	PI
Four (4) Mixed Indoor Units	9 + 9 + 12 + 18	-4	-4.4	7.85	1.97	7.50	2.05	7.16	2.08	7.11	2.09	7.06	2.10	6.72	2.18
		0	-0.4	11.39	2.01	10.63	2.08	10.52	2.12	10.38	2.14	10.27	2.15	9.83	2.23
		5	4.5	15.60	2.05	14.84	2.12	14.50	2.17	14.28	2.19	14.09	2.21	13.52	2.29
		10	9	18.42	2.09	17.66	2.16	17.18	2.21	16.88	2.24	16.65	2.27	15.99	2.34
		17	15	21.52	2.14	20.77	2.21	20.11	2.27	19.75	2.31	19.46	2.34	18.71	2.41
		20	19	23.40	2.17	22.65	2.24	21.89	2.32	21.49	2.36	21.16	2.39	20.36	2.46
		25	23	26.54	2.24	25.75	2.30	24.86	2.39	24.38	2.44	24.01	2.47	23.11	2.54
		30	28	29.70	2.31	28.78	2.38	27.79	2.46	27.28	2.51	26.87	2.56	25.89	2.62
		35	32	32.86	2.38	31.81	2.47	30.73	2.53	30.18	2.59	29.74	2.64	28.66	2.70
		40	36	34.53	2.45	33.56	2.54	32.49	2.61	31.93	2.66	31.48	2.71	30.34	2.78
		45	41	36.63	2.54	35.75	2.62	34.70	2.70	34.12	2.75	33.66	2.79	32.44	2.87
		47	43	37.47	2.57	36.63	2.66	35.58	2.74	35.00	2.79	34.53	2.83	33.28	2.91
		50	46	37.58	2.56	36.82	2.63	35.91	2.71	35.39	2.75	34.97	2.78	33.79	2.86
		55	51	37.76	2.53	37.13	2.59	36.45	2.65	36.03	2.68	35.69	2.71	34.64	2.77
		60	56	37.94	2.50	37.45	2.55	36.99	2.60	36.67	2.62	36.42	2.63	35.49	2.67
		63	59	38.05	2.49	37.64	2.53	37.31	2.56	37.06	2.58	36.85	2.59	36.00	2.62
		68	64	38.16	2.47	37.83	2.50	37.64	2.53	37.45	2.54	37.29	2.54	36.51	2.56
		9 + 9 + 15 + 15	-4	-4.4	7.85	1.97	7.50	2.05	7.16	2.08	7.11	2.09	7.06	2.10	6.72
	0		-0.4	11.39	2.01	10.63	2.08	10.52	2.12	10.38	2.14	10.27	2.15	9.83	2.23
	5		4.5	15.60	2.05	14.84	2.12	14.50	2.17	14.28	2.19	14.09	2.21	13.52	2.29
	10		9	18.42	2.09	17.66	2.16	17.18	2.21	16.88	2.24	16.65	2.27	15.99	2.34
	17		15	21.52	2.14	20.77	2.21	20.11	2.27	19.75	2.31	19.46	2.34	18.71	2.41
	20		19	23.40	2.17	22.65	2.24	21.89	2.32	21.49	2.36	21.16	2.39	20.36	2.46
	25		23	26.54	2.24	25.75	2.30	24.86	2.39	24.38	2.44	24.01	2.47	23.11	2.54
	30		28	29.70	2.31	28.78	2.38	27.79	2.46	27.28	2.51	26.87	2.56	25.89	2.62
	35		32	32.86	2.38	31.81	2.47	30.73	2.53	30.18	2.59	29.74	2.64	28.66	2.70
	40		36	34.53	2.45	33.56	2.54	32.49	2.61	31.93	2.66	31.48	2.71	30.34	2.78
	45		41	36.63	2.54	35.75	2.62	34.70	2.70	34.12	2.75	33.66	2.79	32.44	2.87
	47		43	37.47	2.57	36.63	2.66	35.58	2.74	35.00	2.79	34.53	2.83	33.28	2.91
	50		46	37.58	2.56	36.82	2.63	35.91	2.71	35.39	2.75	34.97	2.78	33.79	2.86
	55		51	37.76	2.53	37.13	2.59	36.45	2.65	36.03	2.68	35.69	2.71	34.64	2.77
	60		56	37.94	2.50	37.45	2.55	36.99	2.60	36.67	2.62	36.42	2.63	35.49	2.67
	63		59	38.05	2.49	37.64	2.53	37.31	2.56	37.06	2.58	36.85	2.59	36.00	2.62
	68		64	38.16	2.47	37.83	2.50	37.64	2.53	37.45	2.54	37.29	2.54	36.51	2.56
	12 + 12 + 12 + 12		-4	-4.4	7.85	1.97	7.50	2.05	7.16	2.08	7.11	2.09	7.06	2.10	6.72
		0	-0.4	11.39	2.01	10.63	2.08	10.52	2.12	10.38	2.14	10.27	2.15	9.83	2.23
		5	4.5	15.60	2.05	14.84	2.12	14.50	2.17	14.28	2.19	14.09	2.21	13.52	2.29
		10	9	18.42	2.09	17.66	2.16	17.18	2.21	16.88	2.24	16.65	2.27	15.99	2.34
		17	15	21.52	2.14	20.77	2.21	20.11	2.27	19.75	2.31	19.46	2.34	18.71	2.41
		20	19	23.40	2.17	22.65	2.24	21.89	2.32	21.49	2.36	21.16	2.39	20.36	2.46
		25	23	26.54	2.24	25.75	2.30	24.86	2.39	24.38	2.44	24.01	2.47	23.11	2.54
		30	28	29.70	2.31	28.78	2.38	27.79	2.46	27.28	2.51	26.87	2.56	25.89	2.62
		35	32	32.86	2.38	31.81	2.47	30.73	2.53	30.18	2.59	29.74	2.64	28.66	2.70
		40	36	34.53	2.45	33.56	2.54	32.49	2.61	31.93	2.66	31.48	2.71	30.34	2.78
		45	41	36.63	2.54	35.75	2.62	34.70	2.70	34.12	2.75	33.66	2.79	32.44	2.87
		47	43	37.47	2.57	36.63	2.66	35.58	2.74	35.00	2.79	34.53	2.83	33.28	2.91
		50	46	37.58	2.56	36.82	2.63	35.91	2.71	35.39	2.75	34.97	2.78	33.79	2.86
		55	51	37.76	2.53	37.13	2.59	36.45	2.65	36.03	2.68	35.69	2.71	34.64	2.77
60		56	37.94	2.50	37.45	2.55	36.99	2.60	36.67	2.62	36.42	2.63	35.49	2.67	
63		59	38.05	2.49	37.64	2.53	37.31	2.56	37.06	2.58	36.85	2.59	36.00	2.62	
68		64	38.16	2.47	37.83	2.50	37.64	2.53	37.45	2.54	37.29	2.54	36.51	2.56	

TC = Total Capacity (kBtu/h).

PI = Power Input (kW).

Nominal capacity as rated: 0 ft. above sea level with 25 ft. of refrigerant piping.
0 ft. level difference between outdoor and indoor units.

Nominal heating capacity rating obtained with air entering the indoor unit at 70°F dry bulb (DB) and 60°F wet bulb (WB), and outdoor ambient conditions of 47°F dry bulb (DB) and 43°F wet bulb (WB).

Multi F and Multi F MAX Heat Pump System Engineering Manual

Electrical Data

Table 272: Electrical Data.

Nominal Tons	Unit Model No.	Hertz	Voltage	Voltage Range (Min. to Max.)	MCA	MOP	Compressor Quantity	Compressor Motor RLA	Outdoor Fan Motor		Indoor Fan Motor
									kW	FLA	FLA
1.5	LMU18CHV	60	208 - 230	187 - 253	13.3	20	1	8.9	0.09	0.59	1.60
2	LMU24CHV				14.3	20	1	9.4	0.09	0.59	2.00
3	LMU36CHV				17.9	25	1	11.2	0.12	0.73	3.20

Voltage tolerance is ±10%.

Maximum allowable voltage unbalance is 2%.

RLA = Rated Load Amps.

MCA = Minimum Circuit Ampacity.

Maximum Overcurrent Protection (MOP) is calculated as follows:
(Largest motor FLA x 2.25) + (Sum of other motor FLA) rounded down to the nearest standard fuse size.

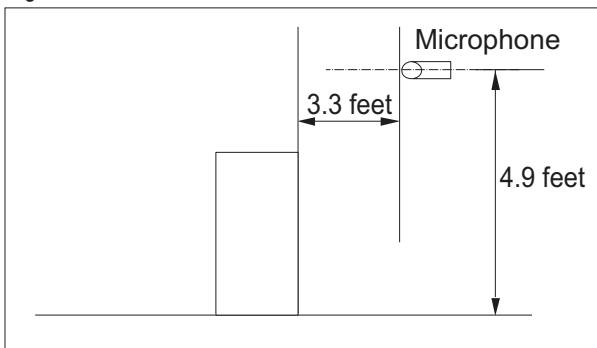
Indoor Fan Motor (FLA) is based on the maximum combination of indoor units.

The max combination for each outdoor unit is:

- 18,000 ODU (LMU18CHV): 12,000 IDU x 2
- 24,000 ODU (LMU24CHV): 12,000 IDU x 2 + 9,000 IDU x 1
- 36,000 ODU (LMU36CHV): 12,000 IDU x 4

Acoustic Data

Figure 9: Acoustic Measurement Location.

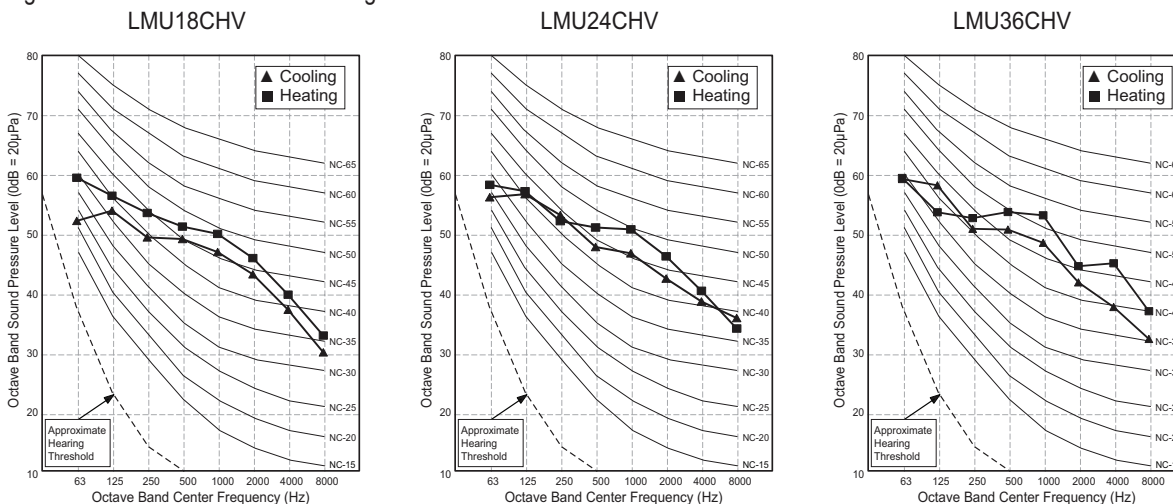


- Measurement taken 4.9' above finished floor, and at a distance of 3.3' from face of unit.
- Measurements taken with no attenuation and units operating at full load normal operating condition.
- Sound level will vary depending on a range of factors such as construction (acoustic absorption coefficient) of particular area in which the equipment is installed.
- Sound level may be increased in static pressure mode or if air guide is used.
- Sound pressure levels are measured in dB(A)±3.
- Tested in anechoic chamber per ISO Standard 3745.

Table 273: Sound Pressure Levels (dB[A]).

Model No.	Sound Pressure Level (dB[A])	
	Cooling	Heating
LMU18CHV	49	52
LMU24CHV	49	52
LMU36CHV	52	55

Figure 10: Sound Pressure Level Diagrams.



MULTI F OUTDOOR UNIT

Refrigerant Flow Diagram

MULTI F
MULTI F MAX

Figure 11: LMU18CHV Refrigerant Flow Diagram.

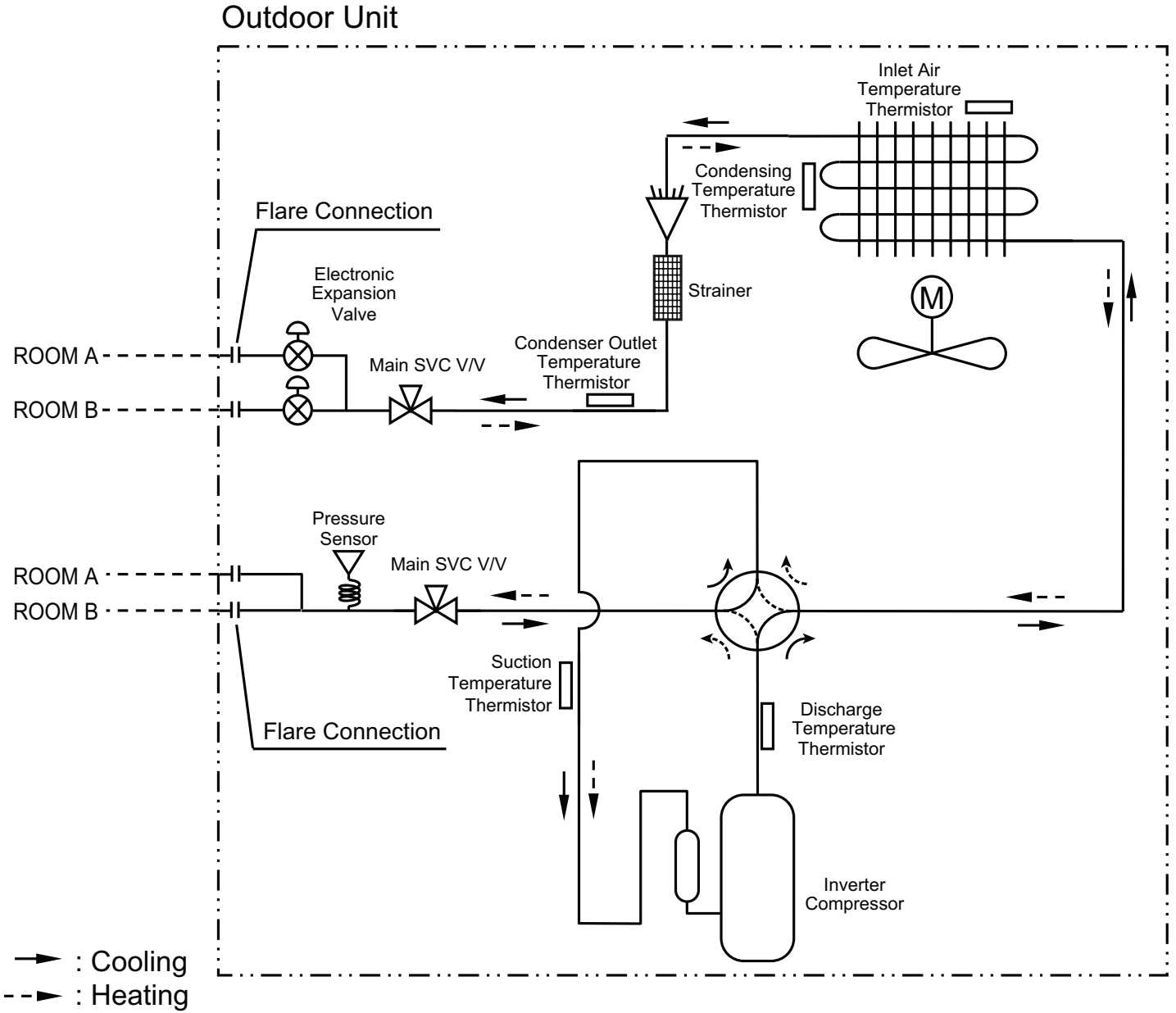


Table 274: LMU18CHV Thermistor Details.

Description	PCB Connector
Condenser Outlet Temperature Thermistor	CN_C/PIPE
Condensing Temperature Thermistor	CN_MID
Inlet Air Temperature Thermistor	CN_AIR
Discharge Temperature Thermistor	CN_DISCHARGE
Suction Temperature Thermistor	CN_SUCTION
Pressure Sensor	CN_H/PRESS

Figure 12: LMU24CHV Refrigerant Flow Diagram.

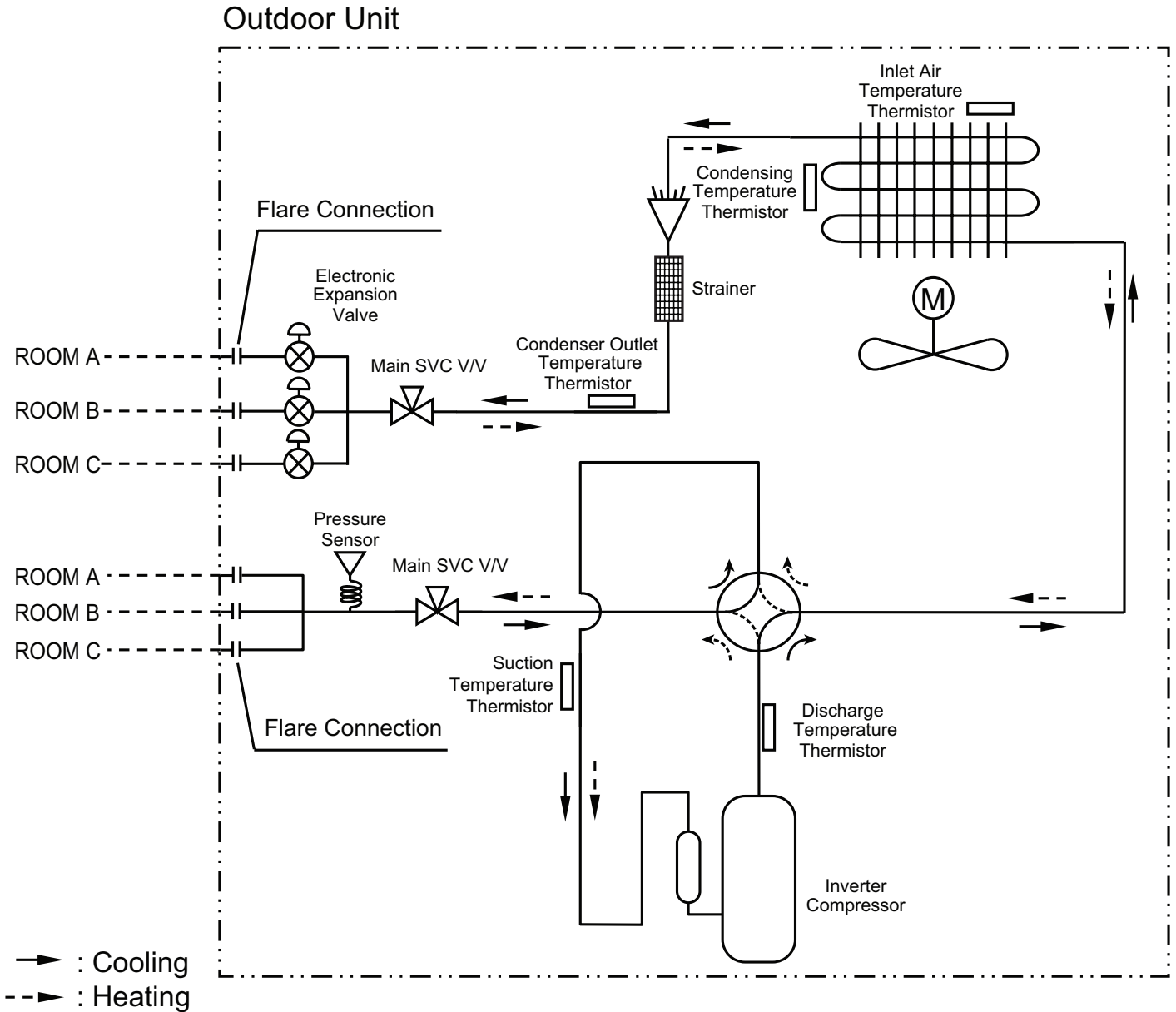


Table 275: LMU24CHV Thermistor Details.

Description	PCB Connector
Condenser Outlet Temperature Thermistor	CN_C/PIPE
Condensing Temperature Thermistor	CN_MID
Inlet Air Temperature Thermistor	CN_AIR
Discharge Temperature Thermistor	CN_DISCHARGE
Suction Temperature Thermistor	CN_SUCTION
Pressure Sensor	CN_H/PRESS

MULTI F OUTDOOR UNIT

Refrigerant Flow Diagram

MULTI F
MULTI F MAX

Figure 13: LMU36CHV Refrigerant Flow Diagram.

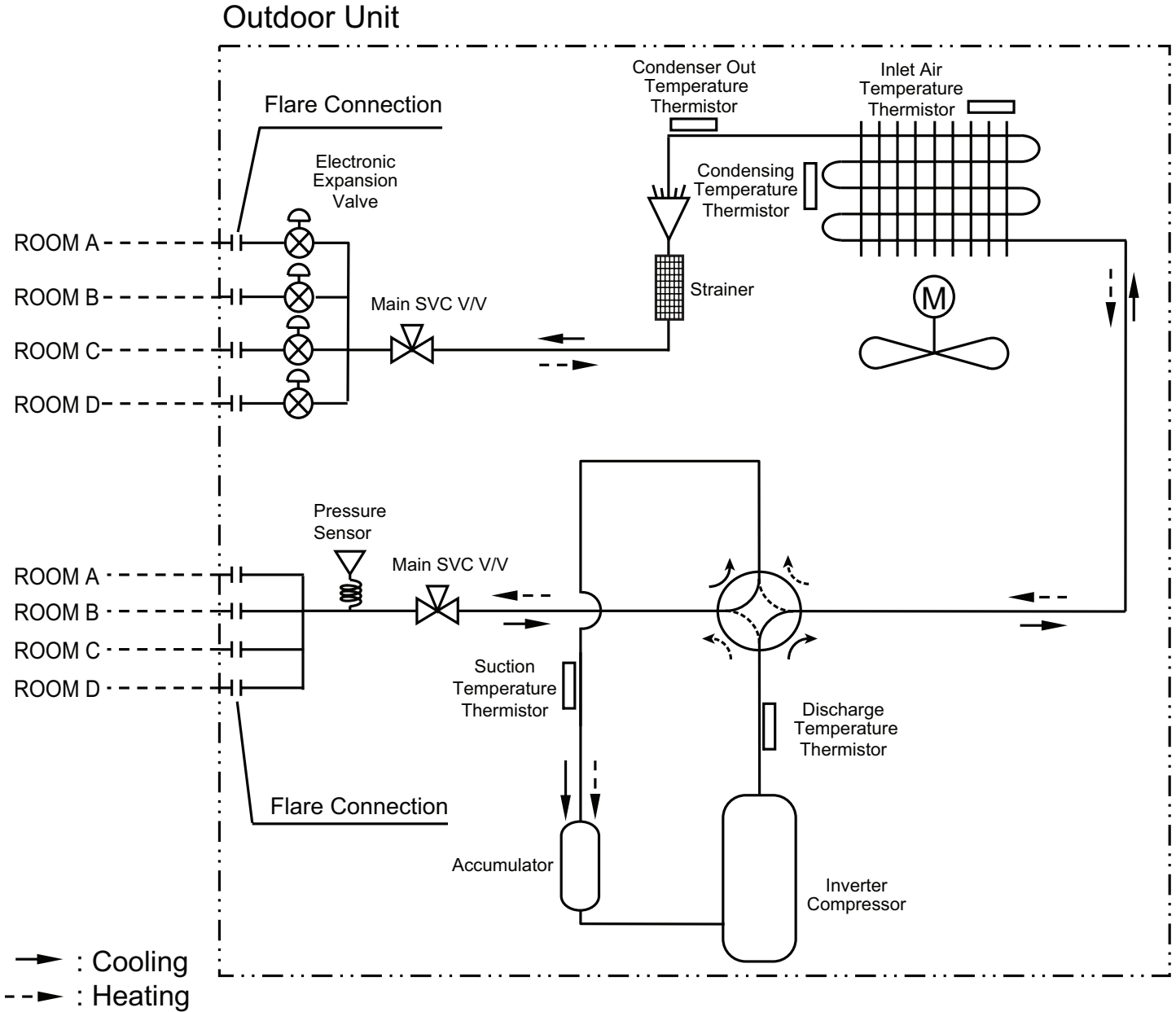
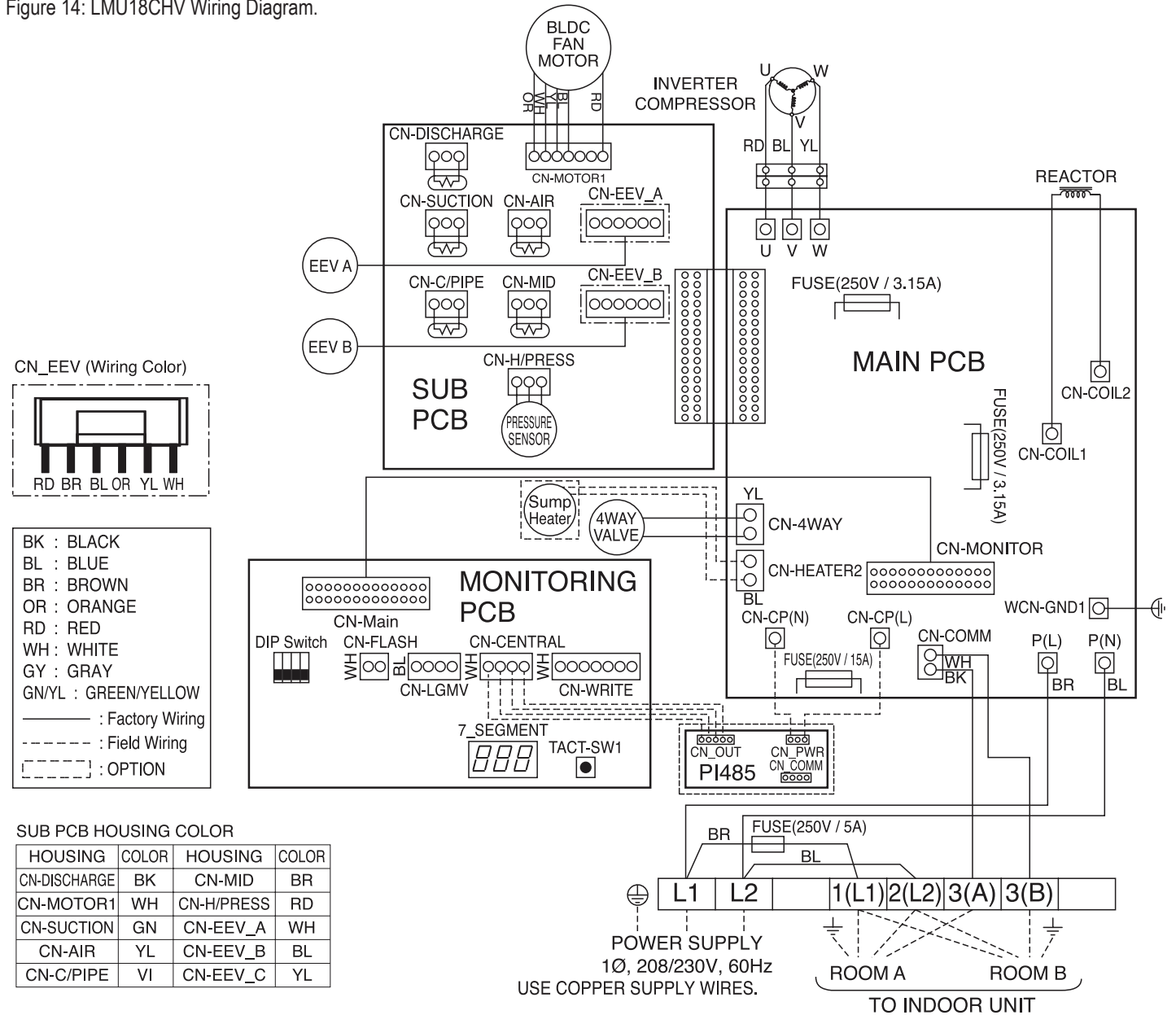


Table 276: LMU36CHV Thermistor Details.

Description	PCB Connector
Condensing Temperature Thermistor	CN_TH4
Condenser Outlet Temperature Thermistor	CN_TH2
Inlet Air Temperature Thermistor	
Discharge Temperature Thermistor	CN_TH3
Suction Temperature Thermistor	
Pressure Sensor	CN_TH1

Figure 14: LMU18CHV Wiring Diagram.



MULTI F OUTDOOR UNIT

Wiring Diagram

MULTI F
MULTI F MAX

Figure 15: LMU24CHV Wiring Diagram.

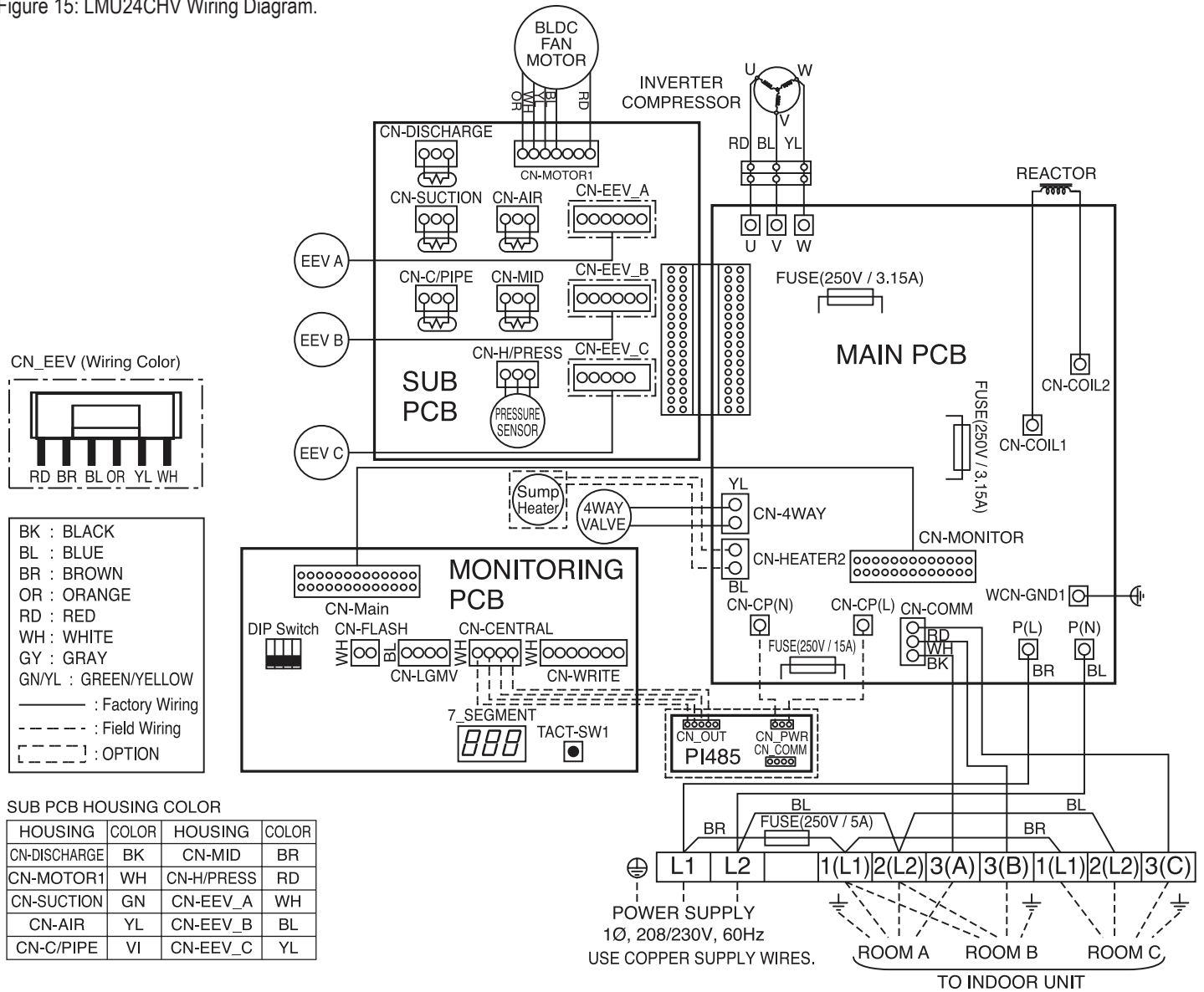
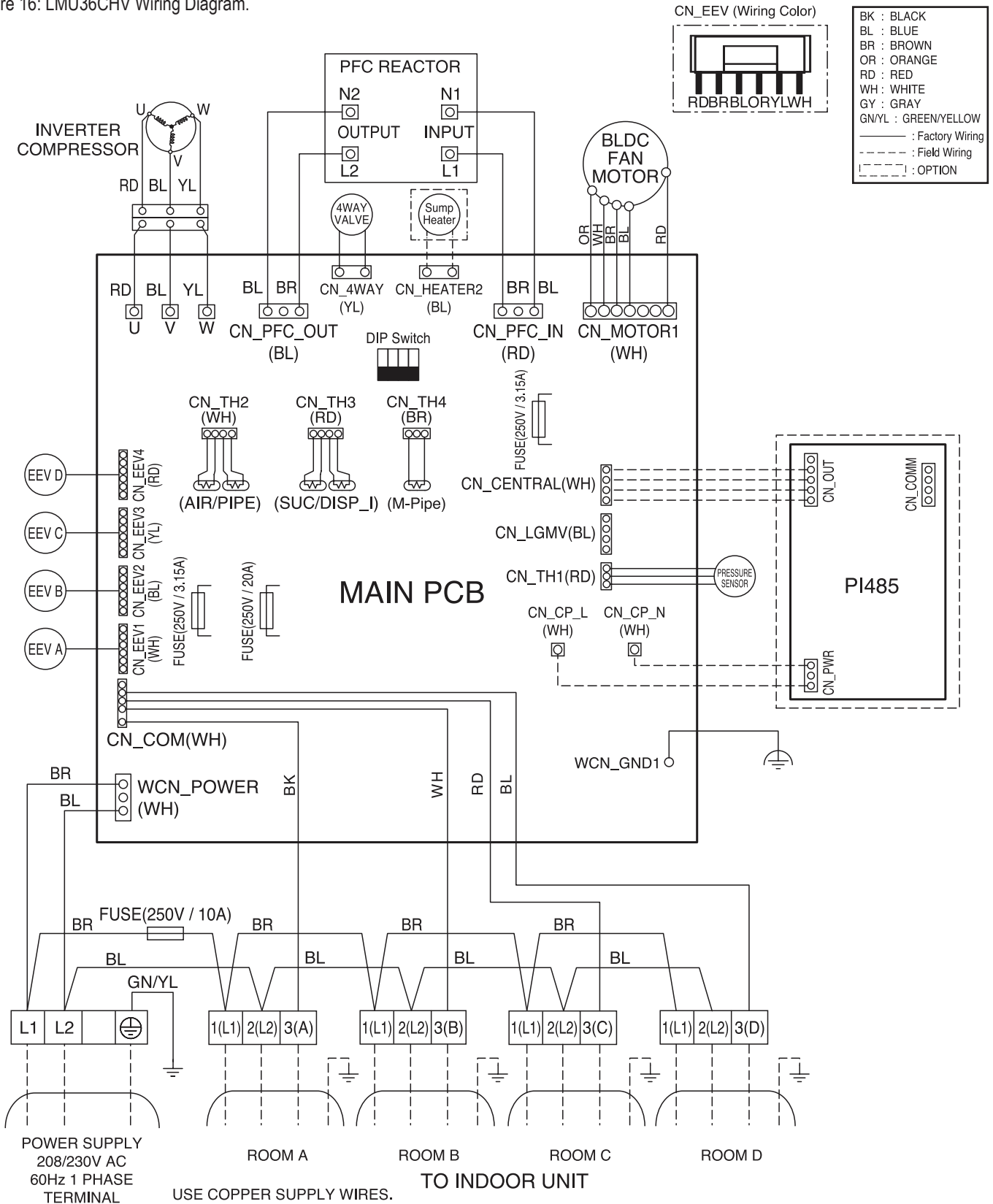


Figure 16: LMU36CHV Wiring Diagram.



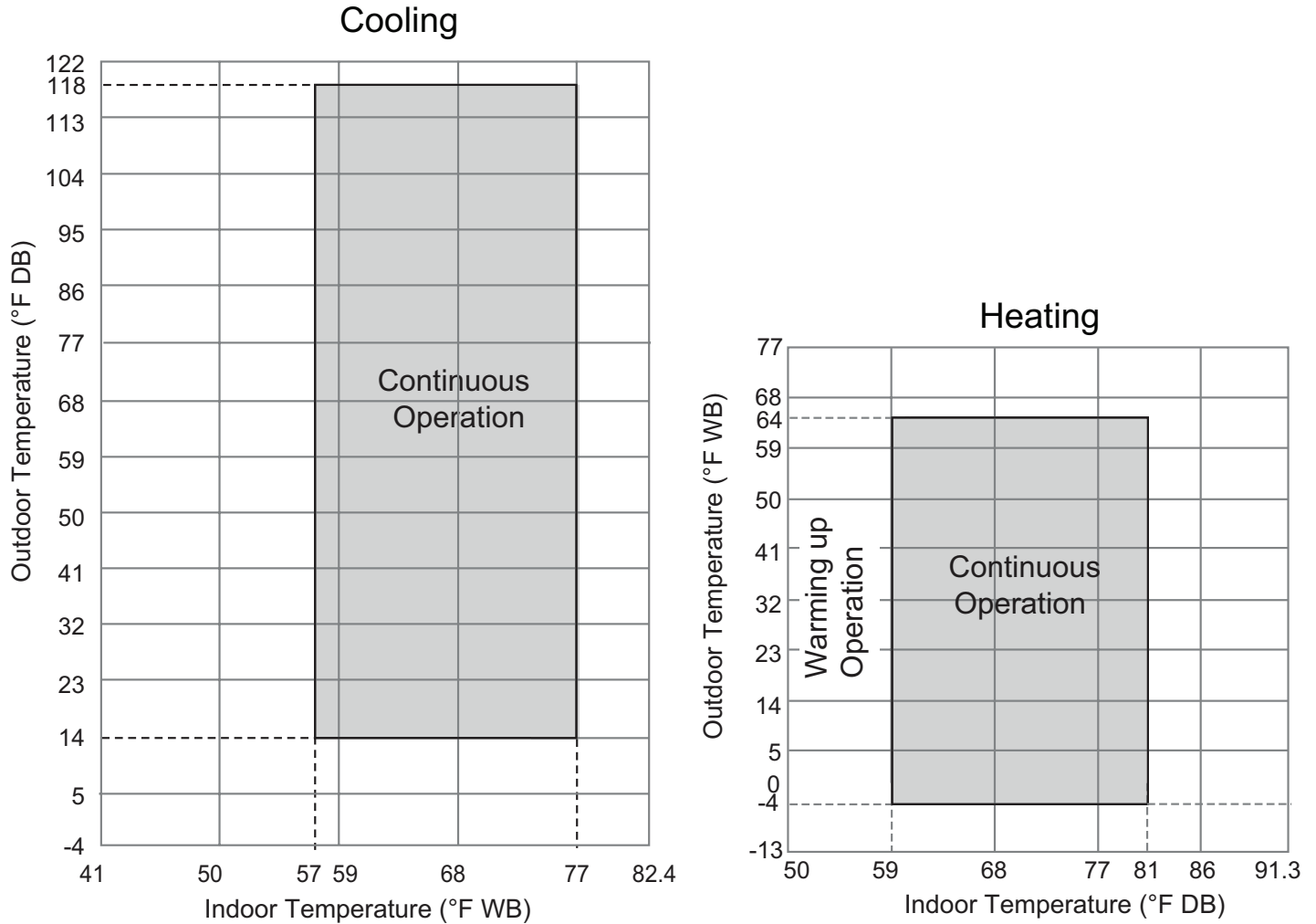
Multi F Outdoor Unit Data

MULTI F OUTDOOR UNIT

Operation Range

MULTI F
MULTI F MAX

Figure 17: Cooling and Heating Operation Ranges.



Note:

Cooling operation range can extend down to -4 °F outdoor temperature if Low Ambient Kit is installed (sold separately).

MULTI F MAX OUTDOOR UNIT DATA

“Product Features and Benefits” on page 288

“Mechanical Specifications” on page 289

“General Data” on page 290

“Dimensions” on page 292

“Rated Cooling Combination Tables” on page 293

“Rated Heating Combination Tables” on page 296

“Cooling Capacity Tables ” on page 299

“Heating Capacity Tables” on page 316

“Electrical Data” on page 327

“Acoustic Data” on page 327

“Refrigerant Flow Diagrams” on page 328

“Wiring Diagrams” on page 329

“Operation Range” on page 330

MULTI F MAX OUTDOOR UNIT

Features and Benefits

MULTI F
MULTI F MAX

Multi F MAX inverter-driven heat pump systems can operate up to eight indoor units, providing cooling or heating for an entire home and zoning capabilities. Compact refrigerant pipes work in tandem with wiring to link the outdoor unit with all indoor units through a single or pair of branch distribution (BD) unit(s). Most indoor units include its own remote control, allowing the user to set the temperature individually in different rooms. The indoor units are available in a variety of capacities and styles, including Art Cool™ Mirror and Gallery Wall Mount, Standard Wall Mount, Four-Way Ceiling Cassette, Horizontal Ceiling Concealed Duct, and Vertical-Horizontal Air Handling models.

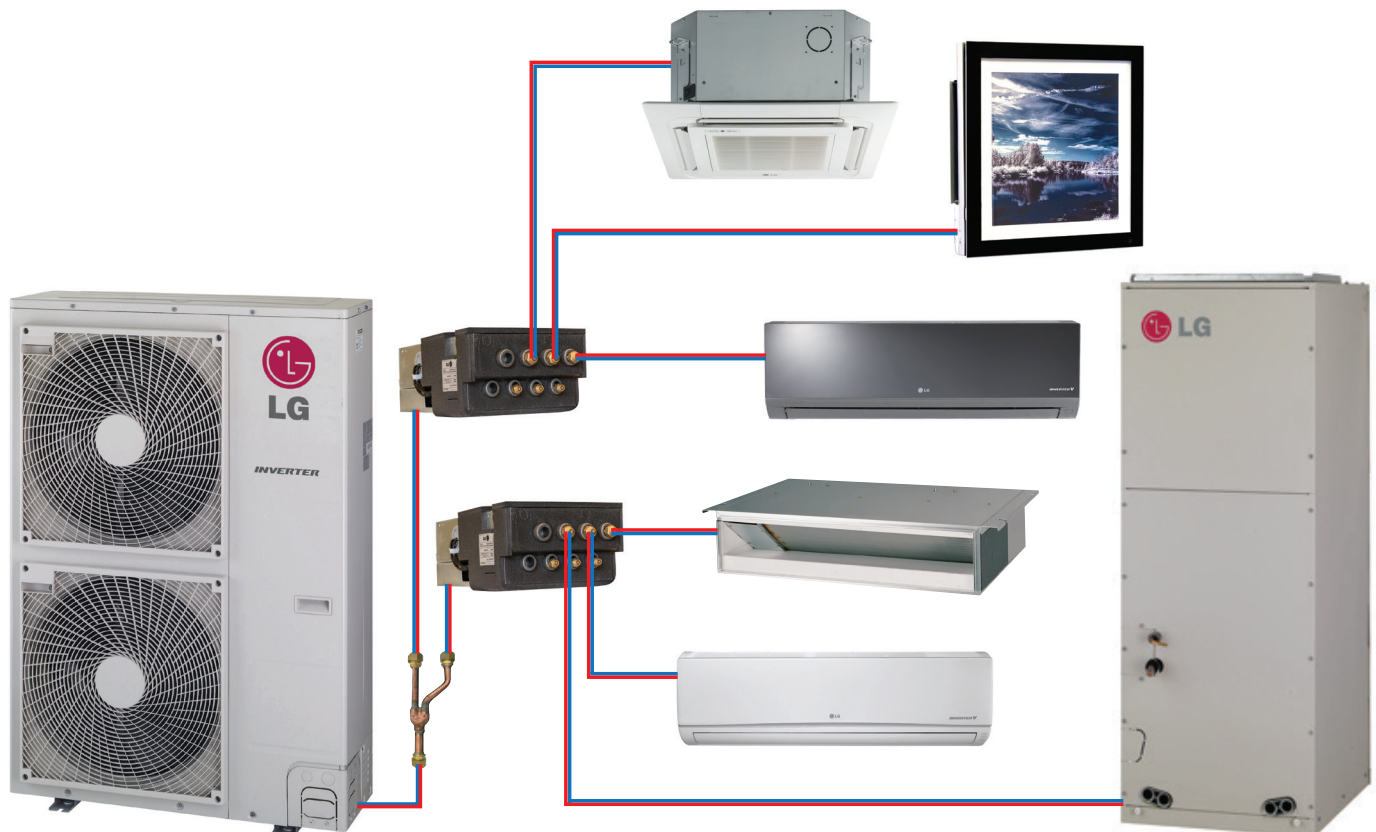
Features

- Advanced climate control for up to eight (8) zones
- Inverter (Variable speed compressor)
- DC inverter technology – load matches to reduce power consumption
- Low ambient operation to 14°F (DB, Cooling)
- Optional low ambient baffle kit allows cooling operation down to -4°F (DB)
- Heating operation down to -4°F (WB)
- Defrost
- Restart delay (three [3] minutes)
- Self diagnosis
- Soft start
- Auto operation / auto restart operation
- Gold Fin™ anti-corrosion

Benefits

- Refrigerant piping lengths allow for extra design flexibility in indoor unit installation
- Easy installation: Little to no ductwork required; most indoor units can mount on any wall
- Indoor unit and outdoor unit dimensions ensure space saving convenience
- All-season use—heat pump models have both cooling and heating capabilities

Figure 18: Multi F MAX Heat Pump Inverter System — Mix and match for 24,000-73,000 Btu/h.



Multi F MAX Heat Pump Condensing Units

General

A Multi F MAX multi-zone system is comprised of one heat pump outdoor unit connected up to eight indoor units through a branch distribution unit (BD) using a single refrigerant piping circuit, and includes integrated controls supplied by LG. Factory-designed and supplied Y-branches may be used as well.

The outdoor unit is internally assembled, wired, and piped from the factory; all LG components are manufactured in a facility registered to ISO 9001 and ISO 14001, set by the International Organization for Standardization (ISO). The LG Multi F MAX multi-zone heat pump system components comply with Underwriters Laboratories (UL) 1995 Heating and Cooling Equipment Standard for Safety, and bear the Electrical Testing Laboratories (ETL) mark. The units are certified to AHRI 210 / 240.

Temperature Ranges

The heat pump outdoor units are capable of operating in cooling mode from 14°F to 118°F ambient dry bulb (installing an optional Low Ambient Wind Baffle Kit will allow operation down to -4°F in cooling mode for all Multi F systems). The heat pump outdoor units are capable of operating in heating mode from -4°F to +64°F ambient wet bulb without additional low ambient controls.

Frame

Multi F MAX condensing unit case is constructed from pre-coated metal that has been tested in accordance with ASTM B-117 salt spray procedure for a minimum of 1,000 hours. Case has a removable front panel to allow access to major components and control devices, and legs to secure the unit during installation.

Refrigerant System

Multi F MAX systems have a single refrigerant circuit field piped with a manufacturer-supplied BD unit(s) and Y-branches (if applicable) to multiple (ducted, non-ducted or mixed) indoor units to effectively and efficiently control the heating or cooling operation of the multi zone system. All refrigerant lines from the outdoor unit to the BD unit(s) and from the BD unit(s) to indoor units are field-installed and must be insulated separately.

Multi F MAX systems use R410A refrigerant. The outdoor units are equipped with a refrigerant strainer, check valves, oil separator, accumulator, four-way reversing valve, electronic expansion valve(s) (EEV), high side and low side refrigerant charging ports, and a service port. The outdoor unit also includes sensors for suction temperature, discharge temperature, high-pressure, low-pressure, heat exchanger temperature, and outdoor temperature conditions.

Refrigeration Oil Control

The outdoor unit has an oil separator to separate oil mixed with the refrigerant gas during compression and return oil to the compressor. The outdoor unit also has an oil injection mechanism to ensure a consistent film of oil on all moving compressor parts at low speed.

Figure 19: Multi F MAX LMU540HV Outdoor Unit.



Compressor

Multi F condensing units are equipped with one hermetically sealed, digitally controlled, inverter driven twin-rotary compressor that includes Teflon™ coated bearings. The inverter motor is capable of providing a modulation range of 20Hz to 100Hz with control in 1Hz increments. The compressor is protected with phase-reversal protection, uses a factory-charge of Polyvinyl Ether (PVE) oil, and is mounted to avoid the transmission of vibration. Compressor in the Multi F MAX outdoor unit is equipped with a hot gas bypass valve.

Fan and Motors

The Multi F MAX outdoor unit includes two direct drive variable speed propeller fans with Brushless Digitally Controlled (BLDC) motor with a horizontal air discharge.

Fan blades are statically and dynamically balanced propeller fans made of durable Acrylonitrile Butadiene Styrene (ABS) plastic, and include a raised fan guard to limit contact with moving parts. The motors have inherent overload protection, permanently lubricated bearings, and a maximum speed up to 950 rpm. Multi F MAX outdoor unit has a horizontal discharge airflow.

Outdoor Unit Coil

The outdoor unit coils are factory-built of aluminum fins mechanically bonded on copper tubing. Coils have a minimum of two rows, a minimum of 14 fins per inch, and have been factory pressure-tested.

Coil fins also have a factory applied corrosion-resistant GoldFin™ material with hydrophilic coating that has been tested in accordance with ASTM B-117 salt spray test procedure for a minimum of 1,000 hours.

Electrical

Multi F MAX outdoor unit shall be 208/230V, 1 phase, 60Hz electrical power capable of operating within ±10% of the rated voltage.

Controls

Factory installed microprocessor controls in the outdoor unit, BD unit(s), and indoor units shall perform functions to efficiently operate the multi zone system. System wiring must be installed in a tree configuration from outdoor unit to BD unit(s) to indoor units through four conductor power/transmission cable. The system is capable of performing continuous operation, even when power is turned off to an individual indoor unit.

MULTI F MAX OUTDOOR UNIT

General Data

MULTI F
MULTI F MAX

Table 277: Multi F MAX Outdoor Unit General Data.

Model Number	LMU540HV
Rated Cooling Capacity (Btu/h) ¹	52,500
Rated Heating Capacity (Btu/h) ¹	58,000
Operating Range	
Cooling (°F DB)	14 ⁶ - 118
Heating (°F WB)	-4 - 64
Compressor	
Inverter Quantity	Twin Rotary x 1
Oil/Type	FVC68D
Fan (Side Discharge)	
Type	Propeller
Motor Output (W) x Qty.	124.2 x 2
Motor/Drive	Brushless Digitally Controlled/Direct
Maximum Air Volume (CFM)	2,119 x 2
Unit Data	
Refrigerant Type	R410A
Refrigerant Control/Location	EEV / Outdoor Unit, Branch Distribution Unit
Min. Number Indoor Units/System ²	2
Max. Number Indoor Units/System ²	8
Maximum Allowable Total Indoor Unit Connected Capacity (Btu/h)	73,000
Sound Pressure ± 3 dB(A) ³ (Cooling / Heating)	54 / 56
Net Unit Weight (lbs.)	214
Shipping Weight (lbs.)	236
Power Wiring / Communication Cables ⁴ (No. x AWG)	4 x 16
Heat Exchanger	
Material and Fin Coating	Copper Tube / Aluminum Fin and GoldFin™/Hydrophilic
Rows/Columns/Fins per inch x Qty.	(2 x 32 x 14) x 2
Piping	
Liquid Line Connection (in., OD) x Qty.	3/8 x 1
Vapor Line Connection (in., OD) x Qty.	3/4 x 1
Factory Charge lbs. of R410A	9.7
Piping Lengths	
Maximum Total System Piping (ft.) ⁵	475.7
Maximum Main Pipe Length (Outdoor Unit to Branch Distribution Unit [ft.])	180.4
Total Branch Piping (Branch Distribution Units to all Indoor Units [ft.])	295.3
Maximum Branch Pipe Length (Length between each BDU and IDU [ft.])	49.2
Maximum Outdoor Unit to Indoor Unit Pipe Length (ft.)	229.6
Piping Length (No Additional Refrigerant [ft.]; approx. 16 ft. of Main Piping + 131 ft. of Branch Piping)	147.6
Maximum Elevation between Outdoor Unit and Indoor Unit (ft.)	98.4
Maximum Elevation between Indoor Unit and Indoor Unit (ft.)	49.2
Maximum Elevation between Branch Distribution Unit and Indoor Unit (ft.)	32.8
Maximum Elevation between Branch Distribution Unit and Branch Distribution Unit (ft.)	49.2

¹Rated capacity applied with non-ducted indoor units, and is rated 0 ft. above sea level with a 0 ft. level difference between outdoor and indoor units. All capacities are net with a combination ratio between 95 – 105%.

Rated cooling capacity obtained with air entering the indoor unit at 80°F dry bulb (DB) and 67°F wet bulb (WB) and outdoor ambient conditions of 95°F dry bulb (DB) and 75°F wet bulb (WB).
Rated heating capacity obtained with air entering the indoor unit at 70°F dry bulb (DB) and 60°F wet bulb (WB) and outdoor ambient conditions of 47°F dry bulb (DB) and 43°F wet bulb (WB).

²At least one Branch Distribution Unit is required for system operation; a maximum of two can be installed per outdoor unit with use of Y-branch accessory (PMBL5620). At least two indoor units should be connected. For allocated capacity information, see the combination tables on pages 131 to 136.

³Sound pressure levels are tested in an anechoic chamber under ISO Standard 3745. These values can increase due to ambient conditions during operation.

⁴All power wiring / communication cable to be minimum 16 AWG from the outdoor unit to the BD unit, and 18 AWG from the BD unit to the indoor unit, stranded, shielded, and must comply with applicable local and national codes. For detailed electrical information, please refer to electric characteristics on page 165.

⁵Piping lengths are equivalent.

⁶Installation of an optional Low Ambient Wind Baffle Kit will allow operation down to -4°F in cooling mode.

Table 278: LMU540HV Efficiency Ratings.^{1,2}

System	Combined With	Rated Cooling Capacity (Btu/h)	EER (95°F)	SEER	Rated Heating Capacity (Btu/h)	COP (47°F)	HSPF	Low Heating Capacity (Btu/h)	COP (17°F)	Energy Star
LMU540HV	Non-Ducted Indoor Units	52,500	10.3	18.4	58,000	3.1	8.7	36,600	2.6	Yes
	Ducted Indoor Units	51,000	10.0	15.8	58,000	3.0	8.3	38,500	2.6	No
	Mixed Non-Ducted and Ducted Indoor Units	51,750	10.15	17.1	58,000	3.1	8.5	37,550	2.6	No

¹Rated capacity is rated 0 ft. above sea level with Piping Length as Main pipe (16.4 ft.) + Branch pipe (98.4 ft.) = 115 ft., and a 0 ft. level difference between outdoor and indoor units. All capacities are net with a combination ratio between 95 – 105%.

Rated cooling capacity rating obtained with air entering the indoor unit at 80°F dry bulb (DB) and 67°F wet bulb (WB) and outdoor ambient conditions of 95°F dry bulb (DB) and 75°F wet bulb (WB).

Rated heating capacity rating obtained with air entering the indoor unit at 70°F dry bulb (DB) and 60°F wet bulb (WB) and outdoor ambient conditions of 47°F dry bulb (DB) and 43°F wet bulb (WB).

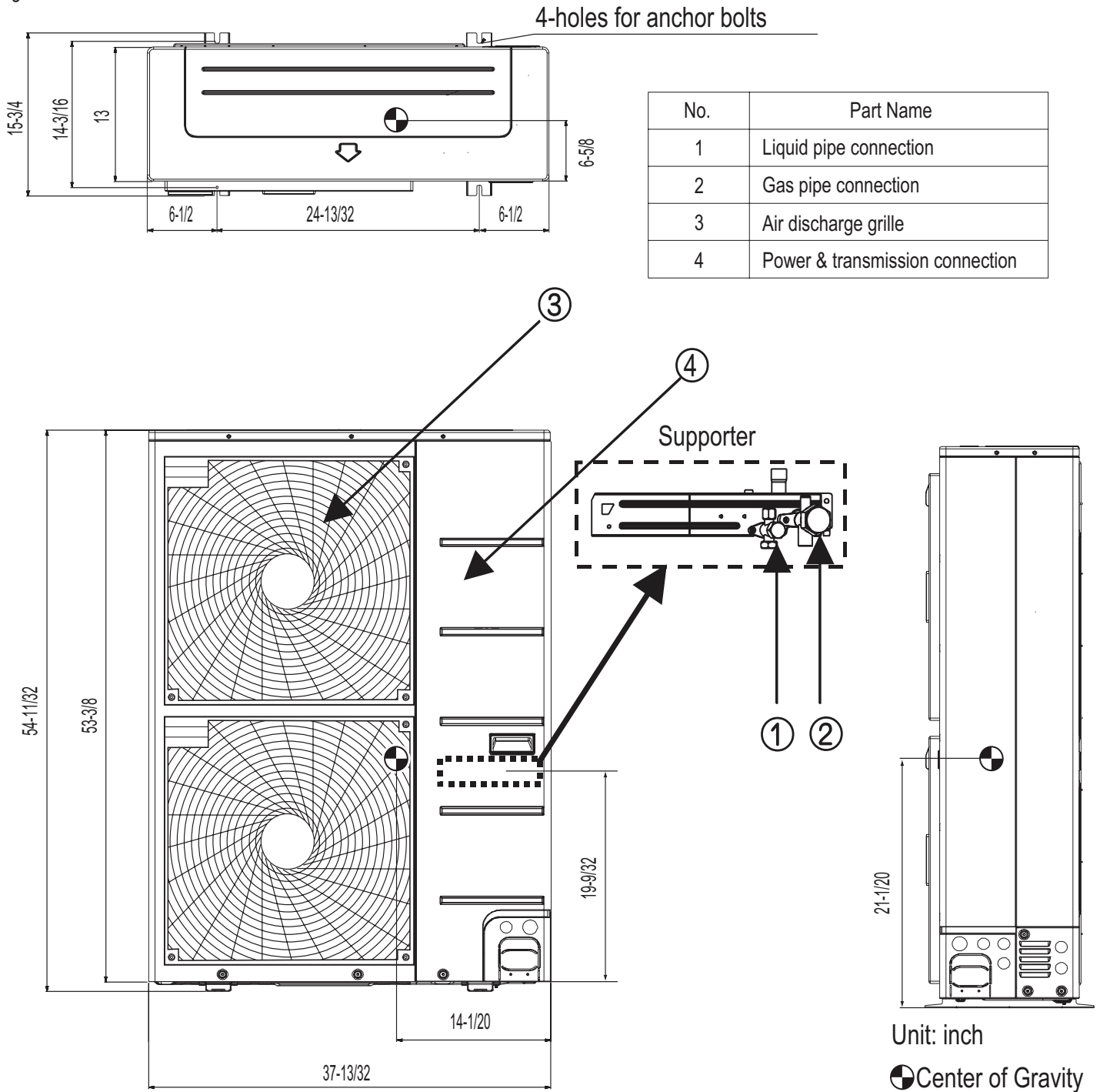
²Rated capacity is certified under AHRI Standard 210 / 240. EER, IEER, COP, and HSPF are subject to change. See www.ahrinet.org for the latest values.

MULTI F MAX OUTDOOR UNIT

Dimensions

MULTI F
MULTI F MAX

Figure 20: LMU540HV External Dimensions.



The individual indoor unit capacity can be calculated based on the outdoor unit Rated capacity as follows.¹

$$\text{Individual Indoor Unit Combination Capacity (Qidu [Comb])} = \frac{\text{Outdoor Unit Rated Capacity (Qodu [Rated])} \times \text{Individual Indoor Unit Rated Capacity (Qidu [Rated])}{\text{Total Connected Indoor Unit Rated Capacity } (\sum \text{Qidu [Rated]})}$$

¹To calculate the individual IDU capacity based on ODU Corrected capacity, replace (Qodu [Rated]) with (Qodu [Corrected]) where (Qodu [Corrected]) is obtained from the capacity tables referencing design conditions.

Table 279: LMU540HV with Non-Ducted Indoor Units — Rated Cooling Combination Table.

Total Indoor Unit Capacity (kBtu/h)	Cooling Capacity						Input (W)			EER	SEER
	Minimum		Rated		Maximum		Minimum	Rated	Maximum		
	Btu/h	kW	Btu/h	kW	Btu/h	kW					
24	14,000	4.10	23,333	6.84	25,813	7.57	1,000	1,550	2,336	15.10	19.6
25	14,583	4.27	24,306	7.12	26,889	7.88	1,168	1,668	2,433	14.60	19.5
26	15,167	4.45	25,278	7.41	27,964	8.20	1,251	1,786	2,530	14.10	19.5
27	15,750	4.62	26,250	7.69	29,040	8.51	1,333	1,905	2,628	13.80	19.4
28	16,333	4.79	27,222	7.98	30,116	8.83	1,517	2,023	2,725	13.50	19.4
29	16,917	4.96	28,194	8.26	31,191	9.14	1,606	2,141	2,822	13.20	19.4
30	17,500	5.13	29,167	8.55	32,267	9.46	1,695	2,259	2,919	12.90	19.3
31	18,083	5.30	30,139	8.83	33,342	9.77	1,855	2,378	3,017	12.70	19.3
32	18,667	5.47	31,111	9.12	34,418	10.09	1,947	2,496	3,114	12.50	19.3
33	19,250	5.64	32,083	9.40	35,493	10.40	2,039	2,614	3,211	12.30	19.2
34	19,833	5.81	33,056	9.69	36,569	10.72	2,131	2,732	3,309	12.10	19.2
35	20,417	5.98	34,028	9.97	37,644	11.03	2,280	2,851	3,406	11.90	19.1
36	21,000	6.15	35,000	10.26	38,720	11.35	2,375	2,969	3,503	11.80	19.1
37	21,583	6.33	35,972	10.54	39,796	11.66	2,470	3,087	3,601	11.70	19.1
38	22,167	6.50	36,944	10.83	40,871	11.98	2,564	3,205	3,698	11.50	19.0
39	22,750	6.67	37,917	11.11	41,947	12.29	2,659	3,324	3,795	11.40	19.0
40	23,333	6.84	38,889	11.40	43,022	12.61	2,753	3,442	3,893	11.30	18.9
41	23,917	7.01	39,861	11.68	44,098	12.92	2,848	3,560	3,990	11.20	18.9
42	24,500	7.18	40,833	11.97	45,173	13.24	2,943	3,678	4,087	11.10	18.9
43	25,083	7.35	41,806	12.25	46,249	13.55	3,037	3,796	4,185	11.00	18.8
44	25,667	7.52	42,778	12.54	47,324	13.87	3,132	3,915	4,282	10.90	18.8
45	26,250	7.69	43,750	12.82	48,400	14.19	3,226	4,033	4,379	10.80	18.7
46	26,833	7.86	44,722	13.11	49,476	14.50	3,321	4,151	4,476	10.80	18.7
47	27,417	8.04	45,694	13.39	50,551	14.82	3,415	4,269	4,574	10.70	18.7
48	28,000	8.21	46,667	13.68	51,627	15.13	3,510	4,388	4,671	10.60	18.6
49	28,583	8.38	47,639	13.96	52,702	15.45	3,605	4,506	4,768	10.60	18.6
50	29,167	8.55	48,611	14.25	53,778	15.76	3,699	4,624	4,866	10.50	18.6
51	29,750	8.72	49,583	14.53	54,853	16.08	3,794	4,742	4,963	10.50	18.5
52	30,333	8.89	50,556	14.82	55,929	16.39	3,888	4,861	5,060	10.40	18.5
53	30,917	9.06	51,528	15.10	57,004	16.71	3,983	4,979	5,158	10.30	18.4
54	31,500	9.23	52,500	15.39	58,080	17.02	4,078	5,097	5,255	10.30	18.4
55	31,892	9.35	52,666	15.44	58,349	17.10	4,102	5,128	5,287	10.30	18.3
56	32,285	9.46	52,832	15.48	58,619	17.18	4,127	5,159	5,319	10.20	18.2
57	32,677	9.58	52,997	15.53	58,888	17.26	4,152	5,190	5,351	10.20	18.1
58	33,069	9.69	53,163	15.58	59,158	17.34	4,176	5,221	5,382	10.20	18.0
59	33,462	9.81	53,329	15.63	59,427	17.42	4,201	5,252	5,414	10.20	17.9
60	33,854	9.92	53,495	15.68	59,697	17.50	4,226	5,282	5,446	10.10	17.8
61	34,247	10.04	53,661	15.73	59,966	17.58	4,251	5,313	5,478	10.10	17.7
62	34,639	10.15	53,826	15.78	60,236	17.65	4,275	5,344	5,510	10.10	17.6
63	35,031	10.27	53,992	15.82	60,505	17.73	4,300	5,375	5,542	10.00	17.5
64	35,424	10.38	54,158	15.87	60,775	17.81	4,325	5,406	5,573	10.00	17.4
65	35,816	10.50	54,324	15.92	61,044	17.89	4,350	5,437	5,605	10.00	17.3
66	36,208	10.61	54,489	15.97	61,314	17.97	4,374	5,468	5,637	10.00	17.2
67	36,601	10.73	54,655	16.02	61,583	18.05	4,399	5,499	5,669	9.90	17.1
68	36,993	10.84	54,821	16.07	61,853	18.13	4,424	5,530	5,701	9.90	17.0
69	37,386	10.96	54,987	16.12	62,122	18.21	4,448	5,561	5,733	9.90	16.9
70	37,778	11.07	55,153	16.16	62,392	18.29	4,473	5,591	5,764	9.90	16.9
71	38,170	11.19	55,318	16.21	62,661	18.36	4,498	5,622	5,796	9.80	16.8
72	38,563	11.30	55,484	16.26	62,931	18.44	4,523	5,653	5,828	9.80	16.7
73	38,955	11.42	55,650	16.31	63,200	18.52	4,547	5,684	5,860	9.80	16.6

¹Capacity as rated: 0 ft. above sea level with Piping Length as Main Pipe (16.4 ft.) + Branch pipe (98.4 ft.) = 115 ft.
0 ft. level difference between outdoor and indoor units.

²Cooling capacity rating obtained with air entering the indoor unit at 80°F dry bulb (DB) and 67°F wet bulb (WB), and outdoor ambient conditions of 95°F dry bulb (DB) and 75°F wet bulb (WB).

³Wiring cable size must comply with the applicable local and national codes.

⁴The specification may be subject to change without prior notice for purpose of improvement.

⁵Sum of connected indoor units capacity is 24~73 kBtu/h.

⁶At least two indoor units should be connected.

PERFORMANCE DATA

Rated Cooling Combination Tables

MULTI F
MULTI F MAX

Table 280: LMU540HV with Ducted Indoor Units — Rated Cooling Combination Table.

Total Indoor Unit Capacity (kBtu/h)	Cooling Capacity						Input (W)			EER	SEER
	Minimum		Rated		Maximum		Minimum	Rated	Maximum		
	Btu/h	kW	Btu/h	kW	Btu/h	kW					
24	13,600	3.99	22,667	6.64	25,076	7.35	1,000	1,550	2,337	14.60	18.3
25	14,167	4.15	23,611	6.92	26,121	7.66	1,168	1,668	2,434	14.20	18.1
26	14,733	4.32	24,556	7.20	27,165	7.96	1,251	1,787	2,532	13.70	18.1
27	15,300	4.48	25,500	7.47	28,210	8.27	1,334	1,905	2,629	13.40	18.0
28	15,867	4.65	26,444	7.75	29,255	8.57	1,518	2,023	2,726	13.10	17.9
29	16,433	4.82	27,389	8.03	30,300	8.88	1,606	2,142	2,824	12.80	17.8
30	17,000	4.98	28,333	8.30	31,345	9.19	1,695	2,260	2,921	12.50	17.7
31	17,567	5.15	29,278	8.58	32,390	9.49	1,855	2,378	3,019	12.30	17.7
32	18,133	5.31	30,222	8.86	33,434	9.80	1,947	2,497	3,116	12.10	17.6
33	18,700	5.48	31,167	9.13	34,479	10.11	2,040	2,615	3,213	11.90	17.5
34	19,267	5.65	32,111	9.41	35,524	10.41	2,132	2,733	3,311	11.70	17.4
35	19,833	5.81	33,056	9.69	36,569	10.72	2,281	2,852	3,408	11.60	17.3
36	20,400	5.98	34,000	9.96	37,614	11.02	2,376	2,970	3,505	11.40	17.3
37	20,967	6.14	34,944	10.24	38,659	11.33	2,471	3,088	3,603	11.30	17.2
38	21,533	6.31	35,889	10.52	39,703	11.64	2,565	3,207	3,700	11.20	17.1
39	22,100	6.48	36,833	10.80	40,748	11.94	2,660	3,325	3,798	11.10	17.0
40	22,667	6.64	37,778	11.07	41,793	12.25	2,755	3,443	3,895	11.00	16.9
41	23,233	6.81	38,722	11.35	42,838	12.56	2,849	3,562	3,992	10.90	16.8
42	23,800	6.98	39,667	11.63	43,883	12.86	2,944	3,680	4,090	10.80	16.8
43	24,367	7.14	40,611	11.90	44,927	13.17	3,039	3,798	4,187	10.70	16.7
44	24,933	7.31	41,556	12.18	45,972	13.47	3,133	3,917	4,284	10.60	16.6
45	25,500	7.47	42,500	12.46	47,017	13.78	3,228	4,035	4,382	10.50	16.5
46	26,067	7.64	43,444	12.73	48,062	14.09	3,323	4,153	4,479	10.50	16.4
47	26,633	7.81	44,389	13.01	49,107	14.39	3,417	4,272	4,576	10.40	16.4
48	27,200	7.97	45,333	13.29	50,152	14.70	3,512	4,390	4,674	10.30	16.3
49	27,767	8.14	46,278	13.56	51,196	15.00	3,607	4,508	4,771	10.30	16.2
50	28,333	8.30	47,222	13.84	52,241	15.31	3,701	4,627	4,869	10.20	16.1
51	28,900	8.47	48,167	14.12	53,286	15.62	3,796	4,745	4,966	10.20	16.0
52	29,467	8.64	49,111	14.39	54,331	15.92	3,891	4,863	5,063	10.10	16.0
53	30,033	8.80	50,056	14.67	55,376	16.23	3,985	4,982	5,161	10.00	15.9
54	30,600	8.97	51,000	14.95	56,421	16.54	4,080	5,100	5,258	10.00	15.8
55	30,981	9.08	51,161	14.99	56,777	16.64	4,105	5,131	5,290	10.00	15.8
56	31,362	9.19	51,322	15.04	57,134	16.75	4,129	5,161	5,321	9.90	15.8
57	31,743	9.30	51,483	15.09	57,491	16.85	4,154	5,192	5,353	9.90	15.8
58	32,125	9.42	51,644	15.14	57,848	16.95	4,178	5,223	5,385	9.90	15.8
59	32,506	9.53	51,805	15.18	58,205	17.06	4,203	5,254	5,416	9.90	15.8
60	32,887	9.64	51,966	15.23	58,561	17.16	4,228	5,284	5,448	9.80	15.8
61	33,268	9.75	52,127	15.28	58,918	17.27	4,252	5,315	5,480	9.80	15.8
62	33,649	9.86	52,288	15.32	59,275	17.37	4,277	5,346	5,512	9.80	15.8
63	34,030	9.97	52,449	15.37	59,632	17.48	4,301	5,377	5,543	9.80	15.8
64	34,412	10.09	52,611	15.42	59,989	17.58	4,326	5,407	5,575	9.70	15.8
65	34,793	10.20	52,772	15.47	60,346	17.69	4,351	5,438	5,607	9.70	15.8
66	35,174	10.31	52,933	15.51	60,702	17.79	4,375	5,469	5,638	9.70	15.8
67	35,555	10.42	53,094	15.56	61,059	17.90	4,400	5,500	5,670	9.70	15.8
68	35,936	10.53	53,255	15.61	61,416	18.00	4,424	5,530	5,702	9.60	15.8
69	36,317	10.64	53,416	15.66	61,773	18.10	4,449	5,561	5,733	9.60	15.8
70	36,699	10.76	53,577	15.70	62,130	18.21	4,474	5,592	5,765	9.60	15.8
71	37,080	10.87	53,738	15.75	62,486	18.31	4,498	5,623	5,797	9.60	15.8
72	37,461	10.98	53,899	15.80	62,843	18.42	4,523	5,653	5,828	9.50	15.8
73	37,842	11.09	54,060	15.84	63,200	18.52	4,547	5,684	5,860	9.50	15.8

¹Capacity as rated: 0 ft. above sea level with Piping Length as Main Pipe (16.4 ft.) + Branch pipe (98.4 ft.) = 115 ft.
0 ft. level difference between outdoor and indoor units.

²Cooling capacity rating obtained with air entering the indoor unit at 80°F dry bulb (DB) and 67°F wet bulb (WB), and outdoor ambient conditions of 95°F dry bulb (DB) and 75°F wet bulb (WB).

³Wiring cable size must comply with the applicable local and national codes.

⁴The specification may be subject to change without prior notice for purpose of improvement.

⁵Sum of connected indoor units capacity is 24~73 kBtu/h.

⁶At least two indoor units should be connected.

Multi F and Multi F MAX Heat Pump System Engineering Manual

Table 281: LMU540HV with Mixed Indoor Units — Rated Cooling Combination Table.

Total Indoor Unit Capacity (kBtu/h)	Cooling Capacity						Input (W)			EER	SEER
	Minimum		Rated		Maximum		Minimum	Rated	Maximum		
	Btu/h	kW	Btu/h	kW	Btu/h	kW					
24	13,800	4.04	23,000	6.74	25,445	7.46	1,000	1,550	2,336	14.85	19.0
25	14,375	4.21	23,958	7.02	26,505	7.77	1,168	1,668	2,434	14.40	18.8
26	14,950	4.38	24,917	7.30	27,565	8.08	1,251	1,787	2,531	13.90	18.8
27	15,525	4.55	25,875	7.58	28,625	8.39	1,333	1,905	2,628	13.60	18.7
28	16,100	4.72	26,833	7.86	29,685	8.70	1,517	2,023	2,726	13.30	18.7
29	16,675	4.89	27,792	8.15	30,746	9.01	1,606	2,141	2,823	13.00	18.6
30	17,250	5.06	28,750	8.43	31,806	9.32	1,695	2,260	2,920	12.70	18.5
31	17,825	5.22	29,708	8.71	32,866	9.63	1,855	2,378	3,018	12.50	18.5
32	18,400	5.39	30,667	8.99	33,926	9.94	1,947	2,496	3,115	12.30	18.4
33	18,975	5.56	31,625	9.27	34,986	10.25	2,039	2,615	3,212	12.10	18.4
34	19,550	5.73	32,583	9.55	36,046	10.56	2,132	2,733	3,310	11.90	18.3
35	20,125	5.90	33,542	9.83	37,107	10.88	2,281	2,851	3,407	11.75	18.2
36	20,700	6.07	34,500	10.11	38,167	11.19	2,376	2,969	3,504	11.60	18.2
37	21,275	6.24	35,458	10.39	39,227	11.50	2,470	3,088	3,602	11.50	18.1
38	21,850	6.40	36,417	10.67	40,287	11.81	2,565	3,206	3,699	11.35	18.1
39	22,425	6.57	37,375	10.95	41,347	12.12	2,659	3,324	3,796	11.25	18.0
40	23,000	6.74	38,333	11.23	42,408	12.43	2,754	3,443	3,894	11.15	17.9
41	23,575	6.91	39,292	11.52	43,468	12.74	2,849	3,561	3,991	11.05	17.9
42	24,150	7.08	40,250	11.80	44,528	13.05	2,943	3,679	4,088	10.95	17.8
43	24,725	7.25	41,208	12.08	45,588	13.36	3,038	3,797	4,186	10.85	17.8
44	25,300	7.42	42,167	12.36	46,648	13.67	3,133	3,916	4,283	10.75	17.7
45	25,875	7.58	43,125	12.64	47,709	13.98	3,227	4,034	4,380	10.65	17.6
46	26,450	7.75	44,083	12.92	48,769	14.29	3,322	4,152	4,478	10.65	17.6
47	27,025	7.92	45,042	13.20	49,829	14.60	3,416	4,271	4,575	10.55	17.5
48	27,600	8.09	46,000	13.48	50,889	14.91	3,511	4,389	4,672	10.45	17.5
49	28,175	8.26	46,958	13.76	51,949	15.23	3,606	4,507	4,770	10.45	17.4
50	28,750	8.43	47,917	14.04	53,010	15.54	3,700	4,625	4,867	10.35	17.3
51	29,325	8.59	48,875	14.32	54,070	15.85	3,795	4,744	4,965	10.35	17.3
52	29,900	8.76	49,833	14.61	55,130	16.16	3,890	4,862	5,062	10.25	17.2
53	30,475	8.93	50,792	14.89	56,190	16.47	3,984	4,980	5,159	10.15	17.2
54	31,050	9.10	51,750	15.17	57,250	16.78	4,079	5,099	5,257	10.15	17.1
55	31,625	9.27	52,708	15.45	58,310	17.09	4,173	5,217	5,354	10.15	17.1
56	32,200	9.44	53,667	15.73	59,370	17.40	4,267	5,335	5,451	10.05	17.0
57	32,775	9.61	54,625	16.01	60,430	17.71	4,361	5,456	5,548	10.05	17.0
58	33,350	9.78	55,583	16.29	61,490	18.02	4,455	5,577	5,645	10.05	16.9
59	33,925	9.95	56,542	16.57	62,550	18.33	4,549	5,698	5,742	10.05	16.9
60	34,500	10.12	57,500	16.85	63,610	18.64	4,643	5,819	5,839	9.95	16.8
61	35,075	10.29	58,458	17.13	64,670	18.95	4,737	5,940	5,936	9.95	16.8
62	35,650	10.46	59,417	17.41	65,730	19.26	4,831	6,061	6,033	9.95	16.7
63	36,225	10.63	60,375	17.69	66,790	19.57	4,925	6,182	6,130	9.95	16.7
64	36,800	10.80	61,333	17.97	67,850	19.88	5,019	6,303	6,227	9.85	16.6
65	37,375	10.97	62,292	18.25	68,910	20.19	5,113	6,424	6,324	9.85	16.6
66	37,950	11.14	63,250	18.53	69,970	20.50	5,207	6,545	6,421	9.85	16.5
67	38,525	11.31	64,208	18.81	71,030	20.81	5,301	6,666	6,518	9.85	16.5
68	39,100	11.48	65,167	19.09	72,090	21.12	5,395	6,787	6,615	9.75	16.4
69	39,675	11.65	66,125	19.37	73,150	21.43	5,489	6,908	6,712	9.75	16.4
70	40,250	11.82	67,083	19.65	74,210	21.74	5,583	7,029	6,809	9.75	16.3
71	40,825	12.00	68,042	19.93	75,270	22.05	5,677	7,150	6,906	9.75	16.3
72	41,400	12.17	69,000	20.21	76,330	22.36	5,771	7,271	7,003	9.65	16.2
73	41,975	12.34	69,958	20.49	77,390	22.67	5,865	7,392	7,100	9.65	16.2

Multi F MAX Outdoor Unit Data

¹Capacity as rated: 0 ft. above sea level with Piping Length as Main Pipe (16.4 ft.) + Branch pipe (98.4 ft.) = 115 ft.
0 ft. level difference between outdoor and indoor units.

²Cooling capacity rating obtained with air entering the indoor unit at 80°F dry bulb (DB) and 67°F wet bulb (WB), and outdoor ambient conditions of 95°F dry bulb (DB) and 75°F wet bulb (WB).

³Wiring cable size must comply with the applicable local and national codes.

⁴The specification may be subject to change without prior notice for purpose of improvement.

⁵Sum of connected indoor units capacity is 24-73 kBtu/h.

⁶At least two indoor units should be connected.

PERFORMANCE DATA

Rated Heating Combination Tables

MULTI F
MULTI F MAX

Table 282: LMU540HV with Non-Ducted Indoor Units — Rated Heating Combination Table.

Total Indoor Unit Capacity (kBtu/h)	Heating Capacity						Input (W)			COP	HSPF
	Minimum		Rated		Maximum		Minimum	Rated	Maximum		
	Btu/h	kW	Btu/h	kW	Btu/h	kW					
24	15,467	4.53	25,778	7.56	27,067	7.93	1,490	2,161	2,474	3.50	10.3
25	16,111	4.72	26,852	7.87	28,194	8.26	1,588	2,268	2,578	3.50	10.2
26	16,756	4.91	27,926	8.18	29,322	8.59	1,664	2,376	2,681	3.40	10.1
27	17,400	5.10	29,000	8.50	30,450	8.92	1,739	2,484	2,784	3.40	10.1
28	18,044	5.29	30,074	8.81	31,578	9.25	1,944	2,592	2,887	3.40	10.0
29	18,689	5.48	31,148	9.13	32,706	9.59	2,025	2,700	2,990	3.40	10.0
30	19,333	5.67	32,222	9.44	33,833	9.92	2,106	2,808	3,093	3.40	9.9
31	19,978	5.86	33,296	9.76	34,961	10.25	2,275	2,916	3,196	3.30	9.9
32	20,622	6.04	34,370	10.07	36,089	10.58	2,359	3,024	3,299	3.30	9.8
33	21,267	6.23	35,444	10.39	37,217	10.91	2,443	3,132	3,402	3.30	9.8
34	21,911	6.42	36,519	10.70	38,344	11.24	2,527	3,240	3,505	3.30	9.7
35	22,556	6.61	37,593	11.02	39,472	11.57	2,679	3,348	3,609	3.30	9.7
36	23,200	6.80	38,667	11.33	40,600	11.90	2,765	3,456	3,712	3.30	9.6
37	23,844	6.99	39,741	11.65	41,728	12.23	2,851	3,564	3,815	3.30	9.6
38	24,489	7.18	40,815	11.96	42,856	12.56	2,938	3,672	3,918	3.30	9.5
39	25,133	7.37	41,889	12.28	43,983	12.89	3,024	3,780	4,021	3.20	9.5
40	25,778	7.56	42,963	12.59	45,111	13.22	3,111	3,888	4,124	3.20	9.4
41	26,422	7.74	44,037	12.91	46,239	13.55	3,197	3,996	4,227	3.20	9.4
42	27,067	7.93	45,111	13.22	47,367	13.88	3,283	4,104	4,330	3.20	9.3
43	27,711	8.12	46,185	13.54	48,494	14.21	3,370	4,212	4,433	3.20	9.3
44	28,356	8.31	47,259	13.85	49,622	14.54	3,456	4,320	4,536	3.20	9.2
45	29,000	8.50	48,333	14.17	50,750	14.87	3,543	4,428	4,640	3.20	9.2
46	29,644	8.69	49,407	14.48	51,878	15.20	3,629	4,536	4,743	3.20	9.1
47	30,289	8.88	50,481	14.80	53,006	15.54	3,715	4,644	4,846	3.20	9.1
48	30,933	9.07	51,556	15.11	54,133	15.87	3,802	4,752	4,949	3.20	9.0
49	31,578	9.25	52,630	15.42	55,261	16.20	3,888	4,860	5,052	3.20	9.0
50	32,222	9.44	53,704	15.74	56,389	16.53	3,974	4,968	5,155	3.20	8.9
51	32,867	9.63	54,778	16.05	57,517	16.86	4,061	5,076	5,258	3.20	8.9
52	33,511	9.82	55,852	16.37	58,644	17.19	4,147	5,184	5,361	3.20	8.8
53	34,156	10.01	56,926	16.68	59,772	17.52	4,234	5,292	5,464	3.20	8.8
54	34,800	10.20	58,000	17.00	60,900	17.85	4,320	5,400	5,567	3.10	8.7
55	35,233	10.33	58,183	17.05	61,063	17.90	4,345	5,432	5,600	3.10	8.7
56	35,667	10.45	58,366	17.11	61,226	17.94	4,371	5,464	5,633	3.10	8.7
57	36,100	10.58	58,549	17.16	61,389	17.99	4,396	5,495	5,666	3.10	8.7
58	36,534	10.71	58,733	17.21	61,553	18.04	4,422	5,527	5,698	3.10	8.7
59	36,967	10.83	58,916	17.27	61,716	18.09	4,447	5,559	5,731	3.10	8.7
60	37,401	10.96	59,099	17.32	61,879	18.14	4,473	5,591	5,764	3.10	8.7
61	37,834	11.09	59,282	17.37	62,042	18.18	4,498	5,623	5,797	3.10	8.7
62	38,268	11.22	59,465	17.43	62,205	18.23	4,524	5,654	5,830	3.10	8.7
63	38,701	11.34	59,648	17.48	62,368	18.28	4,549	5,686	5,862	3.10	8.7
64	39,135	11.47	59,832	17.54	62,532	18.33	4,574	5,718	5,895	3.10	8.7
65	39,568	11.60	60,015	17.59	62,695	18.37	4,600	5,750	5,928	3.10	8.7
66	40,002	11.72	60,198	17.64	62,858	18.42	4,625	5,782	5,961	3.10	8.7
67	40,435	11.85	60,381	17.70	63,021	18.47	4,651	5,813	5,993	3.00	8.7
68	40,869	11.98	60,564	17.75	63,184	18.52	4,676	5,845	6,026	3.00	8.7
69	41,302	12.10	60,747	17.80	63,347	18.57	4,702	5,877	6,059	3.00	8.7
70	41,736	12.23	60,931	17.86	63,511	18.61	4,727	5,909	6,092	3.00	8.7
71	42,169	12.36	61,114	17.91	63,674	18.66	4,753	5,941	6,124	3.00	8.7
72	42,603	12.49	61,297	17.97	63,837	18.71	4,778	5,972	6,157	3.00	8.7
73	43,036	12.61	61,480	18.02	64,000	18.76	4,803	6,004	6,190	3.00	8.7

¹Capacity as rated: 0 ft. above sea level with Piping Length as Main Pipe (16.4 ft.) + Branch pipe (98.4 ft.) = 115 ft.
0 ft. level difference between outdoor and indoor units.

²Heating capacity rating obtained with air entering the indoor unit at 70°F dry bulb (DB) and 60°F wet bulb (WB), and outdoor ambient conditions of 47°F dry bulb (DB) and 43°F wet bulb (WB).

³Wiring cable size must comply with the applicable local and national codes.

⁴The specification may be subject to change without prior notice for purpose of improvement.

⁵Sum of connected indoor units capacity is 24-73 kBtu/h.

⁶At least two indoor units should be connected.



Multi F and Multi F MAX Heat Pump System Engineering Manual

Table 283: LMU540HV with Ducted Indoor Units — Rated Heating Combination Table.

Total Indoor Unit Capacity (kBtu/h)	Heating Capacity						Input (W)			COP	HSPF
	Minimum		Rated		Maximum		Minimum	Rated	Maximum		
	Btu/h	kW	Btu/h	kW	Btu/h	kW					
24	15,467	4.53	25,778	7.56	27,067	7.93	1,490	2,310	2,557	3.30	9.8
25	16,111	4.72	26,852	7.87	28,194	8.26	1,645	2,419	2,663	3.30	9.7
26	16,756	4.91	27,926	8.18	29,322	8.59	1,719	2,528	2,770	3.20	9.6
27	17,400	5.10	29,000	8.50	30,450	8.92	1,793	2,637	2,876	3.20	9.6
28	18,044	5.29	30,074	8.81	31,578	9.25	1,977	2,746	2,983	3.20	9.5
29	18,689	5.48	31,148	9.13	32,706	9.59	2,055	2,855	3,090	3.20	9.5
30	19,333	5.67	32,222	9.44	33,833	9.92	2,134	2,964	3,196	3.20	9.4
31	19,978	5.86	33,296	9.76	34,961	10.25	2,304	3,073	3,303	3.20	9.3
32	20,622	6.04	34,370	10.07	36,089	10.58	2,386	3,182	3,409	3.20	9.3
33	21,267	6.23	35,444	10.39	37,217	10.91	2,468	3,291	3,516	3.20	9.2
34	21,911	6.42	36,519	10.70	38,344	11.24	2,550	3,400	3,622	3.10	9.2
35	22,556	6.61	37,593	11.02	39,472	11.57	2,737	3,509	3,729	3.10	9.1
36	23,200	6.80	38,667	11.33	40,600	11.90	2,822	3,618	3,835	3.10	9.0
37	23,844	6.99	39,741	11.65	41,728	12.23	2,907	3,727	3,942	3.10	9.0
38	24,489	7.18	40,815	11.96	42,856	12.56	2,992	3,836	4,048	3.10	8.9
39	25,133	7.37	41,889	12.28	43,983	12.89	3,156	3,945	4,155	3.10	8.9
40	25,778	7.56	42,963	12.59	45,111	13.22	3,243	4,054	4,261	3.10	8.8
41	26,422	7.74	44,037	12.91	46,239	13.55	3,330	4,163	4,368	3.10	8.8
42	27,067	7.93	45,111	13.22	47,367	13.88	3,417	4,272	4,475	3.10	8.7
43	27,711	8.12	46,185	13.54	48,494	14.21	3,505	4,381	4,581	3.10	8.6
44	28,356	8.31	47,259	13.85	49,622	14.54	3,592	4,490	4,688	3.10	8.6
45	29,000	8.50	48,333	14.17	50,750	14.87	3,679	4,599	4,794	3.10	8.5
46	29,644	8.69	49,407	14.48	51,878	15.20	3,766	4,708	4,901	3.10	8.5
47	30,289	8.88	50,481	14.80	53,006	15.54	3,854	4,817	5,007	3.10	8.4
48	30,933	9.07	51,556	15.11	54,133	15.87	3,941	4,926	5,114	3.10	8.3
49	31,578	9.25	52,630	15.42	55,261	16.20	4,028	5,035	5,220	3.10	8.3
50	32,222	9.44	53,704	15.74	56,389	16.53	4,115	5,144	5,327	3.10	8.2
51	32,867	9.63	54,778	16.05	57,517	16.86	4,202	5,253	5,433	3.10	8.2
52	33,511	9.82	55,852	16.37	58,644	17.19	4,290	5,362	5,540	3.10	8.1
53	34,156	10.01	56,926	16.68	59,772	17.52	4,377	5,471	5,646	3.00	8.1
54	34,800	10.20	58,000	17.00	60,900	17.85	4,464	5,580	5,753	3.00	8.0
55	35,444	10.39	59,074	17.31	62,028	18.18	4,551	5,689	5,860	3.00	8.0
56	36,089	10.58	60,148	17.62	63,156	18.51	4,638	5,798	5,967	3.00	8.0
57	36,733	10.77	61,222	17.93	64,284	18.84	4,725	5,907	6,074	3.00	8.0
58	37,378	10.96	62,296	18.24	65,412	19.17	4,812	6,016	6,181	3.00	8.0
59	38,022	11.15	63,370	18.55	66,540	19.50	4,900	6,125	6,288	3.00	8.0
60	38,667	11.34	64,444	18.86	67,668	19.83	4,987	6,234	6,395	3.00	8.0
61	39,311	11.53	65,518	19.17	68,796	20.16	5,074	6,343	6,502	3.00	8.0
62	39,956	11.72	66,592	19.48	69,924	20.49	5,161	6,452	6,609	3.00	8.0
63	40,600	11.91	67,666	19.79	71,052	20.82	5,248	6,561	6,716	3.00	8.0
64	41,244	12.10	68,740	20.10	72,180	21.15	5,335	6,670	6,823	3.00	8.0
65	41,889	12.29	69,814	20.41	73,308	21.48	5,422	6,779	6,930	3.00	8.0
66	42,533	12.48	70,888	20.72	74,436	21.81	5,509	6,888	7,037	3.00	8.0
67	43,178	12.67	71,962	21.03	75,564	22.14	5,596	6,997	7,144	3.00	8.0
68	43,822	12.86	73,036	21.34	76,692	22.47	5,683	7,106	7,251	3.00	8.0
69	44,467	13.05	74,110	21.65	77,820	22.80	5,770	7,215	7,358	3.00	8.0
70	45,111	13.24	75,184	21.96	78,948	23.13	5,857	7,324	7,465	3.00	8.0
71	45,756	13.43	76,258	22.27	80,076	23.46	5,944	7,433	7,572	3.00	8.0
72	46,400	13.62	77,332	22.58	81,204	23.79	6,031	7,542	7,679	3.00	8.0
73	47,044	13.81	78,406	22.89	82,332	24.12	6,118	7,651	7,786	3.00	8.0

¹Capacity as rated: 0 ft. above sea level with Piping Length as Main Pipe (16.4 ft.) + Branch pipe (98.4 ft.) = 115 ft.
0 ft. level difference between outdoor and indoor units.

²Heating capacity rating obtained with air entering the indoor unit at 70°F dry bulb (DB) and 60°F wet bulb (WB), and outdoor ambient conditions of 47°F dry bulb (DB) and 43°F wet bulb (WB).

³Wiring cable size must comply with the applicable local and national codes.

⁴The specification may be subject to change without prior notice for purpose of improvement.

⁵Sum of connected indoor units capacity is 24-73 kBtu/h.

⁶At least two indoor units should be connected.

PERFORMANCE DATA

Rated Heating Combination Tables

MULTI F
MULTI F MAX

Table 284: LMU540HV with Mixed Indoor Units — Rated Heating Combination Table.

Total Indoor Unit Capacity (kBtu/h)	Heating Capacity						Input (W)			COP	HSPF
	Minimum		Rated		Maximum		Minimum	Rated	Maximum		
	Btu/h	kW	Btu/h	kW	Btu/h	kW					
24	15,467	4.53	25,778	7.56	27,067	7.93	1,490	2,235	2,516	3.40	10.1
25	16,111	4.72	26,852	7.87	28,194	8.26	1,616	2,344	2,620	3.40	9.9
26	16,756	4.91	27,926	8.18	29,322	8.59	1,691	2,452	2,725	3.30	9.9
27	17,400	5.10	29,000	8.50	30,450	8.92	1,766	2,561	2,830	3.30	9.8
28	18,044	5.29	30,074	8.81	31,578	9.25	1,961	2,669	2,935	3.30	9.8
29	18,689	5.48	31,148	9.13	32,706	9.59	2,040	2,778	3,040	3.30	9.7
30	19,333	5.67	32,222	9.44	33,833	9.92	2,120	2,886	3,145	3.30	9.7
31	19,978	5.86	33,296	9.76	34,961	10.25	2,290	2,995	3,249	3.25	9.6
32	20,622	6.04	34,370	10.07	36,089	10.58	2,373	3,103	3,354	3.25	9.6
33	21,267	6.23	35,444	10.39	37,217	10.91	2,456	3,212	3,459	3.25	9.5
34	21,911	6.42	36,519	10.70	38,344	11.24	2,539	3,320	3,564	3.20	9.4
35	22,556	6.61	37,593	11.02	39,472	11.57	2,708	3,429	3,669	3.20	9.4
36	23,200	6.80	38,667	11.33	40,600	11.90	2,793	3,537	3,773	3.20	9.3
37	23,844	6.99	39,741	11.65	41,728	12.23	2,879	3,646	3,878	3.20	9.3
38	24,489	7.18	40,815	11.96	42,856	12.56	2,965	3,754	3,983	3.20	9.2
39	25,133	7.37	41,889	12.28	43,983	12.89	3,090	3,863	4,088	3.15	9.2
40	25,778	7.56	42,963	12.59	45,111	13.22	3,177	3,971	4,193	3.15	9.1
41	26,422	7.74	44,037	12.91	46,239	13.55	3,264	4,080	4,298	3.15	9.1
42	27,067	7.93	45,111	13.22	47,367	13.88	3,350	4,188	4,402	3.15	9.0
43	27,711	8.12	46,185	13.54	48,494	14.21	3,437	4,297	4,507	3.15	9.0
44	28,356	8.31	47,259	13.85	49,622	14.54	3,524	4,405	4,612	3.15	8.9
45	29,000	8.50	48,333	14.17	50,750	14.87	3,611	4,514	4,717	3.15	8.8
46	29,644	8.69	49,407	14.48	51,878	15.20	3,698	4,622	4,822	3.15	8.8
47	30,289	8.88	50,481	14.80	53,006	15.54	3,784	4,731	4,926	3.15	8.7
48	30,933	9.07	51,556	15.11	54,133	15.87	3,871	4,839	5,031	3.15	8.7
49	31,578	9.25	52,630	15.42	55,261	16.20	3,958	4,948	5,136	3.15	8.6
50	32,222	9.44	53,704	15.74	56,389	16.53	4,045	5,056	5,241	3.15	8.6
51	32,867	9.63	54,778	16.05	57,517	16.86	4,132	5,165	5,346	3.15	8.5
52	33,511	9.82	55,852	16.37	58,644	17.19	4,218	5,273	5,451	3.15	8.5
53	34,156	10.01	56,926	16.68	59,772	17.52	4,305	5,382	5,555	3.10	8.4
54	34,800	10.20	58,000	17.00	60,900	17.85	4,392	5,490	5,660	3.05	8.4
55	35,444	10.39	58,183	17.05	61,042	17.89	4,414	5,517	5,688	3.05	8.4
56	35,667	10.45	58,366	17.11	61,184	17.93	4,435	5,544	5,716	3.05	8.4
57	36,100	10.58	58,549	17.16	61,326	17.97	4,457	5,571	5,744	3.05	8.4
58	36,534	10.71	58,733	17.21	61,468	18.02	4,479	5,598	5,772	3.05	8.4
59	36,967	10.83	58,916	17.27	61,611	18.06	4,500	5,625	5,800	3.05	8.4
60	37,401	10.96	59,099	17.32	61,753	18.10	4,522	5,652	5,827	3.05	8.4
61	37,834	11.09	59,282	17.37	61,895	18.14	4,544	5,679	5,855	3.05	8.4
62	38,268	11.22	59,465	17.43	62,037	18.18	4,565	5,707	5,883	3.05	8.4
63	38,701	11.34	59,648	17.48	62,179	18.22	4,587	5,734	5,911	3.05	8.4
64	39,135	11.47	59,832	17.54	62,321	18.27	4,609	5,761	5,939	3.05	8.4
65	39,568	11.60	60,015	17.59	62,463	18.31	4,630	5,788	5,967	3.05	8.4
66	40,002	11.72	60,198	17.64	62,605	18.35	4,652	5,815	5,995	3.05	8.4
67	40,435	11.85	60,381	17.70	62,747	18.39	4,674	5,842	6,023	3.00	8.4
68	40,869	11.98	60,564	17.75	62,889	18.43	4,695	5,869	6,051	3.00	8.4
69	41,302	12.10	60,747	17.80	63,032	18.47	4,717	5,896	6,078	3.00	8.4
70	41,736	12.23	60,931	17.86	63,174	18.52	4,738	5,923	6,106	3.00	8.4
71	42,169	12.36	61,114	17.91	63,316	18.56	4,760	5,950	6,134	3.00	8.4
72	42,603	12.49	61,297	17.97	63,458	18.60	4,782	5,977	6,162	3.00	8.4
73	43,036	12.61	61,480	18.02	63,600	18.64	4,803	6,004	6,190	3.00	8.4

¹Capacity as rated: 0 ft. above sea level with Piping Length as Main Pipe (16.4 ft.) + Branch pipe (98.4 ft.) = 115 ft. 0 ft. level difference between outdoor and indoor units.

²Heating capacity rating obtained with air entering the indoor unit at 70°F dry bulb (DB) and 60°F wet bulb (WB), and outdoor ambient conditions of 47°F dry bulb (DB) and 43°F wet bulb (WB).

³Wiring cable size must comply with the applicable local and national codes.

⁴The specification may be subject to change without prior notice for purpose of improvement.

⁵Sum of connected indoor units capacity is 24-73 kBtu/h.

⁶At least two indoor units should be connected.



Multi F and Multi F MAX Heat Pump System Engineering Manual

Table 285: LMU540HV Cooling Capacity Table — Non-Ducted Indoor Units.

Combination Capacity Index (kBtu/h[%])	Outdoor Air Temp. (°F DB)	Indoor Air Temp. °F DB / °F WB											
		68 / 57		73 / 61		77 / 64		80 / 67		86 / 72		90 / 75	
		TC	PI	TC	PI	TC	PI	TC	PI	TC	PI	TC	PI
Non-Ducted Indoor Units 73 (135%)	14	54.55	3.55	57.94	3.68	61.33	3.82	63.78	3.86	68.11	3.94	71.49	4.01
	20	54.51	3.61	57.90	3.74	61.28	3.87	63.73	3.92	68.05	3.99	71.44	4.07
	25	54.47	3.66	57.85	3.79	61.24	3.93	63.68	3.97	68.00	4.05	71.38	4.13
	30	54.43	3.71	57.81	3.84	61.19	3.98	63.63	4.03	67.95	4.10	71.33	4.19
	35	54.39	3.76	57.76	3.90	61.14	4.04	63.58	4.08	67.90	4.16	71.28	4.25
	40	54.35	3.81	57.72	3.95	61.10	4.09	63.53	4.14	67.85	4.22	71.22	4.30
	45	54.30	3.86	57.68	4.00	61.05	4.15	63.48	4.20	67.79	4.27	71.17	4.36
	50	54.26	3.91	57.63	4.05	61.00	4.20	63.44	4.25	67.74	4.33	71.11	4.42
	55	54.22	3.96	57.59	4.11	60.96	4.26	63.39	4.31	67.69	4.39	71.06	4.48
	60	54.18	4.01	57.54	4.16	60.91	4.31	63.34	4.36	67.64	4.44	71.00	4.53
	65	54.14	4.07	57.50	4.21	60.86	4.37	63.29	4.42	67.59	4.50	70.95	4.59
	70	54.10	4.12	57.46	4.27	60.82	4.42	63.24	4.47	67.53	4.56	70.89	4.65
	75	52.79	4.34	56.15	4.50	59.50	4.66	61.92	4.71	66.20	4.80	69.55	4.90
	80	51.49	4.56	54.84	4.73	58.18	4.90	60.59	4.96	64.86	5.05	68.21	5.15
	85	50.20	4.78	53.54	4.96	56.87	5.14	59.28	5.20	63.54	5.29	66.88	5.40
	90	48.91	5.00	52.24	5.19	55.56	5.38	57.97	5.44	62.22	5.54	65.54	5.65
	95	47.51	5.23	50.82	5.42	54.13	5.62	55.65	5.68	60.75	5.79	64.06	5.90
	100	46.35	5.45	49.66	5.65	52.97	5.85	54.93	5.92	59.59	6.03	62.90	6.15
	105	45.20	5.67	48.51	5.88	51.82	6.09	54.21	6.16	58.44	6.28	61.75	6.40
	110	44.04	5.89	47.35	6.11	50.66	6.33	53.05	6.40	57.28	6.52	60.59	6.66
115	42.88	6.11	46.19	6.34	49.50	6.57	51.89	6.65	56.12	6.77	59.43	6.91	
118	42.19	6.25	45.50	6.48	48.81	6.71	51.20	6.79	55.43	6.92	58.74	7.06	
122	41.96	6.43	45.27	6.66	48.58	6.90	50.97	6.98	55.20	7.11	58.51	7.26	
Non-Ducted Indoor Units 70 (130%)	14	54.06	3.50	57.42	3.63	60.78	3.76	63.20	3.80	67.49	3.87	70.85	3.95
	20	54.02	3.55	57.38	3.68	60.73	3.81	63.16	3.86	67.44	3.93	70.80	4.01
	25	53.98	3.60	57.33	3.73	60.69	3.87	63.11	3.91	67.39	3.98	70.74	4.06
	30	53.94	3.65	57.29	3.78	60.64	3.92	63.06	3.97	67.34	4.04	70.69	4.12
	35	53.90	3.70	57.25	3.83	60.59	3.97	63.01	4.02	67.29	4.10	70.64	4.18
	40	53.86	3.75	57.20	3.89	60.55	4.03	62.96	4.07	67.24	4.15	70.58	4.23
	45	53.82	3.80	57.16	3.94	60.50	4.08	62.91	4.13	67.18	4.21	70.53	4.29
	50	53.77	3.85	57.11	3.99	60.45	4.14	62.87	4.18	67.13	4.26	70.47	4.35
	55	53.73	3.90	57.07	4.04	60.41	4.19	62.82	4.24	67.08	4.32	70.42	4.40
	60	53.69	3.95	57.03	4.09	60.36	4.24	62.77	4.29	67.03	4.37	70.36	4.46
	65	53.65	4.00	56.98	4.15	60.31	4.30	62.72	4.35	66.98	4.43	70.31	4.52
	70	53.61	4.05	56.94	4.20	60.27	4.35	62.67	4.40	66.93	4.48	70.26	4.58
	75	52.32	4.27	55.64	4.43	58.96	4.59	61.36	4.64	65.60	4.73	68.93	4.82
	80	51.03	4.49	54.34	4.65	57.66	4.82	60.05	4.88	64.28	4.97	67.59	5.07
	85	49.75	4.71	53.06	4.88	56.36	5.06	58.75	5.11	62.97	5.21	66.28	5.32
	90	48.47	4.93	51.77	5.11	55.07	5.29	57.45	5.35	61.66	5.45	64.96	5.56
	95	47.08	5.14	50.36	5.33	53.65	5.53	55.15	5.59	60.21	5.69	63.49	5.81
	100	45.94	5.36	49.22	5.56	52.50	5.76	54.44	5.83	59.06	5.94	62.34	6.06
	105	44.79	5.58	48.07	5.78	51.35	6.00	53.72	6.07	57.91	6.18	61.19	6.30
	110	43.64	5.80	46.93	6.01	50.21	6.23	52.57	6.30	56.77	6.42	60.05	6.55
115	42.50	6.02	45.78	6.24	49.06	6.47	51.43	6.54	55.62	6.66	58.90	6.80	
118	41.81	6.15	45.09	6.37	48.37	6.61	50.74	6.68	54.93	6.81	58.21	6.94	
122	41.58	6.32	44.86	6.55	48.14	6.79	50.51	6.87	54.70	7.00	57.98	7.14	

TC = Total Capacity (kBtu/h).

PI = Power Input (kW).

Nominal capacity as rated: 0 ft. above sea level with Piping Length as Main Pipe (16.4 ft.) + Branch pipe (98.4 ft.) = 115 ft.
0 ft. level difference between outdoor and indoor units.

Nominal cooling capacity rating obtained with air entering the indoor unit at 80°F dry bulb (DB) and 67°F wet bulb (WB), and outdoor ambient conditions of 95°F dry bulb (DB) and 75°F wet bulb (WB).

The shaded table columns and rows indicate reference data. When operating at this temperature, these values can be different if the system is not running consistently.

PERFORMANCE DATA

Cooling Capacity Tables

MULTI F
MULTI F MAX

Table 286: LMU540HV Cooling Capacity Table — Non-Ducted Indoor Units (continued).

Combination Capacity Index (kBtu/h[%])	Outdoor Air Temp. (°F DB)	Indoor Air Temp. °F DB / °F WB											
		68 / 57		73 / 61		77 / 64		80 / 67		86 / 72		90 / 75	
		TC	PI	TC	PI	TC	PI	TC	PI	TC	PI	TC	PI
Non-Ducted Indoor Units 65 (120%)	14	53.25	3.40	56.56	3.53	59.86	3.66	62.25	3.70	66.48	3.77	69.79	3.84
	20	53.21	3.45	56.51	3.58	59.82	3.71	62.20	3.75	66.43	3.82	69.73	3.90
	25	53.17	3.50	56.47	3.63	59.77	3.76	62.16	3.81	66.38	3.88	69.68	3.96
	30	53.13	3.55	56.43	3.68	59.73	3.82	62.11	3.86	66.33	3.93	69.63	4.01
	35	53.09	3.60	56.38	3.73	59.68	3.87	62.06	3.91	66.28	3.99	69.57	4.07
	40	53.05	3.65	56.34	3.78	59.64	3.92	62.01	3.97	66.22	4.04	69.52	4.12
	45	53.01	3.70	56.30	3.83	59.59	3.97	61.97	4.02	66.17	4.09	69.47	4.18
	50	52.97	3.75	56.25	3.88	59.54	4.03	61.92	4.07	66.12	4.15	69.41	4.23
	55	52.92	3.80	56.21	3.93	59.50	4.08	61.87	4.12	66.07	4.20	69.36	4.29
	60	52.88	3.84	56.17	3.98	59.45	4.13	61.82	4.18	66.02	4.26	69.31	4.34
	65	52.84	3.89	56.13	4.04	59.41	4.18	61.78	4.23	65.97	4.31	69.25	4.40
	70	52.80	3.94	56.08	4.09	59.36	4.24	61.73	4.28	65.92	4.36	69.20	4.45
	75	51.53	4.16	54.80	4.31	58.07	4.46	60.44	4.52	64.62	4.60	67.89	4.69
	80	50.26	4.37	53.52	4.53	56.79	4.69	59.14	4.75	63.31	4.84	66.58	4.93
	85	49.00	4.58	52.26	4.75	55.51	4.92	57.86	4.98	62.02	5.07	65.28	5.17
	90	47.74	4.79	50.99	4.97	54.24	5.15	56.58	5.21	60.73	5.31	63.98	5.41
	95	46.38	5.01	49.61	5.19	52.84	5.38	54.32	5.44	59.30	5.54	62.53	5.65
	100	45.25	5.22	48.48	5.41	51.71	5.61	53.62	5.67	58.17	5.78	61.40	5.89
	105	44.12	5.43	47.35	5.63	50.58	5.84	52.91	5.90	57.04	6.01	60.27	6.13
110	42.99	5.64	46.22	5.85	49.45	6.06	51.78	6.13	55.91	6.25	59.14	6.37	
115	41.86	5.86	45.09	6.07	48.32	6.29	50.65	6.36	54.78	6.48	58.01	6.61	
118	41.18	5.98	44.41	6.20	47.64	6.43	49.98	6.50	54.10	6.63	57.34	6.76	
122	40.96	6.15	44.19	6.38	47.42	6.61	49.75	6.69	53.88	6.81	57.11	6.95	
Non-Ducted Indoor Units 59 (110%)	14	52.28	3.29	55.53	3.41	58.77	3.53	61.12	3.57	65.27	3.64	68.51	3.71
	20	52.24	3.33	55.48	3.45	58.73	3.58	61.07	3.62	65.22	3.69	68.46	3.76
	25	52.20	3.38	55.44	3.50	58.68	3.63	61.02	3.67	65.17	3.74	68.41	3.82
	30	52.16	3.43	55.40	3.55	58.64	3.68	60.98	3.72	65.12	3.79	68.36	3.87
	35	52.12	3.47	55.36	3.60	58.59	3.73	60.93	3.78	65.07	3.85	68.30	3.92
	40	52.08	3.52	55.31	3.65	58.55	3.78	60.88	3.83	65.02	3.90	68.25	3.98
	45	52.04	3.57	55.27	3.70	58.50	3.83	60.84	3.88	64.97	3.95	68.20	4.03
	50	52.00	3.62	55.23	3.75	58.46	3.88	60.79	3.93	64.92	4.00	68.15	4.08
	55	51.96	3.66	55.19	3.80	58.41	3.94	60.74	3.98	64.87	4.06	68.10	4.14
	60	51.92	3.71	55.14	3.85	58.37	3.99	60.70	4.03	64.82	4.11	68.04	4.19
	65	51.88	3.76	55.10	3.89	58.32	4.04	60.65	4.08	64.77	4.16	67.99	4.24
	70	51.84	3.80	55.06	3.94	58.28	4.09	60.60	4.13	64.72	4.21	67.94	4.30
	75	50.59	4.01	53.80	4.16	57.02	4.31	59.34	4.36	63.44	4.44	66.65	4.53
	80	49.35	4.22	52.55	4.37	55.75	4.53	58.07	4.58	62.16	4.67	65.36	4.76
	85	48.11	4.42	51.30	4.58	54.50	4.75	56.81	4.80	60.89	4.89	64.09	4.99
	90	46.87	4.63	50.06	4.79	53.25	4.97	55.55	5.03	59.62	5.12	62.81	5.22
	95	45.53	4.83	48.70	5.01	51.87	5.19	53.33	5.25	58.22	5.35	61.39	5.46
	100	44.42	5.04	47.59	5.22	50.77	5.41	52.64	5.47	57.11	5.58	60.28	5.69
	105	43.31	5.24	46.49	5.43	49.66	5.63	51.95	5.70	56.00	5.80	59.17	5.92
110	42.20	5.45	45.38	5.65	48.55	5.85	50.84	5.92	54.89	6.03	58.06	6.15	
115	41.10	5.65	44.27	5.86	47.44	6.07	49.73	6.14	53.78	6.26	56.96	6.38	
118	40.43	5.78	43.60	5.99	46.77	6.20	49.07	6.28	53.12	6.39	56.29	6.52	
122	40.21	5.94	43.38	6.16	46.55	6.38	48.84	6.45	52.90	6.58	56.07	6.71	

TC = Total Capacity (kBtu/h).

PI = Power Input (kW).

Nominal capacity as rated: 0 ft. above sea level with Piping Length as Main Pipe (16.4 ft.) + Branch pipe (98.4 ft.) = 115 ft.
0 ft. level difference between outdoor and indoor units.

Nominal cooling capacity rating obtained with air entering the indoor unit at 80°F dry bulb (DB) and 67°F wet bulb (WB), and outdoor ambient conditions of 95°F dry bulb (DB) and 75°F wet bulb (WB).

The shaded table columns and rows indicate reference data. When operating at this temperature, these values can be different if the system is not running consistently.



Multi F and Multi F MAX Heat Pump System Engineering Manual

Table 287: LMU540HV Cooling Capacity Table — Non-Ducted Indoor Units.

Combination Capacity Index (kBtu/h[%])	Outdoor Air Temp. (°F DB)	Indoor Air Temp. °F DB / °F WB											
		68 / 57		73 / 61		77 / 64		80 / 67		86 / 72		90 / 75	
		TC	PI	TC	PI	TC	PI	TC	PI	TC	PI	TC	PI
Non-Ducted Indoor Units 54 (100%)	14	51.47	3.19	54.66	3.31	57.86	3.43	60.17	3.47	64.25	3.53	67.45	3.60
	20	51.43	3.24	54.62	3.36	57.81	3.48	60.12	3.52	64.20	3.58	67.40	3.66
	25	51.39	3.28	54.58	3.40	57.77	3.53	60.07	3.57	64.15	3.63	67.34	3.71
	30	51.35	3.33	54.54	3.45	57.73	3.58	60.03	3.62	64.10	3.69	67.29	3.76
	35	51.31	3.38	54.50	3.50	57.68	3.63	59.98	3.67	64.05	3.74	67.24	3.81
	40	51.27	3.42	54.45	3.55	57.64	3.68	59.94	3.72	64.01	3.79	67.19	3.86
	45	51.23	3.47	54.41	3.59	57.59	3.72	59.89	3.77	63.96	3.84	67.14	3.92
	50	51.19	3.51	54.37	3.64	57.55	3.77	59.85	3.82	63.91	3.89	67.09	3.97
	55	51.15	3.56	54.33	3.69	57.51	3.82	59.80	3.87	63.86	3.94	67.04	4.02
	60	51.11	3.60	54.29	3.74	57.46	3.87	59.75	3.92	63.81	3.99	66.98	4.07
	65	51.07	3.65	54.24	3.78	57.42	3.92	59.71	3.97	63.76	4.04	66.93	4.12
	70	51.03	3.70	54.20	3.83	57.37	3.97	59.66	4.02	63.71	4.09	66.88	4.17
	75	49.81	3.90	52.97	4.04	56.13	4.19	58.41	4.23	62.45	4.31	65.61	4.40
	80	48.58	4.09	51.73	4.24	54.89	4.40	57.16	4.45	61.19	4.53	64.35	4.62
	85	47.36	4.29	50.51	4.45	53.65	4.61	55.92	4.67	59.94	4.75	63.09	4.85
	90	46.14	4.49	49.28	4.66	52.42	4.83	54.69	4.88	58.70	4.97	61.83	5.07
	95	44.82	4.69	47.94	4.86	51.07	5.04	52.50	5.10	57.31	5.20	60.44	5.30
	100	43.73	4.89	46.85	5.07	49.98	5.26	51.82	5.32	56.22	5.42	59.34	5.53
	105	42.64	5.09	45.76	5.28	48.88	5.47	51.14	5.53	55.13	5.64	58.25	5.75
	110	41.55	5.29	44.67	5.48	47.79	5.68	50.05	5.75	54.04	5.86	57.16	5.98
115	40.46	5.49	43.58	5.69	46.70	5.90	48.96	5.97	52.95	6.08	56.07	6.20	
118	39.80	5.61	42.92	5.82	46.05	6.03	48.30	6.10	52.29	6.21	55.41	6.34	
122	39.58	5.77	42.71	5.98	45.83	6.20	48.08	6.27	52.07	6.39	55.20	6.52	
Non-Ducted Indoor Units 49 (90%)	14	46.70	2.82	49.60	2.93	52.50	3.03	54.60	3.07	58.30	3.12	61.20	3.19
	20	46.67	2.86	49.56	2.97	52.46	3.08	54.56	3.11	58.26	3.17	61.16	3.23
	25	46.63	2.90	49.53	3.01	52.42	3.12	54.51	3.16	58.21	3.21	61.11	3.28
	30	46.59	2.94	49.49	3.05	52.38	3.16	54.47	3.20	58.17	3.26	61.06	3.32
	35	46.56	2.98	49.45	3.09	52.34	3.21	54.43	3.24	58.12	3.30	61.02	3.37
	40	46.52	3.03	49.41	3.14	52.30	3.25	54.39	3.29	58.08	3.35	60.97	3.42
	45	46.49	3.07	49.37	3.18	52.26	3.29	54.35	3.33	58.04	3.39	60.92	3.46
	50	46.45	3.11	49.34	3.22	52.22	3.34	54.31	3.38	57.99	3.44	60.88	3.51
	55	46.42	3.15	49.30	3.26	52.18	3.38	54.26	3.42	57.95	3.48	60.83	3.55
	60	46.38	3.19	49.26	3.30	52.14	3.42	54.22	3.46	57.90	3.53	60.78	3.60
	65	46.35	3.23	49.22	3.35	52.10	3.47	54.18	3.51	57.86	3.57	60.74	3.65
	70	46.31	3.27	49.19	3.39	52.06	3.51	54.14	3.55	57.81	3.62	60.69	3.69
	75	45.20	3.44	48.06	3.57	50.93	3.70	53.01	3.74	56.67	3.81	59.54	3.89
	80	44.08	3.62	46.94	3.75	49.80	3.89	51.87	3.94	55.53	4.01	58.39	4.09
	85	42.98	3.80	45.83	3.94	48.69	4.08	50.75	4.13	54.40	4.20	57.25	4.29
	90	41.87	3.97	44.72	4.12	47.57	4.27	49.62	4.32	53.26	4.40	56.11	4.49
	95	40.67	4.15	43.51	4.30	46.34	4.46	47.64	4.51	52.01	4.59	54.84	4.69
	100	39.68	4.33	42.52	4.48	45.35	4.65	47.02	4.70	51.02	4.79	53.85	4.89
	105	38.69	4.50	41.53	4.67	44.36	4.84	46.41	4.89	50.03	4.98	52.86	5.09
	110	37.70	4.68	40.54	4.85	43.37	5.03	45.42	5.08	49.04	5.18	51.87	5.28
115	36.71	4.86	39.54	5.03	42.38	5.22	44.42	5.28	48.05	5.38	50.88	5.48	
118	36.12	4.96	38.95	5.14	41.78	5.33	43.83	5.39	47.45	5.49	50.28	5.60	
122	35.92	5.10	38.75	5.29	41.59	5.48	43.63	5.54	47.25	5.65	50.09	5.76	

TC = Total Capacity (kBtu/h).

PI = Power Input (kW).

Nominal capacity as rated: 0 ft. above sea level with Piping Length as Main Pipe (16.4 ft.) + Branch pipe (98.4 ft.) = 115 ft.
0 ft. level difference between outdoor and indoor units.

Nominal cooling capacity rating obtained with air entering the indoor unit at 80°F dry bulb (DB) and 67°F wet bulb (WB), and outdoor ambient conditions of 95°F dry bulb (DB) and 75°F wet bulb (WB).

The shaded table columns and rows indicate reference data. When operating at this temperature, these values can be different if the system is not running consistently.

PERFORMANCE DATA

MULTI F
MULTI F MAX

Cooling Capacity Tables

Table 288: LMU540HV Cooling Capacity Table — Non-Ducted Indoor Units (continued).

Combination Capacity Index (kBtu/h[%])	Outdoor Air Temp. (°F DB)	Indoor Air Temp. °F DB / °F WB											
		68 / 57		73 / 61		77 / 64		80 / 67		86 / 72		90 / 75	
		TC	PI	TC	PI	TC	PI	TC	PI	TC	PI	TC	PI
Non-Ducted Indoor Units 43 (80%)	14	40.99	2.38	43.53	2.46	46.08	2.55	47.92	2.58	51.17	2.63	53.71	2.69
	20	40.95	2.41	43.50	2.50	46.04	2.59	47.88	2.62	51.13	2.67	53.67	2.72
	25	40.92	2.45	43.47	2.54	46.01	2.63	47.84	2.66	51.09	2.71	53.63	2.76
	30	40.89	2.48	43.43	2.57	45.97	2.66	47.81	2.70	51.05	2.75	53.59	2.80
	35	40.86	2.51	43.40	2.61	45.94	2.70	47.77	2.73	51.01	2.78	53.55	2.84
	40	40.83	2.55	43.37	2.64	45.90	2.74	47.73	2.77	50.97	2.82	53.51	2.88
	45	40.80	2.58	43.33	2.68	45.87	2.78	47.70	2.81	50.93	2.86	53.47	2.92
	50	40.77	2.62	43.30	2.71	45.83	2.81	47.66	2.84	50.89	2.90	53.43	2.96
	55	40.74	2.65	43.27	2.75	45.80	2.85	47.62	2.88	50.86	2.94	53.39	2.99
	60	40.70	2.69	43.23	2.78	45.76	2.89	47.59	2.92	50.82	2.97	53.34	3.03
	65	40.67	2.72	43.20	2.82	45.73	2.92	47.55	2.96	50.78	3.01	53.30	3.07
	70	40.64	2.75	43.17	2.85	45.69	2.96	47.51	2.99	50.74	3.05	53.26	3.11
	75	39.66	2.90	42.18	3.01	44.70	3.12	46.52	3.15	49.74	3.21	52.25	3.28
	80	38.69	3.05	41.20	3.16	43.71	3.28	45.52	3.32	48.73	3.38	51.24	3.45
	85	37.72	3.20	40.22	3.32	42.73	3.44	44.54	3.48	47.74	3.54	50.24	3.61
	90	36.75	3.35	39.25	3.47	41.75	3.60	43.55	3.64	46.74	3.71	49.24	3.78
	95	35.70	3.50	38.18	3.62	40.67	3.76	41.81	3.80	45.64	3.87	48.13	3.95
	100	34.83	3.65	37.31	3.78	39.80	3.92	41.27	3.96	44.77	4.04	47.26	4.12
	105	33.96	3.79	36.44	3.93	38.93	4.08	40.73	4.12	43.90	4.20	46.39	4.28
110	33.09	3.94	35.57	4.09	38.06	4.24	39.86	4.28	43.03	4.36	45.52	4.45	
115	32.22	4.09	34.71	4.24	37.19	4.40	38.99	4.45	42.17	4.53	44.65	4.62	
118	31.70	4.18	34.18	4.33	36.67	4.49	38.47	4.54	41.64	4.63	44.13	4.72	
122	31.52	4.30	34.01	4.46	36.50	4.62	38.29	4.67	41.47	4.76	43.96	4.86	
Non-Ducted Indoor Units 38 (70%)	14	36.21	2.01	38.46	2.08	40.71	2.16	42.33	2.18	45.21	2.22	47.46	2.27
	20	36.18	2.04	38.43	2.11	40.68	2.19	42.30	2.21	45.17	2.26	47.42	2.30
	25	36.16	2.07	38.40	2.14	40.65	2.22	42.27	2.25	45.14	2.29	47.38	2.33
	30	36.13	2.10	38.37	2.17	40.62	2.25	42.24	2.28	45.10	2.32	47.35	2.37
	35	36.10	2.12	38.34	2.20	40.59	2.28	42.21	2.31	45.07	2.35	47.31	2.40
	40	36.07	2.15	38.31	2.23	40.55	2.31	42.17	2.34	45.04	2.38	47.28	2.43
	45	36.05	2.18	38.29	2.26	40.52	2.34	42.14	2.37	45.00	2.42	47.24	2.46
	50	36.02	2.21	38.26	2.29	40.49	2.38	42.11	2.40	44.97	2.45	47.20	2.50
	55	35.99	2.24	38.23	2.32	40.46	2.41	42.08	2.43	44.93	2.48	47.17	2.53
	60	35.96	2.27	38.20	2.35	40.43	2.44	42.04	2.47	44.90	2.51	47.13	2.56
	65	35.94	2.30	38.17	2.38	40.40	2.47	42.01	2.50	44.86	2.54	47.09	2.59
	70	35.91	2.33	38.14	2.41	40.37	2.50	41.98	2.53	44.83	2.58	47.06	2.63
	75	35.04	2.45	37.27	2.54	39.49	2.63	41.10	2.66	43.94	2.71	46.17	2.77
	80	34.18	2.58	36.40	2.67	38.62	2.77	40.22	2.80	43.06	2.85	45.28	2.91
	85	33.32	2.70	35.54	2.80	37.75	2.90	39.35	2.94	42.18	2.99	44.39	3.05
	90	32.47	2.83	34.68	2.93	36.88	3.04	38.48	3.07	41.30	3.13	43.51	3.19
	95	31.54	2.95	33.73	3.06	35.93	3.17	36.94	3.21	40.33	3.27	42.52	3.34
	100	30.77	3.08	32.97	3.19	35.16	3.31	36.46	3.35	39.56	3.41	41.76	3.48
	105	30.00	3.20	32.20	3.32	34.40	3.44	35.98	3.48	38.79	3.55	40.99	3.62
110	29.23	3.33	31.43	3.45	33.63	3.58	35.21	3.62	38.02	3.69	40.22	3.76	
115	28.47	3.46	30.66	3.58	32.86	3.71	34.45	3.76	37.25	3.83	39.45	3.90	
118	28.01	3.53	30.20	3.66	32.40	3.79	33.99	3.84	36.79	3.91	38.99	3.99	
122	27.85	3.63	30.05	3.76	32.25	3.90	33.83	3.95	36.64	4.02	38.84	4.10	

TC = Total Capacity (kBtu/h).

PI = Power Input (kW).

Nominal capacity as rated: 0 ft. above sea level with Piping Length as Main Pipe (16.4 ft.) + Branch pipe (98.4 ft.) = 115 ft.
0 ft. level difference between outdoor and indoor units.

Nominal cooling capacity rating obtained with air entering the indoor unit at 80°F dry bulb (DB) and 67°F wet bulb (WB), and outdoor ambient conditions of 95°F dry bulb (DB) and 75°F wet bulb (WB).

The shaded table columns and rows indicate reference data. When operating at this temperature, these values can be different if the system is not running consistently.

Multi F and Multi F MAX Heat Pump System Engineering Manual

Table 289: LMU540HV Cooling Capacity Table — Non-Ducted Indoor Units (continued).

Combination Capacity Index (kBtu/h[%])	Outdoor Air Temp. (°F DB)	Indoor Air Temp. °F DB / °F WB											
		68 / 57		73 / 61		77 / 64		80 / 67		86 / 72		90 / 75	
		TC	PI	TC	PI	TC	PI	TC	PI	TC	PI	TC	PI
Non-Ducted Indoor Units 32 (60%)	14	30.50	1.56	32.39	1.62	34.29	1.68	35.65	1.70	38.07	1.73	39.97	1.77
	20	30.47	1.59	32.37	1.64	34.26	1.70	35.63	1.72	38.04	1.76	39.94	1.79
	25	30.45	1.61	32.34	1.67	34.23	1.73	35.60	1.75	38.01	1.78	39.91	1.82
	30	30.43	1.63	32.32	1.69	34.21	1.75	35.57	1.77	37.99	1.81	39.88	1.84
	35	30.40	1.65	32.29	1.71	34.18	1.78	35.54	1.80	37.96	1.83	39.85	1.87
	40	30.38	1.68	32.27	1.74	34.15	1.80	35.52	1.82	37.93	1.86	39.81	1.89
	45	30.36	1.70	32.24	1.76	34.13	1.83	35.49	1.85	37.90	1.88	39.78	1.92
	50	30.33	1.72	32.22	1.78	34.10	1.85	35.46	1.87	37.87	1.91	39.75	1.94
	55	30.31	1.74	32.19	1.81	34.08	1.87	35.44	1.90	37.84	1.93	39.72	1.97
	60	30.29	1.77	32.17	1.83	34.05	1.90	35.41	1.92	37.81	1.96	39.69	2.00
	65	30.26	1.79	32.14	1.85	34.02	1.92	35.38	1.94	37.78	1.98	39.66	2.02
	70	30.24	1.81	32.12	1.88	34.00	1.95	35.35	1.97	37.75	2.01	39.63	2.05
	75	29.51	1.91	31.39	1.98	33.26	2.05	34.61	2.08	37.01	2.11	38.88	2.16
	80	28.79	2.01	30.65	2.08	32.52	2.16	33.87	2.18	36.26	2.22	38.13	2.27
	85	28.06	2.10	29.93	2.18	31.79	2.26	33.14	2.29	35.52	2.33	37.39	2.38
	90	27.34	2.20	29.20	2.28	31.06	2.37	32.41	2.39	34.78	2.44	36.64	2.49
	95	26.56	2.30	28.41	2.38	30.26	2.47	31.11	2.50	33.96	2.55	35.81	2.60
	100	25.91	2.40	27.76	2.49	29.61	2.58	30.71	2.61	33.32	2.66	35.17	2.71
105	25.27	2.50	27.12	2.59	28.97	2.68	30.30	2.71	32.67	2.76	34.52	2.82	
110	24.62	2.59	26.47	2.69	28.32	2.79	29.66	2.82	32.02	2.87	33.87	2.93	
115	23.97	2.69	25.82	2.79	27.67	2.89	29.01	2.92	31.37	2.98	33.23	3.04	
118	23.59	2.75	25.44	2.85	27.29	2.95	28.62	2.99	30.99	3.04	32.84	3.11	
122	23.46	2.83	25.31	2.93	27.16	3.04	28.49	3.07	30.86	3.13	32.71	3.19	
Non-Ducted Indoor Units 27 (50%)	14	25.73	1.20	27.33	1.24	28.93	1.28	30.08	1.30	32.13	1.32	33.72	1.35
	20	25.71	1.21	27.31	1.26	28.91	1.30	30.06	1.32	32.10	1.34	33.70	1.37
	25	25.69	1.23	27.29	1.27	28.88	1.32	30.04	1.34	32.08	1.36	33.67	1.39
	30	25.67	1.25	27.27	1.29	28.86	1.34	30.01	1.35	32.05	1.38	33.65	1.41
	35	25.65	1.26	27.25	1.31	28.84	1.36	29.99	1.37	32.03	1.40	33.62	1.43
	40	25.63	1.28	27.23	1.33	28.82	1.38	29.97	1.39	32.00	1.42	33.59	1.45
	45	25.62	1.30	27.21	1.35	28.80	1.39	29.95	1.41	31.98	1.44	33.57	1.47
	50	25.60	1.32	27.19	1.36	28.77	1.41	29.92	1.43	31.95	1.46	33.54	1.49
	55	25.58	1.33	27.16	1.38	28.75	1.43	29.90	1.45	31.93	1.48	33.52	1.51
	60	25.56	1.35	27.14	1.40	28.73	1.45	29.88	1.47	31.90	1.49	33.49	1.52
	65	25.54	1.37	27.12	1.42	28.71	1.47	29.85	1.49	31.88	1.51	33.47	1.54
	70	25.52	1.38	27.10	1.43	28.69	1.49	29.83	1.50	31.86	1.53	33.44	1.56
	75	24.90	1.46	26.48	1.51	28.06	1.57	29.21	1.59	31.23	1.62	32.81	1.65
	80	24.29	1.53	25.87	1.59	27.44	1.65	28.58	1.67	30.60	1.70	32.17	1.73
	85	23.68	1.61	25.25	1.67	26.83	1.73	27.96	1.75	29.97	1.78	31.55	1.82
	90	23.07	1.68	24.64	1.74	26.21	1.81	27.34	1.83	29.35	1.86	30.92	1.90
	95	22.41	1.76	23.97	1.82	25.53	1.89	26.25	1.91	28.66	1.95	30.22	1.98
	100	21.87	1.83	23.43	1.90	24.99	1.97	25.91	1.99	28.11	2.03	29.67	2.07
105	21.32	1.91	22.88	1.98	24.44	2.05	25.57	2.07	27.56	2.11	29.13	2.15	
110	20.77	1.98	22.34	2.05	23.90	2.13	25.02	2.15	27.02	2.19	28.58	2.24	
115	20.23	2.06	21.79	2.13	23.35	2.21	24.48	2.23	26.47	2.28	28.03	2.32	
118	19.90	2.10	21.46	2.18	23.02	2.26	24.15	2.28	26.15	2.33	27.71	2.37	
122	19.79	2.16	21.35	2.24	22.91	2.32	24.04	2.35	26.04	2.39	27.60	2.44	

TC = Total Capacity (kBtu/h).
 PI = Power Input (kW).
 Nominal capacity as rated: 0 ft. above sea level with Piping Length as Main Pipe (16.4 ft.) + Branch pipe (98.4 ft.) = 115 ft.
 0 ft. level difference between outdoor and indoor units.

Nominal cooling capacity rating obtained with air entering the indoor unit at 80°F dry bulb (DB) and 67°F wet bulb (WB), and outdoor ambient conditions of 95°F dry bulb (DB) and 75°F wet bulb (WB).
 The shaded table columns and rows indicate reference data. When operating at this temperature, these values can be different if the system is not running consistently.

PERFORMANCE DATA

MULTI F
MULTI F MAX

Cooling Capacity Tables

Table 290: LMU540HV Cooling Capacity Table — Non-Ducted (continued) / Ducted Indoor Units.

Combination Capacity Index (kBtu/h[%])	Outdoor Air Temp. (°F DB)	Indoor Air Temp. °F DB / °F WB											
		68 / 57		73 / 61		77 / 64		80 / 67		86 / 72		90 / 75	
		TC	PI	TC	PI	TC	PI	TC	PI	TC	PI	TC	PI
Non-Ducted Indoor Units 24 (40%)	14	22.87	0.97	24.29	1.01	25.71	1.04	26.74	1.05	28.55	1.07	29.97	1.10
	20	22.85	0.98	24.27	1.02	25.69	1.06	26.72	1.07	28.53	1.09	29.95	1.11
	25	22.84	1.00	24.25	1.03	25.67	1.07	26.70	1.08	28.51	1.10	29.93	1.13
	30	22.82	1.01	24.24	1.05	25.65	1.09	26.68	1.10	28.49	1.12	29.90	1.14
	35	22.80	1.03	24.22	1.06	25.63	1.10	26.66	1.11	28.46	1.14	29.88	1.16
	40	22.78	1.04	24.20	1.08	25.61	1.12	26.63	1.13	28.44	1.15	29.86	1.17
	45	22.77	1.05	24.18	1.09	25.59	1.13	26.61	1.14	28.42	1.17	29.83	1.19
	50	22.75	1.07	24.16	1.11	25.57	1.15	26.59	1.16	28.40	1.18	29.81	1.21
	55	22.73	1.08	24.14	1.12	25.55	1.16	26.57	1.18	28.38	1.20	29.79	1.22
	60	22.71	1.10	24.12	1.14	25.53	1.18	26.55	1.19	28.36	1.21	29.77	1.24
	65	22.70	1.11	24.11	1.15	25.51	1.19	26.53	1.21	28.33	1.23	29.74	1.25
	70	22.68	1.12	24.09	1.16	25.50	1.21	26.51	1.22	28.31	1.24	29.72	1.27
	75	22.13	1.18	23.54	1.23	24.94	1.27	25.96	1.29	27.75	1.31	29.16	1.34
	80	21.59	1.24	22.99	1.29	24.39	1.34	25.40	1.35	27.19	1.38	28.59	1.41
	85	21.05	1.31	22.44	1.35	23.84	1.40	24.85	1.42	26.64	1.44	28.04	1.47
	90	20.51	1.37	21.90	1.42	23.29	1.47	24.30	1.48	26.08	1.51	27.48	1.54
	95	19.92	1.43	21.31	1.48	22.69	1.53	23.33	1.55	25.47	1.58	26.86	1.61
	100	19.43	1.49	20.82	1.54	22.21	1.60	23.03	1.62	24.98	1.65	26.37	1.68
	105	18.95	1.55	20.34	1.60	21.72	1.66	22.73	1.68	24.50	1.71	25.89	1.75
	110	18.46	1.61	19.85	1.67	21.24	1.73	22.24	1.75	24.01	1.78	25.40	1.82
115	17.98	1.67	19.37	1.73	20.75	1.79	21.76	1.81	23.53	1.85	24.92	1.88	
118	17.69	1.71	19.07	1.77	20.46	1.83	21.46	1.85	23.24	1.89	24.63	1.93	
122	17.59	1.75	18.98	1.82	20.37	1.88	21.37	1.91	23.14	1.94	24.53	1.98	
Ducted Indoor Units 73 (135%)	14	52.99	3.55	56.29	3.68	59.58	3.82	61.95	3.86	66.16	3.94	69.45	4.01
	20	52.95	3.61	56.24	3.74	59.53	3.87	61.91	3.92	66.11	3.99	69.40	4.07
	25	52.91	3.66	56.20	3.79	59.49	3.93	61.86	3.97	66.06	4.05	69.35	4.13
	30	52.87	3.71	56.16	3.84	59.44	3.98	61.81	4.03	66.01	4.10	69.29	4.19
	35	52.83	3.76	56.11	3.90	59.40	4.04	61.77	4.08	65.96	4.16	69.24	4.25
	40	52.79	3.81	56.07	3.95	59.35	4.09	61.72	4.14	65.91	4.22	69.19	4.30
	45	52.75	3.86	56.03	4.00	59.30	4.15	61.67	4.20	65.86	4.27	69.13	4.36
	50	52.71	3.91	55.99	4.05	59.26	4.20	61.62	4.25	65.81	4.33	69.08	4.42
	55	52.67	3.96	55.94	4.11	59.21	4.26	61.58	4.31	65.76	4.39	69.03	4.48
	60	52.63	4.01	55.90	4.16	59.17	4.31	61.53	4.36	65.71	4.44	68.97	4.53
	65	52.59	4.07	55.86	4.21	59.12	4.37	61.48	4.42	65.66	4.50	68.92	4.59
	70	52.55	4.12	55.81	4.27	59.08	4.42	61.43	4.47	65.60	4.56	68.87	4.65
	75	51.29	4.34	54.54	4.50	57.80	4.66	60.15	4.71	64.31	4.80	67.56	4.90
	80	50.02	4.56	53.27	4.73	56.52	4.90	58.86	4.96	63.01	5.05	66.26	5.15
	85	48.77	4.78	52.01	4.96	55.25	5.14	57.59	5.20	61.73	5.29	64.97	5.40
	90	47.51	5.00	50.75	5.19	53.98	5.38	56.31	5.44	60.44	5.54	63.67	5.65
	95	46.15	5.23	49.37	5.42	52.58	5.62	54.06	5.68	59.02	5.79	62.23	5.90
	100	45.03	5.45	48.25	5.65	51.46	5.85	53.36	5.92	57.89	6.03	61.11	6.15
	105	43.91	5.67	47.12	5.88	50.34	6.09	52.66	6.16	56.77	6.28	59.98	6.40
	110	42.78	5.89	46.00	6.11	49.21	6.33	51.54	6.40	55.64	6.52	58.86	6.66
115	41.66	6.11	44.87	6.34	48.09	6.57	50.41	6.65	54.52	6.77	57.74	6.91	
118	40.98	6.25	44.20	6.48	47.41	6.71	49.74	6.79	53.85	6.92	57.06	7.06	
122	40.76	6.43	43.97	6.66	47.19	6.90	49.51	6.98	53.62	7.11	56.84	7.26	

TC = Total Capacity (kBtu/h).

PI = Power Input (kW).

Nominal capacity as rated: 0 ft. above sea level with Piping Length as Main Pipe (16.4 ft.) + Branch pipe (98.4 ft.) = 115 ft.
0 ft. level difference between outdoor and indoor units.

Nominal cooling capacity rating obtained with air entering the indoor unit at 80°F dry bulb (DB) and 67°F wet bulb (WB), and outdoor ambient conditions of 95°F dry bulb (DB) and 75°F wet bulb (WB).

The shaded table columns and rows indicate reference data. When operating at this temperature, these values can be different if the system is not running consistently.

Multi F and Multi F MAX Heat Pump System Engineering Manual

Table 291: LMU540HV Cooling Capacity Table — Ducted Indoor Units (continued).

Combination Capacity Index (kBtu/h[%])	Outdoor Air Temp. (°F DB)	Indoor Air Temp. °F DB / °F WB											
		68 / 57		73 / 61		77 / 64		80 / 67		86 / 72		90 / 75	
		TC	PI	TC	PI	TC	PI	TC	PI	TC	PI	TC	PI
Ducted Indoor Units 70 (130%)	14	52.52	3.50	55.79	3.63	59.05	3.76	61.40	3.80	65.57	3.87	68.83	3.95
	20	52.48	3.55	55.74	3.68	59.00	3.81	61.36	3.86	65.52	3.93	68.78	4.01
	25	52.44	3.60	55.70	3.73	58.96	3.87	61.31	3.91	65.47	3.98	68.73	4.06
	30	52.40	3.65	55.66	3.78	58.91	3.92	61.26	3.97	65.42	4.04	68.68	4.12
	35	52.36	3.70	55.62	3.83	58.87	3.97	61.22	4.02	65.37	4.10	68.62	4.18
	40	52.32	3.75	55.57	3.89	58.82	4.03	61.17	4.07	65.32	4.15	68.57	4.23
	45	52.28	3.80	55.53	3.94	58.78	4.08	61.12	4.13	65.27	4.21	68.52	4.29
	50	52.24	3.85	55.49	3.99	58.73	4.14	61.08	4.18	65.22	4.26	68.47	4.35
	55	52.20	3.90	55.45	4.04	58.69	4.19	61.03	4.24	65.17	4.32	68.41	4.40
	60	52.16	3.95	55.40	4.09	58.64	4.24	60.98	4.29	65.12	4.37	68.36	4.46
	65	52.12	4.00	55.36	4.15	58.60	4.30	60.94	4.35	65.07	4.43	68.31	4.52
	70	52.08	4.05	55.32	4.20	58.55	4.35	60.89	4.40	65.02	4.48	68.26	4.58
	75	50.83	4.27	54.06	4.43	57.28	4.59	59.61	4.64	63.74	4.73	66.96	4.82
	80	49.58	4.49	52.80	4.65	56.01	4.82	58.34	4.88	62.45	4.97	65.67	5.07
	85	48.33	4.71	51.55	4.88	54.76	5.06	57.08	5.11	61.18	5.21	64.39	5.32
	90	47.09	4.93	50.30	5.11	53.50	5.29	55.81	5.35	59.90	5.45	63.11	5.56
	95	45.74	5.14	48.93	5.33	52.12	5.53	53.58	5.59	58.49	5.69	61.68	5.81
	100	44.63	5.36	47.82	5.56	51.00	5.76	52.89	5.83	57.38	5.94	60.56	6.06
	105	43.52	5.58	46.70	5.78	49.89	6.00	52.19	6.07	56.26	6.18	59.45	6.30
	110	42.40	5.80	45.59	6.01	48.78	6.23	51.08	6.30	55.15	6.42	58.34	6.55
115	41.29	6.02	44.48	6.24	47.66	6.47	49.96	6.54	54.04	6.66	57.22	6.80	
118	40.62	6.15	43.81	6.37	46.99	6.61	49.30	6.68	53.37	6.81	56.55	6.94	
122	40.40	6.32	43.58	6.55	46.77	6.79	49.07	6.87	53.14	7.00	56.33	7.14	
Ducted Indoor Units 65 (120%)	14	51.73	3.40	54.94	3.53	58.16	3.66	60.48	3.70	64.58	3.77	67.79	3.84
	20	51.69	3.45	54.90	3.58	58.11	3.71	60.43	3.75	64.53	3.82	67.74	3.90
	25	51.65	3.50	54.86	3.63	58.07	3.76	60.38	3.81	64.48	3.88	67.69	3.96
	30	51.61	3.55	54.82	3.68	58.02	3.82	60.34	3.86	64.43	3.93	67.64	4.01
	35	51.57	3.60	54.78	3.73	57.98	3.87	60.29	3.91	64.38	3.99	67.59	4.07
	40	51.53	3.65	54.73	3.78	57.93	3.92	60.25	3.97	64.33	4.04	67.54	4.12
	45	51.49	3.70	54.69	3.83	57.89	3.97	60.20	4.02	64.29	4.09	67.48	4.18
	50	51.45	3.75	54.65	3.88	57.85	4.03	60.15	4.07	64.24	4.15	67.43	4.23
	55	51.41	3.80	54.61	3.93	57.80	4.08	60.11	4.12	64.19	4.20	67.38	4.29
	60	51.38	3.84	54.57	3.98	57.76	4.13	60.06	4.18	64.14	4.26	67.33	4.34
	65	51.34	3.89	54.52	4.04	57.71	4.18	60.01	4.23	64.09	4.31	67.28	4.40
	70	51.30	3.94	54.48	4.09	57.67	4.24	59.97	4.28	64.04	4.36	67.22	4.45
	75	50.06	4.16	53.24	4.31	56.42	4.46	58.71	4.52	62.77	4.60	65.95	4.69
	80	48.83	4.37	52.00	4.53	55.17	4.69	57.46	4.75	61.51	4.84	64.68	4.93
	85	47.60	4.58	50.77	4.75	53.93	4.92	56.21	4.98	60.25	5.07	63.41	5.17
	90	46.38	4.79	49.53	4.97	52.69	5.15	54.97	5.21	59.00	5.31	62.15	5.41
	95	45.05	5.01	48.19	5.19	51.33	5.38	52.77	5.44	57.61	5.54	60.75	5.65
	100	43.96	5.22	47.09	5.41	50.23	5.61	52.09	5.67	56.51	5.78	59.65	5.89
	105	42.86	5.43	46.00	5.63	49.14	5.84	51.40	5.90	55.41	6.01	58.55	6.13
	110	41.76	5.64	44.90	5.85	48.04	6.06	50.31	6.13	54.32	6.25	57.45	6.37
115	40.66	5.86	43.80	6.07	46.94	6.29	49.21	6.36	53.22	6.48	56.36	6.61	
118	40.01	5.98	43.14	6.20	46.28	6.43	48.55	6.50	52.56	6.63	55.70	6.76	
122	39.79	6.15	42.93	6.38	46.06	6.61	48.33	6.69	52.34	6.81	55.48	6.95	

TC = Total Capacity (kBtu/h).

PI = Power Input (kW).

Nominal capacity as rated: 0 ft. above sea level with Piping Length as Main Pipe (16.4 ft.) + Branch pipe (98.4 ft.) = 115 ft.
0 ft. level difference between outdoor and indoor units.

Nominal cooling capacity rating obtained with air entering the indoor unit at 80°F dry bulb (DB) and 67°F wet bulb (WB), and outdoor ambient conditions of 95°F dry bulb (DB) and 75°F wet bulb (WB).

The shaded table columns and rows indicate reference data. When operating at this temperature, these values can be different if the system is not running consistently.

PERFORMANCE DATA

Cooling Capacity Tables

MULTI F
MULTI F MAX

Table 292: LMU540HV Cooling Capacity Table — Ducted Indoor Units (continued).

Combination Capacity Index (kBtu/h[%])	Outdoor Air Temp. (°F DB)	Indoor Air Temp. °F DB / °F WB											
		68 / 57		73 / 61		77 / 64		80 / 67		86 / 72		90 / 75	
		TC	PI	TC	PI	TC	PI	TC	PI	TC	PI	TC	PI
Ducted Indoor Units 59 (110%)	14	50.79	3.29	53.94	3.41	57.10	3.53	59.38	3.57	63.41	3.64	66.56	3.71
	20	50.75	3.33	53.90	3.45	57.05	3.58	59.33	3.62	63.36	3.69	66.51	3.76
	25	50.71	3.38	53.86	3.50	57.01	3.63	59.29	3.67	63.31	3.74	66.46	3.82
	30	50.67	3.43	53.82	3.55	56.97	3.68	59.24	3.72	63.26	3.79	66.41	3.87
	35	50.63	3.47	53.78	3.60	56.92	3.73	59.19	3.78	63.21	3.85	66.36	3.92
	40	50.60	3.52	53.74	3.65	56.88	3.78	59.15	3.83	63.16	3.90	66.31	3.98
	45	50.56	3.57	53.70	3.70	56.84	3.83	59.10	3.88	63.12	3.95	66.26	4.03
	50	50.52	3.62	53.66	3.75	56.79	3.88	59.06	3.93	63.07	4.00	66.21	4.08
	55	50.48	3.66	53.61	3.80	56.75	3.94	59.01	3.98	63.02	4.06	66.15	4.14
	60	50.44	3.71	53.57	3.85	56.71	3.99	58.97	4.03	62.97	4.11	66.10	4.19
	65	50.40	3.76	53.53	3.89	56.66	4.04	58.92	4.08	62.92	4.16	66.05	4.24
	70	50.36	3.80	53.49	3.94	56.62	4.09	58.88	4.13	62.87	4.21	66.00	4.30
	75	49.15	4.01	52.27	4.16	55.39	4.31	57.64	4.36	61.63	4.44	64.75	4.53
	80	47.94	4.22	51.05	4.37	54.16	4.53	56.41	4.58	60.39	4.67	63.50	4.76
	85	46.74	4.42	49.84	4.58	52.95	4.75	55.19	4.80	59.16	4.89	62.26	4.99
	90	45.54	4.63	48.63	4.79	51.73	4.97	53.97	5.03	57.92	5.12	61.02	5.22
	95	44.23	4.83	47.31	5.01	50.40	5.19	51.81	5.25	56.56	5.35	59.64	5.46
	100	43.16	5.04	46.24	5.22	49.32	5.41	51.14	5.47	55.48	5.58	58.56	5.69
	105	42.08	5.24	45.16	5.43	48.24	5.63	50.47	5.70	54.41	5.80	57.49	5.92
	110	41.00	5.45	44.08	5.65	47.16	5.85	49.39	5.92	53.33	6.03	56.41	6.15
115	39.92	5.65	43.01	5.86	46.09	6.07	48.31	6.14	52.25	6.26	55.33	6.38	
118	39.28	5.78	42.36	5.99	45.44	6.20	47.67	6.28	51.60	6.39	54.69	6.52	
122	39.06	5.94	42.14	6.16	45.23	6.38	47.45	6.45	51.39	6.58	54.47	6.71	
Ducted Indoor Units 54 (100%)	14	50.00	3.19	53.10	3.31	56.21	3.43	58.45	3.47	62.41	3.53	65.52	3.60
	20	49.96	3.24	53.06	3.36	56.16	3.48	58.40	3.52	62.37	3.58	65.47	3.66
	25	49.92	3.28	53.02	3.40	56.12	3.53	58.36	3.57	62.32	3.63	65.42	3.71
	30	49.88	3.33	52.98	3.45	56.08	3.58	58.31	3.62	62.27	3.69	65.37	3.76
	35	49.84	3.38	52.94	3.50	56.03	3.63	58.27	3.67	62.22	3.74	65.32	3.81
	40	49.80	3.42	52.90	3.55	55.99	3.68	58.22	3.72	62.18	3.79	65.27	3.86
	45	49.77	3.47	52.86	3.59	55.95	3.72	58.18	3.77	62.13	3.84	65.22	3.92
	50	49.73	3.51	52.82	3.64	55.90	3.77	58.14	3.82	62.08	3.89	65.17	3.97
	55	49.69	3.56	52.78	3.69	55.86	3.82	58.09	3.87	62.03	3.94	65.12	4.02
	60	49.65	3.60	52.74	3.74	55.82	3.87	58.05	3.92	61.99	3.99	65.07	4.07
	65	49.61	3.65	52.70	3.78	55.78	3.92	58.00	3.97	61.94	4.04	65.02	4.12
	70	49.58	3.70	52.65	3.83	55.73	3.97	57.96	4.02	61.89	4.09	64.97	4.17
	75	48.38	3.90	51.45	4.04	54.53	4.19	56.74	4.23	60.67	4.31	63.74	4.40
	80	47.19	4.09	50.25	4.24	53.32	4.40	55.53	4.45	59.44	4.53	62.51	4.62
	85	46.01	4.29	49.06	4.45	52.12	4.61	54.33	4.67	58.23	4.75	61.29	4.85
	90	44.82	4.49	47.87	4.66	50.92	4.83	53.12	4.88	57.02	4.97	60.07	5.07
	95	43.54	4.69	46.57	4.86	49.61	5.04	51.00	5.10	55.68	5.20	58.71	5.30
	100	42.48	4.89	45.51	5.07	48.55	5.26	50.34	5.32	54.61	5.42	57.65	5.53
	105	41.42	5.09	44.45	5.28	47.49	5.47	49.68	5.53	53.55	5.64	56.59	5.75
	110	40.36	5.29	43.39	5.48	46.43	5.68	48.62	5.75	52.49	5.86	55.53	5.98
115	39.30	5.49	42.33	5.69	45.37	5.90	47.56	5.97	51.43	6.08	54.47	6.20	
118	38.66	5.61	41.70	5.82	44.73	6.03	46.92	6.10	50.80	6.21	53.83	6.34	
122	38.45	5.77	41.49	5.98	44.52	6.20	46.71	6.27	50.59	6.39	53.62	6.52	

TC = Total Capacity (kBtu/h).

PI = Power Input (kW).

Nominal capacity as rated: 0 ft. above sea level with Piping Length as Main Pipe (16.4 ft.) + Branch pipe (98.4 ft.) = 115 ft.
0 ft. level difference between outdoor and indoor units.

Nominal cooling capacity rating obtained with air entering the indoor unit at 80°F dry bulb (DB) and 67°F wet bulb (WB), and outdoor ambient conditions of 95°F dry bulb (DB) and 75°F wet bulb (WB).

The shaded table columns and rows indicate reference data. When operating at this temperature, these values can be different if the system is not running consistently.

Multi F and Multi F MAX Heat Pump System Engineering Manual

Table 293: LMU540HV Cooling Capacity Table — Ducted Indoor Units (continued).

Combination Capacity Index (kBtu/h[%])	Outdoor Air Temp. (°F DB)	Indoor Air Temp. °F DB / °F WB											
		68 / 57		73 / 61		77 / 64		80 / 67		86 / 72		90 / 75	
		TC	PI	TC	PI	TC	PI	TC	PI	TC	PI	TC	PI
Ducted Indoor Units 49 (90%)	14	45.37	2.82	48.19	2.93	51.00	3.03	53.04	3.07	56.64	3.12	59.46	3.19
	20	45.33	2.86	48.15	2.97	50.96	3.08	53.00	3.11	56.60	3.17	59.41	3.23
	25	45.30	2.90	48.11	3.01	50.93	3.12	52.96	3.16	56.55	3.21	59.37	3.28
	30	45.26	2.94	48.08	3.05	50.89	3.16	52.92	3.20	56.51	3.26	59.32	3.32
	35	45.23	2.98	48.04	3.09	50.85	3.21	52.88	3.24	56.47	3.30	59.27	3.37
	40	45.20	3.03	48.00	3.14	50.81	3.25	52.84	3.29	56.42	3.35	59.23	3.42
	45	45.16	3.07	47.97	3.18	50.77	3.29	52.80	3.33	56.38	3.39	59.18	3.46
	50	45.13	3.11	47.93	3.22	50.73	3.34	52.76	3.38	56.34	3.44	59.14	3.51
	55	45.09	3.15	47.89	3.26	50.69	3.38	52.71	3.42	56.29	3.48	59.09	3.55
	60	45.06	3.19	47.85	3.30	50.65	3.42	52.67	3.46	56.25	3.53	59.05	3.60
	65	45.02	3.23	47.82	3.35	50.61	3.47	52.63	3.51	56.21	3.57	59.00	3.65
	70	44.99	3.27	47.78	3.39	50.58	3.51	52.59	3.55	56.16	3.62	58.96	3.69
	75	43.90	3.44	46.69	3.57	49.48	3.70	51.49	3.74	55.05	3.81	57.84	3.89
	80	42.82	3.62	45.60	3.75	48.38	3.89	50.39	3.94	53.94	4.01	56.72	4.09
	85	41.75	3.80	44.52	3.94	47.30	4.08	49.30	4.13	52.84	4.20	55.62	4.29
	90	40.68	3.97	43.44	4.12	46.21	4.27	48.21	4.32	51.74	4.40	54.51	4.49
	95	39.51	4.15	42.26	4.30	45.02	4.46	46.28	4.51	50.52	4.59	53.28	4.69
	100	38.55	4.33	41.30	4.48	44.05	4.65	45.68	4.70	49.56	4.79	52.31	4.89
	105	37.59	4.50	40.34	4.67	43.09	4.84	45.08	4.89	48.60	4.98	51.35	5.09
	110	36.63	4.68	39.38	4.85	42.13	5.03	44.12	5.08	47.64	5.18	50.39	5.28
115	35.66	4.86	38.42	5.03	41.17	5.22	43.16	5.28	46.67	5.38	49.43	5.48	
118	35.09	4.96	37.84	5.14	40.59	5.33	42.58	5.39	46.10	5.49	48.85	5.60	
122	34.89	5.10	37.65	5.29	40.40	5.48	42.39	5.54	45.90	5.65	48.66	5.76	
Ducted Indoor Units 43 (80%)	14	39.81	2.38	42.28	2.46	44.75	2.55	46.54	2.58	49.70	2.63	52.17	2.69
	20	39.78	2.41	42.25	2.50	44.72	2.59	46.50	2.62	49.66	2.67	52.13	2.72
	25	39.75	2.45	42.22	2.54	44.69	2.63	46.47	2.66	49.62	2.71	52.09	2.76
	30	39.72	2.48	42.19	2.57	44.65	2.66	46.43	2.70	49.59	2.75	52.05	2.80
	35	39.69	2.51	42.15	2.61	44.62	2.70	46.40	2.73	49.55	2.78	52.01	2.84
	40	39.66	2.55	42.12	2.64	44.58	2.74	46.36	2.77	49.51	2.82	51.97	2.88
	45	39.63	2.58	42.09	2.68	44.55	2.78	46.33	2.81	49.47	2.86	51.93	2.92
	50	39.60	2.62	42.06	2.71	44.52	2.81	46.29	2.84	49.43	2.90	51.89	2.96
	55	39.57	2.65	42.02	2.75	44.48	2.85	46.26	2.88	49.40	2.94	51.85	2.99
	60	39.54	2.69	41.99	2.78	44.45	2.89	46.22	2.92	49.36	2.97	51.81	3.03
	65	39.51	2.72	41.96	2.82	44.41	2.92	46.19	2.96	49.32	3.01	51.77	3.07
	70	39.48	2.75	41.93	2.85	44.38	2.96	46.15	2.99	49.28	3.05	51.73	3.11
	75	38.53	2.90	40.97	3.01	43.42	3.12	45.18	3.15	48.31	3.21	50.75	3.28
	80	37.58	3.05	40.02	3.16	42.46	3.28	44.22	3.32	47.33	3.38	49.77	3.45
	85	36.63	3.20	39.07	3.32	41.50	3.44	43.26	3.48	46.37	3.54	48.80	3.61
	90	35.69	3.35	38.12	3.47	40.55	3.60	42.30	3.64	45.40	3.71	47.83	3.78
	95	34.67	3.50	37.09	3.62	39.50	3.76	40.61	3.80	44.33	3.87	46.75	3.95
	100	33.83	3.65	36.24	3.78	38.66	3.92	40.08	3.96	43.49	4.04	45.90	4.12
	105	32.98	3.79	35.40	3.93	37.81	4.08	39.56	4.12	42.64	4.20	45.06	4.28
	110	32.14	3.94	34.55	4.09	36.97	4.24	38.71	4.28	41.80	4.36	44.22	4.45
115	31.29	4.09	33.71	4.24	36.12	4.40	37.87	4.45	40.96	4.53	43.37	4.62	
118	30.79	4.18	33.20	4.33	35.62	4.49	37.36	4.54	40.45	4.63	42.86	4.72	
122	30.62	4.30	33.03	4.46	35.45	4.62	37.19	4.67	40.28	4.76	42.70	4.86	

TC = Total Capacity (kBtu/h).

PI = Power Input (kW).

Nominal capacity as rated: 0 ft. above sea level with Piping Length as Main Pipe (16.4 ft.) + Branch pipe (98.4 ft.) = 115 ft.
0 ft. level difference between outdoor and indoor units.

Nominal cooling capacity rating obtained with air entering the indoor unit at 80°F dry bulb (DB) and 67°F wet bulb (WB), and outdoor ambient conditions of 95°F dry bulb (DB) and 75°F wet bulb (WB).

The shaded table columns and rows indicate reference data. When operating at this temperature, these values can be different if the system is not running consistently.

PERFORMANCE DATA

Cooling Capacity Tables

MULTI F
MULTI F MAX

Table 294: LMU540HV Cooling Capacity Table — Ducted Indoor Units (continued).

Combination Capacity Index (kBtu/h[%])	Outdoor Air Temp. (°F DB)	Indoor Air Temp. °F DB / °F WB											
		68 / 57		73 / 61		77 / 64		80 / 67		86 / 72		90 / 75	
		TC	PI	TC	PI	TC	PI	TC	PI	TC	PI	TC	PI
Ducted Indoor Units 38 (70%)	14	35.18	2.01	37.37	2.08	39.55	2.16	41.13	2.18	43.92	2.22	46.11	2.27
	20	35.16	2.04	37.34	2.11	39.52	2.19	41.10	2.21	43.89	2.26	46.07	2.30
	25	35.13	2.07	37.31	2.14	39.49	2.22	41.07	2.25	43.86	2.29	46.04	2.33
	30	35.10	2.10	37.28	2.17	39.46	2.25	41.04	2.28	43.82	2.32	46.00	2.37
	35	35.08	2.12	37.25	2.20	39.43	2.28	41.01	2.31	43.79	2.35	45.97	2.40
	40	35.05	2.15	37.23	2.23	39.40	2.31	40.97	2.34	43.76	2.38	45.93	2.43
	45	35.02	2.18	37.20	2.26	39.37	2.34	40.94	2.37	43.72	2.42	45.90	2.46
	50	35.00	2.21	37.17	2.29	39.34	2.38	40.91	2.40	43.69	2.45	45.86	2.50
	55	34.97	2.24	37.14	2.32	39.31	2.41	40.88	2.43	43.65	2.48	45.83	2.53
	60	34.94	2.27	37.11	2.35	39.28	2.44	40.85	2.47	43.62	2.51	45.79	2.56
	65	34.91	2.30	37.08	2.38	39.25	2.47	40.82	2.50	43.59	2.54	45.76	2.59
	70	34.89	2.33	37.05	2.41	39.22	2.50	40.79	2.53	43.55	2.58	45.72	2.63
	75	34.05	2.45	36.21	2.54	38.37	2.63	39.93	2.66	42.69	2.71	44.85	2.77
	80	33.21	2.58	35.36	2.67	37.52	2.77	39.08	2.80	41.83	2.85	43.99	2.91
	85	32.38	2.70	34.53	2.80	36.68	2.90	38.23	2.94	40.98	2.99	43.13	3.05
	90	31.54	2.83	33.69	2.93	35.84	3.04	37.38	3.07	40.13	3.13	42.27	3.19
	95	30.64	2.95	32.78	3.06	34.91	3.17	35.89	3.21	39.18	3.27	41.31	3.34
	100	29.90	3.08	32.03	3.19	34.16	3.31	35.43	3.35	38.43	3.41	40.57	3.48
	105	29.15	3.20	31.28	3.32	33.42	3.44	34.96	3.48	37.69	3.55	39.82	3.62
	110	28.40	3.33	30.54	3.45	32.67	3.58	34.21	3.62	36.94	3.69	39.08	3.76
115	27.66	3.46	29.79	3.58	31.93	3.71	33.47	3.76	36.20	3.83	38.33	3.90	
118	27.21	3.53	29.34	3.66	31.48	3.79	33.02	3.84	35.75	3.91	37.88	3.99	
122	27.06	3.63	29.19	3.76	31.33	3.90	32.87	3.95	35.60	4.02	37.73	4.10	
Ducted Indoor Units 32 (60%)	14	29.62	1.56	31.46	1.62	33.30	1.68	34.63	1.70	36.98	1.73	38.82	1.77
	20	29.60	1.59	31.44	1.64	33.28	1.70	34.61	1.72	36.96	1.76	38.79	1.79
	25	29.58	1.61	31.42	1.67	33.25	1.73	34.58	1.75	36.93	1.78	38.76	1.82
	30	29.56	1.63	31.39	1.69	33.23	1.75	34.55	1.77	36.90	1.81	38.73	1.84
	35	29.53	1.65	31.37	1.71	33.20	1.78	34.53	1.80	36.87	1.83	38.71	1.87
	40	29.51	1.68	31.34	1.74	33.18	1.80	34.50	1.82	36.84	1.86	38.68	1.89
	45	29.49	1.70	31.32	1.76	33.15	1.83	34.47	1.85	36.81	1.88	38.65	1.92
	50	29.47	1.72	31.30	1.78	33.13	1.85	34.45	1.87	36.79	1.91	38.62	1.94
	55	29.44	1.74	31.27	1.81	33.10	1.87	34.42	1.90	36.76	1.93	38.59	1.97
	60	29.42	1.77	31.25	1.83	33.08	1.90	34.40	1.92	36.73	1.96	38.56	2.00
	65	29.40	1.79	31.22	1.85	33.05	1.92	34.37	1.94	36.70	1.98	38.53	2.02
	70	29.38	1.81	31.20	1.88	33.02	1.95	34.34	1.97	36.67	2.01	38.50	2.05
	75	28.67	1.91	30.49	1.98	32.31	2.05	33.62	2.08	35.95	2.11	37.77	2.16
	80	27.96	2.01	29.78	2.08	31.59	2.16	32.90	2.18	35.22	2.22	37.04	2.27
	85	27.26	2.10	29.07	2.18	30.88	2.26	32.19	2.29	34.51	2.33	36.32	2.38
	90	26.56	2.20	28.37	2.28	30.17	2.37	31.48	2.39	33.79	2.44	35.59	2.49
	95	25.80	2.30	27.60	2.38	29.40	2.47	30.22	2.50	32.99	2.55	34.79	2.60
	100	25.17	2.40	26.97	2.49	28.77	2.58	29.83	2.61	32.36	2.66	34.16	2.71
	105	24.54	2.50	26.34	2.59	28.14	2.68	29.44	2.71	31.73	2.76	33.53	2.82
	110	23.92	2.59	25.71	2.69	27.51	2.79	28.81	2.82	31.11	2.87	32.90	2.93
115	23.29	2.69	25.08	2.79	26.88	2.89	28.18	2.92	30.48	2.98	32.27	3.04	
118	22.91	2.75	24.71	2.85	26.51	2.95	27.80	2.99	30.10	3.04	31.90	3.11	
122	22.78	2.83	24.58	2.93	26.38	3.04	27.68	3.07	29.97	3.13	31.77	3.19	

TC = Total Capacity (kBtu/h).

PI = Power Input (kW).

Nominal capacity as rated: 0 ft. above sea level with Piping Length as Main Pipe (16.4 ft.) + Branch pipe (98.4 ft.) = 115 ft.
0 ft. level difference between outdoor and indoor units.

Nominal cooling capacity rating obtained with air entering the indoor unit at 80°F dry bulb (DB) and 67°F wet bulb (WB), and outdoor ambient conditions of 95°F dry bulb (DB) and 75°F wet bulb (WB).

The shaded table columns and rows indicate reference data. When operating at this temperature, these values can be different if the system is not running consistently.



Table 295: LMU540HV Cooling Capacity Table — Ducted Indoor Units (continued).

Combination Capacity Index (kBtu/h[%])	Outdoor Air Temp. (°F DB)	Indoor Air Temp. °F DB / °F WB											
		68 / 57		73 / 61		77 / 64		80 / 67		86 / 72		90 / 75	
		TC	PI	TC	PI	TC	PI	TC	PI	TC	PI	TC	PI
Ducted Indoor Units 27 (50%)	14	25.00	1.20	26.55	1.24	28.10	1.28	29.22	1.30	31.21	1.32	32.76	1.35
	20	24.98	1.21	26.53	1.26	28.08	1.30	29.20	1.32	31.18	1.34	32.73	1.37
	25	24.96	1.23	26.51	1.27	28.06	1.32	29.18	1.34	31.16	1.36	32.71	1.39
	30	24.94	1.25	26.49	1.29	28.04	1.34	29.16	1.35	31.14	1.38	32.68	1.41
	35	24.92	1.26	26.47	1.31	28.02	1.36	29.13	1.37	31.11	1.40	32.66	1.43
	40	24.90	1.28	26.45	1.33	28.00	1.38	29.11	1.39	31.09	1.42	32.63	1.45
	45	24.88	1.30	26.43	1.35	27.97	1.39	29.09	1.41	31.06	1.44	32.61	1.47
	50	24.86	1.32	26.41	1.36	27.95	1.41	29.07	1.43	31.04	1.46	32.58	1.49
	55	24.85	1.33	26.39	1.38	27.93	1.43	29.05	1.45	31.02	1.48	32.56	1.51
	60	24.83	1.35	26.37	1.40	27.91	1.45	29.02	1.47	30.99	1.49	32.54	1.52
	65	24.81	1.37	26.35	1.42	27.89	1.47	29.00	1.49	30.97	1.51	32.51	1.54
	70	24.79	1.38	26.33	1.43	27.87	1.49	28.98	1.50	30.95	1.53	32.49	1.56
	75	24.19	1.46	25.73	1.51	27.26	1.57	28.37	1.59	30.33	1.62	31.87	1.65
	80	23.59	1.53	25.13	1.59	26.66	1.65	27.76	1.67	29.72	1.70	31.25	1.73
	85	23.00	1.61	24.53	1.67	26.06	1.73	27.16	1.75	29.12	1.78	30.64	1.82
	90	22.41	1.68	23.94	1.74	25.46	1.81	26.56	1.83	28.51	1.86	30.03	1.90
	95	21.77	1.76	23.29	1.82	24.80	1.89	25.50	1.91	27.84	1.95	29.35	1.98
	100	21.24	1.83	22.76	1.90	24.27	1.97	25.17	1.99	27.31	2.03	28.82	2.07
	105	20.71	1.91	22.23	1.98	23.74	2.05	24.84	2.07	26.78	2.11	28.29	2.15
	110	20.18	1.98	21.70	2.05	23.21	2.13	24.31	2.15	26.25	2.19	27.76	2.24
115	19.65	2.06	21.17	2.13	22.68	2.21	23.78	2.23	25.72	2.28	27.23	2.32	
118	19.33	2.10	20.85	2.18	22.37	2.26	23.46	2.28	25.40	2.33	26.92	2.37	
122	19.23	2.16	20.74	2.24	22.26	2.32	23.35	2.35	25.29	2.39	26.81	2.44	
Ducted Indoor Units 24 (40%)	14	22.22	0.97	23.60	1.01	24.98	1.04	25.98	1.05	27.74	1.07	29.12	1.10
	20	22.21	0.98	23.59	1.02	24.96	1.06	25.96	1.07	27.72	1.09	29.10	1.11
	25	22.19	1.00	23.57	1.03	24.95	1.07	25.94	1.08	27.70	1.10	29.08	1.13
	30	22.17	1.01	23.55	1.05	24.93	1.09	25.92	1.10	27.68	1.12	29.06	1.14
	35	22.16	1.03	23.53	1.06	24.91	1.10	25.90	1.11	27.66	1.14	29.04	1.16
	40	22.14	1.04	23.51	1.08	24.89	1.12	25.88	1.13	27.64	1.15	29.01	1.17
	45	22.12	1.05	23.50	1.09	24.87	1.13	25.86	1.14	27.62	1.17	28.99	1.19
	50	22.10	1.07	23.48	1.11	24.85	1.15	25.84	1.16	27.60	1.18	28.97	1.21
	55	22.09	1.08	23.46	1.12	24.83	1.16	25.82	1.18	27.57	1.20	28.95	1.22
	60	22.07	1.10	23.44	1.14	24.81	1.18	25.80	1.19	27.55	1.21	28.92	1.24
	65	22.05	1.11	23.42	1.15	24.79	1.19	25.78	1.21	27.53	1.23	28.90	1.25
	70	22.04	1.12	23.41	1.16	24.77	1.21	25.76	1.22	27.51	1.24	28.88	1.27
	75	21.51	1.18	22.87	1.23	24.24	1.27	25.22	1.29	26.97	1.31	28.33	1.34
	80	20.98	1.24	22.34	1.29	23.70	1.34	24.68	1.35	26.42	1.38	27.79	1.41
	85	20.45	1.31	21.81	1.35	23.17	1.40	24.15	1.42	25.88	1.44	27.24	1.47
	90	19.93	1.37	21.28	1.42	22.64	1.47	23.61	1.48	25.35	1.51	26.70	1.54
	95	19.35	1.43	20.70	1.48	22.05	1.53	22.67	1.55	24.75	1.58	26.10	1.61
	100	18.88	1.49	20.23	1.54	21.58	1.60	22.38	1.62	24.28	1.65	25.63	1.68
	105	18.41	1.55	19.76	1.60	21.11	1.66	22.08	1.68	23.81	1.71	25.15	1.75
	110	17.94	1.61	19.29	1.67	20.64	1.73	21.61	1.75	23.33	1.78	24.68	1.82
115	17.47	1.67	18.82	1.73	20.17	1.79	21.14	1.81	22.86	1.85	24.21	1.88	
118	17.19	1.71	18.53	1.77	19.88	1.83	20.86	1.85	22.58	1.89	23.93	1.93	
122	17.09	1.75	18.44	1.82	19.79	1.88	20.76	1.91	22.49	1.94	23.83	1.98	

TC = Total Capacity (kBtu/h).

PI = Power Input (kW).

Nominal capacity as rated: 0 ft. above sea level with Piping Length as Main Pipe (16.4 ft.) + Branch pipe (98.4 ft.) = 115 ft.
0 ft. level difference between outdoor and indoor units.

Nominal cooling capacity rating obtained with air entering the indoor unit at 80°F dry bulb (DB) and 67°F wet bulb (WB), and outdoor ambient conditions of 95°F dry bulb (DB) and 75°F wet bulb (WB).

The shaded table columns and rows indicate reference data. When operating at this temperature, these values can be different if the system is not running consistently.

PERFORMANCE DATA

MULTI F
MULTI F MAX

Cooling Capacity Tables

Table 296: LMU540HV Cooling Capacity Table — Mixed Indoor Units.

Combination Capacity Index (kBtu/h[%])	Outdoor Air Temp. (°F DB)	Indoor Air Temp. °F DB / °F WB											
		68 / 57		73 / 61		77 / 64		80 / 67		86 / 72		90 / 75	
		TC	PI	TC	PI	TC	PI	TC	PI	TC	PI	TC	PI
Mixed Indoor Units 73 (135%)	14	53.78	3.55	57.12	3.68	60.46	3.82	62.87	3.86	67.14	3.94	70.48	4.01
	20	53.74	3.61	57.08	3.74	60.41	3.87	62.82	3.92	67.09	3.99	70.43	4.07
	25	53.70	3.66	57.03	3.79	60.37	3.93	62.78	3.97	67.04	4.05	70.37	4.13
	30	53.66	3.71	56.99	3.84	60.32	3.98	62.73	4.03	66.99	4.10	70.32	4.19
	35	53.62	3.76	56.94	3.90	60.27	4.04	62.68	4.08	66.93	4.16	70.26	4.25
	40	53.57	3.81	56.90	3.95	60.23	4.09	62.63	4.14	66.88	4.22	70.21	4.30
	45	53.53	3.86	56.86	4.00	60.18	4.15	62.58	4.20	66.83	4.27	70.16	4.36
	50	53.49	3.91	56.81	4.05	60.14	4.20	62.54	4.25	66.78	4.33	70.10	4.42
	55	53.45	3.96	56.77	4.11	60.09	4.26	62.49	4.31	66.73	4.39	70.05	4.48
	60	53.41	4.01	56.73	4.16	60.04	4.31	62.44	4.36	66.68	4.44	69.99	4.53
	65	53.37	4.07	56.68	4.21	60.00	4.37	62.39	4.42	66.63	4.50	69.94	4.59
	70	53.33	4.12	56.64	4.27	59.95	4.42	62.34	4.47	66.58	4.56	69.89	4.65
	75	52.04	4.34	55.35	4.50	58.65	4.66	61.04	4.71	65.26	4.80	68.56	4.90
	80	50.76	4.56	54.06	4.73	57.35	4.90	59.73	4.96	63.94	5.05	67.24	5.15
	85	49.49	4.78	52.78	4.96	56.06	5.14	58.44	5.20	62.64	5.29	65.93	5.40
	90	48.22	5.00	51.50	5.19	54.78	5.38	57.14	5.44	61.33	5.54	64.61	5.65
	95	46.84	5.23	50.10	5.42	53.36	5.62	54.86	5.68	59.89	5.79	63.15	5.90
	100	45.70	5.45	48.96	5.65	52.22	5.85	54.15	5.92	58.75	6.03	62.01	6.15
	105	44.56	5.67	47.82	5.88	51.08	6.09	53.44	6.16	57.61	6.28	60.87	6.40
	110	43.42	5.89	46.68	6.11	49.94	6.33	52.30	6.40	56.47	6.42	59.73	6.66
115	42.27	6.11	45.54	6.34	48.80	6.57	51.16	6.65	55.33	6.77	58.59	6.91	
118	41.59	6.25	44.85	6.48	48.12	6.71	50.47	6.79	54.64	6.92	57.91	7.06	
122	41.36	6.43	44.63	6.66	47.89	6.90	50.24	6.98	54.41	7.11	57.68	7.26	
Mixed Indoor Units 70 (130%)	14	53.30	3.50	56.61	3.63	59.92	3.76	62.31	3.80	66.54	3.87	69.85	3.95
	20	53.26	3.55	56.57	3.68	59.87	3.81	62.26	3.86	66.49	3.93	69.80	4.01
	25	53.22	3.60	56.52	3.73	59.83	3.87	62.21	3.91	66.44	3.98	69.74	4.06
	30	53.18	3.65	56.48	3.78	59.78	3.92	62.17	3.97	66.39	4.04	69.69	4.12
	35	53.14	3.70	56.44	3.83	59.74	3.97	62.12	4.02	66.34	4.10	69.64	4.18
	40	53.10	3.75	56.39	3.89	59.69	4.03	62.07	4.07	66.29	4.15	69.58	4.23
	45	53.05	3.80	56.35	3.94	59.64	4.08	62.02	4.13	66.23	4.21	69.53	4.29
	50	53.01	3.85	56.31	3.99	59.60	4.14	61.98	4.18	66.18	4.26	69.48	4.35
	55	52.97	3.90	56.26	4.04	59.55	4.19	61.93	4.24	66.13	4.32	69.42	4.40
	60	52.93	3.95	56.22	4.09	59.51	4.24	61.88	4.29	66.08	4.37	69.37	4.46
	65	52.89	4.00	56.18	4.15	59.46	4.30	61.83	4.35	66.03	4.43	69.32	4.52
	70	52.85	4.05	56.13	4.20	59.42	4.35	61.79	4.40	65.98	4.48	69.26	4.58
	75	51.58	4.27	54.85	4.43	58.13	4.59	60.49	4.64	64.68	4.73	67.95	4.82
	80	50.31	4.49	53.57	4.65	56.84	4.82	59.20	4.88	63.37	4.97	66.64	5.07
	85	49.05	4.71	52.31	4.88	55.56	5.06	57.92	5.11	62.08	5.21	65.34	5.32
	90	47.79	4.93	51.04	5.11	54.29	5.29	56.63	5.35	60.79	5.45	64.04	5.56
	95	46.42	5.14	49.65	5.33	52.89	5.53	54.37	5.59	59.35	5.69	62.59	5.81
	100	45.29	5.36	48.52	5.56	51.76	5.76	53.67	5.83	58.22	5.94	61.46	6.06
	105	44.16	5.58	47.39	5.78	50.63	6.00	52.96	6.07	57.09	6.18	60.33	6.30
	110	43.03	5.80	46.26	6.01	49.50	6.23	51.83	6.30	55.96	6.42	59.20	6.55
115	41.90	6.02	45.13	6.24	48.36	6.47	50.70	6.54	54.83	6.66	58.07	6.80	
118	41.22	6.15	44.45	6.37	47.69	6.61	50.02	6.68	54.15	6.81	57.39	6.94	
122	40.99	6.32	44.23	6.55	47.46	6.79	49.80	6.87	53.93	7.00	57.16	7.14	

TC = Total Capacity (kBtu/h).

PI = Power Input (kW).

Nominal capacity as rated: 0 ft. above sea level with Piping Length as Main Pipe (16.4 ft.) + Branch pipe (98.4 ft.) = 115 ft.
0 ft. level difference between outdoor and indoor units.

Nominal cooling capacity rating obtained with air entering the indoor unit at 80°F dry bulb (DB) and 67°F wet bulb (WB), and outdoor ambient conditions of 95°F dry bulb (DB) and 75°F wet bulb (WB).

The shaded table columns and rows indicate reference data. When operating at this temperature, these values can be different if the system is not running consistently.

Multi F and Multi F MAX Heat Pump System Engineering Manual

Table 297: LMU540HV Cooling Capacity Table — Mixed Indoor Units (continued).

Combination Capacity Index (kBtu/h[%])	Outdoor Air Temp. (°F DB)	Indoor Air Temp. °F DB / °F WB											
		68 / 57		73 / 61		77 / 64		80 / 67		86 / 72		90 / 75	
		TC	PI	TC	PI	TC	PI	TC	PI	TC	PI	TC	PI
Mixed Indoor Units 65 (120%)	14	52.49	3.40	55.76	3.53	59.02	3.66	61.37	3.70	65.54	3.77	68.80	3.84
	20	52.45	3.45	55.71	3.58	58.97	3.71	61.32	3.75	65.49	3.82	68.74	3.90
	25	52.41	3.50	55.67	3.63	58.93	3.76	61.28	3.81	65.44	3.88	68.69	3.96
	30	52.37	3.55	55.63	3.68	58.88	3.82	61.23	3.86	65.39	3.93	68.64	4.01
	35	52.33	3.60	55.58	3.73	58.84	3.87	61.18	3.91	65.34	3.99	68.59	4.07
	40	52.29	3.65	55.54	3.78	58.79	3.92	61.14	3.97	65.29	4.04	68.53	4.12
	45	52.25	3.70	55.50	3.83	58.75	3.97	61.09	4.02	65.24	4.09	68.48	4.18
	50	52.21	3.75	55.46	3.88	58.70	4.03	61.04	4.07	65.19	4.15	68.43	4.23
	55	52.17	3.80	55.41	3.93	58.66	4.08	61.00	4.12	65.14	4.20	68.38	4.29
	60	52.13	3.84	55.37	3.98	58.61	4.13	60.95	4.18	65.09	4.26	68.32	4.34
	65	52.09	3.89	55.33	4.04	58.57	4.18	60.90	4.23	65.04	4.31	68.27	4.40
	70	52.05	3.94	55.29	4.09	58.52	4.24	60.85	4.28	64.99	4.36	68.22	4.45
	75	50.80	4.16	54.03	4.31	57.25	4.46	59.58	4.52	63.70	4.60	66.93	4.69
	80	49.55	4.37	52.77	4.53	55.98	4.69	58.31	4.75	62.42	4.84	65.63	4.93
	85	48.31	4.58	51.52	4.75	54.73	4.92	57.04	4.98	61.14	5.07	64.35	5.17
	90	47.07	4.79	50.27	4.97	53.47	5.15	55.78	5.21	59.87	5.31	63.07	5.41
	95	45.72	5.01	48.90	5.19	52.09	5.38	53.55	5.44	58.46	5.54	61.64	5.65
	100	44.61	5.22	47.79	5.41	50.98	5.61	52.86	5.67	57.35	5.78	60.53	5.89
	105	43.49	5.43	46.68	5.63	49.86	5.84	52.16	5.90	56.23	6.01	59.42	6.13
	110	42.38	5.64	45.56	5.85	48.75	6.06	51.05	6.13	55.12	6.25	58.30	6.37
115	41.27	5.86	44.45	6.07	47.64	6.29	49.94	6.36	54.01	6.48	57.19	6.61	
118	40.60	5.98	43.78	6.20	46.97	6.43	49.27	6.50	53.34	6.63	56.52	6.76	
122	40.37	6.15	43.56	6.38	46.74	6.61	49.05	6.69	53.11	6.81	56.30	6.95	
Mixed Indoor Units 59 (110%)	14	51.53	3.29	54.73	3.41	57.94	3.53	60.25	3.57	64.34	3.64	67.54	3.71
	20	51.49	3.33	54.69	3.45	57.89	3.58	60.20	3.62	64.29	3.69	67.49	3.76
	25	51.46	3.38	54.65	3.50	57.85	3.63	60.15	3.67	64.24	3.74	67.43	3.82
	30	51.42	3.43	54.61	3.55	57.80	3.68	60.11	3.72	64.19	3.79	67.38	3.87
	35	51.38	3.47	54.57	3.60	57.76	3.73	60.06	3.78	64.14	3.85	67.33	3.92
	40	51.34	3.52	54.53	3.65	57.71	3.78	60.02	3.83	64.09	3.90	67.28	3.98
	45	51.30	3.57	54.48	3.70	57.67	3.83	59.97	3.88	64.04	3.95	67.23	4.03
	50	51.26	3.62	54.44	3.75	57.63	3.88	59.93	3.93	63.99	4.00	67.18	4.08
	55	51.22	3.66	54.40	3.80	57.58	3.94	59.88	3.98	63.94	4.06	67.12	4.14
	60	51.18	3.71	54.36	3.85	57.54	3.99	59.83	4.03	63.89	4.11	67.07	4.19
	65	51.14	3.76	54.32	3.89	57.49	4.04	59.79	4.08	63.85	4.16	67.02	4.24
	70	51.10	3.80	54.28	3.94	57.45	4.09	59.74	4.13	63.80	4.21	66.97	4.30
	75	49.87	4.01	53.04	4.16	56.20	4.31	58.49	4.36	62.54	4.44	65.70	4.53
	80	48.64	4.22	51.80	4.37	54.96	4.53	57.24	4.58	61.27	4.67	64.43	4.76
	85	47.42	4.42	50.57	4.58	53.72	4.75	56.00	4.80	60.02	4.89	63.17	4.99
	90	46.20	4.63	49.35	4.79	52.49	4.97	54.76	5.03	58.77	5.12	61.92	5.22
	95	44.88	4.83	48.01	5.01	51.14	5.19	52.57	5.25	57.39	5.35	60.52	5.46
	100	43.79	5.04	46.92	5.22	50.04	5.41	51.89	5.47	56.30	5.58	59.42	5.69
	105	42.70	5.24	45.82	5.43	48.95	5.63	51.21	5.70	55.20	5.80	58.33	5.92
	110	41.60	5.45	44.73	5.65	47.86	5.85	50.11	5.92	54.11	6.03	57.24	6.15
115	40.51	5.65	43.64	5.86	46.76	6.07	49.02	6.14	53.02	6.26	56.14	6.38	
118	39.85	5.78	42.98	5.99	46.11	6.20	48.37	6.28	52.36	6.39	55.49	6.52	
122	39.64	5.94	42.76	6.16	45.89	6.38	48.15	6.45	52.14	6.58	55.27	6.71	

TC = Total Capacity (kBtu/h).

PI = Power Input (kW).

Nominal capacity as rated: 0 ft. above sea level with Piping Length as Main Pipe (16.4 ft.) + Branch pipe (98.4 ft.) = 115 ft.
0 ft. level difference between outdoor and indoor units.

Nominal cooling capacity rating obtained with air entering the indoor unit at 80°F dry bulb (DB) and 67°F wet bulb (WB), and outdoor ambient conditions of 95°F dry bulb (DB) and 75°F wet bulb (WB).

The shaded table columns and rows indicate reference data. When operating at this temperature, these values can be different if the system is not running consistently.

PERFORMANCE DATA

MULTI F
MULTI F MAX

Cooling Capacity Tables

Table 298: LMU540HV Cooling Capacity Table — Mixed Indoor Units (continued).

Combination Capacity Index (kBtu/h[%])	Outdoor Air Temp. (°F DB)	Indoor Air Temp. °F DB / °F WB											
		68 / 57		73 / 61		77 / 64		80 / 67		86 / 72		90 / 75	
		TC	PI	TC	PI	TC	PI	TC	PI	TC	PI	TC	PI
Mixed Indoor Units 54 (100%)	14	50.73	3.19	53.88	3.31	57.03	3.43	59.31	3.47	63.33	3.53	66.48	3.60
	20	50.69	3.24	53.84	3.36	56.99	3.48	59.26	3.52	63.28	3.58	66.43	3.66
	25	50.65	3.28	53.80	3.40	56.94	3.53	59.22	3.57	63.24	3.63	66.38	3.71
	30	50.61	3.33	53.76	3.45	56.90	3.58	59.17	3.62	63.19	3.69	66.33	3.76
	35	50.58	3.38	53.72	3.50	56.86	3.63	59.13	3.67	63.14	3.74	66.28	3.81
	40	50.54	3.42	53.68	3.55	56.81	3.68	59.08	3.72	63.09	3.79	66.23	3.86
	45	50.50	3.47	53.63	3.59	56.77	3.72	59.04	3.77	63.04	3.84	66.18	3.92
	50	50.46	3.51	53.59	3.64	56.73	3.77	58.99	3.82	62.99	3.89	66.13	3.97
	55	50.42	3.56	53.55	3.69	56.68	3.82	58.95	3.87	62.95	3.94	66.08	4.02
	60	50.38	3.60	53.51	3.74	56.64	3.87	58.90	3.92	62.90	3.99	66.03	4.07
	65	50.34	3.65	53.47	3.78	56.60	3.92	58.85	3.97	62.85	4.04	65.98	4.12
	70	50.30	3.70	53.43	3.83	56.55	3.97	58.81	4.02	62.80	4.09	65.93	4.17
	75	49.09	3.90	52.21	4.04	55.33	4.19	57.58	4.23	61.56	4.31	64.68	4.40
	80	47.88	4.09	50.99	4.24	54.10	4.40	56.35	4.45	60.32	4.53	63.43	4.62
	85	46.68	4.29	49.78	4.45	52.89	4.61	55.13	4.67	59.09	4.75	62.19	4.85
	90	45.48	4.49	48.58	4.66	51.67	4.83	53.90	4.88	57.86	4.97	60.95	5.07
	95	44.18	4.69	47.26	4.86	50.34	5.04	51.75	5.10	56.49	5.20	59.57	5.30
	100	43.11	4.89	46.18	5.07	49.26	5.26	51.08	5.32	55.42	5.42	58.50	5.53
	105	42.03	5.09	45.11	5.28	48.19	5.47	50.41	5.53	54.34	5.64	57.42	5.75
	110	40.95	5.29	44.03	5.48	47.11	5.68	49.33	5.75	53.27	5.86	56.34	5.98
115	39.88	5.49	42.96	5.69	46.03	5.90	48.26	5.97	52.19	6.08	55.27	6.20	
118	39.23	5.61	42.31	5.82	45.39	6.03	47.61	6.10	51.54	6.21	54.62	6.34	
122	39.02	5.77	42.10	5.98	45.17	6.20	47.40	6.27	51.33	6.39	54.41	6.52	
Mixed Indoor Units 49 (90%)	14	46.03	2.82	48.89	2.93	51.75	3.03	53.82	3.07	57.47	3.12	60.33	3.19
	20	46.00	2.86	48.86	2.97	51.71	3.08	53.78	3.11	57.43	3.17	60.28	3.23
	25	45.96	2.90	48.82	3.01	51.67	3.12	53.74	3.16	57.38	3.21	60.24	3.28
	30	45.93	2.94	48.78	3.05	51.63	3.16	53.69	3.20	57.34	3.26	60.19	3.32
	35	45.89	2.98	48.74	3.09	51.59	3.21	53.65	3.24	57.30	3.30	60.15	3.37
	40	45.86	3.03	48.71	3.14	51.56	3.25	53.61	3.29	57.25	3.35	60.10	3.42
	45	45.82	3.07	48.67	3.18	51.52	3.29	53.57	3.33	57.21	3.39	60.05	3.46
	50	45.79	3.11	48.63	3.22	51.48	3.34	53.53	3.38	57.16	3.44	60.01	3.51
	55	45.75	3.15	48.60	3.26	51.44	3.38	53.49	3.42	57.12	3.48	59.96	3.55
	60	45.72	3.19	48.56	3.30	51.40	3.42	53.45	3.46	57.08	3.53	59.92	3.60
	65	45.68	3.23	48.52	3.35	51.36	3.47	53.41	3.51	57.03	3.57	59.87	3.65
	70	45.65	3.27	48.48	3.39	51.32	3.51	53.37	3.55	56.99	3.62	59.82	3.69
	75	44.55	3.44	47.38	3.57	50.21	3.70	52.25	3.74	55.86	3.81	58.69	3.89
	80	43.45	3.62	46.27	3.75	49.09	3.89	51.13	3.94	54.74	4.01	57.56	4.09
	85	42.36	3.80	45.18	3.94	47.99	4.08	50.02	4.13	53.62	4.20	56.43	4.29
	90	41.27	3.97	44.08	4.12	46.89	4.27	48.92	4.32	52.50	4.40	55.31	4.49
	95	40.09	4.15	42.89	4.30	45.68	4.46	46.96	4.51	51.26	4.59	54.06	4.69
	100	39.12	4.33	41.91	4.48	44.70	4.65	46.35	4.70	50.29	4.79	53.08	4.89
	105	38.14	4.50	40.93	4.67	43.73	4.84	45.74	4.89	49.31	4.98	52.11	5.09
	110	37.16	4.68	39.96	4.85	42.75	5.03	44.77	5.08	48.34	5.18	51.13	5.28
115	36.19	4.86	38.98	5.03	41.77	5.22	43.79	5.28	47.36	5.38	50.15	5.48	
118	35.60	4.96	38.39	5.14	41.19	5.33	43.20	5.39	46.77	5.49	49.57	5.60	
122	35.41	5.10	38.20	5.29	40.99	5.48	43.01	5.54	46.58	5.65	49.37	5.76	

TC = Total Capacity (kBtu/h).

PI = Power Input (kW).

Nominal capacity as rated: 0 ft. above sea level with Piping Length as Main Pipe (16.4 ft.) + Branch pipe (98.4 ft.) = 115 ft.
0 ft. level difference between outdoor and indoor units.

Nominal cooling capacity rating obtained with air entering the indoor unit at 80°F dry bulb (DB) and 67°F wet bulb (WB), and outdoor ambient conditions of 95°F dry bulb (DB) and 75°F wet bulb (WB).

The shaded table columns and rows indicate reference data. When operating at this temperature, these values can be different if the system is not running consistently.

Multi F and Multi F MAX Heat Pump System Engineering Manual

Table 299: LMU540HV Cooling Capacity Table — Mixed Indoor Units (continued).

Combination Capacity Index (kBtu/h[%])	Outdoor Air Temp. (°F DB)	Indoor Air Temp. °F DB / °F WB											
		68 / 57		73 / 61		77 / 64		80 / 67		86 / 72		90 / 75	
		TC	PI	TC	PI	TC	PI	TC	PI	TC	PI	TC	PI
Mixed Indoor Units 43 (80%)	14	40.40	2.38	42.91	2.46	45.42	2.55	47.23	2.58	50.43	2.63	52.94	2.69
	20	40.37	2.41	42.87	2.50	45.38	2.59	47.19	2.62	50.40	2.67	52.90	2.72
	25	40.34	2.45	42.84	2.54	45.35	2.63	47.16	2.66	50.36	2.71	52.86	2.76
	30	40.31	2.48	42.81	2.57	45.31	2.66	47.12	2.70	50.32	2.75	52.82	2.80
	35	40.27	2.51	42.78	2.61	45.28	2.70	47.08	2.73	50.28	2.78	52.78	2.84
	40	40.24	2.55	42.74	2.64	45.24	2.74	47.05	2.77	50.24	2.82	52.74	2.88
	45	40.21	2.58	42.71	2.68	45.21	2.78	47.01	2.81	50.20	2.86	52.70	2.92
	50	40.18	2.62	42.68	2.71	45.17	2.81	46.98	2.84	50.16	2.90	52.66	2.96
	55	40.15	2.65	42.65	2.75	45.14	2.85	46.94	2.88	50.13	2.94	52.62	2.99
	60	40.12	2.69	42.61	2.78	45.10	2.89	46.90	2.92	50.09	2.97	52.58	3.03
	65	40.09	2.72	42.58	2.82	45.07	2.92	46.87	2.96	50.05	3.01	52.54	3.07
	70	40.06	2.75	42.55	2.85	45.03	2.96	46.83	2.99	50.01	3.05	52.50	3.11
	75	39.10	2.90	41.58	3.01	44.06	3.12	45.85	3.15	49.02	3.21	51.50	3.28
	80	38.13	3.05	40.61	3.16	43.08	3.28	44.87	3.32	48.03	3.38	50.51	3.45
	85	37.18	3.20	39.65	3.32	42.11	3.44	43.90	3.48	47.05	3.54	49.52	3.61
	90	36.22	3.35	38.68	3.47	41.15	3.60	42.93	3.64	46.07	3.71	48.54	3.78
	95	35.18	3.50	37.63	3.62	40.09	3.76	41.21	3.80	44.99	3.87	47.44	3.95
	100	34.33	3.65	36.78	3.78	39.23	3.92	40.68	3.96	44.13	4.04	46.58	4.12
	105	33.47	3.79	35.92	3.93	38.37	4.08	40.14	4.12	43.27	4.20	45.73	4.28
	110	32.61	3.94	35.06	4.09	37.52	4.24	39.29	4.28	42.42	4.36	44.87	4.45
115	31.76	4.09	34.21	4.24	36.66	4.40	38.43	4.45	41.56	4.53	44.01	4.62	
118	31.24	4.18	33.69	4.33	36.14	4.49	37.91	4.54	41.05	4.63	43.50	4.72	
122	31.07	4.30	33.52	4.46	35.97	4.62	37.74	4.67	40.88	4.76	43.33	4.86	
Mixed Indoor Units 38 (70%)	14	35.70	2.01	37.92	2.08	40.14	2.16	41.74	2.18	44.57	2.22	46.79	2.27
	20	35.68	2.04	37.89	2.11	40.11	2.19	41.71	2.21	44.54	2.26	46.75	2.30
	25	35.65	2.07	37.86	2.14	40.08	2.22	41.67	2.25	44.50	2.29	46.72	2.33
	30	35.62	2.10	37.83	2.17	40.05	2.25	41.64	2.28	44.47	2.32	46.68	2.37
	35	35.59	2.12	37.80	2.20	40.01	2.28	41.61	2.31	44.44	2.35	46.65	2.40
	40	35.57	2.15	37.78	2.23	39.98	2.31	41.58	2.34	44.40	2.38	46.61	2.43
	45	35.54	2.18	37.75	2.26	39.95	2.34	41.55	2.37	44.37	2.42	46.57	2.46
	50	35.51	2.21	37.72	2.29	39.92	2.38	41.52	2.40	44.33	2.45	46.54	2.50
	55	35.48	2.24	37.69	2.32	39.89	2.41	41.48	2.43	44.30	2.48	46.50	2.53
	60	35.46	2.27	37.66	2.35	39.86	2.44	41.45	2.47	44.27	2.51	46.47	2.56
	65	35.43	2.30	37.63	2.38	39.83	2.47	41.42	2.50	44.23	2.54	46.43	2.59
	70	35.40	2.33	37.60	2.41	39.80	2.50	41.39	2.53	44.20	2.58	46.40	2.63
	75	34.55	2.45	36.74	2.54	38.94	2.63	40.52	2.66	43.32	2.71	45.52	2.77
	80	33.70	2.58	35.89	2.67	38.07	2.77	39.65	2.80	42.45	2.85	44.64	2.91
	85	32.85	2.70	35.04	2.80	37.22	2.90	38.80	2.94	41.58	2.99	43.77	3.05
	90	32.01	2.83	34.19	2.93	36.36	3.04	37.94	3.07	40.72	3.13	42.90	3.19
	95	31.09	2.95	33.26	3.06	35.43	3.17	36.42	3.21	39.76	3.27	41.92	3.34
	100	30.34	3.08	32.50	3.19	34.67	3.31	35.95	3.35	39.00	3.41	41.17	3.48
	105	29.58	3.20	31.75	3.32	33.91	3.44	35.48	3.48	38.24	3.55	40.41	3.62
	110	28.82	3.33	30.99	3.45	33.15	3.58	34.72	3.62	37.49	3.69	39.65	3.76
115	28.07	3.46	30.23	3.58	32.40	3.71	33.96	3.76	36.73	3.83	38.90	3.90	
118	27.61	3.53	29.78	3.66	31.94	3.79	33.51	3.84	36.28	3.91	38.44	3.99	
122	27.46	3.63	29.63	3.76	31.79	3.90	33.36	3.95	36.12	4.02	38.29	4.10	

TC = Total Capacity (kBtu/h).

PI = Power Input (kW).

Nominal capacity as rated: 0 ft. above sea level with Piping Length as Main Pipe (16.4 ft.) + Branch pipe (98.4 ft.) = 115 ft.
0 ft. level difference between outdoor and indoor units.

Nominal cooling capacity rating obtained with air entering the indoor unit at 80°F dry bulb (DB) and 67°F wet bulb (WB), and outdoor ambient conditions of 95°F dry bulb (DB) and 75°F wet bulb (WB).

The shaded table columns and rows indicate reference data. When operating at this temperature, these values can be different if the system is not running consistently.

PERFORMANCE DATA

Cooling Capacity Tables

MULTI F
MULTI F MAX

Table 300: LMU540HV Cooling Capacity Table — Mixed Indoor Units (continued).

Combination Capacity Index (kBtu/h[%])	Outdoor Air Temp. (°F DB)	Indoor Air Temp. °F DB / °F WB											
		68 / 57		73 / 61		77 / 64		80 / 67		86 / 72		90 / 75	
		TC	PI	TC	PI	TC	PI	TC	PI	TC	PI	TC	PI
Mixed Indoor Units 32 (60%)	14	30.07	1.56	31.93	1.62	33.80	1.68	35.15	1.70	37.53	1.73	39.40	1.77
	20	30.04	1.59	31.91	1.64	33.77	1.70	35.12	1.72	37.51	1.76	39.37	1.79
	25	30.02	1.61	31.88	1.67	33.75	1.73	35.10	1.75	37.48	1.78	39.34	1.82
	30	30.00	1.63	31.86	1.69	33.72	1.75	35.07	1.77	37.45	1.81	39.31	1.84
	35	29.97	1.65	31.84	1.71	33.70	1.78	35.04	1.80	37.42	1.83	39.28	1.87
	40	29.95	1.68	31.81	1.74	33.67	1.80	35.01	1.82	37.39	1.86	39.25	1.89
	45	29.93	1.70	31.79	1.76	33.65	1.83	34.99	1.85	37.36	1.88	39.22	1.92
	50	29.91	1.72	31.76	1.78	33.62	1.85	34.96	1.87	37.33	1.91	39.19	1.94
	55	29.88	1.74	31.74	1.81	33.59	1.87	34.93	1.90	37.31	1.93	39.16	1.97
	60	29.86	1.77	31.71	1.83	33.57	1.90	34.91	1.92	37.28	1.96	39.13	2.00
	65	29.84	1.79	31.69	1.85	33.54	1.92	34.88	1.94	37.25	1.98	39.10	2.02
	70	29.81	1.81	31.67	1.88	33.52	1.95	34.85	1.97	37.22	2.01	39.07	2.05
	75	29.10	1.91	30.94	1.98	32.79	2.05	34.12	2.08	36.48	2.11	38.33	2.16
	80	28.38	2.01	30.22	2.08	32.06	2.16	33.39	2.18	35.75	2.22	37.59	2.27
	85	27.67	2.10	29.51	2.18	31.34	2.26	32.67	2.29	35.02	2.33	36.86	2.38
	90	26.96	2.20	28.79	2.28	30.62	2.37	31.95	2.39	34.29	2.44	36.12	2.49
	95	26.18	2.30	28.01	2.38	29.83	2.47	30.67	2.50	33.48	2.55	35.31	2.60
	100	25.55	2.40	27.37	2.49	29.20	2.58	30.27	2.61	32.84	2.66	34.67	2.71
	105	24.91	2.50	26.73	2.59	28.56	2.68	29.88	2.71	32.21	2.76	34.03	2.82
	110	24.27	2.59	26.10	2.69	27.92	2.79	29.24	2.82	31.57	2.87	33.39	2.93
115	23.63	2.69	25.46	2.79	27.28	2.89	28.60	2.92	30.93	2.98	32.76	3.04	
118	23.25	2.75	25.08	2.85	26.90	2.95	28.22	2.99	30.55	3.04	32.37	3.11	
122	23.12	2.83	24.95	2.93	26.77	3.04	28.09	3.07	30.42	3.13	32.24	3.19	
Mixed Indoor Units 27 (50%)	14	25.37	1.20	26.95	1.24	28.52	1.28	29.66	1.30	31.67	1.32	33.25	1.35
	20	25.35	1.21	26.93	1.26	28.50	1.30	29.64	1.32	31.65	1.34	33.22	1.37
	25	25.33	1.23	26.90	1.27	28.48	1.32	29.61	1.34	31.62	1.36	33.20	1.39
	30	25.31	1.25	26.88	1.29	28.46	1.34	29.59	1.35	31.60	1.38	33.17	1.41
	35	25.29	1.26	26.86	1.31	28.43	1.36	29.57	1.37	31.58	1.40	33.15	1.43
	40	25.27	1.28	26.84	1.33	28.41	1.38	29.55	1.39	31.55	1.42	33.12	1.45
	45	25.25	1.30	26.82	1.35	28.39	1.39	29.52	1.41	31.53	1.44	33.10	1.47
	50	25.23	1.32	26.80	1.36	28.37	1.41	29.50	1.43	31.50	1.46	33.07	1.49
	55	25.22	1.33	26.78	1.38	28.35	1.43	29.48	1.45	31.48	1.48	33.05	1.51
	60	25.20	1.35	26.76	1.40	28.33	1.45	29.46	1.47	31.46	1.49	33.02	1.52
	65	25.18	1.37	26.74	1.42	28.30	1.47	29.43	1.49	31.43	1.51	32.99	1.54
	70	25.16	1.38	26.72	1.43	28.28	1.49	29.41	1.50	31.41	1.53	32.97	1.56
	75	24.55	1.46	26.11	1.51	27.67	1.57	28.79	1.59	30.79	1.62	32.34	1.65
	80	23.95	1.53	25.50	1.59	27.06	1.65	28.18	1.67	30.17	1.70	31.72	1.73
	85	23.35	1.61	24.90	1.67	26.45	1.73	27.57	1.75	29.55	1.78	31.10	1.82
	90	22.75	1.68	24.29	1.74	25.84	1.81	26.96	1.83	28.93	1.86	30.48	1.90
	95	22.10	1.76	23.63	1.82	25.17	1.89	25.88	1.91	28.25	1.95	29.79	1.98
	100	21.56	1.83	23.10	1.90	24.64	1.97	25.54	1.99	27.71	2.03	29.25	2.07
	105	21.02	1.91	22.56	1.98	24.10	2.05	25.21	2.07	27.18	2.11	28.72	2.15
	110	20.48	1.98	22.02	2.05	23.56	2.13	24.67	2.15	26.64	2.19	28.18	2.24
115	19.94	2.06	21.48	2.13	23.02	2.21	24.13	2.23	26.10	2.28	27.64	2.32	
118	19.62	2.10	21.16	2.18	22.70	2.26	23.81	2.28	25.78	2.33	27.32	2.37	
122	19.51	2.16	21.05	2.24	22.59	2.32	23.70	2.35	25.67	2.39	27.21	2.44	

TC = Total Capacity (kBtu/h).

PI = Power Input (kW).

Nominal capacity as rated: 0 ft. above sea level with Piping Length as Main Pipe (16.4 ft.) + Branch pipe (98.4 ft.) = 115 ft.
0 ft. level difference between outdoor and indoor units.

Nominal cooling capacity rating obtained with air entering the indoor unit at 80°F dry bulb (DB) and 67°F wet bulb (WB), and outdoor ambient conditions of 95°F dry bulb (DB) and 75°F wet bulb (WB).

The shaded table columns and rows indicate reference data. When operating at this temperature, these values can be different if the system is not running consistently.

Table 301: LMU540HV Cooling Capacity Table — Mixed Indoor Units (continued).

Combination Capacity Index (kBtu/h[%])	Outdoor Air Temp. (°F DB)	Indoor Air Temp. °F DB / °F WB											
		68 / 57		73 / 61		77 / 64		80 / 67		86 / 72		90 / 75	
		TC	PI	TC	PI	TC	PI	TC	PI	TC	PI	TC	PI
Mixed Indoor Units 24 (40%)	14	22.55	0.97	23.95	1.01	25.35	1.04	26.36	1.05	28.15	1.07	29.55	1.10
	20	22.53	0.98	23.93	1.02	25.33	1.06	26.34	1.07	28.13	1.09	29.53	1.11
	25	22.51	1.00	23.91	1.03	25.31	1.07	26.32	1.08	28.10	1.10	29.50	1.13
	30	22.50	1.01	23.89	1.05	25.29	1.09	26.30	1.10	28.08	1.12	29.48	1.14
	35	22.48	1.03	23.87	1.06	25.27	1.10	26.28	1.11	28.06	1.14	29.46	1.16
	40	22.46	1.04	23.86	1.08	25.25	1.12	26.26	1.13	28.04	1.15	29.44	1.17
	45	22.44	1.05	23.84	1.09	25.23	1.13	26.24	1.14	28.02	1.17	29.41	1.19
	50	22.43	1.07	23.82	1.11	25.21	1.15	26.22	1.16	28.00	1.18	29.39	1.21
	55	22.41	1.08	23.80	1.12	25.19	1.16	26.20	1.18	27.98	1.20	29.37	1.22
	60	22.39	1.10	23.78	1.14	25.17	1.18	26.18	1.19	27.95	1.21	29.35	1.24
	65	22.37	1.11	23.76	1.15	25.15	1.19	26.16	1.21	27.93	1.23	29.32	1.25
	70	22.36	1.12	23.75	1.16	25.13	1.21	26.14	1.22	27.91	1.24	29.30	1.27
	75	21.82	1.18	23.20	1.23	24.59	1.27	25.59	1.29	27.36	1.31	28.75	1.34
	80	21.28	1.24	22.66	1.29	24.04	1.34	25.04	1.35	26.81	1.38	28.19	1.41
	85	20.75	1.31	22.13	1.35	23.50	1.40	24.50	1.42	26.26	1.44	27.64	1.47
	90	20.22	1.37	21.59	1.42	22.96	1.47	23.96	1.48	25.71	1.51	27.09	1.54
	95	19.64	1.43	21.00	1.48	22.37	1.53	23.00	1.55	25.11	1.58	26.48	1.61
	100	19.16	1.49	20.53	1.54	21.89	1.60	22.70	1.62	24.63	1.65	26.00	1.68
	105	18.68	1.55	20.05	1.60	21.42	1.66	22.40	1.68	24.15	1.71	25.52	1.75
110	18.20	1.61	19.57	1.67	20.94	1.73	21.93	1.75	23.67	1.78	25.04	1.82	
115	17.72	1.67	19.09	1.73	20.46	1.79	21.45	1.81	23.20	1.85	24.56	1.88	
118	17.44	1.71	18.80	1.77	20.17	1.83	21.16	1.85	22.91	1.89	24.28	1.93	
122	17.34	1.75	18.71	1.82	20.08	1.88	21.07	1.91	22.81	1.94	24.18	1.98	

TC = Total Capacity (kBtu/h).

PI = Power Input (kW).

Nominal capacity as rated: 0 ft. above sea level with Piping Length as Main Pipe (16.4 ft.) + Branch pipe (98.4 ft.) = 115 ft.
0 ft. level difference between outdoor and indoor units.

Nominal cooling capacity rating obtained with air entering the indoor unit at 80°F dry bulb (DB) and 67°F wet bulb (WB), and outdoor ambient conditions of 95°F dry bulb (DB) and 75°F wet bulb (WB).

The shaded table columns and rows indicate reference data. When operating at this temperature, these values can be different if the system is not running consistently.

PERFORMANCE DATA

Heating Capacity Tables

MULTI F
MULTI F MAX

Table 302: LMU540HV Heating Capacity Table — Non-Ducted Indoor Units.

Combination Capacity Index (kBtu/h[%])	Outdoor Air Temp.		Indoor Air Temp. °F DB											
			61		64		68		70		72		75	
	°F DB	°F WB	TC	PI	TC	PI	TC	PI	TC	PI	TC	PI	TC	PI
Non-Ducted Indoor Units 73 (135%)	-4	-4.4	23.71	3.57	21.93	3.72	21.82	3.76	21.57	3.78	21.37	3.79	20.41	3.94
	0	-0.4	28.52	3.71	26.82	3.85	26.41	3.91	26.03	3.94	25.74	3.97	24.65	4.11
	5	4.5	34.23	3.88	32.63	4.02	31.85	4.10	31.34	4.14	30.93	4.18	29.68	4.32
	10	9	38.06	4.03	36.52	4.17	35.50	4.27	34.89	4.33	34.40	4.38	33.05	4.51
	17	15	42.27	4.23	40.80	4.37	39.51	4.50	38.80	4.58	38.23	4.64	36.76	4.77
	20	19	44.82	4.37	43.40	4.50	41.95	4.66	41.17	4.74	40.55	4.81	39.01	4.94
	25	23	49.10	4.61	47.64	4.74	45.99	4.92	45.12	5.02	44.42	5.10	42.75	5.23
	30	28	53.41	4.86	51.76	5.02	49.98	5.18	49.06	5.29	48.33	5.38	46.55	5.52
	35	32	57.72	5.12	55.88	5.30	53.98	5.44	53.01	5.57	52.23	5.67	50.35	5.81
	40	36	60.66	5.27	58.96	5.45	57.08	5.61	56.09	5.73	55.30	5.82	53.30	5.97
	45	41	64.34	5.46	62.80	5.64	60.95	5.82	59.94	5.92	59.13	6.01	56.98	6.18
	47	43	65.81	5.53	64.34	5.72	62.50	5.90	61.48	6.00	60.66	6.08	58.46	6.26
	50	46	66.00	5.50	64.67	5.66	63.07	5.83	62.16	5.91	61.43	5.98	59.35	6.15
	55	51	66.33	5.44	65.23	5.57	64.02	5.71	63.29	5.77	62.70	5.82	60.84	5.95
	60	56	66.65	5.38	65.78	5.49	64.97	5.59	64.42	5.63	63.97	5.66	62.33	5.75
63	59	66.84	5.35	66.11	5.43	65.54	5.51	65.09	5.54	64.73	5.56	63.23	5.63	
68	64	67.04	5.31	66.45	5.38	66.12	5.44	65.78	5.46	65.51	5.47	64.14	5.51	
Non-Ducted Indoor Units 70 (130%)	-4	-4.4	23.49	3.52	21.73	3.66	21.63	3.70	21.38	3.72	21.18	3.73	20.23	3.88
	0	-0.4	28.26	3.65	26.58	3.80	26.17	3.85	25.80	3.88	25.51	3.91	24.43	4.05
	5	4.5	33.93	3.82	32.34	3.96	31.57	4.04	31.06	4.08	30.65	4.12	29.41	4.26
	10	9	37.72	3.97	36.19	4.10	35.18	4.21	34.58	4.26	34.10	4.31	32.75	4.45
	17	15	41.89	4.17	40.44	4.30	39.16	4.43	38.45	4.51	37.89	4.57	36.43	4.70
	20	19	44.42	4.30	43.01	4.43	41.57	4.59	40.80	4.67	40.18	4.74	38.66	4.87
	25	23	48.66	4.54	47.22	4.67	45.57	4.84	44.71	4.94	44.02	5.02	42.37	5.15
	30	28	52.93	4.79	51.30	4.95	49.53	5.10	48.62	5.21	47.90	5.30	46.14	5.44
	35	32	57.21	5.04	55.38	5.22	53.50	5.36	52.54	5.48	51.77	5.58	49.90	5.72
	40	36	60.12	5.19	58.43	5.37	56.57	5.52	55.59	5.64	54.80	5.73	52.82	5.88
	45	41	63.76	5.38	62.24	5.56	60.41	5.73	59.40	5.83	58.60	5.92	56.47	6.09
	47	43	65.22	5.45	63.76	5.63	61.94	5.81	60.93	5.91	60.12	5.99	57.93	6.17
	50	46	65.41	5.42	64.09	5.58	62.51	5.74	61.60	5.83	60.88	5.89	58.82	6.05
	55	51	65.73	5.36	64.64	5.49	63.45	5.62	62.72	5.68	62.14	5.74	60.30	5.86
	60	56	66.05	5.30	65.19	5.40	64.39	5.50	63.84	5.54	63.40	5.58	61.78	5.66
63	59	66.24	5.27	65.52	5.35	64.96	5.43	64.51	5.46	64.15	5.48	62.66	5.55	
68	64	66.44	5.23	65.85	5.30	65.52	5.36	65.19	5.38	64.92	5.39	63.56	5.43	
Non-Ducted Indoor Units 65 (120%)	-4	-4.4	23.14	3.42	21.41	3.56	21.30	3.60	21.06	3.62	20.86	3.63	19.92	3.77
	0	-0.4	27.84	3.55	26.18	3.69	25.78	3.75	25.42	3.78	25.13	3.80	24.06	3.94
	5	4.5	33.42	3.71	31.86	3.85	31.10	3.93	30.60	3.97	30.19	4.01	28.97	4.14
	10	9	37.16	3.86	35.65	3.99	34.66	4.09	34.06	4.15	33.59	4.19	32.27	4.33
	17	15	41.27	4.06	39.83	4.18	38.58	4.31	37.88	4.39	37.32	4.44	35.88	4.57
	20	19	43.76	4.19	42.36	4.31	40.95	4.46	40.19	4.54	39.58	4.61	38.08	4.74
	25	23	47.93	4.41	46.51	4.54	44.89	4.71	44.04	4.81	43.36	4.88	41.73	5.01
	30	28	52.14	4.66	50.53	4.81	48.79	4.96	47.90	5.07	47.18	5.16	45.45	5.29
	35	32	56.35	4.91	54.56	5.08	52.70	5.21	51.75	5.34	50.99	5.43	49.15	5.56
	40	36	59.22	5.05	57.56	5.23	55.72	5.37	54.76	5.49	53.99	5.58	52.03	5.72
	45	41	62.81	5.23	61.31	5.41	59.50	5.57	58.52	5.67	57.73	5.76	55.63	5.92
	47	43	64.25	5.30	62.81	5.48	61.02	5.65	60.02	5.75	59.22	5.83	57.07	6.00
	50	46	64.44	5.27	63.14	5.43	61.57	5.58	60.68	5.67	59.97	5.74	57.94	5.89
	55	51	64.75	5.21	63.68	5.34	62.50	5.47	61.78	5.53	61.21	5.58	59.40	5.70
	60	56	65.07	5.16	64.22	5.26	63.43	5.35	62.89	5.39	62.45	5.43	60.85	5.51
63	59	65.25	5.12	64.54	5.21	63.98	5.28	63.55	5.31	63.20	5.33	61.73	5.40	
68	64	65.44	5.09	64.87	5.16	64.55	5.22	64.22	5.23	63.95	5.24	62.61	5.28	

TC = Total Capacity (kBtu/h).

PI = Power Input (kW).

Nominal Capacity as rated: 0 ft. above sea level with Piping Length as Main Pipe (16.4 ft.) + Branch pipe (98.4 ft.) = 115 ft.

0 ft. level difference between outdoor and indoor units.

Nominal heating capacity rating obtained with air entering the indoor unit at 70°F dry bulb (DB) and 60°F wet bulb (WB), and outdoor ambient conditions of 47°F dry bulb (DB) and 43°F wet bulb (WB).



Multi F and Multi F MAX Heat Pump System Engineering Manual

Table 303: LMU540HV Heating Capacity Table — Non-Ducted Indoor Units (continued).

Combination Capacity Index (kBtu/h[%])	Outdoor Air Temp.		Indoor Air Temp. °F DB											
			61		64		68		70		72		75	
	°F DB	°F WB	TC	PI	TC	PI	TC	PI	TC	PI	TC	PI	TC	PI
Non-Ducted Indoor Units 59 (110%)	-4	-4.4	22.72	3.31	21.02	3.45	20.91	3.48	20.67	3.50	20.48	3.51	19.56	3.65
	0	-0.4	27.33	3.44	25.70	3.57	25.31	3.62	24.95	3.65	24.67	3.68	23.62	3.81
	5	4.5	32.81	3.59	31.27	3.72	30.53	3.80	30.03	3.84	29.64	3.87	28.44	4.00
	10	9	36.48	3.73	35.00	3.86	34.02	3.96	33.44	4.01	32.97	4.05	31.67	4.18
	17	15	40.51	3.92	39.10	4.05	37.87	4.17	37.18	4.24	36.64	4.30	35.23	4.42
	20	19	42.96	4.05	41.59	4.17	40.20	4.31	39.45	4.39	38.86	4.46	37.38	4.58
	25	23	47.05	4.27	45.66	4.39	44.07	4.56	43.24	4.65	42.57	4.72	40.97	4.85
	30	28	51.19	4.51	49.60	4.66	47.90	4.80	47.02	4.90	46.32	4.99	44.61	5.11
	35	32	55.32	4.75	53.56	4.92	51.73	5.04	50.80	5.16	50.06	5.25	48.25	5.38
	40	36	58.14	4.88	56.50	5.05	54.70	5.20	53.75	5.31	53.00	5.39	51.08	5.54
	45	41	61.66	5.06	60.19	5.23	58.41	5.39	57.44	5.49	56.67	5.57	54.61	5.73
	47	43	63.07	5.13	61.66	5.30	59.90	5.47	58.92	5.56	58.14	5.64	56.02	5.80
	50	46	63.26	5.09	61.98	5.25	60.45	5.40	59.57	5.48	58.87	5.55	56.88	5.69
	55	51	63.56	5.04	62.51	5.17	61.36	5.29	60.65	5.35	60.09	5.40	58.31	5.51
	60	56	63.87	4.99	63.04	5.08	62.27	5.18	61.73	5.22	61.31	5.25	59.74	5.33
	63	59	64.06	4.95	63.36	5.03	62.81	5.11	62.38	5.14	62.04	5.16	60.60	5.22
	68	64	64.24	4.92	63.68	4.99	63.36	5.04	63.04	5.06	62.78	5.07	61.47	5.11
	Non-Ducted Indoor Units 54 (100%)	-4	-4.4	22.36	3.22	20.69	3.35	20.59	3.38	20.35	3.40	20.16	3.41	19.25
0		-0.4	26.90	3.34	25.30	3.47	24.91	3.52	24.56	3.55	24.28	3.57	23.25	3.70
5		4.5	32.29	3.49	30.78	3.61	30.05	3.69	29.57	3.73	29.18	3.76	28.00	3.89
10		9	35.91	3.63	34.45	3.75	33.49	3.84	32.92	3.90	32.46	3.94	31.18	4.06
17		15	39.88	3.81	38.49	3.93	37.28	4.05	36.60	4.12	36.06	4.17	34.68	4.29
20		19	42.29	3.93	40.94	4.05	39.57	4.19	38.84	4.27	38.25	4.33	36.80	4.45
25		23	46.32	4.14	44.95	4.27	43.38	4.43	42.56	4.52	41.91	4.59	40.33	4.71
30		28	50.39	4.38	48.83	4.52	47.15	4.66	46.29	4.76	45.59	4.85	43.92	4.97
35		32	54.45	4.61	52.72	4.77	50.93	4.90	50.01	5.01	49.28	5.10	47.50	5.23
40		36	57.23	4.74	55.62	4.91	53.85	5.05	52.92	5.15	52.17	5.24	50.28	5.38
45		41	60.70	4.91	59.25	5.08	57.50	5.23	56.55	5.33	55.78	5.41	53.76	5.56
47		43	62.09	4.98	60.70	5.14	58.96	5.31	58.00	5.40	57.23	5.47	55.15	5.64
50		46	62.27	4.95	61.01	5.10	59.50	5.24	58.64	5.32	57.95	5.39	55.99	5.53
55		51	62.57	4.90	61.53	5.02	60.40	5.14	59.70	5.19	59.15	5.24	57.40	5.35
60		56	62.88	4.84	62.06	4.94	61.29	5.03	60.77	5.07	60.35	5.10	58.81	5.17
63		59	63.06	4.81	62.37	4.89	61.83	4.96	61.41	4.99	61.07	5.01	59.65	5.07
68		64	63.24	4.78	62.69	4.84	62.37	4.90	62.05	4.91	61.80	4.92	60.51	4.96
Non-Ducted Indoor Units 49 (90%)		-4	-4.4	20.29	2.89	18.77	3.01	18.68	3.04	18.46	3.06	18.29	3.07	17.47
	0	-0.4	24.41	3.00	22.96	3.12	22.60	3.17	22.29	3.19	22.03	3.21	21.10	3.33
	5	4.5	29.30	3.14	27.93	3.25	27.27	3.32	26.83	3.36	26.48	3.39	25.41	3.50
	10	9	32.58	3.26	31.26	3.37	30.39	3.46	29.87	3.51	29.45	3.54	28.29	3.66
	17	15	36.19	3.43	34.93	3.54	33.83	3.65	33.21	3.71	32.73	3.76	31.47	3.87
	20	19	38.37	3.54	37.15	3.65	35.91	3.77	35.24	3.84	34.71	3.90	33.39	4.00
	25	23	42.03	3.73	40.78	3.84	39.37	3.98	38.62	4.06	38.03	4.13	36.59	4.24
	30	28	45.72	3.94	44.31	4.07	42.79	4.19	42.00	4.29	41.37	4.36	39.85	4.47
	35	32	49.41	4.15	47.84	4.30	46.21	4.41	45.38	4.51	44.72	4.59	43.10	4.70
	40	36	51.93	4.27	50.47	4.42	48.86	4.54	48.02	4.64	47.34	4.71	45.62	4.84
	45	41	55.08	4.42	53.76	4.57	52.18	4.71	51.31	4.80	50.62	4.87	48.78	5.01
	47	43	56.34	4.48	55.08	4.63	53.50	4.78	52.63	4.86	51.93	4.93	50.04	5.07
	50	46	56.50	4.45	55.36	4.59	53.99	4.72	53.21	4.79	52.58	4.85	50.81	4.98
	55	51	56.78	4.41	55.84	4.51	54.81	4.62	54.18	4.67	53.67	4.72	52.08	4.82
	60	56	57.05	4.36	56.31	4.44	55.62	4.52	55.14	4.56	54.76	4.59	53.36	4.66
	63	59	57.22	4.33	56.60	4.40	56.11	4.47	55.72	4.49	55.42	4.51	54.13	4.56
	68	64	57.39	4.30	56.88	4.36	56.60	4.41	56.31	4.42	56.08	4.43	54.90	4.47

TC = Total Capacity (kBtu/h).

PI = Power Input (kW).

Nominal Capacity as rated: 0 ft. above sea level with Piping Length as Main Pipe (16.4 ft.) + Branch pipe (98.4 ft.) = 115 ft.

0 ft. level difference between outdoor and indoor units.

Nominal heating capacity rating obtained with air entering the indoor unit at 70°F dry bulb (DB) and 60°F wet bulb (WB), and outdoor ambient conditions of 47°F dry bulb (DB) and 43°F wet bulb (WB).

PERFORMANCE DATA

Heating Capacity Tables

MULTI F
MULTI F MAX

Table 304: LMU540HV Heating Capacity Table — Non-Ducted Indoor Units (continued).

Combination Capacity Index (kBtu/h[%])	Outdoor Air Temp.		Indoor Air Temp. °F DB											
			61		64		68		70		72		75	
	°F DB	°F WB	TC	PI	TC	PI	TC	PI	TC	PI	TC	PI	TC	PI
Non-Ducted Indoor Units 43 (80%)	-4	-4.4	17.81	2.51	16.48	2.61	16.39	2.64	16.21	2.65	16.05	2.66	15.33	2.76
	0	-0.4	21.42	2.60	20.15	2.70	19.84	2.74	19.56	2.77	19.34	2.78	18.52	2.88
	5	4.5	25.72	2.72	24.51	2.82	23.93	2.88	23.55	2.91	23.24	2.93	22.30	3.03
	10	9	28.60	2.83	27.44	2.92	26.67	3.00	26.21	3.04	25.85	3.07	24.83	3.17
	17	15	31.76	2.97	30.65	3.06	29.69	3.16	29.15	3.21	28.72	3.25	27.62	3.35
	20	19	33.68	3.06	32.60	3.16	31.51	3.27	30.93	3.33	30.46	3.38	29.30	3.47
	25	23	36.89	3.23	35.79	3.33	34.55	3.45	33.90	3.52	33.37	3.58	32.12	3.67
	30	28	40.13	3.41	38.89	3.53	37.55	3.63	36.86	3.71	36.31	3.78	34.98	3.87
	35	32	43.37	3.59	41.99	3.72	40.56	3.82	39.83	3.91	39.24	3.98	37.83	4.07
	40	36	45.58	3.70	44.30	3.83	42.88	3.93	42.14	4.02	41.55	4.08	40.04	4.19
	45	41	48.34	3.83	47.18	3.96	45.79	4.08	45.03	4.15	44.42	4.21	42.81	4.34
	47	43	49.44	3.88	48.34	4.01	46.96	4.14	46.19	4.21	45.58	4.27	43.92	4.40
	50	46	49.59	3.86	48.59	3.97	47.39	4.09	46.70	4.15	46.15	4.20	44.59	4.31
	55	51	49.83	3.82	49.00	3.91	48.10	4.00	47.55	4.05	47.11	4.09	45.71	4.17
	60	56	50.07	3.78	49.42	3.85	48.81	3.92	48.40	3.95	48.06	3.97	46.83	4.03
	63	59	50.22	3.75	49.67	3.81	49.24	3.87	48.90	3.89	48.63	3.90	47.50	3.95
	68	64	50.36	3.73	49.92	3.77	49.67	3.82	49.42	3.83	49.21	3.84	48.19	3.87
Non-Ducted Indoor Units 38 (70%)	-4	-4.4	15.74	2.19	14.56	2.27	14.49	2.30	14.32	2.31	14.19	2.32	13.55	2.41
	0	-0.4	18.93	2.27	17.81	2.36	17.53	2.39	17.29	2.41	17.09	2.43	16.36	2.51
	5	4.5	22.73	2.37	21.66	2.46	21.15	2.51	20.81	2.53	20.54	2.56	19.71	2.64
	10	9	25.27	2.46	24.25	2.55	23.57	2.61	23.17	2.65	22.84	2.68	21.94	2.76
	17	15	28.07	2.59	27.09	2.67	26.24	2.75	25.76	2.80	25.38	2.84	24.41	2.92
	20	19	29.76	2.67	28.81	2.75	27.85	2.85	27.33	2.90	26.92	2.94	25.90	3.02
	25	23	32.60	2.82	31.63	2.90	30.53	3.01	29.95	3.07	29.49	3.12	28.38	3.20
	30	28	35.46	2.97	34.37	3.07	33.18	3.17	32.58	3.24	32.09	3.29	30.91	3.38
	35	32	38.32	3.13	37.10	3.24	35.84	3.33	35.20	3.41	34.68	3.47	33.43	3.55
	40	36	40.28	3.22	39.15	3.34	37.90	3.43	37.24	3.50	36.72	3.56	35.39	3.65
	45	41	42.72	3.34	41.70	3.45	40.47	3.56	39.80	3.62	39.26	3.67	37.83	3.78
	47	43	43.70	3.38	42.72	3.50	41.50	3.61	40.82	3.67	40.28	3.72	38.81	3.83
	50	46	43.82	3.36	42.94	3.46	41.88	3.56	41.27	3.62	40.78	3.66	39.41	3.76
	55	51	44.04	3.33	43.31	3.41	42.51	3.49	42.02	3.53	41.63	3.56	40.40	3.64
	60	56	44.25	3.29	43.68	3.36	43.14	3.42	42.77	3.44	42.47	3.46	41.39	3.52
	63	59	44.38	3.27	43.90	3.32	43.52	3.37	43.22	3.39	42.98	3.40	41.98	3.44
	68	64	44.51	3.25	44.12	3.29	43.90	3.33	43.67	3.34	43.49	3.35	42.58	3.37
Non-Ducted Indoor Units 32 (60%)	-4	-4.4	13.25	1.80	12.26	1.87	12.20	1.89	12.06	1.90	11.95	1.91	11.41	1.98
	0	-0.4	15.94	1.87	14.99	1.94	14.76	1.97	14.55	1.98	14.39	2.00	13.78	2.07
	5	4.5	19.14	1.95	18.24	2.02	17.81	2.06	17.52	2.09	17.29	2.10	16.59	2.17
	10	9	21.28	2.03	20.42	2.10	19.85	2.15	19.51	2.18	19.23	2.20	18.48	2.27
	17	15	23.63	2.13	22.81	2.20	22.09	2.27	21.69	2.30	21.37	2.33	20.55	2.40
	20	19	25.06	2.20	24.26	2.27	23.45	2.34	23.01	2.39	22.67	2.42	21.81	2.49
	25	23	27.45	2.32	26.63	2.39	25.71	2.48	25.22	2.53	24.83	2.57	23.90	2.63
	30	28	29.86	2.45	28.94	2.53	27.94	2.61	27.43	2.66	27.02	2.71	26.03	2.78
	35	32	32.27	2.58	31.24	2.67	30.18	2.74	29.64	2.80	29.20	2.85	28.15	2.92
	40	36	33.91	2.65	32.96	2.74	31.91	2.82	31.36	2.88	30.91	2.93	29.79	3.01
	45	41	35.97	2.75	35.11	2.84	34.07	2.93	33.51	2.98	33.06	3.02	31.86	3.11
	47	43	36.79	2.78	35.97	2.88	34.94	2.97	34.37	3.02	33.91	3.06	32.68	3.15
	50	46	36.90	2.77	36.15	2.85	35.26	2.93	34.75	2.98	34.34	3.01	33.18	3.09
	55	51	37.08	2.74	36.46	2.81	35.79	2.87	35.38	2.90	35.05	2.93	34.01	2.99
	60	56	37.26	2.71	36.77	2.76	36.32	2.81	36.01	2.83	35.76	2.85	34.85	2.89
	63	59	37.37	2.69	36.96	2.73	36.64	2.78	36.39	2.79	36.19	2.80	35.35	2.83
	68	64	37.48	2.67	37.15	2.71	36.96	2.74	36.77	2.75	36.62	2.75	35.86	2.78

TC = Total Capacity (kBtu/h).

PI = Power Input (kW).

Nominal Capacity as rated: 0 ft. above sea level with Piping Length as Main Pipe (16.4 ft.) + Branch pipe (98.4 ft.) = 115 ft.

0 ft. level difference between outdoor and indoor units.

Nominal heating capacity rating obtained with air entering the indoor unit at 70°F dry bulb (DB) and 60°F wet bulb (WB), and outdoor ambient conditions of 47°F dry bulb (DB) and 43°F wet bulb (WB).

Multi F and Multi F MAX Heat Pump System Engineering Manual

Table 305: LMU540HV Heating Capacity Table — Non-Ducted (continued) / Ducted Indoor Units.

Combination Capacity Index (kBtu/h[%])	Outdoor Air Temp.		Indoor Air Temp. °F DB											
			61		64		68		70		72		75	
	°F DB	°F WB	TC	PI	TC	PI	TC	PI	TC	PI	TC	PI	TC	PI
Non-Ducted Indoor Units 27 (50%)	-4	-4.4	11.18	1.48	10.34	1.54	10.29	1.55	10.17	1.56	10.08	1.57	9.63	1.63
	0	-0.4	13.45	1.53	12.65	1.59	12.46	1.62	12.28	1.63	12.14	1.64	11.63	1.70
	5	4.5	16.15	1.60	15.39	1.66	15.03	1.69	14.78	1.71	14.59	1.73	14.00	1.79
	10	9	17.95	1.67	17.23	1.72	16.75	1.77	16.46	1.79	16.23	1.81	15.59	1.87
	17	15	19.94	1.75	19.25	1.80	18.64	1.86	18.30	1.89	18.03	1.92	17.34	1.97
	20	19	21.14	1.81	20.47	1.86	19.79	1.92	19.42	1.96	19.13	1.99	18.40	2.04
	25	23	23.16	1.90	22.47	1.96	21.69	2.03	21.28	2.07	20.95	2.11	20.16	2.16
	30	28	25.19	2.01	24.41	2.08	23.58	2.14	23.14	2.19	22.80	2.23	21.96	2.28
	35	32	27.23	2.12	26.36	2.19	25.46	2.25	25.00	2.30	24.64	2.34	23.75	2.40
	40	36	28.61	2.18	27.81	2.25	26.92	2.32	26.46	2.37	26.08	2.41	25.14	2.47
	45	41	30.35	2.26	29.62	2.33	28.75	2.40	28.27	2.45	27.89	2.48	26.88	2.55
	47	43	31.04	2.29	30.35	2.36	29.48	2.44	29.00	2.48	28.61	2.51	27.57	2.59
	50	46	31.13	2.27	30.51	2.34	29.75	2.41	29.32	2.44	28.97	2.47	28.00	2.54
	55	51	31.29	2.25	30.77	2.30	30.20	2.36	29.85	2.39	29.57	2.41	28.70	2.46
	60	56	31.44	2.22	31.03	2.27	30.65	2.31	30.38	2.33	30.17	2.34	29.40	2.38
	63	59	31.53	2.21	31.19	2.25	30.92	2.28	30.70	2.29	30.53	2.30	29.83	2.33
	68	64	31.62	2.20	31.34	2.22	31.19	2.25	31.03	2.26	30.90	2.26	30.25	2.28
Non-Ducted Indoor Units 24 (40%)	-4	-4.4	9.94	1.29	9.20	1.34	9.15	1.35	9.04	1.36	8.96	1.37	8.56	1.42
	0	-0.4	11.96	1.34	11.25	1.39	11.07	1.41	10.92	1.42	10.79	1.43	10.33	1.48
	5	4.5	14.35	1.40	13.68	1.45	13.36	1.48	13.14	1.49	12.97	1.50	12.45	1.56
	10	9	15.96	1.45	15.31	1.50	14.89	1.54	14.63	1.56	14.43	1.58	13.86	1.62
	17	15	17.73	1.52	17.11	1.57	16.57	1.62	16.27	1.65	16.03	1.67	15.41	1.72
	20	19	18.80	1.57	18.20	1.62	17.59	1.68	17.26	1.71	17.00	1.73	16.36	1.78
	25	23	20.59	1.66	19.98	1.71	19.28	1.77	18.92	1.81	18.63	1.83	17.93	1.88
	30	28	22.40	1.75	21.70	1.81	20.96	1.86	20.57	1.91	20.27	1.94	19.52	1.99
	35	32	24.20	1.84	23.43	1.91	22.64	1.96	22.23	2.00	21.90	2.04	21.11	2.09
	40	36	25.44	1.90	24.72	1.96	23.93	2.02	23.52	2.06	23.19	2.09	22.35	2.15
	45	41	26.98	1.96	26.33	2.03	25.56	2.09	25.13	2.13	24.79	2.16	23.89	2.23
	47	43	27.60	1.99	26.98	2.06	26.21	2.12	25.78	2.16	25.44	2.19	24.51	2.26
	50	46	27.68	1.98	27.12	2.04	26.45	2.10	26.06	2.13	25.76	2.15	24.89	2.21
	55	51	27.81	1.96	27.35	2.01	26.85	2.05	26.54	2.08	26.29	2.10	25.51	2.14
	60	56	27.95	1.94	27.58	1.97	27.24	2.01	27.01	2.03	26.82	2.04	26.14	2.07
	63	59	28.03	1.92	27.72	1.96	27.48	1.99	27.29	2.00	27.14	2.00	26.51	2.03
	68	64	28.11	1.91	27.86	1.94	27.72	1.96	27.58	1.96	27.47	1.97	26.89	1.99
Ducted Indoor Units 73 (135%)	-4	-4.4	28.56	3.71	26.58	3.86	26.34	3.90	26.02	3.92	25.76	3.94	24.62	4.09
	0	-0.4	32.68	3.83	30.81	3.98	30.29	4.04	29.85	4.07	29.50	4.10	28.26	4.25
	5	4.5	37.58	3.98	35.84	4.13	34.97	4.21	34.40	4.26	33.95	4.30	32.58	4.44
	10	9	40.85	4.12	39.21	4.26	38.11	4.37	37.45	4.43	36.93	4.48	35.48	4.62
	17	15	44.46	4.31	42.91	4.44	41.56	4.58	40.81	4.66	40.21	4.72	38.66	4.86
	20	19	46.65	4.43	45.16	4.56	43.65	4.72	42.84	4.81	42.20	4.88	40.59	5.01
	25	23	50.31	4.65	48.82	4.78	47.12	4.96	46.23	5.06	45.52	5.14	43.81	5.28
	30	28	54.02	4.88	52.35	5.05	50.55	5.20	49.62	5.32	48.88	5.41	47.08	5.54
	35	32	57.72	5.12	55.88	5.30	53.98	5.44	53.01	5.57	52.23	5.67	50.35	5.81
	40	36	60.66	5.27	58.96	5.45	57.08	5.61	56.09	5.73	55.30	5.82	53.30	5.97
	45	41	64.34	5.46	62.80	5.64	60.95	5.82	59.94	5.92	59.13	6.01	56.98	6.18
	47	43	65.81	5.53	64.34	5.72	62.50	5.90	61.48	6.00	60.66	6.08	58.46	6.26
	50	46	66.00	5.50	64.67	5.66	63.07	5.83	62.16	5.91	61.43	5.98	59.35	6.15
	55	51	66.33	5.44	65.23	5.57	64.02	5.71	63.29	5.77	62.70	5.82	60.84	5.95
	60	56	66.65	5.38	65.78	5.49	64.97	5.59	64.42	5.63	63.97	5.66	62.33	5.75
	63	59	66.84	5.35	66.11	5.43	65.54	5.51	65.09	5.54	64.73	5.56	63.23	5.63
	68	64	67.04	5.31	66.45	5.38	66.12	5.44	65.78	5.46	65.51	5.47	64.14	5.51

TC = Total Capacity (kBtu/h).

PI = Power Input (kW).

Nominal Capacity as rated: 0 ft. above sea level with Piping Length as Main Pipe (16.4 ft.) + Branch pipe (98.4 ft.) = 115 ft.

0 ft. level difference between outdoor and indoor units.

Nominal heating capacity rating obtained with air entering the indoor unit at 70°F dry bulb (DB) and 60°F wet bulb (WB), and outdoor ambient conditions of 47°F dry bulb (DB) and 43°F wet bulb (WB).

PERFORMANCE DATA

Heating Capacity Tables

MULTI F
MULTI F MAX

Table 306: LMU540HV Heating Capacity Table — Ducted Indoor Units (continued).

Combination Capacity Index (kBtu/h[%])	Outdoor Air Temp.		Indoor Air Temp. °F DB											
			61		64		68		70		72		75	
	°F DB	°F WB	TC	PI	TC	PI	TC	PI	TC	PI	TC	PI	TC	PI
Ducted Indoor Units 70 (130%)	-4	-4.4	28.30	3.67	26.34	3.82	26.11	3.86	25.78	3.88	25.53	3.90	24.40	4.05
	0	-0.4	32.39	3.79	30.53	3.94	30.02	4.00	29.58	4.03	29.24	4.06	28.01	4.20
	5	4.5	37.24	3.94	35.52	4.09	34.66	4.17	34.10	4.22	33.65	4.25	32.29	4.40
	10	9	40.49	4.08	38.86	4.22	37.77	4.33	37.12	4.38	36.60	4.43	35.16	4.57
	17	15	44.06	4.26	42.53	4.40	41.19	4.53	40.44	4.61	39.85	4.67	38.32	4.81
	20	19	46.23	4.38	44.76	4.52	43.26	4.67	42.46	4.76	41.82	4.83	40.23	4.96
	25	23	49.86	4.60	48.39	4.73	46.70	4.91	45.82	5.01	45.11	5.09	43.41	5.22
	30	28	53.54	4.84	51.88	4.99	50.10	5.15	49.18	5.26	48.44	5.35	46.66	5.49
	35	32	57.21	5.07	55.38	5.25	53.50	5.39	52.54	5.51	51.77	5.61	49.90	5.75
	40	36	60.12	5.22	58.43	5.40	56.57	5.55	55.59	5.67	54.80	5.76	52.82	5.91
	45	41	63.76	5.40	62.24	5.58	60.41	5.76	59.40	5.86	58.60	5.95	56.47	6.12
	47	43	65.22	5.48	63.76	5.66	61.94	5.84	60.93	5.94	60.12	6.02	57.93	6.20
	50	46	65.41	5.44	64.09	5.61	62.51	5.77	61.60	5.86	60.88	5.92	58.82	6.08
	55	51	65.73	5.39	64.64	5.52	63.45	5.65	62.72	5.71	62.14	5.76	60.30	5.89
	60	56	66.05	5.33	65.19	5.43	64.39	5.53	63.84	5.57	63.40	5.60	61.78	5.69
	63	59	66.24	5.29	65.52	5.38	64.96	5.46	64.51	5.49	64.15	5.51	62.66	5.57
	68	64	66.44	5.26	65.85	5.33	65.52	5.39	65.19	5.40	64.92	5.41	63.56	5.46
Ducted Indoor Units 65 (120%)	-4	-4.4	27.88	3.60	25.94	3.75	25.72	3.79	25.40	3.81	25.14	3.83	24.04	3.97
	0	-0.4	31.90	3.72	30.08	3.87	29.57	3.92	29.14	3.96	28.80	3.98	27.59	4.13
	5	4.5	36.68	3.87	34.99	4.01	34.14	4.09	33.59	4.14	33.14	4.17	31.81	4.31
	10	9	39.88	4.00	38.28	4.14	37.21	4.25	36.57	4.30	36.05	4.35	34.64	4.49
	17	15	43.41	4.18	41.90	4.32	40.57	4.45	39.84	4.52	39.25	4.58	37.74	4.72
	20	19	45.54	4.30	44.09	4.43	42.62	4.59	41.83	4.67	41.19	4.74	39.63	4.87
	25	23	49.12	4.51	47.66	4.65	46.00	4.82	45.13	4.92	44.44	5.00	42.77	5.13
	30	28	52.74	4.75	51.10	4.90	49.35	5.05	48.44	5.16	47.72	5.25	45.96	5.39
	35	32	56.35	4.98	54.56	5.15	52.70	5.29	51.75	5.41	50.99	5.51	49.15	5.64
	40	36	59.22	5.12	57.56	5.30	55.72	5.45	54.76	5.56	53.99	5.65	52.03	5.80
	45	41	62.81	5.30	61.31	5.48	59.50	5.65	58.52	5.75	57.73	5.84	55.63	6.01
	47	43	64.25	5.38	62.81	5.55	61.02	5.73	60.02	5.83	59.22	5.91	57.07	6.09
	50	46	64.44	5.34	63.14	5.50	61.57	5.66	60.68	5.75	59.97	5.81	57.94	5.97
	55	51	64.75	5.29	63.68	5.42	62.50	5.54	61.78	5.61	61.21	5.66	59.40	5.78
	60	56	65.07	5.23	64.22	5.33	63.43	5.43	62.89	5.47	62.45	5.50	60.85	5.59
	63	59	65.25	5.20	64.54	5.28	63.98	5.36	63.55	5.39	63.20	5.41	61.73	5.47
	68	64	65.44	5.16	64.87	5.23	64.55	5.29	64.22	5.30	63.95	5.31	62.61	5.36
Ducted Indoor Units 59 (110%)	-4	-4.4	27.37	3.52	25.47	3.66	25.25	3.70	24.93	3.72	24.68	3.73	23.60	3.88
	0	-0.4	31.32	3.63	29.53	3.77	29.03	3.83	28.61	3.86	28.27	3.89	27.08	4.03
	5	4.5	36.01	3.78	34.35	3.91	33.52	3.99	32.97	4.04	32.54	4.07	31.23	4.21
	10	9	39.15	3.91	37.58	4.04	36.52	4.14	35.90	4.20	35.39	4.25	34.00	4.38
	17	15	42.61	4.08	41.13	4.21	39.83	4.34	39.11	4.42	38.53	4.47	37.05	4.60
	20	19	44.70	4.20	43.28	4.33	41.84	4.48	41.06	4.56	40.44	4.63	38.90	4.75
	25	23	48.22	4.41	46.79	4.53	45.16	4.71	44.31	4.80	43.62	4.88	41.98	5.00
	30	28	51.77	4.63	50.17	4.78	48.44	4.93	47.56	5.04	46.84	5.13	45.12	5.26
	35	32	55.32	4.86	53.56	5.03	51.73	5.16	50.80	5.28	50.06	5.38	48.25	5.51
	40	36	58.14	5.00	56.50	5.17	54.70	5.32	53.75	5.43	53.00	5.52	51.08	5.66
	45	41	61.66	5.18	60.19	5.35	58.41	5.51	57.44	5.62	56.67	5.70	54.61	5.86
	47	43	63.07	5.25	61.66	5.42	59.90	5.59	58.92	5.69	58.14	5.77	56.02	5.94
	50	46	63.26	5.21	61.98	5.37	60.45	5.53	59.57	5.61	58.87	5.68	56.88	5.83
	55	51	63.56	5.16	62.51	5.29	61.36	5.41	60.65	5.47	60.09	5.52	58.31	5.64
	60	56	63.87	5.10	63.04	5.20	62.27	5.30	61.73	5.34	61.31	5.37	59.74	5.45
	63	59	64.06	5.07	63.36	5.15	62.81	5.23	62.38	5.26	62.04	5.28	60.60	5.34
	68	64	64.24	5.04	63.68	5.10	63.36	5.16	63.04	5.18	62.78	5.19	61.47	5.23

TC = Total Capacity (kBtu/h).

PI = Power Input (kW).

Nominal Capacity as rated: 0 ft. above sea level with Piping Length as Main Pipe (16.4 ft.) + Branch pipe (98.4 ft.) = 115 ft.

0 ft. level difference between outdoor and indoor units.

Nominal heating capacity rating obtained with air entering the indoor unit at 70°F dry bulb (DB) and 60°F wet bulb (WB), and outdoor ambient conditions of 47°F dry bulb (DB) and 43°F wet bulb (WB).

Multi F and Multi F MAX Heat Pump System Engineering Manual

Table 307: LMU540HV Heating Capacity Table — Ducted Indoor Units (continued).

Combination Capacity Index (kBtu/h[%])	Outdoor Air Temp.		Indoor Air Temp. °F DB											
			61		64		68		70		72		75	
	°F DB	°F WB	TC	PI	TC	PI	TC	PI	TC	PI	TC	PI	TC	PI
Ducted Indoor Units 54 (100%)	-4	-4.4	26.94	3.45	25.07	3.59	24.85	3.63	24.54	3.65	24.30	3.66	23.23	3.80
	0	-0.4	30.83	3.56	29.07	3.70	28.57	3.76	28.16	3.79	27.83	3.81	26.66	3.95
	5	4.5	35.45	3.70	33.81	3.84	32.99	3.92	32.46	3.96	32.03	4.00	30.74	4.13
	10	9	38.54	3.83	36.99	3.96	35.95	4.06	35.33	4.12	34.84	4.16	33.47	4.29
	17	15	41.94	4.00	40.49	4.13	39.21	4.26	38.50	4.33	37.93	4.39	36.47	4.52
	20	19	44.01	4.12	42.60	4.24	41.18	4.39	40.42	4.47	39.81	4.54	38.29	4.66
	25	23	47.47	4.32	46.06	4.45	44.46	4.61	43.62	4.71	42.94	4.78	41.33	4.91
	30	28	50.96	4.54	49.38	4.69	47.69	4.84	46.81	4.94	46.11	5.03	44.42	5.15
	35	32	54.45	4.76	52.72	4.93	50.93	5.06	50.01	5.18	49.28	5.27	47.50	5.40
	40	36	57.23	4.90	55.62	5.07	53.85	5.21	52.92	5.32	52.17	5.41	50.28	5.56
	45	41	60.70	5.08	59.25	5.25	57.50	5.41	56.55	5.51	55.78	5.59	53.76	5.75
	47	43	62.09	5.15	60.70	5.32	58.96	5.49	58.00	5.58	57.23	5.66	55.15	5.83
	50	46	62.27	5.11	61.01	5.27	59.50	5.42	58.64	5.50	57.95	5.57	55.99	5.72
	55	51	62.57	5.06	61.53	5.18	60.40	5.31	59.70	5.37	59.15	5.42	57.40	5.53
	60	56	62.88	5.00	62.06	5.10	61.29	5.20	60.77	5.23	60.35	5.27	58.81	5.35
	63	59	63.06	4.97	62.37	5.05	61.83	5.13	61.41	5.15	61.07	5.18	59.65	5.24
	68	64	63.24	4.94	62.69	5.00	62.37	5.06	62.05	5.08	61.80	5.09	60.51	5.13
	Ducted Indoor Units 49 (90%)	-4	-4.4	24.45	3.12	22.75	3.24	22.55	3.27	22.27	3.29	22.05	3.31	21.08
0		-0.4	27.98	3.22	26.37	3.34	25.93	3.39	25.55	3.42	25.25	3.44	24.19	3.57
5		4.5	32.17	3.35	30.68	3.47	29.94	3.54	29.45	3.58	29.06	3.61	27.89	3.73
10		9	34.97	3.46	33.56	3.58	32.62	3.67	32.06	3.72	31.61	3.76	30.37	3.88
17		15	38.06	3.62	36.74	3.73	35.58	3.85	34.94	3.91	34.42	3.96	33.10	4.08
20		19	39.93	3.72	38.66	3.83	37.37	3.97	36.68	4.04	36.12	4.10	34.75	4.21
25		23	43.07	3.90	41.79	4.02	40.34	4.17	39.58	4.25	38.97	4.32	37.50	4.43
30		28	46.24	4.10	44.81	4.24	43.27	4.37	42.48	4.46	41.84	4.54	40.31	4.66
35		32	49.41	4.30	47.84	4.46	46.21	4.57	45.38	4.68	44.72	4.76	43.10	4.88
40		36	51.93	4.43	50.47	4.58	48.86	4.71	48.02	4.81	47.34	4.89	45.62	5.02
45		41	55.08	4.58	53.76	4.74	52.18	4.88	51.31	4.97	50.62	5.05	48.78	5.19
47		43	56.34	4.65	55.08	4.80	53.50	4.95	52.63	5.04	51.93	5.11	50.04	5.26
50		46	56.50	4.62	55.36	4.76	53.99	4.89	53.21	4.97	52.58	5.03	50.81	5.16
55		51	56.78	4.57	55.84	4.68	54.81	4.79	54.18	4.85	53.67	4.89	52.08	5.00
60		56	57.05	4.52	56.31	4.61	55.62	4.69	55.14	4.73	54.76	4.76	53.36	4.83
63		59	57.22	4.49	56.60	4.56	56.11	4.63	55.72	4.66	55.42	4.67	54.13	4.73
68		64	57.39	4.46	56.88	4.52	56.60	4.57	56.31	4.58	56.08	4.59	54.90	4.63
Ducted Indoor Units 43 (80%)		-4	-4.4	21.46	2.71	19.97	2.82	19.79	2.85	19.55	2.86	19.35	2.87	18.50
	0	-0.4	24.55	2.80	23.15	2.90	22.75	2.95	22.43	2.97	22.16	2.99	21.23	3.10
	5	4.5	28.23	2.91	26.93	3.01	26.27	3.07	25.85	3.11	25.51	3.14	24.48	3.24
	10	9	30.69	3.01	29.46	3.11	28.63	3.19	28.14	3.23	27.75	3.27	26.65	3.37
	17	15	33.40	3.14	32.24	3.24	31.23	3.34	30.66	3.40	30.21	3.44	29.05	3.54
	20	19	35.05	3.23	33.93	3.33	32.80	3.45	32.19	3.51	31.70	3.56	30.50	3.66
	25	23	37.80	3.39	36.68	3.49	35.40	3.62	34.73	3.70	34.20	3.75	32.91	3.85
	30	28	40.58	3.57	39.33	3.68	37.98	3.80	37.28	3.88	36.72	3.95	35.37	4.05
	35	32	43.37	3.74	41.99	3.87	40.56	3.97	39.83	4.06	39.24	4.14	37.83	4.24
	40	36	45.58	3.85	44.30	3.98	42.88	4.09	42.14	4.18	41.55	4.25	40.04	4.36
	45	41	48.34	3.98	47.18	4.12	45.79	4.25	45.03	4.32	44.42	4.38	42.81	4.51
	47	43	49.44	4.04	48.34	4.17	46.96	4.31	46.19	4.38	45.58	4.44	43.92	4.57
	50	46	49.59	4.01	48.59	4.13	47.39	4.25	46.70	4.32	46.15	4.37	44.59	4.49
	55	51	49.83	3.97	49.00	4.07	48.10	4.17	47.55	4.21	47.11	4.25	45.71	4.34
	60	56	50.07	3.93	49.42	4.00	48.81	4.08	48.40	4.11	48.06	4.13	46.83	4.20
	63	59	50.22	3.90	49.67	3.97	49.24	4.03	48.90	4.05	48.63	4.06	47.50	4.11
	68	64	50.36	3.88	49.92	3.93	49.67	3.97	49.42	3.98	49.21	3.99	48.19	4.03

TC = Total Capacity (kBtu/h).

PI = Power Input (kW).

Nominal Capacity as rated: 0 ft. above sea level with Piping Length as Main Pipe (16.4 ft.) + Branch pipe (98.4 ft.) = 115 ft.

0 ft. level difference between outdoor and indoor units.

Nominal heating capacity rating obtained with air entering the indoor unit at 70°F dry bulb (DB) and 60°F wet bulb (WB), and outdoor ambient conditions of 47°F dry bulb (DB) and 43°F wet bulb (WB).

PERFORMANCE DATA

Heating Capacity Tables

MULTI F
MULTI F MAX

Table 308: LMU540HV Heating Capacity Table — Ducted Indoor Units (continued).

Combination Capacity Index (kBtu/h[%])	Outdoor Air Temp.		Indoor Air Temp. °F DB											
			61		64		68		70		72		75	
	°F DB	°F WB	TC	PI	TC	PI	TC	PI	TC	PI	TC	PI	TC	PI
Ducted Indoor Units 38 (70%)	-4	-4.4	18.96	2.37	17.64	2.47	17.49	2.49	17.27	2.51	17.10	2.52	16.35	2.62
	0	-0.4	21.70	2.45	20.46	2.55	20.11	2.58	19.82	2.61	19.59	2.62	18.76	2.72
	5	4.5	24.95	2.55	23.80	2.64	23.22	2.70	22.84	2.73	22.54	2.75	21.63	2.84
	10	9	27.13	2.64	26.03	2.73	25.30	2.80	24.87	2.83	24.52	2.87	23.56	2.96
	17	15	29.52	2.76	28.49	2.84	27.60	2.93	27.10	2.98	26.70	3.02	25.67	3.11
	20	19	30.97	2.83	29.98	2.92	28.98	3.02	28.45	3.08	28.02	3.12	26.95	3.21
	25	23	33.41	2.97	32.42	3.06	31.29	3.18	30.70	3.24	30.22	3.29	29.09	3.38
	30	28	35.87	3.13	34.76	3.23	33.56	3.33	32.95	3.40	32.45	3.46	31.26	3.55
	35	32	38.32	3.28	37.10	3.39	35.84	3.48	35.20	3.56	34.68	3.63	33.43	3.72
	40	36	40.28	3.37	39.15	3.49	37.90	3.59	37.24	3.66	36.72	3.72	35.39	3.82
	45	41	42.72	3.49	41.70	3.61	40.47	3.72	39.80	3.79	39.26	3.84	37.83	3.96
	47	43	43.70	3.54	42.72	3.66	41.50	3.77	40.82	3.84	40.28	3.89	38.81	4.01
	50	46	43.82	3.52	42.94	3.62	41.88	3.73	41.27	3.79	40.78	3.83	39.41	3.93
	55	51	44.04	3.48	43.31	3.57	42.51	3.65	42.02	3.69	41.63	3.73	40.40	3.81
	60	56	44.25	3.44	43.68	3.51	43.14	3.58	42.77	3.60	42.47	3.62	41.39	3.68
	63	59	44.38	3.42	43.90	3.48	43.52	3.53	43.22	3.55	42.98	3.56	41.98	3.60
	68	64	44.51	3.40	44.12	3.44	43.90	3.48	43.67	3.49	43.49	3.50	42.58	3.53
Ducted Indoor Units 32 (60%)	-4	-4.4	15.97	1.97	14.86	2.05	14.73	2.07	14.54	2.08	14.40	2.09	13.76	2.17
	0	-0.4	18.27	2.03	17.22	2.11	16.93	2.14	16.69	2.16	16.49	2.17	15.80	2.25
	5	4.5	21.01	2.11	20.04	2.19	19.55	2.23	19.23	2.26	18.98	2.28	18.22	2.35
	10	9	22.84	2.18	21.92	2.26	21.31	2.32	20.94	2.35	20.65	2.37	19.83	2.45
	17	15	24.86	2.28	23.99	2.35	23.23	2.43	22.81	2.47	22.48	2.50	21.61	2.57
	20	19	26.08	2.35	25.25	2.42	24.40	2.50	23.95	2.55	23.59	2.59	22.69	2.66
	25	23	28.13	2.46	27.29	2.53	26.34	2.63	25.85	2.68	25.45	2.73	24.49	2.80
	30	28	30.20	2.59	29.26	2.67	28.26	2.76	27.74	2.82	27.33	2.87	26.32	2.94
	35	32	32.27	2.71	31.24	2.81	30.18	2.88	29.64	2.95	29.20	3.00	28.15	3.08
	40	36	33.91	2.79	32.96	2.89	31.91	2.97	31.36	3.03	30.91	3.08	29.79	3.17
	45	41	35.97	2.89	35.11	2.99	34.07	3.08	33.51	3.14	33.06	3.18	31.86	3.28
	47	43	36.79	2.93	35.97	3.03	34.94	3.13	34.37	3.18	33.91	3.22	32.68	3.32
	50	46	36.90	2.91	36.15	3.00	35.26	3.09	34.75	3.13	34.34	3.17	33.18	3.26
	55	51	37.08	2.88	36.46	2.95	35.79	3.02	35.38	3.06	35.05	3.09	34.01	3.15
	60	56	37.26	2.85	36.77	2.91	36.32	2.96	36.01	2.98	35.76	3.00	34.85	3.05
	63	59	37.37	2.83	36.96	2.88	36.64	2.92	36.39	2.94	36.19	2.95	35.35	2.98
	68	64	37.48	2.82	37.15	2.85	36.96	2.88	36.77	2.89	36.62	2.90	35.86	2.92
Ducted Indoor Units 27 (50%)	-4	-4.4	13.47	1.63	12.54	1.70	12.43	1.72	12.27	1.72	12.15	1.73	11.61	1.80
	0	-0.4	15.41	1.69	14.53	1.75	14.29	1.78	14.08	1.79	13.92	1.80	13.33	1.87
	5	4.5	17.72	1.75	16.91	1.82	16.50	1.85	16.23	1.87	16.01	1.89	15.37	1.95
	10	9	19.27	1.81	18.49	1.88	17.98	1.92	17.67	1.95	17.42	1.97	16.73	2.03
	17	15	20.97	1.89	20.24	1.95	19.60	2.02	19.25	2.05	18.97	2.08	18.24	2.14
	20	19	22.00	1.95	21.30	2.01	20.59	2.08	20.21	2.12	19.90	2.15	19.15	2.21
	25	23	23.73	2.04	23.03	2.10	22.23	2.18	21.81	2.23	21.47	2.26	20.66	2.32
	30	28	25.48	2.15	24.69	2.22	23.84	2.29	23.41	2.34	23.06	2.38	22.21	2.44
	35	32	27.23	2.25	26.36	2.33	25.46	2.39	25.00	2.45	24.64	2.49	23.75	2.56
	40	36	28.61	2.32	27.81	2.40	26.92	2.47	26.46	2.52	26.08	2.56	25.14	2.63
	45	41	30.35	2.40	29.62	2.48	28.75	2.56	28.27	2.61	27.89	2.64	26.88	2.72
	47	43	31.04	2.43	30.35	2.51	29.48	2.60	29.00	2.64	28.61	2.68	27.57	2.76
	50	46	31.13	2.42	30.51	2.49	29.75	2.56	29.32	2.60	28.97	2.63	28.00	2.70
	55	51	31.29	2.39	30.77	2.45	30.20	2.51	29.85	2.54	29.57	2.56	28.70	2.62
	60	56	31.44	2.37	31.03	2.41	30.65	2.46	30.38	2.48	30.17	2.49	29.40	2.53
	63	59	31.53	2.35	31.19	2.39	30.92	2.43	30.70	2.44	30.53	2.45	29.83	2.48
	68	64	31.62	2.34	31.34	2.37	31.19	2.39	31.03	2.40	30.90	2.41	30.25	2.43

TC = Total Capacity (kBtu/h).

PI = Power Input (kW).

Nominal Capacity as rated: 0 ft. above sea level with Piping Length as Main Pipe (16.4 ft.) + Branch pipe (98.4 ft.) = 115 ft.

0 ft. level difference between outdoor and indoor units.

Nominal heating capacity rating obtained with air entering the indoor unit at 70°F dry bulb (DB) and 60°F wet bulb (WB), and outdoor ambient conditions of 47°F dry bulb (DB) and 43°F wet bulb (WB).



Table 309: LMU540HV Heating Capacity Table — Ducted (continued) / Mixed Indoor Units.

Combination Capacity Index (kBtu/h[%])	Outdoor Air Temp.		Indoor Air Temp. °F DB											
			61		64		68		70		72		75	
	°F DB	°F WB	TC	PI	TC	PI	TC	PI	TC	PI	TC	PI	TC	PI
Ducted Indoor Units 24 (40%)	-4	-4.4	11.98	1.43	11.14	1.49	11.05	1.50	10.91	1.51	10.80	1.52	10.32	1.57
	0	-0.4	13.70	1.48	12.92	1.53	12.70	1.56	12.52	1.57	12.37	1.58	11.85	1.63
	5	4.5	15.76	1.53	15.03	1.59	14.66	1.62	14.43	1.64	14.24	1.65	13.66	1.71
	10	9	17.13	1.59	16.44	1.64	15.98	1.68	15.71	1.71	15.49	1.72	14.88	1.78
	17	15	18.64	1.66	18.00	1.71	17.43	1.76	17.11	1.79	16.86	1.82	16.21	1.87
	20	19	19.56	1.71	18.94	1.76	18.30	1.82	17.97	1.85	17.69	1.88	17.02	1.93
	25	23	21.10	1.79	20.47	1.84	19.76	1.91	19.39	1.95	19.09	1.98	18.37	2.03
	30	28	22.65	1.88	21.95	1.94	21.20	2.00	20.81	2.05	20.50	2.08	19.74	2.13
	35	32	24.20	1.97	23.43	2.04	22.64	2.09	22.23	2.14	21.90	2.18	21.11	2.24
	40	36	25.44	2.03	24.72	2.10	23.93	2.16	23.52	2.20	23.19	2.24	22.35	2.30
	45	41	26.98	2.10	26.33	2.17	25.56	2.24	25.13	2.28	24.79	2.31	23.89	2.38
	47	43	27.60	2.13	26.98	2.20	26.21	2.27	25.78	2.31	25.44	2.34	24.51	2.41
	50	46	27.68	2.12	27.12	2.18	26.45	2.24	26.06	2.28	25.76	2.30	24.89	2.37
	55	51	27.81	2.09	27.35	2.15	26.85	2.20	26.54	2.22	26.29	2.24	25.51	2.29
	60	56	27.95	2.07	27.58	2.11	27.24	2.15	27.01	2.17	26.82	2.18	26.14	2.21
63	59	28.03	2.06	27.72	2.09	27.48	2.12	27.29	2.13	27.14	2.14	26.51	2.17	
68	64	28.11	2.05	27.86	2.07	27.72	2.10	27.58	2.10	27.47	2.11	26.89	2.12	
Mixed Indoor Units 73 (135%)	-4	-4.4	26.12	3.64	24.24	3.79	24.07	3.83	23.78	3.85	23.55	3.86	22.51	4.01
	0	-0.4	30.59	3.77	28.80	3.92	28.34	3.97	27.93	4.01	27.61	4.03	26.44	4.18
	5	4.5	35.90	3.93	34.23	4.07	33.41	4.15	32.86	4.20	32.43	4.24	31.12	4.38
	10	9	39.45	4.07	37.86	4.21	36.80	4.32	36.17	4.38	35.66	4.43	34.26	4.57
	17	15	43.36	4.27	41.85	4.40	40.53	4.54	39.80	4.62	39.21	4.68	37.71	4.81
	20	19	45.73	4.40	44.27	4.53	42.80	4.69	42.00	4.78	41.37	4.85	39.79	4.98
	25	23	49.70	4.63	48.23	4.76	46.55	4.94	45.67	5.04	44.97	5.12	43.27	5.25
	30	28	53.71	4.87	52.05	5.03	50.26	5.19	49.34	5.30	48.60	5.40	46.82	5.53
	35	32	57.72	5.12	55.88	5.30	53.98	5.44	53.01	5.57	52.23	5.67	50.35	5.81
	40	36	60.66	5.27	58.96	5.45	57.08	5.61	56.09	5.73	55.30	5.82	53.30	5.97
	45	41	64.34	5.46	62.80	5.64	60.95	5.82	59.94	5.92	59.13	6.01	56.98	6.18
	47	43	65.81	5.53	64.34	5.72	62.50	5.90	61.48	6.00	60.66	6.08	58.46	6.26
	50	46	66.00	5.50	64.67	5.66	63.07	5.83	62.16	5.91	61.43	5.98	59.35	6.15
	55	51	66.33	5.44	65.23	5.57	64.02	5.71	63.29	5.77	62.70	5.82	60.84	5.95
	60	56	66.65	5.38	65.78	5.49	64.97	5.59	64.42	5.63	63.97	5.66	62.33	5.75
63	59	66.84	5.35	66.11	5.43	65.54	5.51	65.09	5.54	64.73	5.56	63.23	5.63	
68	64	67.04	5.31	66.45	5.38	66.12	5.44	65.78	5.46	65.51	5.47	64.14	5.51	
Mixed Indoor Units 70 (130%)	-4	-4.4	25.89	3.59	24.02	3.74	23.86	3.78	23.57	3.80	23.34	3.81	22.30	3.96
	0	-0.4	30.31	3.72	28.55	3.86	28.08	3.92	27.68	3.95	27.36	3.98	26.21	4.12
	5	4.5	35.57	3.88	33.92	4.02	33.11	4.10	32.57	4.14	32.14	4.18	30.85	4.32
	10	9	39.10	4.02	37.52	4.16	36.47	4.26	35.84	4.32	35.34	4.37	33.95	4.51
	17	15	42.97	4.21	41.48	4.35	40.17	4.48	39.44	4.56	38.86	4.62	37.37	4.75
	20	19	45.32	4.34	43.88	4.47	42.41	4.63	41.63	4.71	41.00	4.78	39.44	4.91
	25	23	49.26	4.56	47.80	4.70	46.14	4.87	45.26	4.97	44.56	5.05	42.89	5.18
	30	28	53.23	4.81	51.59	4.97	49.81	5.12	48.90	5.23	48.17	5.32	46.40	5.46
	35	32	57.21	5.05	55.38	5.23	53.50	5.37	52.54	5.49	51.77	5.59	49.90	5.73
	40	36	60.12	5.20	58.43	5.38	56.57	5.53	55.59	5.65	54.80	5.74	52.82	5.89
	45	41	63.76	5.39	62.24	5.57	60.41	5.74	59.40	5.84	58.60	5.93	56.47	6.10
	47	43	65.22	5.46	63.76	5.64	61.94	5.82	60.93	5.92	60.12	6.00	57.93	6.18
	50	46	65.41	5.42	64.09	5.59	62.51	5.75	61.60	5.84	60.88	5.90	58.82	6.06
	55	51	65.73	5.37	64.64	5.50	63.45	5.63	62.72	5.69	62.14	5.75	60.30	5.87
	60	56	66.05	5.31	65.19	5.41	64.39	5.51	63.84	5.55	63.40	5.59	61.78	5.67
63	59	66.24	5.28	65.52	5.36	64.96	5.44	64.51	5.47	64.15	5.49	62.66	5.56	
68	64	66.44	5.24	65.85	5.31	65.52	5.37	65.19	5.38	64.92	5.40	63.56	5.44	

TC = Total Capacity (kBtu/h).

PI = Power Input (kW).

Nominal Capacity as rated: 0 ft. above sea level with Piping Length as Main Pipe (16.4 ft.) + Branch pipe (98.4 ft.) = 115 ft.

0 ft. level difference between outdoor and indoor units.

Nominal heating capacity rating obtained with air entering the indoor unit at 70°F dry bulb (DB) and 60°F wet bulb (WB), and outdoor ambient conditions of 47°F dry bulb (DB) and 43°F wet bulb (WB).

Multi F MAX Outdoor Unit Data

PERFORMANCE DATA

Heating Capacity Tables

MULTI F
MULTI F MAX

Table 310: LMU540HV Heating Capacity Table —Mixed Indoor Units (continued).

Combination Capacity Index (kBtu/h[%])	Outdoor Air Temp.		Indoor Air Temp. °F DB											
			61		64		68		70		72		75	
	°F DB	°F WB	TC	PI	TC	PI	TC	PI	TC	PI	TC	PI	TC	PI
Mixed Indoor Units 65 (120%)	-4	-4.4	25.50	3.51	23.67	3.66	23.50	3.69	23.22	3.71	22.99	3.73	21.97	3.87
	0	-0.4	29.86	3.64	28.12	3.78	27.66	3.84	27.27	3.87	26.95	3.89	25.82	4.03
	5	4.5	35.04	3.79	33.41	3.93	32.61	4.01	32.08	4.05	31.66	4.09	30.38	4.23
	10	9	38.51	3.93	36.96	4.07	35.93	4.17	35.31	4.23	34.81	4.27	33.44	4.41
	17	15	42.33	4.12	40.86	4.25	39.57	4.38	38.85	4.46	38.28	4.51	36.81	4.65
	20	19	44.64	4.24	43.22	4.37	41.78	4.52	41.00	4.61	40.38	4.68	38.85	4.80
	25	23	48.52	4.46	47.08	4.59	45.45	4.77	44.59	4.86	43.90	4.94	42.25	5.07
	30	28	52.44	4.70	50.82	4.86	49.07	5.01	48.17	5.12	47.45	5.21	45.70	5.34
	35	32	56.35	4.94	54.56	5.12	52.70	5.25	51.75	5.37	50.99	5.47	49.15	5.60
	40	36	59.22	5.09	57.56	5.26	55.72	5.41	54.76	5.52	53.99	5.62	52.03	5.76
	45	41	62.81	5.27	61.31	5.44	59.50	5.61	58.52	5.71	57.73	5.80	55.63	5.96
	47	43	64.25	5.34	62.81	5.52	61.02	5.69	60.02	5.79	59.22	5.87	57.07	6.04
	50	46	64.44	5.31	63.14	5.46	61.57	5.62	60.68	5.71	59.97	5.77	57.94	5.93
	55	51	64.75	5.25	63.68	5.38	62.50	5.51	61.78	5.57	61.21	5.62	59.40	5.74
	60	56	65.07	5.19	64.22	5.29	63.43	5.39	62.89	5.43	62.45	5.46	60.85	5.55
	63	59	65.25	5.16	64.54	5.24	63.98	5.32	63.55	5.35	63.20	5.37	61.73	5.43
	68	64	65.44	5.13	64.87	5.19	64.55	5.25	64.22	5.27	63.95	5.28	62.61	5.32
Mixed Indoor Units 59 (110%)	-4	-4.4	25.03	3.42	23.23	3.56	23.07	3.59	22.79	3.61	22.57	3.63	21.57	3.77
	0	-0.4	29.31	3.54	27.60	3.67	27.16	3.73	26.77	3.76	26.46	3.78	25.34	3.92
	5	4.5	34.40	3.69	32.80	3.82	32.01	3.90	31.50	3.94	31.08	3.98	29.83	4.11
	10	9	37.81	3.82	36.28	3.95	35.27	4.05	34.66	4.11	34.18	4.15	32.83	4.28
	17	15	41.56	4.01	40.11	4.13	38.85	4.26	38.14	4.33	37.58	4.39	36.14	4.52
	20	19	43.83	4.13	42.43	4.25	41.01	4.40	40.25	4.48	39.64	4.55	38.14	4.67
	25	23	47.63	4.34	46.22	4.47	44.61	4.64	43.77	4.73	43.09	4.80	41.47	4.93
	30	28	51.48	4.57	49.88	4.72	48.17	4.87	47.29	4.98	46.58	5.06	44.87	5.19
	35	32	55.32	4.81	53.56	4.98	51.73	5.11	50.80	5.22	50.06	5.32	48.25	5.45
	40	36	58.14	4.95	56.50	5.12	54.70	5.26	53.75	5.37	53.00	5.46	51.08	5.60
	45	41	61.66	5.12	60.19	5.29	58.41	5.46	57.44	5.56	56.67	5.64	54.61	5.80
	47	43	63.07	5.19	61.66	5.36	59.90	5.53	58.92	5.63	58.14	5.71	56.02	5.88
	50	46	63.26	5.16	61.98	5.31	60.45	5.47	59.57	5.55	58.87	5.62	56.88	5.77
	55	51	63.56	5.10	62.51	5.23	61.36	5.35	60.65	5.42	60.09	5.46	58.31	5.58
	60	56	63.87	5.05	63.04	5.15	62.27	5.24	61.73	5.28	61.31	5.31	59.74	5.40
	63	59	64.06	5.02	63.36	5.10	62.81	5.17	62.38	5.20	62.04	5.22	60.60	5.28
	68	64	64.24	4.98	63.68	5.05	63.36	5.11	63.04	5.12	62.78	5.13	61.47	5.17
Mixed Indoor Units 54 (100%)	-4	-4.4	24.64	3.33	22.87	3.47	22.71	3.50	22.44	3.52	22.22	3.54	21.23	3.67
	0	-0.4	28.86	3.45	27.17	3.58	26.73	3.64	26.35	3.67	26.05	3.69	24.95	3.82
	5	4.5	33.86	3.60	32.29	3.73	31.51	3.80	31.00	3.84	30.60	3.88	29.36	4.01
	10	9	37.22	3.73	35.72	3.86	34.72	3.95	34.12	4.01	33.64	4.05	32.32	4.18
	17	15	40.91	3.91	39.48	4.03	38.24	4.16	37.55	4.22	36.99	4.28	35.57	4.40
	20	19	43.14	4.02	41.77	4.15	40.37	4.29	39.62	4.37	39.02	4.43	37.54	4.56
	25	23	46.89	4.23	45.50	4.36	43.92	4.52	43.09	4.61	42.42	4.68	40.82	4.81
	30	28	50.67	4.46	49.11	4.61	47.42	4.75	46.55	4.85	45.85	4.94	44.17	5.06
	35	32	54.45	4.69	52.72	4.85	50.93	4.98	50.01	5.09	49.28	5.19	47.50	5.31
	40	36	57.23	4.82	55.62	4.99	53.85	5.13	52.92	5.24	52.17	5.32	50.28	5.47
	45	41	60.70	4.99	59.25	5.16	57.50	5.32	56.55	5.42	55.78	5.50	53.76	5.66
	47	43	62.09	5.06	60.70	5.23	58.96	5.40	58.00	5.49	57.23	5.56	55.15	5.73
	50	46	62.27	5.03	61.01	5.18	59.50	5.33	58.64	5.41	57.95	5.48	55.99	5.62
	55	51	62.57	4.98	61.53	5.10	60.40	5.22	59.70	5.28	59.15	5.33	57.40	5.44
	60	56	62.88	4.92	62.06	5.02	61.29	5.11	60.77	5.15	60.35	5.18	58.81	5.26
	63	59	63.06	4.89	62.37	4.97	61.83	5.05	61.41	5.07	61.07	5.09	59.65	5.15
	68	64	63.24	4.86	62.69	4.92	62.37	4.98	62.05	4.99	61.80	5.00	60.51	5.05

TC = Total Capacity (kBtu/h).

PI = Power Input (kW).

Nominal Capacity as rated: 0 ft. above sea level with Piping Length as Main Pipe (16.4 ft.) + Branch pipe (98.4 ft.) = 115 ft.

0 ft. level difference between outdoor and indoor units.

Nominal heating capacity rating obtained with air entering the indoor unit at 70°F dry bulb (DB) and 60°F wet bulb (WB), and outdoor ambient conditions of 47°F dry bulb (DB) and 43°F wet bulb (WB).

Multi F and Multi F MAX Heat Pump System Engineering Manual

Table 311: LMU540HV Heating Capacity Table —Mixed Indoor Units (continued).

Combination Capacity Index (kBtu/h[%])	Outdoor Air Temp.		Indoor Air Temp. °F DB											
			61		64		68		70		72		75	
	°F DB	°F WB	TC	PI	TC	PI	TC	PI	TC	PI	TC	PI	TC	PI
Mixed Indoor Units 49 (90%)	-4	-4.4	22.36	3.00	20.75	3.13	20.61	3.16	20.36	3.17	20.16	3.19	19.27	3.31
	0	-0.4	26.18	3.11	24.66	3.23	24.26	3.28	23.91	3.31	23.64	3.33	22.64	3.45
	5	4.5	30.73	3.24	29.30	3.36	28.60	3.43	28.13	3.47	27.76	3.50	26.64	3.61
	10	9	33.77	3.36	32.41	3.48	31.50	3.56	30.96	3.61	30.53	3.65	29.33	3.77
	17	15	37.12	3.52	35.83	3.63	34.70	3.75	34.07	3.81	33.57	3.86	32.28	3.97
	20	19	39.15	3.63	37.90	3.74	36.64	3.87	35.96	3.94	35.41	4.00	34.07	4.11
	25	23	42.55	3.82	41.29	3.93	39.85	4.08	39.10	4.16	38.49	4.22	37.04	4.33
	30	28	45.98	4.02	44.56	4.15	43.03	4.28	42.24	4.38	41.61	4.45	40.08	4.56
	35	32	49.41	4.22	47.84	4.38	46.21	4.49	45.38	4.59	44.72	4.68	43.10	4.79
	40	36	51.93	4.35	50.47	4.50	48.86	4.63	48.02	4.72	47.34	4.80	45.62	4.93
	45	41	55.08	4.50	53.76	4.65	52.18	4.80	51.31	4.89	50.62	4.96	48.78	5.10
	47	43	56.34	4.56	55.08	4.72	53.50	4.87	52.63	4.95	51.93	5.02	50.04	5.17
	50	46	56.50	4.54	55.36	4.67	53.99	4.81	53.21	4.88	52.58	4.94	50.81	5.07
	55	51	56.78	4.49	55.84	4.60	54.81	4.71	54.18	4.76	53.67	4.80	52.08	4.91
	60	56	57.05	4.44	56.31	4.53	55.62	4.61	55.14	4.64	54.76	4.67	53.36	4.74
	63	59	57.22	4.41	56.60	4.48	56.11	4.55	55.72	4.57	55.42	4.59	54.13	4.65
	68	64	57.39	4.38	56.88	4.44	56.60	4.49	56.31	4.50	56.08	4.51	54.90	4.55
Mixed Indoor Units 43 (80%)	-4	-4.4	19.62	2.61	18.21	2.72	18.08	2.74	17.87	2.76	17.69	2.77	16.91	2.88
	0	-0.4	22.98	2.70	21.64	2.81	21.29	2.85	20.99	2.87	20.74	2.89	19.87	2.99
	5	4.5	26.97	2.82	25.71	2.92	25.10	2.98	24.69	3.01	24.37	3.04	23.38	3.14
	10	9	29.64	2.92	28.44	3.02	27.65	3.10	27.17	3.14	26.79	3.17	25.74	3.27
	17	15	32.58	3.06	31.44	3.16	30.45	3.25	29.90	3.31	29.46	3.35	28.33	3.45
	20	19	34.36	3.15	33.26	3.25	32.15	3.36	31.56	3.42	31.08	3.47	29.90	3.57
	25	23	37.34	3.31	36.23	3.41	34.97	3.54	34.31	3.61	33.78	3.67	32.51	3.77
	30	28	40.36	3.49	39.11	3.61	37.76	3.72	37.07	3.80	36.52	3.87	35.17	3.96
	35	32	43.37	3.67	41.99	3.80	40.56	3.90	39.83	3.99	39.24	4.06	37.83	4.16
	40	36	45.58	3.78	44.30	3.91	42.88	4.02	42.14	4.10	41.55	4.17	40.04	4.28
	45	41	48.34	3.91	47.18	4.04	45.79	4.17	45.03	4.24	44.42	4.30	42.81	4.43
	47	43	49.44	3.97	48.34	4.10	46.96	4.23	46.19	4.30	45.58	4.36	43.92	4.49
	50	46	49.59	3.94	48.59	4.06	47.39	4.18	46.70	4.24	46.15	4.29	44.59	4.40
	55	51	49.83	3.90	49.00	3.99	48.10	4.09	47.55	4.14	47.11	4.17	45.71	4.26
	60	56	50.07	3.86	49.42	3.93	48.81	4.00	48.40	4.03	48.06	4.06	46.83	4.12
	63	59	50.22	3.83	49.67	3.89	49.24	3.95	48.90	3.97	48.63	3.99	47.50	4.04
	68	64	50.36	3.81	49.92	3.86	49.67	3.90	49.42	3.91	49.21	3.92	48.19	3.95
Mixed Indoor Units 38 (70%)	-4	-4.4	17.34	2.28	16.09	2.37	15.98	2.39	15.79	2.41	15.64	2.42	14.94	2.51
	0	-0.4	20.31	2.36	19.12	2.45	18.81	2.48	18.55	2.50	18.33	2.52	17.56	2.61
	5	4.5	23.83	2.46	22.73	2.54	22.18	2.60	21.82	2.63	21.53	2.65	20.66	2.74
	10	9	26.19	2.55	25.14	2.63	24.43	2.70	24.01	2.74	23.68	2.77	22.75	2.85
	17	15	28.79	2.67	27.79	2.75	26.91	2.84	26.43	2.89	26.04	2.92	25.03	3.01
	20	19	30.36	2.75	29.40	2.83	28.41	2.93	27.89	2.98	27.47	3.03	26.42	3.11
	25	23	33.00	2.89	32.02	2.98	30.91	3.09	30.32	3.15	29.86	3.20	28.73	3.28
	30	28	35.66	3.05	34.56	3.15	33.37	3.24	32.76	3.31	32.27	3.37	31.08	3.46
	35	32	38.32	3.20	37.10	3.31	35.84	3.40	35.20	3.48	34.68	3.54	33.43	3.63
	40	36	40.28	3.29	39.15	3.41	37.90	3.50	37.24	3.58	36.72	3.64	35.39	3.73
	45	41	42.72	3.41	41.70	3.53	40.47	3.63	39.80	3.70	39.26	3.75	37.83	3.86
	47	43	43.70	3.46	42.72	3.57	41.50	3.69	40.82	3.75	40.28	3.80	38.81	3.92
	50	46	43.82	3.44	42.94	3.54	41.88	3.64	41.27	3.70	40.78	3.74	39.41	3.84
	55	51	44.04	3.40	43.31	3.48	42.51	3.57	42.02	3.61	41.63	3.64	40.40	3.72
	60	56	44.25	3.36	43.68	3.43	43.14	3.49	42.77	3.52	42.47	3.54	41.39	3.59
	63	59	44.38	3.34	43.90	3.40	43.52	3.45	43.22	3.46	42.98	3.48	41.98	3.52
	68	64	44.51	3.32	44.12	3.36	43.90	3.40	43.67	3.41	43.49	3.42	42.58	3.45

TC = Total Capacity (kBtu/h).

PI = Power Input (kW).

Nominal Capacity as rated: 0 ft. above sea level with Piping Length as Main Pipe (16.4 ft.) + Branch pipe (98.4 ft.) = 115 ft.

0 ft. level difference between outdoor and indoor units.

Nominal heating capacity rating obtained with air entering the indoor unit at 70°F dry bulb (DB) and 60°F wet bulb (WB), and outdoor ambient conditions of 47°F dry bulb (DB) and 43°F wet bulb (WB).

PERFORMANCE DATA

Heating Capacity Tables

MULTI F
MULTI F MAX

Table 312: LMU540HV Heating Capacity Table —Mixed Indoor Units (continued).

Combination Capacity Index (kBtu/h[%])	Outdoor Air Temp.		Indoor Air Temp. °F DB											
			61		64		68		70		72		75	
	°F DB	°F WB	TC	PI	TC	PI	TC	PI	TC	PI	TC	PI	TC	PI
Mixed Indoor Units 32 (60%)	-4	-4.4	14.60	1.88	13.55	1.96	13.46	1.98	13.30	1.99	13.17	2.00	12.58	2.07
	0	-0.4	17.10	1.95	16.10	2.02	15.84	2.05	15.62	2.07	15.43	2.08	14.78	2.16
	5	4.5	20.07	2.03	19.13	2.10	18.67	2.15	18.37	2.17	18.13	2.19	17.40	2.26
	10	9	22.05	2.11	21.16	2.18	20.57	2.23	20.22	2.26	19.94	2.29	19.15	2.36
	17	15	24.24	2.21	23.40	2.28	22.66	2.35	22.25	2.39	21.92	2.42	21.08	2.49
	20	19	25.57	2.27	24.75	2.34	23.92	2.42	23.48	2.47	23.13	2.50	22.25	2.57
	25	23	27.79	2.39	26.96	2.46	26.02	2.55	25.53	2.60	25.14	2.65	24.19	2.71
	30	28	30.03	2.52	29.10	2.60	28.10	2.68	27.58	2.74	27.17	2.79	26.17	2.86
	35	32	32.27	2.65	31.24	2.74	30.18	2.81	29.64	2.88	29.20	2.93	28.15	3.00
	40	36	33.91	2.72	32.96	2.82	31.91	2.90	31.36	2.96	30.91	3.01	29.79	3.09
	45	41	35.97	2.82	35.11	2.91	34.07	3.00	33.51	3.06	33.06	3.10	31.86	3.19
	47	43	36.79	2.86	35.97	2.95	34.94	3.05	34.37	3.10	33.91	3.14	32.68	3.24
	50	46	36.90	2.84	36.15	2.93	35.26	3.01	34.75	3.06	34.34	3.09	33.18	3.18
	55	51	37.08	2.81	36.46	2.88	35.79	2.95	35.38	2.98	35.05	3.01	34.01	3.07
	60	56	37.26	2.78	36.77	2.83	36.32	2.89	36.01	2.91	35.76	2.93	34.85	2.97
	63	59	37.37	2.76	36.96	2.81	36.64	2.85	36.39	2.86	36.19	2.88	35.35	2.91
68	64	37.48	2.74	37.15	2.78	36.96	2.81	36.77	2.82	36.62	2.83	35.86	2.85	
Mixed Indoor Units 27 (50%)	-4	-4.4	12.32	1.55	11.43	1.62	11.35	1.63	11.22	1.64	11.11	1.65	10.62	1.71
	0	-0.4	14.43	1.61	13.59	1.67	13.37	1.70	13.18	1.71	13.02	1.72	12.47	1.78
	5	4.5	16.93	1.68	16.14	1.74	15.76	1.77	15.50	1.79	15.30	1.81	14.68	1.87
	10	9	18.61	1.74	17.86	1.80	17.36	1.84	17.06	1.87	16.82	1.89	16.16	1.95
	17	15	20.45	1.82	19.74	1.88	19.12	1.94	18.77	1.97	18.50	2.00	17.79	2.05
	20	19	21.57	1.88	20.88	1.93	20.19	2.00	19.81	2.04	19.51	2.07	18.77	2.12
	25	23	23.44	1.97	22.75	2.03	21.96	2.11	21.54	2.15	21.21	2.18	20.41	2.24
	30	28	25.34	2.08	24.55	2.15	23.71	2.21	23.27	2.26	22.93	2.30	22.08	2.36
	35	32	27.23	2.18	26.36	2.26	25.46	2.32	25.00	2.38	24.64	2.42	23.75	2.48
	40	36	28.61	2.25	27.81	2.33	26.92	2.39	26.46	2.44	26.08	2.48	25.14	2.55
	45	41	30.35	2.33	29.62	2.41	28.75	2.48	28.27	2.53	27.89	2.56	26.88	2.64
	47	43	31.04	2.36	30.35	2.44	29.48	2.52	29.00	2.56	28.61	2.59	27.57	2.67
	50	46	31.13	2.35	30.51	2.42	29.75	2.49	29.32	2.52	28.97	2.55	28.00	2.62
	55	51	31.29	2.32	30.77	2.38	30.20	2.43	29.85	2.46	29.57	2.48	28.70	2.54
	60	56	31.44	2.30	31.03	2.34	30.65	2.38	30.38	2.40	30.17	2.42	29.40	2.45
	63	59	31.53	2.28	31.19	2.32	30.92	2.35	30.70	2.36	30.53	2.37	29.83	2.40
68	64	31.62	2.27	31.34	2.30	31.19	2.32	31.03	2.33	30.90	2.33	30.25	2.35	
Mixed Indoor Units 24 (40%)	-4	-4.4	10.95	1.36	10.16	1.41	10.09	1.43	9.97	1.44	9.88	1.44	9.44	1.50
	0	-0.4	12.83	1.41	12.08	1.46	11.88	1.48	11.71	1.50	11.58	1.51	11.09	1.56
	5	4.5	15.05	1.47	14.35	1.52	14.01	1.55	13.78	1.57	13.60	1.58	13.05	1.64
	10	9	16.54	1.52	15.87	1.57	15.43	1.61	15.17	1.63	14.95	1.65	14.37	1.70
	17	15	18.18	1.59	17.55	1.64	17.00	1.70	16.69	1.72	16.44	1.75	15.81	1.80
	20	19	19.18	1.64	18.57	1.69	17.95	1.75	17.61	1.78	17.35	1.81	16.69	1.86
	25	23	20.84	1.73	20.22	1.78	19.52	1.84	19.15	1.88	18.86	1.91	18.15	1.96
	30	28	22.52	1.82	21.83	1.88	21.08	1.94	20.69	1.98	20.38	2.01	19.63	2.06
	35	32	24.20	1.91	23.43	1.98	22.64	2.03	22.23	2.08	21.90	2.12	21.11	2.17
	40	36	25.44	1.97	24.72	2.04	23.93	2.09	23.52	2.14	23.19	2.17	22.35	2.23
	45	41	26.98	2.04	26.33	2.11	25.56	2.17	25.13	2.21	24.79	2.24	23.89	2.31
	47	43	27.60	2.07	26.98	2.13	26.21	2.20	25.78	2.24	25.44	2.27	24.51	2.34
	50	46	27.68	2.05	27.12	2.11	26.45	2.18	26.06	2.21	25.76	2.23	24.89	2.29
	55	51	27.81	2.03	27.35	2.08	26.85	2.13	26.54	2.15	26.29	2.17	25.51	2.22
	60	56	27.95	2.01	27.58	2.05	27.24	2.09	27.01	2.10	26.82	2.11	26.14	2.15
	63	59	28.03	2.00	27.72	2.03	27.48	2.06	27.29	2.07	27.14	2.08	26.51	2.10
68	64	28.11	1.98	27.86	2.01	27.72	2.03	27.58	2.04	27.47	2.04	26.89	2.06	

TC = Total Capacity (kBtu/h).

PI = Power Input (kW).

Nominal Capacity as rated: 0 ft. above sea level with Piping Length as Main Pipe (16.4 ft.) + Branch pipe (98.4 ft.) = 115 ft.

0 ft. level difference between outdoor and indoor units.

Nominal heating capacity rating obtained with air entering the indoor unit at 70°F dry bulb (DB) and 60°F wet bulb (WB), and outdoor ambient conditions of 47°F dry bulb (DB) and 43°F wet bulb (WB).

Multi F and Multi F MAX Heat Pump System Engineering Manual

Electrical Data

Table 313: LMU540HV Electrical Data.

Nominal Tons	Unit Model No.	Hertz	Voltage	Voltage Range (Min. to Max.)	MCA	MOP	Compressor Quantity	Compressor Motor RLA	Condenser Fan Motor(s)	
									Condenser Fan Quantity x kW	Condenser Fan Motor FLA
4.5	LMU540HV	60	208 - 230	187 - 253	26.4	40	1	18.5	2 x 0.12	1.25 x 2

Voltage tolerance is $\pm 10\%$.

Maximum allowable voltage unbalance is 2%.

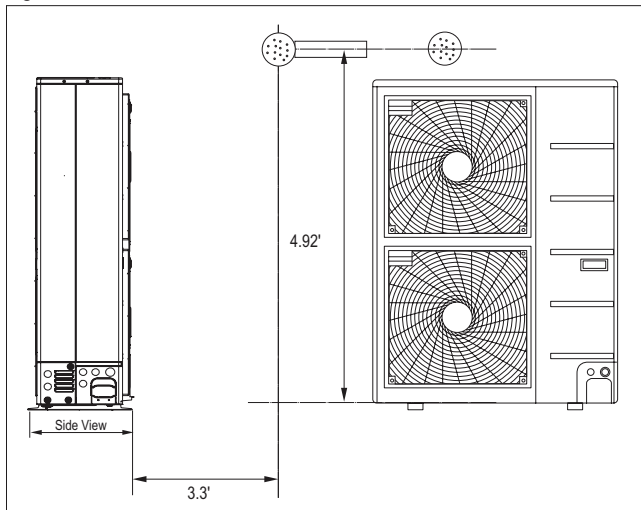
RLA = Rated Load Amps.

MCA = Minimum Circuit Ampacity.

Maximum Overcurrent Protection (MOP) is calculated as follows: (Largest motor FLA x 2.25) + (Sum of other motor FLA) rounded down to the nearest standard fuse size.

Acoustic Data

Figure 21: Sound Pressure Level Measurement Location.

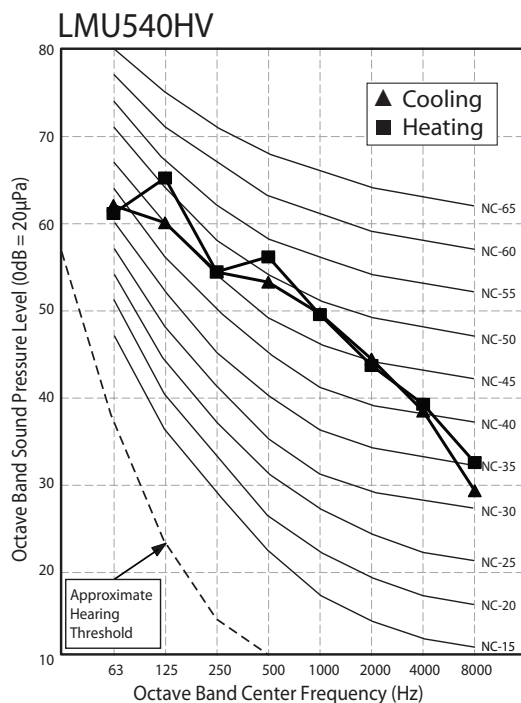


- Measurement taken 4.92' above finished floor, and at a distance of 3.3' from face of unit.
- Measurements taken with no attenuation and units operating at full load normal operating condition.
- Sound level will vary depending on a range of factors such as construction (acoustic absorption coefficient) of particular area in which the equipment is installed.
- Sound pressure levels are measured in dB(A) ± 3 .
- Tested in anechoic chamber per ISO Standard 3745.

Table 314: Sound Pressure Levels (dB[A]).

Model No.	Sound Pressure Levels (dB[A])	
	Cooling	Heating
LMU540HV	54	56

Figure 22: Sound Pressure Diagram.



MULTI F MAX OUTDOOR UNIT

MULTI F
MULTI F MAX

Refrigerant Flow Diagram

Figure 23: LMU540HV Refrigerant Flow Diagram.

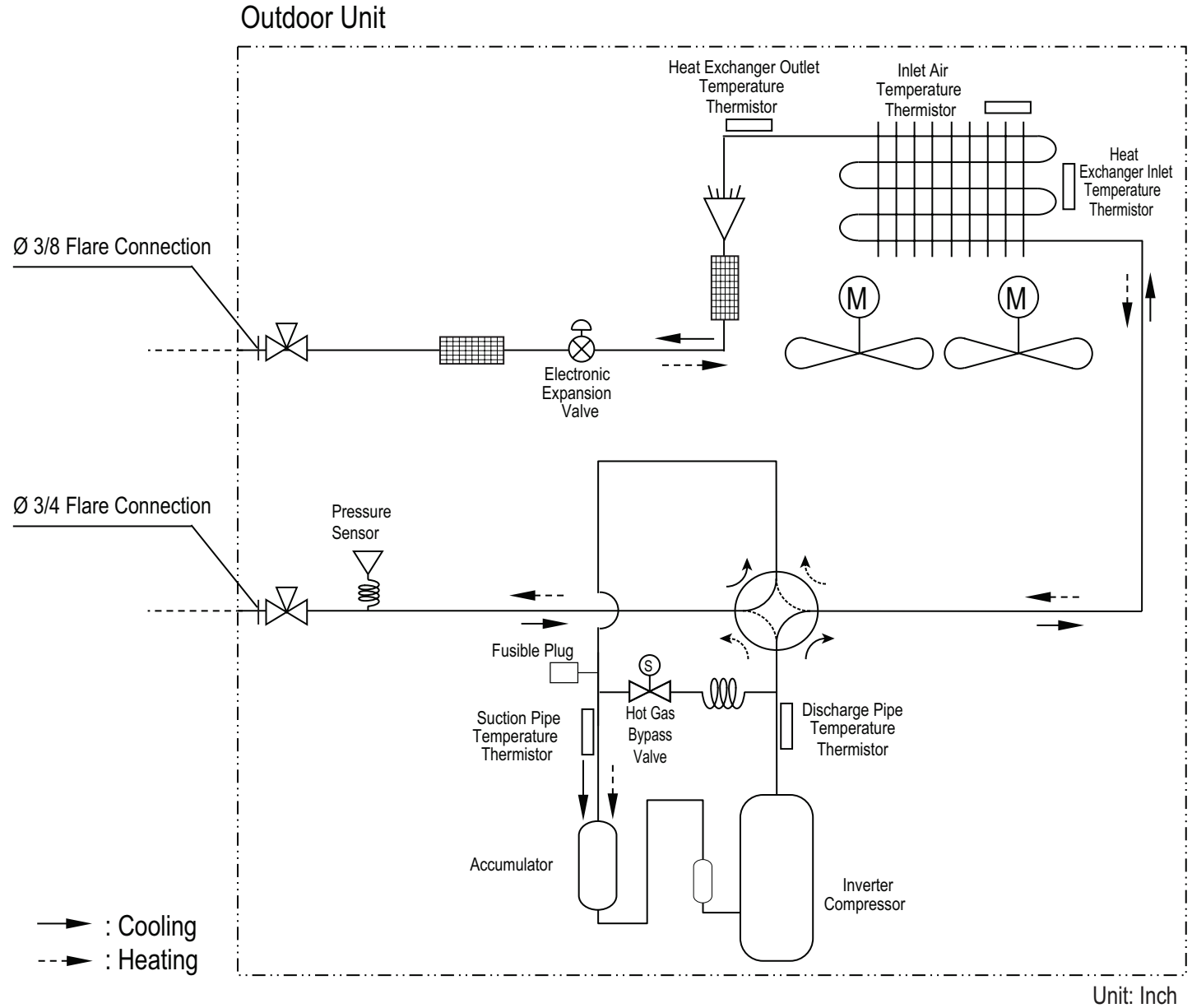
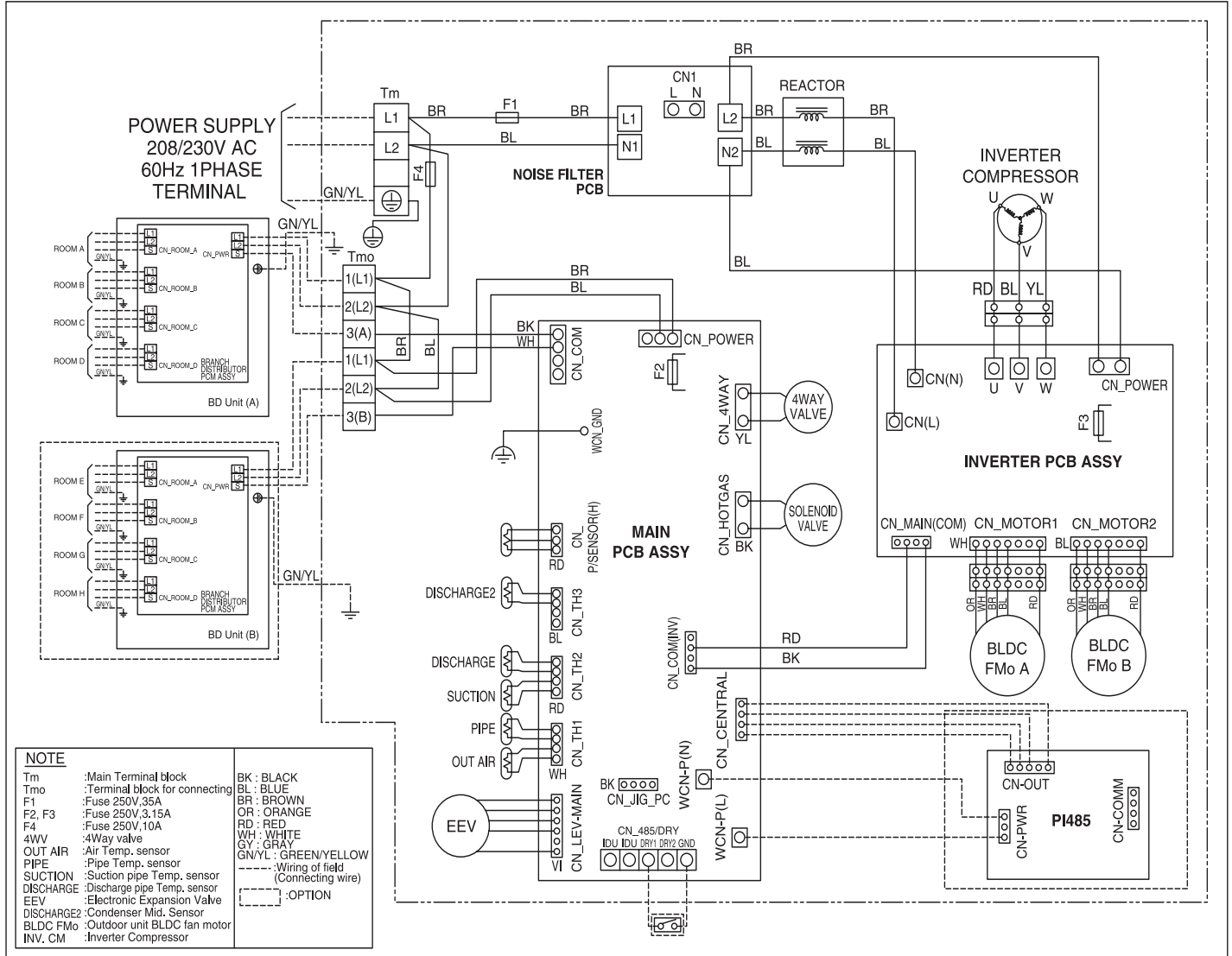


Table 315: LMU540HV Thermistor Details.

Description	PCB Connector
Heat Exchanger Inlet Temperature Thermistor	CN-TH3
Heat Exchanger Outlet Temperature Thermistor	CN-TH1
Inlet Air Temperature Thermistor	
Discharge Pipe Temperature Thermistor	CN-TH2
Suction Pipe Temperature Thermistor	
Pressure Sensor	CN-P/SENSOR(H)

Figure 24: LMU540HV Wiring Diagram.

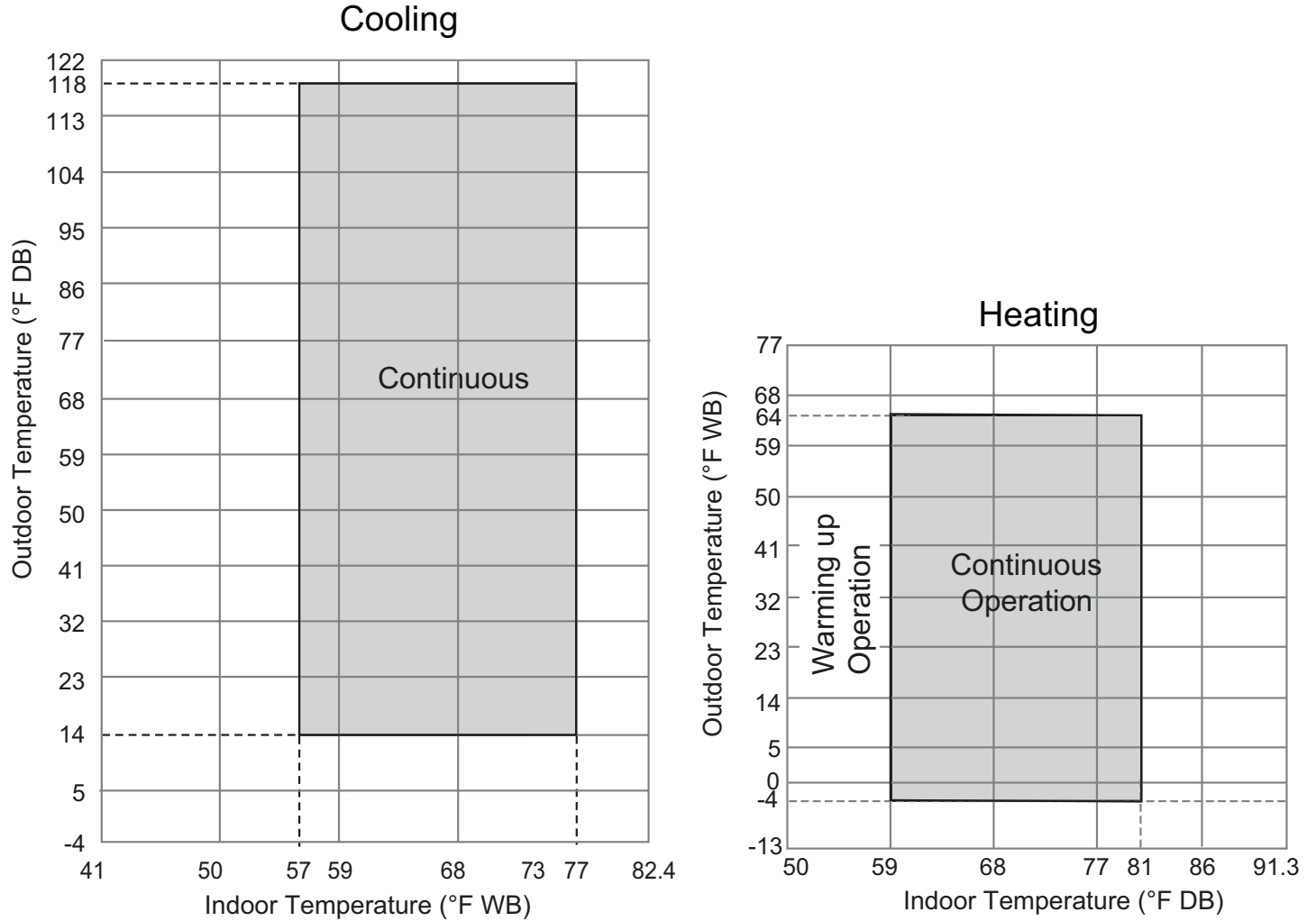


MULTI F MAX OUTDOOR UNIT

Operation Ranges

MULTI F
MULTI F MAX

Figure 25: LMU540HV Cooling and Heating Operation Ranges.



Note:

Cooling operation range can extend down to -4 °F outdoor temperature if Low Ambient Kit is installed (sold separately).

MULTI F MAX BD UNIT DATA

“Features and Benefits” on page 332

“Mechanical Specifications” on page 333

“General Data” on page 334

“Dimensions” on page 335

“Refrigerant Flow Diagram” on page 336

“Wiring Diagram” on page 337

“Y-Branch Accessory” on page 338

“Branch Distribution Unit Orientation” on page 339

MULTI F MAX BD UNIT

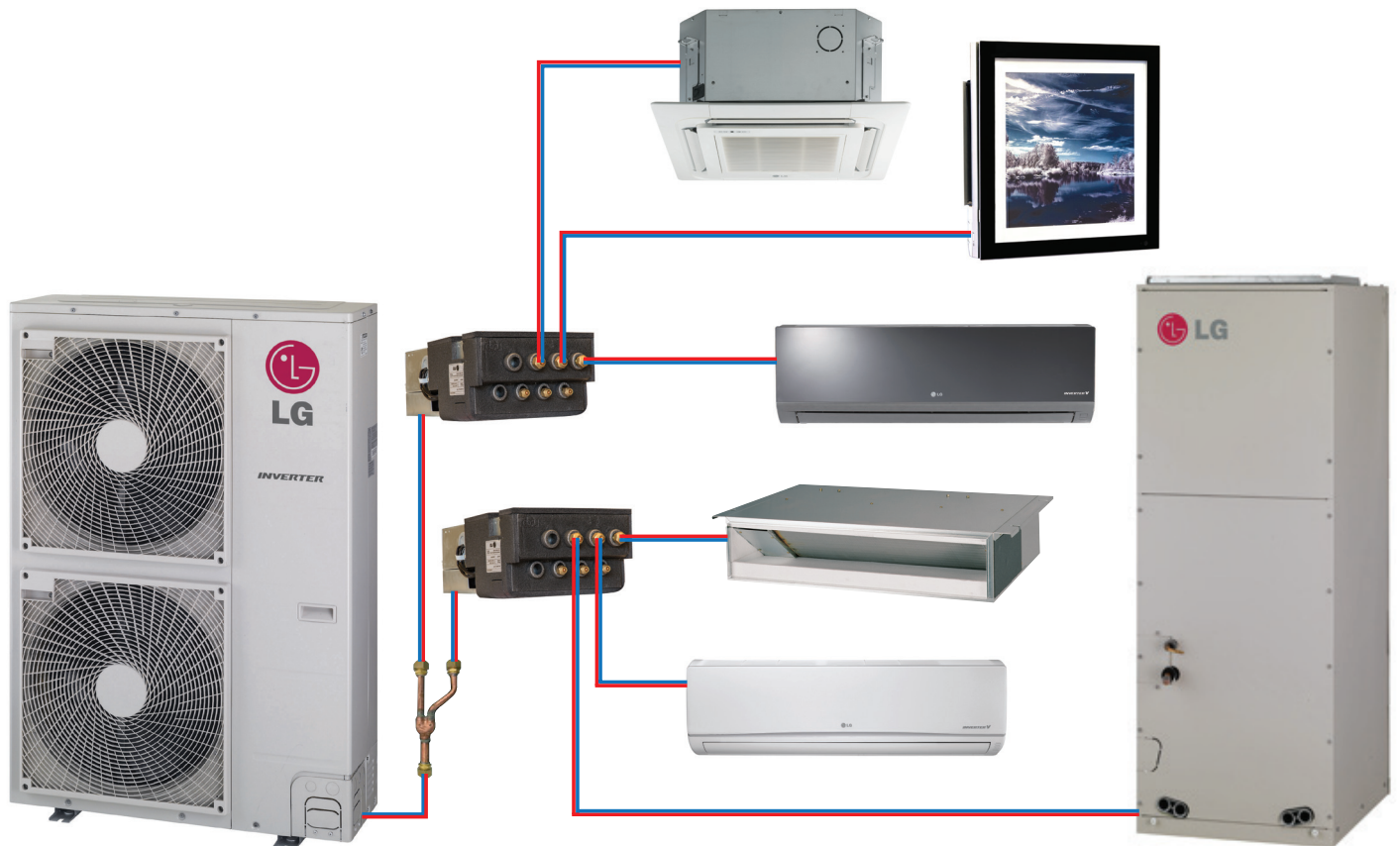
Features and Benefits

MULTI F
MULTI F MAX

The Branch Distribution (BD) unit is a required accessory of Multi F MAX inverter-driven heat pump systems. Choose from two (2) port, three (3) port, or four (4) port BD units.

Two (2) refrigerant pipes—one (1) liquid line and one (1) vapor line—run from the outdoor unit to the BD unit that is installed inside of a building. Two (2), three (3), or four (4) sets of refrigerant lines will run from the BD unit to the indoor units, depending on type of BD unit selected. A Multi F MAX system can include up to two BD units (installed with the use of the Y-branch accessory PMBL5620) that support a total of eight (8) indoor units (up to four [4] indoor units per BD unit).

Figure 26: Example of Multi F MAX Heat Pump Inverter System with two BD Units



Branch Distribution Unit

General

Branch distribution units are designed for use with LG Multi F MAX (LMU540HV) outdoor units, and are internally piped, wired, assembled and run-tested at the factory. The branch distribution unit is used as an intermediate refrigerant control device between the outdoor unit and the indoor units to effectively and efficiently control the heating or cooling operation of the system through the use of electronic expansion valves.

Refrigerant System

System is designed for use with R410A refrigerant. All refrigerant lines from the outdoor unit to the branch distribution unit, and from the branch distribution unit to the indoor units, must be field insulated. The units may be connected to optional field-supplied and field-installed isolation valves for servicing without evacuating the entire system.

Piping Capabilities

Maximum piping length from the branch distribution unit to the indoor unit is 49.2 equivalent feet. Maximum elevation difference between branch distribution unit and indoor unit is 32.8 feet. Maximum elevation difference between two parallel branch distribution units is 49.2 feet.

Electrical

Each branch distribution unit is designed to operate using 208–230/60/1 power with voltage variances of $\pm 10\%$.

Casing

The casing is designed to mount fully concealed above a finished ceiling, is manufactured of galvanized steel plate, and is internally insulated. Branch distribution units do not require a condensate drain.

Port Assembly

Branch distribution units have a two-pipe system consisting of one vapor pipe and one liquid pipe. Units are available in a choice of two (PMBD3620), three (PMBD3630) or four ports (PMBD3640 and PMBD3641); branch distribution units include two, two-positioned solenoid valves per port. Each port for PMBD3620, PMBD3630, and PMBD3640 units connect to one indoor unit for a maximum nominal capacity of 24,000 Btu/h. For PMBD3641 units, ports A, B, C each connect to one indoor unit for a maximum nominal capacity of 24,000 Btu/h; port D connect to one indoor unit for a nominal capacity of 36,000 Btu/h. Maximum nominal capacity per branch distribution unit is 73,000 Btu/h. Two branch distribution units can be piped in parallel using accessory Y-branch kit PMBL5620.

Controls

The unit is provided with factory-installed control boards and an integral microprocessor to communicate with the main control board in the outdoor unit. Communication between the branch distribution unit, the outdoor unit, and the indoor units is accomplished through a 18 AWG, four-core, stranded and shielded power / communication cable.

Figure 27: PMBD3620 Two-Port Branch Distribution Unit.

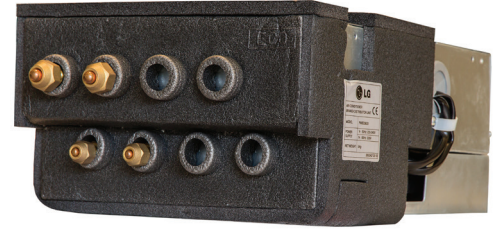


Figure 28: PMBD3630 Three-Port Branch Distribution Unit.



Figure 29: PMBD3640 and PMBD3641 Four-Port Branch Distribution Unit.



MULTI F MAX BD UNIT

General Data

MULTI F
MULTI F MAX

Table 316: Multi F MAX BD Unit General Data.

Model Number	PMBD3620	PMBD3630	PMBD3640	PMBD3641
No. of Connectable Indoor Units ¹	1-2	1-3	1-4	1-4
Max. Nominal Capacity / Port (Btu/h) ²	24,000	24,000	24,000	24,000 for A,B,C Ports; 36,000 for D Port
Max. Nominal Capacity / BD Unit (Btu/h)	48,000	72,000	73,000	73,000
Operation Temperature Range (°F DB)	0 ~ 122	0 ~ 122	0 ~ 122	0 ~ 122
Unit Data				
Refrigerant Type	R410A	R410A	R410A	R410A
Power Supply V, Ø, Hz	208-230, 1, 60	208-230, 1, 60	208-230, 1, 60	208-230, 1, 60
Power Input (W)	16	24	32	32
Rated Amps (A)	0.08	0.12	0.16	0.16
Dimensions W x H x D (in.)	17-3/32 x 6-13/32 x 10-23/32	17-3/32 x 6-13/32 x 10-23/32	17-3/32 x 6-13/32 x 10-23/32	17-3/32 x 6-13/32 x 10-23/32
Net Unit Weight (lbs.)	13	14.3	15.7	15.7
Shipping Weight (lbs.)	15	17	18	18
Power Wiring / Communication Cables³				
From Outdoor Unit to BD Unit (Qty. x AWG) ³	4 x 16	4 x 16	4 x 16	4 x 16
From BD Unit to Indoor Unit (Qty. x AWG) ³	4 x 18	4 x 18	4 x 18	4 x 18
Piping Connections				
Outdoor Unit to BD Unit	Liquid (in., OD)	Ø3/8	Ø3/8	Ø3/8
	Vapor (in., OD)	Ø3/4	Ø3/4	Ø3/4
BD Unit to Indoor Units	Liquid (in., OD) x Qty.	Ø1/4 x 2	Ø1/4 x 3	Ø1/4 x 3 Ø3/8 x 1
	Vapor (in., OD) x Qty.	Ø3/8 x 2	Ø3/8 x 3	Ø3/8 x 3 Ø5/8 x 1
Piping Lengths				
Maximum Total System Piping (ft.) ⁴	475.7	475.7	475.7	475.7
Maximum Main Pipe Length (Outdoor Unit to BD Units [ft.])	180.4	180.4	180.4	180.4
Total Branch Piping (BD Units to Indoor Units [ft.])	295.3	295.3	295.3	295.3
Maximum Branch Pipe Length Between BD Unit and Each Indoor Unit [ft.]	49.2	49.2	49.2	49.2
Maximum Outdoor Unit to Indoor Unit Pipe Length (ft.)	229.6	229.6	229.6	229.6
Piping Length (No Additional Refrigerant [ft.]; approx. 16 ft. of Main Piping + 131 ft. of Branch Piping)	147.6	147.6	147.6	147.6
Maximum Elevation between BD Unit and Indoor Unit (ft.)	32.8	32.8	32.8	32.8
Maximum Elevation between BD Unit and BD Unit (ft.)	49.2	49.2	49.2	49.2

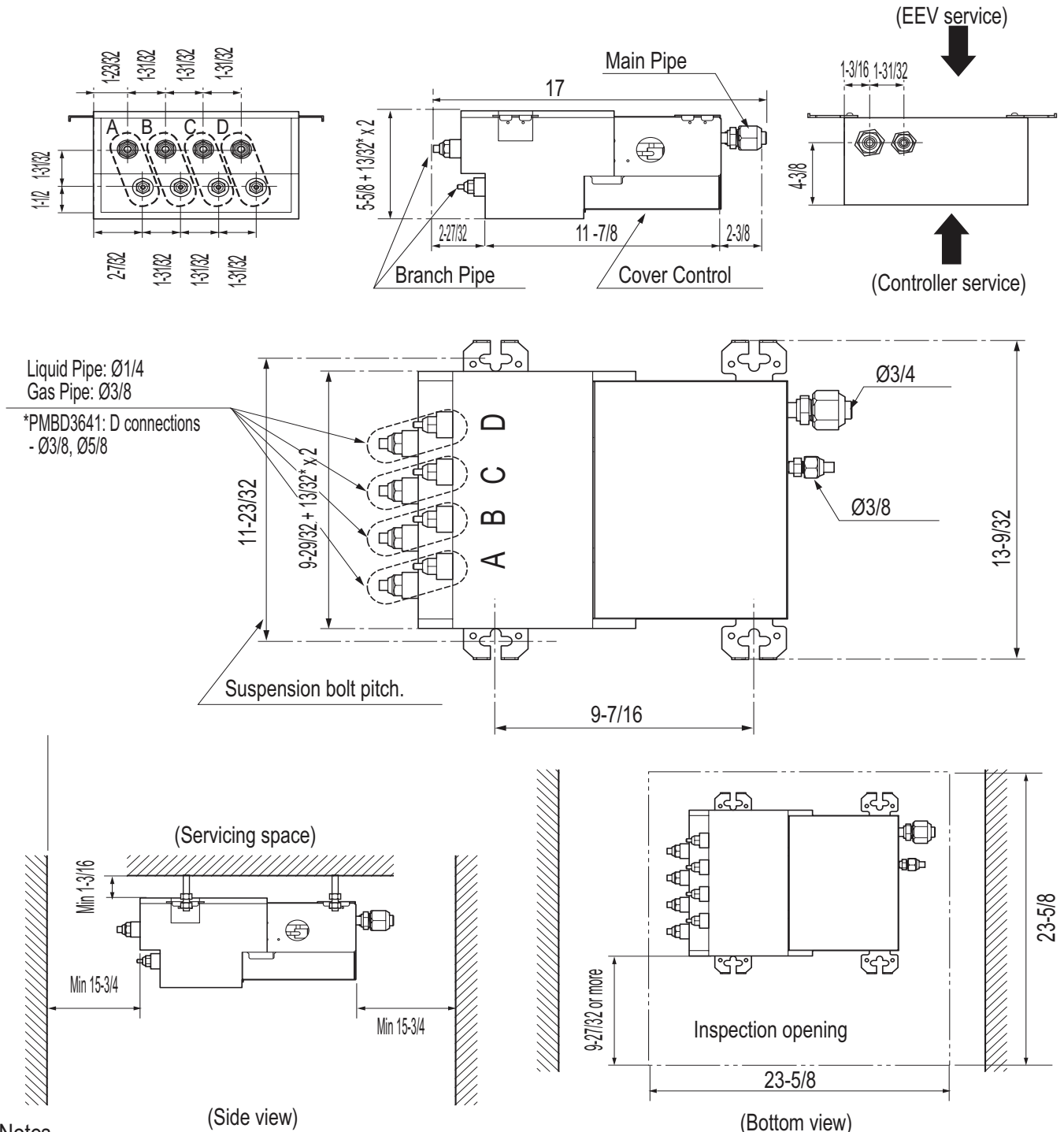
¹At least one Branch Distribution Unit is required for system operation; a maximum of two can be installed per outdoor unit with use of Y-branch accessory (PMBL5620) To connect only one (1) indoor unit to a branch distribution unit, the system must include another branch distribution unit with at least one (1) connected indoor unit.

²Branch Distribution Unit can accommodate from one (1) indoor unit up to four (4) indoor units depending on the ports available on the Branch Distribution Unit.

³All power wiring / communication cables to be four-conductor, stranded, shielded, and must comply with applicable local and national codes.

⁴Piping lengths are equivalent.

Figure 30: PMBD3620, PMBD3630, PMBD3640, and PMBD3641 External Dimensions.



Branch Distribution (BD) Unit Data

Notes

1. PMBD3620 unit supplied with "A, B"
2. PMBD3630 unit supplied with "A, B, C"
3. PMBD3640, PMBD3641 unit supplied with "A, B, C, D"
4. * Thickness of insulation

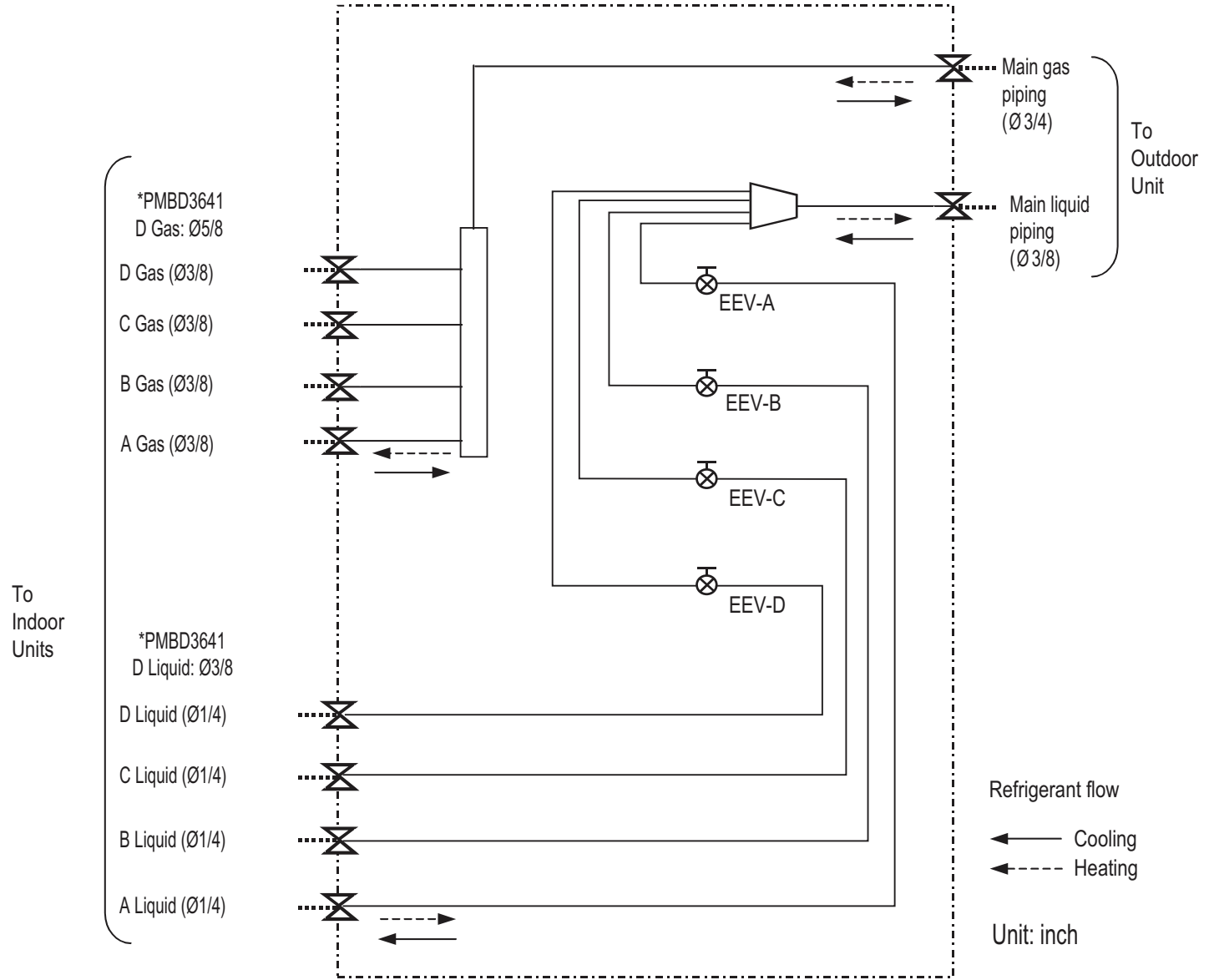
Unit: inch

MULTI F MAX BD UNIT

Refrigerant Flow Diagram

MULTI F
MULTI F MAX

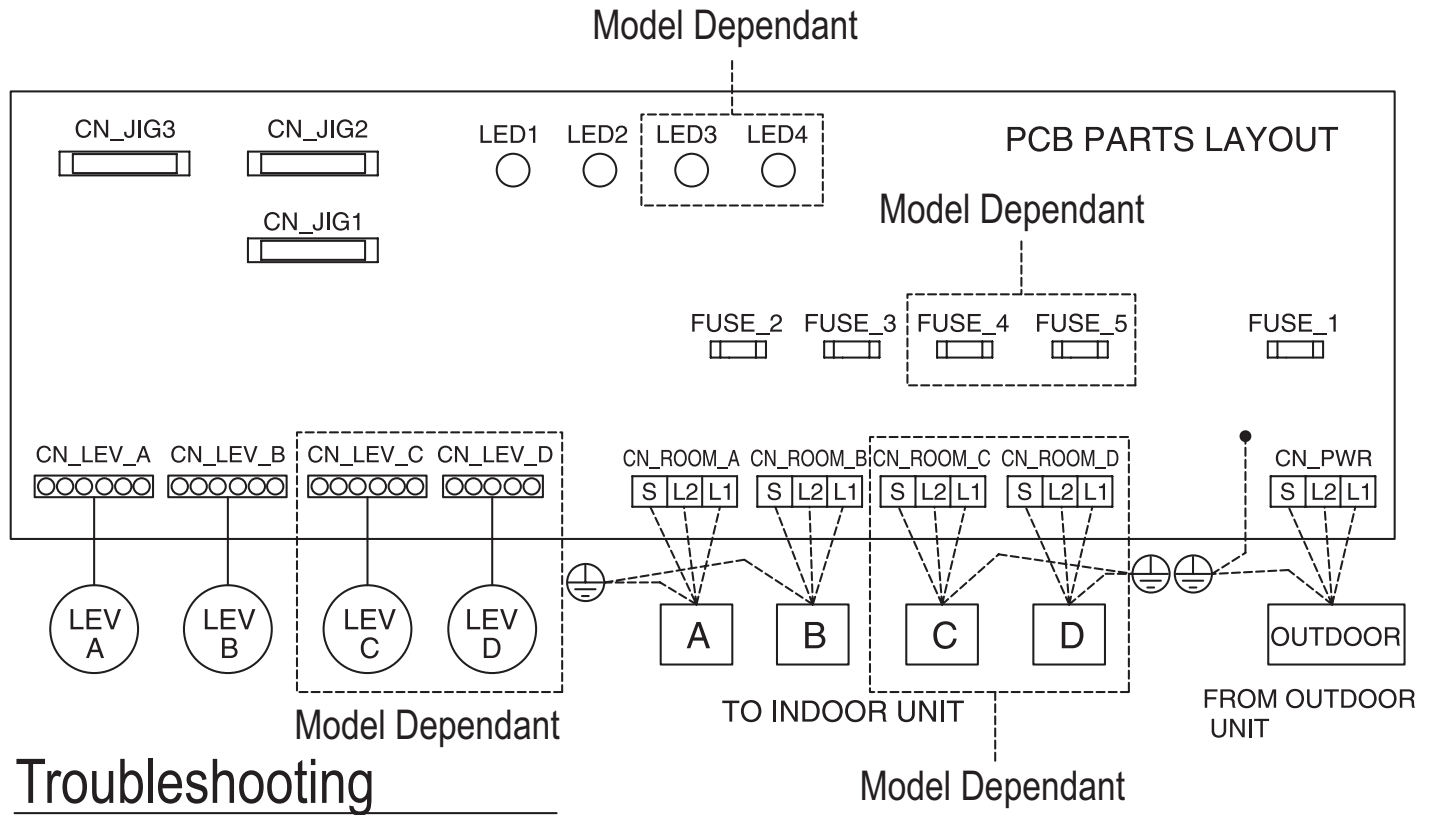
Figure 31: PMBD3620, PMBD3630, PMBD3640, PMBD3641 Refrigerant Flow Diagram.



Note:

1. Flare connections for field piping installation.
2. Match the BD ports to the indoor unit and outdoor unit piping sizes. Use an adapter if the piping size does not match the piping size of the connecting indoor unit.
3. EEV: Electronic Expansion Valve
4. PMBD3620 BD Unit supplied with "A, B".
PMBD3630 BD Unit supplied with "A, B, C".
PMBD3640 and PMBD3641 BD Units supplied with "A, B, C, D".

Figure 32: PMBD3620, PMBD3630, PMBD3640, PMBD3641 Wiring Diagram.



Troubleshooting

LED	DIAGNOSIS
	NORMAL
	ABNORMALITY -->CHECK BRANCH DISTRIBUTOR UNIT
	ABNORMALITY -->CHECK INDOOR OR OUTDOOR UNIT CHECK CONNECTING CABLE

Note:

PMBD3620 BD Unit supplied with "A, B".
 PMBD3630 BD Unit supplied with "A, B, C".
 PMBD3640 and PMBD3641 BD Units supplied with "A, B, C, D".

MULTI F MAX BD UNIT

Multi F MAX Y-Branch Accessory

MULTI F
MULTI F MAX

Y-Branch accessory PMBL5620 is required when installing two branch distribution units in parallel on one Multi F MAX system.

Table 317: Multi F MAX Y-Branch Specifications.

Model	Y-Branch Type	Port Identifier (inch)		
		1	2	3
PMBL5620	Liquid	Ø3/8	Ø3/8	Ø3/8
	Vapor	Ø3/4	Ø3/4	Ø3/4
	Y-Branch Type	Dimensions (inch)		
		X	Y	
	Liquid	13.80	3.24	
Vapor	12.48	3.02		

Figure 33: Y-Branch Port Identifier Diagram.

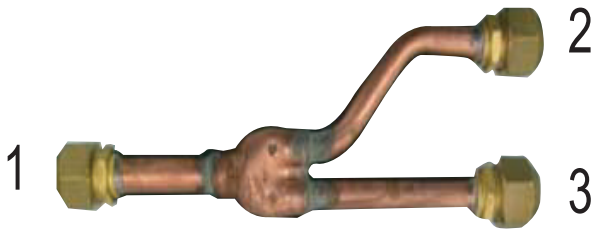
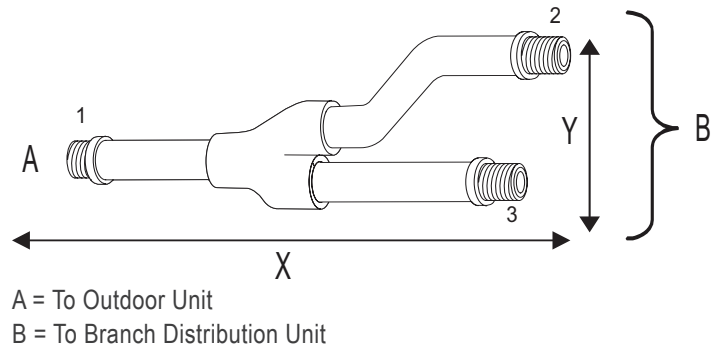


Figure 34: Y-Branch Dimensions Diagram.



Multi F MAX Branch Distribution (BD) Units can be installed in a multitude of options to fit various building configurations and job or application requirements. Multi F MAX BD Units include electronic expansion valves that properly seat only if the BD Unit is installed in an acceptable orientation. Installations with improper BD Unit orientation risk incomplete valve seating and system performance degradation from potential refrigerant leakage through the electronic expansion valve.

Note:

This material is for informational or educational purposes only. It is not intended to be a substitute for professional advice. Consult with your engineer or design professionals for specific applications to your system

Figure 35: Acceptable BD Unit Ceiling Mount Orientations.

Ceiling Mounting Options

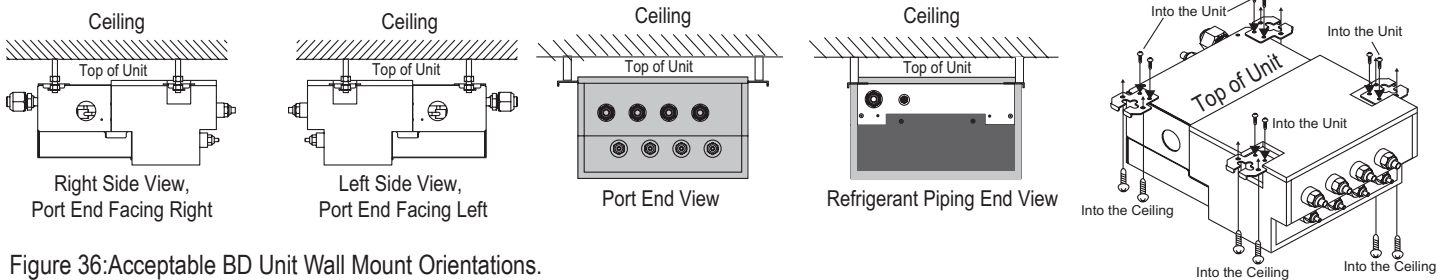


Figure 36: Acceptable BD Unit Wall Mount Orientations.

Wall Mounting Options

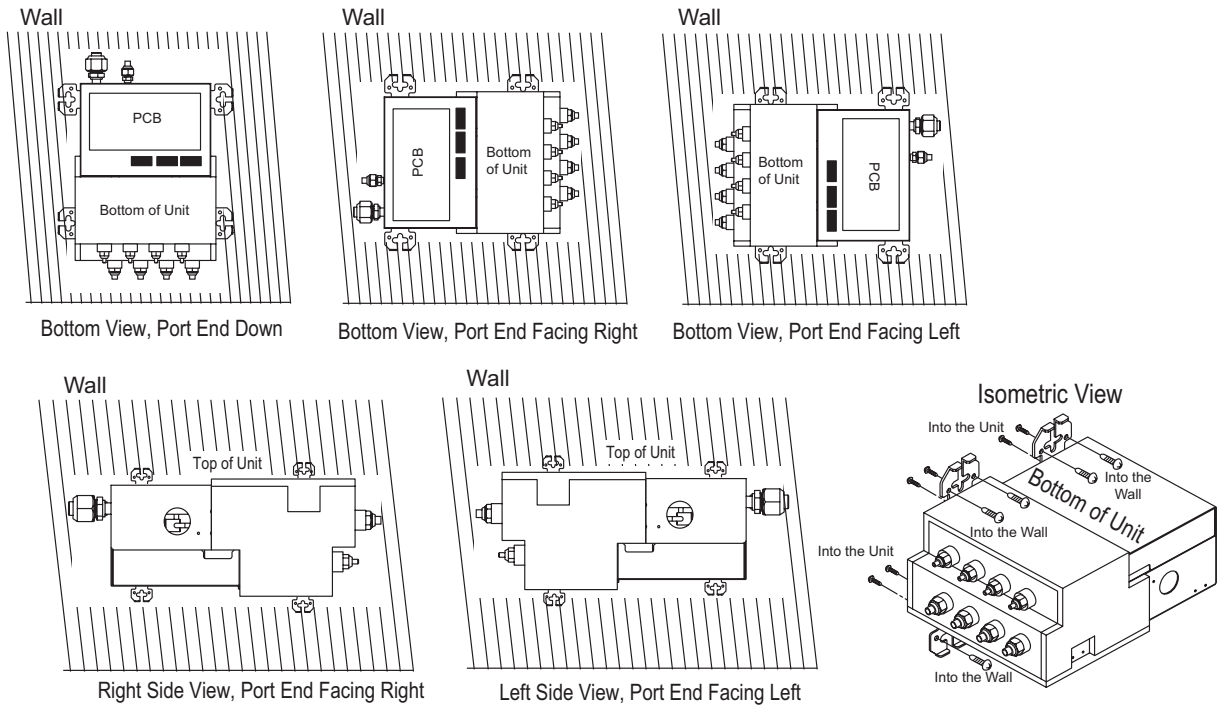
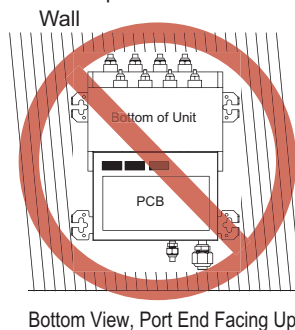


Figure 37: Unacceptable BD Unit Orientation.



APPLICATION GUIDELINES

“Equipment Selection Procedure” on page 342

“Building Ventilation Design Guide” on page 348

“Placement Considerations” on page 353

To choose the multi-zone system that is the most appropriate for the space, as with traditional air-conditioning systems, follow similar protocols outlined in Manual J from the Air Conditioning Contractors of America (ACCA; see www.acca.org).

1. Obtain the design conditions, and calculate the maximum cool and heat loads for the structure.
2. Select the equipment (choosing the appropriate indoor units and outdoor unit):
 - Determine number of zones.
 - Determine total number of indoor units (refer to zone load calculations when choosing indoor units).
 - Determine number of indoor units allocated to each outdoor unit, considering allowable indoor unit connections, both indoor unit and outdoor unit capacities, and system piping capabilities.
3. Determine the corrected capacity for the indoor units and outdoor unit using LATS Multi F software (preferred method) or:
 - System Combination Tables.
 - Capacity Tables (it may be necessary to interpolate).
 - Capacity Coefficient Factors (such as refrigerant line length derates, design condition derates, defrost operation derate [heating mode], altitude derate [if applicable]).
4. Compare corrected capacities to load calculations.
5. Reselect equipment if necessary.

Obtain Design Conditions, Calculate Maximum Cool / Heat Loads

Obtain the winter outdoor/indoor temperature and summer and winter outdoor / indoor temperature design parameters for the location in which the system is installed. Determine if summer or winter design gains, relative humidity, and building features like skylights, orientation, number of occupants, etc., would change the total heat loss / gain and sensible / latent heat gain, and then calculate the maximum cool and heat loads for the space (using Manual J or energy modeling programs).

Select the Equipment

Determine the Number of Zones

Multi F heat pump systems can cool or heat, but not simultaneously. When designing larger-capacity Multi F heat pump systems or a Multi F MAX system, the designer may be able to combine spaces with similar load profiles located near or adjacent to each other into “thermal zones.” After combining like spaces into zones that will be served by a single (or grouped) indoor unit(s), calculate the peak cooling and heating loads for each zone.

Choosing the Appropriate Indoor Units

Determine the appropriate indoor unit capacity that satisfies the given zone load calculations, choose how many (and which styles of) indoor units will be required. See Table 96 for allowable indoor unit to outdoor unit connections, and the maximum number of connectable indoor units on each Multi F and Multi F MAX outdoor unit. When choosing, also consider the cooling and heating CFM, featured airflow specifications, and static pressure (if applicable) for each indoor unit.

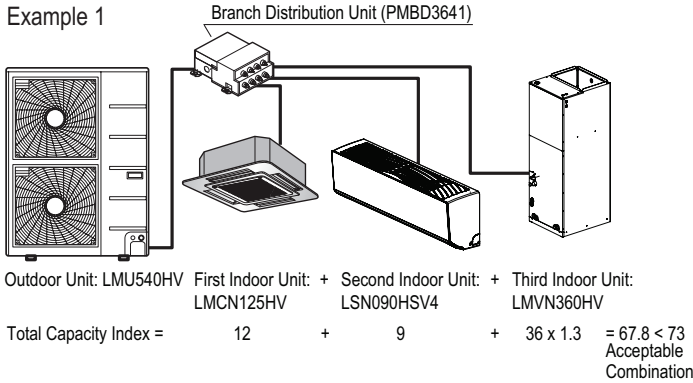
Avoid oversizing indoor units in an attempt to increase the air exchange rate in the space. Multi F and Multi F MAX systems are designed for minimum airflow over the coil to maximize latent capacity while cooling, maintain a comfortable, consistent discharge air temperature while heating, and minimize fan motor power consumption. In extreme cases, oversizing the indoor units may affect outdoor unit size selection and compromise the outdoor unit’s ability to effectively match the space load(s).

For proper system operation:

1. At least two indoor units must be connected to the outdoor unit.
2. Total connected indoor unit nominal capacity should be a minimum 40% and a maximum of 133% of outdoor unit nominal capacity.
3. To calculate the connected total indoor unit nominal capacity, simply sum up the nominal capacities of all indoor units.
 - For 24,000 and 36,000 Btu/h high static duct and vertical-horizontal air handling indoor units, a 1.3 multiplier must first be applied before adding to the sum of other smaller indoor units.
 - When two 24,000 Btu/h or one 24,000 Btu/h and one 36,000 Btu/h high static duct and / or vertical-horizontal air handling indoor units are the only connected indoor units, the multiplier is 1.2.

Multiplier Examples

Example 1



Example 2

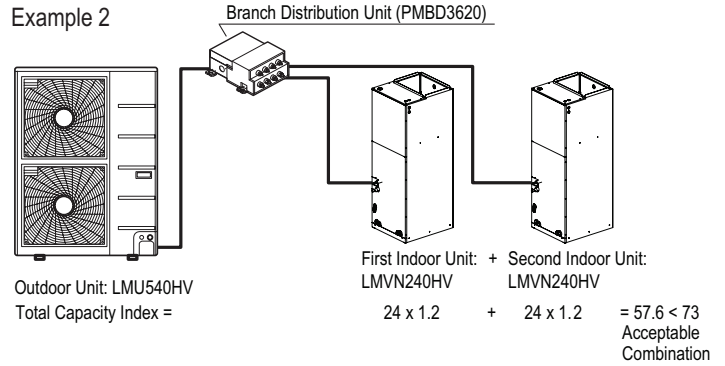


Table 318: Allowable Indoor Unit to Outdoor Unit Connections.

Indoor units		Outdoor units			
Model Type	Indoor Unit Nominal Capacity (Btu/h)	LMU18CHV	LMU24CHV	LMU36CHV	LMU540HV
		Maximum No. of Connectable Indoor Units			
		2	3	4	8
ART COOL Mirror	9,000	0	0	0	0
	12,000	0	0	0	0
	18,000	-	0	0	0
ART COOL Gallery	9,000	0	0	0	0
	12,000	0	0	0	0
	18,000	0	0	0	0
Wall Mounted	7,000	0	0	0	0
	9,000	0	0	0	0
	12,000	0	0	0	0
	15,000	0	0	0	0
	18,000	-	0	0	0
Ceiling Concealed Duct-Low Static	24,000	-	0	0	0
	9,000	0	0	0	0
	12,000	0	0	0	0
	18,000	-	0	0	0
Ceiling Concealed Duct-High Static	24,000	-	-	0	0
	36,000	-	-	-	0
	7,000	0	0	0	0
Four-Way Ceiling Cassette	9,000	0	0	0	0
	12,000	0	0	0	0
	18,000	-	0	0	0
	24,000	-	-	0	0
Vertical-Horizontal Air Handler	24,000	-	-	-	0
	36,000	-	-	-	0

Choosing the Appropriate Outdoor Unit

After all indoor units are properly sized to offset the applicable loads in each zone, select the outdoor unit by choosing a size that meets both the load-cooling requirement, and offsets the sum of the heating load. Then, the system's combination ratio should be evaluated and confirmed it is within the allowable range (the combination ratio compares the nominal capacity of all connected indoor units to the nominal capacity of the outdoor unit serving them). The total nominal capacity of all indoor units should be smaller than the total nominal capacity of the outdoor unit. If the combination ratio is more than 100%, the designer is undersizing the outdoor unit relative to the combined nominal capacity of the connected indoor units. In some designs, oversized indoor units may be unavoidable in the case where the smallest size indoor unit available from LG is larger than what is necessary to satisfy the zone load. This scenario may also occur when an indoor unit selection one size down from the selected unit is slightly short of fulfilling the design load requirements, and the designer must choose the next largest size unit. Sometimes it is recommended to choose a larger capacity outdoor unit if the installation space is big enough. Also, it may be prudent to oversize the outdoor unit to address those times when the weather conditions may exceed the design conditions, to minimize the possibility of ventilation systems that causes the space temperature to drift outside design parameters, or when the indoor unit's entering air temperature falls outside the approved design temperature range.

Table 319: Rated Outdoor Unit Capacity.

		Outdoor Units			
		LMU18CHV	LMU24CHV	LMU36CHV	LMU540HV
Rated Capacity (Btu/h)	Cooling	17,000	20,000	32,000	52,500
	Heating	22,000	24,000	36,000	58,000
Connectable Indoor Units	Minimum No. of Connectable Indoor Units	2	2	2	2
	Maximum No. of Connectable Indoor Units	2	3	4	8
	Maximum Capacity Index	24,000	33,000	48,000	73,000

Determine the Corrected Capacity

The *corrected* cooling / heating capacity is different from the rated cooling / heating capacity. The corrected capacity includes changes in unit performance after considering design temperatures, available capacity that can be allocated from the outdoor unit, pressure drop due to refrigerant line length, defrost operation in heating mode, and (if applicable) altitude. Depending on the location of the building, additional capacity correction factors may need to be applied.

Using the Outdoor Unit Cooling and Heating Capacity Tables

Rated cooling capacity ratings are obtained with air entering the indoor unit at 80°F dry bulb (DB) and 67°F wet bulb (WB), and outdoor ambient conditions of 95°F dry bulb (DB) and 75°F wet bulb (WB). Rated heating capacity ratings are obtained with air entering the indoor unit at 70°F dry bulb (DB) and 60°F wet bulb (WB) and outdoor ambient conditions of 47°F dry bulb (DB) and 43°F wet bulb (WB).

To evaluate the total outdoor unit capacity at design conditions, using LATS Multi F software (preferred method) or reference the Performance Data Capacity Tables found in the Multi F outdoor unit section in this manual. All design temperatures are not explicitly shown in the charts, therefore, interpolation may be necessary to calculate the capacity for specific design conditions. Based on the premise that capacity follows a linear curve, the following formula can be applied:

$$(y - y_1) / (y_2 - y_1) = (x - x_1) / (x_2 - x_1)$$

Where

- y = Missing Capacity (Capacity at the Design Temperature).¹
- y₁ = Capacity at Lower Temperature (Smaller value of the two nearest published TC datapoints).
- y₂ = Capacity at Higher Temperature (Higher value of the two nearest published TC datapoints).
- x = Design Temperature (Temperature not shown in published capacity tables).²
- x₁ = (Smaller value of the two nearest published temperature datapoints).
- x₂ = (Larger value of the two nearest published temperature datapoints).

¹Median between two published Total Capacity [TC] Btu/h datapoints in the capacity table.

²Median between two nearest published temperature datapoints.

Using the Indoor Unit Cooling and Heating Capacity Tables

The datapoints shown in the indoor unit cooling and heating capacity charts are based on (and convey) an indoor unit operating with maximum possible refrigerant flow from the outdoor unit and before any derates are applied. In other words, the capacities displayed reflect what the indoor unit would produce if it was the only indoor unit that required capacity, and the outdoor unit did not have to allocate any capacity to another indoor unit.

System operation with a combination of indoor units is not conveyed in these charts, however, the information can be used to calculate indoor unit allocated capacity (without using the system combination tables). Simply calculate by using the formula:

$$Q_{idu}(\text{combi}) = Q_{odu}(\text{rated}) \times \frac{Q_{idu}(\text{rated})}{\Sigma Q_{idu}(\text{rated})}$$

Where

Q_{idu}(combi) = Individual Indoor Unit Combination Capacity.

Q_{odu}(rated) = Outdoor Unit Rated Capacity.

Q_{idu}(rated) = Individual Indoor Unit Rated Capacity.

ΣQ_{idu}(rated) = Total Connected Indoor Unit Rated Capacity.

Note:

- The formula can be used to find individual indoor unit capacity for Multi F MAX systems.
- A more accurate method to determine expected capacity would be to apply the outdoor unit's corrected capacity instead of rated capacity.

Using the System Combination Tables

Multi F system combination tables illustrate how each indoor unit receives a percentage of total outdoor unit rated capacity. Allocation is based on:

- Combinations of Non-Ducted Indoor Units
- Combinations of Ducted Indoor Units
- Combinations of Mixed Non-Ducted and Ducted Indoor Units

Multi F MAX system combination tables only show the total connected indoor unit capacity, but individual indoor unit capacity can be calculated using the formula:

$$Q_{idu}(combi) = \frac{Q_{odu}(rated) \times Q_{idu}(rated)}{\sum Q_{idu}(rated)}$$

Note:

A more accurate method to determine expected capacity would be to apply the outdoor unit's corrected capacity instead of rated capacity.

Capacity Coefficient Factors

Refrigerant Line Length Derates

For air-cooled systems, a capacity correction factor may have to be applied to account for the length of the system's refrigerant pipe. Rate of change in capacity due to increased piping lengths is shown in Tables 320 to 322.

Table 320: Multi F Outdoor Unit (Multiple Piping) to Indoor Unit Refrigerant Line Length Derates.

Piping Length (feet)	Cooling Capacity (%)	Heating Capacity (%)
7,000 Btu/h Indoor Unit Models		
25.0	100.0	100.0
32.8	98.4	99.2
49.2	95.8	97.8
65.6	93.2	96.4
82.0	90.6	95.0
9,000 Btu/h Indoor Unit Models		
25.0	100.0	100.0
32.8	98.0	99.0
49.2	94.8	97.4
65.6	91.6	95.8
82.0	88.4	94.2
12,000 Btu/h Indoor Unit Models		
25.0	100.0	100.0
32.8	97.6	98.6
49.2	93.8	96.4
65.6	89.9	94.1
82.0	86.1	91.9
15,000 Btu/h Indoor Unit Models		
25.0	100.0	100.0
32.8	97.2	98.2
49.2	93.0	95.4
65.6	88.8	92.6
82.0	84.6	89.8
18,000 Btu/h Indoor Unit Models		
25.0	100.0	100.0
32.8	98.6	99.6
49.2	96.4	99.0
65.6	94.1	98.3
82.0	91.9	97.7
24,000 Btu/h Indoor Unit Models		
25.0	100.0	100.0
32.8	98.2	99.2
49.2	95.4	98.0
65.6	92.4	96.6
82.0	89.6	95.4

Table 321: Multi F MAX Outdoor Unit to Branch Distribution Unit Refrigerant Line Length Derates.

Main Piping Length (feet)	16.4	32.8	49.2	65.6	82.0	98.4	114.8	131.2	147.6	164.0	180.4
Cooling Capacity (%)	100.0	98.8	97.3	95.8	94.3	92.8	91.3	89.8	88.3	86.8	85.3
Heating Capacity (%)	100.0	99.6	99.2	98.7	98.3	97.8	97.4	96.9	96.5	96.0	95.6

Figure 38: Multi F MAX Outdoor Unit to Branch Distribution Unit Refrigerant Line Length Derate Chart.

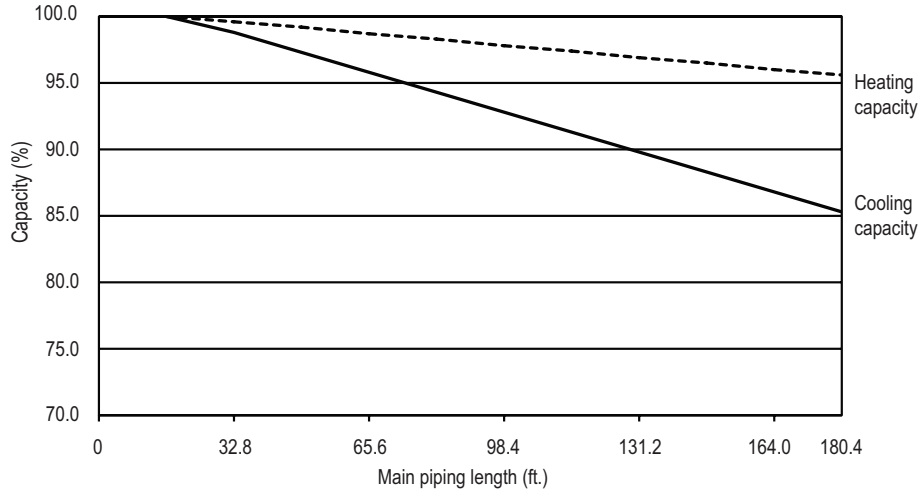


Table 322: Multi F MAX Branch Distribution Unit to Indoor Unit Refrigerant Line Length Derates.

Piping Length (feet)	Cooling Capacity (%)	Heating Capacity (%)
7,000 Btu/h Indoor Unit Models		
16.4	100.0	100.0
32.8	98.0	99.5
49.2	96.0	98.9
9,000 Btu/h Indoor Unit Models		
16.4	100.0	100.0
32.8	97.5	98.8
49.2	95.0	97.5
12,000 Btu/h Indoor Unit Models		
16.4	100.0	100.0
32.8	97.0	98.3
49.2	94.0	96.5
15,000 Btu/h Indoor Unit Models		
16.4	100.0	100.0
32.8	97.2	98.2
49.2	93.0	95.4
18,000 Btu/h Indoor Unit Models		
16.4	100.0	100.0
32.8	98.3	99.5
49.2	96.5	99.0
24,000 Btu/h Indoor Unit Models		
16.4	100.0	100.0
32.8	97.8	99.2
49.2	95.5	98.4
36,000 Btu/h Indoor Unit Models		
16.4	100.0	100.0
32.8	97.9	98.8
49.2	95.7	97.6

Multi F and Multi F MAX Indoor Unit Engineering Manual

Altitude Correction Factor

The impact of air density must be considered on systems installed at a significant altitude above sea level, therefore, locally accepted altitude correction factors must be applied.

Defrost Correction Factor for Heating Operation

The outdoor unit heating capacity may need to be adjusted for frost accumulation on air-cooled systems. If design day conditions are below the dewpoint of the surrounding air, frost may not be a problem and no correction factor is needed. In certain weather conditions, however, frost may form and accumulate on the air-cooled outdoor unit coil and impact the coils ability to transfer heat. If significant frost accumulates on the outdoor unit coil, a defrost algorithm will start automatically. The timing between defrost periods is determined by the system's ability to achieve a target head pressure value.

Capacity and AHRI ratings tables do not factor in capacity reduction when frost has accumulated on the condenser coil, nor during defrost operation.

Integrated heating capacity values can be obtained using the formula:

$$A = B \times C$$

Where:

A = Integrated Heating Capacity.

B = Value found in the Capacity Table.

C = Correction Factor for Frost Accumulation Factor (from Table 101).

Table 323: Outdoor Unit Frost Accumulation Factor (Heating)¹.

Entering DB (°F)	19.4	23.0	26.6	32.0	37.4	41.0	44.6
Derate factor	0.98	0.95	0.93	0.86	0.93	0.96	1.0

¹At 85% outdoor air relative humidity.

The frost accumulation factor does not account for effects of snow accumulation restricting airflow through the outdoor unit coil.

Note:

There will be temporary reduction in capacity when frost / ice accumulates on the outside surface of the outdoor unit heat exchanger. The level of capacity reduction depends on a number of factors, for example, outdoor temperature (°F DB), relative humidity (RH), and the amount of frost present.

Check the Indoor and Outdoor Unit Selection(s)

Compare the corrected cooling and heating capacities to the load calculations. Is each capacity sufficient for the zone it serves?

For each indoor unit, the corrected capacity must be at least equal to the total of the cooling design load (plus ventilation load, if applicable) for the space(s) served by the indoor unit. For each indoor unit, the corrected capacity also must be at least equal to the total of the heating design load (plus ventilation load, if applicable) for the space(s) and / or thermal zones served by the indoor unit.

The outdoor unit selected should be large enough to offset the total cooling load for all spaces it serves (account for ventilation air cooling load if the ventilation air has not been pretreated to room neutral conditions). The outdoor unit should also be large enough to offset the total heating load for all spaces it serves.

If the corrected heating capacity ratio exceeds 100%, reselect the equipment, or change the system design by moving some of the load to another system.

System Sizing Check Formulas

1. Outdoor Unit Rated Capacity.

$Q_{odu(rated)}$ (From capacity tables).

2. Outdoor Unit Capacity at T_i , T_o Temperature.

$Q_{odu(T_i, T_o)}$ (From capacity tables).

3. Outdoor Unit Capacity Coefficient Factor.

$$F_{(T_i, T_o)} = Q_{odu(T_i, T_o)} / Q_{odu(rated)}$$

4. Piping Correction Factor (From Capacity Coefficient Factor Tables).

$F_{(length)}$ for each piping length

5. Individual Indoor Unit Combination Capacity.

$$Q_{idu(combi)} = Q_{odu(rated)} \times Q_{idu(rated)} / Q_{idu(rated-total)}$$

6. Individual Indoor Unit Actual Capacity.

$$Q_{idu(actual)} = Q_{odu(combi)} \times F_{(T_i, T_o)} \times F_{(length, altitude)}$$

Conclusions and Recommendations

- Understand the design safety factors.
- Reference load calculations for actual cooling and heating capacities (applies in 99% of applications – consider total load when latent load is greater than 30%).
- Verify that the sensible load of the zone is satisfied.

- Use caution when sizing to meet listed capacity specifications for the scheduled manufacturer's equipment.
- If further system design assistance is needed, or you have a unique application you would like to discuss, contact your LG sales rep.

ASHRAE Standards 62.1 and 62.2 (depending on if the building is residential or commercial), and local codes specify the minimum volume of airflow that must be provided to an occupied space. Outdoor air is required to minimize adverse health effects, and it provides acceptable indoor air quality for building occupants. Indoor units located within the zone typically require less airflow to condition the space. During the design phase, refer to the airflow capabilities listed in the specification tables for each product. Choose the best method for the application out of the five (5) ventilation options available.

Note:

Disclaimer

Although we believe that these building ventilation methods have been portrayed accurately, none of the methods have been tested, verified, or evaluated by LG Electronics, U.S.A., Inc., In all cases, the designer, installer, and contractor should understand if the suggested method is used, it is used at their own risk. LG Electronics U.S.A., Inc., takes no responsibility and offers no warranty, expressed or implied, of merchantability or fitness of purpose if this method fails to perform as stated or intended.

• For a complete copy of ASHRAE Standard 62.1 and 62.2, refer to the American Standard of Heating and Air Conditioning Engineers (ASHRAE) website at www.ashrae.org.

Method 1: Natural Ventilation (Non-Ducted, Unconditioned Outdoor Air)

Natural ventilation devices, such as operable windows or louvers may be used to ventilate the building when local code permits.

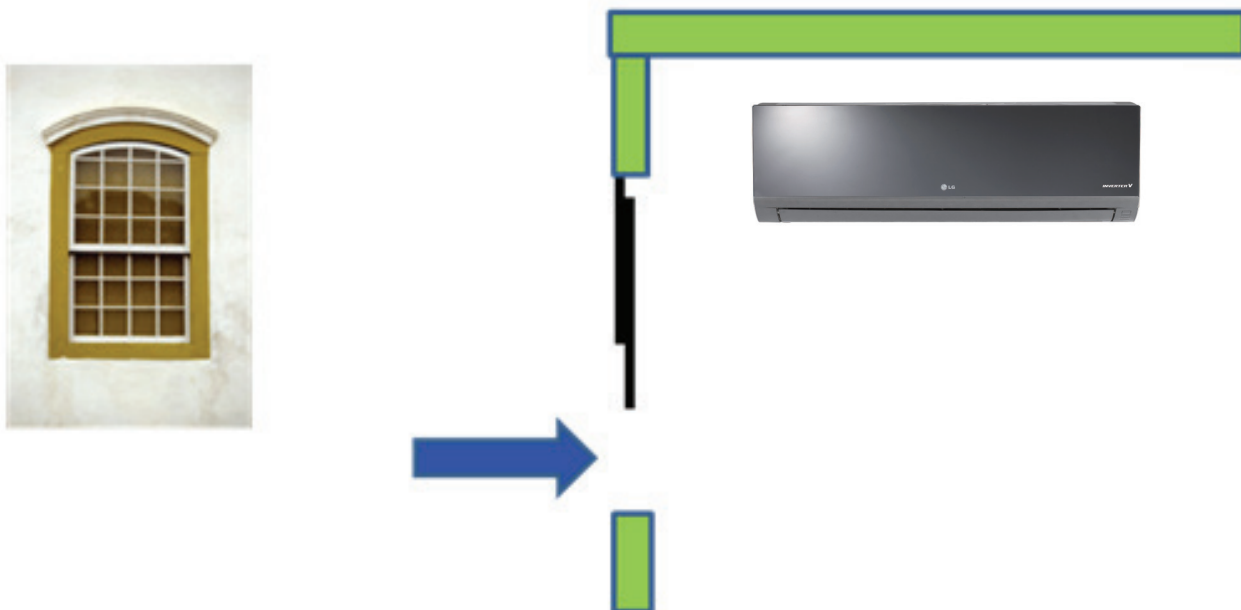
Advantages

- Occupants control the volume of the ventilation air manually.
- Useful for historic buildings that have no ceiling space available for outdoor air ductwork.
- May be used with the full lineup of Multi F indoor units.

Disadvantages

- In some locations, it may be difficult to control humidity levels when windows are open.
- Thermal comfort levels may be substandard when windows are open.
- Indoor units may have to be oversized to account for the added heating and cooling loads when windows are open.
- Provides outdoor air to perimeter spaces only. Additional mechanical ventilation system may be required to satisfy requirements for interior spaces.
- Outdoor air loads may be difficult to calculate since the quantity of outdoor air is not regulated.
- May affect indoor unit proper operation when open.

Figure 39: Natural Ventilation (Non-Ducted, Unconditioned Outdoor Air).



Method 2: Unconditioned Outdoor Air (Non-Ducted, Fan Assisted Ventilation)

When approved by local codes, the fan assisted ventilation method uses exhaust fans to remove air from the building, and outdoor air is drawn into occupied spaces through a wall louver or gravity roof intake hood. Supply fans can also be used to push the outdoor air into the space and building positive pressure will vent the exhaust air through louvers or roof-mounted exhaust hoods. Outdoor air is neither cooled nor heated before entering the building.

Note:

This may result in loss of building pressurization control, increasing infiltration loads with adverse effects.

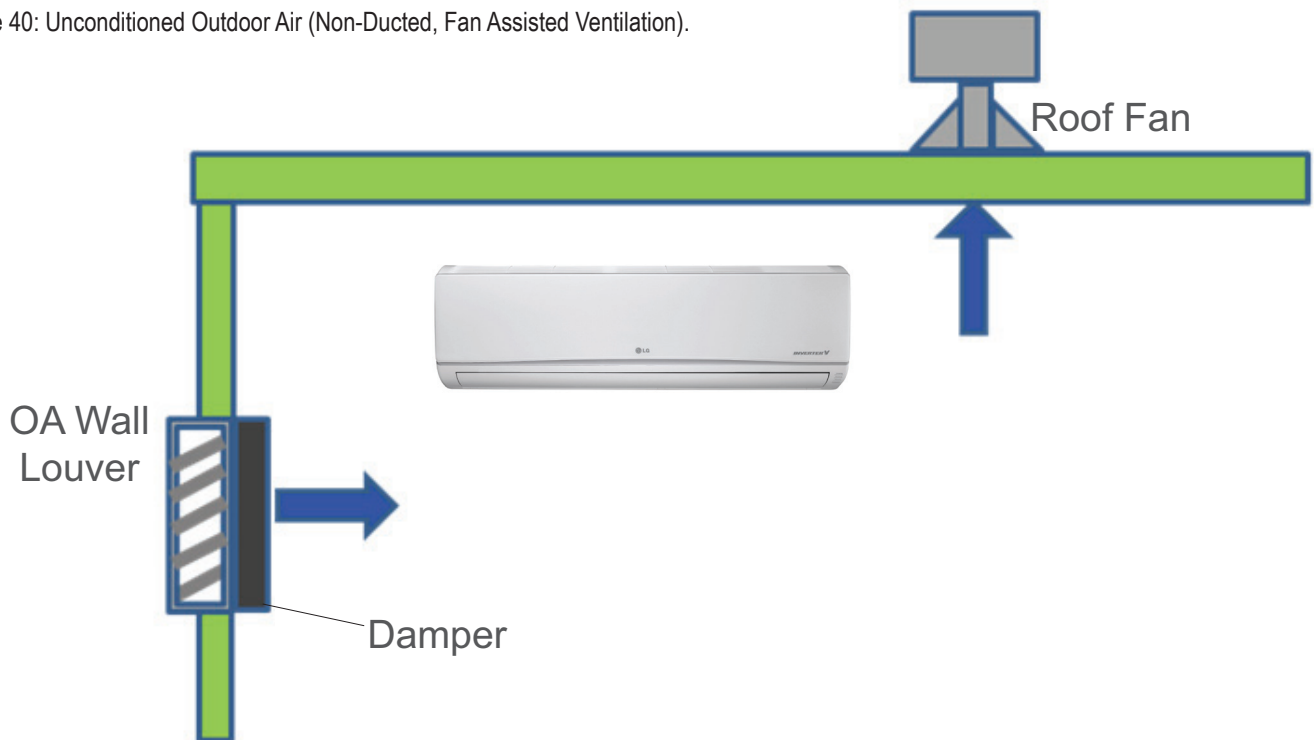
Advantages

- Outdoor air may be manually controlled by the occupant or automatic controls may be installed to open/close outdoor air dampers or to turn on/off ventilation fans.
- Useful for large open spaces like warehouses, garages, and workshops.
- Outdoor air volume is a known quantity. Air loads may be easier to calculate since fans will regulate the amount of outdoor air.
- May be used with the full lineup of Multi F indoor units.

Disadvantages

- In some locations of the country, it may be difficult to control humidity levels.
- Indoor units may have to be oversized to account for the added heating/cooling loads when louvers/hoods are open.
- Hot, cold, and/or humid areas may be present if the outdoor air is not evenly distributed to the different spaces.

Figure 40: Unconditioned Outdoor Air (Non-Ducted, Fan Assisted Ventilation).



Method 3: Unconditioned Outdoor Air Ducted to Indoor Units

Untreated outdoor air is channeled through a duct system that is piped to the return air duct on Multi F ducted indoor units or to the frame of Multi F four-way cassettes.

Note:

Outside air may flow backward through the return air-filter grille when the indoor unit fan speed slows or stops in response to changes in the space load. This may result in captured particulate on the filter media being blown back into the conditioned space.

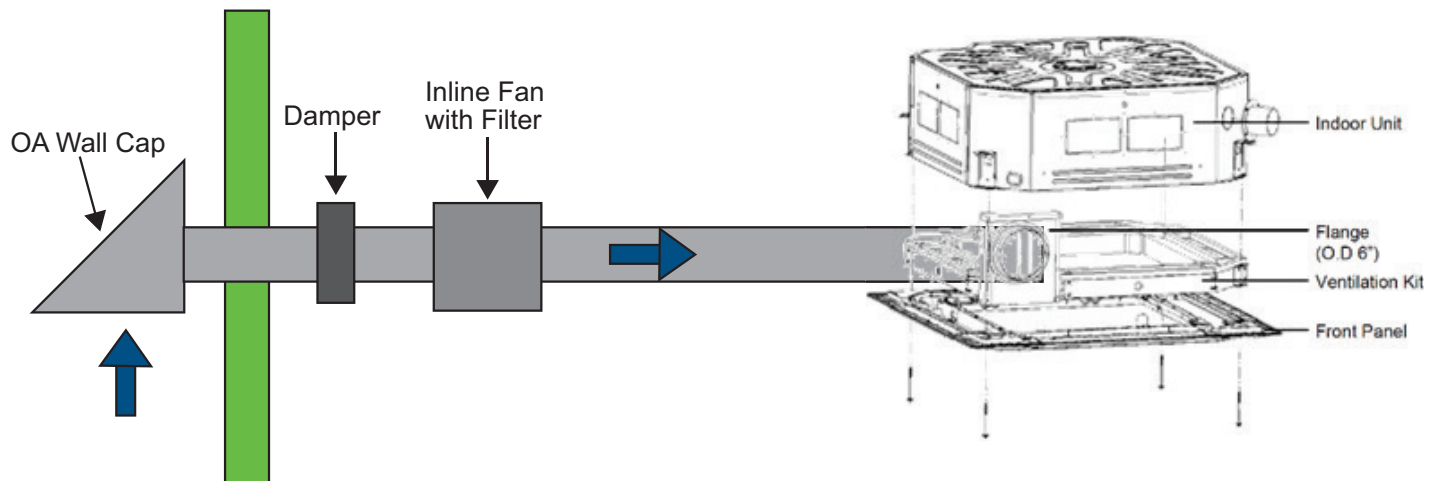
Advantages

- May require less ductwork if indoor units are placed near outdoor walls or a roof deck.
- Controls must be interlocked to shut off the outdoor air supply fan when the space is unoccupied.
- Third-party demand-control ventilation controls may be installed to regulate outdoor intake based on the CO₂ levels of the occupied space.

Disadvantages

- Fan(s) will be required to push outdoor air to the indoor unit to overcome the additional static pressure.
- Filter required to be added to the outdoor air duct.
- Ducted and four-way cassette models are the only indoor units that accept the connection of an outdoor air duct to the unit case.
- In most cases, in lieu of using the factory mounted return-air thermistor on indoor units, a remote wall temperature sensor or zone controller will be needed to provide an accurate reading of the conditioned area temperature.
- Unconditioned outdoor air may affect indoor unit performance, which may necessitate oversizing the indoor unit.

Figure 41: Unconditioned Outdoor Air Ducted to Indoor Units.



Method 4: Coupled Dedicated Outdoor Air (CDOA)

A separate, dedicated outdoor air system delivers air directly to a Multi F indoor unit or to the return air duct system. After mixing with the return air stream, ventilation air passes through the indoor unit and into the conditioned space. The pretreatment system is capable of filtering, conditioning, and dehumidifying outdoor air to room neutral conditions.

Note:

Outside air may flow backward through the return air-filter grille when the indoor unit fan speed is reduced or stops when the space load is satisfied. This may result in captured particulate on the filter media being blown back into the conditioned space.

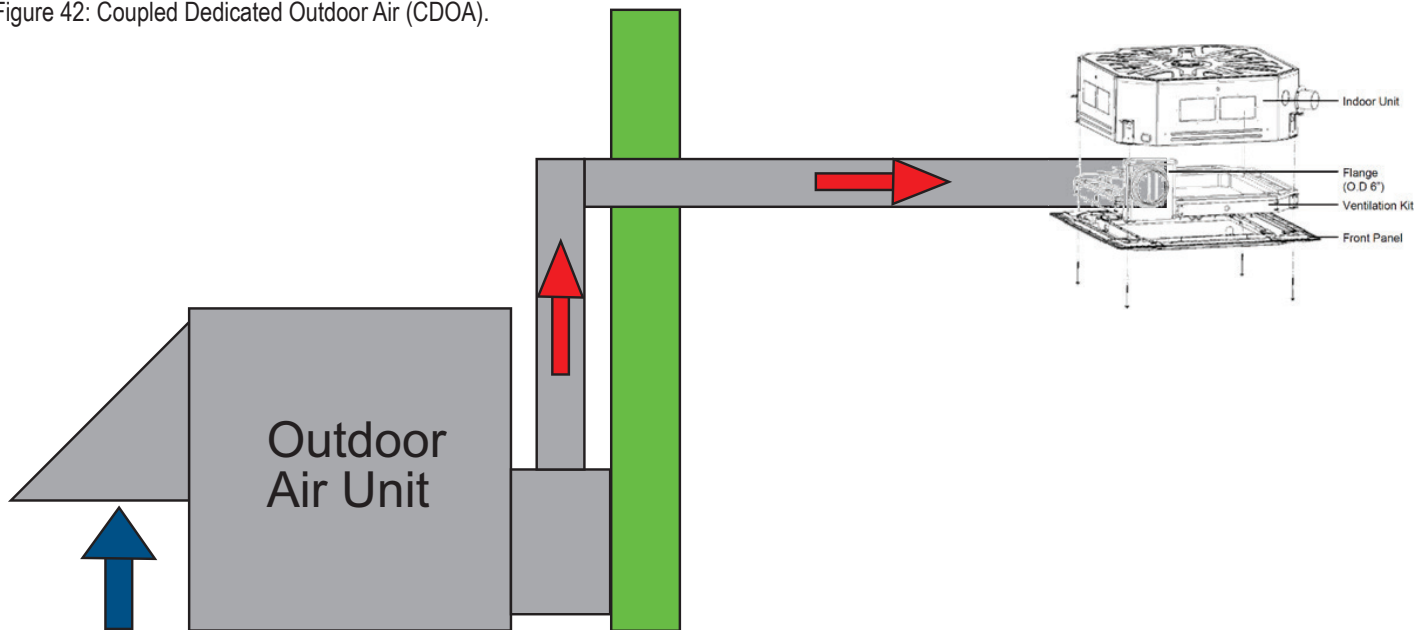
Advantages

- Indoor unit capacity may not need to be increased because of outdoor air.
- Fan and filter system is centralized to the main outdoor air unit.

Disadvantages

- Ducted and four-way cassette indoor units are the only models designed for direct connection of an outside air duct.
- Ceiling space is required for ductwork.
- Failure of outdoor air may impact indoor unit operation.
- In lieu of using the factory mounted return-air thermistor, a remote wall temperature sensor or zone controller may be required to provide an accurate conditioned space temperature reading.

Figure 42: Coupled Dedicated Outdoor Air (CDOA).



Method 5: Decoupled Dedicated Outdoor Air System (DDOAS)

Provide a separate, dedicated outdoor-air system designed to filter, condition, and dehumidify ventilation air and deliver it directly to the conditioned space through a separate register or grille. This approach requires a separate independent ventilation duct system not associated with the Multi F system.

Note:

LG recommends using the DDOAS method in all installations.

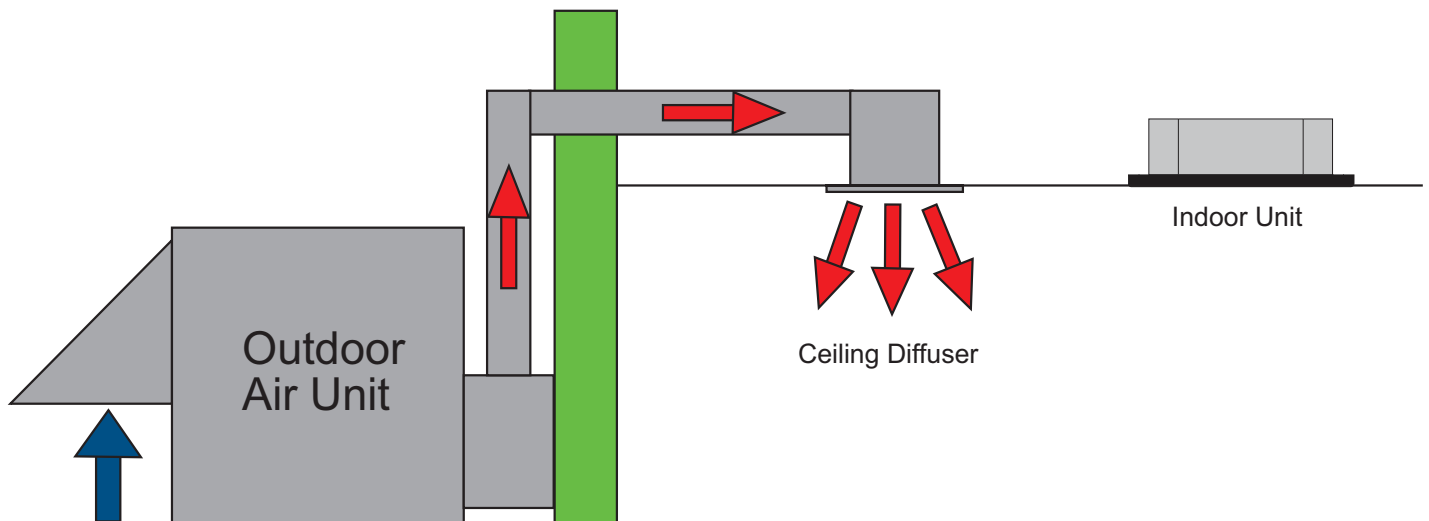
Advantages

- Does not add additional heating or cooling loads to indoor units.
- May be used with the full lineup of Multi F indoor units.
- Failure of outdoor unit does not impact operation of indoor unit, the resulting untreated air will be readily noticed by the occupants.
- The outdoor air unit may supply “neutral” air to the occupant space even when the Multi F indoor unit fan changes speed or cycles on and off. DDOAS controls do not have to be interlocked with the Multi V F system.
- In lieu of installing localized smaller outside air treatment equipment throughout the building, this method centralizes the ventilation air source making service and filter changes easier and less disruptive for the building occupants.
- Third-party demand control ventilation controls are more readily accommodated.
- Indoor unit operation and performance will not be affected by the condition of outdoor air.

Disadvantages

- Ceiling space is required to accommodate ductwork between the outdoor air unit and ceiling diffusers.

Figure 43: Decoupled Dedicated Outdoor Air System (DDOAS).



Selecting the Best Location for the Indoor Units

Select a location for installing the indoor units that will meet the following conditions:

- Within allowable parameters for proper connection to the outdoor unit (or Branch Distribution unit, if a Multi F MAX system).
- No obstacles to air circulation around the unit; keep proper distances from ceilings, doorways, floor, walls, etc.
- So that condensation drainage can be conveniently routed away.
- Include enough space around the indoor unit so that it is accessible for maintenance and service purposes.
- Where electrical noise / electromagnetic waves will not affect indoor unit operation. Maintain proper distances between the indoor units and electric wires, audio and visual appliances, breaker / circuit panels, etc. If the frequency signal of the appliance is unstable, then install the indoor unit a minimum of ten (10) feet away, and run the power and transmission cables through a conduit.
- An area that is level and with enough strength to bear the weight of the indoor unit(s).
- An area where operation sound won't disturb occupants.
- An area that does not expose the indoor unit(s) to heat, water, steam, oil splattering or spray.

Selecting the Best Location for the Branch Distribution (BD) Unit

Branch Distribution (BD) units are used only with Multi F MAX systems to distribute the refrigerant from the outdoor unit to up to eight indoor units. Select location indoors that will meet the following conditions:

- Within allowable parameters for proper connection to the Multi F MAX outdoor unit and indoor unit(s); refrigerant piping and wire lengths must not exceed amounts specified by LG Electronics, U.S.A., Inc.
- No obstacles to air circulation around the unit; keep proper distances from ceilings, doorways, floor, walls, etc.
- Condensate drain piping is not required.
- Ensure there is enough space in the installation area for service purposes; install the refrigerant piping and electrical wiring system in an easily accessible location.
- Do not install the BD unit in a location where it would be subjected to strong radiation heat from heat sources.
- Avoid an installation environment where the BD unit would be exposed to heat, water, steam, oil splattering or spray.
- Where high-frequency electrical noise / electromagnetic waves will not affect operation. Maintain proper distances between the BD unit(s) and electric wires, audio and visual appliances, breaker / circuit panels, etc.
- Level where there is enough strength to bear the weight of the BD unit.
- Install the unit in a location where any sound it generates will not disturb occupants in the surrounding rooms.

Selecting the Best Location for the Outdoor Unit

Select a location for installing the outdoor unit that will meet the following general conditions:

- A location strong enough to bear the weight of the outdoor unit.
- A location that allows for optimum air flow and is easily accessible for inspection, maintenance, and service.
- Where piping between the outdoor unit, indoor unit(s), and BD units (Multi F MAX systems only) are within allowable limits.
- Where it will not be subjected to direct thermal radiation from other heat sources, nor an area that would not expose the outdoor unit to heat or steam like discharge from boiler stacks, chimneys, steam relief ports, other air conditioning units, kitchen vents, plumbing vents, and other sources of extreme temperatures.
- Where operating sound from the unit will not disturb inhabitants of surrounding buildings.
- Where the unit will not be exposed to direct, strong winds.
- Where high-frequency electrical noise / electromagnetic waves will not affect operation.
- Include space for drainage to ensure condensate flows properly out of the unit when it is in heating mode. Avoid placing the outdoor unit in a low-lying area where water could accumulate.

Note:

When deciding on a location to place the outdoor unit, be sure to choose an area where run-off from defrost mode will not accumulate and freeze on sidewalks or driveways.

- To avoid the possibility of fire, do not install the unit in an area where combustible gas may generate, flow, stagnate, or leak.
- Don't install the unit in a location where oil, acidic solutions, sprays, or dust (sulfur, carbon, other corrosive materials) are present / often used.

Rooftop Installations

If the outdoor unit is installed on a roof structure, be sure to level the unit. Ensure the roof structure and anchoring method are adequate for the unit location. Consult local codes regarding rooftop mounting.

Oceanside Installation Precautions

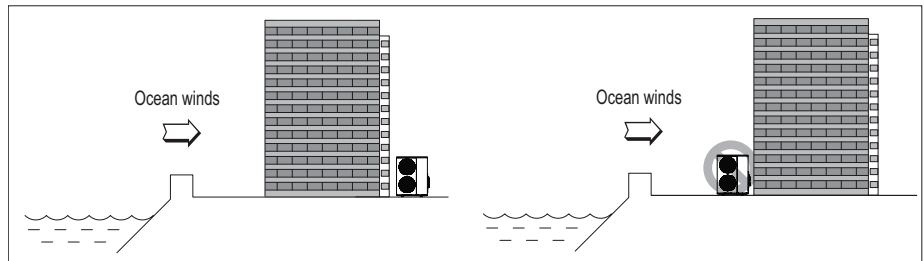
- Avoid installing the outdoor unit where it would be directly exposed to ocean winds.
- Install the outdoor unit on the side of the building opposite from direct ocean winds.
- Select a location with good drainage.
- Periodically clean dust or salt particles off of the heat exchanger with water.

Note:

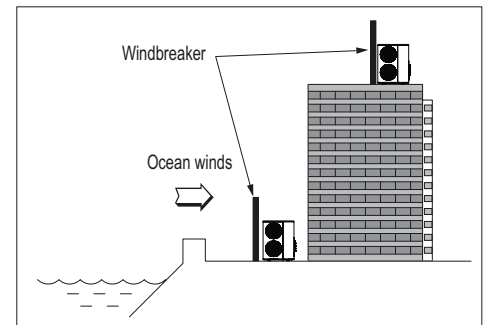
Additional anti-corrosion treatment may need to be applied to the outdoor unit at oceanside locations.

Note:

Ocean winds may cause corrosion, particularly on the condenser and evaporator fins, which, in turn could cause product malfunction or inefficient performance.



If the outdoor unit must be placed in a location where it would be subjected to direct ocean winds, install a concrete windbreaker strong enough to block any winds. Windbreaker height and width should be more than 150% of the outdoor unit, and be installed at least 27-1/2 inches away from the outdoor unit to allow for airflow.



Planning for Snow and Ice

In climates that experience snow buildup, place the unit on a raised platform to ensure proper condenser airflow. The raised support platform must be high enough to allow the unit to remain above possible snow drifts. Mount the unit on a field-provided snow stand at a minimum height that is equal to the average annual snowfall, plus 20 inches. Design the mounting base to prevent snow accumulation on the platform in front or back of the unit case. If necessary, provide a field fabricated hood to keep snow and ice and/or drifting snow from accumulating on the coil surfaces. Use inlet and discharge duct or hoods to prevent snow or rain from accumulating on the fan inlet and outlet guards. Best practice prevents snow from accumulating on top of the unit. Consider tie-down requirements in case of high winds or where required by local codes.

Outdoor Unit Platform Requirements

Figure 44: Outdoor Unit Foundation Requirements.

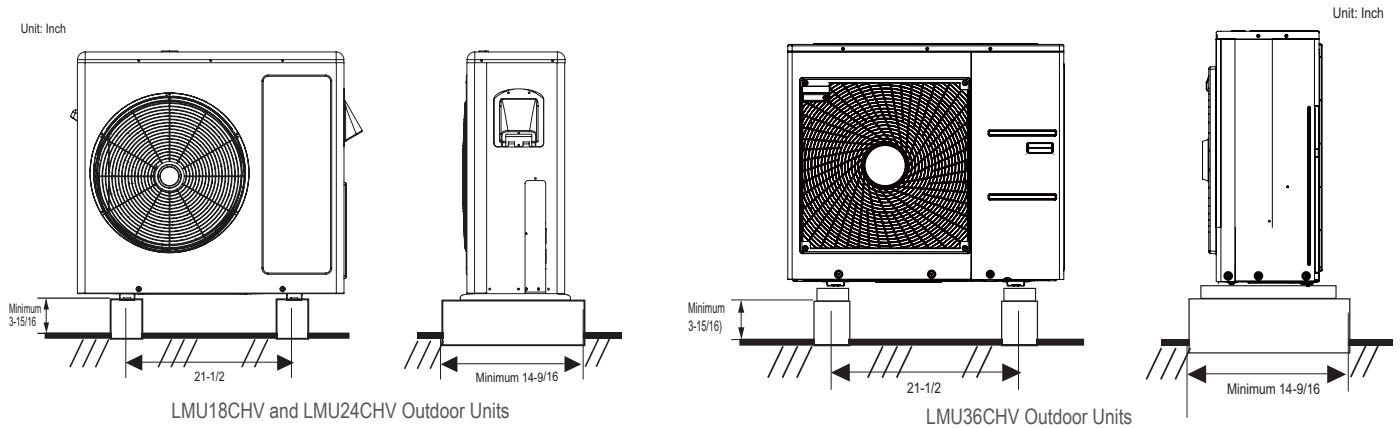
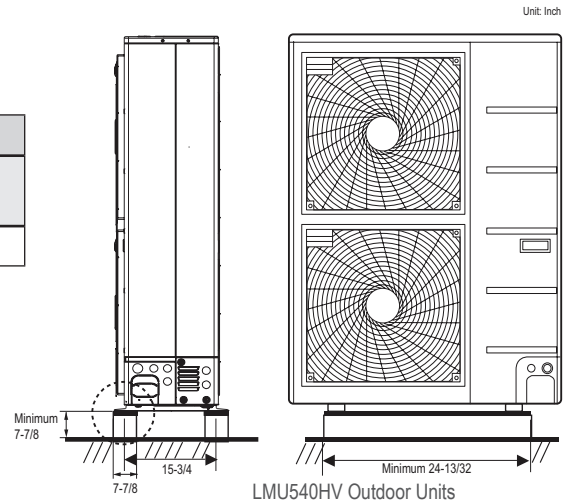


Table 324: Outdoor Unit Foundation Specifications.

Outdoor Unit Type	Bolt Type	Concrete Height	Bolt Depth
LMU18CHV, LMU24CHV, LMU36CHV	M10-J	Minimum 3-15/16 inches	Minimum 2-3/4 inches
LMU540HV	M10-J	Minimum 7-7/8 inches	Minimum 2-3/4 inches



Bolting the Outdoor Unit to the Platform

1. Ensure that the concrete platform will not degrade easily, and has enough strength to bear the weight of the unit.
2. Include an H-beam support. Firmly attach the corners, otherwise the support will bend.
3. Use a hexagon nut.
4. Use anti-vibration material.
5. Include enough space around the concrete foundation for condensate drainage.
6. Seal all wiring and piping access holes to prevent bugs from entering the unit.

Concrete Platform Specifications

- Concrete foundations should be made of one part cement, two parts sand, and four parts gravel.
- The surface of the foundation should be finished with mortar with rounded edges, and weatherproofed.

Figure 45: Bolting the Outdoor Unit to the Platform.

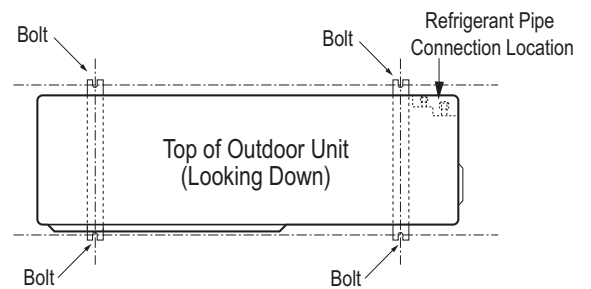
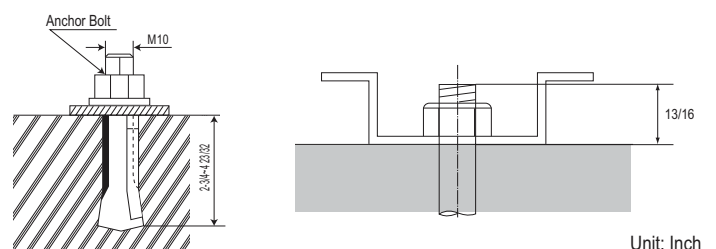


Figure 46: Close up of Bolt Attachment.



Tie-Downs and Lightning Protection

Tie-Downs

- The strength of the roof must be checked before installing the outdoor units.
- If the installation site is prone to high winds or earthquakes, when installing on the wall or roof, securely anchor the mounting base using a field-provided tie-down configuration approved by a local professional engineer.
- The overall tie-down configuration must be approved by a local professional engineer. Always refer to local code when using a wind restraint system.

Lightening Protection

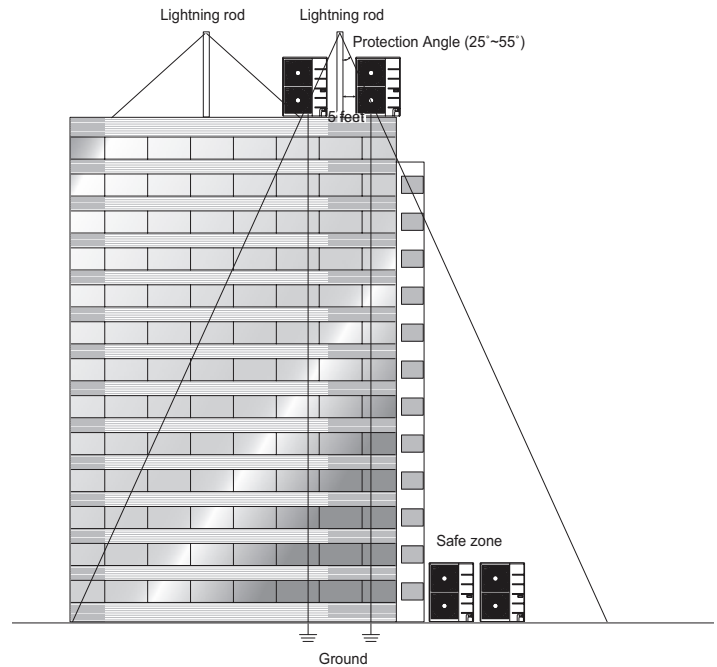
- To protect the outdoor unit from lightning, it should be placed within the specified lightning safety zone.

Table 325: Safety Zone Specifications.

Building Height (feet)	66	98	148	197
Protection Angle (°)	55	45	35	25

- Power cable and communication cable should be installed five (5) feet away from lightning rod.
- A high-resistance ground system should be included to protect against induced lightning or indirect strike.

Figure 47: Lightning Protection Diagram.



Note:

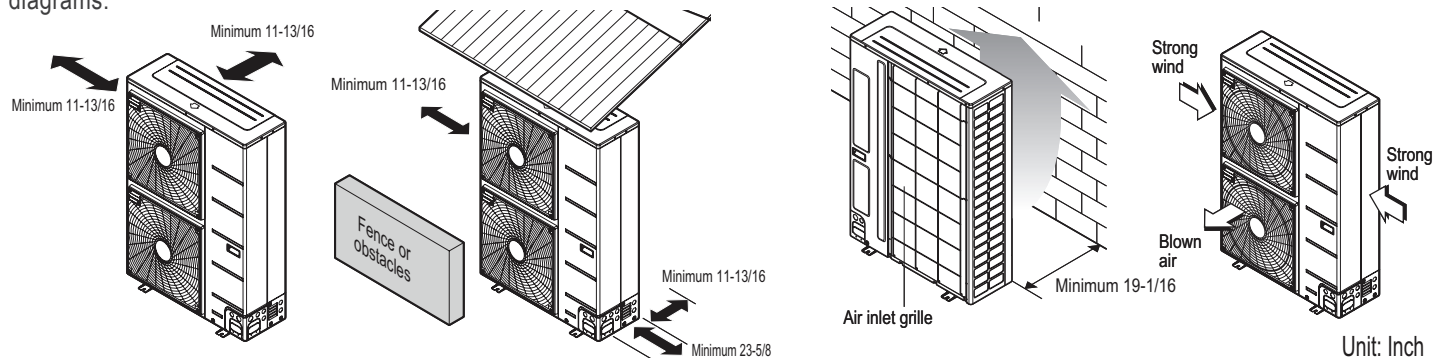
If the building does not include lightning protection, the outdoor unit may be damaged from a lightning strike. Inform the customer of this possibility in advance.

Outdoor Unit Service Access and Allowable Clearances

Appropriate airflow through the outdoor unit coil is critical for proper unit operation.

- Include enough space for airflow and for service access. If installing multiple outdoor units, avoid placing the units where the discharge of one unit will blow into the inlet side of an adjacent unit.
- No obstacles to air circulation around the unit; keep proper distances from ceilings, fences, floor, walls, etc. (Install a fence to prevent pests from damaging the unit or unauthorized individuals from accessing it.)
- If an awning is built over the unit to prevent direct sunlight or rain exposure, make sure that the discharge air of the outdoor unit isn't restricted.

When installing the outdoor unit, consider service, inlet, and outlet, and minimum allowable space requirements as illustrated in the following diagrams.

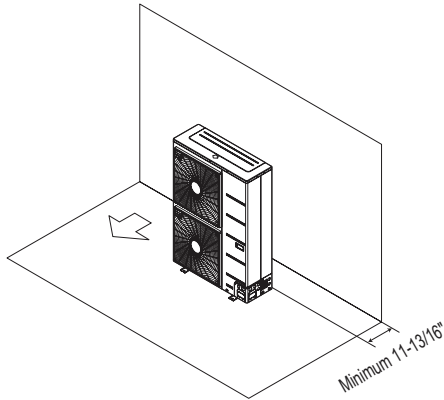


Ensure that the space at the back of the outdoor unit is a minimum of 11-13/16 inches, and include a minimum of 23-5/8 inches at the right side of the unit for service.

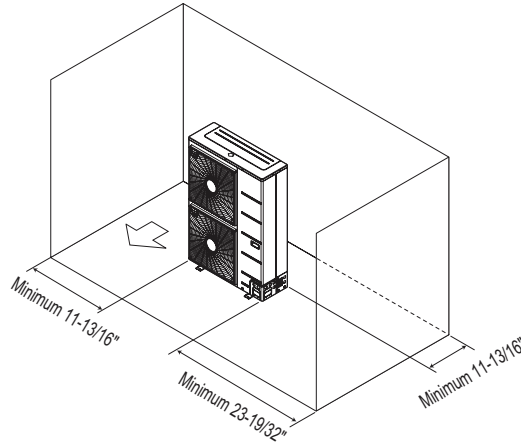
If the outdoor unit discharge side faces a wall, include a minimum of 19-11/16 inches between the outdoor unit and the wall. Install the outdoor unit so that the discharge port is set at a right angle to the wind direction.

Clearance Requirements when Different Obstacles are Present (Unit: Inch).

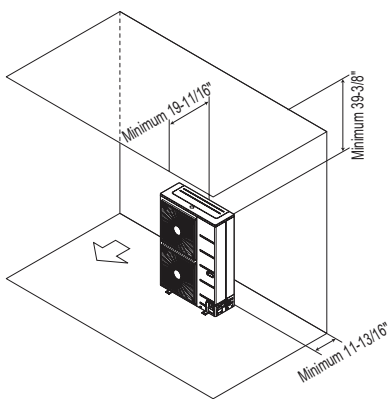
Obstacle on the suction side only.



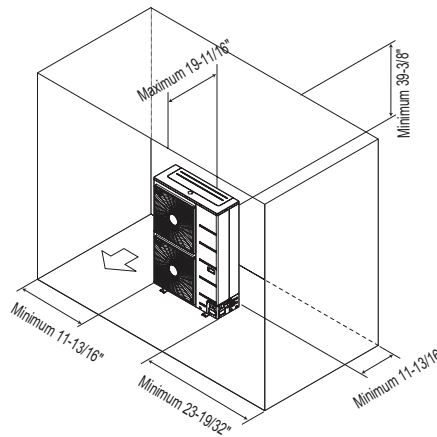
Obstacles on the suction side and on both left and right sides.



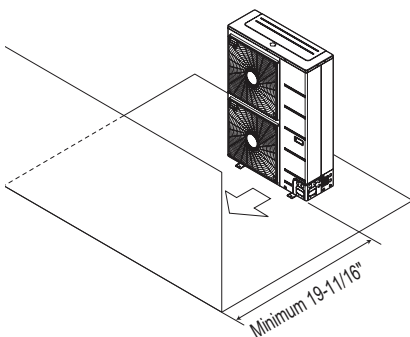
Obstacles above and on the air intake side.



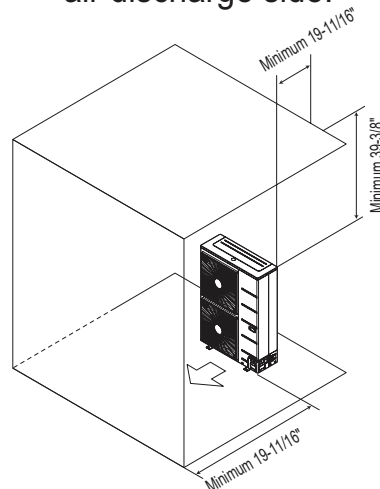
Obstacles above, on the air intake side, and on both left and right sides



Obstacle just on the air discharge side.



Obstacles above and on the air discharge side.



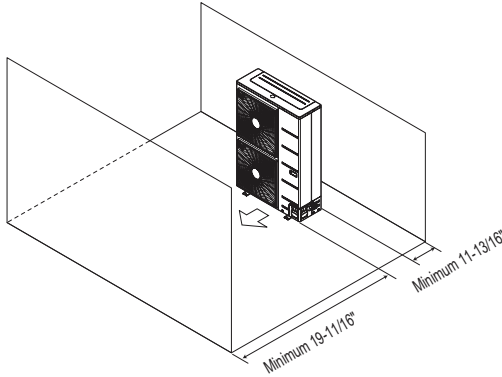
PLACEMENT CONSIDERATIONS

MULTI F
MULTI F MAX

Multi F and Multi F MAX Indoor Unit Engineering Manual

Clearance Requirements when Different Obstacles are Present, continued. (Unit: Inch)

Where there are obstacles on both suction and discharge sides (discharge side obstacle is higher than the outdoor unit).



Where there are obstacles above, and on both suction and discharge sides (discharge side obstacle is higher than the outdoor unit).

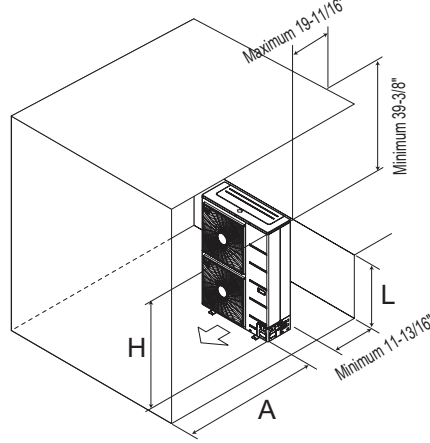
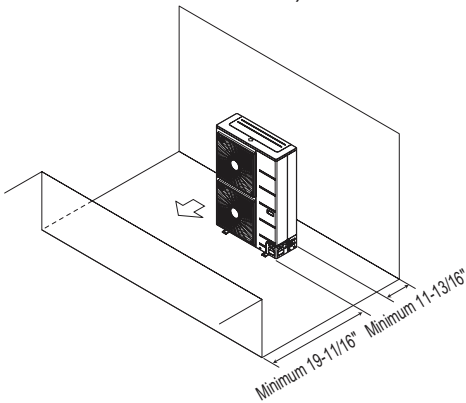


Table 326: Ratio among H, A, and L.

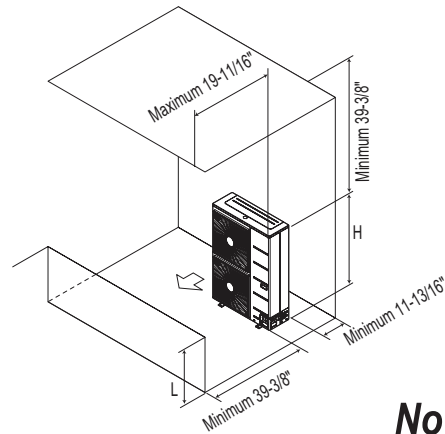
	L	A
L ≤ H	0 < L ≤ 1/2 H	29-1/32 inches
	1/2 H < L	39-3/8 inches
H < L	Set Stand as: L ≤ H	

If a stand is necessary, it should be contained (not open frame) to prevent the discharge air from short cycling.

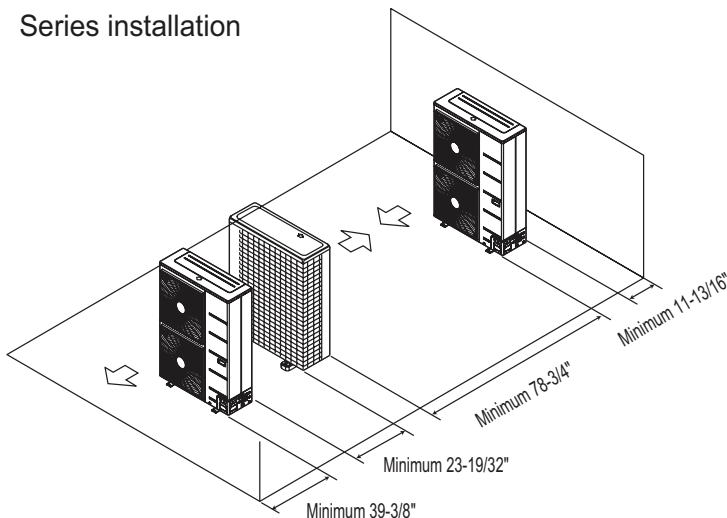
Where there are obstacles on both suction and discharge sides (discharge side obstacle is lower than the outdoor unit).



Where there are obstacles above, and on both suction and discharge sides (discharge side obstacle is lower than the outdoor unit).



Series installation



Note:

"L" should be lower than "H". If a stand is necessary, it should be contained (not open frame) to prevent the discharge air from short cycling.

REFRIGERANT PIPING DESIGN & LAYOUT BEST PRACTICES

“Design Guideline Summary” on page 360

“Creating a Balanced / Quality Piping System” on page 362

“Manual Layout Procedure” on page 362

“LG Engineered Multi F MAX Y-Branch Kits” on page 363

“Refrigerant Charge” on page 364

“Selecting Field-Supplied Copper Tubing” on page 366

“Refrigerant Piping System Layout” on page 368

“Piping Insulation” on page 376

“Condensate Drain Piping” on page 377

“Cut Sheet” on page 379

REFRIGERANT PIPING DESIGN

MULTI F
MULTI F MAX

Design Guideline Summary

The following are examples of manual pipe size calculations. Designers are highly encouraged to use LATS for Multi F systems.

Device Connection Limitations

- The minimum number of connected and operating indoor units to Multi F / Multi F MAX systems is two, taking into consideration the minimum combination ratio.
- The maximum number of indoor units for each Multi F / Multi F MAX heat pump systems is:

LMU18CHV = 2 LMU24CHV = 3 LMU36CHV = 4 LMU540HV = 8

One of the most critical elements of multi-zone systems is the refrigerant piping. The following pages list pipe length limits that must be followed in the design of Multi F and Multi F MAX refrigerant pipe systems:

Using Refrigerant Components

Field-supplied elbows are allowed as long as they are designed for use with R410A refrigerant. The designer, however, should be cautious with the quantity and size of fittings used, and must account for the additional pressure losses in equivalent pipe length calculation for each branch. The equivalent pipe length of each elbow must be added to each pipe segment.

Table 327: Equivalent Piping Length for Elbows, Y-branches, and Branch Distribution Units.

Component	Size (Inches)				
	1/4	3/8	1/2	5/8	3/4
Elbow (ft.)	0.5	0.6	0.7	0.8	1.2
Y-Branch Kit (ft., Multi F MAX systems only) ¹	1.6				
Branch Distribution Unit (ft., Multi F MAX systems only)	8.2				

¹Kit contains two Y-branches: one for liquid and one for vapor.

Multi F System

Example: LMU36CHV outdoor unit with four (4) indoor units connected.

ODU: Outdoor Unit.

IDU: Indoor Unit.

A, B, C, D: Pipes from Outdoor Unit to Indoor Unit.

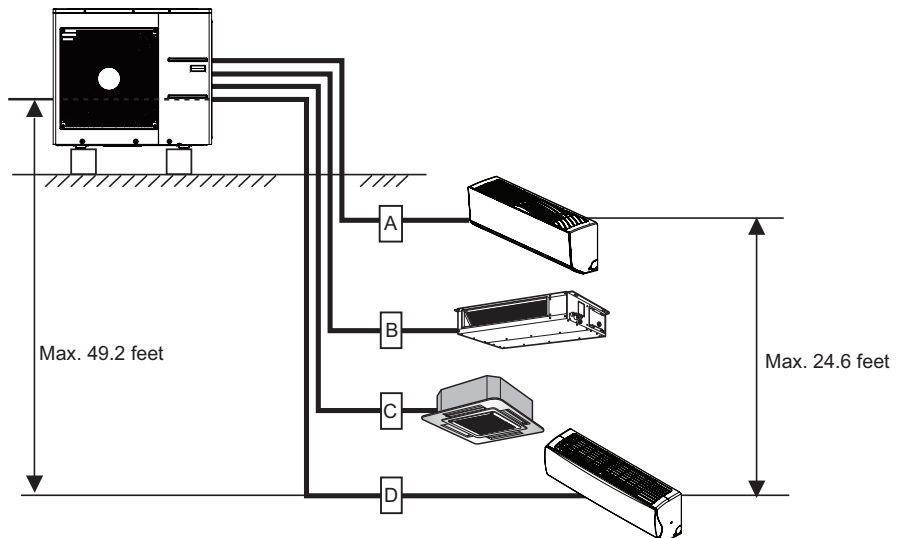


Table 328: Multi F Outdoor Unit Refrigerant Piping System Limitations.

Outdoor Unit	Minimum Length for Each Pipe (ft.)	Maximum Piping Length to Each Indoor Unit (ft.)				Maximum Total Piping Length for Each System (ft.)
		A	B	C	D	
LMU18CHV	10	82	82	-	-	164
LMU24CHV	10	82	82	82	-	246.1
LMU36CHV	10	82	82	82	82	246.1

The following are examples of manual pipe size calculations. Designers are highly encouraged to use LATS for Multi F systems.

Multi F MAX System with One Branch Distribution Unit

Example: LMU540HV outdoor unit with four (4) indoor units, and one (1) branch distribution unit connected.

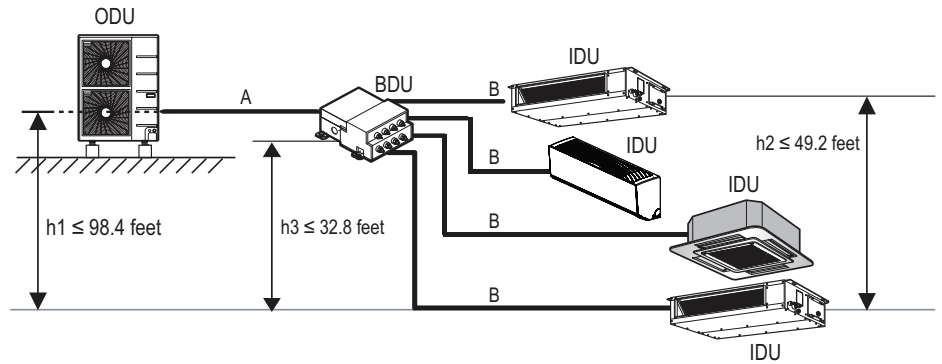
ODU: Outdoor Unit.

IDU: Indoor Unit.

BDU: Branch Distribution Unit.

A: Main Pipe.

B: Branch Pipe (Branch Distribution Unit to Indoor Unit[s]).



Multi F MAX System with Two Branch Distribution Units

Example: LMU540HV outdoor unit with seven (7) indoor units, and two (2) branch distribution units connected.

ODU: Outdoor Unit.

IDU: Indoor Unit.

BD: Branch Distribution Unit(s).

ΣA: Main Pipe.

ΣB: Branch Pipe (Branch Distribution Unit[s] to Indoor Unit[s]).

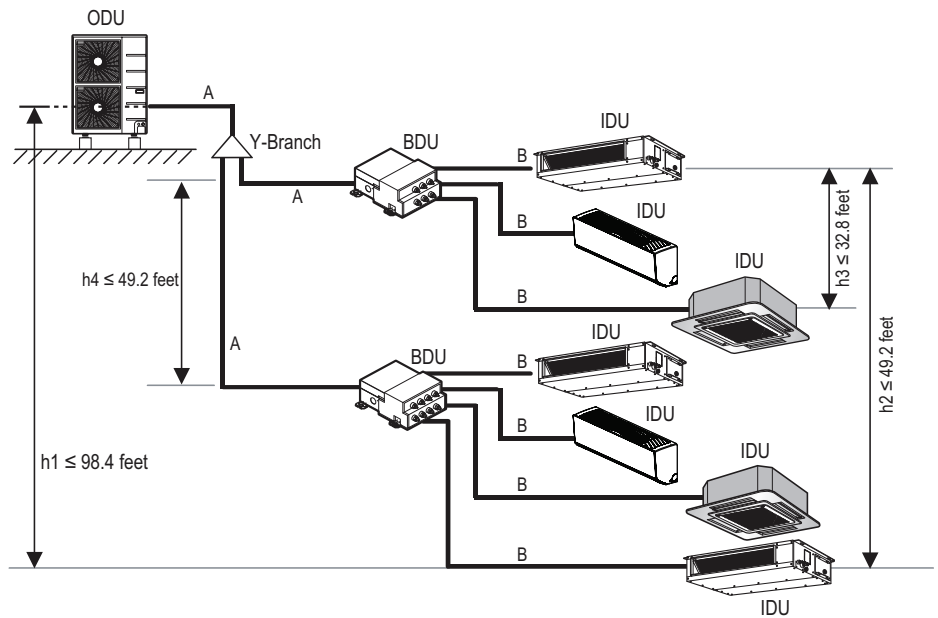


Table 329: Multi F MAX Outdoor Unit Refrigerant Piping System Limitations.

Pipe Length (ELF = Equivalent Length of pipe in Feet)	Total piping length ($\Sigma A + \Sigma B$)		≤475.7 feet
	Main pipe (Outdoor Unit to Branch Distribution Units: ΣA)	Minimum	10 feet
		Maximum	≤180.4 feet
	Total branch piping length (ΣB)		≤295.3 feet
Branch pipe (Branch Distribution Units to Indoor Units: B)	Minimum	10 feet	
	Maximum	≤49.2 feet	
Elevation Differential (All Elevation Limitations are Measured in Actual Feet)	If outdoor unit is above or below indoor unit (h_1)		≤98.4 feet
	Between the farthest two indoor units (h_2)		≤42.9 feet
	Between branch distribution unit and farthest connected indoor unit(s) (h_3)		≤32.8 feet
	Between branch distribution units (h_4)		≤42.9 feet

Table 330: Multi F MAX Piping Sizes.

Piping	Main Pipe A (inch)	Branch Pipe B
Liquid	Ø3/8	Depends on the size of the indoor unit piping
Gas	Ø3/4	

Creating a Balanced / Quality Piping System

Unlike designing duct-work or chilled and hot water pipe systems where balancing dampers, ball valves, orifices, circuit setters, or other flow control devices can be installed to modify or balance the flow of cooling medium, these cannot be used in a Multi F system. Therefore, variable refrigerant flow systems have to be designed to be “self balanced.” Balanced liquid refrigerant distribution is solely dependent on the designer using the correct pipe size for each segment. Pipe sizing considerations include pipe length, pipe segment pressure drop relative to other pipe segments in the system, type and quantity of elbows, bends present, fitting installation orientation, and end use device elevation differences.

Note:

The designer should avoid creating excessive pressure drop. When liquid refrigerant is subjected to excessive pressure drop, liquid refrigerant will change state and “flash” to vapor. Vapor present in a stream of liquid refrigerant before reaching the indoor unit coil (or branch distribution unit for Multi F MAX systems) results in a loss of system control and causes damage to the components. The pipe system must be designed in a manner that avoids the creation of unwanted vapor.

Refrigerant Piping System Verification

To ensure that the refrigerant piping design is suitable for the system, a LATS refrigerant piping design software report must be provided with every Multi F order. Following the installation, if any changes or variations to the design were necessary, an “as-built” LATS piping design software report must be provided to LG prior to system commissioning. User should always check the LATS report actual pipe layout versus pipe limits.

Note:

Any field changes, such as re-routing, shortening or lengthening a pipe segment, adding or eliminating elbows and/or fittings, re-sizing, adding, or eliminating indoor units, changing the mounting height or moving the location of a device or fitting during installation should be done with caution and ALWAYS VERIFIED in LATS MULTI F SOFTWARE before supplies are purchased or installed. Doing so ensures profitable installation, eliminates rework, and ensures easier system commissioning.

Manual Layout Procedure

1. Choose the location of the indoor units on the building drawing.
2. Choose the location of all Y-branch and branch distribution units (if a Multi F MAX system) and note them on the building drawing. Verify that all fittings are positioned per the guideline limitations set forth in “Y-branch Kits” on page 363.
3. Plan the route for interconnecting piping. Draw a one-line depiction of the pipe route chosen on the building drawing.
4. Calculate the actual length of each pipe segment and note it on the building drawing.
5. Using the data obtained while selecting the system components, list the corrected cooling capacity next to each indoor unit on the drawing.
6. Starting at the indoor unit located farthest from the outdoor unit, sum the corrected cooling capacity of all indoor units served by the pipe segment for each branch and runout pipe (indoor units and branch distribution units [Multi F MAX systems only]). Record these values next to each segment.
7. Verify the size of the liquid and vapor lines.
8. If a Multi F MAX system, refer to Cut-Sheets “Y-branch Kits” on page 379 and branch distribution units on page 373 to verify the part number of each Y-branch and branch distribution unit based on the connected downstream nominal capacity served.
9. Calculate the equivalent pipe length in feet of each pipe segment. If a Multi F MAX system, Y-branch equivalent lengths should be totaled with the upstream segment only. Use equivalent pipe length data when it is provided with field-purchased fittings. If not available, use the data provided on page 360 to estimate the equivalent length of field-provided pipe and fittings for each segment. Equivalent lengths should be totaled with the upstream segment only.
10. Verify if the equivalent pipe length complies with the limitations in the “Multi F and Multi F MAX Refrigerant Piping System Limitations” tables on pages 360 and 361. If the limitations are exceeded, either reroute the pipe or change the location of the indoor unit, Y-branch fittings and branch distribution units (if Multi F MAX systems), so the design conforms with all limitations.
11. If adjusted as per Step 10 above, verify again if the length of the design complies with the limitations set in “Multi F and Multi F MAX Refrigerant Piping System Limitations” tables on pages 360 and 361.
12. Verify that the manually sized pipe design is acceptable using LATS Multi F. When entering the length of pipe segments in LATS Multi F software, enter the equivalent pipe length. Account for the additional pressure drop created by elbows, valves, and other fittings present in each segment by adding their respective equivalent pipe length to the actual pipe length.

Multi F MAX Y-Branch Kit PMBL5620

The LG supplied Y-Branch Kit PMBL5620 MUST be used when two branch distribution units are connected on one Multi F MAX system. Field-supplied fittings are not permitted. Each Y-Branch kit comes with two (2) Y-branches (one for the liquid line and one for the vapor line) and insulation covers.

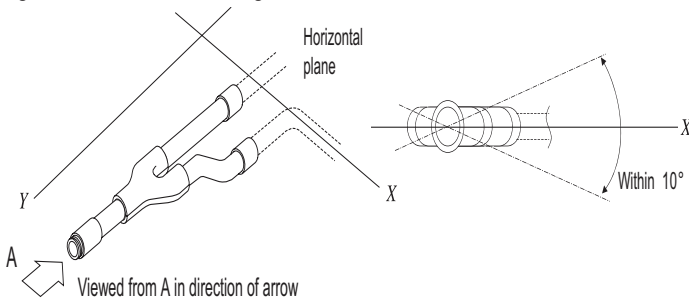
Y-branches may be installed in horizontal or vertical configurations. When installed vertically, position the Y-branch so the straight-through leg is $\pm 3^\circ$ of plumb. When installed horizontally, position the Y-branch so the take-off leg is level and shares the same horizontal plane as the straight-through leg $\pm 10^\circ$ rotation.

Y-branches must be properly installed following instructions in the applicable LG manual. Y-branches should always be installed with the single port facing the outdoor unit and the two-port end facing the branch distribution units. Do not install Y-branches backwards as refrigerant flow cannot make U-turns. The Y-branch kit must be located at least three (3) feet from the outdoor unit. Provide a minimum of 20 inches between a Y-branch and the branch distribution unit.

It is recommended that when a Y-branch is located in a pipe chase or other concealed space, access doors should be provided for inspection access.

The equivalent pipe length of each Y-branch (1.6') must be added to the main pipe segment entered into LATS piping design software.

Figure 50: Horizontal Configuration End View.



Y-Branch Kit Insulation

Each Y-branch kit comes with clam-shell type peel-and-stick insulation jackets molded to fit the Y-branch fittings—one for the liquid line, one for the vapor line.

- Check the fit of the Y-branch clam-shell insulation jacket after the Y-branch is installed.
- Mark the pipe where the insulation jacket ends.
- Remove the jacket.
- Install field-provided insulation on the pipes first.
- Peel the adhesive glue protector slip and install the clam-shell jacket over the fitting

Figure 48: Y-Branch Connections.

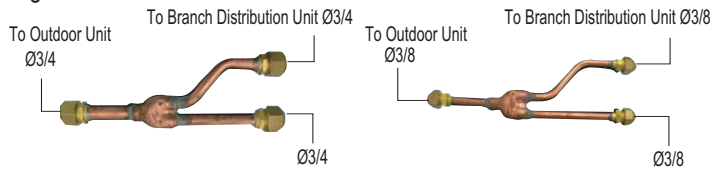
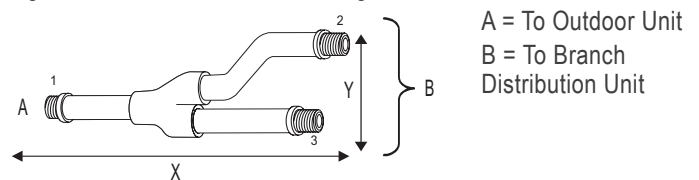


Table 331: Y-Branch Connection Diameters.

Model	Y-Branch Type	Port Identifier (inch)			Dimensions	
		1	2	3	X	Y
PMBL5620	Liquid	3/8	3/8	3/8	13.80	3.24
	Vapor	3/4	3/4	3/4	12.48	3.02

Figure 49: Y-Branch Dimensions Diagram.



Note:

- Design pressure is 551 psig.
- All dimensions in inches. Tolerance $\pm 1/4$ inch.
- Images are not to scale.

Figure 51: Y-branch Installation Alignment Specification.

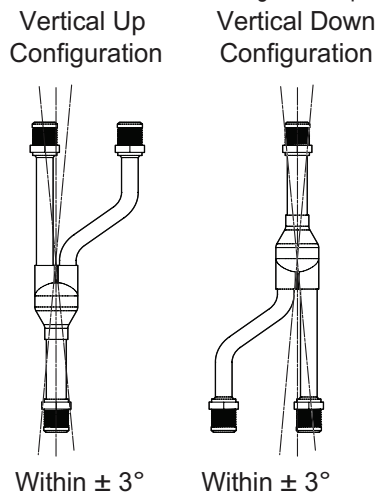
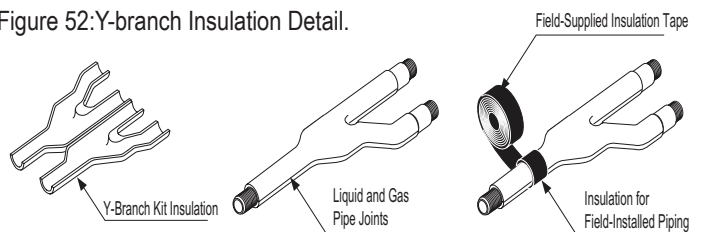


Figure 52: Y-branch Insulation Detail.



REFRIGERANT PIPING DESIGN

MULTI F
MULTI F MAX

Refrigerant Charge

LG Multi F and Multi F MAX outdoor units ship from the factory with a charge of R410A refrigerant. A trim charge may need to be added to take into account additional piping length.

To determine the additional refrigerant that is needed, apply the formulas below, and record the results. If the total additional refrigerant charge value is a negative number, then an additional trim charge does not need to be added to the system.

Table 332: Outdoor Unit Factory Charge.

Outdoor Unit	Factory Charge lbs. of R410A
LMU18CHV	3.96
LMU24CHV	3.96
LMU36CHV	6.18
LMU540HV	9.7

Multi F Systems

$$\begin{aligned} \text{Additional charge (lbs.)} &= (\text{Installed Length of Branch [A]} - \text{Chargeless Pipe Length [L]}) \times a \\ &+ (\text{Installed Length of Branch [B]} - \text{Chargeless Pipe Length [L]}) \times a \\ &+ (\text{Installed Length of Branch [C]} - \text{Chargeless Pipe Length [L]}) \times a \\ &+ (\text{Installed Length of Branch [D]} - \text{Chargeless Pipe Length [L]}) \times a \\ &- CF (\text{Correction Factor}) \times 5.29 \end{aligned}$$

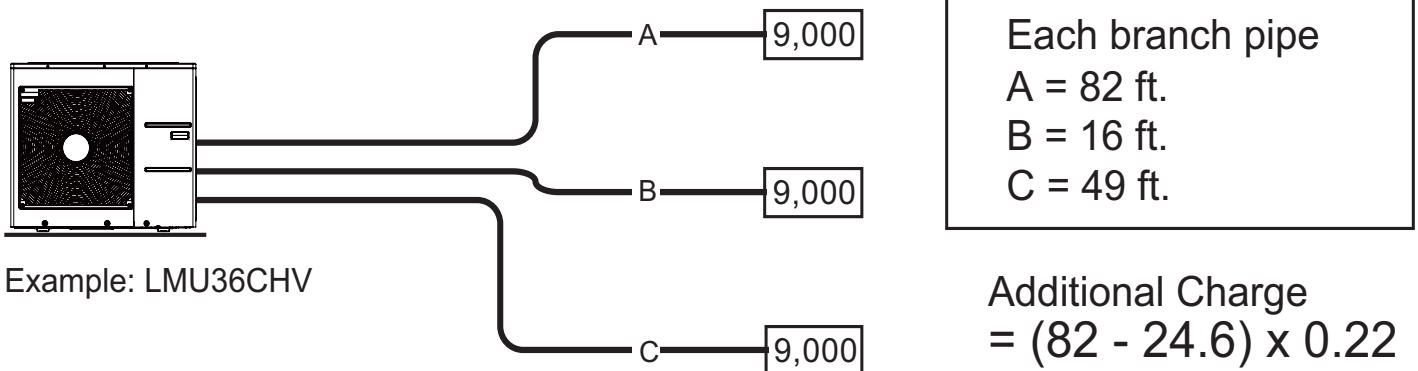
Note:

- Number of installed length of branches depends on the specifications of the outdoor unit model.
- CF = Maximum number of connectable indoor units – Total number of connected indoor units.

Table 333: Multi F Outdoor Unit Piping Specifications.

Outdoor Unit Model	Min. to Max. Piping Length for One Branch (ft.)	Max. Total System Piping Length (ft.)	Chargeless Pipe Length per Branch (L) (ft.)	Additional Charge Needed (a) (oz./ft.)
LMU18CHV	10 to 82	164	24.6	0.22
LMU24CHV	10 to 82	246.1	24.6	0.22
LMU36CHV	10 to 82	246.1	24.6	0.22

Figure 53: Multi F Additional Refrigerant Charge Example.



$$\begin{aligned} \text{Additional Charge} &= (82 - 24.6) \times 0.22 \\ &+ (16 - 24.6) \times 0.22 \\ &+ (49 - 24.6) \times 0.22 \\ &- (4 - 3) \times 5.29 \\ &= 10.82 \text{ oz.} \end{aligned}$$

Multi F MAX Systems

Additional charge (lbs.) = (Total Main Piping Length [A] - Chargeless Pipe Length of Main Pipe [L]) x a
 + (Installed Length of Branch [B1] - Chargeless Pipe Length [B]) x b
 + (Installed Length of Branch [B2] - Chargeless Pipe Length [B]) x b
 + (Installed Length of Branch [B3] - Chargeless Pipe Length [B]) x b ...
 - CF (Correction Factor) x 3.53

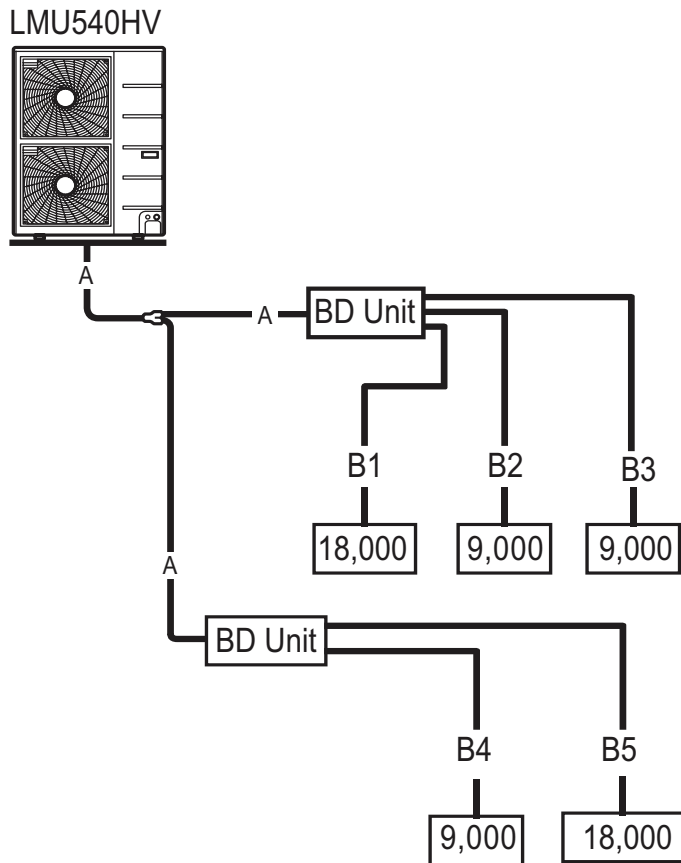
Note:

- Number of installed length of branches depends on system specifications.
- CF = Maximum number of connectable indoor units - Total number of connected indoor units

Table 334: Multi F MAX Outdoor Unit Piping Specifications.

Outdoor Unit Model	Main Piping Length		Branch Piping Length	
	Chargeless Pipe Length of Main Pipe (L) (ft.)	Additional Charge Needed (a) (oz./ft.)	Chargeless Pipe Length per Branch Pipe (B) (ft.)	Additional Charge Needed (b) (oz./ft.)
LMU540HV	16.4	0.54	16.4	0.22

Figure 54: Multi F MAX Additional Refrigerant Charge Example.



- Total main pipe (A) = 60 ft.
- Each branch pipe
 - B1 = 49 ft.
 - B2 = 17 ft.
 - B3 = 17 ft.
 - B4 = 10 ft.
 - B5 = 23 ft.

Additional Charge
 = (60 - 16.4) x 0.54
 + (49 - 16.4) x 0.22
 + (17 - 16.4) x 0.22
 + (17 - 16.4) x 0.22
 + (10 - 16.4) x 0.22
 + (23 - 16.4) x 0.22
 - (8 - 5) x 3.53
 = 20.43 oz.

REFRIGERANT PIPING DESIGN

MULTI F
MULTI F MAX

Selecting Field-Supplied Copper Tubing

Type ACR copper is the only approved refrigerant pipe material for use with LG Multi F air conditioning products. ACR rated tubing is the only type that ships with yellow caps. Approved tubing for use with Multi V products will be marked “R410 RATED” along the length of the tube.

- Drawn temper (rigid) ACR copper tubing is available in sizes 3/8 through 2-1/8 inches (ASTM B 280, clean, dry, and capped).

- Annealed temper (soft) ACR copper tubing is available in sizes 1/4 through 2-1/8 inches (ASTM B 280, clean, dry, and capped).

Tube wall thickness should meet local code requirements and be approved for a maximum operating pressure of 551 psi. When bending tubing, use the largest radii possible to reduce the equivalent length of installed pipe; also, bending radii greater than ten (10) pipe diameters can minimize pressure drop. Be sure no traps or sags are present when rolling out soft copper tubing coils.

Table 335: ACR Rated Copper Tubing Material.

Type	Seamless Phosphorous Deoxidized
Class	UNS C12200 DHP
Straight Lengths	H58 Temper
Coils	O60 Temper

Table 336: ACR Rated Piping Tube Thicknesses.

OD (in)	1/4	3/8	1/2	5/8	3/4
Material	Rigid or Soft ACR Acceptable			Rigid or Solid ACR Rated for R410A	
Min. Bend Radius (in)	.563	.9375	1.5	2.25	3.0
Min. Wall Thickness (in)	.031	.031	.031	.039	.039

Copper Expansion and Contraction

Under normal operating conditions, the vapor pipe temperature of a Multi F system can vary as much as 180°F. With this large variance in pipe temperature, the designer must consider pipe expansion and contraction to avoid pipe and fitting fatigue failures. Refrigerant pipe, along with the insulation jacket, form a cohesive unit that expands and contracts together. During system operation, thermal heat transfer occurs between the pipe and the surrounding insulation.

If the pipe is mounted in free air space, no natural restriction to movement is present if mounting clamps are properly spaced and installed. When the refrigerant pipe is mounted underground in a utility duct stacked among other pipes, natural restriction to linear movement is present. In extreme cases, the restrictive force of surface friction between insulating jackets could become so great that natural expansion ceases and the pipe is “fixed” in place. In this situation, opposing force caused by change in refrigerant fluid/vapor temperature can lead to pipe/fitting stress failure.

The refrigerant pipe support system must be engineered to allow free expansion to occur. When a segment of pipe is mounted between two fixed points, provisions must be provided to allow pipe expansion to naturally occur. The most common method is the inclusion of expansion Loop or U-bends mounted in the horizontal plane. When expansion loops are placed in a vertical riser, the loop is to be formed in a horizontal fashion resulting in a torsional movement during expansion and contraction. Each segment of pipe has a natural fixed point where no movement occurs. This fixed point is located at the center point of the segment assuming the entire pipe is insulated in a similar fashion. The natural fixed point of the pipe segment is typically where the expansion Loop or U-bend should be. Linear pipe expansion can be calculated using the following formula:
 $LE = C \times L \times (T_r - T_a) \times 12$

LE	=	Anticipated linear tubing expansion (in.)
C	=	Constant (For copper = 9.2×10^{-6} in./in.°F)
L	=	Length of pipe (ft.)
T _R	=	Refrigerant pipe temperature (°F)
T _a	=	Ambient air temperature (°F)
12	=	Inches to feet conversion (12 in./ft.)

1. From Table 337, find the row corresponding with the actual length of the straight pipe segment.
2. Estimate the minimum and maximum temperature of the pipe. Typical pipe temperature change range: High Pressure Vapor: ambient temperature to 215°F; Low Pressure Vapor: ambient to 35°F; Liquid pipe: ambient, 80°F, 110°F. Choose the two most extreme. In the column showing the minimum pipe temperature, look up the anticipated expansion distance. Do the same for the maximum pipe temperature.
3. Calculate the difference in the two expansion distance values. The result will be the anticipated change in pipe length.

Example:

A Multi F MAX system is installed and the design shows that there is a 100 foot straight segment of tubing between a Y-branch and a branch distribution unit. The system operates 24 hours per day. In heating, this pipe transports hot gas vapor to the indoor units at 120°F. In cooling, the same tube is a suction line returning refrigerant vapor to the outdoor unit at 40°F. Look up the copper tubing expansion at each temperature and calculate the difference.

Vapor Line

Transporting Hot Vapor: 100 ft. pipe at 120°F = 1.40 in.
 Transporting Suction Vapor: 100 ft. pipe at 40°F = 0.40 in.
 Anticipated Change in Length: 1.40 in. – 0.40 in. = 1.00 in.

Liquid Line

The liquid temperature remains the same temperature; only the direction of flow will reverse. Therefore, no significant change in length of the liquid line is anticipated.

When creating an expansion joint, the joint depth should be a minimum of two times the joint width. Although different types of expansion arrangements are available, the data for correctly sizing an expansion loop is provided in Table 338. Use soft copper with long radius bends on longer runs or long radius elbows for shorter pipe segments. Using the anticipated linear expansion (LE) distance calculated, look up the Expansion Loop or U-bend minimum design dimensions. If other types of expansion joints are chosen, design per ASTM B-88 Standards.

Table 337: Linear Thermal Expansion of Copper Tubing in Inches.

Pipe Length ¹	Fluid Temperature °F																			
	35°	40°	45°	50°	55°	60°	65°	70°	75°	80°	85°	90°	95°	100°	105°	110°	115°	120°	125°	130°
10	0.04	0.04	0.05	0.06	0.06	0.07	0.08	0.08	0.09	0.09	0.10	0.10	0.11	0.11	0.11	0.12	0.13	0.14	0.15	0.15
20	0.08	0.08	0.10	0.12	0.13	0.14	0.15	0.16	0.17	0.18	0.19	0.20	0.21	0.22	0.22	0.23	0.26	0.28	0.29	0.30
30	0.12	0.12	0.15	0.18	0.20	0.21	0.23	0.24	0.26	0.27	0.29	0.30	0.32	0.33	0.32	0.35	0.39	0.42	0.44	0.45
40	0.16	0.16	0.20	0.24	0.26	0.28	0.30	0.32	0.34	0.36	0.38	0.40	0.42	0.44	0.43	0.46	0.52	0.56	0.58	0.60
50	0.20	0.20	0.25	0.30	0.33	0.35	0.38	0.40	0.43	0.45	0.48	0.50	0.53	0.55	0.54	0.58	0.65	0.70	0.73	0.75
60	0.24	0.24	0.30	0.36	0.39	0.42	0.45	0.48	0.51	0.54	0.57	0.60	0.63	0.66	0.65	0.69	0.78	0.84	0.87	0.90
70	0.28	0.28	0.35	0.42	0.46	0.49	0.53	0.56	0.60	0.63	0.67	0.70	0.74	0.77	0.76	0.81	0.91	0.98	1.02	1.05
80	0.32	0.32	0.40	0.48	0.52	0.56	0.60	0.64	0.68	0.72	0.76	0.80	0.84	0.88	0.86	0.92	1.04	1.12	1.16	1.20
90	0.36	0.36	0.45	0.54	0.59	0.63	0.68	0.72	0.77	0.81	0.86	0.90	0.95	0.99	0.97	1.04	1.17	1.26	1.31	1.35
100	0.40	0.40	0.50	0.60	0.65	0.70	0.75	0.80	0.85	0.90	0.95	1.00	1.05	1.10	1.08	1.15	1.30	1.40	1.45	1.50
120	0.48	0.48	0.60	0.72	0.78	0.84	0.90	0.96	1.02	1.08	1.14	1.20	1.26	1.32	1.30	1.38	1.56	1.68	1.74	1.80
140	0.56	0.56	0.70	0.84	0.91	0.98	1.05	1.12	1.19	1.26	1.33	1.40	1.47	1.54	1.51	1.61	1.82	1.96	2.03	2.10
160	0.64	0.64	0.80	0.96	1.04	1.12	1.20	1.28	1.36	1.44	1.52	1.60	1.68	1.76	1.73	1.84	2.08	2.24	2.32	2.40
180	0.72	0.72	0.90	1.08	1.17	1.26	1.35	1.44	1.53	1.62	1.71	1.80	1.89	1.98	1.94	2.07	2.34	2.52	2.61	2.70

¹Pipe length baseline temperature = 0°F. "Expansion of Carbon, Copper and Stainless Steel Pipe," *The Engineers' Toolbox*, www.engineeringtoolbox.com.

Figure 55: Coiled Expansion Loops and Offsets (Plan View shown).

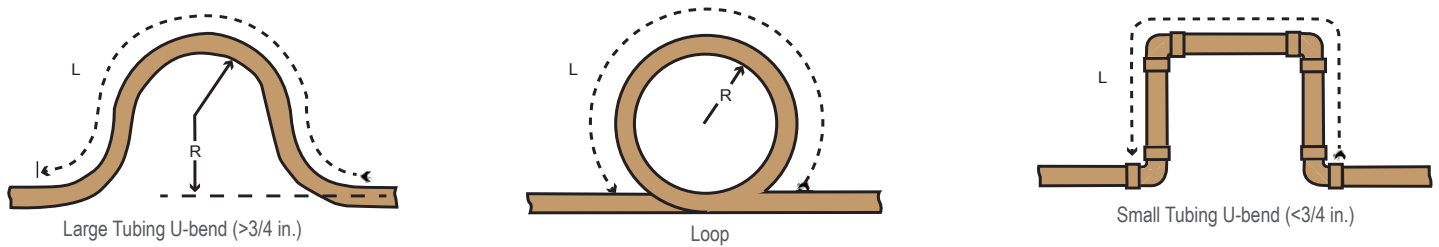


Table 338: Radii of Coiled Expansion Loops and Developed Lengths of Expansion Offsets.

Anticipated Linear Expansion (LE) (inches)		Nominal Tube Size (OD) inches			
		1/4	3/8	1/2	3/4
1/2	R ¹	6	7	8	9
	L ²	38	44	50	59
1	R ¹	9	10	11	13
	L ²	54	63	70	83
1-1/2	R ¹	11	12	14	16
	L ²	66	77	86	101
2	R ¹	12	14	16	19
	L ²	77	89	99	117
2-1/2	R ¹	14	16	18	21
	L ²	86	99	111	131
3	R ¹	15	17	19	23
	L ²	94	109	122	143
3-1/2	R ¹	16	19	21	25
	L ²	102	117	131	155
4	R ¹	17	20	22	26
	L ²	109	126	140	166

¹R = Centerline Length of Pipe.

²L = Centerline Minimum Radius (inches).

Note:

All expansion Loops and Offsets should be installed in the horizontal plane to prevent the possibility of trapping oil. Loops and Offsets in vertical risers should also be installed in a horizontal plane.

Field-Provided Isolation Ball Valves

LG recommends installing field-supplied ball valves with Schrader ports at each indoor unit. Full-port isolation ball valves with Schrader ports (positioned between valve and indoor unit) rated for use with R410A refrigerant should be used on both the liquid and vapor lines.

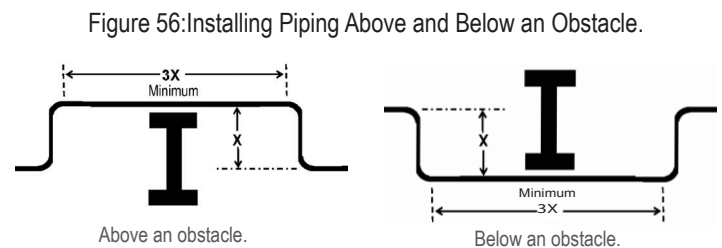
If valves are not installed and a single indoor unit needs to be removed or repaired, the entire system must be shut down and evacuated. If isolation ball valves are installed, and an indoor unit needs to be repaired, the unaffected indoor units can remain operational with the proper combination ratio. Reclamation of refrigerant, then, can be restricted to a single indoor unit.

For Multi F MAX systems, position valves with a minimum distance of three (3) to six (6) inches of pipe on either side of the valve, and placed between six (6) and twelve (12) inches from the first upstream Y-branch or branch distribution unit. If ball valves are installed away from the first Y-branch and / or branch distribution unit and closer to the indoor unit, oil may accumulate where it cannot be returned to the outdoor unit and may cause a shortage of oil in the compressor.

Valves shall be easily accessible for service. If necessary, install drywall access doors or removable ceiling panels, and position the valves to face the access door or ceiling panel opening. Mount valves with adequate space between them to allow for placement of adequate pipe insulation around the valves. Recommended best practice is to clearly label and document locations of all service valves, Y-branches, and branch distribution units. The equivalent pipe length of each ball valve must be added to each pipe segment entered into the LATS program.

Obstacles

When an obstacle, such as an I-beam or concrete T, is in the path of the planned refrigerant pipe run, it is best practice to route the pipe over the obstacle. If adequate space is not available to route the insulated pipe over the obstacle, then route the pipe under the obstacle. In either case, it is imperative the horizontal section of pipe above or below the obstacle be a minimum of three (3) times greater than the longest vertical rise (or fall) distance.



Pipe Slope

The horizontal pipe slope cannot exceed 10° up or down.

In-line Refrigeration Components

Components such as oil traps, solenoid valves, filter-dryers, sight glasses, tee fittings, and other after-market accessories are not permitted on the refrigerant piping system between the outdoor units and the indoor / branch distribution units. Multi F and Multi F MAX systems are provided with redundant systems that assure oil is properly returned to the compressor. Sight-glasses and solenoid valves may cause vapor to form in the liquid stream. Over time, dryers may deteriorate and introduce debris into the system. The designer and installer should verify the refrigerant piping system is free of traps, sagging pipes, sight glasses, filter dryers, etc.

No Pipe Size Substitutions

Use only the pipe size selected by the LATS Multi pipe system design software or as conveyed in the product installation instructions. Using a different size is prohibited and may result in a system malfunction or failure to work at all.

Inserts and Pipe Supports

Inserts

An insert can be installed into a floor or beam before the concrete sets so that fittings such as ducts, pipes, or suspension bolts can be added at a later time. Decide where the inserts should be placed before support installation.

Pipe Supports

Note:

A properly installed pipe system should be adequately supported to avoid pipe sagging. Sagging pipes become oil traps that lead to equipment malfunction.

Pipe supports should never touch the pipe wall; supports shall be installed outside (around) the primary pipe insulation jacket. Insulate the pipe first because pipe supports shall be installed outside (around) the primary pipe insulation jacket. Clevis hangers should be used with shields between the hangers and insulation.

Field provided pipe supports should be designed to meet local codes. If allowed by code, use fiber straps or split-ring hangers suspended from the ceiling on all-thread rods (fiber straps or split ring hangers can be used as long as they do not compress the pipe insulation). Place a second layer of insulation over the pipe insulation jacket to prevent chafing and compression of the primary insulation within the confines of the support pipe clamp.

A properly installed pipe system will have sufficient supports to avoid pipes from sagging during the life of the system. As necessary, place supports closer for segments where potential sagging could occur. Maximum spacing of pipe supports shall meet local codes. If local codes do not specify pipe support spacing, pipe shall be supported a maximum of 5 feet on center for straight segments of pipe up to 3/4" outside diameter size.

Wherever the pipe changes direction, place a hanger within twelve (12) inches on one side and within twelve to nineteen (12 to 19) inches of the bend on the other side. Support piping at indoor units as shown. Support Y-Branch fittings as shown.

Figure 60: Pipe Support at Indoor Unit.

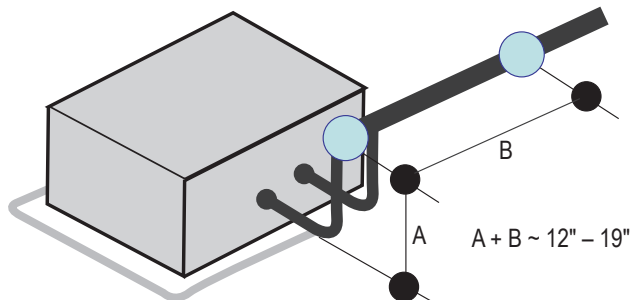


Figure 61: Pipe Support at Y-branch Fitting.

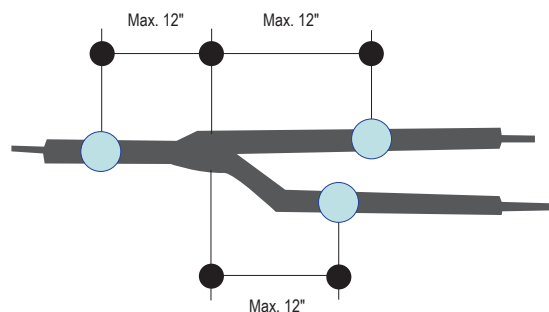


Figure 57: Installing an Insert Into a Concrete Beam.

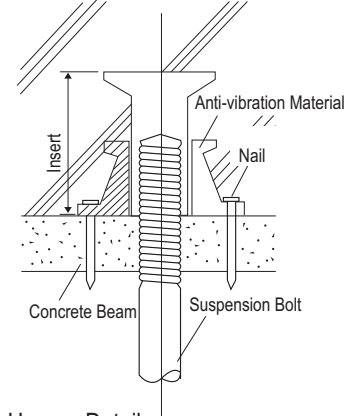


Figure 58: Pipe Hanger Details.

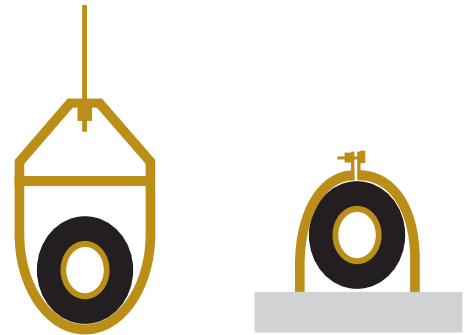
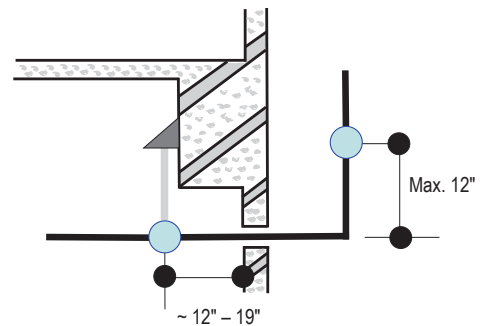


Figure 59: Typical Pipe Support Location—Change in Pipe Direction.



Examples of Supports

Figure 62: U-Bolt Support with Insulation.

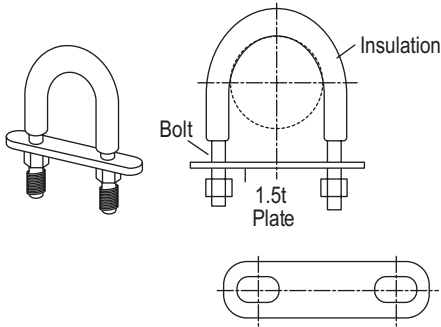


Figure 63: O-Ring Support with Insulation.

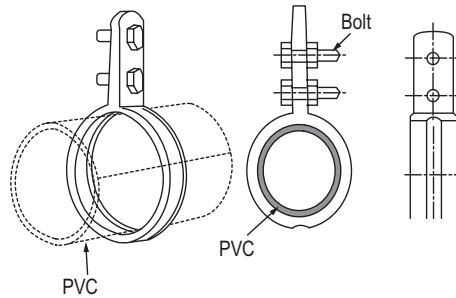
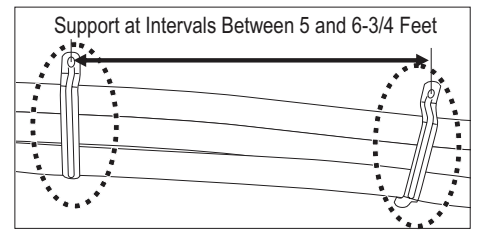


Figure 64: Saddle-Type Support.



Note:

Do not compress the insulation with the saddle-type support. If the insulation is compressed, it may tear open and allow condensation to generate during product operation.

Figure 65: U-Bolt Support with an Insulated Pipe.

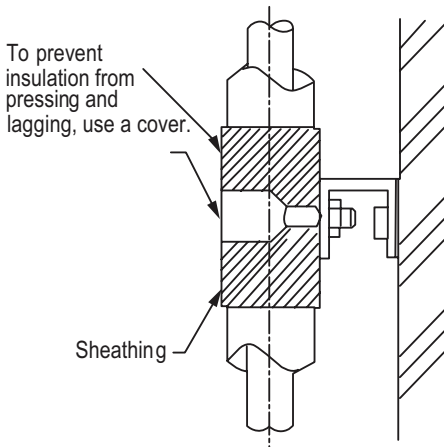


Figure 66: O-Ring Band Support with an Insulated Pipe.

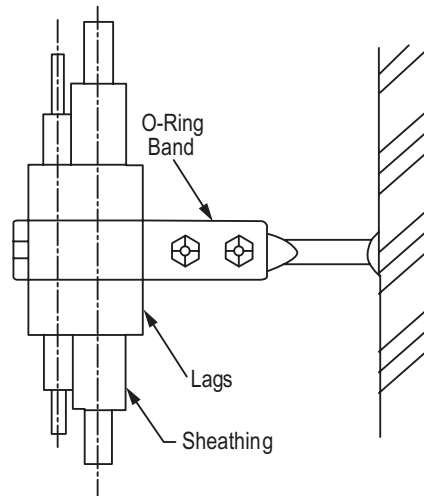


Figure 67: One-Point Down-Stop Support (>441 lbs.).

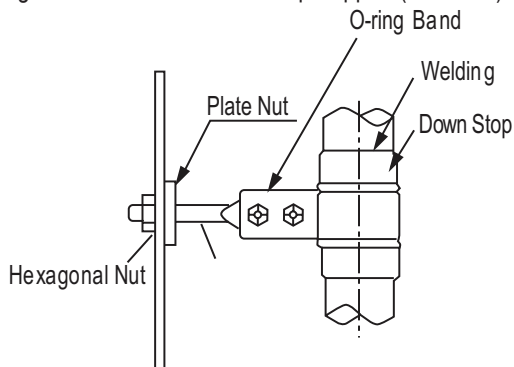
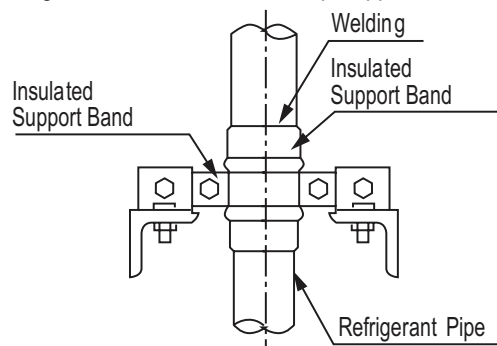


Figure 68: Two-Point Down-Stop Support.



Pipe Sleeves at Penetrations

LG requires that all pipe penetrations through walls, floors, and pipes buried underground be routed through a properly insulated sleeve that is sufficiently sized to provide free movement of the pipe and does not compress the insulation. Underground refrigerant pipe shall be routed inside a protective sleeve to prevent insulation deterioration. Also follow federal, state, and local regulations and codes when choosing a sleeve type.

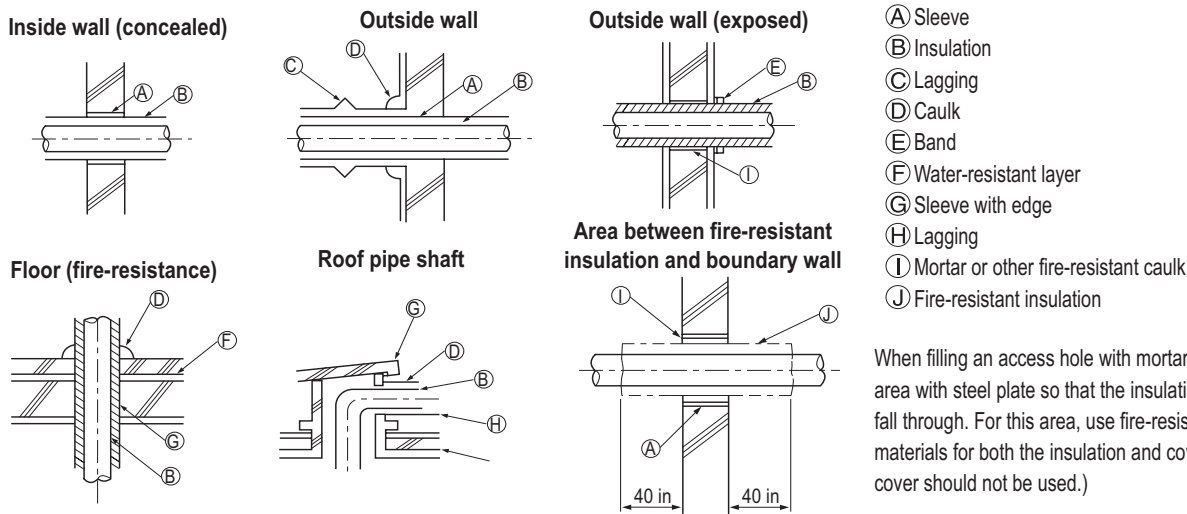
Note:

Diameter of penetrations shall be determined by pipe diameter plus the thickness of the insulation.

For example:

Diameter of Gas Piping:	1/2"
Diameter of Liquid Piping:	1/4"
Thickness of Gas Piping Insulation:	0.4" x 2
Thickness of Liquid Piping Insulation:	0.4" x 2
Surplus:	0.8"
Sleeve diameter (total):	3.1" minimum

Figure 69: Pipe Sleeve Options.



When filling an access hole with mortar, cover the area with steel plate so that the insulation will not fall through. For this area, use fire-resistant materials for both the insulation and cover. (Vinyl cover should not be used.)

Underground Refrigerant Piping

Refrigerant pipe installed underground should be routed inside a vapor tight protective sleeve to prevent insulation deterioration and water infiltration. Refrigerant pipe installed inside underground casing must be continuous without any joints. Underground refrigerant pipe must be located at a level below the frost line.

Table 339: Utility Conduit Sizes.

Liquid Pipe ¹	Vapor Pipe ¹		
	1/2 (2.0 ^{2,5})	5/8 (2-1/8 ^{2,5})	3/4 (2-1/4 ^{2,5})
1/4 (1.0) ³	4	4	4
3/8 (1-1/8) ³	4	4	5
1/2 (1-1/2) ⁴	5	5	5
5/8 (1-5/8) ⁴	5	5	5
3/4 (1-3/4) ⁴	5	5	5

¹OD pipe diameter in inches; Values in parenthesis () indicate OD of pipe with insulation jacket.

²Diameter of pipe with insulation. Thickness of pipe insulation is typical. Actual required thickness may vary based on surrounding ambient conditions and should be calculated and specified by the design engineer.

³Insulation thickness (value in parenthesis) = 3/8 inch.

⁴Insulation thickness (value in parenthesis) = 1 inch.

⁵Insulation thickness (value in parenthesis) = 3/4 inch.

Figure 70: Typical Arrangement of Refrigerant Pipe and Cable(s) in a Utility Conduit.

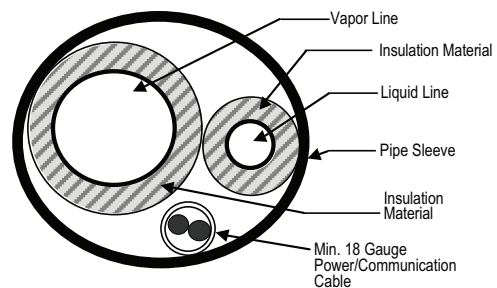


Figure 71: Underground Refrigerant Piping.



Multi F Outdoor Unit to Indoor Unit Piping Connections

Note:

Avoid Pipe Damage

- When routing field-provided piping, avoid damaging the outdoor unit from excessive vibration.
- Correctly route the piping so it does not make contact with mounting bolts. Allow room for field installation.
- Properly insulate the liquid and gas lines separately up to the point of connection at the unit frame.
- See table below for Multi F outdoor unit connection types.

Figure 72: Multi F Refrigerant Pipe Connections (LMU36CHV shown as example).

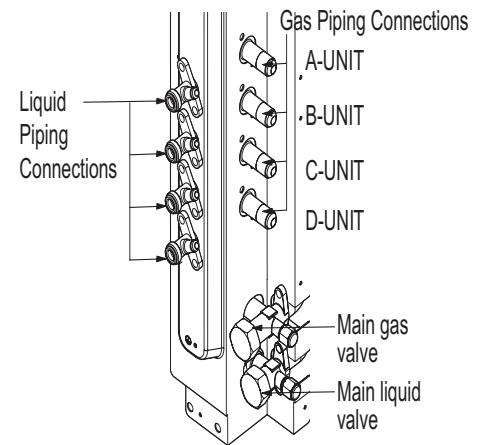


Table 340: Outdoor Unit Piping Connections.

Outdoor Unit Piping Connections	LMU18CHV	LMU24CHV	LMU36CHV
Liquid Line Connection (in., OD) x Qty.	1/4 x 2	1/4 x 3	1/4 x 4
Vapor Line Connection (in., OD) x Qty.	3/8 x 2	3/8 x 3	3/8 x 4

Table 341: Indoor Unit Pipe Sizes.

Indoor Unit Capacity	Vapor Line Connection (in., OD)	Liquid Line Connection (in., OD)
7,000 Btu/h	Ø3/8	Ø1/4
9,000 Btu/h		
12,000 Btu/h		
15,000 Btu/h		
18,000 Btu/h	Ø1/2	
24,000 Btu/h		

Table 343: Indoor Unit Piping Connections.

Indoor Unit Capacity	Vapor Line Connection (in., OD)	Liquid Line Connection (in., OD)
7,000 Btu/h	Ø3/8	Ø1/4
9,000 Btu/h		
12,000 Btu/h		
15,000 Btu/h		
18,000 Btu/h	Ø5/8	Ø3/8
24,000 Btu/h	Ø1/2	Ø1/4

Connection sockets (included as a factory-supplied accessory with the indoor units) may need to be used when piping the indoor units to the outdoor unit.

Table 342: Connection Socket Dimensions.

Indoor Unit Capacity	Vapor (in., OD)		Liquid (in., OD)	
	A	B	A	B
18,000 Btu/h	Ø3/8 → Ø1/2	Ø1/2 → Ø5/8	Ø1/4 → Ø5/8	
24,000 Btu/h	Ø3/8 → Ø1/2		N/A	

Figure 73: Connection Socket Diagram.

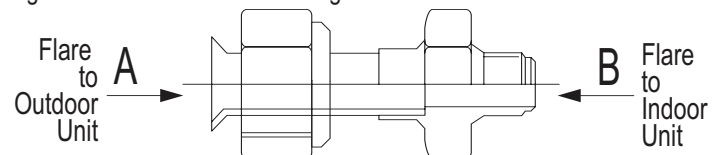
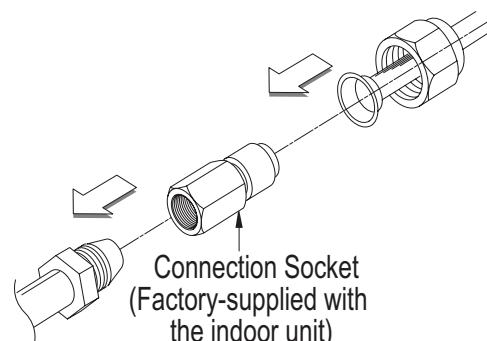


Figure 74: Performing Connections.



Using the Connection Socket

1. Align the center of the piping sections and tighten the flare nut by hand.
2. Tighten the flare nut with a torque wrench, using the arrows on the wrench as a guide, until a click is heard.

Multi F MAX Outdoor Unit System Piping Connections

Note:

Avoid Pipe Damage

- When routing field-provided piping, avoid damaging the outdoor unit from excessive vibration.
- Correctly route the piping so it does not make contact with mounting bolts. Allow room for field installation.
- Properly insulate the liquid and gas lines separately up to the point of connection at the unit frame.
- See table below for Multi F MAX outdoor unit connection types.

Table 344: Outdoor Unit Piping Connections.

Outdoor Unit Piping Connections	LMU540HV
Liquid Line Connection (in., OD) x Qty.	3/8 x 1
Vapor Line Connection (in., OD) x Qty.	3/4 x 1

Branch Distribution to Indoor Unit Piping Connections

- Install indoor unit liquid and vapor refrigerant pipes (and connection wiring) to the appropriate branch distribution ports.
- Clearly note on the indoor unit's refrigerant piping (liquid, vapor) which branch distribution port it is connected to (A, B, C, D).

Table 345: Branch Distribution Unit Piping Connections.

Branch Distribution Unit	PMBD3620	PMBD3630	PMBD3640	PMBD3641
<i>Piping Connections to Outdoor Unit</i>				
Liquid (in., OD) x Qty.	Ø3/8 x 1			
Vapor (in., OD) x Qty.	Ø3/4 x 1			
<i>Piping Connections to Indoor Units</i>				
Liquid (in., OD) x Qty.	Ø1/4 x 2	Ø1/4 x 3	Ø1/4 x 4	Ø1/4 x 3, Ø3/8 x 1
Vapor (in., OD) x Qty.	Ø3/8 x 2	Ø3/8 x 3	Ø3/8 x 4	Ø3/8 x 3, Ø5/8 x 1

Figure 75: Branch Distribution Ports to Indoor Units.

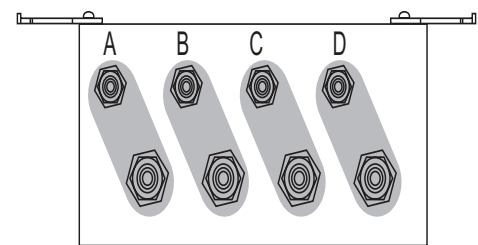


Table 348: Indoor Unit Pipe Sizes.

Indoor Unit Capacity	Vapor Line Connection (in., OD)	Liquid Line Connection (in., OD)
7,000 Btu/h	Ø3/8	Ø1/4
9,000 Btu/h		
12,000 Btu/h		
15,000 Btu/h		
18,000 Btu/h	Ø1/2	Ø3/8
24,000 Btu/h		
36,000 Btu/h		

Table 346: Indoor Unit Piping Connections.

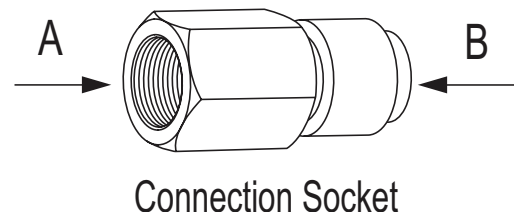
Indoor Unit Capacity	Vapor Line Connection (in., OD)	Liquid Line Connection (in., OD)
7,000 Btu/h	Ø3/8	Ø1/4
9,000 Btu/h		
12,000 Btu/h		
15,000 Btu/h		
18,000 Btu/h	Ø5/8	Ø3/8
24,000 Btu/h	Ø1/2	Ø1/4
36,000 Btu/h	Ø5/8	Ø3/8

Connection sockets (included as a factory-supplied accessory with the indoor units) may need to be used when piping the indoor units to the branch distribution unit.

Table 347: Connection Socket Dimensions.

Indoor Unit Capacity	Vapor (in., OD)		Liquid (in., OD)	
	A	B	A	B
18,000 Btu/h	Ø3/8 → Ø1/2, Ø1/2 → Ø5/8		Ø1/4 → Ø3/8	
24,000 Btu/h	Ø3/8 → Ø1/2		N/A	
36,000 Btu/h	Ø1/2 → Ø5/8		Ø1/4 → Ø3/8	

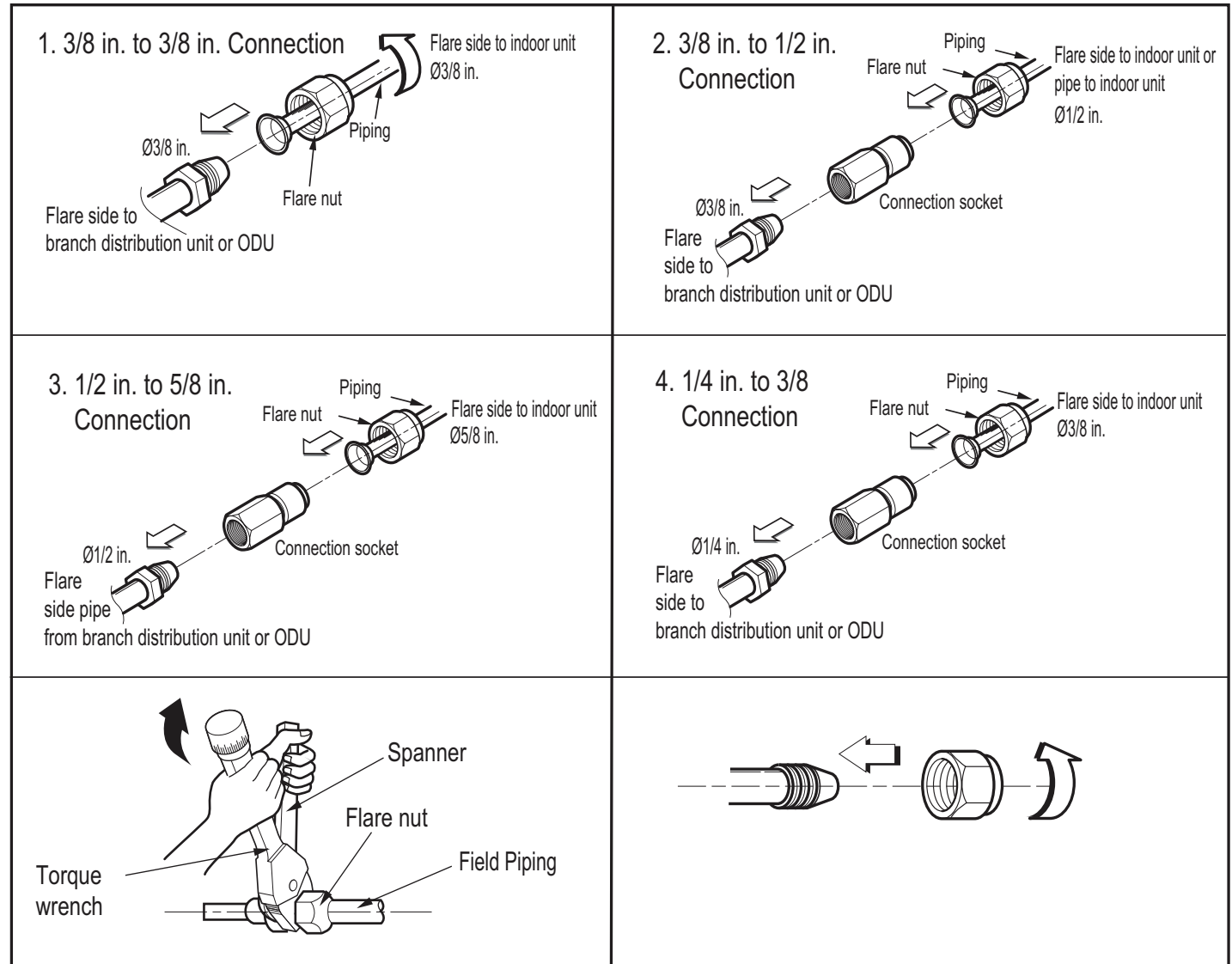
Figure 76: Connection Socket Diagram.



Multi F MAX Outdoor Unit System Piping Connections, continued.

1. Align the center of the piping sections and tighten the flare nut by hand.
2. Tighten the flare nut with a torque wrench, using the arrows on the wrench as a guide, until a click is heard.
3. Wrap insulation around the connection.

Figure 77: Possible Outdoor Unit or Branch Distribution Unit to Indoor Unit Connections.



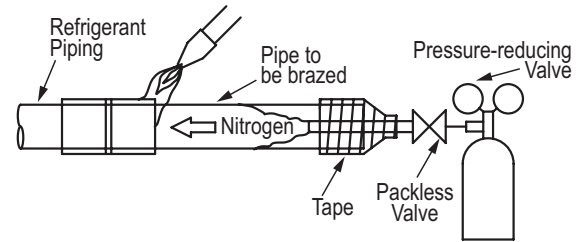
Brazing Practices

Note:

Keep the piping system free of contaminants and debris such as copper burrs, slag, or carbon dust during installation.

1. All joints are brazed in the field. Multi F refrigeration system components contain very small capillary tubes, small orifices, electronic expansion valves, oil separators, and heat exchangers that can easily become blocked.
 - Store pipe stock in a dry place; keep stored pipe capped and clean.
 - Blow clean all pipe sections with dry nitrogen before assembly.
2. Proper system operation depends on the installer using best practices and utmost care while assembling the piping system.
 - Use adapters to assemble different sizes of pipe.
 - Do not use flux, soft solder, or anti-oxidant agents.
 - Use a tubing cutter; do not use a saw to cut pipe. De-burr and clean all cuts before assembly.

Figure 78: Refrigerant Pipe Brazing.



3. Brazing Joints:

- Use a dry nitrogen purge operating at a minimum pressure of three (3) psig and maintain a steady flow.
- Use a 15% silver phosphorous copper brazing alloy to avoid overheating and produce good flow.
- Protect isolation valves, electronic expansion valves, and other heat-sensitive control components from excessive heat with a wet rag or a heat barrier spray product

Flare Connection Practices

Note:

Improperly installed flare connections can lead to refrigerant leaks.

1. Place a couple of drops of refrigerant oil on the opening rim of the flare before assembling. Take care not to add any contaminants.
2. Align the center of the refrigerant pipe and corresponding connection and tighten the flare nut by hand.
3. Following the guidelines as outlined in Table 347 for the amount of torque to use, tighten the flare nut with a torque wrench until the wrench clicks.
4. When flare is sufficiently tightened and the system has been tested for refrigerant leaks, wrap insulation around the connection.

Figure 79: Flare Connection, Isometric View.

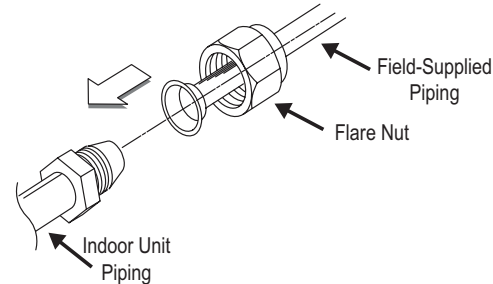
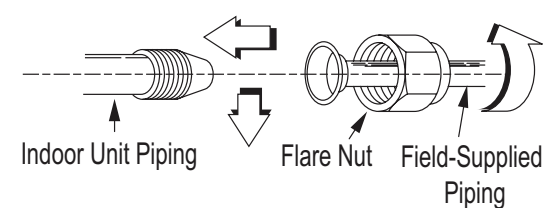


Figure 80: Flare Connection, Side View.



Note:

When tightening the flare unit with a torque wrench, ensure the direction for tightening follows the arrow on the wrench.

Figure 81: Using the Torque Wrench.

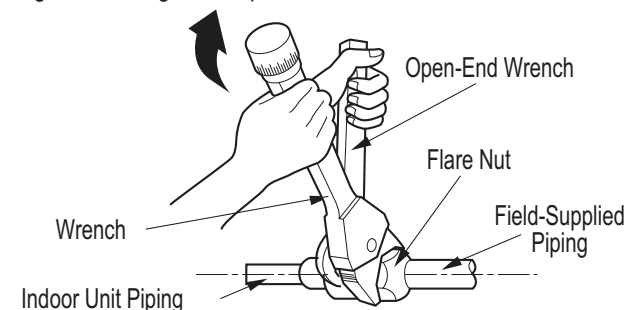


Table 349: Torque Wrench Tightening.

Piping O.D. (in.)	Torque (lbs. / ft.)
1/4	13-18
3/8	24.6-30.4
1/2	39.8-47.7
5/8	45.6-59.3
3/4	71.6-87.5

Refrigerant Piping System Insulation

All refrigerant piping including Y-branch connections, field-provided isolation ball valves, service valves, and elbows shall be completely insulated using closed cell pipe insulation.

To prevent heat loss/heat gain through the refrigerant piping, all refrigerant piping including liquid lines and vapor lines shall be insulated separately. Insulation shall be a minimum 1/2" thick, and thickness may need to be increased based on ambient conditions and local codes.

All insulation joints shall be glued with no air gaps. Insulation material shall fit snugly against the refrigeration pipe with no air space between it and the pipe. Insulation passing through pipe hangers, inside conduit, and/or sleeves must not be compressed. Protect insulation inside hangers and supports with a second layer. All pipe insulation exposed to the sun and outdoor elements shall be properly protected with PVC, aluminum vapor barrier, or alternatively placed in a weather-resistant enclosure such as a pipe rack with a top cover; and meet local codes. Pay special attention to insulating the pipes installed in the ceiling plenum.

LG-provided Y-branches are shipped from the factory with pre-formed peel-and-stick foam insulation jackets, with a 1.84 lb./ft.³ density, 1/2" thickness, and meet UL94 MF-1 flammability.

The design engineer should perform calculations to determine if the factory-supplied insulation jackets are sufficient to meet local codes and avoid sweating. Maximum refrigerant piping temperature is +227°F; minimum refrigerant piping temperature is -4°F. Add additional insulation if necessary. Check the fit of the insulation jacket after the header fitting and all run-out pipes are installed. Mark all pipes at the point where the insulation jacket ends. Remove the jacket. Install field provided insulation on the run-out and main trunk pipes first. Install the LG-provided insulation plugs on the ends of all unused header ports. Peel the adhesive glue protector slip from the insulation jacket and install the clam-shell jacket over the fitting.

Minimum Refrigerant Pipe Ethylene Propylene Diene Methylene (EPDM) Insulation Wall Thickness Requirements

Note:

Follow local codes when selecting EPDM insulation wall thickness.

Table 350: Insulation Guidelines for Typical and Special Circumstances.

Classification		Air-conditioned location		Non-air conditioned location	
		1. Typical location	2. Special location	3. Typical location	4. Special location
Liquid pipe	ø1/4 inches	1/2 inches	1/2 inches	1/2 inches	1/2 inches
	ø3/8 inches				
	≥ø1/2 inches				
Vapor pipe	ø3/8 inches	1/2 inches	3/4 inches	3/4 inches	1 inch
	ø1/2 inches				
	ø5/8 inches				
	ø3/4 inches				

1. Air-conditioned, Typical location: When the piping passes through an indoor area where the indoor unit operates.

- Apartment, classroom, office, mall, hospital, etc.

2. Air-conditioned, Special location

1. When the location is air conditioned, but there is severe temperature/humidity difference due to high ceilings
 - Church, auditorium, theater, lobby, etc.
2. When the location is air conditioned, but internal temperature/humidity are high
 - Bathroom, swimming pool, locker room, etc.

3. Non-air conditioned, Typical location: When the piping passes through an indoor area where the indoor unit does not operate.

- Hallway or a dormitory or school, etc.

4. Non-air conditioned, Special location: If conditions 1 and 2 below are present.

1. When the piping passes through an indoor area where the indoor unit does not operate.
2. When the humidity is high and there is no air flow in the location where the piping is installed.
 - The thickness of the above insulation material is based on heat conductivity of 0.61 Btu/in/h/ft²/°F.

Condensate Drain Piping

Outdoor Units

Outdoor unit requires condensate drain piping. Condensate drain pipe is constructed with materials approved by local code. See pages 353 to 358 for information in reference to outdoor unit placement and condensate drainage.

Indoor Units

All indoor units generate water during cooling operation, therefore, how to properly handle this condensation must be considered. Some indoor units include factory-installed drain pumps; others apply the gravity drain method.

Depending on the location of the indoor unit, condensation can be drained directly to the outside of the building, or a common indoor unit drainage piping system can be installed, both incorporating PVC piping.

Table 351: Indoor Unit Drain Piping Specifications.

Indoor Unit	Drain Type	Drain Pipe Diameter (OD / ID, in.)	Drain Amount (gal. / min. at 0.033 ft. height)
Art Cool Wall-Mounted	Gravity	13/16 / 5/8	—
Art Cool Gallery	Gravity	13/16 / 5/8	—
Standard Wall-Mounted	Gravity	13/16 / 5/8	—
Ceiling-Concealed Ducted (Low Static and High Static)	27-1/2 in. Lift Drain Pump, Factory Installed	Ø1-1/4 / Ø1	0.105
Four-Way Ceiling Cassette	27-1/2 in. Lift Drain Pump, Factory Installed	Ø1-1/4 / Ø1	0.105
Vertical-Horizontal Air Handling Unit	Gravity	Ø3/4 / —	—

Figure 82: Diagram of an Indoor Unit with a Gravity Drain.

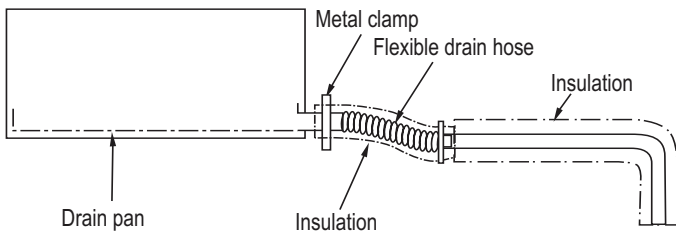
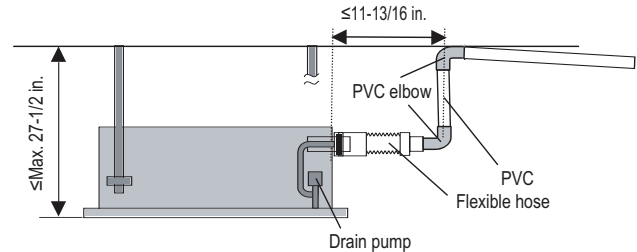


Figure 83: Diagram of an Indoor Unit with a Drain Pump.



Note:

Ensure the indoor unit, refrigerant piping, power wiring / communication cables, and drain piping is properly supported with anchor bolts and clamp hangers positioned at 3.3 to 4.9 foot intervals.

Flexible Drain Hose

Some indoor units include a factory-provided flexible drain pipe for installation.

- Install the flexible drain pipe as straight as possible; sharp angles may cause the pipe to deteriorate and may crack over time.
- Connect the flexible drain pipe with a round clamp. If the flexible drain pipe is not installed properly, water will leak from the connection.
- Do not include a reverse slope in the drain connection.

Figure 84: Flexible Drain Hose Connection.

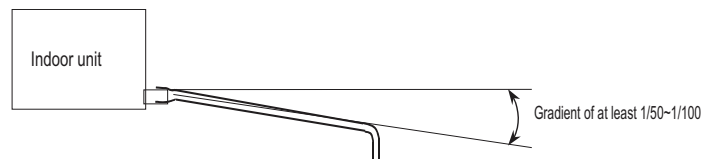


Clamp the Flexible Drain Hose Connection

Drainage Gradient

The gradient for drain piping should be at least 1/50 to 1/100. Ensure any holes through ceilings, walls, etc., are large enough to accommodate both the drain piping and any insulation.

Figure 85: Drain Piping Gradient Recommendation.

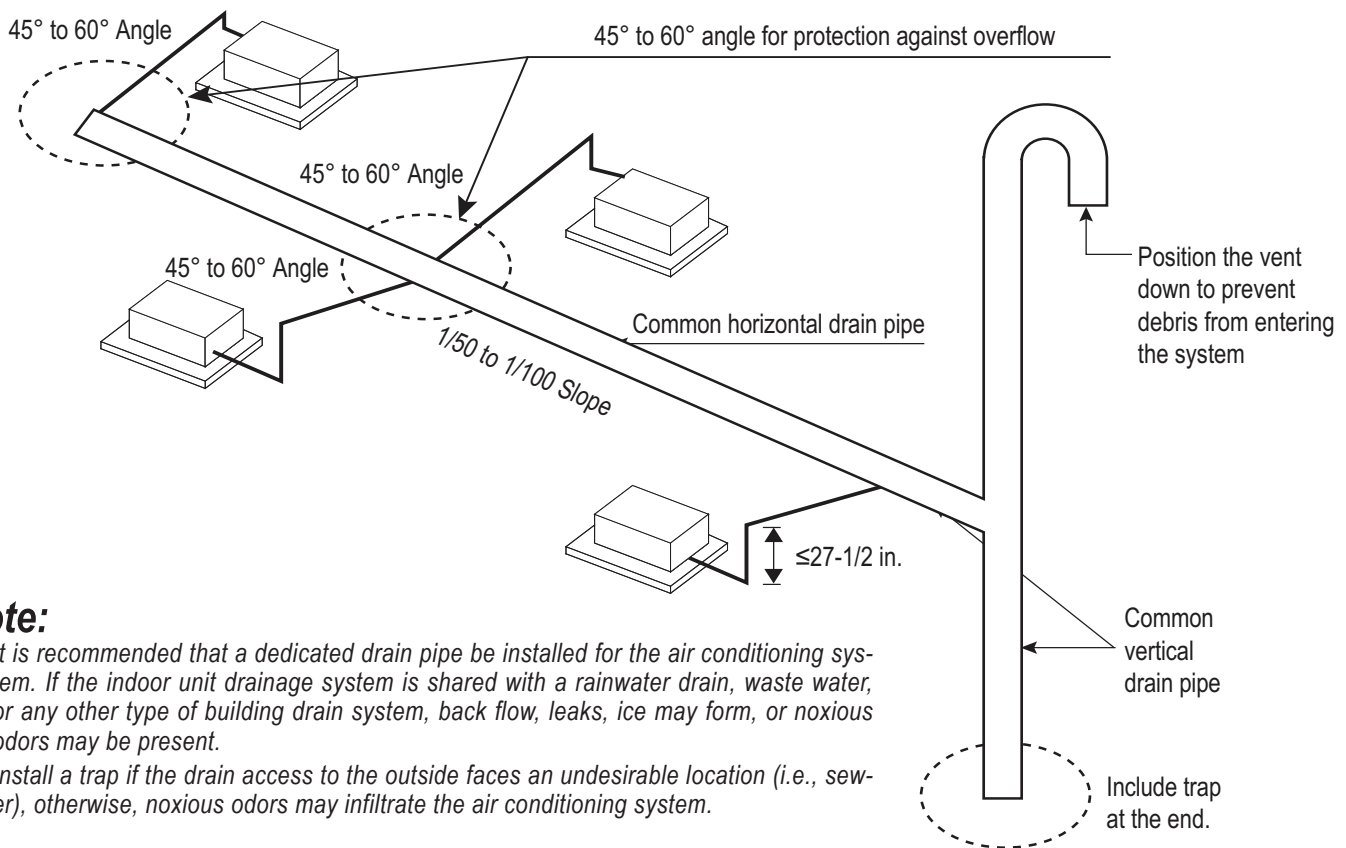


Condensate Drain Piping

Common Indoor Unit Drainage System

It is usual work practice to connect individual indoor unit drain pipes to one common indoor unit drainage system. The diameter of the common vertical drain pipe should be as large as necessary. (For systems with <80,000 Btu/h total capacity of all connected indoor units, the standard size for the common vertical drain pipe is 0.98 ID, in. and 1.26 OD, in.) The diameter of the horizontal pipe should be the same or larger than the vertical drain pipe. To avoid property damage in the event of the primary drain becoming clogged, and to optimize drain system performance, it may be prudent to install a secondary drain line. Design the drain system to plan for winter operation (condensate line may freeze up if condensate does not properly drain away). Drain all generated condensate from the external condensate pan to an appropriate area. Install a trap in the condensate lines as near to the indoor unit coil as possible; to prevent overflow the outlet of each trap should be positioned below its connection to the condensate pan. All traps should be primed, insulated, and leak tested if located above an inhabited space.

Figure 86: Example of a Common Indoor Unit Drainage System.



Note:

- It is recommended that a dedicated drain pipe be installed for the air conditioning system. If the indoor unit drainage system is shared with a rainwater drain, waste water, or any other type of building drain system, back flow, leaks, ice may form, or noxious odors may be present.
- Install a trap if the drain access to the outside faces an undesirable location (i.e., sewer), otherwise, noxious odors may infiltrate the air conditioning system.

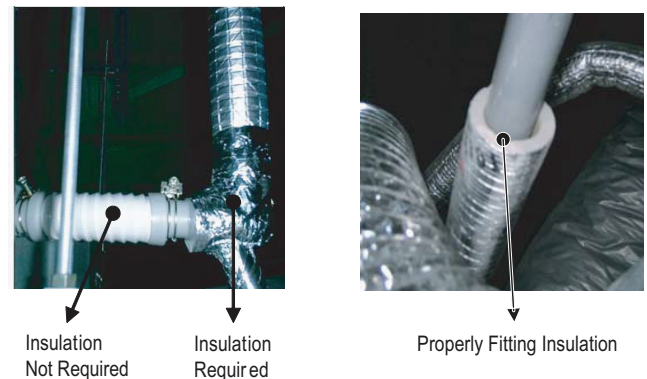
Drain Leak Test

A leak test should be performed 24 hours after the drainage system has been installed. Only use water for the test; other liquids are unacceptable.

Drain Pipe Insulation

To prevent condensate from forming on the drain piping, install field-supplied 0.4 inch thick polyethylene. The insulation should be securely fastened with all connected joints and ends properly covered.

Figure 87: Properly Insulating the Drainage Piping.



- LG Y-Branch Kit PMBL5620 is required when installing two branch distribution units in parallel on one LG Multi F MAX system.
- The kit must be properly installed following instructions in the applicable LG manual. Field-supplied branch fittings are not permitted.
- Kit components must be kept free of debris and be dry before installation.
- All Y-Branch Kits include a clam shell, peel-and-stick insulation jacket.

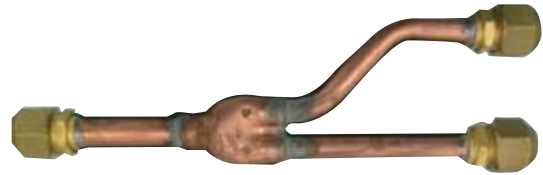


Table 352:Fitting Properties.

Material	Copper
Design Pressure	551 psig

Table 353: Multi F MAX Y-Branch Connection Diameters.

Model	Y-Branch Type	Port Identifier (inch)		
		1	2	3
PMBL5620	Liquid	Ø3/8	Ø3/8	Ø3/8
	Vapor	Ø3/4	Ø3/4	Ø3/4
	Y-Branch Type	Dimensions (inch)		
		X	Y	
	Liquid	13.80	3.24	
	Vapor	12.48	3.02	

Figure 88:Y-Branch Port Identifier Diagram.

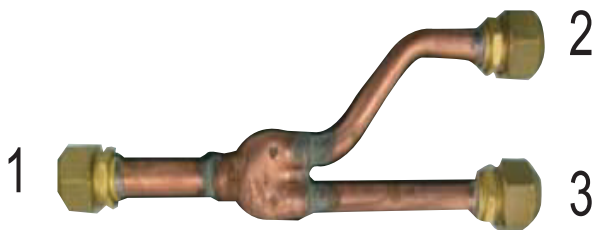


Figure 89:Y-Branch Dimensions Diagram.

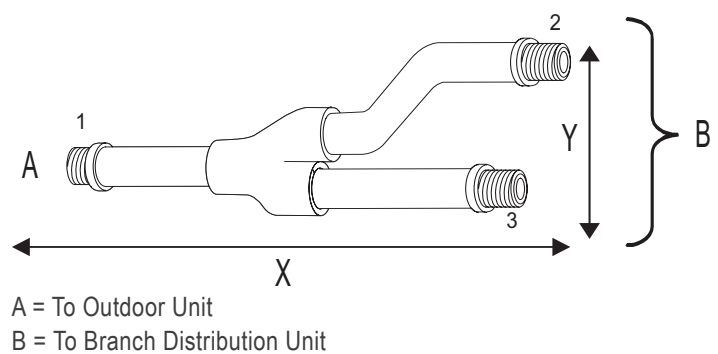
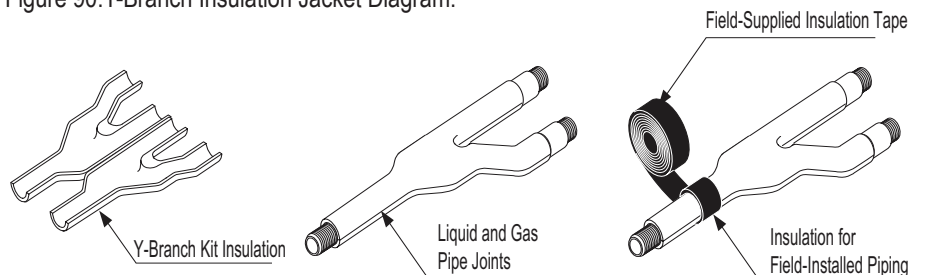


Table 354: Insulation Jacket Properties.

Material	Polyolefin Foam
UL94 Flame Classification	HF-1
Density	1.84 lbs./ft. ³
Thermal Conductivity	.0208 Btu/h/ft. °R
Thickness	1/2 inch

Figure 90:Y-Branch Insulation Jacket Diagram.



WIRING CONNECTIONS

“General Information” on page 382

**“Power Wiring (208-230V) and Communications Cable
Details” on page 365**

“Indoor Unit Group Control” on page 390

⚠ WARNING

- Only qualified technicians—in accordance with federal, state, and local codes, and manufacturer product diagrams and requirements—should install the power wiring and communication cables.
- Use only copper wiring that is stranded, shielded with the wires separately insulated.
- Do not use a multi-conductor cable with more than five (5) wires in one (1) core.
- Power wiring and communications cable sizes must comply with applicable federal UL / ETL, state, and local codes.
- Verify that the branch switch and circuit breaker are set to OFF before installing the wiring system.
- Do not operate the air conditioning system until the refrigerant piping installation is complete. Operating the system before refrigerant piping is finalized may damage the compressor.
- Install a ground wire for the outdoor units, indoor units, and branch distribution units.
- Install a main shutoff switch or circuit breaker that interrupts all power sources simultaneously (circuit breaker should be resistant to electromagnetic currents).
- To avoid the possibility of explosion, fire, etc., do not connect the ground wiring to gas or sewage pipes, lightning rods, and telephone wires. Use clamps to prevent the wires from touching the piping.
- Use ring terminals to attach the wiring. Verify that all power wiring and communications cable terminals are securely attached; ensure enough slack is included in the wiring and cables to avoid damaging the connections.
- Use a conduit to protect the power wiring.
- Do not install a phase-advancing capacitor; the outdoor unit may overheat.

Power Wiring and Communications Cable Installation

For both Multi F and Multi F MAX systems, power is wired to the outdoor unit only. The outdoor unit will supply power to the branch distribution units (Multi F MAX systems only) and the indoor units through the power wiring / communications cable.

Electrical Specifications

1. Multi F and Multi F MAX Outdoor Units: 1Ø, 208-230V, 60Hz
2. Indoor units / Branch Distribution Units (Multi F MAX systems only): 1Ø, 208-230V, 60Hz from the outdoor unit (Indoor units draw minimal power.)
3. Power supply wire type and size should be selected based on NEC and local codes. Maximum allowable voltage fluctuation $\pm 10\%$ of the nameplate rated value.
4. Properly ground the outdoor unit per NEC and / or local code.
5. Use only copper wiring that is stranded and shielded with the wires separately insulated.

Power Wiring / Communications Cable Specifications

- From Multi F Outdoor Units to Indoor Units = 4 x 18AWG
- From Multi F MAX Outdoor Units to Branch Distribution Units = 4 x 16AWG
- From Multi F MAX Branch Distribution Units to Indoor Units = 4 x 18AWG
- Maximum Allowable Temperature for Wiring: 194°F
- Multi F System Maximum Cable Length: 82 ft.
- Multi F MAX System Maximum Cable Length:
 - Outdoor Unit to Branch Distribution Unit(s): 180.4 ft.
 - Branch Distribution Unit(s) to Indoor Unit(s): 49.2 ft.
- Indoor Unit(s) to Wired Controller: Three-core cable

Figure 91: Power Wiring to Multi F and Multi F MAX ODU.

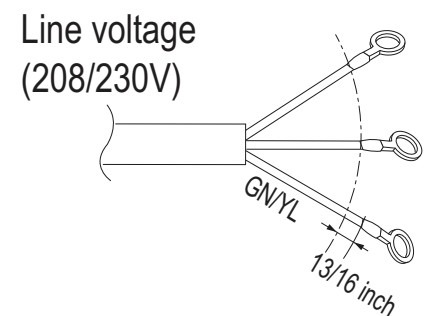
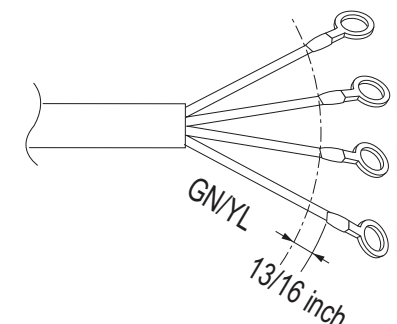


Figure 92: Power Wiring and Communications Cable from the Multi F ODU to the IDUs, or from the Multi F MAX ODU to the BDUs and from the BD Unit to the IDUs.



Connecting the Power Wiring / Communications Cable

Best practice dictates using ring or spade terminals to terminate power wiring at the power terminal block. If ring terminals or spade clips are not available, then:

- Do not terminate different gauge wires to the power terminal block. (Slack in the wiring may generate heat.)
- When terminating wires of the same thickness, follow the instructions demonstrated in the figures below.
- Firmly attach the wire; secure in a way to prevent external forces from being imparted on the terminal block.
- Use an appropriately sized screwdriver for tightening the terminals.
- Do not overtighten the connections; overtightening may damage the terminals.

Figure 93: Close up of a Typical Ring Terminal.

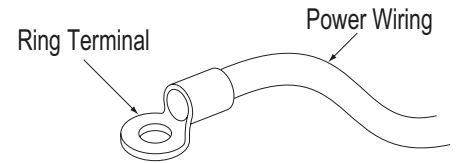


Figure 94: Close up of the Indoor Unit Terminal Block.

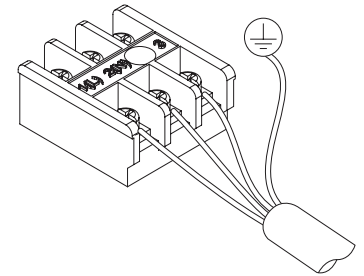
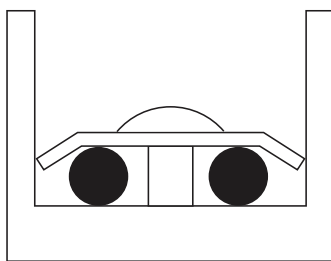
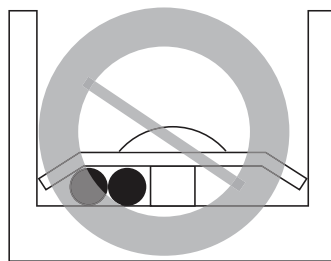


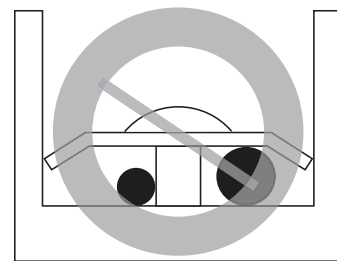
Figure 95: Proper and Improper Power Wiring Connections.



Terminate multiple power wires of the same gauge to both sides.



Do not terminate two wires on one side.



Do not terminate different gauge wires to a terminal block.

● :Copper Wire

⚠ WARNING

- There is a risk of fire, electric shock, physical harm or injury, or death if the power wires are not properly terminated and / or firmly attached.
- Never apply line voltage power to the communications cable terminal block. If contact is made, the PCBs may be damaged.

Note:

Always include some allowance in the wiring length when terminating. Provide some slack to facilitate removing the electrical panels while servicing.

WIRING CONNECTIONS

General Information

MULTI F
MULTI F MAX

Figure 96: Multi F System General Power / Communications System Schematic.

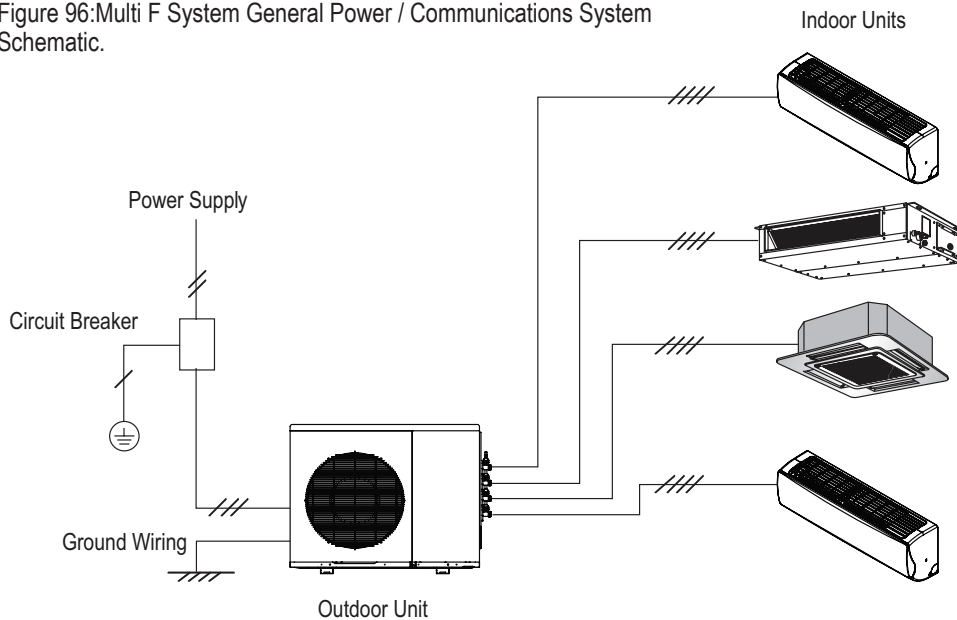
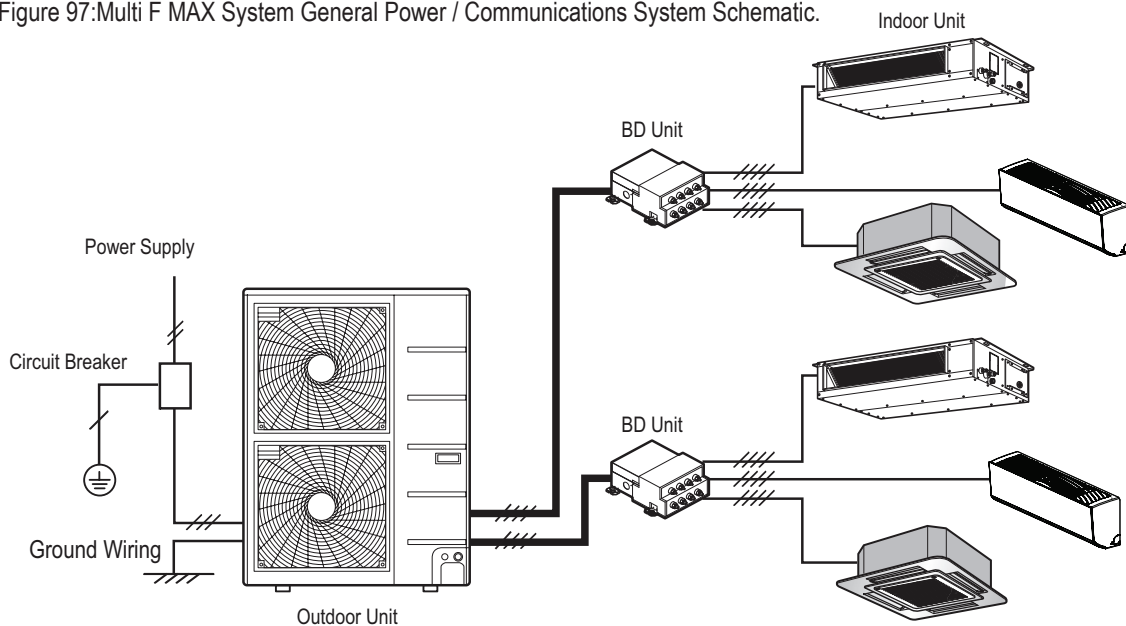


Figure 97: Multi F MAX System General Power / Communications System Schematic.



Note:

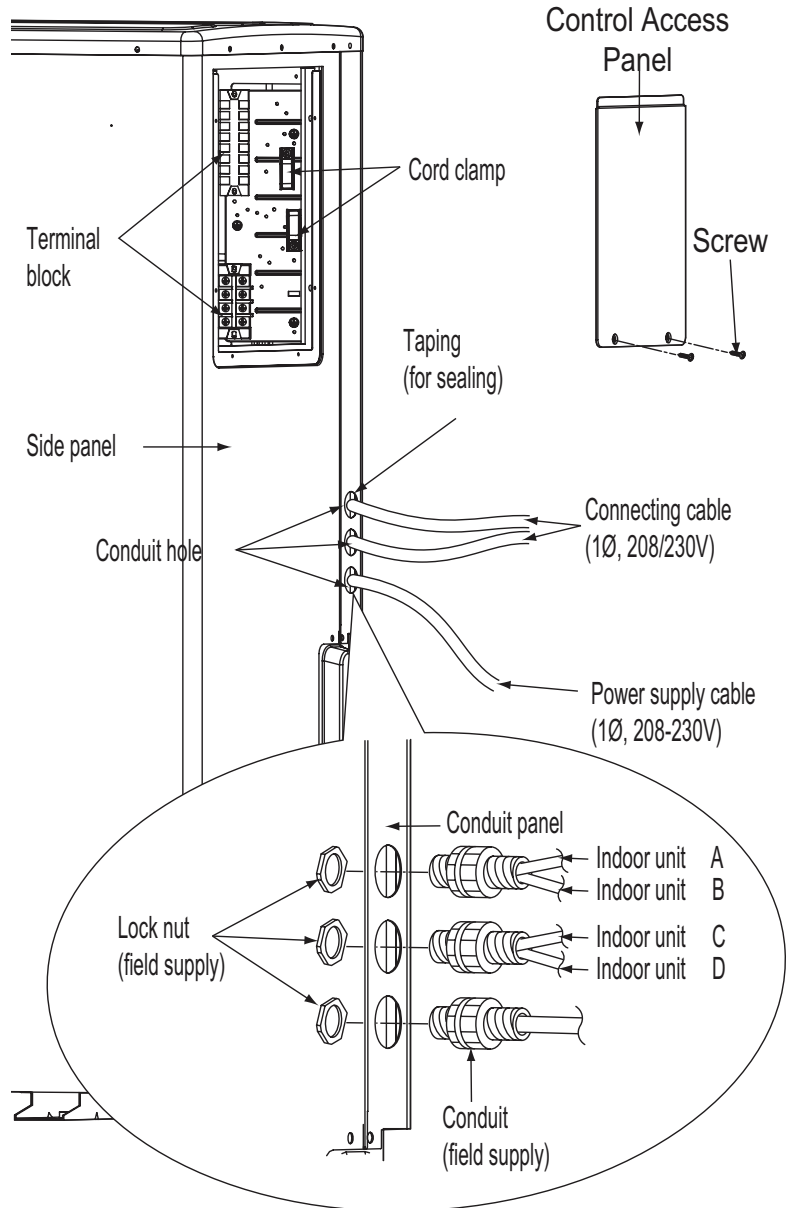
- Secure the separate wires in the control box panel using zip ties.
- Secure wiring with accessory clamps so that it does not touch piping.
- Use a conduit for the cable
- Outside the unit, make sure the communications cable and the power wiring are separately shielded, otherwise, the outdoor unit operation may be affected by electrical noise and will malfunction or fail.

- Find the outdoor unit terminal block by unscrewing the control access panel.
- Side panel of the outdoor unit has knockout holes for the conduits. After install is complete, seal up any gaps between the panel and the conduits.
- Clamp is included near the terminal block to help protect the connections from strain on the cables.

WARNING

- Always have a trained technician properly ground the outdoor unit. If the outdoor unit is not properly grounded, there is a risk of electric shock.
- Use a conduit for the power wiring.
- The communications cable should be separated and isolated from the outdoor unit power wiring, computers, radio and television broadcasting facilities, as well as medical imaging equipment.

Figure 98: Example of Power Wiring and Communications Cable Terminations.

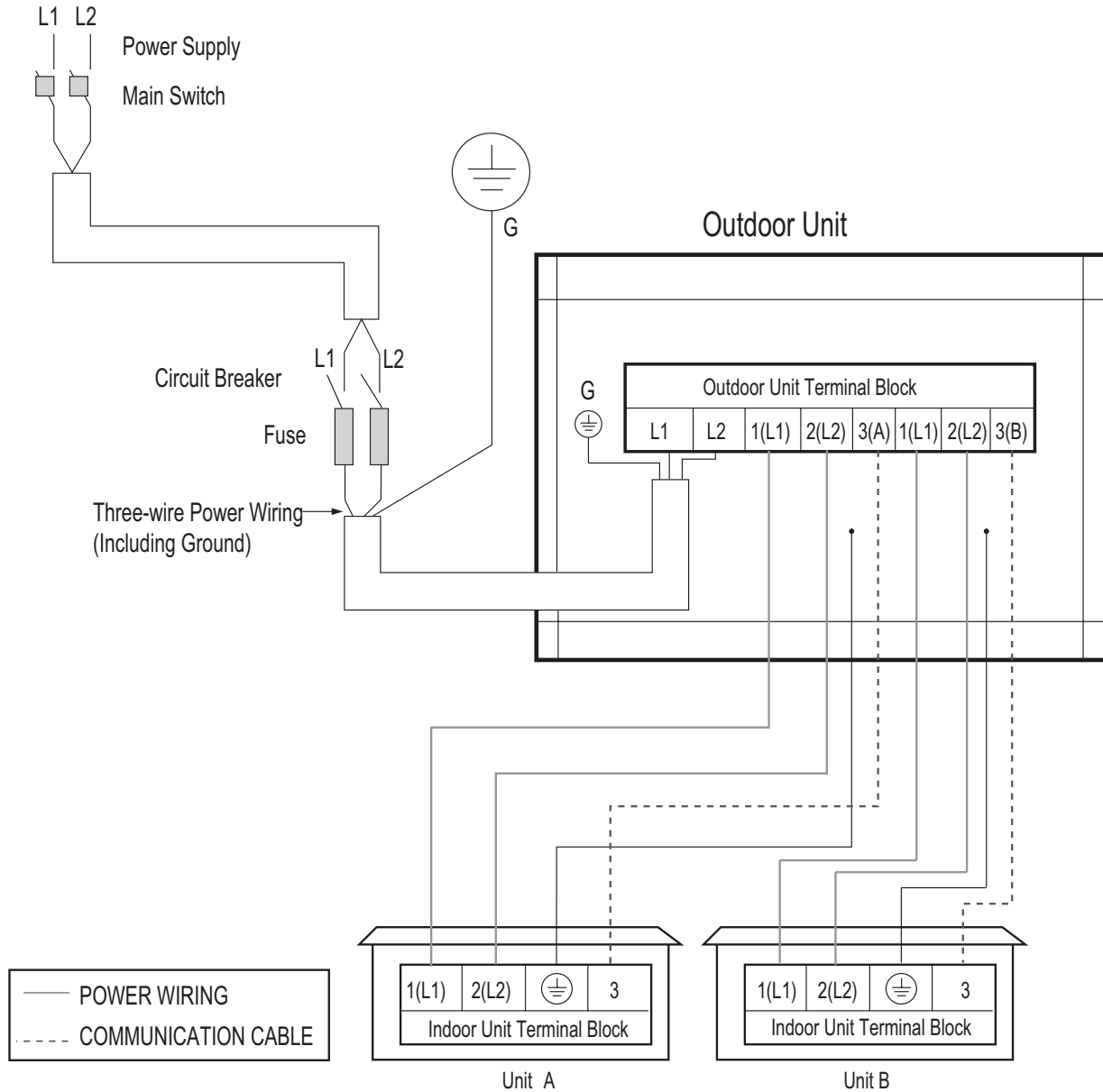


WIRING CONNECTIONS

Power Wiring (208-230V) and Communications Cable Details

MULTI F
MULTI F MAX

Figure 99: Multi F LMU18CHV System Power Wiring and Communications Cable.

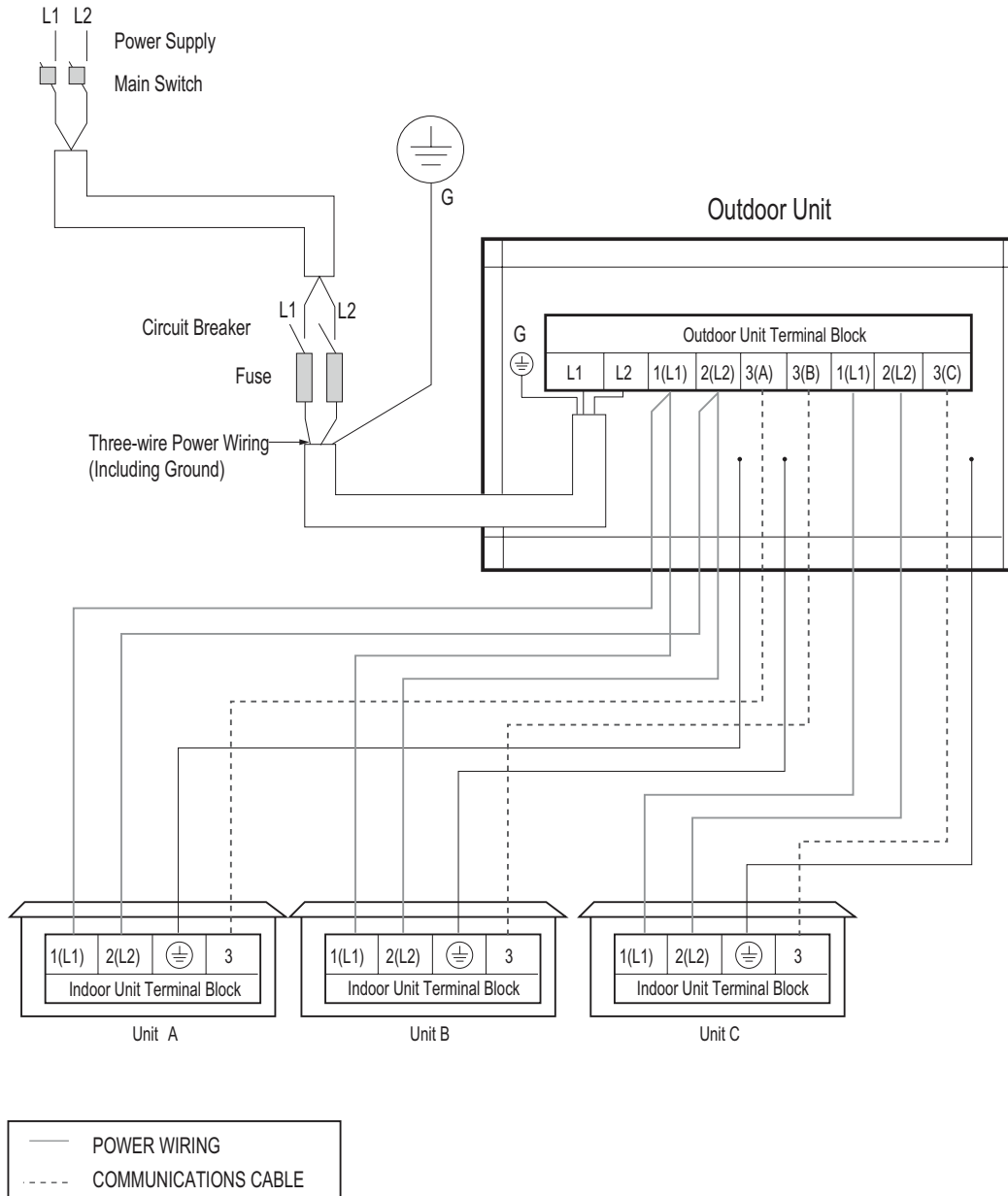


Multi F and Multi F MAX Indoor Unit Engineering Manual

⚠ WARNING

- All field-supplied wiring, components, and materials should follow national, state, and local codes and requirements.
- Use only stranded, shielded copper conductor.
- Ground wiring is required to prevent accidental electrical shock during current leakage, communication problems from electrical noise, and motor current leakage. Do not connect the ground line to the pipes.
- Install a main shutoff switch or circuit breaker that interrupts all power sources simultaneously.
- Wiring cable size must comply with applicable national, state, and local codes.

Figure 100: Multi F LMU24CHV System Power Wiring and Communications Cable.



WARNING

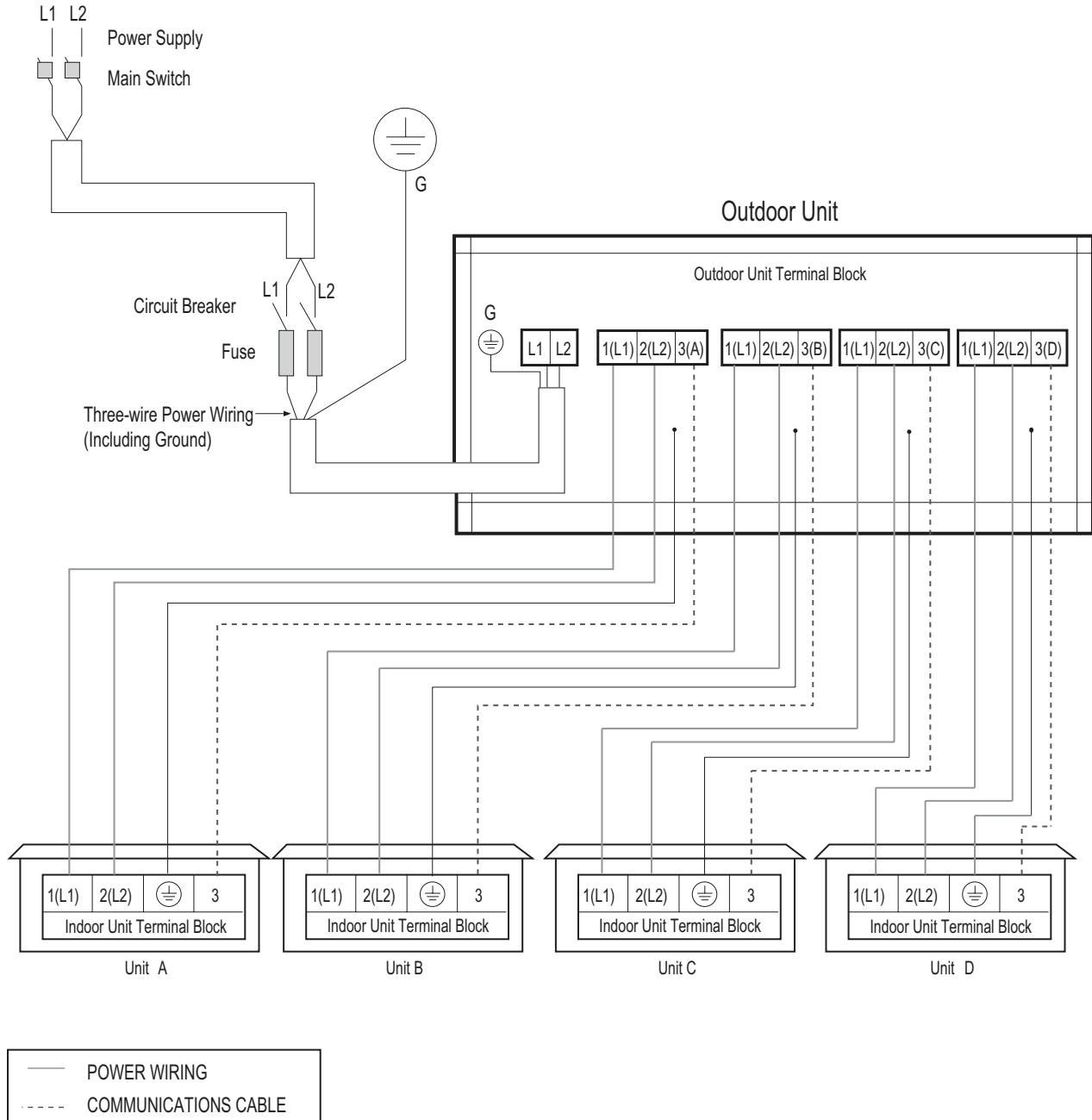
- All field-supplied wiring, components, and materials should follow national, state, and local codes and requirements.
- Use only stranded, shielded copper conductor.
- Ground wiring is required to prevent accidental electrical shock during current leakage, communication problems from electrical noise, and motor current leakage. Do not connect the ground line to the pipes.
- Install a main shutoff switch or circuit breaker that interrupts all power sources simultaneously.
- Wiring cable size must comply with applicable national, state, and local codes.

WIRING CONNECTIONS

Power Wiring (208-230V) and Communications Cable Details

MULTI F
MULTI F MAX

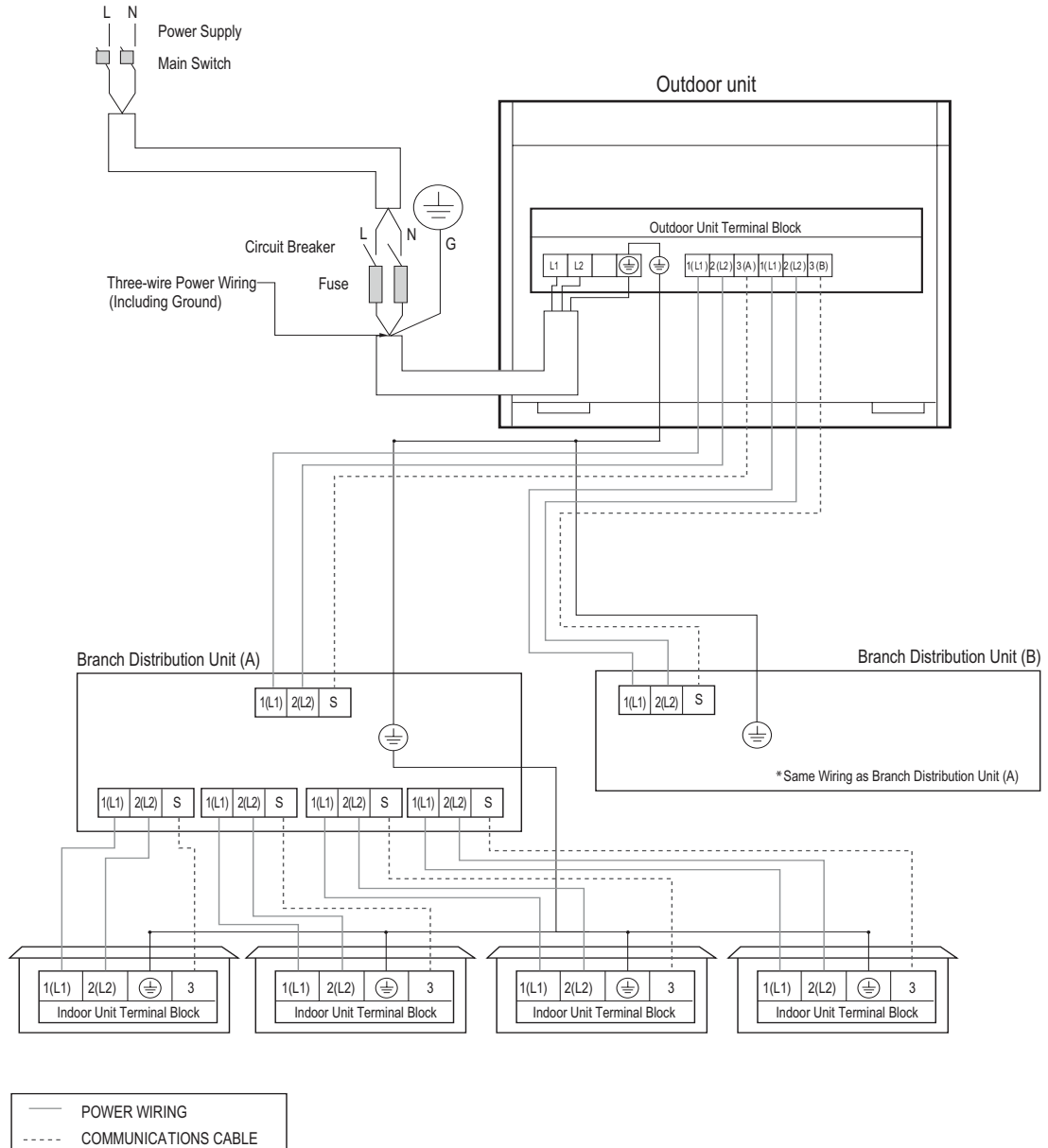
Figure 101: Multi F LMU36CHV System Power Wiring and Communications Cable.



⚠ WARNING

- All field-supplied wiring, components, and materials should follow national, state, and local codes and requirements.
- Use only stranded, shielded copper conductor.
- Ground wiring is required to prevent accidental electrical shock during current leakage, communication problems from electrical noise, and motor current leakage. Do not connect the ground line to the pipes.
- Install a main shutoff switch or circuit breaker that interrupts all power sources simultaneously.
- Wiring cable size must comply with applicable national, state, and local codes.

Figure 102: Multi F MAX LMU540HV System Power Wiring and Communications Cable.



⚠ WARNING

- All field-supplied wiring, components, and materials should follow national, state, and local codes and requirements.
- Use only stranded, shielded copper conductor.
- Ground wiring is required to prevent accidental electrical shock during current leakage, communication problems from electrical noise, and motor current leakage. Do not connect the ground line to the pipes.
- Install a main shutoff switch or circuit breaker that interrupts all power sources simultaneously.
- Wiring cable size must comply with applicable national, state, and local codes.

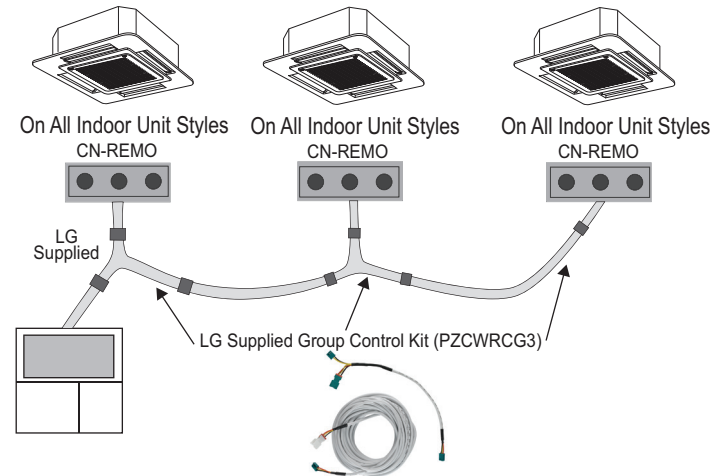
Communication Cables Between Multiple Indoor Units Operating as a Group (Group Control)

1. If any indoor units were specified to operate in unison, use one (or multiple) three-core Group Control Kit (sold separately) containing extension and Y-splitter cables. One (1) group control cable kit for each indoor unit in the group except for the last indoor unit.
2. Always use an LG provided group control communications cable (Group Control Kit; sold separately) between the indoor unit and the wall-mounted zone controller.
3. NEVER splice, cut, or extend cable length with field provided cable.
4. A maximum of 16 indoor units can be connected to a wired remote controller (maximum wire length: 164 feet). Before running cable, decide which indoor unit will be the "Master;" set the remaining as "Slave." The zone controller will be connected to the "Master."
5. Identify each indoor unit operating as a group as "Master" or "Slave". Adjust the pertinent DIP switch at each indoor unit. On wall mounted indoor unit models, set the assignment using the wireless remote controller.
6. Use a daisy chain configuration and connect all of the group's indoor units together starting at the "Master" unit.

General Specifications

- Wired remote controllers can be connected to all indoor unit types.
- Wireless controllers can be used in conjunction with wired remote controllers.
- A dry contact unit can be connected with a central controller simultaneously.
 - The master indoor unit is recognized by the dry contact unit and the central controller.
 - Group Control only available for indoor units manufactured after February 2009.
 - The central controller can control indoor units after setting the address of the master indoor unit only.
 - Slave indoor unit cannot be individually controlled by central controller.
 - Slave indoor unit will operate like master indoor unit.
- If an error occurs with the indoor unit, the error will be displayed on the wired remote controller.
- The following functions are available with group control:
 - Selection of operation options (operation/mode/set temperature)
 - Control of air flow rate (High/Medium/Low)

Figure 103: Indoor Unit Group to Zone Controller Connections.



Note:

Cable connected to Zone Controller is the factory default connection.

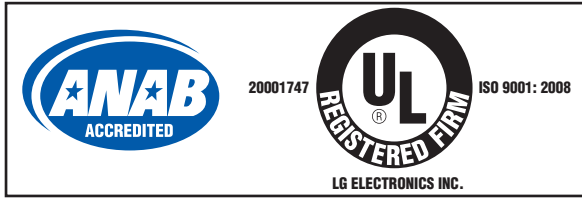
Table 355: Accessories Required for Group Control.

Accessory	Model Number	Image
Wired Remote Group Control Cable Assembly - Required for connecting multiple indoor units to a control group	PZCWRG3	
Wired Remote/Wired Remote Extension Cable - Required for extending the distance between indoor units or remote controllers in a control group	PZCWRC1	

Table 356: Table of Acronyms.

ABS	Acrylonitrile Butadiene Styrene	IAQ	Indoor Air Quality
AC	Air Conditioner	IDU	Indoor Unit
ACP	Advanced Control Platform	IUCF	Indoor Unit Correction Factor
ARI	Air Conditioning and Refrigeration Institute	KTL	Korea Testing Laboratories
ASHRAE	American Society of Heating, Refrigeration, and Air Conditioning	LATS	LG Air Conditioning Technical Solution
AWG	American Wire Gauge	LGAP	LG Air Conditioner Protocol
BDU	Branch Distribution (Unit)	MAT	Mixed Air Temperature
Btu/h	British Thermal Units per hour	MBh	Thousands BTUs per hour
CCR	Corrected Capacity Ratio	MCA	Maximum Circuit Ampacity
CDOA	Coupled Dedicated Outdoor Air	MFS	Maximum Fuse Size
CFM	Cubic Feet per Minute	NEC	National Electrical Code
CR	Combination Ratio	OAT	Outdoor Air Temperature
DB	Dry Bulb	ODU	Outdoor Unit
dB(A)	Decibels with "A" frequency weighting	OUCF	Outdoor Unit Correction Factor
DDOAS	Decoupled Dedicated Outdoor Air	PDI	Power Distribution Indicator
DFS	Duct-Free Split	PI	Power Input
DI	Digital Input	PTAC	Packaged Terminal Air Conditioner
DO	Digital Output	PVE	Polyvinyl Ether
EEV	Electronic Expansion Valve	RAT	Return Air Temperature
ELF	Equivalent Length in Feet	RCL	Refrigerant Concentration Limit
EPDM	Ethylene Propylene Diene M-Class Rubber	SC	Sensible Capacity
ESP	External Static Pressure	TC	Total Capacity
ETL	Electronic Testing Laboratories	VAV	Variable Air Volume
HACR	Heating, Air Conditioning, and Refrigeration	VRF	Variable Refrigerant Flow
H/M/L	High / Medium / Low	VRP	Ventilation Rate Procedure

Inverter



LG Electronics, U.S.A., Inc.
Commercial Air Conditioning Division
11405 Old Roswell Road
Alpharetta, Georgia 30009
www.lghvac.com

LG Electronics Products Support
1-888-865-3026 USA
Follow the prompts for HVAC products.

EM-MultiFODU-01-15
Supersedes EM-MultiFODU-06-14
Supersedes DFS-EM-AJ-001-US 014C25
Supersedes DFS-EM-AJ-001-US 014A03
Supersedes DFS-EM-AJ-001-US 013M09
Supersedes DFS-EM-AJ-001-US 013K30