

Job Name/Location:

Tag #:

Date:

For:  File  Resubmit

PO No.:

Approval  Other \_\_\_\_\_

Architect:

GC:

Engr:

Mech:

Rep:

(Company)

(Project Manager)



# LMAN127HVT

Multi F Art Cool™ Mirror  
12,000 Btu/h Indoor Unit



### Performance:

Nominal Cooling Capacity (Btu/h)	12,000
Nominal Heating Capacity (Btu/h)	13,800

Cooling Nominal Test Conditions:

Indoor: 80°F DB/67°F WB  
Outdoor: 95°F DB/75°F WB

Heating Nominal Test Conditions:

Indoor: 70°F DB/60°F WB  
Outdoor: 47°F DB/43°F WB

### Electrical:

Power Supply (V <sup>1</sup> /Hz/Ø)	208-230/60/1
Rated Amps (A)	0.20

### Piping:

Liquid Line (in, OD)	1/4
Vapor Line (in, OD)	3/8
Drain OD, ID (in)	13/16, 5/8
Temperature Sensor	Thermistor

### Features:

- 24-Hour on/off timer
- Auto operation
- Auto restart
- Chaos Swing
- Inverter (variable speed fan)
- Jet Cool/Jet Heat
- Plasma air purifying system
- Self-cleaning indoor coil
- Condensate sensor connection
- Group control

### Included Accessories:

- Wireless Handheld Remote Controller - AKB73635606

### Optional Accessories:

- LG Programmable Thermostat - PREMTB10U
- Simple Controller with Mode (Black) - PQRCVCL0Q
- Simple Controller with Mode (White) - PQRCVCL0QW
- Simple Controller without Mode (Black) - PQRCHCA0Q
- Simple Controller without Mode (White) - PQRCHCA0QW
- AC Smart Premium - PQCSW421E0A
- ACP Premium - PQCP22A1
- ACP Standard - PQCP22N1
- LonWorks Gateway - PQNFB16A1
- BACnet Gateway - PQNFB17B0
- AC Ez - PQCS2250S0
- Dry Contact Unit (1 contact, 24 VAC external power) - PQDSB1
- Dry Contact Unit (2 input, power from indoor unit) - PQDSBC
- Dry Contact for third party thermostat - PQDSBNGCM1

### Operating Range:

Cooling (°F WB)	57-77
Heating (°F DB)	59-81

### Unit Data:

Refrigerant Type	R410A
Refrigerant Control	EEV
Sound Pressure <sup>2</sup> H/M/L (±3 dB(A))	39/36/31
Primary Filter	Washable Pre-filter
Secondary Filter	Plasma
Net Unit Weight (lbs)	25
Shipping Weight (lbs)	29

### Fan:

Type	Cross Flow
Quantity	1
Motor/Drive	Brushless Digitally Controlled/Direct
Airflow Rate H/M/L (CFM)	335/318/300

### Notes:

1. Acceptable operating voltage: 187V - 253V.
2. Sound Pressure levels are tested in an anechoic chamber under ISO Standard 1996.
3. See Engineering Manual for sensible and latent capacities.
4. All power/communication cable to be minimum 18 AWG, 4-conductor, stranded, shielded and must comply with applicable local and national code.
5. Power wiring cable size must comply with the applicable local and national code.
6. This unit comes with a dry helium charge.
7. Corresponding refrigerant piping length is in accordance with standard length of each outdoor unit and the level difference is 0 ft. All capacities are net with a combination ratio between 95 - 105%
8. Must follow installation instructions in the applicable LG installation manual.



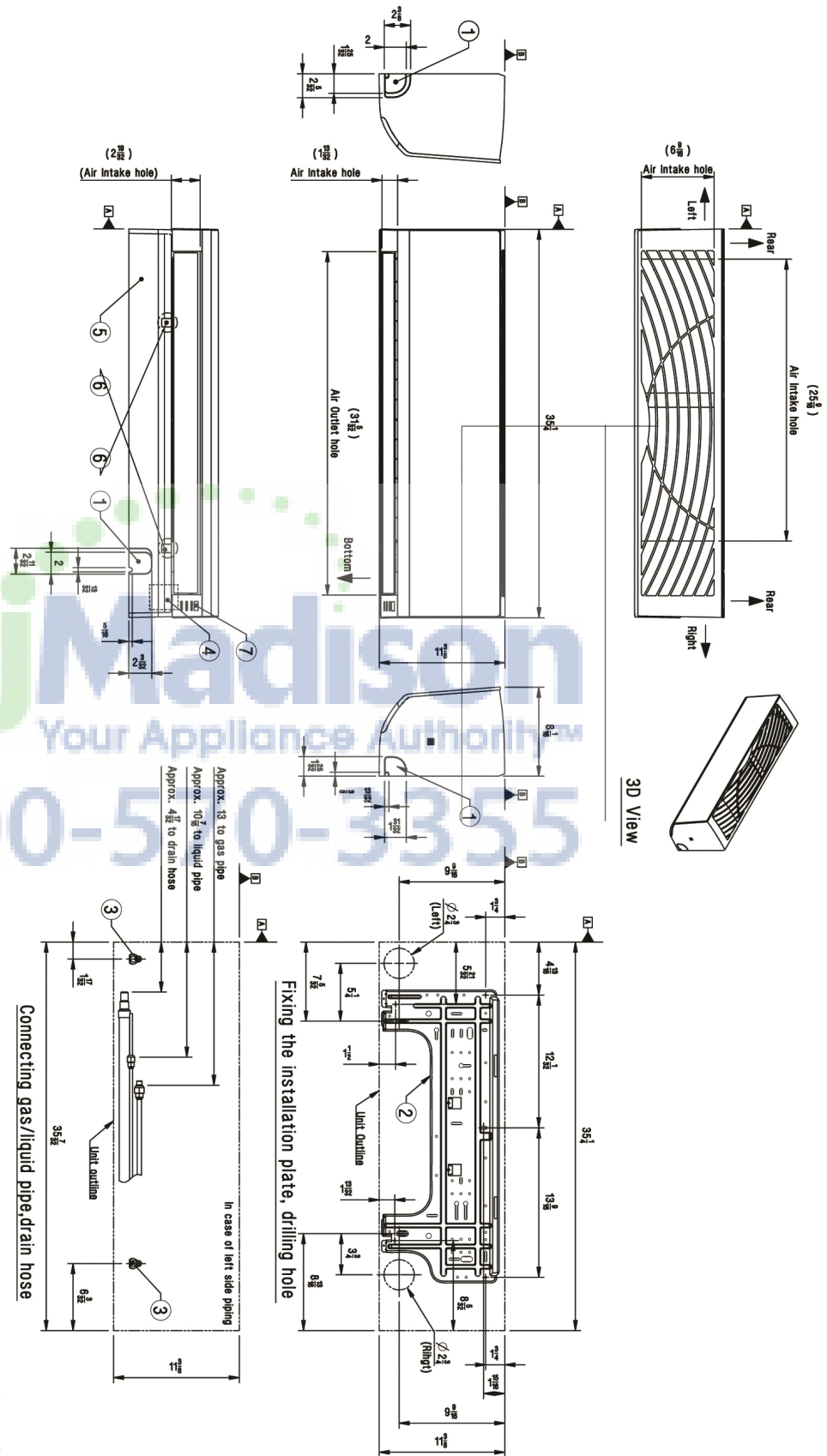
**LMAN127HVT**  
 Multi F Art Cool™ Mirror  
 12,000 Btu/h Indoor Unit



Tag #:

Date:

PO No.:



No.	Name	Description
7	Remote Controller Signal Receiver	for Wireless type
6	Screws of Decoration Cover	-
5	Decoration Cover	-
4	Terminal Block for Power supply and Communication	Inside decoration cover
3	Drain hose connection	-
2	Installation Plate	-
1	Refrigerant/Drain pipe and cable routing hole	Knock-out type

Unit: Inch