

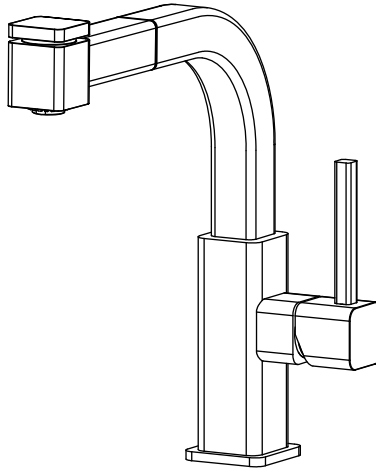
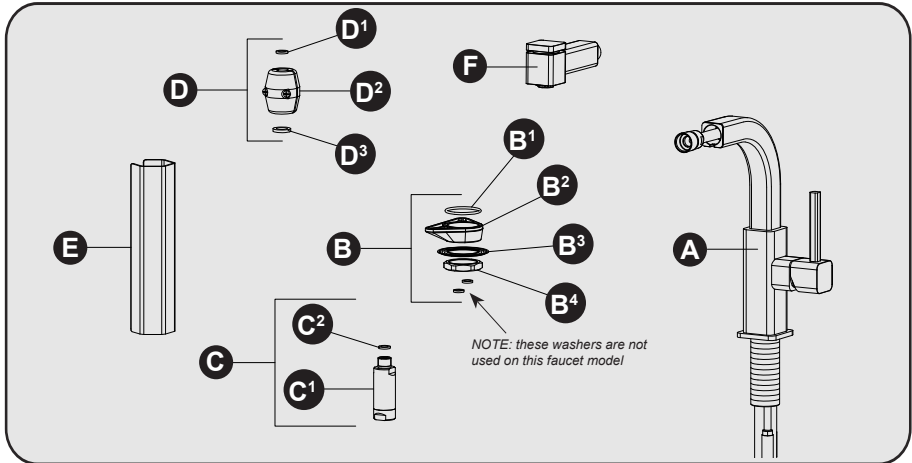
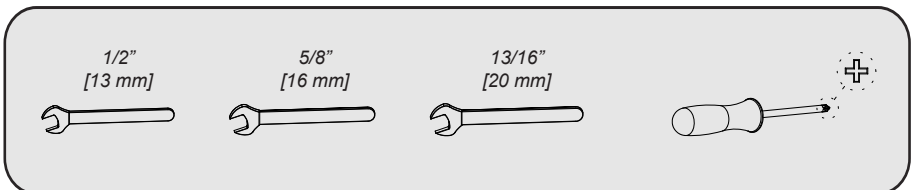
Avado - Pull-Out Bar Faucet

LKAV3042CR

LKAV3042NK

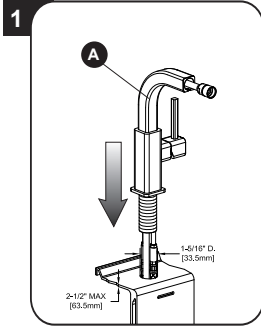
LKLF3042CR

LKLF3042NK

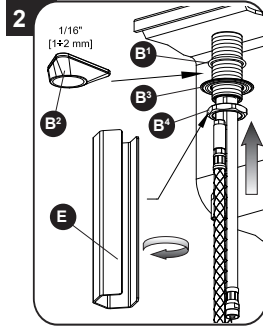
**Includes:****Tools:****SAVE FOR CONSUMER**

WARNING: please carefully read and properly follow the instructions for installation found in this manual.

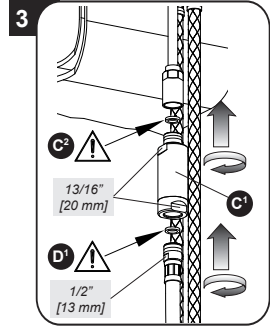
STEPS:



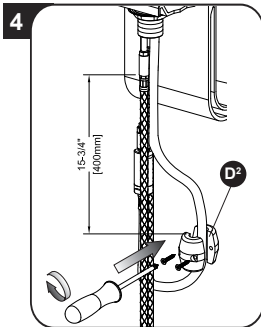
Before inserting the single lever group in the hole of the sink, make sure that the base gasket is properly positioned in its seat and that the flexible hoses are well tightened to the body of the tap. Place the single lever group in the hole of the sink, orienting the spout toward the sink tank.



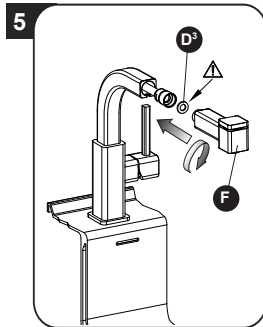
For countertop thicknesses less than 1/16" thick use the rubber gasket (B1) and mounting flange (B2), for all other installations use the rubber gasket (B1) and metal washer (B3). Secure mounting hardware in place by tightening mounting nut (B4) with wrench (E).



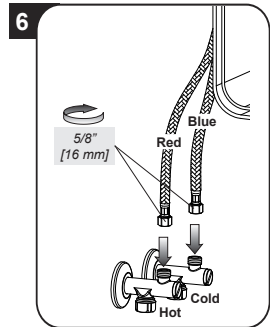
Install the check valve (C1) to the outlet hose with a rubber washer (C2). Secure with wrench. Attach the pull-down hose to the bottom of the check valve with a rubber washer (D1). Secure with wrench.



Attach the counterweight (D2) to the flexible hose approximately 15-3/4" [400mm] from the connection to the outlet pipe.

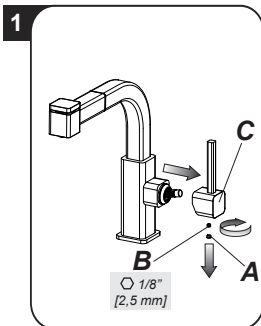


Tighten the shower (F) to the hose interposing the gasket (D3) and confirm the hose can slide smoothly through the passage hole.



Connect the flexible hoses to the supply connections with rubber gaskets. Secure with wrench. Turn on the water and check for leaks.

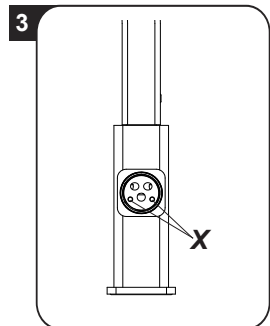
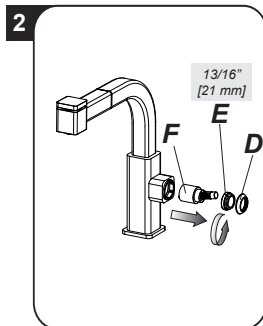
CARTRIDGE REPLACEMENT



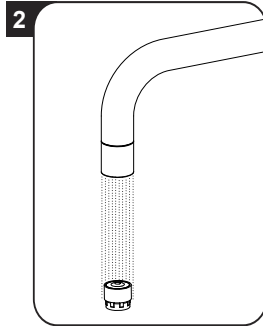
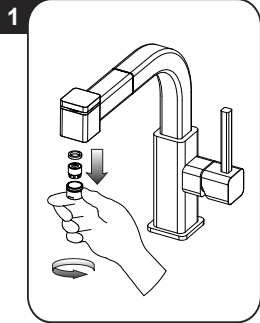
Before disassembling the faucet be sure that the water supply is turned off.

Remove the finish cap (A), paying attention not to damage it. Remove the setscrew (B) with a 1/8" [2.5mm] hex wrench. Remove the handle (C). Lift the finishing ring nut (D) using the reference notch. Unscrew the cartridge nut (E) then pull out the cartridge (F). Put the new cartridge into the body of the faucet, checking that the two centering pins enter into the respective seats (X) and that the gaskets on the cartridge are well positioned.

Reassemble the handle following the instructions in reverse order.



AERATOR CLEANING / REPLACING



Before removing the aerator make sure that the faucet is turned off.

If the supply is not fluid unscrew manually the aerator-holder, remove the filter without damaging and/or losing the gasket.

If the aerator is clogged just rinse it with running water. Do not use detergents.

Reassemble the aerator by following the instructions in reverse order.

CARE AND CLEANING INSTRUCTIONS

Congratulations on your purchase of an Elkay product. Although your product is extremely durable, attention should be given to the care, cleaning and maintenance of this product. Cleaning agents and abrasives may cause damage, which may result in oxidation and discoloration.

By following these simple guidelines for proper care and cleaning, it will give you years of enjoyment:

TO CLEAN: Simply wipe gently with a damp cloth and blot dry with a soft towel. A common rule of thumb is: when you dry off, dry off your product.

- Avoid build-up of soap, toothpaste or mineral deposits, as these tend to have an adverse effect on the appearance of the product.
- NEVER use cleaning products of any kind on this product - especially those containing ammonia, bleach or alcohol - or those with any form of abrasive.

FOR CARE AND MAINTENANCE:

- The water in certain areas of the world can be very caustic - standing water around the product can cause damage. Be sure to remove standing water with a dry, soft cloth as soon as possible.
- For polished brass finishes, as often as once a week, you can apply a paste wax or special, non-abrasive, brass coating (DO NOT APPLY POLISH).
- Before applying a protective coating, gently brush the entire fixture using a soft tooth brush. This will remove any dirt or deposit build-up.
- These simple steps will add temporary protective coating to your faucet and extend the life of the finish.

Failure to follow care and cleaning will void your warranty.

For additional information, please visit elkayusa.com.

WARRANTY

ELKAY LIMITED LIFETIME WARRANTY

Elkay warrants that all parts and finishes of the Elkay Residential brand faucets are free from defects in materials and workmanship for the life of the product, if purchased after 1996. This warranty extends to the original consumer purchaser of the product only.

If the product should leak or drip during normal use, Elkay will provide, free of charge, a replacement cartridge. For other defects in material or workmanship, Elkay will, at its option, supply replacement parts (or if no longer available a comparable product). Elkay reserves the right to examine product in question and its installation prior to replacement.

What is not covered:

1. Damage caused by accident, negligence, misuse, abuse, improper installation or operation or failure to follow care or installation instructions enclosed with your product.
2. Damage occurring during shipment of the product (claims must be presented to the carrier).
3. Normal wear and tear.
4. Labor charges, costs of removal and reinstallation, and any damages to other property.
5. All industrial, commercial and business use whose purchasers are hereby extended a limited lifetime on mechanical parts and 5 years on finish.

What you must do to obtain warranty service:

Either write to Elkay, attention Customer Care, 2222 Camden Court, Oak Brook, IL 60523 or call 1-800-223-5529. Please provide date of purchase and installation, description of nature of the defect, and model number or description of model and/or component part.

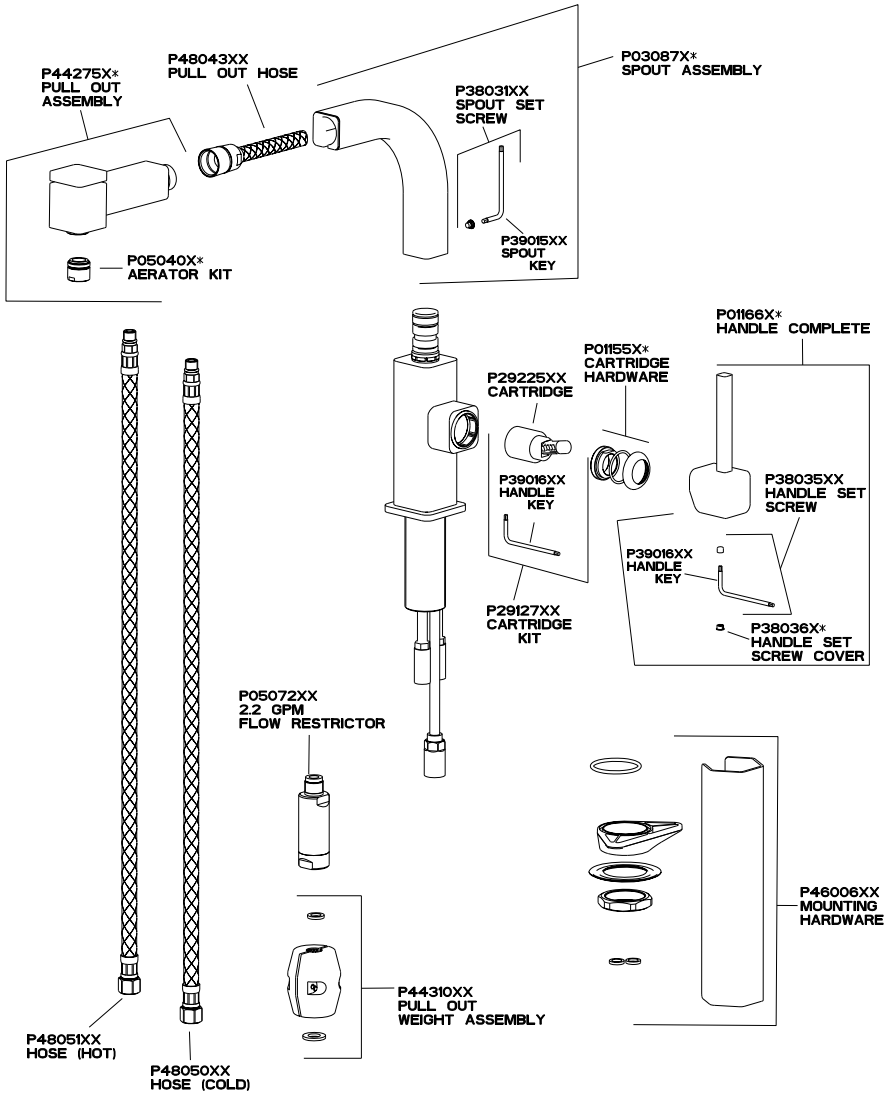
THIS LIMITED WARRANTY IS EXPRESSLY IN LIEU OF ANY OTHER WARRANTIES, EXPRESSED IMPLIED, ARISING BY LAW OR OTHERWISE, INCLUDING WITHOUT LIMITATION, ANY IMPLIED WARRANTY OF MERCHANTABILITY OR FITNESS FOR A PARTICULAR PURPOSE. THIS LIMITED WARRANTY MAY NOT BE ALTERED, VARIED, OR EXTENDED, EXCEPT BY A WRITTEN INSTRUMENT EXECUTED BY ELKAY. THE REMEDY OF REPAIR OR REPLACEMENT AS PROVIDED UNDER THIS LIMITED WARRANTY IS EXCLUSIVE. IN NO EVENT SHALL THE MANUFACTURER BE LIABLE FOR ANY CONSEQUENTIAL OR INCIDENTAL DAMAGES TO ANY PERSON, WHETHER OR NOT OCCASIONED BY NEGLIGENCE OF ELKAY, INCLUDING WITHOUT LIMITATION DAMAGES FOR LOSS OF USE, COSTS PROPERTY DAMAGE OR OTHER MONETARY LOSS.

Some states do not allow the exclusion or limitation of incidental or consequential damages or limitations on how long an implied warranty lasts, so the above limitations or exclusions may not apply. This warranty from state to state.

This warranty covers product installed in the United States and Canada.

REPLACEMENT PARTS

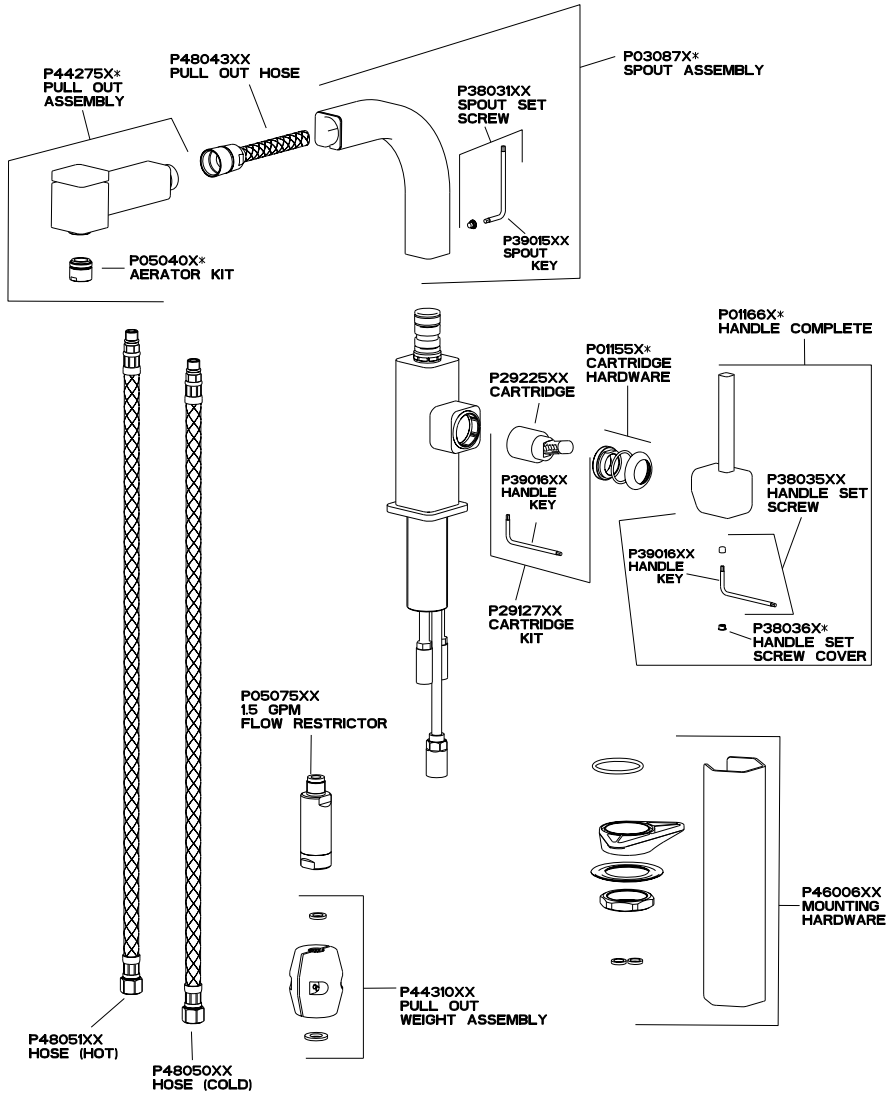
LKAV3042CR
LKAV3042NK



NOTE: *REQUIRES FINISH DESIGNATION

REPLACEMENT PARTS

LKLFAV3042CR
LKLFAV3042NK



NOTE: *REQUIRES FINISH DESIGNATION

