

## Single-Lever Kitchen Faucet Models LKE4300 and LKE4301

### FEATURES

#### Model LKE4300

- Three hole, single-lever top mount kitchen faucet
  - Three 1-1/2" (38mm) diameter faucet holes required
  - Maximum counter top thickness is 1" (25.4mm)
- Temperature and flow controlled by one movement of the single-lever handle
- Tubular, 360° swing spout with restricted flow aerator and brass escutcheon
- Highly polished, chrome plated finish
- Removable cartridge
- 3/8" (10mm) O.D.; 10" (254mm) long; copper tube connections
- Ship Wt. 2-3/4 lbs. (1.2 Kg)
- Maximum flow rate
  - 2.5 GPM/9.5 L/min at 80 P.S.I.G.
  - 2.2 GPM/8.3 L/min at 60 P.S.I.G.

#### Model LKE4301

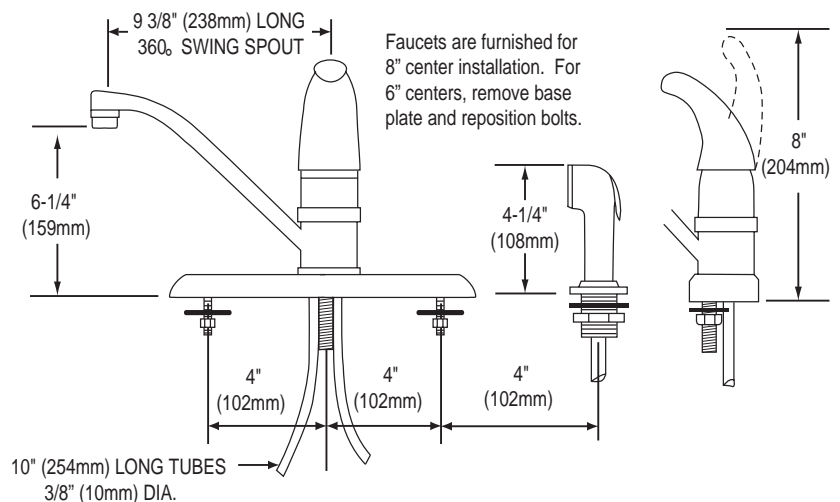
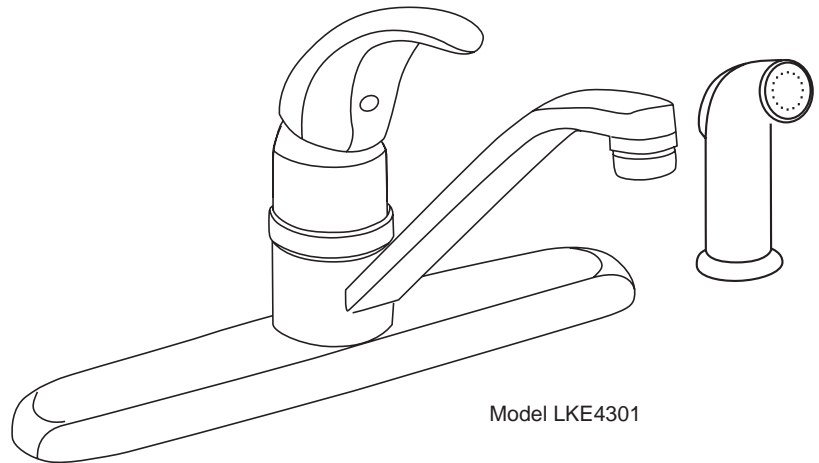
- Same as LKE4300 except with chrome retractable spray head and hose
- Requires four faucet holes 1-1/2"(38mm)
- Ship Wt. 3-1/4 lbs. (1.5 Kg)

### WARRANTY

- Limited Lifetime

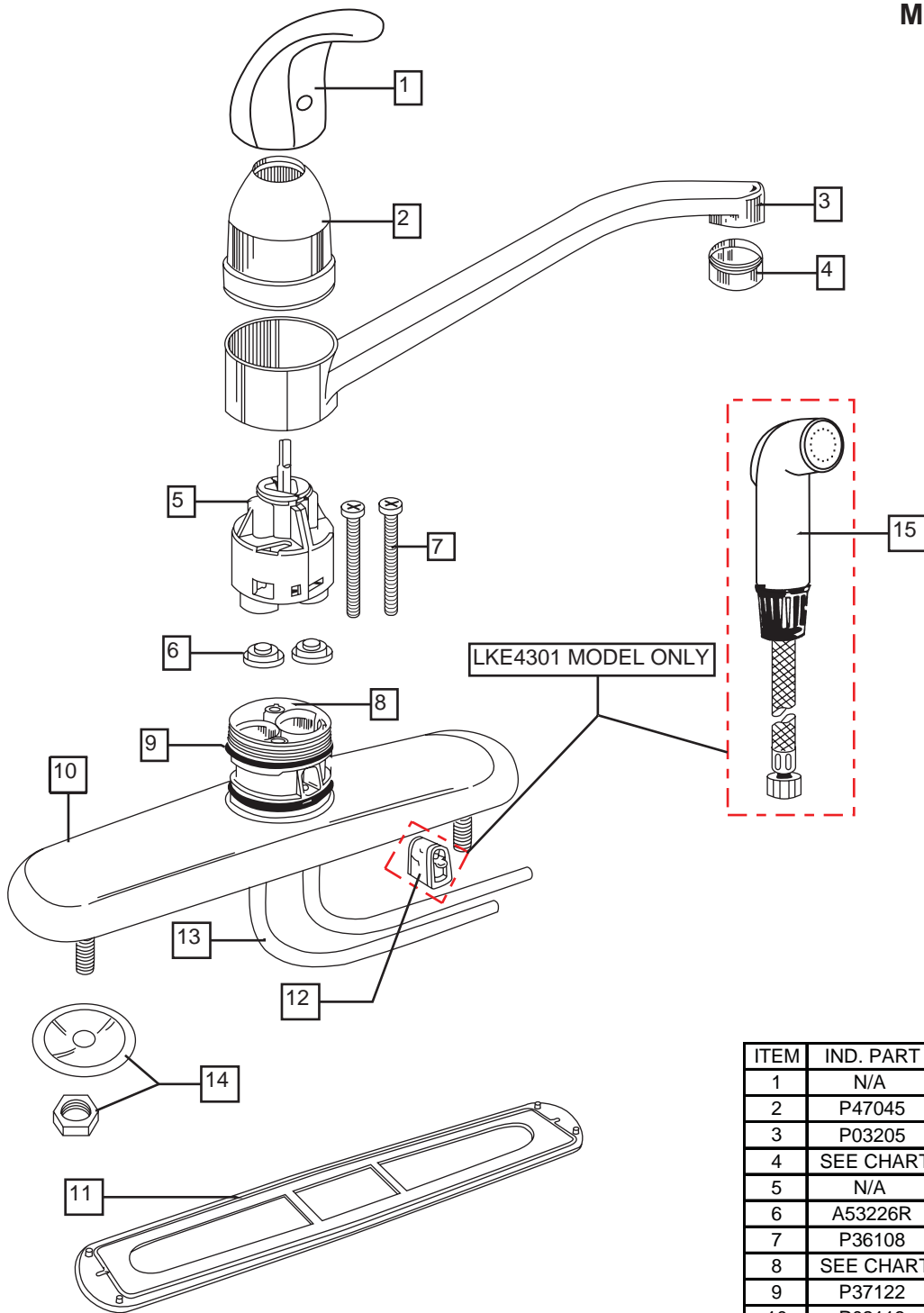
### COMPLIES WITH:

- ADA
- ANSI/NSF61 - Certified
- ASME A112.18.1/CSA B125.1
- CA AB1953/VT S152



SEE OTHER SIDE FOR REPLACEMENT PARTS

### Single-Lever Kitchen Faucet Models LKE4300 and LKE4301



FAUCET	HOUSING	BASE	AERATOR
LKE4300	P47051	P47017	P05101
LKE4301	P47071	P47011	P05101

ITEM	IND. PART	KIT PART	DESCRIPTION
1	N/A	A53080R	HANDLE ASSEMBLY
2	P47045	N/A	DOMES
3	P03205	N/A	SPOUT ASSEMBLY
4	SEE CHART	N/A	AERATOR
5	N/A	A52399R	CARTRIDGE
6	A53226R	N/A	HOUSING
7	P36108	N/A	SCREW
8	SEE CHART	N/A	HOUSING
9	P37122	N/A	O-RING
10	P02113	A52401R	ESCUTCHEON ASSEMBLY
11	P35124	N/A	ESCUTCHEON ASSEMBLY
12	P48020	N/A	DIVERTER
13	SEE CHART	N/A	BASE
14	P35101	N/A	MOUNTING HARDWARE
15	A55450R	N/A	SIDE SPRAY ASSEMBLY