

LSRM2010ST MK2030F

Counter-Top Microwave Oven
& Trim Kit (Optional)



Built-In Style & Great Features

COOKING PERFORMANCE

- 2.0 cu. ft. Oven Capacity
- 1200 Watts
- TrueCookPlus™
- Sensor Cook
- Power Levels
- 6 Auto Cook Options

STYLE AND DESIGN

- Premium Stainless Steel Finish
- 12 Digit Scroll VFD

CONVENIENCE

- EasyClean™ Interior
- Space Saving Counter-top Microwave with Optional Trim Kit



● Stainless Steel (ST)

LSRM2010ST MK2030F



Counter-Top MWO & Trim Kit

TrueCookPlus™

TrueCookPlus™ is patented technology that does all the calculations for you to help ensure the food cooks outstandingly everytime. True Cook numbers can be found on leading food distributor's packaging.

Sensor Cooking

Sensor cooking technology senses humidity levels within the oven and automatically adjusts cooking time and performance to provide superior heating performance.

EasyClean™ Interior

With the new EasyClean™ interior, you can have quick and high performance cleaning inside and out without using chemicals.

Style and Design

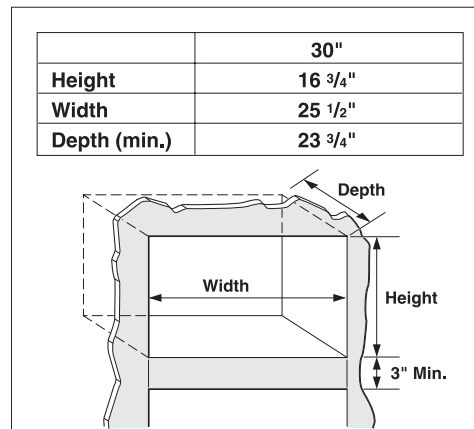
This unit's beautiful stainless finish complements any kitchen décor, and an optional trim-kit is available for a premium built-in look.



Shown with single wall oven

CAPACITY	
Oven Capacity	2.0 cu. ft.
FEATURES	
Watts Microwave	1200
Control Type	12 Digit Scroll VFD
Interior Cavity	EasyClean™ Coating, Round
Sensor	Humidity Sensor
COOKING FEATURES	
TCP Code Cooking	•
Sensor Cook Options	7
Power Levels	•
Auto Defrost	•
Quick Defrost	•
Custom Settings	•
Auto Cook Options	6
Melt/Soften	•
EZ On	•
More/Less	•
CONVENIENCE FEATURES	
Turntable Diameter	16"
EasyClean™ Coating	•
Clock/Timer	•
Completion Beeper	•
SAFETY FEATURES	
Child Lock	•
MATERIALS/FINISHES	
Available Colors	Stainless Steel (ST)
DIMENSIONS	
Cavity (WxHxD)	16 11/16" x 11 1/4" x 18 1/16"
Exterior (WxHxD)	23 7/8" x 13 9/16" x 19 13/16"
Shipping (WxHxD)	27 3/4" x 15 2/5" x 21 1/4"
Trim Kit (WxHxD)	29 13/16" x 19 3/16" x 13/16"
Net Weight	39.6 lbs.
ACCESSORIES	
MK2030F (30" Trim Kit)	Optional
WARRANTY	
	2 Years
UPC CODES	
LSRM2010ST Microwave	048231317399
MK2030F Trim Kit	048231316682

MK2030F Trim Kit Cut-Out Dimensions



www.LG.com

LG Electronics U.S.A., Inc.

1000 Sylvan Avenue Englewood Cliffs, NJ 07632
Customer Service and Technical Support: (800) 243-0000

Dimensions and weights are approximate. Design, features and specifications subject to change without notice.

© 2011 LG Electronics USA, Inc. All rights reserved. "LG Life's Good" is a registered trademark of LG Corp. All other product and brand names are trademarks or registered trademarks of their respective companies. 06/11