

LDEL7324YE

7.3 cu. ft. Smart wi-fi Enabled Double Oven Free-standing Range with ProBake Convection® and Premium New Handle

7.3 cu. ft Capacity
ProBake Convection®
EasyClean®
WideView™ Window
LG ThinQ® with ThinQ Care

AVAILABLE COLORS



STAINLESS STEEL



Proactive Smart Alerts to Keep Your Appliances Running Smoothly

ThinQ Care

- Preventative Alerts help you stay a step ahead of potential issues to find proactive solutions before problems arise.
- Avoid preventable repairs and service calls with real-time diagnostics for a hassle-free experience.
- Integrated within LG's ThinQ app—a smart home hub for managing your smart devices and appliances.



SUMMARY

Type	Electric Double Oven
Total Oven Capacity (cu. ft.)	7.3
Available Colors	Stainless Steel
COOKTOP	
Burner/Watts - Left Rear	6" - 1200W
Burner/Watts - Right Rear	6" - 1200W
Burner/Watts - Left Front	9" / 6" - 3200W UltraHeat™
Burner/Watts - Right Front	3000 (12"), 2200 (9"), 1100 (6")
Burner/Watts - Center	7" - 100W
Hot Surface LED Indicator	Yes

CONTROL FEATURES

Cooktop Control Type	Front Control Knobs
Flex Control Knob	No
Oven Control Type	SmoothTouch™ Glass
Display	LED / White
Language	English
Clock	Yes
Temperature Unit	Fahrenheit / Celsius
Cooking Complete Reminder Volume	Beep (Hi, Lo, Off)
Certified Sabbath Mode	Yes

APPEARANCE

All Available Colors	Stainless Steel
Handle/Knobs	Stainless Steel
Handle/Knobs materials	Aluminum / PC+ABS
Handle Type	Curve Type
Oven Door Feature	WideView™ Window
PrintProof™ Finish	No
Cooktop Finish	Black Ceramic + Grey Pattern
PrintProof™ Finish	No
Oven Door Feature	WideView™ Window (Clear Glass)
Cooktop Finish	Stainless Steel

UPPER OVEN FEATURES

Configuration	Electric
Broil Element (Watts/h)	Sheathed Heater 3,800W
Bake Element (Watts/h)	2400W / 4 Pass (Exposed)
Oven Cooking	Conventional
Oven Modes	Bake, Broil, Warm, Pizza, Self Clean, EasyClean®, Remote Start, Delayed Timed Cook, Timed Cook
Oven Control Features	Glass Touch (SmoothTouch™)
EasyClean®	Yes
EasyClean® time	10mins
Self Clean	Yes
GoCook Smart Oven Light	Yes
No. of Rack Positions	2
Door Lock	Yes

LOWER OVEN FEATURES

Broil Element (Watts)	3800W / 6 Pass
Convection Type	ProBake Convection®
Convection Burner (Watts)	2500W / 2 Turn (ProBake Convection®)
Convection Conversion	Yes
Oven Modes	Bake, Conv. Bake, Conv. Roast, Warm/Proof, Broil, Frozen meal, Air Fry, Air Sous-vide, Easy-Clean®, Self Clean, Remote Start, Delayed Timed Cook, Timed Cook
Oven Control Features	Glass Touch (SmoothTouch™)
EasyClean®	Yes
EasyClean® time	10mins
Self Clean	Yes
GoCook Smart Oven Light	Yes
No. of Rack Positions	4
Door Lock	Yes
Auto Safety Shut-Down	After 12 Hours

ACCESSORIES

Standard Rack	Yes (3)
Cooktop Cream/ Cleaner	Yes

ThinQ® SMART FEATURES

ThinQ® (Wi-Fi Enabled)	Yes
ThinQ UP	Yes
Check & Control	Yes
Voice Control	Google Assistant & Amazon Alexa
Smart Recipe (3rd Party Recipe App)	Yes
Proactive Customer Care	Yes
SmartDiagnosis™	Yes

ENERGY

ENERGY STAR® Certified	Yes
Energy Consumption (kWh/Year)	195

POWER/ RATINGS

Amp at 208V / 240V	55.3A/63.3A
kW at 208V / 240V	11.5kW/15.2kW

REQUIRED POWER SUPPLY

Required Power Supply	40A
-----------------------	-----

DIMENSIONS/ CLEARANCES/ WEIGHT

Shipping Weight (lbs)	212.53
Product Weight (lbs)	186.5
Cabinet Width (in)	30"
Overall Depth (in) - without handle	26 27/32"
Overall Depth (in) - including handle	29 1/4"
Overall Height (in) - including backguard	46 15/32"
Overall Width (in)	29 15/16"
Oven Interior Dimensions (Upper) (in) (W x H x D)	24 13/16" x 10 13/16" x 19 13/16"
Oven Interior Dimensions (Lower) (in) (W x H x D)	24 13/16" x 14 1/4" x 19 15/16"
Height to Cooking Surface (in)	36"
Carton Dimensions (in) (W x H x D)	32 1/2" x 51" x 30 1/2"

LIMITED WARRANTY

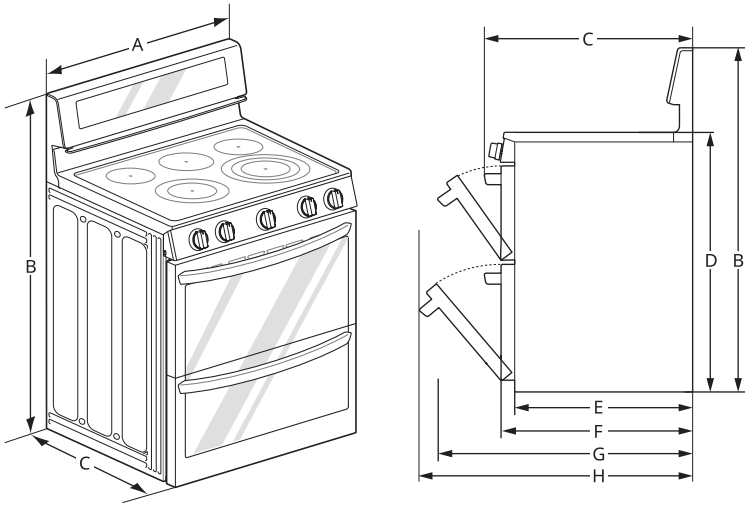
Parts & Labor	1 Year
---------------	--------

UPC CODE

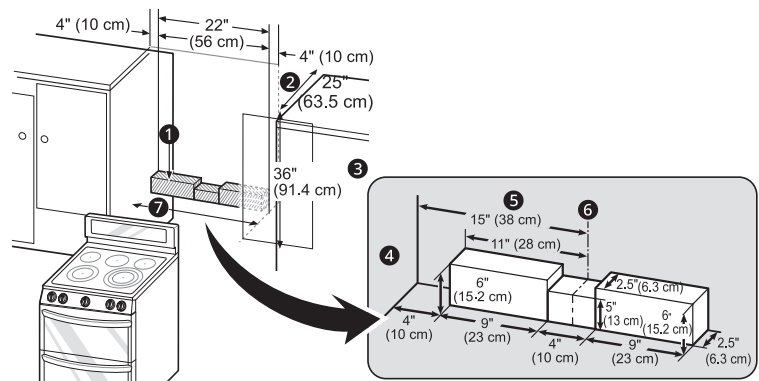
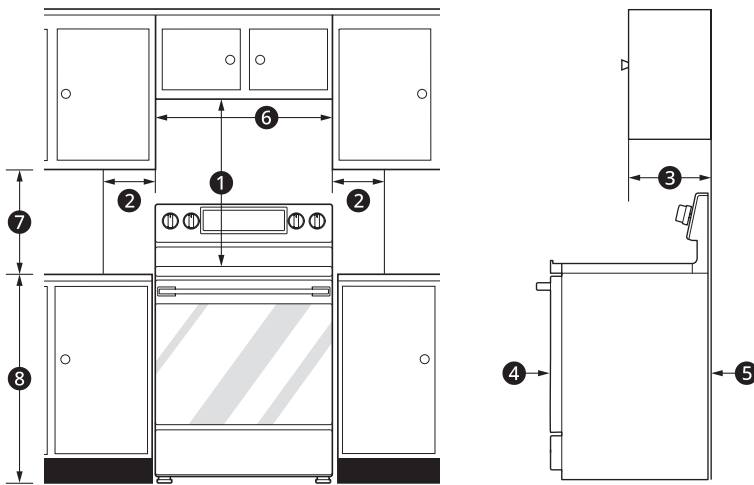
LDEL7324YE	048231349086
------------	--------------

LDEL7324YE

DIMENSION / CLEARANCES



DIMENSIONS		
A	Width	29 15/16" (760.8 mm)
B	Height	46 15/32" (1180.1 mm)
C	Depth (Includes Door Handle)	29 1/4" (743.1 mm)
D	Height (Cooking surface)	36" (913.0 mm)
E	Depth (Includes only the product body that is loaded into the cabinet. Excludes door, drawer, and handles)	24 3/4" (628.5 mm)
F	Depth (Excludes Door Handle)	26 27/32" (682.0 mm)
G	Depth when drawer is fully opened	38 5/8" (981.2 mm)
H	Depth when door is fully opened	42 3/16" (1072.2 mm)



CLEARANCES	
1	Acceptable Electrical Outlet Area
2	Normal Countertop Depth
3	Countertop Height
4	Cabinet
5	Wall
6	Center
7	Cabinet Opening = 30" (76.2 cm) For U.S.A. = 30" (76.2 cm) - 31" (78.7 cm) For CANADA

MINIMUM DIMENSIONS		
1	Minimum distance from top of range to combustible surface overhead	30" (76.2 cm)
2	Minimum clearance to left/right wall	5" (12.7 cm)
3	Maximum depth for cabinets above countertops	13" (33.0 cm)
4	Front edge of the range side panel forward from cabinet	2 1/4" (6.3 cm)
5	To cabinets below cooktop and at the range back)	0"
6	Minimum opening in overhead cabinets	30" (76.2 cm)
7	Minimum distance from countertop to overhead cabinets at side	15" (38.1 cm)
8	Height of countertop	36" (91.4 cm)

NOTE

- 1 30" (76.2 cm) minimum clearance between the top of the cooking surface and the bottom of an unprotected wood or metal cabinet; or 24" (60.9 cm) minimum when bottom of wood or metal cabinet is protected by not less than 1/4" (0.64 cm) flame retardant millboard covered with not less than no. 28MSG sheet steel, 0.015" (0.381 mm) stainless steel, 0.024" (0.610 mm) aluminum or 0.020" (0.508 mm) copper.
- 7 15" (38.1 cm) minimum between countertop and adjacent cabinet bottom.
- Important - Save for the use of the local electrical inspector.
- For installation in Canada, a free-standing range is not to be installed closer than 15/32" (12 mm) from any adjacent surface.