

LSCI307ST

30" Induction Cooktop



Time Efficient, Energy Efficient

COOKING PERFORMANCE

- 4 Induction Cooking Elements with Bridge
- LG's Exclusive 100% Induction Bridge Element

STYLE AND DESIGN

- Premium Stainless Steel Trim

CONVENIENCE

- SmoothTouch™ Controls
- Premium Grade Griddle Included



● Stainless Steel (ST)

LSCI307ST

30" Induction Cooktop



How Does Induction Work?

The electromagnetic energy generated by an induction coil reacts only with iron-like metals, not with ceramic surfaces. The pot absorbs the electromagnetic energy, and converts it into heat. Only the bottom of the pot is heated, which guarantees even heating, safety and energy savings.

Bridge Element with 100% Induction Cooking

In addition to being used separately, the left front and left rear elements can be joined by the bridge element to evenly heat longer pans and griddles; perfect for your pancakes and French toast. Unlike most manufacturers, LG's induction cooktop features a bridge element that uses 100% induction, with no need for a traditional heating element.

SmoothTouch™ Controls

Activate and control the temperature setting with the touch of a finger.

Cooking Zone Layout

Accommodates all kinds of cooking needs from large pan to the supplied griddle.

Streamlined Design

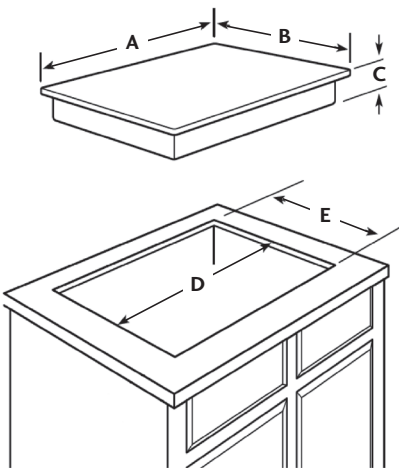
Elegant ceramic glass with a premium stainless steel trim will complement any kitchen décor.

TYPE	
Type	Electric Induction
Size	30"
Cooking Surface	Ceramic Glass
No. of Elements	4
No. of Heat Settings	9 Levels + Boost
FEATURES	
Controls Type / Location	Glass Touch / Front Center
Hot Surface Indicator	•
Electronic Clock & Timer	•
Control Lock Function	•
Special Function	Induction Bridge
CONFIGURATION	
Element Size and Wattage	
Left Front	7" / 1800W (2400W)
Left Rear	7" / 1800W (2400W)
Right Front	6" / 1400W (1800W)
Right Rear	10 1/4" / 2400W (3300W)
SAFETY FEATURES	
Child Lock	•
Automatic Shut-Off	17 Hours
MATERIALS/FINISHES	
Surface / Frame Trim	Black / Stainless Steel
DIMENSIONS	
A: Product Width	30 13/16"
B: Product Depth	21 1/2"
C: Product Height	2 3/16"
D: Cut-Out Width	29 3/8"
E: Cut-Out Depth	20 1/4"
Net Weight	40.1 lbs.
POWER SOURCE/WARRANTY	
Electrical Requirements	240V/208V
Power Cable Location	Left Rear
Total Connected Load	7.4kW @ 240V, 6.7kW @ 208V
ACCESSORIES	
Griddle	•
Cooktop Cream/Cleaner	•
Cleaning Pad	•
WARRANTY	
	2 Years
UPC CODE	
LSCI307ST	048231317467



Installation Reference

(See chart at right for measurements)



www.LG.com

LG Electronics U.S.A., Inc.

1000 Sylvan Avenue Englewood Cliffs, NJ 07632
Customer Service and Technical Support: (800) 243-0000

Dimensions and weights are approximate. Design, features and specifications subject to change without notice.

© 2011 LG Electronics USA, Inc. All rights reserved. "LG Life's Good" is a registered trademark of LG Corp. All other product and brand names are trademarks or registered trademarks of their respective companies. 06/11