

MAKE THE MOST OF YOUR

SEDONA BY LYNX™

CARE & USE/FIRE PIT INSTALLATION



Warning: Improper installation, adjustment, alteration. Service or maintenance can cause severe injury or death, and may result in property damage. Read these installation, operating and maintenance instructions thoroughly before installing or servicing this appliance.

**INSTALLER: THIS MANUAL MUST BE LEFT WITH THE APPLIANCE.
CONSUMER: KEEP THIS MANUAL FOR FUTURE USE.**



WARNING

READ THIS MANUAL CAREFULLY and completely before using your grill to reduce the risk of:

1. Fire
2. Burn hazard, personal injury or property damage
3. Ruined steaks or other unpleasant cooking experiences
4. Unapproved installation or servicing.

THIS PRODUCT IS DESIGNED FOR OUTDOOR USE ONLY. Improper installation, adjustment, alteration, service or maintenance can cause property damage, injury or death.

Read this manual thoroughly before installation, use, or servicing of this product.



DANGER

IF YOU SMELL GAS:

1. Shut off all gas supply lines to the grill.
2. Extinguish any open flames.
3. Carefully open the lid. Remember, it may be extremely hot!
4. If odor continues, keep everyone away from the grill and immediately call your gas supplier or your fire department.



DANGER

S'IL Y A UNE ODEUR DE GAZ:

1. Coupez l'admission de gaz de l'appareil.
2. Éteindre toute flamme nue.
3. Ouvrir le couvercle.
4. Si l'odeur persiste, éloignez-vous de l'appareil et appelez immédiatement le fournisseur de gaz ou le service d'incendie.



WARNING

1. DO NOT store or use gasoline or other flammable vapors and liquids in the vicinity of this or any other appliance.
2. An LP cylinder not connected for use shall not be stored in the vicinity of this or any other appliance.



AVERTISSEMENT

1. Ne pas entreposer ni utiliser de l'essence ni d'autres vapeurs ou liquides inflammables dans le voisinage de l'appareil, ni de tout autre appareil.
2. Une bouteille de propane qui n'est pas raccordée en vue de son utilisation, ne doit pas être entreposée dans le voisinage de cet appareil ou de tout autre appareil.



WARNING! CALIFORNIA PROPOSITION 65

1. The burning of gaseous fuel generates some by-products which are on the list of substances which are known by the State of California to cause cancer or reproductive harm.
2. California law requires businesses to warn customers of potential exposure to such substances. To minimize exposure to the substances, always operate this unit according to the use and care instructions found in this manual. Be certain to provide adequate ventilation when in operation

WARNINGS



WARNING

- Never use dented, rusty or damaged propane cylinders. Never store additional or empty propane cylinders in the grill cabinet or in the vicinity of this or any other appliance. Do not store propane cylinders indoors or on their sides.
- Children should never be left alone or unattended in an area where a grill is located. Place your grill well away from areas where children play. Do not store items that may interest children in or around the grill, in the cart, or in the masonry enclosure.
- Never move the grill when hot. When in use, portions of the grill are hot enough to cause severe burns.
- Always maintain the required clearances from combustibles as detailed. The grill is designed for outdoor use only. Never use in a garage, building, shed, breezeway, or other enclosed area. Do not use this grill under any overhead combustible construction.
- Gas grills are not designed or certified for and are not to be installed in or on recreational vehicles, portable trailers, boats or any other moving installation.
- Always have an ABC Fire Extinguisher accessible — never attempt to extinguish a grease fire with water or other liquids.
- Storing your grill: Store your grill in a well-ventilated area. If stored indoors, detach and leave L.P. cylinder outdoors in a well-ventilated area away from heat and away from where children may tamper with it.
- Keep any electrical supply cord and the fuel supply hose away from any heated surfaces. Electrical cords should be placed away from walkways to avoid tripping hazard.
- Do not repair or replace any part of the grill unless specifically recommended in this manual. Other service should be performed by a qualified technician.
- If the grill is installed by a professional installer or technician, be sure that he/she shows you where your gas supply shut-off is located. All gas lines must have a shut-off that is readily and easily accessible. If you smell gas, check for gas leaks immediately. Check only with a soap and water solution. (See INDEX: “Leak Testing” for further details.) Never check for gas leaks with an open flame.
- Inspect the L.P. gas supply hose prior to each use of the grill. If there is evidence of excessive abrasion or wear, or the hose is cut, it must be replaced before using the grill.
- Never remove the grounding prong from the plug or use this product with an ungrounded, 2-prong adapter.

THIS MANUAL MUST REMAIN WITH THE PRODUCT OWNER FOR FUTURE REFERENCE.

To obtain replacement parts or service contact:

**Lynx Grills
7300 Flores Street
Downey, CA 90242
888-289-5969**



WARNING

1. This outdoor appliance and its individual shutoff valve must be disconnected from the gas supply piping system during any pressure testing of that system at test pressures in excess of 1/2 psi (3.5 kPa).
2. This outdoor appliance must be isolated from the gas supply piping system by closing its individual manual shutoff valve during any pressure testing of the gas supply piping system at test pressures equal to or less than 1/2 psi (3.5 kPa).



STATE OF MASSACHUSETTS

1. Massachusetts requires all gas be installed using a plumber or gas fitter carrying the appropriate Massachusetts license.
2. All permanently-installed natural gas or propane installations require a "T" handle type manual gas valve be installed in the gas supply line to this appliance.
3. This does not apply to portable propane installations using a 20 pound cylinder.



DANGER

1. This appliance produces carbon monoxide which has no odor.
2. Using this appliance in an enclosed space can cause death.
3. Never use this appliance in an enclosed space. Never use in a garage, building, shed, breezeway, or other enclosed area.

Prior to assembly of your Sedona Fire Pit you may want to consider the location of the fire pit. Do you have prevailing winds which may effect the burner operation? Is the ground you plan on installing the fire pit level and firm? Do you have an assistant to help with positioning the fire pit and table top. The table top may be heavy and awkward to handle alone.

Before you can use the fire pit you must install the table top on the fire pit base, and install the burner assembly to the table top. The LP gas tank must be installed and connected properly to the burner assembly and the controls connected for proper operation.

Please read these instructions carefully and completely before proceeding. Incorrect installation and assembly may result in fire, damage or personal injury or death.

IMPORTANT SAFETY PRECAUTIONS

PLEASE REVIEW THESE IMPORTANT SAFETY PRECAUTIONS BEFORE YOU USE YOUR FIRE PIT.

1. NEVER LEAVE THE FIRE PIT UNATTENDED WHILE IN USE.
2. Follow the instructions in this manual carefully to reduce the risk of personal injury, death or property loss.
3. Ensure all tie-down wires have been removed from the burners.
4. Always use caution when operating the appliance in a windy area.
5. Avoid wearing loose-fitting garments or long sleeves while adjusting fire pit media. They could ignite.
6. Never touch the appliance rocks or immediate surrounding surfaces with your bare hands while in operation.
7. Use only the type of fuel specified on the appliance rating plated located Verify the fuel gas is correct and the proper pressure is available. Never use wood, charcoal or any other solid fuel or liquid fuel in this fire pit.
8. Never replace the River Rocks with any other material such as granite, marble or any other dense stone as these may crack or burst under flame and heat.
9. Do not use the appliance unless a leak check has been performed on all gas connections. (See INDEX: "Leak Testing" for further details.)
10. Never operate the appliance while under the influence of alcohol or drugs.
11. Do not lean on table shelves and never place a load weighing more than 25 pounds on the shelf.
12. If the burner does not light or goes out during operation, turn off all gas control knobs and wait five (5) minutes before attempting to re-light.

SEDONA FIRE PIT ASSEMBLY INSTRUCTIONS

STEP1: Unpack the table top and the base. Remove all packing materials, tie down straps and any other packaging.

STEP2: Place the fire pit base on a flat firm surface. The Fire Pit must be on solid ground or pavers so it will not sink over time.

STEP3: With the help of an assistant, place the table top on top of the base, making sure the table top is centered properly.



BURNER AND IGNITION CONTROLS ...continued



Quick Disconnect and Igniter Connection

Step 1

Install burner and burner pan in the table top opening. This can be accomplished in one or two ways. Before dropping the burner pan into the enclosure, connect the quick disconnect device to the burner, and the ignition wire from the igniter module to the electrode. As an alternative you can install the burner pan into the table top, and working from the base access door, connect the quick disconnect hose gas supply and the ignition electrode wire. Do not add the burner media until you check the spark ignition in the next step.



Ignition Wire Connector



BURNER AND IGNITION CONTROLS ...continued



Step 2

Press the ignition button and verify a spark is present at the spark electrode at the burner assembly. If you do not see or hear a spark, please refer to the trouble shooting section of this manual. If the ignition spark is present, proceed to the next step, addition of burner media

MEDIA INSTALLATION

Your Fire Pit needs burner media in order to create realistic, natural looking flame effects. Follow the instructions outlined below to create safe and pleasing fire effects.

STEP1: Install the burner pan as described above

STEP2: Add lava rocks and spread evenly to cover the entire burner assembly, and an additional ½ - 1" deep.

STEP3: Add river rocks in a single layer, to cover the lava rock



INSTALLING THE LP CYLINDER



WARNING

The LP Gas cylinder, or tank, must comply with U.S Department of Transportation (D.O.T.) Specifications for LP Gas Cylinders or the Standard for Cylinders, Spheres and Tubes for Transportation of Dangerous Goods and Commission CAN/CSA-B339. The cylinder must be protected with a listed overfill prevention device and provided with a connection device compatible with the appliance connector. Failure to meet this requirement may create a hazardous condition resulting in personal injury, death or damage to personal property, and may pose a risk of fire or explosion.

INSTALLING THE LP CYLINDER...*continued*



Step 1

The LP tank is brought into the fire pit enclosure and secured to the base by at the bottom ring of the cylinder. The tank retention bolts are screwed into the bottom collar of the tank to hold it in place.



Step 2

Connect the LP hose and regulator assembly to the LP Cylinder. Do not use tools when making this connection, the knob must be hand tightened only. Make sure the burner control valve is in the OFF position before opening the cylinder valve.

SAFETY PRECAUTIONS

Inspect the LP gas hose and connections before each use. If there is any damage from normal operating conditions, weather, rodents or other adverse conditions so not use the hose. Turn OFF the LP tank valve and replace the hose and regulator assembly. Replacement parts are available from the manufacturer.

Before using your fire pit you must test all gas connection to ensure leak free connections. Gas connections can be tested with a solution of 1 part dish soap to 3 parts water. Turn on gas at the cylinder gas valve. Brush or spray the solution on all connections and look for the formation of bubbles. **NEVER USE AN OPEN FLAME TO CHECK FOR LEAKS.** If you find any leaks, tighten the connections and retest. If you cannot stop the leak, turn of the gas at the cylinder gas valve and call a qualified repair technician, or contact Lynx Grills to arrange a service call.

Inspect the burners assembly regularly for damage. Clean any blocked ports. Be aware that insects like to make webs inside burner assemblies and hoses.

LIGHTING INSTRUCTIONS

STEP1: Make sure the gas valve on the LP Tank is in the open position

STEP2: Start the spark igniter by pressing the ignition button. The starter will stay on until the button is pressed again.

STEP3: Using the Gas Valve Key, open the gas control valve through the opening in the control panel. Turn the key to the left (counter-clockwise) until it is full open. The burner should light immediately. If the burner does not light in 4 seconds, turn the gas valve OFF, push the ignition button to turn off the igniter, Wait 5-minutes for any gas to dissipate, then try again steps 2 and 3 again. If the burner fails to light contact Sedona Customer Care.

STEP4: If the burner has lit, push in the ignition button to shut of the ignition module.

STEP5: Use the gas valve key to adjust the flame to a comfortable level. DO NOT LEAVE A LIT FIRE-PIT UNATTENDED!



SHUTTING DOWN THE FIRE PIT

STEP1: Using the Gas Valve Key Turn off the gas to the burner by turning the Key to the right (clockwise) until the valve fully closed

STEP2: Shut OFF the LP tank gas valve

CONVERTING TO A REFRESHMENT BOWL

You new Sedona Fire Pit is easily converted into a icy beverage holder for those warm days when a fire pit is not needed.

STEP1: Shut off gas from the LP cylinder

STEP2: Disconnect the ignition wire at the Molex Connector

STEP3: Lift out the burner pan using the convenient handle

STEP4: Insert the Ice pan into the cutout opening

STEP5: Fill with ice and your favorite beverages and enjoy.

REFRESHMENT BOWL CONVERSION



1. Remove gravel pan from top



2. Place refreshment bowl into top



3. Refreshment bowl

FEATURES

Model No. LFPC-S & LFPC-G.

LFPS-S & LFPS-G

44" round top on round pedestal with unique nautilus burner.

44" square top on round pedestal with unique nautilus burner.

Tumbled volcanic variegated stone.

Access door provides easy accessibility to LP Tank and battery compartment.

PERFORMANCE

65,000 BTU max.

TECHNICAL

Fuel Type: LP Standard / NG Kit available.

Electric pushbutton ignition with manual valve for flame setting.

ACCESSORIES

NG Conversion Kit available.

Caster Kit available.

Vinyl Cover (included).

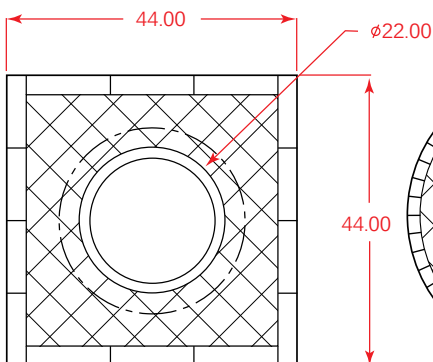
PRODUCT DIMENSIONS

Overall diameter

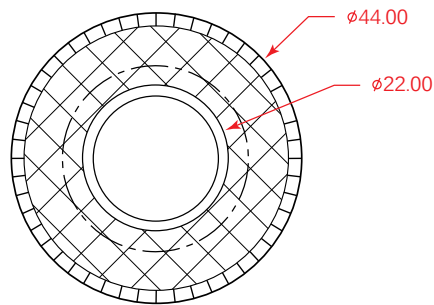
44"

Overall height

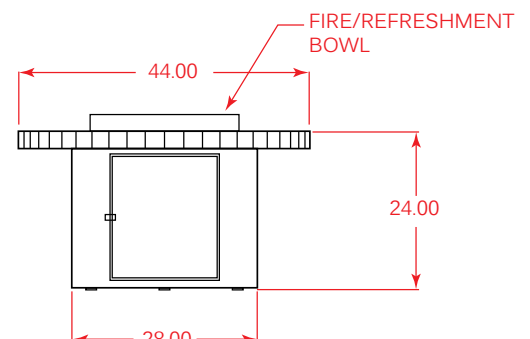
approx. 24"



TOP VIEW



TOP VIEW



FRONT VIEW

Lynx Grills
7300 Flores Street
Downey, CA 90242
Service: (888) Buy-Lynx (888-289-5969)
Fax: (562) 299-6789
www.lynxgrills.com

