

26 cu. ft. Counter Depth MAX™ Refrigerator

- 26 cu. ft. Large Capacity
- External Ice & Water Dispenser
- Ice Plus
- Fresh Air Filter
- Door Cooling
- Smart Inverter
- PrintProof™ Noble Steel
- ThinQ®

KEY FEATURES

SMART APPLIANCE

PRODUCT FEATURES

AVAILABLE COLORS

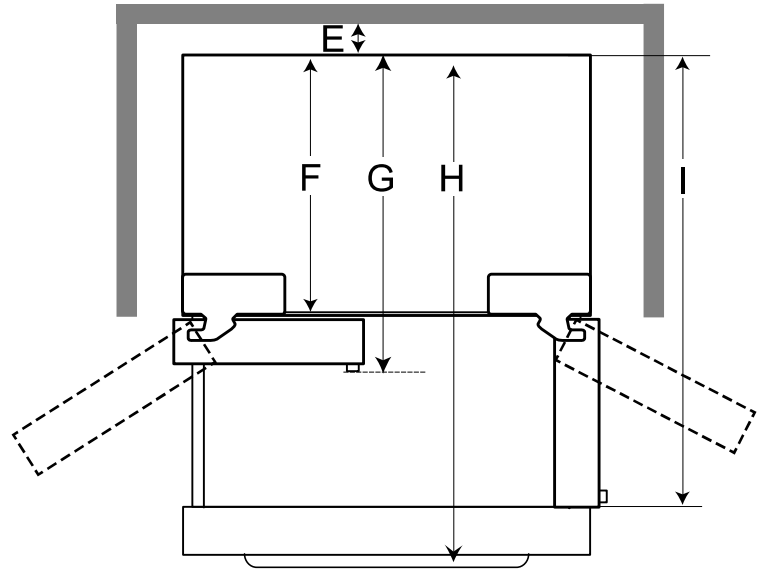
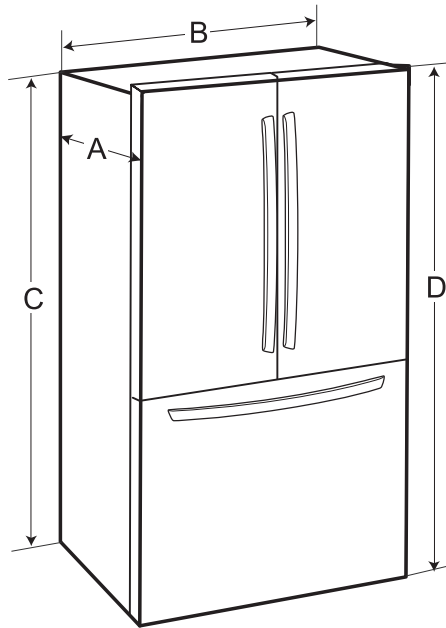


ThinQ Care

Proactive Smart Alerts to Keep Your Appliances Running Smoothly

- Preventative Alerts help you stay a step ahead of potential issues to find proactive solutions before problems arise.
- Avoid preventable repairs and service calls with real-time diagnostics for a hassle-free experience.
- Integrated within LG's ThinQ app—a smart home hub for managing your smart devices and appliances.

SUMMARY		ICE & WATER SYSTEM		DIMENSIONS/CLEARANCES/WEIGHTS	
Refrigerator (cu.ft.)	16.9	Dispenser	Ice & Water	Total (WxHxD)	35 3/4" x 70 1/4" x 29 1/8"
Freezer (cu.ft.)	8.6	Dispenser Color	Dark Graphite	Width	35 3/4"
Total Capacity (cu.ft.)	25.5	No. of In-door Ice Maker	1	Height (Top of Hinge or Door cap Décor)	70 1/4"
ENERGY		In-door Ice Maker Ice Type	Cubed / Crushed	Width (Door Open 90° without Handle)	40"
ENERGY STAR® Certified	Yes	In-door Ice maker Daily production (lbs)	3.0 / 3.3 (Ice Plus) lbs.	Case Edge Clearance (Door Fully Open)	21" (R) 9 5/8" (L) 11 3/8"
Energy Consumption (kWh/Year)	699	In-door Ice Storage Capacity	3.0 lbs	Width (Door Fully Open without Handle)	56 3/4"
REFRIGERATOR		Ice Plus	Yes	Door Edge Clearance without Handle	2 1/4"
No. of Shelves	4 Split (4 Fixed)	Filteration System	1 Stage	Height to Top of Case	68 7/8"
Shelf Construction	Spill Protector Tempered Glass	Filter	LT1000P	Height (Floor to Top of Freezer Door)	27 7/8"
Shelf Trim	White décor	COOLING		Depth without Door	24 3/4"
No. of Crisper Bins	2	Compressor Type	Smart Inverter Compressor	Depth without Handles	29 1/8"
Light	Yes	Refrigerant	R600a / 78g / 2.75oz	Depth (to Hinge Cover)	18 1/4"
Cool Guard	No	Evaporator	1	Depth (Total with Door Open)	43 5/8"
Fresh Air Filter	Yes	Multi Air Flow Cooling	Yes	Depth (Draw Open Fully without Handle)	48 7/8"
Light	Yes	Door Cooling	Yes	Installation Clearance	Sides 1/8", Top 1", Back 2"
REFRIGERATOR DOOR		Temperature Sensors	2	Carton Dimensions (WxHxD)	38" x 73" x 32"
No. of Door Bins (left door)	3	DISPLAY		Weight (Unit/Carton)	262 lbs / 284 lbs
No. of Door Bins (right door)	3	Display Type	Smooth Touch Control / White LED	LIMITED WARRANTY	
Door Shape	Flat	Temperature Control	Electronic/ Digital	Parts & Labor	1 Year
Handle Type	Pocket	Door Alarm	Yes	Sealed System (Parts & Labor)	5 Years
FREEZER		Child Lock	Yes	Compressor (Parts & Labor)	5 Years
Door Type	Pull Drawer	Smart Diagnosis	Yes	Inverter Compressor (Parts only)	6-10 Years
Handle Type	Pocket	Auto Closing Door Hinge	Yes	UPC CODES	
Drawers / Shelves	2-Tier Organization	Wi-Fi Enabled	Yes	LF26C6230V	195174133781
Freezer Light Upper	LED Lighting	ThinQ®	Yes		
		ThinQ® Care	Yes		
		Sabbath Mode	Yes		
		ADA Compliant	Yes		
		MATERIALS & FINISH			
		Hidden Hinges	Yes		
		All Available Colors	Noble Steel		
		PrintProof™	Yes		
		Insulation	Low GWP and Zero ODP Blowing Agent		



DIMENSION / CLEARANCES

- Check the dimensions of the appliance and the installation path to ensure there is sufficient room to move the refrigerator through doors or narrow openings.
- If an opening is too narrow to fit the refrigerator through, remove the refrigerator doors. See Removing/ Assembling the Doors and Drawers in this manual.
- The installation location chosen for the refrigerator should allow space behind the unit for connections and airflow and space in front to open the doors and drawers.
- Too small of a distance from adjacent items may result in lowered freezing capability and increased electricity consumption charges. Allow at least 24 inches (610 mm) in front of the refrigerator to open the doors, and at least 2 inches (50.8 mm) between the back of the refrigerator and the wall.

DIMENSIONS

A	Depth without Handle	29 1/8" (739 mm)
B	Width	35 3/4" (908 mm)
C	Height to Top of Case	68 7/8" (1750 mm)
D	Height to Top of Hinge	70 1/4" (1785 mm)
E	Back Clearance	2" (50 mm)
F	Depth without Door	24 3/4" (628mm)
G	Depth with Handle	31 5/8" (802mm)
H	Depth (Total with Freezer Drawer Open)	48 7/8" (1239 mm)
I	Depth (Total with Door Open 90°)	43 5/8" (1106mm)

LEVELING THE REFRIGERATOR

The refrigerator has two front leveling legs. Adjust the legs to alter the tilt from front-to-back or side-to-side.

If the refrigerator seems unsteady or the doors do not close easily, adjust the refrigerator's tilt, using the instructions below:

1. Turn the leveling leg to the left to raise that side of the refrigerator or to the right to lower it. It may take several turns of the leveling leg to adjust the tilt of the refrigerator.
2. Open both doors, and check to make sure that they close easily. If the doors do not close easily, tilt the refrigerator slightly more to the rear by turning both leveling legs to the left. It may take several more turns, and be sure to turn both leveling legs the same amount.

NOTE

- A flare nut wrench works best, but an open-end wrench will suffice. Do not over-tighten.

