



ENGLISH

ESPAÑOL

OWNER'S MANUAL

DISHWASHER

Read this owner's manual thoroughly before operating the appliance and keep it handy for reference at all times.

LDT779#** LDP679#**

LDP567#** LDT566#**

LDF554#**



MFL69261715
Rev.00_112816

www.lg.com

TABLE OF CONTENTS

3 PRODUCT FEATURES

4 SAFETY INSTRUCTIONS

- 4 IMPORTANT SAFETY INSTRUCTIONS

9 PRODUCT OVERVIEW

- 9 Exterior Parts
- 10 Interior Parts
- 10 Accessories

11 INSTALLATION

- 11 Installation Parts and Tools
- 12 Installation Overview
- 12 Product Dimensions
- 12 Product Specifications
- 13 Preparing Cabinet Opening
- 14 Preparing Electrical Wiring
- 14 Preparing Water Supply Connection
- 15 Preparing Dishwasher
- 16 Sliding Dishwasher into Cabinet
- 17 Leveling the Appliance
- 18 Securing Dishwasher to Countertop
- 18 Connecting Drain Hose
- 20 Connecting Water Supply
- 20 Connecting Power
- 21 Final Check

22 OPERATION

- 22 Using the Appliance
- 23 Control Panel
- 24 Cycles
- 25 Options
- 26 Cycle/Option Guide
- 27 Loading the Dishwasher
- 27 Loading the Lower Rack
- 29 Loading the Silverware Basket
- 30 Loading the Upper Rack
- 33 Loading the Cutlery Rack (On Some Models)
- 35 Adding Cleaning Agents

37 SMART FUNCTIONS

- 37 Application Installation
- 37 Product Registration
- 37 Using the Tag On Function
- 38 Using the Wi-Fi Function
- 40 Using Smart Diagnosis™

41 MAINTENANCE

- 41 Cleaning the Exterior
- 41 Cleaning the Interior
- 41 Seasonal Maintenance and Storage
- 42 Clogged Drain Air Gap or In-Sink Disposal
- 43 Cleaning the Filters
- 44 Cleaning the Spray Arms

45 TROUBLESHOOTING

- 45 FAQs: Frequently Asked Questions
- 47 User Support Videos
- 48 Before Calling for Service

51 WARRANTY

PRODUCT FEATURES

QuadWash™ System

Multi-Motion lower spray arm shoots water in various directions and at optimized intensities to reach every area of the tub. This system provides more powerful and complete cleaning coverage.

Inverter Direct Drive Motor

LG's experience in motor technology results in extraordinary functionality, with advanced features like the Dual Zone option, whisper-quiet operation, energy efficiency, and durability.

The simple design and high build quality of the motor make it so reliable that it's covered for 10 years under the warranty.

EasyRack Plus

This easy-to-use system of adjustable tines and rack height provides more flexibility and versatility when loading dishes of various shapes and sizes.

Hybrid Drying System

This efficient drying system does not use a heating element during the drying process resulting in superior energy efficiency and gentle care for dishes.

Smart ThinQ™


Download the new LG smart phone app to set options, self-diagnose and troubleshoot problems with the appliance, and other useful features. Some of these functions use Wi-Fi or NFC (Near Field Communication) technology and require an NFC-equipped smart phone.

SAFETY INSTRUCTIONS

READ ALL INSTRUCTIONS BEFORE USE

Your safety and the safety of others are very important.

We have provided many important safety messages in this manual and on your appliance. Always read and follow all safety messages.

 This is the safety alert symbol.
This symbol alerts you to potential hazards that can kill or injure you and others.
All safety messages will follow the safety alert symbol and either the word WARNING or CAUTION.

These words mean:

WARNING

You may be killed or seriously injured if you do not follow instructions.

CAUTION

You may be slightly injured or cause damage to the product if you do not follow instructions.

All safety messages will tell you what the potential hazard is, tell you how to reduce the chance of injury, and tell you what may happen if the instructions are not followed.

IMPORTANT SAFETY INSTRUCTIONS

WARNING

To reduce the risk of explosion, fire, death, electric shock, scalding or injury to persons when using this product, follow basic precautions, including the following:

California Safe Drinking Water and Toxic Enforcement Act

- This product contains chemicals known to the state of California to cause cancer and birth defects or other reproductive harm. *Wash hands after handling.*

INSTALLATION

- Connect to a properly rated, protected, and sized power circuit to avoid electrical overload.
- To reduce the risk of severe injury or death, follow all installation instructions.
- The appliance must be installed and electrically grounded by qualified service personnel in accordance with local codes.
- Disconnect the power supply line, house fuse or circuit breaker before installing or servicing the appliance.
- When moving or installing the product in a different location, call qualified service personnel for installation and service.
- Keep packing materials out of the reach of children. Packaging material can be dangerous for children. There is a risk of suffocation.
- Moving or installation of the appliance requires two or more people.
- This appliance is not designed for maritime use or for mobile installations such as in RVs, trailers, or aircraft.

- Store and install the appliance where it will not be exposed to temperatures below freezing or exposed to outdoor weather conditions.
- This appliance must be positioned near to an electrical power supply.
- Do not, under any circumstances, cut or remove the ground from the power supply line.
- When installing or moving the appliance, be careful not to pinch, crush, or damage the power supply line.
- Do not install the appliance in humid spaces.
- Destroy the carton, plastic bag, and other packing materials after the appliance is unpacked. Children might use them for play. Cartons covered with rugs, bedspreads, or plastic sheets can become airtight chambers.
- Never attempt to operate this appliance if it is damaged, malfunctioning, partially disassembled, or has missing or broken parts, including a damaged power supply line.
- Adhere to all industry recommended safety procedures including the use of long sleeved gloves and safety glasses.
- The installer must ensure that the dishwasher is completely enclosed at the time of installation.
- Use new hoses when connecting the appliance to the water supply. Do not reuse old hoses.
- After installing, check the hose connection for leaks.
- Do not damage or place heavy items on the power supply line of the appliance.

OPERATION

- Repair or immediately replace all power supply lines that have become frayed or otherwise damaged. Do not use a power supply line that shows cracks or abrasion damage along its length or at either end.
- If you detect a strange sound, a chemical or burning smell, or smoke coming from the appliance, unplug it immediately, and contact an LG Electronics customer information center.
- Never unplug the appliance by pulling on the power supply line.
- Do not use an extension cable or adapter with this appliance.
- Do not grasp the power supply line or touch the appliance controls with wet hands.
- Do not modify or extend the power cable.
- If the product has been submerged, contact an LG Electronics customer information center for instructions before resuming use.
- Do not store or use gasoline or other flammable vapors and liquids in the vicinity of this or any other appliance.
- Keep the area underneath and around your appliances free of combustible materials (lint, paper, rags, etc.), gasoline, chemicals and other flammable vapors and liquids.
- This appliance is not intended for use by persons (including children) with reduced physical, sensory or mental capabilities, or lack of experience and knowledge, unless they have been given supervision or instruction concerning the use of the appliance by a person responsible for their safety.
- If the electrical supply line is damaged, it must only be replaced by the manufacturer or its service agent or a similar qualified person in order to avoid a hazard.
- Do not abuse, sit on, or stand on the door of the appliance.
- Read all instructions before using the appliance and save these instructions.
- Use this appliance only for its intended purpose.

- Do not allow children to play on, in or with the appliance. Close supervision of children is necessary when the appliance is used near children.
- Do not tamper with controls.
- In the event of a gas leak (propane gas, LP gas, etc.) do not operate this or any other appliance. Open a window or door to ventilate the area immediately.
- Under certain conditions, hydrogen gas may be produced in a hot-water system that has not been used for two weeks or more. **HYDROGEN GAS IS EXPLOSIVE.** If the hot-water system has not been used for such a period, before using the appliance turn on all hot water faucets and let the water flow from each for several minutes. This will release any accumulated hydrogen gas. As the gas is flammable, do not smoke or use an open flame during this time.
- Fix the drain hose securely in place.
- Use only detergents or wetting agents recommended for use in a dishwasher and keep them out of the reach of children.
- Do not let children eat detergent or dishwasher rinse agent.
- When loading items to be washed:
 - Locate sharp items so that they are not likely to damage the door seal.
 - Load sharp knives with the handles up to reduce the risk of cut-type injuries.
- Do not wash plastic items unless they are marked "dishwasher safe" or the equivalent. For plastic items not so marked, check the manufacturer's recommendations.
- Do not touch the HEATING ELEMENT during or immediately after use.
- Do not operate your dishwasher unless all ENCLOSURE panels are properly in place.
- Do not abuse, sit on, or stand on the door or dish rack of the dishwasher.
- Do not install or store the dishwasher where it will be exposed to weather conditions.
- After cleaning the dishes, turn off the faucet. Turn on the faucet again and check the connection status of water supply hose before cleaning.
- Do not open the door while operating. For safety reasons, the drain pump operates if the door is opened, resulting in a longer cycle time.
- Be careful not to catch your hand when closing the door of the product.
- Do not plug the dishwasher into a damaged outlet.
- Do not install or keep the dishwasher near electrical components or exposed flames.
- Do not wash dishes exposed to gasoline, solvents or other flammable materials.
- When cleaning, do not spray water on the product directly.
- Do not press buttons with a sharp object such as an awl or pin.
- Do not use solvent-based detergent.
- Do not come into contact with the steam outlet.
- Small parts, such as rack clips and filter retaining posts can be a choke hazard to small children if removed from the dishwasher. Keep out of reach of small children.

MAINTENANCE

- Do not repair or replace any part of the appliance. All repairs and servicing must be performed by qualified service personnel unless specifically recommended in this Owner's Manual. Use only authorized factory parts.
- Do not disassemble or repair the appliance by yourself.
- Remove any dust or foreign matter from the power supply line.
- Disconnect this appliance from the power supply before cleaning and attempting any user maintenance. Turning the controls to the OFF position does not disconnect this appliance from the power supply.
- Remove the door before the appliance is removed from service or discarded to avoid the danger of children or small animals getting trapped inside.
- Unplug the appliance before cleaning to avoid the risk of electric shock.
- Before discarding the appliance, cut off the power supply line and destroy the appliance's control panel.

GROUNDING INSTRUCTIONS

- For a permanently connected dishwasher: This appliance must be connected to a grounded metal, permanent wiring system, or an equipment-grounding conductor must be run with the circuit conductors and connected to the equipment-grounding terminal or lead to the appliance.
- Connect the ground wire to the green ground connector in the terminal box.

TIP OVER HAZARD

- Do not use the dishwasher until completely installed.
- Do not push down on the open dishwasher door.
- Failure to follow these instructions may result in serious injury or cuts.

SAVE THESE INSTRUCTIONS

⚠ CAUTION

To reduce the risk of minor injury to persons, malfunction, or damage to the product or property when using this product, follow basic precautions, including the following:

INSTALLATION

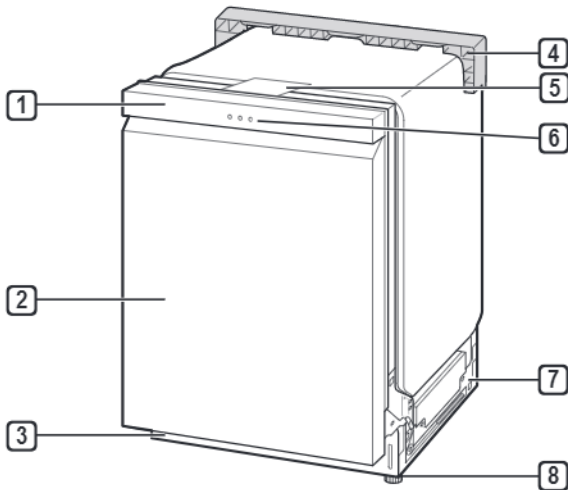
- Install the product on a firm and level floor.
- This dishwasher must be connected to a hot water supply with a temperature range between 120 °F (49 °C) and 149 °F (65 °C). This temperature range provides the best washing results and shortest cycle time. The temperature should not exceed 149°F (65 °C) to prevent damage to dishes.
- Do not put the drain hose under the dishwasher during installation.

OPERATION

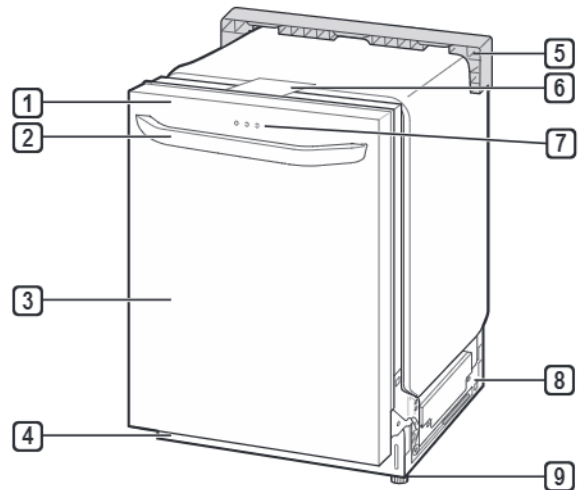
- Do not place objects on top of the appliance.
- Turn off the water faucets and unplug the appliance if the appliance is to be left for an extended period of time, such as during vacations.
- Do not store or spill liquid detergents, cleaners, or bleaches (chlorine bleach, oxygen bleach) on the appliance. Doing so may result in corrosion, discoloration or damage to the surface of the appliance.
- Do not touch draining water which may be hot.
- If the drain hose and the water supply hose are frozen in winter, defrost before using the appliance.
- Do not put hands, feet, or metal objects below or behind the appliance.
- Do not put the drain hose under the dishwasher during installation.

PRODUCT OVERVIEW

Exterior Parts



- 1 Control Panel & Door Handle
- 2 Front Cover
- 3 Lower Cover
- 4 Shipping Brace
- 5 Safety Cover
- 6 Signal Light (some models)
- 7 Base
- 8 Leveling Feet



- 1 Control Panel
- 2 Door Handle
- 3 Front Cover
- 4 Lower Cover
- 5 Shipping Brace
- 6 Safety Cover
- 7 Signal Light (some models)
- 8 Base
- 9 Leveling Feet

NOTE

- Do not remove the safety cover at any time.

Signal Light (Front Display)

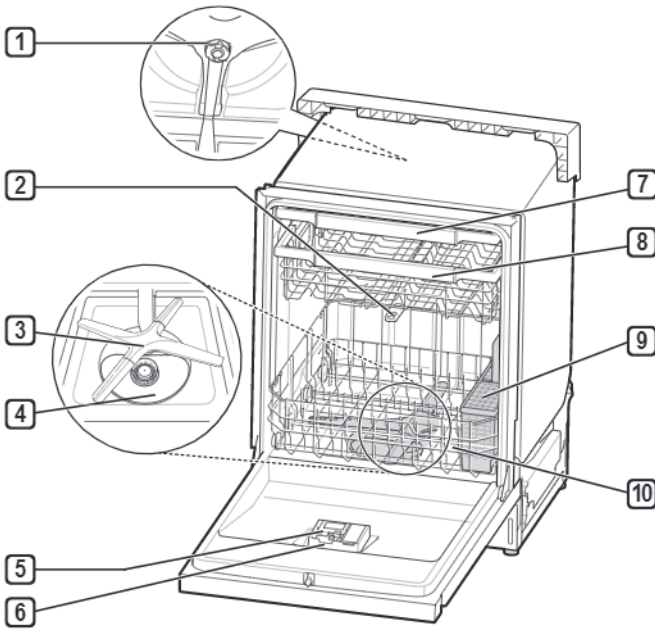
The top-control models have 3 indicator LEDs centered at the top of the front cover.

- Red : Error (See the Error Codes in Troubleshooting section.)
- White (steady): Normal operation
- White (blinking): Cycle has been paused. (After four minutes in pause mode, the machine turns off.)
- Green: Cycle finished normally.

The green light stays on for 90 seconds.

To keep the green light on until the door is opened, turn the power on, and then press and hold **High Temp** on the control panel for 3 seconds until OFF or On appears in the display. The dishwasher remembers this setting until manually changed.

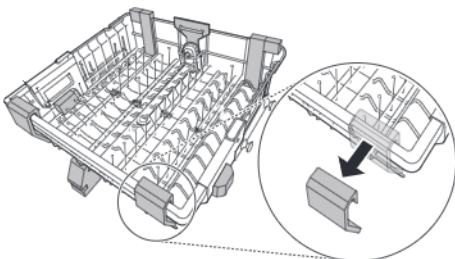
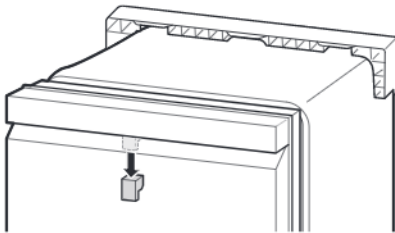
Interior Parts



- 1 Top Wash Impeller
- 2 Upper Spray Arm
- 3 Lower Spray Arm
- 4 Filtration System
- 5 Detergent and Rinse Aid Dispenser
- 6 Drying Vent Cover
- 7 Cutlery Rack (some models)
- 8 Upper Rack
- 9 Silverware Basket
- 10 Lower Rack

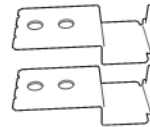
NOTE

- The silverware basket ships installed at the back of the bottom rack. For best performance, install it along the right side as shown in the Interior Parts section.
- Remove all packing materials from the exterior and interior of the dishwasher before installing the appliance.



Accessories

Included Accessories



Installation brackets (2ea)



Wood screws (4ea)



Hose clamp (1ea)

INSTALLATION

Installation Parts and Tools

Parts not Provided



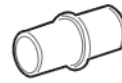
Electrical cable



Water supply tube



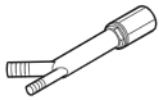
Fittings for tube



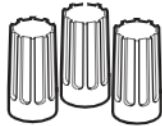
Coupler



Teflon™ tape



Air gap



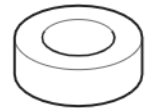
Wire nuts for 16-gauge wiring



Hose clamp

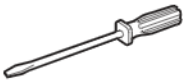


¾" UL approved strain relief

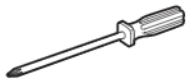


Electrical tape

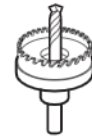
Tools Needed



Flat-blade screwdriver



Phillips screwdriver



Hole saw min. 2½" bit



Electrical drill



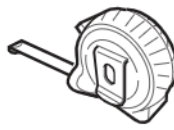
Gloves



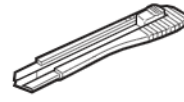
Safety glasses



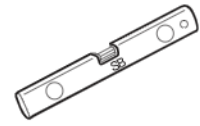
Adjustable wrench



Tape measure



Utility knife



Level



Tubing cutter



Nipper



Pliers



Wire stripper



¼" Square drive wrench

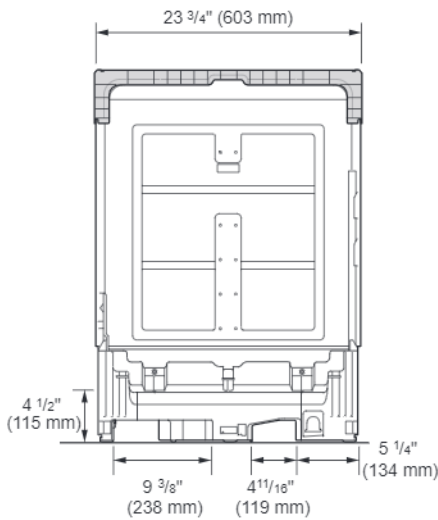
Installation Overview

Preparing Cabinet Opening
 Preparing Electrical Wiring
 Preparing Water Supply Connection
 Preparing the Dishwasher
 Removing Lower Cover
 Sliding the Dishwasher into Cabinet

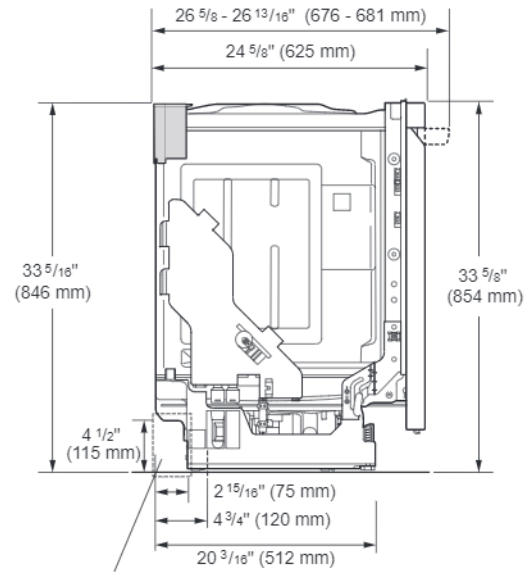
Leveling the Dishwasher
 Securing the Dishwasher to Countertop
 Connecting the Drain Hose
 Connecting Water Supply
 Connecting Power
 Final Check

Product Dimensions

Back view



Side view



Water supply hose, drain hose and electric cable should be passed through this area.

NOTE

- For easiest installation, see marked areas above for water and electrical clearances in base of dishwasher.

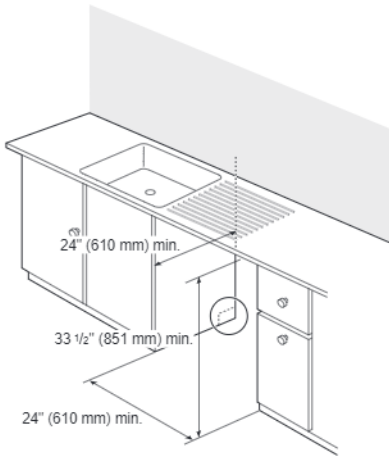
Product Specifications

The appearance and specifications listed in this manual may vary due to constant product improvements.

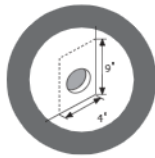
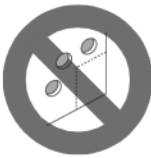
Electrical requirement	120 V, 60 Hz AC only, minimum 15 A circuit breaker
Water pressure	20 - 80 psi (140 - 550 kPa)
Dimensions	23 ³ / ₄ "(W) X 24 ⁵ / ₈ "(D) X 33 ⁵ / ₈ "(H) 603 mm(W) X 625 mm(D) X 854 mm(H)
Inlet water temperature	120 °F (49 °C) minimum, 149 °F (65 °C) maximum
Net weight	72 - 82 lbs. (33 - 37 kg)

Preparing Cabinet Opening

This dishwasher is designed to fit a standard dishwasher opening. An opening may be needed on both sides to route plumbing and electrical connections.



- 1 Select a location as close to the sink as possible for easy connections to water and drain lines.
- 2 To ensure proper drainage, install the dishwasher no more than 12 ft. (3.65 m) from the sink.
- 3 If installing the dishwasher in a corner, leave a minimum of 2" (50 mm) between the dishwasher and the adjacent wall.
- 4 To allow for proper clearance of plumbing and electrical, use the template included with the literature to determine the clearance on the side of the cabinet where the cabinet meets the back wall. Using a 2 1/2" diameter hole saw, drill a hole in the target area as shown on the template.



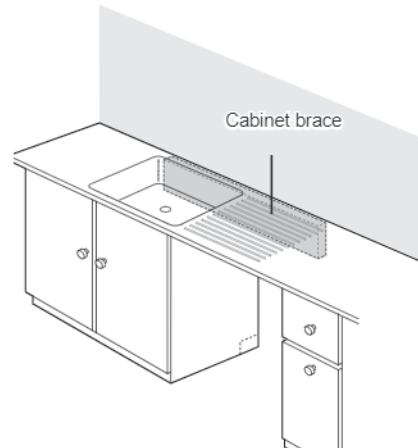
⚠ WARNING

- Don't use existing holes unless they are in the target area. Otherwise, the water supply and drain hose may be damaged by being crushed or kinked.

⚠ CAUTION

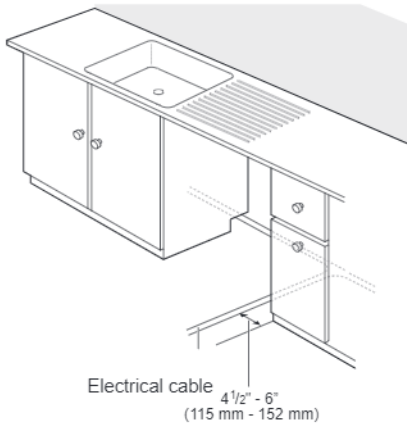
- Failure to properly locate the hole for the water and drain lines may prevent the dishwasher from installing flush with the cabinets and could result in kinked or damaged lines. Installation damage is not covered by the warranty, and leaks caused by improper installation may result in property damage.

For flush installations only, you may remove the cabinet brace inside the cabinet.



Preparing Electrical Wiring

- 1 Operate this appliance with the correct voltage as shown in this manual and on the rating plate. Connect it to a dedicated, properly grounded branch circuit which is protected by a time delay fuse. Connect the appliance using 3-wires, including a ground wire.
- 2 If an outlet and other power connector are used, it should be in an accessible location adjacent to and not behind the dishwasher and within 4 ft (1.2 m) of the dishwasher's side.
- 3 The wiring must be grounded properly. If in doubt, have it checked by a qualified electrician. Do not connect any other appliance to the same outlet.
- 4 Route the wiring.



- 5 Make sure the electrical cable is oriented in the right side channel.

⚠ WARNING

- For personal safety, remove house fuse or open circuit breaker before installation.
- Do not use an extension cable or adapter with this dishwasher.

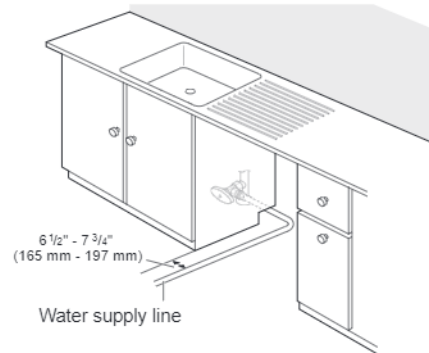
NOTE

- If you find any damage to the dishwasher, contact your retailer or contractor.
- The included wire nut in 16AWG should be used.

Preparing Water Supply Connection

Make sure the house water supply is turned off before connecting the dishwasher water lines.

- 1 Connect the dishwasher to a hot water supply with a temperature range between 120 °F (49 °C) and 149 °F (65 °C). This temperature range provides the best washing results and shortest cycle time. To prevent damage to dishes, the temperature should not exceed 149 °F (65 °C).
- 2 When connecting the dishwasher water line, sealing tape or compound should be used on pipe threads to avoid leaks. Tape or compound should not be used on compression fittings.
- 3 The water supply tube must be located in the left side channel.



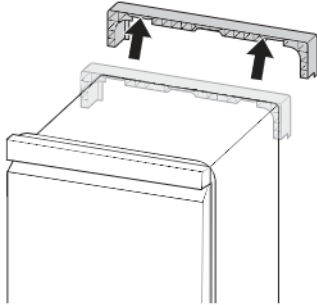
NOTE

- Use new hoses when connecting to the water supply. Do not reuse old hoses.

Preparing Dishwasher

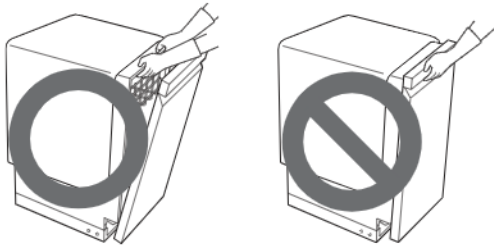
Removable Rear Plastic Shipping Brace

The rear shipping brace can be removed if additional clearance is needed when installing the dishwasher under a low countertop.



NOTE

- Do not pull or lift the dishwasher using the handle; doing so can damage the door and hinges. Open the door and grab the body frame and the top front opening of the tub to move or lift the dishwasher.



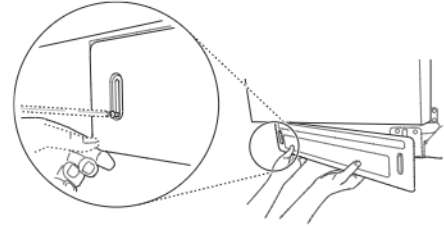
NOTE

- Do not push the door of the dishwasher with knees.



Removing Lower Cover

- 1 Remove the two screws attaching the lower cover to the dishwasher.
- 2 Remove the lower cover from the base.
- 3 Remove the insulation pad from behind the access panel.



⚠ CAUTION

- If at any time the dishwasher is laid on its back, take care not to damage the drain hose.

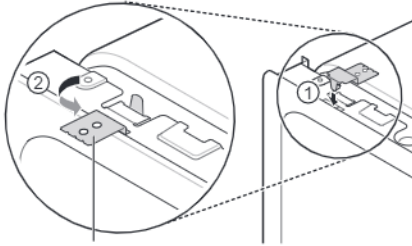
NOTE

- Make sure that the lower cover replaces in the last step.

Attaching Mounting Hardware

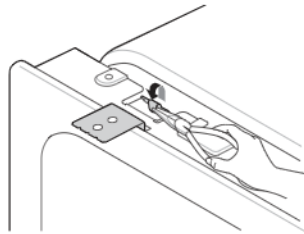
For countertops made of wood or other material that will not be damaged by drilling, use the metal installation brackets.

- 1 Insert the installation brackets into the slots in the upper frame.



Installation bracket

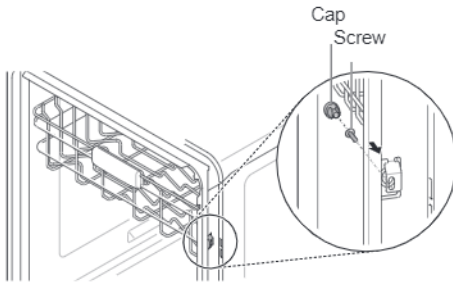
- 2 Bend the brackets to secure them to the dishwasher tub.



NOTE

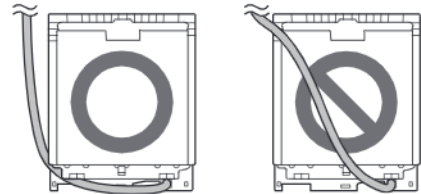
- Installation brackets and screws can be found in the silverware basket.

For countertops made of granite, marble, or other materials that could be damaged by drilling, use the wood screws to attach the dishwasher to the cabinet. See installation instructions in Securing Dishwasher to Countertop.

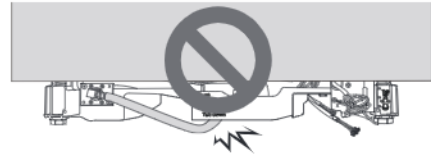


Sliding Dishwasher into Cabinet

- 1 Slide the dishwasher carefully into the cabinet opening.
- 2 Make sure the drain hose inside the cabinet is not kinked or pinched.
- 3 Make sure the water supply line and electrical supply are routed through the channels under the dishwasher.
- 4 To avoid a kinked or pinched drain hose, be sure to pull on the drain hose while sliding the dishwasher into place. Do not allow any slack behind the dishwasher.



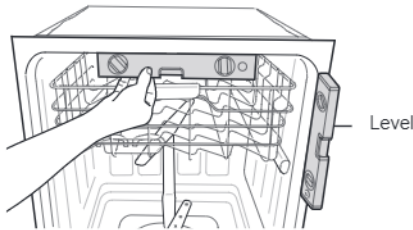
- 5 After leveling the dishwasher, do not leave the water supply line or power supply line under the base. This is a potential cause of water leaks. Place the water line and power supply line in the channel.



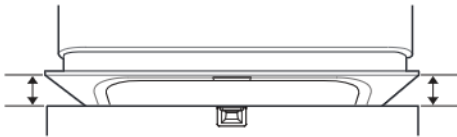
Leveling the Appliance

Check that dishwasher is level.

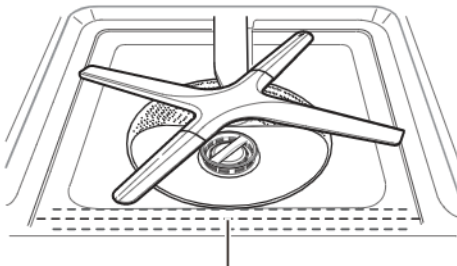
- Attach level on top front opening of tub from side to side.
- Attach level on front side of tub.



Make sure that the gap between the door and the tub is equal on both the left and right sides.



The water level should be checked after the initial fill on the Normal cycle. If the water level is not near the center of both tub lower indentations, the dishwasher may not be correctly leveled. The dishwasher may leak during operation if it is not correctly leveled.

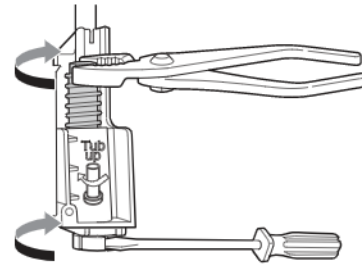


Water level should be near the center of both tub lower indentations.

Adjusting the Legs

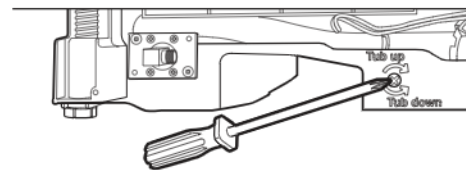
Adjusting the Front Legs

- Use a flat-blade screwdriver or a pliers to turn the front legs and adjust the front of the tub.
- Turn the front legs clockwise to raise the front of the tub and counter-clockwise to lower it.
- The adjustments work identically for both front legs.



Adjusting the Rear Legs

- Use a Phillips screwdriver to adjust the back legs and the rear of the tub using the center screw at the base of the appliance in the front.
- Turn the center screw clockwise to raise the rear of the tub and counter-clockwise to lower it.



NOTE

- To avoid damaging the screw, do not use an electric screwdriver.

Securing Dishwasher to Countertop

For countertops made of wood or other material that will not be damaged by drilling, use Method 1.

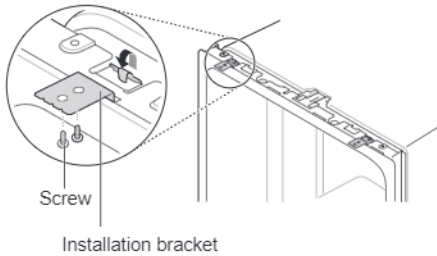
For countertops made of granite, marble, or other materials that could be damaged by drilling, use Method 2.

NOTE

- Cover the filter hole with towels to prevent screws from falling down into the pump.
- Use a magnetic screwdriver.

Method 1

Using the provided screws, secure the dishwasher to the countertop through the holes in the bracket.

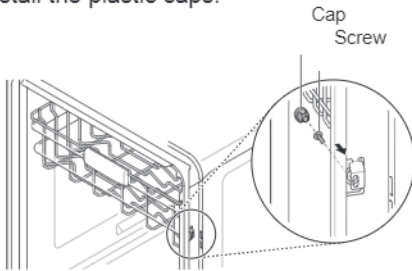


NOTE

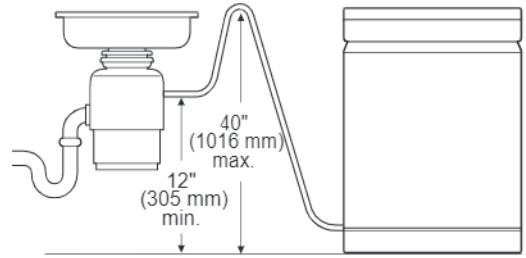
- Installation brackets and screws can be found in the silverware basket. See Attaching Mounting Hardware section for more information on attaching installation brackets to dishwasher.

Method 2

- 1 Remove the plastic caps from the mounting bracket access holes.
- 2 Drive a wood screw through the mounting bracket and into the cabinet frame.
- 3 Reinstall the plastic caps.

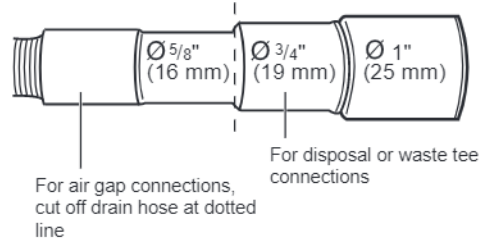


Connecting Drain Hose



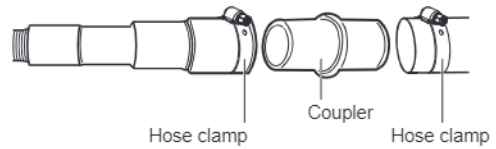
If the end of the drain hose does not fit the drain line, use a heat and detergent resistant adapter (not supplied). These may be obtained from a local plumbing supply store.

The two typical connections are shown. To prevent siphoning, one of the following connections should be used.



Drain Requirements

- Follow local codes and ordinances.
- Do not exceed 12 ft. (3.65 m) distance to drain.
- Do not connect drain lines from other devices to the dishwasher drain hose.
- If an extension drain hose is required, use 5/8" or 7/8" inside diameter, 2-3 ft. length hose and a coupler for connecting the two hose ends.



NOTE

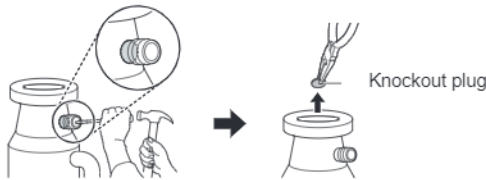
- For drain hose installation, use the screw style clamp provided with this dishwasher in the silverware basket.

NOTE

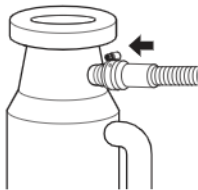
- If the knockout plug has not been removed, the dishwasher will not be able to drain properly.

Connecting to Disposal with No Air Gap

- 1 Remove the knockout plug with a hammer and screwdriver.



- 2 Attach the drain hose to disposal with the hose clamp provided. Move into position and tighten the hose clamp.

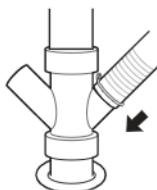


Connecting Waste Tee with No Air Gap

- 1 Remove the knockout plug with a hammer and screwdriver.

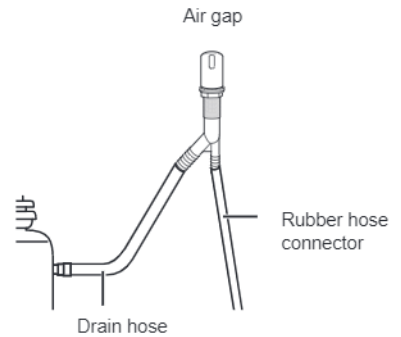


- 2 Attach the drain hose to waste tee with the hose clamp provided. Move into position and tighten the hose clamp.



Connecting to Disposal or Waste Tee with Air Gap

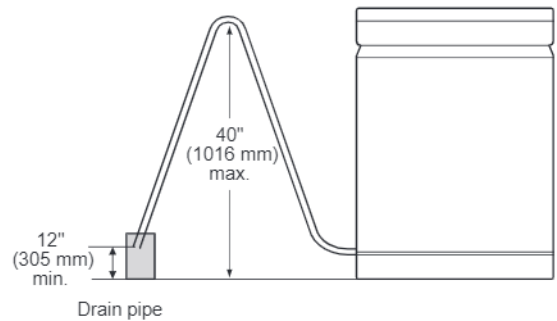
- 1 Remove the knockout plug with a hammer and screwdriver.
- 2 Connect end of the drain hose to the air gap with hose clamp provided. This avoids water being siphoned from the tub.



- 3 Attach the rubber connector to disposal or waste tee with the hose clamp provided. Move into position and tighten the hose clamp.

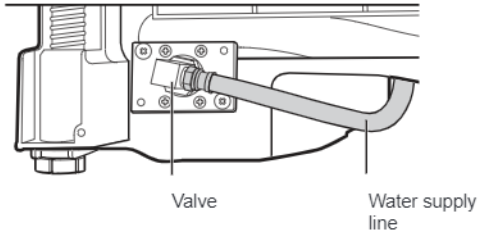
Connecting without Air Gap

The height of the drain hose end must be at least 12" (305 mm) and within 40" (1016 mm) from the base of the appliance to avoid water being siphoned from the tub.



Connecting Water Supply

- 1 Before connecting, turn off the water supply.
- 2 Slide the flexible stainless-steel water line or copper tube into the elbow.
- 3 Tighten the compression nut and make sure that the line is not kinked or pinched.



NOTE

- During the final installation check of the dishwasher, an IE error code may appear on the display. Make sure the water line is not kinked and the water supply for the dishwasher has been turned on before calling for service.

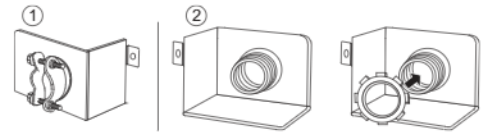
Connecting Power



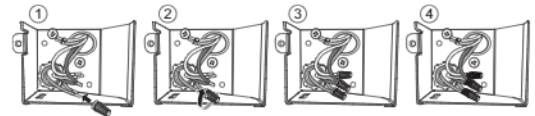
NOTE

- The best location for the electrical conduit is on the right side of the back wall. Re-route the power cable before installation if the electrical conduit pipe is longer than 3" (76 mm) and is centered on the back wall.

- 1 Before beginning, turn off electrical power to the unit at the circuit breaker.
- 2 Remove the junction box cover and then install the strain relief.



- 3 Twist the wire nuts tightly onto the wires; then wrap each connection with electrical tape.



- 4 Check again and make sure that all wires are connected correctly: black to black, white to white, green ground wire to green ground wire.
- 5 Replace the junction box cover.

⚠ WARNING

- Verify that the black wire is hot (120 V). If not, or if you are unsure of the power supply, have it checked by a licensed electrician.

⚠ CAUTION

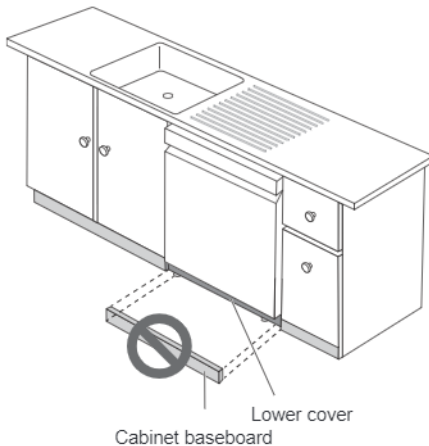
- Do not leave stripped wire exposed. Trim stripped wire to fit completely inside wire nuts.

Final Check

- 1 Turn on electrical power.
- 2 Turn on house water supply.
- 3 Make sure the door opens and closes smoothly. If necessary, level the dishwasher again.
- 4 Run the dishwasher on a Turbo cycle to verify proper operation and check for leaks.

CAUTION

- Only install the lower cover provided with the machine. Do not install cabinet baseboard as it may cause noise and leakage.



Error Code	Possible Cause and Solution
OE Error	Drain hose kinked or pinched. Feed the drainage and supply hoses through the hole under the sink. Then gradually slide the dishwasher into the cabinet while pulling on the hoses under the sink to take up any slack. This helps avoid kinking the hoses or trapping them beneath the dishwasher.
	Drain hose connected to disposal. Remove knockout plug on disposal.
	Waste tee is clogged. Remove knockout plug on waste tee.
IE Error	Water supply line kinked under dishwasher. Feed the drainage and supply hoses through the hole under the sink. Then gradually slide the dishwasher into the cabinet while pulling on the hoses under the sink to take up any slack. This helps avoid kinking the hoses or trapping them beneath the dishwasher.
	House water supply not turned on. Turn water on.

OPERATION

Using the Appliance

Before Using the Appliance

- Read the Important Safety Instructions.
- Connect to the hot water supply only. The water supply temperature should be a minimum of 120°F (49°C) for better washing performance and shorter cycle time.
- Follow the instructions for loading the dishwasher to ensure effective cleaning.
- Remove insoluble items such as bones, toothpicks, and pieces of paper while loading the dishwasher.


When loading the dishwasher

- 1 Only load items that are dishwasher-safe.
- 2 Remove solid, burned-on scraps from dishes prior to loading in the dishwasher.
- 3 Place items with deep dish bottoms at an angle to help water run off and speed the drying process.

NOTE

- Do not load utensils that are not heat-resistant or have decorative metal trim.

Quick Start

- 1 **Load the Dishes**
Scrape the dishes free of excess food, bones, and any other hard, non-soluble residue. Pull each rack out and load the dishes as described in this manual.
- 2 **Measure the Detergent**
Using the guidelines in this manual, fill the detergent cup with the recommended amount of detergent and close the lid. If a prewash is desired, the recess on top of the lid should also be filled with detergent.
- 3 **Close the Door**
- 4 **Turn on the Dishwasher**
To turn on the display panel, press the **Power** button.
- 5 **Check the Rinse Aid**
The **Rinse Aid**  icon will flash if the level of rinse aid in the dishwasher is low. Add rinse aid if the level is low to maintain the effectiveness of the dry cycle.

6 Select the Cycle and Options

Select the cycle and options that best fit the load by referring to the Cycle guide. The display will show the estimated time for the cycle and options selected.

7 Operate the Dishwasher

Method 1

- Press the Start button and then close the door in less than four seconds to operate the dishwasher. If the door is not closed within four seconds, the white LED with time flashes, an audible tone is heard, and the cycle does not start.

Method 2

- Close the door first and then press the Start button to operate the dishwasher.

If the door is opened during the cycle, the dishwasher will stop. To resume the cycle, see methods 1 and 2 above.

NOTE

- If the door is opened during the cycle and is not closed within four seconds after selecting the Start button, or if the door is closed without pressing the Start button, the white LED with time flashes, an audible tone is heard, and the cycle does not start.

8 End of Cycle

When the cycle is complete, a chime will sound and the display will show **End** until the door is opened or **Power** is pressed. To save energy, press and hold **High Temp** for three seconds to set the End display to automatically turn off a few minutes after the cycle ends.

CAUTION

- Do not open the door during operation or immediately after it has completed the wash cycle as the steam build up may cause scalding as the door is opened.

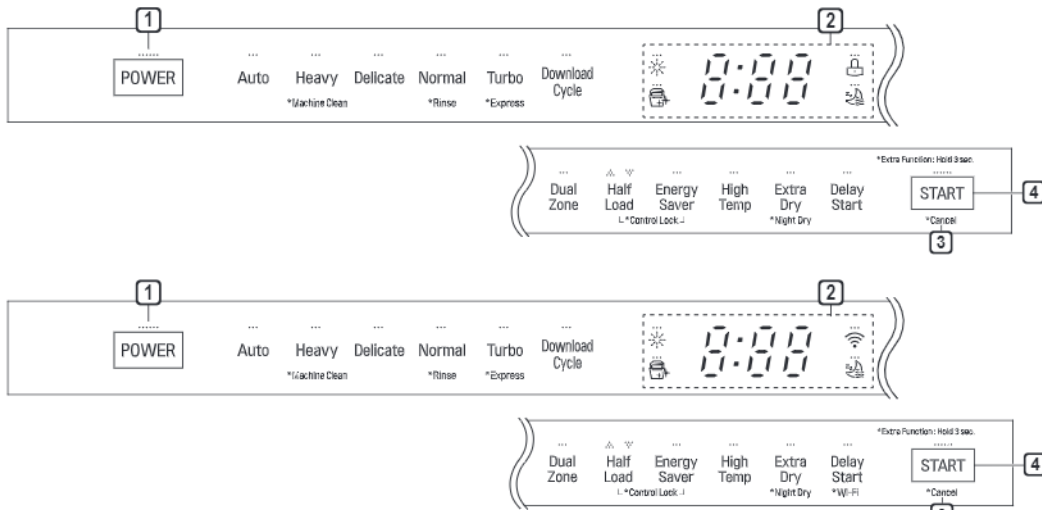
NOTE

- Empty the lower rack first and then the upper rack. This will avoid water dripping from the upper rack onto dishes in the lower rack.

Auto-Off

The dishwasher automatically turns off after four minutes of inactivity if paused or if no cycle is started.


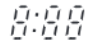
Control Panel



1 Power

- Press the **Power** button to turn power on and off.
- After the cycle is complete, the power automatically turns off for purposes of safety and economy.
- If there is a power surge, power outage, or disruption of any kind, power is automatically turned off for safety.
- When power is connected again, it will turn on automatically and resume the cycle.

2 Display

-  : **Rinse Aid Icon**
 - This icon illuminates when the rinse aid level is low. The LED automatically shuts off when the rinse aid is refilled or the level is set to 0.
 - Refer to the Rinse Aid Dispenser Adjustment section.
-  : **Digital Display**
 - The digital display on the control panel shows the ESTIMATED cycle time. When the cycle and options are selected, the display shows the total estimated time to complete those selections. During operation, the display shows the remaining estimated operating time.

NOTE

- The estimated time shown on the display does not include delay times for heating water, etc.
- If **Delay Start** is selected, the display shows the delay time in hours.
- Cycle time may vary depending on the soil level of your load.

• : **Control Lock**

- The Control Lock feature helps prevent settings from being changed during a cycle. Selecting this feature locks all of the buttons, except for the **Power** button, on the control panel. This feature does not lock the door.
- While a cycle is running, press and hold **Half Load** and **Energy Saver** simultaneously for three seconds to activate or deactivate Control Lock.
- To start a new cycle, deactivate Control Lock.

• : **Wi-Fi** (for Wi-Fi models)

- When the appliance is connected to the internet through a home Wi-Fi network, this icon illuminates.
- Press and hold **Delay Start** for approximately three seconds to connect to the network.

3 Cancel

- The drain pump activates and the cycle cancels. Once the dishwasher finishes draining, the power turns off.
- Press and hold **Start** for three seconds to activate.

4 Start

- To operate the machine, either press **Start** and close the door within four seconds or close the door and press **Start**.
- If **Start** button is not pressed to start the cycle, an alert will sound.

Chime On/Off

- To activate or deactivate the button sounds, press the **Half Load** button for three seconds. The error alert sound cannot be turned off.

Cycles

Select your desired cycle.

Auto

This cycle senses the load size, soil amount and soil toughness and is optimized to achieve the best cleaning.

Heavy

This cycle is for heavily soiled dishes and dishes with hardened on soil. The Heavy cycle defaults to the strongest spray intensity and uses it to wash heavily soiled dishes.

Delicate

Use this cycle to clean delicate items such as fine china and stemware.

Normal

This cycle is for moderately soiled, everyday loads. Select the **Night Dry** option if leaving dishes overnight. Press and hold **Extra Dry** for three seconds to activate Night Dry.

- After the cycle ends, the fan runs for an hour to help vent the warm, moist air in the tub. You can stop the fan by opening the door after the cycle ends.

Turbo

This cycle will clean heavily soiled dishes in an hour using slightly more energy and water.

- This cycle does not have drying. Select the **Extra Dry** and **Night Dry** option or another cycle for better drying.

Download Cycle

Use a dedicated cycle downloadable via Wi-Fi or NFC.

NOTE

- Only the cycle code for the current Download cycle appears on the appliance. See the smartphone app for cycle codes, names, and more information about the available cycles.

- Default Cycle : P1. Pots & Pans

Machine Clean

This cycle is for cleaning the inside of the dishwasher. Use the cycle without dishes in the machine. It eliminates residual soils, odor, white spots, and other dirt. Add citric acid or another cleaning agent for more effective results.

- Press and hold **Heavy** for three seconds to activate.

NOTE

- The **Machine Clean**  icon flashes every 30 cycles. To activate or deactivate the icon, press the **Delicate** button for three seconds.

Rinse

This cycle is a quick rinse for dishes that will not be washed immediately. The cycle rinses dishes that have excess soil to soften dried on residue. Rinsing the dishes helps prevent odors in the dishwasher. No detergent should be used.

- This cycle does not have drying.
- Press and hold **Normal** for three seconds to activate.

Express

This cycle will quickly clean lightly soiled dishes. (Time : 33 minutes)

- This cycle does not have drying. Select the **Extra Dry** and **Night Dry** option or another cycle for better drying.
- Press and hold **Turbo** for three seconds to activate.



Options

Select the desired cycle button and then select the options for that cycle.

Dual Zone

This option automatically sets the spray intensity to soft for the upper spray arm and strong for the lower spray arm. Place heavily soiled dishes like plates and bowls in the lower rack and lightly soiled dishes like cups and small plates in the upper rack to get the best results.

Half Load

This option washes intensively by selecting the upper or lower racks. For small loads, use just the upper or lower rack to save energy and time. By pressing the **Half Load** button, the settings ,  and the cancellation of the Half Load option are available.

Energy Saver

This option saves energy by reducing the wash and rinse temperatures. Wash time is increased to maintain wash performance. Do not use this cycle with heavily soiled dishes.

High Temp

Raises the main wash temperature to improve cleaning.

Extra Dry

Select the **Extra Dry** option for better drying performance. This option adds extra drying time to the cycle and raises the heated rinse temperature.

- When the rinse aid is empty, the **Extra Dry** option is selected automatically.

Night Dry

Dishes are often left in the dishwasher overnight after the cycle ends. This can result in the steam inside the tub condensing on dishes, leaving them wet. The Night Dry option runs the ventilation fan periodically to help vent the steam from the tub.

- Press and hold **Extra Dry** for three seconds to activate.
- The **Night Dry** option is selected by default on all cycles for which it is available, except the Normal cycle.

Delay Start

The Delay Start feature delays the start of a selected cycle. Each time the **Delay Start** button is pressed, the delay time increases by an hour. The delay time can be set from 1 to 12 hours, in one-hour increments.

Cycle/Option Guide

The cycle guide below shows the available options for each cycle.

Cycle		Auto	Heavy	Delicate	Normal	Turbo	Express	Rinse	Machine Clean
Soil Level		all levels	heavy	light	all levels	heavy	light	light	
*Water Usage		13.1-21.1 L	26.9 L	19.7 L	9.2-19.5 L	27.5 L	20.4 L	6.8 L	12.3 L
		3.4-5.6 gal	7.1 gal	5.2 gal	2.4-5.2 gal	7.3 gal	5.4 gal	1.8 gal	3.2 gal
**Wash Time with Options (Mins.)		90 - 210	138 - 214	94 - 133	97 - 190	58 - 121	32 - 103	12	82
Available Options	Dual Zone	<input type="radio"/>	<input type="radio"/>		<input type="radio"/>	<input type="radio"/>	<input type="radio"/>		
	Half Load	<input type="radio"/>	<input type="radio"/>	<input type="radio"/>	<input type="radio"/>				
	***Energy Saver	<input type="radio"/>		<input type="radio"/>	<input type="radio"/>				
	High Temp	<input type="radio"/>	<input type="radio"/>		<input type="radio"/>	<input type="radio"/>	<input type="radio"/>		
	Extra Dry	<input type="radio"/>	<input type="radio"/>	△	<input type="radio"/>	<input type="radio"/>	<input type="radio"/>		
	Night Dry	<input type="checkbox"/>	<input type="checkbox"/>	<input type="checkbox"/>	<input type="radio"/>	<input type="checkbox"/>	<input type="checkbox"/>		
	Delay Start	<input type="radio"/>	<input type="radio"/>	<input type="radio"/>	<input type="radio"/>	<input type="radio"/>	<input type="radio"/>	<input type="radio"/>	<input type="radio"/>

* Actual water consumption will vary depending on soil level and hardness of water.

** The actual running time and cycle time displayed may change depending on options chosen, soil level, water temperature, and hardness of water. Therefore, display time and actual running time can be different.

*** Energy Saver cannot be used at the same time as Extra Dry or High Temp.

△ : Extra drying time only, no added high-temperature rinse.

: ON by default.

NOTE

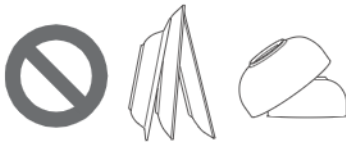
- Options are not available for Download Cycle.

Loading the Dishwasher

The extra tall tub allows loading of dishes, pans, or other utensils up to 14" high.

For effective washing performance, always follow the following instructions.

- Remove large particles of food debris from plates including bones etc. before loading.
- Items with burnt on food should be soaked prior to loading in the dishwasher.
- Deep pots or dishes should be placed upside down.
- Make sure that all items do not touch each other.



Non-Dishwasher Safe Items

The combination of high water temperature and dishwasher detergents may damage certain items. Do not wash the following items in the dishwasher.

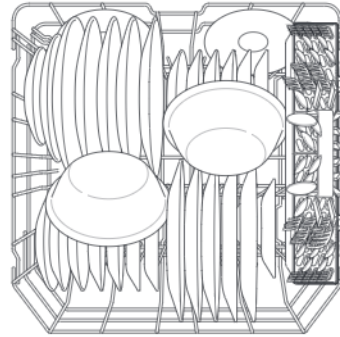
- Copper or anodised aluminium
- Hand painted silver or gold leaf crockery
- Wood or bone handled utensils
- Iron or non rust proof utensils
- Plastic items which are not dishwasher safe
- Expensive ware such as silver and dishes with golden rings
- Fragile item such as crystal glasses

CAUTION

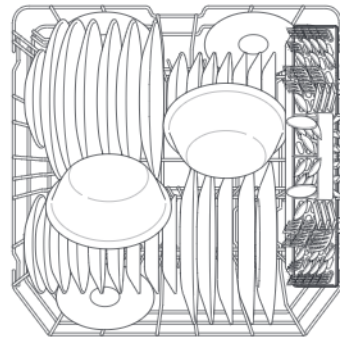
- Do not place pots or pans with plastic handles in the appliance as the handles may deteriorate due to the heat and detergent.
- Water proof or long lasting lipstick smudges on glasses may not be removed during the wash.

Loading the Lower Rack

Loading 10 Place Settings



Loading 12 Place Settings



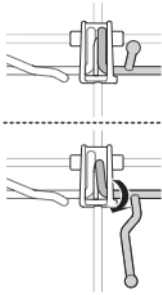
Lower Rack Loading Tips:

- Plates should be positioned upright and facing the center of the rack and pots, pans and large dishes must be turned upside down.
- Load dinner plates, dishes, soup bowls etc. between the tines.
- Load cookie sheets, cake pans and other large items on the sides or back of the rack. Loading these items in the front of the dishwasher can prevent the water spray from reaching the detergent dispenser.
- Make sure that pot handles and other large items do not stop the rotation of the spray arms.
- The lower rack should not be used for small items such as cups, wine glasses, or small plates. These items should be loaded in the upper rack.
- Make sure that large items do not interfere with the rotation of the spray arms, and do not prevent the detergent dispenser from opening.

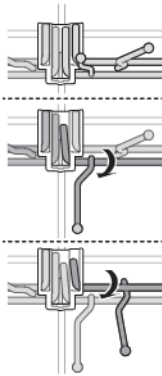
Folding Down the Lower Tines

Fold tines down to fit larger dishes; pull tines back up to fit smaller dishes.

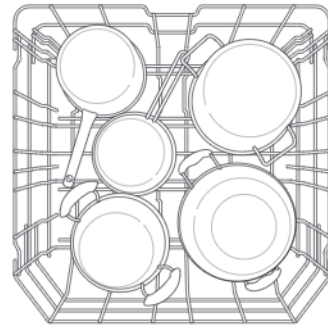
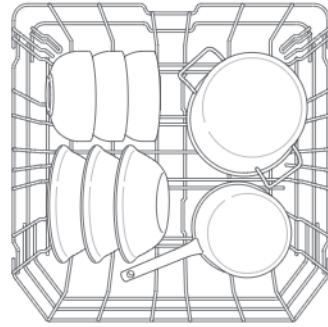
Case 1



Case 2



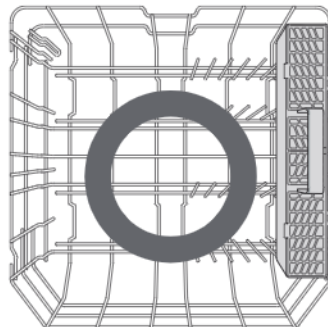
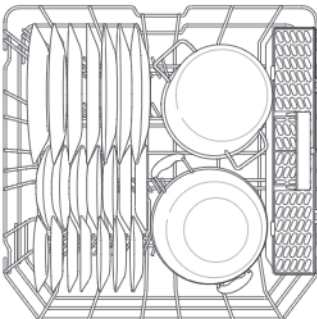
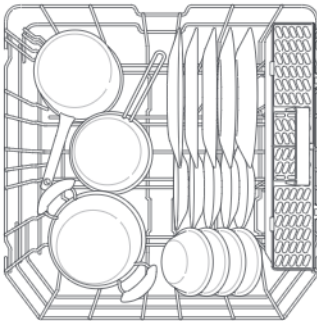
Loading Pots & Bowls



NOTE

- The silverware basket ships installed at the back of the bottom rack. For best performance, install it along the right side as shown.

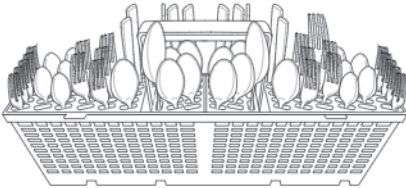
Loading Dishes & Pots



Loading the Silverware Basket

The silverware basket has separators to avoid scratching and tarnishing of delicate silverware.

Loading 10 Place Settings



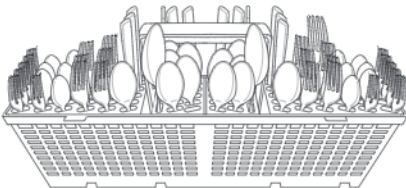
Silverware Loading Tips:

- For best cleaning results, use the top separators in the basket when loading silverware. The separators will prevent nesting of silverware.
- Load sharp items, such as knives, pointing down.
- When unloading the dishwasher, it is best to start with the silverware basket. Doing so will prevent water droplets from falling on your silverware from the upper rack.

! WARNING

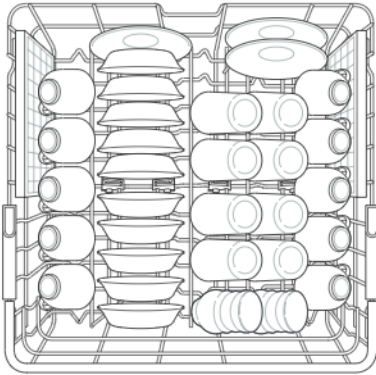
- Be careful when loading and unloading sharp items. Load sharp knives with the handles up to reduce the risk of personal injury.

Loading 12 Place Settings

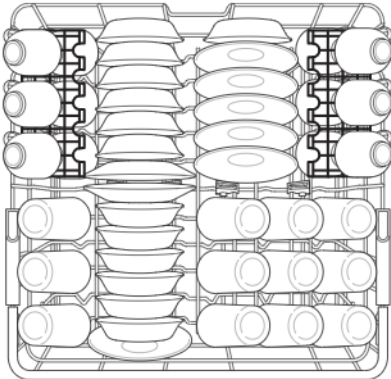


Loading the Upper Rack

Loading 10 Place Settings



Loading 12 Place Settings

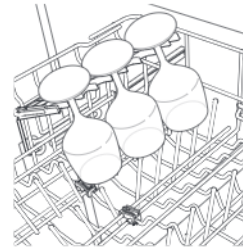


Upper Rack Loading Tips:

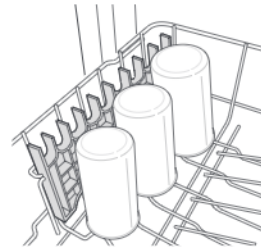
- Place cups and glasses in the rows between the rack tines. Placing them over the rack tines can lead to breakage and water spots.
- To avoid chipping, do not let stemware touch other items.
- Place items so that the open end faces down for cleaning and drying.
- Do not stack items on top of each other.
- Use the upper rack for small or delicate items such as small plates, cups, saucers, glasses, and dishwasher-safe plastic items.
- Cups, glasses, and bowls must be positioned upside down.
- Extra cups or cooking utensils can be laid on the fold down cup racks, which may also provide support for long-stemmed glasses.
- Make sure items do not interfere with the rotation of the spray arms above and below the upper rack.
- When loading larger items in the upper rack, such as wine glasses or taller cups, it may be necessary to remove the cutlery rack if one is present.

Loading the Cup Rack (On Some Models)

Some models have cup racks that provide support for long-stemmed glasses.



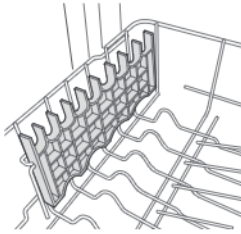
The cup racks can be folded up out of the way for tall glasses.



Removing and Replacing Cup Racks (On Some Models)

The left and right cup racks are interchangeable and can be removed.

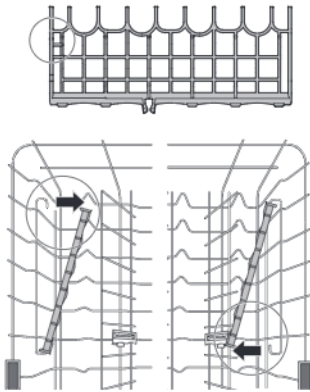
- 1 Slide cup rack down into its closed position.



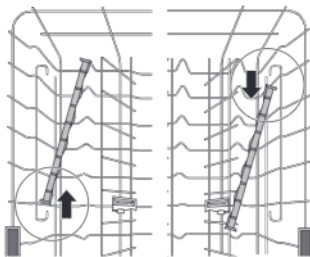
- 2 Locate assembly slot on cup rack and firmly pop rack off support bar on that side.

- The rack on the left pops free at the back. The rack on the right pops free at the front.

Assembly slot



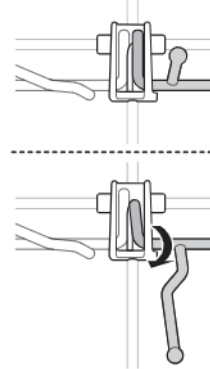
- 3 Slide cup rack off support bar on opposite side.



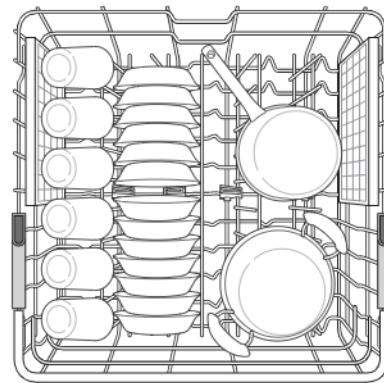
- 4 Reverse instructions to replace cup rack.

Folding Down the Upper Tines

Fold tines down to fit larger dishes; pull tines back up to fit smaller dishes.



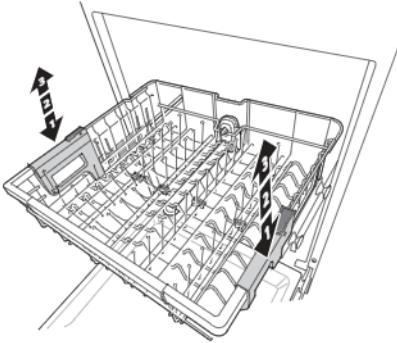
Loading Dishes & Pots



Height Adjustable Upper Rack

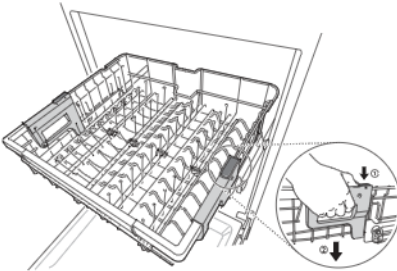
The upper rack adjusts up and down. Raise the upper rack to allow items up to 14" tall in the lower rack. Lower the upper rack to allow dishes up to 12" tall in the upper rack. The dishwasher ships with the upper rack raised.

There are three available positions for adjusting the height of the upper rack to create more space.



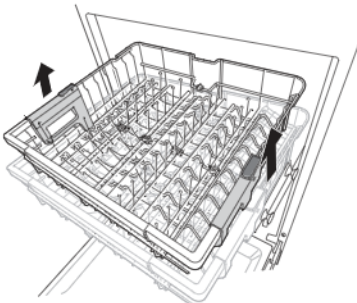
Lowering the Rack:

Hold the rack at the center of each side to support its weight. Then, push the button on each side to release the rack and lower it to the lower position.



Raising the Rack:

Lift the rack at the center of each side until the rack locks into place in the upper position. It is not necessary to lift the lock levers to raise the rack.

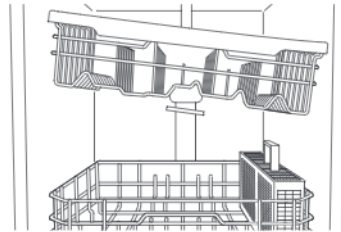


⚠ WARNING

- Before adjusting, ensure the rack is empty of all dishes. Otherwise dishes may get damaged or you may get injured.

NOTE

- Before pushing the upper rack into the dishwasher, ensure the rack height is the same on both sides. If the height is not the same on both sides, the dishwasher door will not shut and the upper spray arm will not connect to the water inlet.
- Raise the upper rack without pushing the buttons on each side. Pushing the buttons when raising the rack will prevent the rack from locking into position.
- To set the rack to the middle position, it may be easier to lower the rack all the way down and then raise each side of the rack individually until it clicks into place.



- There is a 24 ⁵/₈ inches (56 mm) gain in height when the upper rack is moved to the lower position.
- After adjusting the rack levels, check that the spray arms are free to rotate.
- With the lower position of the upper rack, check if the bottom part of upper rack including spray arm is not disturbing items on the lower rack.
- When the upper rack is in the lower position, push in the upper rack first, and the lower rack later.
- Pull out the lower rack first, and the upper rack later.
- Raise the upper rack without pushing the buttons on each side. Pushing the buttons when raising the rack will prevent the rack from locking into position.
- To set the rack to the middle position, it may be easier to lower the rack all the way down and then raise each side of the rack individually until it clicks into place.

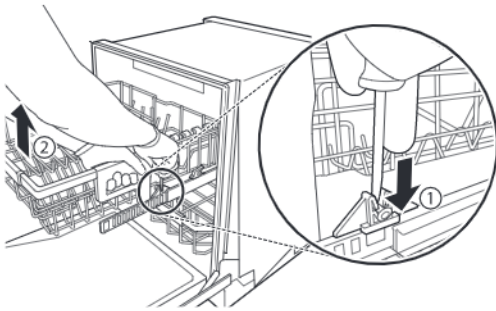
Removing the Snap-In Gliding Upper Rack

These instructions are for models with snap-in rack supports rather than wheeled rack supports.

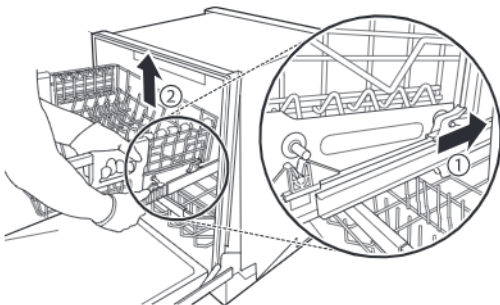
CAUTION

- The snap-in upper rack should only be removed for servicing. If you need to remove the rack, wear gloves and handle the screwdriver carefully to avoid personal injury or damage to the dishwasher.

- 1 Pull the upper rack out until it stops. Remove any contents from the rack.
- 2 To remove the front rack supports from the rails, push the front hooks open with a flat-blade screwdriver while pulling the front of the rack up to snap the front rack support out of the hooks. Repeat to snap the front support out on the opposite side.



- 3 To remove the back rack supports from the rails, hold a side rail with one hand, lift the front of the rack, and firmly push the rack back to snap the support out of the hooks in the rear. Repeat on the opposite side.



- 4 To replace the rack, place the back rack supports behind the rear hooks and pull the rack forward to snap the supports into the hooks. Then align the front rack supports with the front hooks and push the front of the rack down to snap the supports into the front hooks.

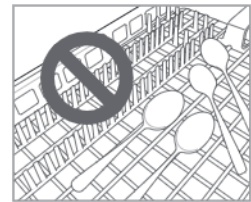
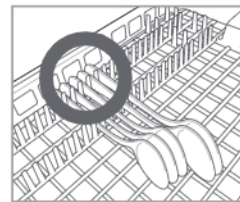
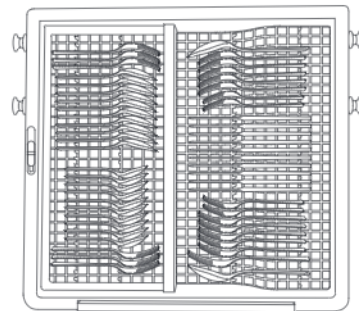
Loading the Cutlery Rack (On Some Models)

The cutlery rack is best suited for flatware and most cooking or serving utensils. It can also fit small prep bowls and lids. The separators on the cutlery racks help keep flatware separated to avoid damage and improve cleaning.

NOTE

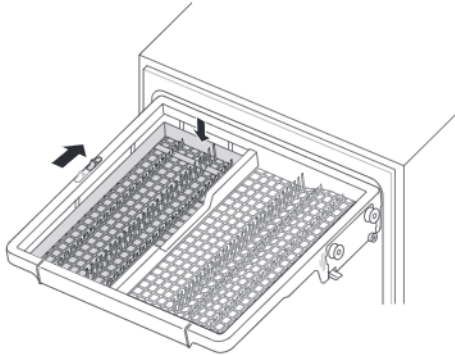
- For best cleaning performance, place flatware in the silverware baskets. Heavily soiled utensils or items with baked on foods should be placed in the middle rack or spoon basket for best performance.

Loading 10 Place Settings



Height Adjustable Tray (On Some Models)

The tray on the left side can be adjusted to a high or low position to accommodate utensils or cutlery of different sizes. Remove dishes before adjusting the tray. Adjust the tray by sliding the lever.

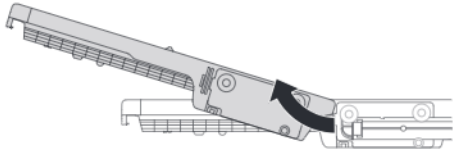


Removing the Cutlery Rack

The entire cutlery rack can be removed if more space is needed on the upper rack for larger items.

Always remove the cutlery from the rack before removing the rack.

Pull the rack out to the end of the rails. Then, lift the front of the rack so that the rollers clear the stop on the end of the rail. The rack can now be slid forward and removed from the rails.



⚠ WARNING

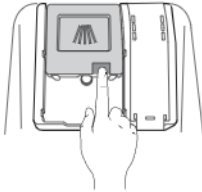
- Be careful when loading and unloading items with sharp edges. Load sharp knives with the blade down to reduce the risk of injury.

Adding Cleaning Agents

Adding Detergent to the Dispenser

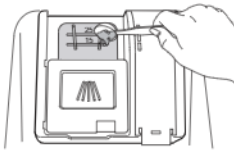
- Remove the label on the dispenser prior to running the dishwasher for the first time.
- The amount of detergent needed depends on the cycle, load size, and soil level of dishes.
- Put detergent into the detergent compartment before starting any cycle, except the Rinse cycle.

- 1** Push the button on the dispenser lid to open the cover.

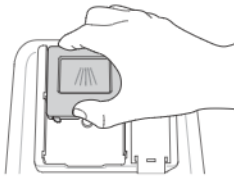


- 2** Add dishwashing detergent to the main wash compartment until the level is between the lines marked 15 and 25.

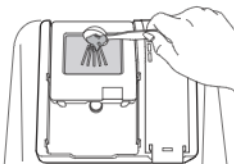
- Fill to over the 25 line for hard water or heavily soiled loads.
- Fill to the 15 line for soft water or lightly soiled loads.



- 3** Push the detergent lid to slide the lid closed until it clicks.



- 4** If a prewash is desired, fill the recessed prewash compartment area on the lid with detergent.



! WARNING

- Dishwasher detergent and rinse aid contain chemical components, like all other household detergent. So, they must be kept out of the reach of children.

! CAUTION

- Use only detergent intended for dishwashers. Incorrect detergent may cause the dishwasher to fill with suds during operation. Excess suds may reduce wash performance and may cause the dishwasher to leak.
- Do not use liquid rinse aid if using detergent tablets which include rinse aid.

NOTE

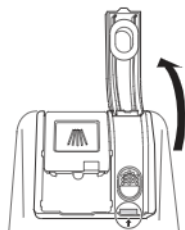
- After completion of the wash program, check whether the detergent was completely washed out.
- Some dishwasher detergent tablets may become stuck in the dispenser due to their excessive size. Tablets can be placed onto the base of the wash tub next to the filter before starting the cycle.
- Too much detergent can leave a film on dishes and in the dishwasher, resulting in poor wash performance.
- If dishwasher detergent tablets are used without liquid rinse aid, the dishes and dishwasher interior will have excessive moisture. Select the **Extra Dry** option for better drying performance.
- Using liquid rinse aid improves drying performance by allowing water to drain off of dishes after final rinse.
- Do not use detergent tablets for shorter wash cycles. The tablet may not dissolve completely, causing detergent residue on dishes and inefficient cleaning.
- Using a wash booster helps remove spots, residue, and the white film caused by hard water. It does not help remove excess detergent residue.

Adding Rinse Aid to the Dispenser

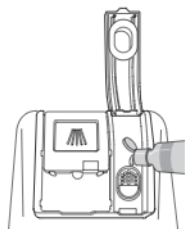
The **Rinse Aid** indicator appears in the display when more rinse aid is needed.

The use of rinse aid is recommended to prevent water spots on dishes and to enhance drying performance.

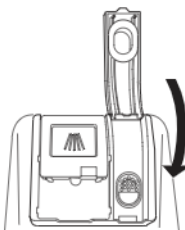
- 1 Open the rinse aid lid by lifting up the flap.



- 2 Add a liquid rinse aid to the maximum fill level. The rinse aid should be settled in the dispenser while filling, or air bubbles may result in poor drying performance. Avoid overfilling the dispenser.



- 3 Close the lid to lock the dispenser. Rinse aid is dispensed automatically during the final rinse cycle.



NOTE

- Only use liquid rinse aid in the dishwasher.
- Do not overfill the rinse aid dispenser.
- Wipe off any spilled rinse aid around the dispenser.

Rinse Aid Dispenser Adjustment

The dispenser has five adjustment levels. The dishwasher is programmed at the factory for a rinse aid dispenser level of 2. This can be checked and altered by using the buttons on the control panel.

- 1 Ensure the appliance is off.
- 2 Press **Dual Zone** and **Power** simultaneously to check the current setting.
- 3 Press **Delay Start** to change the rinse aid dispenser setting. Each press of the button changes the setting one step from L0 to L4.
- 4 Once the desired rinse aid dispenser setting is selected, press **Start** to save.

NOTE

- Adjust the setting higher if you have hard water and notice calcium buildup on your dishes.
- Setting the rinse aid control too low will contribute to spotting and streaking on dishes and poor drying performance.
- Setting the control too high can cause foaming, which will cause poor wash performance.

Refilling the Rinse Aid

How often the dispenser needs to be refilled depends on how often dishes are washed and the rinse aid setting used.

- The **Rinse Aid** ☼ icon flashes when more rinse aid is needed, unless the rinse aid dispenser setting is set to L0.

SMART FUNCTIONS

Application Installation

Search for the LG Smart ThinQ application from the Google Play Store on a smart phone. Follow instructions to download and install the application.

Product Registration

- 1 Run the LG Smart ThinQ application on a smart phone.
- 2 Create an account and sign in.
- 3 Select **Register**.
- 4 Select **Dishwasher**.
- 5 Follow the instructions on the smart phone.

Using the Tag On Function

- This function is for NFC model.

Conveniently use the smart features to communicate with the appliance right from a smart phone.

The Tag On function can only be used with most smart phones equipped with the NFC (Near Field Communication) function and based on the Android OS (operating system).

Using the Application

- 1 Select the appliance from the Dashboard to use the desired functions by touching the LG appliance's Tag On logo with an NFC-equipped smart phone.
- 2 Select the menu on upper right side to use the smart functions.

Download Cycle

Download new and special cycles that are not included in the basic cycles on the appliance.

Appliances that have been successfully registered can download a variety of specialty cycles specific to the appliance.

Only one cycle can be stored on the appliance at a time.

Once cycle download is completed in the appliance, the appliance keeps the downloaded cycle until a new cycle is downloaded.

Machine Clean Coach

This function shows how many cycles remain before it is time to run the Machine Clean cycle.

Smart Diagnosis™

This function provides useful information for diagnosing and solving issues with the appliance based on the pattern of use.

Settings

Set the Rinse Aid Dispenser Level, Machine Clean Reminder, Chime On/Off and Clean Indicator Light.

NOTE

- Hold the back of the smart phone firmly on top of the Tag On logo. If you can't make a connection, then move the smart phone up and down slowly.
- Smart functions can not be activated unless the appliance is turned on by pressing the **Power** button.
- Press (?) in the LG Smart ThinQ application for a more detailed guide on how to use the Tag On function.
- To operate the NFC function on this appliance requires a smart phone which has at least a certain level of a NFC-enabled smart phone. Because of the characteristics of NFC, if the transmission distance is too far, or if there is a metal sticker or a protective case on the phone, transmission will not be good. In some cases, NFC-equipped phones may be unable to transmit successfully.
- The content found in this manual may differ from the current version of the LG Smart ThinQ application, and the software may be modified without informing customers.
- NFC function would vary depending on smart phones.

Using the Wi-Fi Function

- This function is for Wi-Fi model.

Communicate with the appliance from a smart phone using the convenient smart features.

Using the Application

- 1 Select the product in the application and connect it to a Wi-Fi network.
- 2 Select the menu on the upper right side to access settings and features.

Monitoring

Check the current status, cycle, options, running time and cycle end time for the appliance on a single screen.

Download Cycle

Download new and special cycles that are not included in the basic cycles on the appliance.

Appliances that have been successfully registered can download a variety of specialty cycles specific to the appliance.

Only one cycle can be stored on the appliance at a time.

Once cycle download is completed in the appliance, the appliance keeps the downloaded cycle until a new cycle is downloaded.

Machine Clean Coach

This function shows how many cycles remain before it is time to run the Machine Clean cycle.

Smart Diagnosis™

This function provides useful information for diagnosing and solving issues with the appliance based on the pattern of use.

Settings


Set the Rinse Aid Dispenser Level, Machine Clean Reminder, Chime On/Off and Clean Indicator Light.

Push Alerts

Turn on the Push Alerts to receive appliance status notifications.

The notifications are triggered even if the LG Smart ThinQ application is off.

NOTE

- To verify the Wi-Fi connection, check that **Wi-Fi**  icon on the control panel is lit.
- LG Smart ThinQ is not responsible for any network connection problems or any faults, malfunctions, or errors caused by network connection.
- The machine supports 2.4 GHz Wi-Fi networks only.
- If the appliance is having trouble connecting to the Wi-Fi network, it may be too far from the router. Purchase a Wi-Fi repeater (range extender) to improve the Wi-Fi signal strength.
- The Wi-Fi connection may not connect or may be interrupted because of the home network environment.
- The network connection may not work properly depending on the internet service provider.
- The surrounding wireless environment can make the wireless network service run slowly.
- This information is current at the time of publication. The application is subject to change for product improvement purposes without notice to users.

Open Source Software Notice Information

To obtain the source code under GPL, LGPL, MPL, and other open source licenses, that is contained in this product, please visit <http://opensource.lge.com>. In addition to the source code, all referred license terms, warranty disclaimers and copyright notices are available for download.

LG Electronics will also provide open source code to you on CD-ROM for a charge covering the cost of performing such distribution (such as the cost of media, shipping, and handling) upon email request to opensource@lge.com. This offer is valid for three (3) years from the date on which you purchased the product.

FCC Notice (For transmitter module contained in this product)

This equipment has been tested and found to comply with the limits for a Class B digital device, pursuant to Part 15 of the FCC Rules. These limits are designed to provide reasonable protection against harmful interference in a residential installation. This equipment generates, uses, and can radiate radio frequency energy and, if not installed and used in accordance with the instructions, may cause harmful interference to radio communications. However, there is no guarantee that interference will not occur in a particular installation. If this equipment does cause harmful interference to radio or television reception, which can be determined by turning the equipment off and on, the user is encouraged to try to correct the interference by one or more of the following measures:

- Reorient or relocate the receiving antenna.
- Increase the separation between the equipment and the receiver.
- Connect the equipment to an outlet on a circuit different from that to which the receiver is connected.
- Consult the dealer or an experienced radio/TV technician for help.

This device complies with part 15 of the FCC Rules. Operation is subject to the following two conditions:

- 1) this device may not cause harmful interference and
- 2) this device must accept any interference received, including interference that may cause undesired operation of the device.

Any changes or modifications in construction of this device which are not expressly approved by the party responsible for compliance could void the user's authority to operate the equipment.

FCC RF Radiation Exposure Statement

This equipment complies with FCC radiation exposure limits set forth for an uncontrolled environment. This transmitter must not be co-located or operating in conjunction with any other antenna or transmitter.

This equipment should be installed and operated with minimum distance 20 cm (7.8 inches) between the antenna and your body. Users must follow the specific operating instructions for satisfying RF exposure compliance.

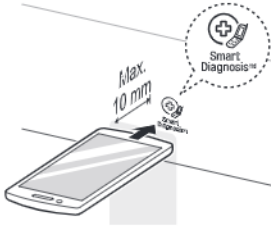
Wireless LAN Module Specifications

Model	LCW-003
Frequency Range	2412 to 2462 MHz
Output Power (Max)	IEEE 802.11 b : 17.56 dBm IEEE 802.11 g : 25.53 dBm IEEE 802.11 n : 25.29 dBm

Using Smart Diagnosis™

Use this function if you need an accurate diagnosis by an LG Electronics customer information center when the appliance malfunctions or fails.

Smart Diagnosis™ can not be activated unless the appliance is turned on by pressing the **Power** button. If the appliance is unable to turn on, then troubleshooting must be done without using Smart Diagnosis™.



Smart Diagnosis™ Using a Smart Phone

- 1 Open the LG Smart ThinQ application on the smart phone.
- 2 Select the appliance and then the menu on upper right side.
- 3 Select the **Smart Diagnosis**, then press **Start Smart Diagnosis** button.
- 4 Follow the instructions on the smart phone.

If the diagnosis fails several times

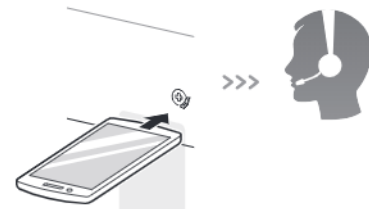
- 5 Select **Try Again** or **Audible Diagnosis**.
- 6 Place the mouthpiece of the smart phone close to the Smart Diagnosis™ icon.
- 7 Press and hold **Download Cycle** until a countdown displays on the appliance.
- 8 Keep the phone in place until the tone transmission has finished. View the diagnosis on the phone.

NOTE

- Smart Diagnosis™ may fail if the network is unstable.

Smart Diagnosis™ through the Customer Information Center

- 1 Call the LG Electronics Customer Information Center at:
(LG U.S.A.) 1-800-243-0000
(LG Canada) 1-888-542-2623
- 2 When instructed to do so by the call center, place the mouthpiece of the phone close to the Smart Diagnosis™ icon. Do not press any other buttons.
- 3 Press and hold **Download Cycle** until a countdown displays on the appliance.
- 4 Keep the phone in place until the tone transmission has finished.
 - For best results, do not move the phone while the tones are being transmitted.
 - If the call center agent is not able to get an accurate recording of the data, you may be asked to try again.



- 5 Once the countdown is over and the tones have stopped, resume your conversation with the call center agent, who will then be able to assist you using the information transmitted for analysis.

NOTE

- The Smart Diagnosis™ function depends on the local call quality.
- The communication performance will improve and you can receive better service if you use the home phone.
- If the Smart Diagnosis™ data transfer is poor due to poor call quality, you may not receive the best Smart Diagnosis™ service.

MAINTENANCE

To maintain performance and prevent trouble, it is important to check the outside and inside of the dishwasher, including filters and spray arms, at regular intervals.

WARNING

- When cleaning the outside and inside of the dishwasher, do not use benzene or thinner. Otherwise, it may cause fire or explosion.
- To prevent injury during care and maintenance or cleaning, wear gloves and/or protective clothing.

NOTE

- If you have not used the dishwasher for a long time, refresh the inside by running the Machine Clean cycle without detergent. When the cycle is finished, clean the inside and outside of the dishwasher according to the Maintenance instructions.

Cleaning the Exterior

- In most cases, the exterior of the dishwasher can be cleaned with a soft damp cloth or sponge, then dried with a soft cloth. If the dishwasher has a stainless steel exterior, use a stainless steel cleaner.

Cleaning the Interior

- Clean the interior of the dishwasher periodically with a soft, damp cloth or sponge to remove food and dirt particles.
- To remove white spots and odor from inside the dishwasher, run an empty cycle, without detergent, with one cup of white vinegar in a dishwasher safe glass or bowl placed on the upper rack. (Vinegar is an acid and with constant use it could damage the appliance.)

Seasonal Maintenance and Storage

- If you will be absent for an extended period of time during warmer months, close the water valve and disconnect the power supply line, or turn off the circuit breaker. Clean the filter, tub and dispenser to prevent odor.
- If you will be absent for an extended period of time during colder months and there is a possibility of freezing temperatures, winterize the water supply lines and the dishwasher itself. Winterization must be performed by qualified service personnel.

Clogged Drain Air Gap or In-Sink Disposal

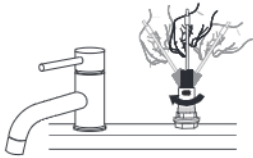
Check the drain air gap or in-sink disposal if the dishwasher is not draining well.

Cleaning the Air Gap

- 1 Turn off the dishwasher.
- 2 Remove the air gap cover and the plastic cap underneath it.



- 3 Clean out any debris with a toothpick or brush.



- 4 Replace the plastic cap and air gap cover.



NOTE

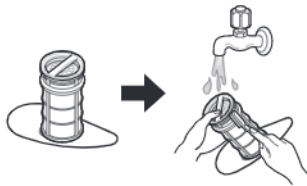
- The drain air gap and disposal are external plumbing devices that are not part of the dishwasher.
- The warranty provided with the dishwasher does not cover service costs directly associated with the cleaning or repair of the external drain air gap and disposal.

Cleaning the Filters

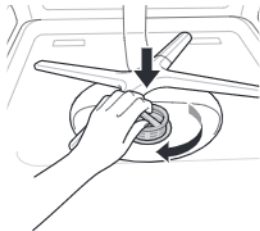
- 1 Remove the lower rack and position the bottom spray arm so a wider vee is open to the front.
- 2 Turn the inner filter counter-clockwise and take out the assembled inner filter and stainless steel filter.



- 3 Clean the filters with a soft brush under running water. Reassemble the filters before reinstalling them.



- 4 To replace the assembled filters, position the spray arm so the wider vee is toward the front. Fit the filters back into the filter holder and secure them by turning the inner filter clockwise until it clicks into place.



⚠ WARNING

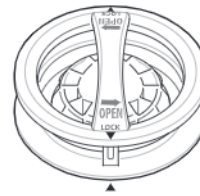
- Be cautious of sharp edges when handling the stainless steel filter.

⚠ CAUTION

- Remove food residue caught in filters to prevent the build up of odor-causing bacteria and possible drainage problems.

NOTE

- For best wash performance, clean the filter after each load. If food debris remains in the filter, it may cause an odor.
- In areas with hard water, clean the filter at least once a month with a soft brush.
- Clean the filters using non-abrasive materials and warm running water.
- Make sure the filter is assembled correctly before starting a cycle. When assembling, rotate it firmly until it clicks.



Recommended Filter Cleaning Schedule

Number of Loads Per Week	If you wash dishes before loading	If you scrape and rinse dishes before loading	If you only scrape dishes before loading	If you do not scrape or rinse dishes before loading
1-3	Every 6 months	Once a year	Four times a year	Once a month
4-7	Every 6 months	Once a year	Four times a year	Twice a month (every 15 days)
8-12	Every 6 months	Every 6 months	Every 1.5 months	Every week
13-14	Every 6 months	Every 6 mont	Every 1.5 months	Twice a week

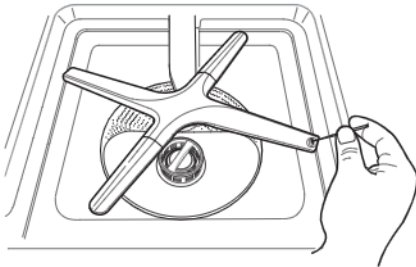
Cleaning the Spray Arms

If the spray arm holes are blocked by any food residue, dishes may not be cleaned well due to improper water spray.

It is recommended that the spray arms be cleaned once every two weeks.

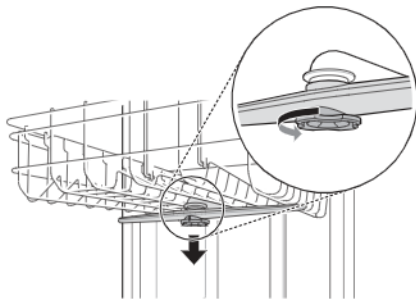
Cleaning the Lower Spray Arm

- 1 Make sure that the water jet holes are not blocked by food particles.
- 2 If any food residue blocks the spray arm holes, remove it with a pin or any sharp tool.

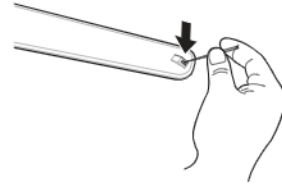


Cleaning the Upper Spray Arm

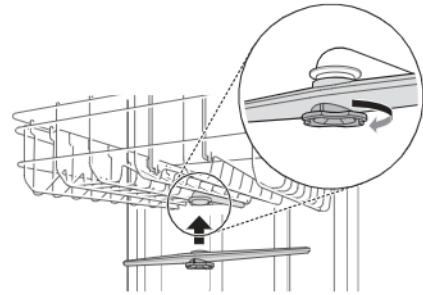
- 1 Pull the upper rack forward. Make sure that the water jet holes are not blocked by food particles.
- 2 When cleaning is necessary, remove the upper spray arm by turning the nut on the bottom of the spray arm $\frac{1}{8}$ turn counter-clockwise and pulling down.



- 3 Remove food particles by rinsing or shaking the spray arm.
- 4 If any food residue blocks the spray arm holes, remove it with a pin or any sharp tool.



- 5 After removing the food residue, clean the spray arms holes under running water.
- 6 After cleaning the upper spray arm, press it up into place. Turn the nut $\frac{1}{8}$ turn clockwise to make sure that the nut locks back into place.



- 7 After assembly, check whether the spray arms rotate freely.

TROUBLESHOOTING

FAQs: Frequently Asked Questions

Q: Does this dishwasher require a rinse aid to be used?

A: Rinse aid is strongly recommended to enhance the drying performance of the dishwasher. In order to be more energy efficient, the hybrid drying system does not use a heating element to assist in drying, so a rinse aid plays an integral role in the drying process. If a rinse aid is not used, water may remain on the dishes and the tub. Rinse aid helps to ensure that the majority of the water has been sheeted off of the dishes at the end of the rinse and that the load is ready for the dry cycle.

Q: What can be done if my dishes have a cloudy, white film on them after a wash?

A: The cloudy film is usually caused by minerals in the water reacting with the dishwasher detergent. First, be certain not to use too much detergent. Refer to Adding Detergent to the Dispenser section for recommended detergent amounts. Add an extra rinse to the cycle. LG Dishwashers use less water than traditional dishwashers, so adding an extra rinse aids in rinsing the film away. If the water supply is hard, it may be necessary to add a performance booster that addresses the hard water condition.

Q: What steps can I take to improve drying results?

A: Drying performance is directly affected by the amount of heat that remains in the tub after the heated rinse is performed. If your dishwasher is far away from your home's hot water heater, it may be necessary to run the hot water tap in the sink before starting a wash cycle, to ensure that cool water is purged from the hot water lines. This will ensure your dishwasher has a consistent supply of hot water from start to finish. Using the High Temp setting also aids in keeping the inner drum temperature and dishes hotter before drying begins.

LG dishwashers are designed to be used in conjunction with a rinse aid. Using a rinse aid will maximize the amount of water that has already been sheeted away from the dishes before the dry cycle begins. If a rinse aid is used and the performance still needs a boost, adjust the amount of rinse aid used. 2 is the default setting, but if necessary set the level to 3 so more rinse aid is used.

Water tends to bead rather than sheet off plastic and nonstick surfaces, making them more difficult to dry. If washing plastic items in a Normal cycle, select the **Extra Dry** or **Night Dry** option or both for better drying results. When the rinse aid is empty, the **Extra Dry** option is selected automatically.

Allow the dishwasher to completely finish the dry cycle before opening the door. If the door is opened in the middle of the dry cycle, the heat that is necessary for the hybrid dry system to work will escape. This will cause all of the dishes inside to remain wet once the cycle finishes.

Q: What is the hybrid drying system?

A: The dishwasher does not rely on a heating element for the drying process; instead, it relies on the heat that is retained by the dishes and the tub during the wash and rinse cycles to turn the moisture in the tub into humidity.

Warm, moist air in the dishwasher is then pulled into a condensing duct in the door by a fan. The air then cools, which causes the humidity to condense. Room temperature air is also drawn into the duct to help the air cool down faster. When this moisture condenses into a liquid, it is drained out.

NOTE

- Rinse aid is required to enhance the drying performance. If no rinse aid is used, water may remain on the dishes and the tub.

Q: Why am I hearing a whistling sound from the dishwasher?

A: It is important to determine the duration of the noise and when it happens (what part of the cycle). When water is drawn into the dishwasher, a whistling noise can be heard. This is normal. If the water pressure is too high, it will be louder, so it may be necessary to adjust the water valve to lower the pressure if the noise is too loud.

Q: What kinds of dishes can be placed in the dishwasher?

A: Ensure that the dishes you place in the dishwasher are dishwasher safe. Plastic dishware will not dry as effectively as glass and metal dishware. Plastic items do not retain heat as well as glass and metal dishware. Plastic cups and dishes may require some hand drying before being put away at the end of the cycle.

Q: Can I perform a drain only cycle?

A: To drain standing water, press and hold **Start** for three seconds until the cycle stops. Once the dishwasher finishes draining, the power turns off.

Q: Why does my dishwasher continuously chime if I open the door during a cycle or right after the cycle has finished?

A: This is normal. The dishwasher is letting you know that the interior temperatures of the unit are hot and to use caution when placing your hands inside. Once the unit has cooled down, the chiming will stop.

Q: What is Control Lock and how is it activated?

A: **Control Lock** is a feature that prevents the controls from being changed during the cycle. It does not prevent the door from being opened or the unit from being powered off. To activate or deactivate, press and hold **Half Load** and **Energy Saver** simultaneously for three seconds.

Q: Can I add an extension to the drain hose?

A: If an extension drain hose is required, use $\frac{5}{8}$ " or $\frac{7}{8}$ " inside diameter, 2-3 ft. length hose and a coupler for connecting the two hose ends.

Q: An LED is blinking, the machine is chiming, and the dishwasher won't start. What is wrong with the dishwasher?

A: This is a safety feature. The door must be closed within four seconds of pressing the **Start** button. If the door is not closed within four seconds, an LED flashes, an audible alert sounds, and the dishwasher does not operate. To start the dishwasher, open the door and either close the door and press **Start** (front controls) or press **Start** and close the door within four seconds (top controls).

Q: Before loading dishes, should I pre-rinse dishes?

A: No, you don't need to pre-rinse the dishes before loading especially if using the Normal and Auto cycles. The dishwasher washes dishes clean without pre-rinsing.

User Support Videos

For further assistance, there are videos and tutorials available through the LG.com website.

- 1 On the www.lg.com/us home page, click on the Support menu tab to bring up the menu selections. Select **Video Tutorials**.
- 2 Select a product category and then pick a topic or search a keyword.



Scan this QR code to quickly access the video search page on the LG website.

Before Calling for Service






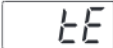


The appliance is equipped with an automatic error-monitoring system to detect and diagnose problems at an early stage. If the appliance does not function properly or does not function at all, check the following before you call for service.

Problem	Possible Cause	Solutions
Dishwasher will not operate.	Start button is not pressed.	• Press the Start button.
	Door is not completely closed.	• Make sure that the door is completely closed and latched.
	Power supply or power supply line is not connected.	• Connect the power supply or power supply line properly.
	Fuse is blown or circuit breaker tripped.	• Replace the fuse or reset the circuit breaker.
Dishwasher operates too long.	Dishwasher is connected to cold water.	• Check the water supply connection or water heater setting. (Heating cold water takes longer.)
Odor	The previous cycle was stopped before completion and residual water remains in the dishwasher.	• Turn on the power, run the Cancel cycle option to remove the residual water, then run the Turbo cycle using detergent but with the dishwasher empty.
	There is food in the bottom of the unit or in the filter.	• Clean the filter and the interior according to the Maintenance section of the owner's manual.
	Unwashed dishes are left in the unit for a long time.	• Cycle with one cup of white vinegar in a dishwasher safe glass or bowl placed on the upper rack. (Vinegar is an acid, and with constant use it could damage your appliance.)
Water remains in tub after completion of cycle.	Drain hose is kinked or clogged.	• Adjust hose or clear blockage.
Food soil remains on dishes.	Improper cycle selection.	• Select correct cycle based on soil level and type of dishware being washed.
	Water temperature is too low.	• Check water supply connection or water heater setting.
	Dishwashing detergent was not used.	• Use recommended detergent.
	Low inlet water pressure.	• Water pressure should be between 20 and 80 psi.
	Water jet holes on spray arms blocked.	• Clean the spray arms.
	Improper loading of dishes.	• Make sure dishes do not block spray arm rotation or interfere with detergent dispenser.
	Filters are clogged.	• Clean filters.
Cloudiness on glassware.	Combination of excessive detergent and hard water.	• Use less detergent and use a rinse aid to minimize the problem.
Black or gray marks on dishes.	Aluminum items rubbing dishes during cycle.	• Reposition the dishes.
Yellow or brown film on inside surfaces of dishwasher.	Coffee or tea stains.	• Eliminate the stain by using a stain removal product.

Problem	Possible Cause	Solutions
Spots and filming on dishes.	Low water temperature.	<ul style="list-style-type: none"> Water supply should be at least 120 °F for best wash performance.
	Overloading.	<ul style="list-style-type: none"> Do not overload the dishwasher.
	Improper loading.	<ul style="list-style-type: none"> See the Operation section.
	Insufficient water pressure.	<ul style="list-style-type: none"> Water pressure should be between 20 and 80 psi.
	Insufficient detergent.	<ul style="list-style-type: none"> Add the recommended amount of detergent. See the Operation section.
	Rinse aid dispenser is empty.	<ul style="list-style-type: none"> Refill rinse aid dispenser.
	Hard water buildup in the tub.	<ul style="list-style-type: none"> Remove all dishes, silverware and silverware holder from dishwasher. Only racks should remain in tub. For best results, use citric acid powder (can be found in canning sections of most grocery stores or online). Measure 3 tablespoons (40 g) of citric acid powder. Fill main wash compartment with measured powder. If you cannot find citric acid powder, pour approximately one cup (200-300 mL) of white vinegar into shallow bowl and place in upper rack. Run Machine Clean cycle. Do not use detergent.
Noise	Some level of noise is normal during operation.	<ul style="list-style-type: none"> Detergent cover opening. Drain pump at the beginning of drain cycle.
	The dishwasher is not level.	<ul style="list-style-type: none"> Adjust leveling feet.
	Nozzle arm knocking against dishes.	<ul style="list-style-type: none"> Reposition the dishes.
Dishes don't dry.	Rinse agent dispenser empty.	<ul style="list-style-type: none"> Check and refill the rinse agent dispenser if empty.
Lamps do not illuminate.	Power is not connected.	<ul style="list-style-type: none"> Connect power supply.
Spray arms do not rotate smoothly.	Holes of spray arms are blocked by food particles.	<ul style="list-style-type: none"> Clean the holes of spray arms.
Upper rack is crooked.	Rack is poorly adjusted.	<ul style="list-style-type: none"> See the Height Adjustable Upper Rack section.
Dishwasher continuously chimes when the door is opened, during or right after a cycle has completed.	This is a safety measure. Contact with escaping steam or the hot contents of the dishwasher could result in injury.	<ul style="list-style-type: none"> Close the door until the dishwasher and dishes have cooled down. The chiming will stop if the door is closed or the interior temperature has cooled.

Problem	Possible Cause	Solutions
Dishwasher chimes if panel is touched during operation.	Bumping into or touching the control panel during operation may result in a disabled button sound. Only the Power, Start, and Control Lock buttons are enabled during operation to prevent cycle settings from being changed inadvertently.	<ul style="list-style-type: none"> • Button sounds can be turned off by pressing and holding Half Load for three seconds. • The end of cycle chime and safety alert sounds will still sound.
Dishwasher did not finish cycle.	Door was opened during cycle.	<ul style="list-style-type: none"> • If the door is opened during a cycle, the Start key must be pressed within 4 minutes or the machine turns off and all settings are lost.
Leaking in front of unit	Dishwasher not leveled properly.	<ul style="list-style-type: none"> • Verify the unit is level from side to side and from front to back. See leveling instructions in the Installation section.
P1, P2, P3, or P4 appears in display.	The Download cycle is selected.	<ul style="list-style-type: none"> • This is not an error code. This code indicates the current Download cycle.

Error Codes

Problem	Possible Cause	Solutions
	Water inlet problem.	<ul style="list-style-type: none"> • Check for a clogged, kinked or frozen water inlet hose. • Check water supply.
	Drainage Problem.	<ul style="list-style-type: none"> • Check for a clogged, kinked or frozen water drain hose.
	Air gap or disposal is clogged.	<ul style="list-style-type: none"> • Clean air gap or disposal.
	Filters are clogged.	<ul style="list-style-type: none"> • Clean Filters.
	Water leakage	<ul style="list-style-type: none"> • Turn off the water supply to the dishwasher and call an LG Electronics Customer Information Center at 1-800-243-0000 (U.S.A.) or 1-888-542-2623 (Canada). • The dishwasher makes an alert sound for 10 seconds, and runs the drain pump intermittently. If power is turned off to the machine, the machine powers back on automatically until the AE error is resolved.
	Excessive Water supplied.	<ul style="list-style-type: none"> • Please call an LG Electronics Customer Information Center at 1-800-243-0000 (U.S.A.) 1-888-542-2623 (Canada).
	Heater circuit failure.	
	Thermistor failure.	
	Motor trouble	
	Vario motor trouble	

WARRANTY

Should your LG Dishwasher fail due to a defect in materials or workmanship under normal home use, during the warranty period set forth below, LG will at its option repair or replace the product. This limited warranty is valid only to the original retail purchaser of the product and applies only when purchased and used within the United States, including U.S. Territories. Proof of original retail purchase is required to obtain warranty service under this limited warranty.

Warranty Period	Scope of Warranty	HOW SERVICE IS HANDLED
One (1) year from date of original retail purchase	Labor / Parts	LG will also provide, free of charge, all labor and on-site service to replace the defective part.
Five (5) years from date of original retail purchase	Electronics / Racks	Electronic control board and dishwasher racks. Customer will be responsible for any labor or in-home service to replace defective parts.
Ten (10) years from date of original retail purchase	Direct Drive Motor	Direct Drive motor. Customer will be responsible for any labor or in-home service to replace defective parts.
Limited Lifetime	Tub	Stainless steel door liner and tub. Customer will be responsible for any labor or in-home service to replace defective parts.

- Replacement products and parts are warranted for the remaining portion of the original warranty period or ninety (90) days, whichever is greater.
- Replacement products and parts may be new or remanufactured.



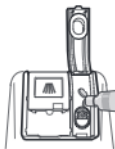



THIS WARRANTY IS IN LIEU OF ANY OTHER WARRANTY, EXPRESS OR IMPLIED, INCLUDING WITHOUT LIMITATION, ANY WARRANTY OF MERCHANTABILITY OR FITNESS FOR A PARTICULAR PURPOSE. TO THE EXTENT ANY IMPLIED WARRANTY IS REQUIRED BY LAW, IT IS LIMITED IN DURATION TO THE EXPRESS WARRANTY PERIOD ABOVE. NEITHER THE MANUFACTURER NOR ITS U.S. DISTRIBUTOR SHALL BE LIABLE FOR ANY INCIDENTAL, CONSEQUENTIAL, INDIRECT, SPECIAL, OR PUNITIVE DAMAGES OF ANY NATURE, INCLUDING WITHOUT LIMITATION, LOST REVENUES OR PROFITS, OR ANY OTHER DAMAGE WHETHER BASED IN CONTRACT, TORT, OR OTHERWISE.


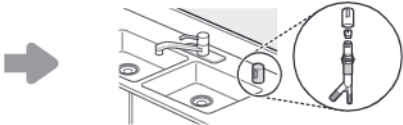
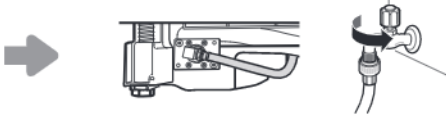
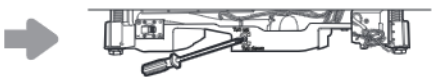
Some states do not allow the exclusion or limitation of incidental or consequential damages or limitations on how long an implied warranty lasts, so the above exclusion or limitation may not apply to you. This warranty gives you specific legal rights and you may also have other rights that vary from state to state.

THIS LIMITED WARRANTY DOES NOT COVER:

- Service trips to deliver, pick up, or install or repair the product; instruction to the customer on operation of the product; repair or replacement of fuses or correction of wiring or plumbing, or correction of unauthorized repairs/installation.
- Failure of the product to perform during power failures and interrupted or inadequate electrical service.
- Damage caused by leaky or broken water pipes, frozen water pipes, restricted drain lines, inadequate or interrupted water supply or inadequate supply of air.
- Damage resulting from operating the product in a corrosive atmosphere or contrary to the instructions outlined in the product's owner's manual.
- Damage to the product caused by accidents, pests and vermin, lightning, wind, fire, floods, or acts of God.
- Damage or failure caused by unauthorized modification or alteration, or if it is used for other than the intended purpose, or any water leakage where the unit was not properly installed.

- Damage or failure caused by incorrect electrical current, voltage, or plumbing codes, commercial or industrial use, or use of accessories, components, or consumable cleaning products that are not approved by LG.
- Damage caused by transportation and handling, including scratches, dents, chips, and/or other damage to the finish of your product, unless such damage results from defects in materials or workmanship and is reported within one (1) week of delivery.
- Damage or missing items to any display, open box, discounted, or refurbished product.
- Products with original serial numbers that have been removed, altered, or cannot be readily determined. Model and serial numbers, along with original retail sales receipts, are required for warranty validation.
- Increases in utility costs and additional utility expenses.
- Repairs when your product is used for other than normal and usual household use (e.g. commercial use, in offices and recreational facilities) or contrary to the instructions outlined in the product's owner's manual.
- Costs associated with removal of your product from your home for repairs.

<p>Poor wash results caused by debris remaining in the filter.</p>		<ul style="list-style-type: none"> • Clean the filter regularly.
<p>Poor wash results caused by improper loading or over stacking: wash arm won't rotate or soap dispenser is held closed.</p>		<ul style="list-style-type: none"> • Make certain that no dishes or utensils are in the path of the spray arms. • Do not place one dish on top of another.
<p>Poor drying results caused by lack of rinse aid.</p>		<ul style="list-style-type: none"> • Use rinse aid or combination detergent.
<p>Water is not supplied because the water tap is not turned on. IE error</p>		<ul style="list-style-type: none"> • Check and turn on the water tap.
<p>Water is not supplied because the inlet hose is kinked. IE error</p>		<ul style="list-style-type: none"> • Reinstall the inlet hose.
<p>Not draining because drain hose is kinked. OE error</p>		<ul style="list-style-type: none"> • Reinstall the drain hose.

<p>The knockout plug in the garbage disposal is not removed.</p> <p>OE error</p>		<ul style="list-style-type: none"> Remove the plug on the disposal.
<p>The disposal or air gap is blocked by debris.</p> <p>OE error</p>		<ul style="list-style-type: none"> Clean the disposal or the air gap.
<p>Inlet valve and drain hose connection problem caused by improper installation.</p> <p>External leakage</p>		<ul style="list-style-type: none"> Reinstall the hose.
<p>Door movement or closing compromised by incorrect leveling.</p>		<ul style="list-style-type: none"> Adjust the lower front leveling legs to the required height.
<p>No power due to loose connection of power supply line or electrical outlet problem.</p>		<ul style="list-style-type: none"> Reconnect the power supply line or repair the electrical outlet.
<p>Pick-up, electrical wiring, plumbing.</p> <p>Installation</p>		<ul style="list-style-type: none"> You will be charged for the installation.

The cost of repair or replacement under these excluded circumstances shall be borne by the consumer.

TO OBTAIN WARRANTY SERVICE AND ADDITIONAL INFORMATION

For additional product information, visit the LG website at <http://www.lg.com>

For assistance using this product or to schedule service, contact LG Electronics at 1-800-243-0000.

For further assistance, write: LG Electronics, 201 James Record Road, Huntsville, Alabama 35813



MANUAL DEL PROPIETARIO

LAVAVAJILLAS

Lea detenidamente el manual del propietario antes de poner el electrodoméstico en funcionamiento y consérvelo a mano en todo momento para su referencia.

LDT779#** LDP679#**

LDP567#** LDT566#**

LDF554#**



MFL69261715
Rev.00_112816

TABLA DE CONTENIDOS

3 CARACTERÍSTICAS DEL PRODUCTO

4 INSTRUCCIONES DE SEGURIDAD

- 4 INSTRUCCIONES IMPORTANTES DE SEGURIDAD

9 DESCRIPCIÓN GENERAL DEL PRODUCTO

- 9 Piezas exteriores
- 10 Piezas interiores
- 10 Accesorios

11 INSTALACIÓN

- 11 Piezas y herramientas para la instalación
- 12 Descripción general de la instalación
- 12 Dimensiones del producto
- 12 Especificaciones del producto
- 13 Preparación de la abertura para el gabinete
- 14 Preparación del cableado eléctrico
- 14 Preparación de la conexión para el suministro de agua
- 15 Preparación del lavavajillas
- 16 Deslizamiento del lavavajillas en el gabinete
- 17 Nivelado del artefacto
- 18 Fijación del lavavajillas al mostrador
- 18 Conexión de la manguera de desagüe
- 20 Conexión del suministro de agua
- 20 Conexión de la alimentación eléctrica
- 21 Verificación final

22 FUNCIONAMIENTO

- 22 Uso del artefacto
- 23 Panel de control
- 24 Ciclos
- 25 Opciones
- 26 Guía de ciclos y opciones
- 27 Carga del lavavajillas
- 27 Carga en la bandeja inferior

- 29 Carga en el cesto para cubiertos
- 30 Carga en la bandeja superior
- 33 Carga del estante de cubiertos (en algunos modelos)
- 35 Agregado de agentes de limpieza

37 FUNCIONES INTELIGENTES

- 37 Instalación de la aplicación
- 37 Registro del producto
- 37 Uso de la función Tag On
- 38 Uso de la función Wi-Fi
- 40 Uso de Smart Diagnosis™

41 MANTENIMIENTO

- 41 Limpieza del exterior
- 41 Limpieza del interior
- 41 Mantenimiento estacional y almacenamiento
- 42 Trampa de aire del desagüe o triturador del fregadero obstruidos
- 43 Limpieza de los filtros
- 44 Limpieza de los brazos rociadores

45 SOLUCIÓN DE PROBLEMAS

- 45 Preguntas frecuentes
- 47 Videos de soporte para el usuario
- 48 Antes de llamar al servicio técnico

51 GARANTÍA

CARACTERÍSTICAS DEL PRODUCTO

Sistema QuadWash™

Los brazos rociadores inferiores Multi-Motion esparcen el agua en diferentes direcciones y en intensidades optimizadas para llegar a cada zona de la cuba. El sistema proporciona cobertura de limpieza más completa y de mayor potencia.

Motor inversor Direct Drive

La experiencia de LG en tecnología de motores tiene como resultado una funcionalidad extraordinaria con características de avanzada, tales como la opción Dual Zone, un funcionamiento silencioso, la eficiencia en el consumo de energía y la durabilidad.

Su simple diseño y la alta calidad del motor lo hacen tan confiable que está cubierto por 10 años de garantía.

EasyRack Plus

Este sistema de alturas de bandejas y juntas separadoras ajustables es fácil de usar y brinda más flexibilidad y versatilidad cuando se le carga vajilla de varias formas y tamaños.

Sistema de secado híbrido

Este eficiente sistema de secado no usa un elemento calentador durante el proceso de secado, lo que tiene como resultado una eficiencia superior en el consumo de energía y un suave cuidado para su vajilla.

Smart ThinQ™


Descargue la nueva aplicación de LG para teléfonos inteligentes para configurar las opciones, autodiagnosticar y resolver problemas del artefacto y otras características de gran utilidad. Algunas de estas funciones utilizan Wi-Fi o tecnología de comunicación de campo cercano (NFC, por sus siglas en inglés) y requieren un teléfono inteligente equipado con NFC.

INSTRUCCIONES DE SEGURIDAD

LEA TODAS LAS INSTRUCCIONES ANTES DE UTILIZAR

Su seguridad y la de los demás son muy importantes.

Tanto en este manual como en el equipo, hemos proporcionado muchos mensajes de seguridad importantes. Siempre debe leer y respetar todos los mensajes de seguridad.

Este es el símbolo de alerta de seguridad.
 Este símbolo le advierte sobre posibles riesgos que pueden ocasionar lesiones o la muerte a usted o a otros. El símbolo de alerta de seguridad siempre estará acompañado de las palabras "ADVERTENCIA" o "PRECAUCIÓN" y seguido de un mensaje de seguridad importante.

Estos términos significan lo siguiente:

ADVERTENCIA

Podría sufrir lesiones graves o la muerte si no sigue las instrucciones.

PRECAUCIÓN

%%%%%%%%%

Todos los mensajes de seguridad le indicarán cuál es el riesgo potencial, le indicarán cómo reducir la probabilidad de lesiones y le darán información sobre qué podría suceder si no se siguen las instrucciones.

INSTRUCCIONES IMPORTANTES DE SEGURIDAD

ADVERTENCIA

Para disminuir el riesgo de explosiones, incendios, descargas eléctricas, quemaduras, lesiones o muerte a las personas que usen este artefacto, siga las precauciones básicas, incluidas las siguientes:

Ley de Ejecución de Agua Potable y Materiales Tóxicos de California

- Este producto contiene químicos que, según el estado de California, son causantes de cáncer, defectos de nacimiento u otros daños reproductivos. **Lávese las manos después de utilizarlo.**

INSTALACIÓN

- Debe conectarse a un circuito de alimentación de clasificación y tamaño adecuados y debidamente protegido para evitar la sobrecarga eléctrica.
- Para reducir el riesgo de lesiones graves o muerte, siga todas las instrucciones de instalación.
- El artefacto debe ser instalado y conectado a tierra por personal de servicio calificado, de acuerdo con los códigos locales.
- Desconecte la línea de alimentación, el fusible del hogar o el interruptor de corriente antes de instalar o reparar el artefacto.
- Cuando traslade o instale el producto en un lugar diferente, llame a personal de servicio calificado para la instalación y el mantenimiento.
- Mantenga los materiales de empaque fuera del alcance de los niños. Los materiales de empaque pueden ser peligrosos para los niños. Corren riesgo de asfixia.
- El traslado o la instalación del artefacto requieren de dos o más personas.
- Este artefacto no ha sido diseñado para ser usado en embarcaciones o instalaciones móviles, tales como casas rodantes, remolques o aeronaves.

- Almacene e instale el artefacto donde no esté expuesto a temperaturas bajo cero ni a la intemperie.
- Debe posicionar este artefacto cerca de una fuente de suministro eléctrico.
- En ninguna circunstancia debe cortar o quitar la tercera clavija (tierra) de la línea de alimentación.
- Cuando traslade o instale el aparato, tenga especial cuidado en no apretar, aplastar o dañar la línea de alimentación.
- No instale el artefacto en lugares húmedos.
- Destruya el cartón, la bolsa de plástico y los demás materiales de empaque luego de desempacar el artefacto. Estos materiales podrían utilizarlos los niños para jugar. Las cajas de cartón cubiertas con tapetes, colchas o láminas plásticas pueden convertirse en cámaras herméticas.
- Nunca intente operar este artefacto si se encuentra dañado, si no funciona correctamente, si no está ensamblado por completo o si tiene piezas faltantes o rotas, incluido una línea de alimentación dañada.
- Cumpla con todos los procedimientos de seguridad del sector recomendados, incluido el uso de guantes de manga larga y gafas de seguridad.
- El instalador debe asegurarse de que el lavavajillas esté completamente cerrado al momento de la instalación.
- Use mangueras nuevas cuando conecte el aparato al suministro de agua. No reutilice mangueras viejas.
- Después de instalar el lavavajillas, verifique que no haya fugas en la conexión de la manguera.
- No dañe la línea de alimentación del artefacto ni coloque objetos pesados sobre él.

FUNCIONAMIENTO

- Repare o reemplace de inmediato todas las líneas de alimentación deshilachados o dañados de otra forma. No use un cable que exhiba roturas o abrasión en su longitud o en sus extremos.
- Si detecta un sonido extraño, olor a quemado o a químico, o humo provenientes del artefacto, desconéctelo de inmediato y contáctese con un Centro de Información al Cliente de LG Electronics.
- Nunca desconecte el artefacto tirando de la línea de alimentación.
- No use un cable de extensión ni un adaptador con este artefacto.
- No sujete la línea de alimentación ni toque los controles del artefacto con las manos húmedas.
- No modifique ni extienda el cable de alimentación.
- Si el producto se ha mojado accidentalmente, comuníquese con el Centro de Información al Cliente de LG Electronics para que le den instrucciones antes de reanudar el uso.
- No almacene ni use gasolina u otros líquidos o vapores inflamables cerca de este artefacto ni de ningún otro.
- Mantenga el área debajo de los artefactos y sus alrededores libre de materiales combustibles (pelusa, papel, trapos, etc.), gasolina, productos químicos y otros vapores o líquidos inflamables.
- Este artefacto no ha sido diseñado para ser utilizado por personas con capacidades físicas, sensoriales o mentales disminuidas (incluidos niños) o que no cuenten con la experiencia o los conocimientos necesarios para operarlo, salvo que una persona responsable de su seguridad les brinde la supervisión o la instrucción pertinente en cuanto al uso del artefacto.
- Si se daña la línea de alimentación eléctrica, solo el fabricante está autorizado para reemplazarlo, o bien su agente de servicio técnico o una persona de calificación similar para prevenir riesgos.
- No maltrate la puerta, no se siente ni se pare sobre ella.
- Lea todas las instrucciones antes de usar el artefacto y consérvelas.
- Use el artefacto únicamente para el fin previsto.

- No permita que los niños jueguen con el artefacto. Es necesario supervisar atentamente a los niños cuando el artefacto esté en funcionamiento cerca de ellos.
- No utilice indebidamente los controles.
- En el caso de que se produzca una fuga de gas (gas propano, gas licuado de petróleo, etc.), no ponga en funcionamiento este artefacto ni ningún otro. Abra una puerta o una ventana para ventilar el área de inmediato.
- Bajo ciertas condiciones, podría producirse gas hidrógeno en un sistema de agua caliente que no ha sido utilizado por dos semanas o más. **EL GAS HIDRÓGENO ES EXPLOSIVO.** Si el sistema de agua caliente no se ha usado durante ese período de tiempo, abra todas las llaves de agua caliente y deje que fluya varios minutos antes de usar el artefacto. Esto eliminará el gas hidrógeno acumulado. Dado que el gas hidrógeno es inflamable, no fume ni use ninguna llama abierta durante este proceso.
- Fije la manguera de desagüe en su sitio de manera segura.
- Solo use detergentes y agentes de enjuague recomendados para lavavajillas. Mantenga dichos productos fuera del alcance de los niños.
- No permita que los niños ingieran detergente o agentes de enjuague para vajilla.
- Cuando cargue objetos para su lavado:
 - Cargue los objetos cortantes de tal forma que no dañen el sello de la puerta.
 - Cargue los cuchillos filosos para disminuir el riesgo de heridas cortantes.
- No lave artículos de plástico a menos que contengan la indicación de que son "seguros para lavar con lavavajillas" o una indicación equivalente. Para los artículos de plástico que no contengan tal indicación, consulte las recomendaciones del fabricante.
- No toque el ELEMENTO CALENTADOR durante el uso o inmediatamente después.
- No ponga en funcionamiento el lavavajillas a menos que todos los paneles del CERRAMIENTO estén en el lugar adecuado.
- No maltrate la puerta o las bandejas del lavavajillas, no se sienten ni se pare sobre ellas.
- No instale ni almacene el lavavajillas en lugares expuestos a la intemperie.
- Después de limpiar la vajilla, cierre la llave. Vuelva a abrir la llave y revise el estado de la conexión de la manguera de suministro de agua antes de limpiar.
- No abra la puerta durante la operación. Por motivos de seguridad, la bomba de purga opera si la puerta está abierta, lo que tiene como resultado un tiempo de ciclo más largo.
- Tenga cuidado de no apretarse la mano al cerrar la puerta.
- No enchufe el lavavajillas en un tomacorriente dañado.
- No instale ni coloque el lavavajillas cerca de componentes eléctricos o llamas expuestas.
- No lave vajilla que haya estado expuesta a gasolina, solventes u otros materiales inflamables.
- Al limpiar, no rocíe agua directamente sobre el producto.
- No presione los botones con objetos punzantes o filosos como un alfiler o un punzón.
- No utilice detergente con base solvente.
- No haga contacto con la salida de vapor.
- Si se extraen del lavavajillas, las piezas pequeñas como los ganchos de las bandejas y los postes de retención del filtro pueden presentar riesgo de asfixia para niños pequeños. Mantenga dichas piezas fuera del alcance de los niños.

MANTENIMIENTO

- No repare ni reemplace ninguna pieza del artefacto. Todas las reparaciones y el servicio de mantenimiento deben ser realizados por un miembro del personal de servicio calificado, a menos que se recomiende lo contrario en este Manual del propietario. Use solamente piezas de fábrica autorizadas.
- No desarme ni repare el artefacto por su cuenta.
- Quite el polvo o los materiales extraños de las clavijas de la línea de alimentación.
- Desconecte el artefacto del suministro eléctrico antes de limpiarlo o de realizar cualquier tipo de mantenimiento que pueda realizar el usuario. Colocar los controles en la posición de apagado no desconecta el artefacto del suministro eléctrico.
- Quite la puerta antes de sacar de servicio o desechar el artefacto para evitar el riesgo de que niños o animales pequeños queden atrapados adentro.
- Desconecte el artefacto antes de limpiar para evitar el riesgo de descargas eléctricas.
- Antes de desechar el producto, corte la línea de alimentación y destruya el panel de control del producto.

INSTRUCCIONES DE CONEXIÓN A TIERRA

- Para conectar el lavavajillas de modo permanente: Este artefacto debe estar conectado a un sistema permanente de cableado de metal con descarga a tierra, o bien debe instalarse un conductor de puesta a tierra del equipo con los conductores de circuito y conectarse a un terminal de puesta a tierra del equipo o a un extremo del dispositivo.
- Conecte el cable a tierra al conector a tierra de color verde en la caja de conexiones eléctricas.

RIESGO DE VUELCO

- No use el lavavajillas hasta que esté instalado por completo.
- No empuje hacia abajo la puerta del lavavajillas cuando esté abierta.
- El incumplimiento de estas instrucciones podría causar heridas o cortes graves.

GUARDE ESTAS INSTRUCCIONES

PRECAUCIÓN

Para reducir el riesgo de lesiones leves a las personas, así como de mal funcionamiento del producto o de que el artefacto resulte dañado o la propiedad sufra daños ante la utilización de este producto, siga las precauciones básicas, que incluyen las siguientes:

INSTALACIÓN

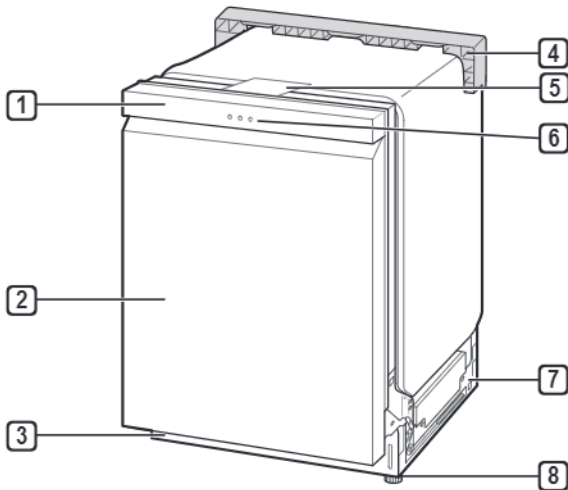
- Instale el producto sobre un piso firme y nivelado.
- El lavavajillas debe estar conectado a un suministro de agua caliente con un rango de temperatura entre 120 °F (49 °C) y 149 °F (65 °C). Este rango de temperatura brinda los mejores resultados de lavado y el ciclo más corto. La temperatura no debe superar los 149 °F (65 °C) para evitar dañar la vajilla.
- No coloque la manguera de desagüe debajo del lavavajillas durante la instalación.

FUNCIONAMIENTO

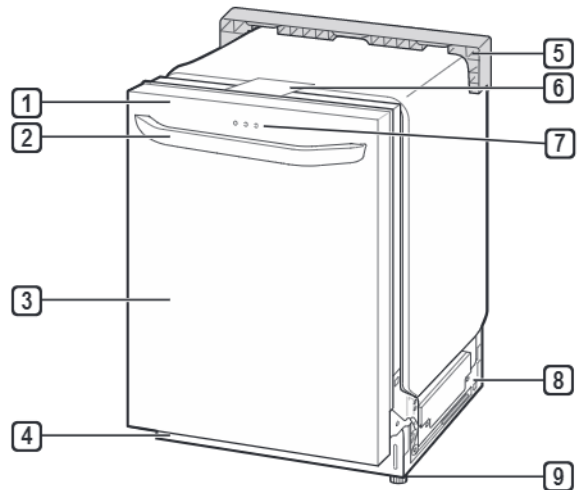
- No coloque ningún objeto encima del artefacto.
- Cierre las llaves de agua y desconecte el artefacto si este no será usado por un periodo de tiempo prolongado, por ejemplo, durante las vacaciones.
- No almacene ni vierta limpiadores, blanqueadores (blanqueador con cloro, blanqueador oxigenado, etc.) ni detergentes líquidos encima del artefacto. Si lo hace, podría ocasionar corrosión, decoloración o daño de la superficie del artefacto.
- No toque el agua de desagüe, ya que podría estar caliente.
- Si la manguera de desagüe y la manguera de suministro de agua se congelan en invierno, descongélelas antes de usar el artefacto.
- No coloque las manos, pies u objetos metálicos debajo ni detrás del artefacto.
- No coloque la manguera de desagüe debajo del lavavajillas durante la instalación.

DESCRIPCIÓN GENERAL DEL PRODUCTO

Piezas exteriores



- 1 Panel de control y manija de la puerta
- 2 Cubierta frontal
- 3 Cubierta inferior
- 4 Soporte de embalaje
- 5 Cubierta de seguridad
- 6 Luz de señal (en algunos modelos)
- 7 Base
- 8 Patas de nivelación



- 1 Panel de control
- 2 Manija de la puerta
- 3 Cubierta frontal
- 4 Cubierta inferior
- 5 Soporte de embalaje
- 6 Cubierta de seguridad
- 7 Luz de señal (en algunos modelos)
- 8 Base
- 9 Patas de nivelación

NOTA

- No retire la cubierta de seguridad en ningún momento.

Luz de señal (pantalla frontal)

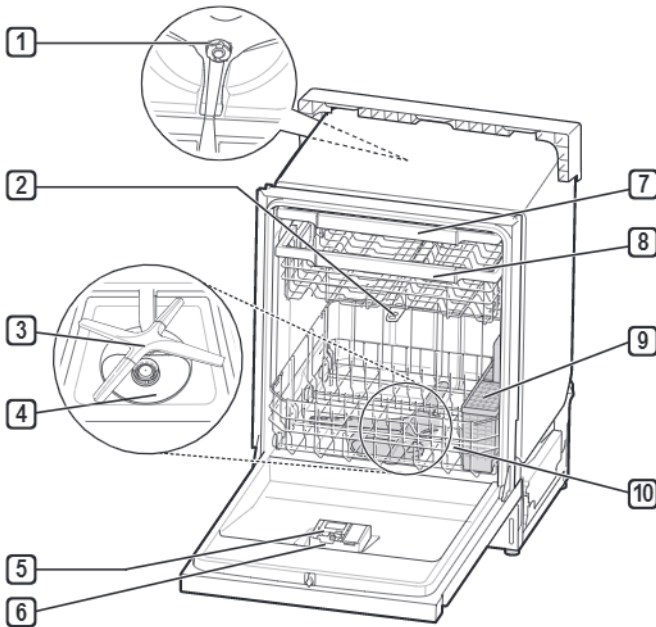
Los modelos con control superior cuentan con tres indicadores LED centrados en la parte superior de la cubierta frontal.

- Roja: Error (consulte los Códigos de error en la sección Resolución de problemas).
- Blanca (fija): Funcionamiento normal.
- Blanca (parpadea) El ciclo se ha pausado. (Después de cuatro minutos en modo pausa, la máquina se apaga).
- Verde: El ciclo finalizó normalmente.

La luz verde permanece encendida durante 90 segundos.

Para que la luz verde se mantenga encendida hasta que se abra la puerta, encienda el artefacto y luego mantenga presionado **High Temp** en el panel de control durante 3 segundos hasta que en la pantalla aparezca OFF u ON. El lavavajillas funcionará con esta configuración hasta que la misma se modifique en forma manual.

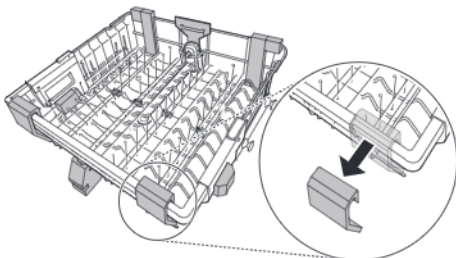
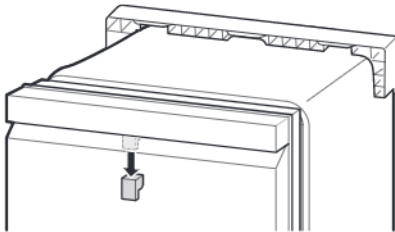
Piezas interiores



- 1 Rotor superior de lavado
- 2 Brazo rociador superior
- 3 Brazo rociador inferior
- 4 Sistema de filtrado
- 5 Dispensador de detergente y abrillantador
- 6 Cubierta de ventilación de secado
- 7 Bandeja para cubiertos (en algunos modelos)
- 8 Bandeja superior
- 9 Cesto para cubiertos
- 10 Bandeja inferior

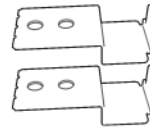
NOTA

- El cesto para cubiertos se encuentra instalado en la parte posterior del estante del fondo. Para un mejor desempeño, instálelo a lo largo del lado derecho, como se muestra en la sección Piezas interiores.
- Retire todos los materiales de empaque del exterior y el interior del lavavajillas antes de instalar el artefacto.



Accesorios

Accesorios incluidos



Soportes de instalación
(2 unidades)



Tornillos para madera
(4 unidades)



Abrazadera para manguera
(1 unidad)

INSTALACIÓN

Piezas y herramientas para la instalación

Piezas no incluidas



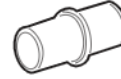
Cable eléctrico



Tubería de suministro de agua



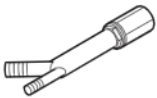
Accesorios para tubería



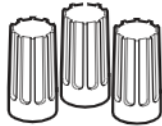
Acoplador



Cinta de Teflon™



Trampa de aire



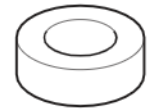
Tuercas para cableado calibre 16



Abrazadera para manguera

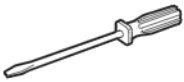


Aliviador de tensión de 3/8" aprobado por UL

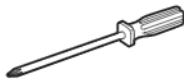


Cinta aislante

Herramientas necesarias



Destornillador de hoja plana



Destornillador Phillips



Broca con sierra de perforación de 2 1/2" mín.



Taladro eléctrico



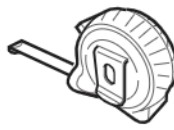
Guantes



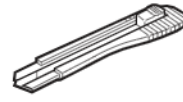
Gafas de seguridad



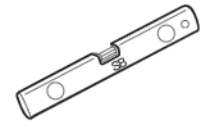
Llave ajustable



Cinta medidora



Cuchilla



Nivel



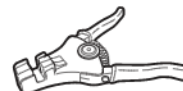
Cortador de tubería



Tenazas



Pinzas



Pelacables



Llave con accionamiento cuadrado de 1/4"

Descripción general de la instalación

Preparación de la abertura para el gabinete

Preparación del cableado eléctrico

Preparación de la conexión para el suministro de agua

Preparación del lavavajillas

Extracción de la cubierta inferior

Deslizamiento del lavavajillas en el gabinete

Nivelado del lavavajillas

Sujeción del lavavajillas al mostrador

Conexión de la manguera de desagüe

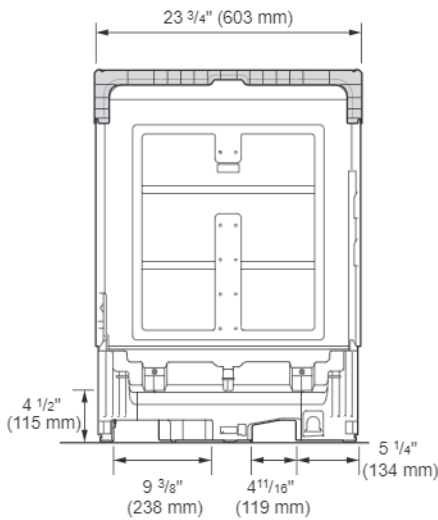
Conexión del suministro de agua

Conexión de la alimentación eléctrica

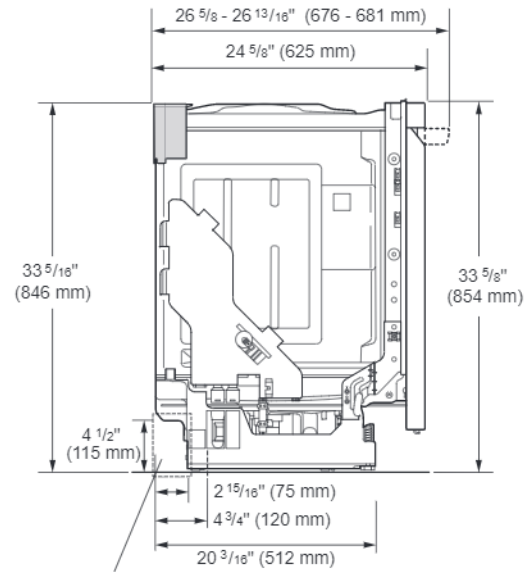
Verificación final

Dimensiones del producto

Vista posterior



Vista lateral



La manguera de suministro de agua, la manguera de desagüe y el cable eléctrico deben pasar a través de esta área.

NOTA

- Para una instalación más sencilla, observe las áreas marcadas arriba para los espacios libres correspondientes a la línea eléctrica y la línea de suministro de agua en la base del lavavajillas.

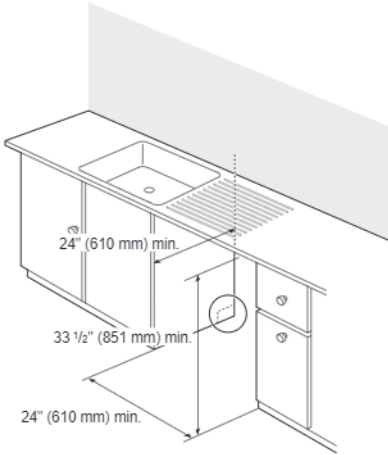
Especificaciones del producto

La apariencia y las especificaciones detalladas en este manual podrían variar debido a mejoras constantes en el producto.

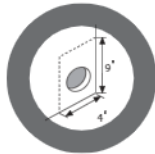
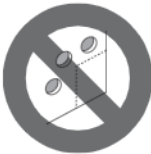
Requisitos eléctricos	120 V CA, 60 Hz solo, interruptor de corriente mínimo de 15 A
Presión de agua	20-80 psi (140-550 kPa)
Dimensiones	23 3/4" (A) X 24 5/8" (P) X 33 5/8" (L) 603 mm (A) X 625 mm (P) X 854 mm (L)
Temperatura de entrada	120 °F (49 °C) mínima, 149 °F (65 °C) máxima
Peso neto	72 - 82 lb (33 - 37 kg)

Preparación de la abertura para el gabinete

Este lavavajillas está diseñado para ajustarse a una abertura estándar para lavavajillas. Es posible que sea necesario hacer una abertura en ambos lados para pasar las conexiones de fontanería y eléctricas.



- 1** Seleccione una ubicación tan cercana al fregadero como sea posible para facilitar la conexión de las líneas de agua y desagüe.
- 2** Para asegurar un desagüe adecuado, el lavavajillas no se debe instalar a más de 12 pies (3.65 m) de distancia del fregadero.
- 3** Si instala el lavavajillas en un rincón, deje un mínimo de 2" (50 mm) entre el lavavajillas y el muro adyacente.
- 4** Para dejar el espacio adecuado para tareas de fontanería y electricidad, use la plantilla incluida con el material impreso para determinar el espacio libre del lado del gabinete donde el lavavajillas hace contacto con el muro posterior. Con una sierra de perforación de 2 1/2" de diámetro, haga un agujero en el área objetivo según se muestra en la plantilla.



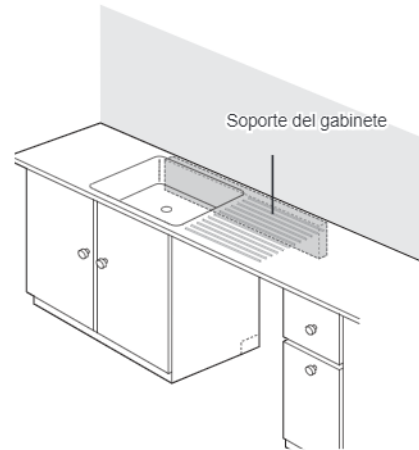
⚠ ADVERTENCIA

- No use los orificios existentes, a menos que se encuentren en el área objetivo. De lo contrario, las mangueras de suministro de agua y de desagüe podrían dañarse por aplastamiento o pliegue.

⚠ PRECAUCIÓN

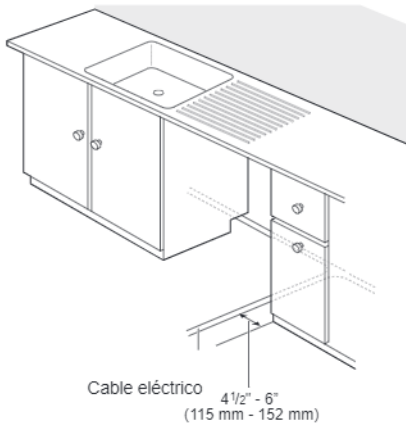
- Si no se realiza la perforación para las líneas de agua y desagüe en las ubicaciones adecuadas, esto podría impedir que el lavavajillas quede al ras de los gabinetes y podría plegar o dañar las líneas. El daño durante la instalación no está cubierto por la garantía, y las fugas causadas por la instalación inadecuada podrían dañar la propiedad.

Solo para instalaciones al ras, se podría extraer el soporte del gabinete del interior del mismo.



Preparación del cableado eléctrico

- 1 Este artefacto debe operarse con el voltaje correcto, que se indica en este manual y en la placa de datos técnicos. Conéctelo a un circuito dedicado y con conexión a tierra que esté protegido por un fusible de acción retardada. Conecte el artefacto con una conexión de tres cables, incluido un cable de conexión a tierra.
- 2 Si se utiliza una toma y otro conector eléctrico, debe ser en una ubicación accesible y adyacente al artefacto, no detrás del lavavajillas, y a una distancia de unos 4 pies (1.2 m) al lado del lavavajillas.
- 3 El cableado debe tener una conexión a tierra adecuada. Si tiene dudas, solicite que lo verifique un electricista calificado. No conecte ningún otro artefacto al mismo tomacorriente.
- 4 Pase el cableado.



- 5 Asegúrese de que el cable eléctrico sea orientado por el canal del lado derecho.

! ADVERTENCIA

- Para su seguridad personal, extraiga el fusible de la vivienda o desconecte el interruptor de corriente antes de la instalación.
- No use un cable de extensión ni un adaptador con este lavavajillas.

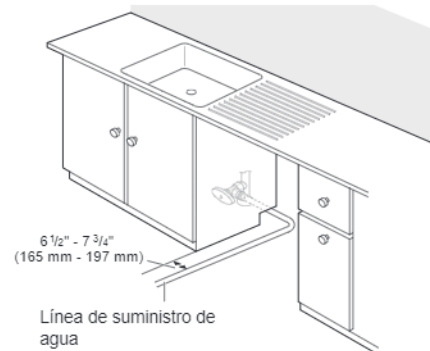
NOTA

- Si encuentra daños en el lavavajillas, comuníquese de inmediato con el vendedor minorista o el contratista.
- Se debe usar la tuerca para cable que se incluye en 16AWG.

Preparación de la conexión para el suministro de agua

Asegúrese de que el suministro de agua de la vivienda esté cerrado antes de conectar las líneas de agua del lavavajillas.

- 1 Conecte el lavavajillas a un suministro de agua caliente con un rango de temperatura entre 120 °F (49 °C) y 149 °F (65 °C). Este rango de temperatura brinda los mejores resultados de lavado y el ciclo más corto. Para evitar daños en la vajilla, la temperatura no debe superar los 149 °F (65 °C).
- 2 Al conectar la línea de suministro de agua del lavavajillas, utilice cinta selladora o un compuesto sellador para roscas de tuberías para evitar fugas. No se debe usar cinta ni compuesto en accesorios de compresión.
- 3 La tubería de suministro de agua se debe ubicar en el canal del lado izquierdo.



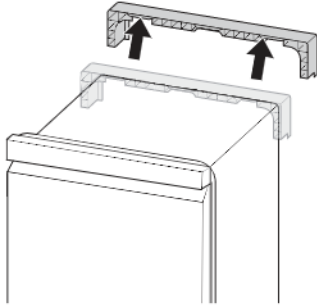
NOTA

- Use mangueras nuevas para la conexión al suministro de agua. No reutilice mangueras viejas.

Preparación del lavavajillas

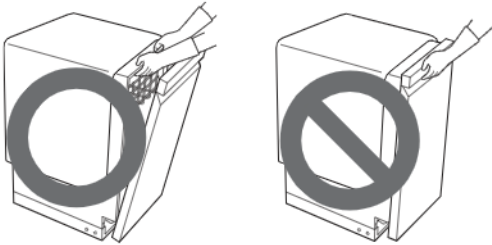
Soporte plástico posterior de embalaje removible

La abrazadera de envío trasera puede ser removida, si es necesario más espacio libre, al instalar el lavaplatos debajo de un mostrador bajo.



NOTA

- No tire ni levante el lavavajillas usando la manija; hacerlo podría dañar la puerta y las bisagras. Abra la puerta y sujete el bastidor del cuerpo del lavavajillas y la abertura superior frontal de la cuba para mover o levantar el lavavajillas.



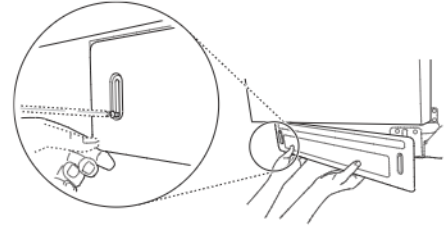
NOTA

- No empuje la puerta del lavavajillas con las rodillas.



Extracción de la cubierta inferior

- 1 Retire los dos tornillos que sujetan la cubierta inferior al lavavajillas.
- 2 Retire la cubierta inferior de la base.
- 3 Extraiga la almohadilla de aislamiento de la parte posterior del panel de acceso.



⚠ PRECAUCIÓN

- Si, en algún momento, el lavavajillas queda apoyado sobre la cara trasera, tenga cuidado de no dañar la manguera de desagüe.

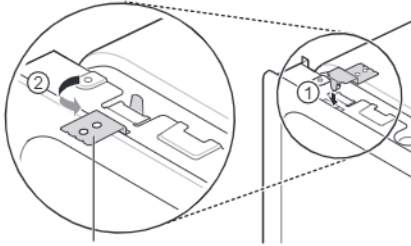
NOTA

- Asegúrese de que se coloque la cubierta inferior en el último paso.

Sujeción del equipo de montaje

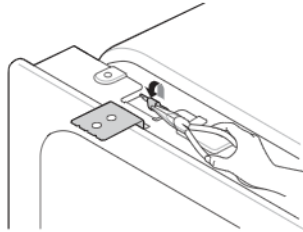
Para mostradores de madera u otro material que no se dañe al taladrar, utilice los soportes de instalación metálicos.

- 1 Inserte los soportes de instalación en las ranuras del bastidor superior.



Soporte de instalación

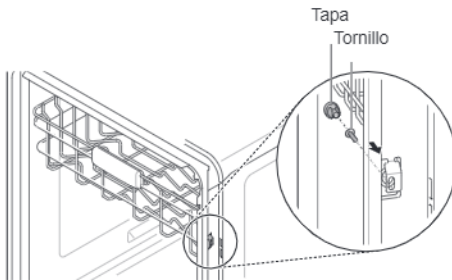
- 2 Doble los soportes para asegurarlos a la cuba del lavavajillas.



NOTA

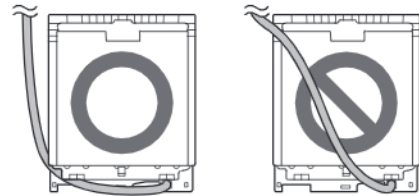
- Los soportes de instalación y los tornillos se pueden encontrar en el cesto para cubiertos.

Para mostradores de granito, mármol u otro material que podría dañarse al taladrar, utilice los tornillos para madera para sujetar el lavavajillas al gabinete. Consulte las instrucciones de instalación en la sección Fijación del lavavajillas al mostrador.

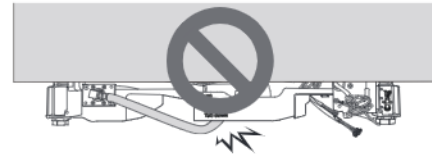


Deslizamiento del lavavajillas en el gabinete

- 1 Deslice el lavavajillas con cuidado hacia el interior de la abertura del gabinete.
- 2 Asegúrese de que la manguera de desagüe que está dentro del gabinete no esté plegada ni presionada.
- 3 Asegúrese de que las mangueras de suministro de agua y el cable de suministro eléctrico pasen por los canales de debajo del lavavajillas.
- 4 Para evitar plegar o presionar la manguera de desagüe, asegúrese de tirar de esta manguera mientras desliza el lavavajillas para colocarlo en su lugar. No permita que la manguera quede floja detrás del lavavajillas.



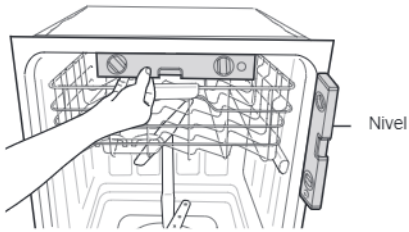
- 5 Después de nivelar el lavavajillas, no deje la línea de suministro de agua ni la línea de suministro eléctrico debajo de la base. Esta es una causa potencial de fugas de agua. Coloque la línea de suministro de agua y la de suministro eléctrico en el canal.



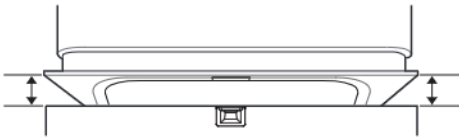
Nivelado del artefacto

Verifique que el lavavajillas se encuentre nivelado.

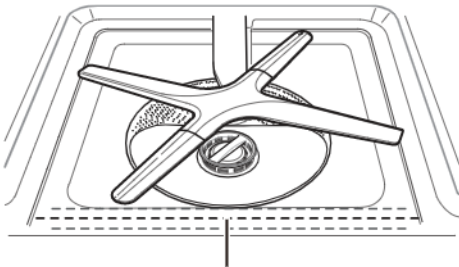
- Sujete un nivel sobre la abertura frontal superior de la cuba de lado a lado.
- Sujete un nivel sobre el lado frontal de la cuba.



Asegúrese de que el espacio entre la puerta y la cuba sea igual en los lados derecho e izquierdo.



Se debe verificar el nivel de agua después del llenado inicial en el ciclo Normal. Si el nivel de agua no está cerca del centro de ambas muescas inferiores de la cuba, es posible que el lavavajillas no esté nivelado correctamente. El lavavajillas puede tener pérdidas durante el funcionamiento si no está correctamente nivelado.

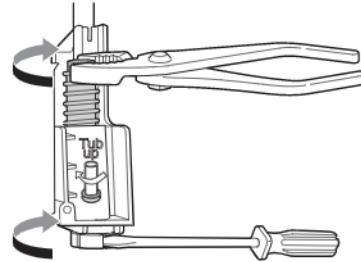


El nivel de agua debe estar cerca del centro de las dos muescas inferiores de la cuba.

Ajuste de las patas

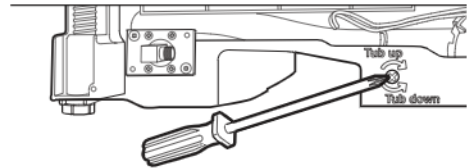
Ajuste de las patas frontales

- Use un destornillador de punta plana o unas pinzas para girar las patas delanteras y ajustar la parte frontal de la cuba.
- Haga girar las patas delanteras en el sentido de las agujas del reloj para levantar la parte frontal de la cuba y en el sentido contrario a las agujas del reloj para bajarla.
- Los ajustes funcionan de la misma forma para ambas patas.



Ajuste de las patas posteriores

- Use un destornillador Phillips para ajustar las patas traseras y la parte posterior de la cuba con el tornillo central de la parte delantera de la base del artefacto.
- Haga girar el tornillo central en el sentido de las agujas del reloj para levantar la parte posterior de la cuba y en el sentido contrario a las agujas del reloj para bajarla.



NOTA

- Para evitar producir daños en el tornillo, no utilice un destornillador eléctrico.

Fijación del lavavajillas al mostrador

Para mostradores de madera u otro material que no sufra daños al taladrarlo, aplique el Método 1.

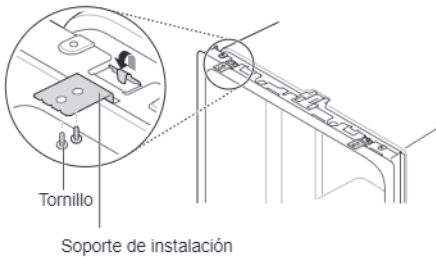
Para mostradores de granito, mármol u otro material que podría dañarse al taladrarlo, aplique el Método 2.

NOTA

- Cubra la boca del filtro con toallas para evitar que los tornillos caigan dentro de la bomba.
- Utilice un destornillador magnético.

Método 1

Con los tornillos incluidos, asegure el lavavajillas al mostrador a través de los orificios del soporte.

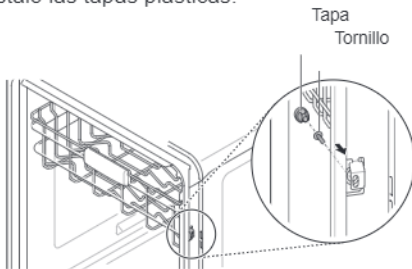


NOTA

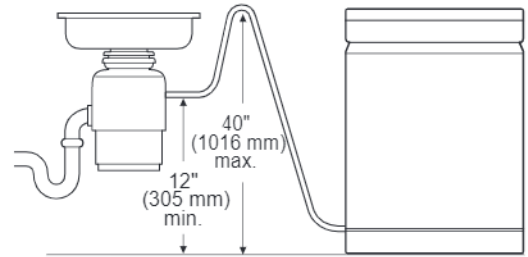
- Los soportes de instalación y los tornillos se pueden encontrar en el cesto para cubiertos. Consulte la sección Sujeción del equipo de montaje para obtener más información sobre la sujeción de los soportes de instalación al lavavajillas.

Método 2

- 1 Retire las tapas plásticas de los orificios de acceso en los soportes de montaje.
- 2 Coloque un tornillo para madera a través del soporte de montaje y hacia el interior del bastidor del gabinete.
- 3 Reinstale las tapas plásticas.

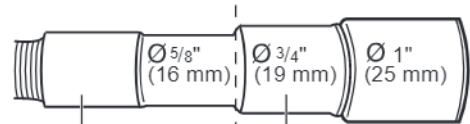


Conexión de la manguera de desagüe



Si el extremo de la manguera de desagüe no se adapta a la línea de desagüe, use un adaptador resistente al calor y al detergente (no está incluido). Este accesorio se puede comprar en una tienda local de artículos de fontanería.

Se muestran las dos conexiones típicas. Para evitar el bombeo, se debe usar una de las siguientes conexiones.



Para conexiones a trampas de aire, corte la manguera de desagüe por la línea punteada

Para conexiones con triturador o pieza en T para desechos

Requisitos de desagüe

- Cumpla los códigos y las ordenanzas locales.
- La distancia al desagüe no debe superar los 12 pies (3.65 m).
- No conecte líneas de desagüe de otros dispositivos a la manguera de desagüe del lavavajillas.
- Si es necesario utilizar una extensión en la manguera de desagüe, use una manguera de diámetro interior de 5/8" o 7/8" y de 2 a 3 pies de longitud y un acople para conectar los dos extremos.



NOTA

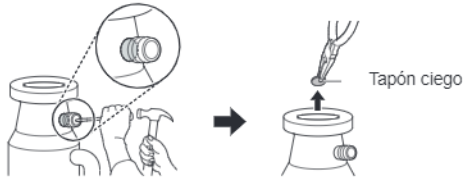
- Para la instalación de la manguera de desagüe, use la abrazadera con tornillo incluida en el cesto para cubiertos de este lavavajillas.

NOTA

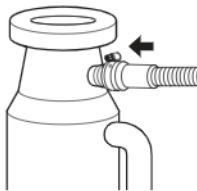
- Si no se ha extraído el tapón ciego, el lavavajillas no podrá desagotar correctamente.

Conexión al triturador sin trampa de aire

- 1 Extraiga el tapón ciego con un martillo y un destornillador.



- 2 Sujete la manguera de desagüe al triturador con la abrazadera para manguera suministrada. Colóquela en la posición correcta y apriete la abrazadera de la manguera.

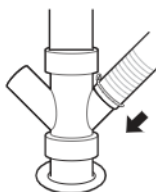


Conexión a la pieza en T para desechos sin trampa de aire

- 1 Extraiga el tapón ciego con un martillo y un destornillador.

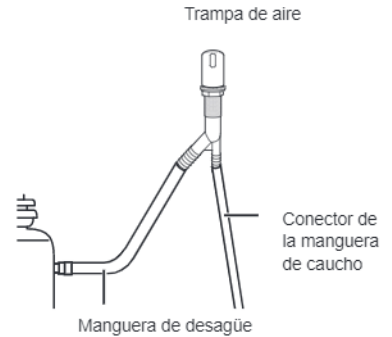


- 2 Sujete la manguera de desagüe a la pieza en T para desechos con la abrazadera para manguera suministrada. Colóquela en la posición correcta y apriete la abrazadera de la manguera.



Conexión al triturador o a la pieza en T para desechos con trampa de aire

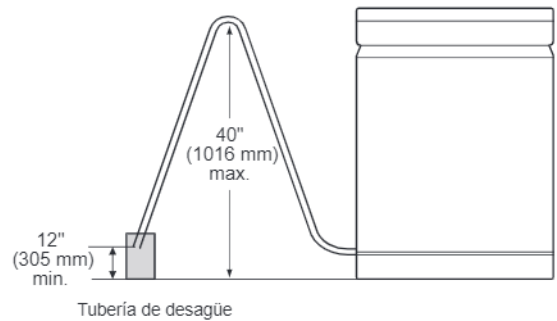
- 1 Extraiga el tapón ciego con un martillo y un destornillador.
- 2 Conecte el extremo de la manguera de desagüe a la trampa de aire empleando la abrazadera para manguera proporcionada. Esto evita que el agua se bombee desde la cuba.



- 3 Sujete el conector de caucho al triturador o a la pieza en T para desechos con la abrazadera para manguera suministrada. Colóquela en la posición correcta y apriete la abrazadera de la manguera.

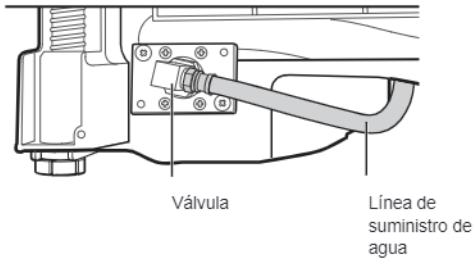
Conexión sin trampa de aire

La altura del extremo de la manguera de desagüe debe ser, como mínimo, de 12" (305 mm) y no debe superar las 40" (1016 mm) desde la base de la unidad para evitar que el agua haga sifón desde la cuba.



Conexión del suministro de agua

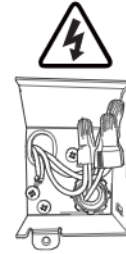
- 1 Antes de conectar, cierre el suministro de agua.
- 2 Deslice la línea de acero inoxidable flexible para suministro de agua o la tubería de cobre dentro del codo.
- 3 Apriete la tuerca de compresión y asegúrese de que la línea no esté plegada ni presionada.



NOTA

- Durante la verificación final de la instalación del lavavajillas, puede aparecer un código de error IE en la pantalla. Asegúrese de que la línea de agua no esté plegada y que el suministro de agua para el lavavajillas se haya abierto antes de llamar para solicitar servicio.

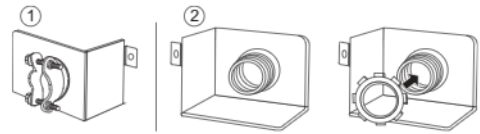
Conexión de la alimentación eléctrica



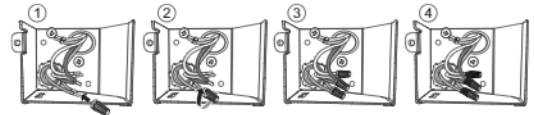
NOTA

- La mejor ubicación para el conducto eléctrico es sobre el lado derecho de la pared posterior. Redirija el cable de alimentación antes de realizar la instalación en caso de que la longitud de la tubería del conducto eléctrico sea mayor a 3" (76 mm) y esté centrada en la pared posterior.

- 1 Antes de comenzar, apague el suministro de energía eléctrica que va a la unidad desde el interruptor de corriente.
- 2 Retire la cubierta de la caja de empalmes y luego instale el aliviador de tensión.



- 3 Enrosque las tuercas para cable firmemente alrededor de los alambres; luego envuelva cada conexión con cinta aislante.



- 4 Verifique una vez más y asegúrese de que todos los cables estén conectados correctamente: negro con negro, blanco con blanco, cable verde de conexión a tierra con cable verde de conexión a tierra.
- 5 Vuelva a colocar la cubierta de la caja de empalmes.

⚠ ADVERTENCIA

- Verifique que el cable negro esté caliente (120 V). De no ser así o si no está seguro de que haya suministro eléctrico, solicite que lo verifique un electricista calificado.

⚠ PRECAUCIÓN

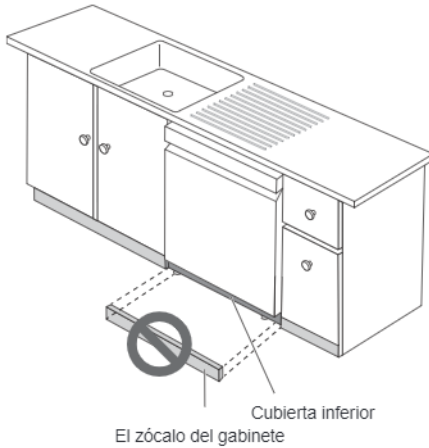
- No deje expuesto ningún cable pelado. Recorte el cable pelado para que quepa completamente dentro de las tuercas para cable.

Verificación final

- 1 Encienda la energía eléctrica.
- 2 Abra el suministro de agua de la vivienda.
- 3 Asegúrese de que la puerta se abra y se cierre sin problemas. De ser necesario, vuelva a nivelar el lavavajillas.
- 4 Haga funcionar el lavavajillas en un ciclo Turbo para verificar el funcionamiento correcto y detectar fugas.

PRECAUCIÓN

- Solo instale la cubierta inferior suministrada con la máquina. No instale el zócalo del gabinete ya que esto podría ocasionar ruidos y fugas.



Código de error	Causa posible y solución
Error OE	<p>Manguera de desagüe obstruida o plegada.</p> <p>Llene las mangueras de desagüe y suministro a través del orificio bajo el fregadero. Gradualmente, deslice el lavavajillas dentro del gabinete mientras tira de las mangueras por debajo del fregadero para tensarlas. Esto sirve para evitar que las mangueras queden plegadas o presionadas detrás del lavavajillas.</p>
	<p>Manguera de desagüe conectada al triturador.</p> <p>Extraiga el tapón ciego del triturador.</p>
	<p>La pieza en T para desechos está obstruida.</p> <p>Extraiga el tapón ciego de la pieza en T para desechos.</p>
Error IE	<p>La línea de suministro de agua está plegada debajo del lavavajillas.</p> <p>Llene las mangueras de desagüe y suministro a través del orificio bajo el fregadero. Gradualmente, deslice el lavavajillas dentro del gabinete mientras tira de las mangueras por debajo del fregadero para tensarlas. Esto sirve para evitar que las mangueras queden plegadas o presionadas detrás del lavavajillas.</p>
	<p>El suministro de agua del hogar está cerrado.</p> <p>Abra el paso del agua.</p>

FUNCIONAMIENTO

Uso del artefacto

Antes de usar el artefacto

- Lea las Instrucciones importantes de seguridad.
- Conecte al suministro de agua caliente solamente. La temperatura del suministro de agua debería ser de un mínimo de 120 °F (49 °C) para un mejor lavado y una duración más breve del ciclo.
- Siga las instrucciones para cargar el lavavajillas para asegurar una limpieza eficaz.
- Quite los elementos insolubles como huesos, palillos y pedazos de papel cuando cargue el lavavajillas.

Cuando cargue el lavavajillas

- 1 Cargue solo objetos que sean aptos para lavavajillas.
- 2 Retire los restos sólidos o quemados de la vajilla antes de cargarla en el lavavajillas.
- 3 Coloque los objetos más profundos en un ángulo para ayudar a que corra el agua y para contribuir con la velocidad del proceso de secado.

NOTA

- No cargue utensilios que no sean resistentes al calor o que tengan decoraciones en metal.

Comienzo rápido

1 Cargue la vajilla

Raspe la vajilla para retirar excesos de alimentos, huesos y cualquier otro residuo sólido insoluble. Tire de cada bandeja y cargue la vajilla según se describe en este manual.

2 Mida el detergente

Use las pautas de este manual, llene el recipiente para detergente con la cantidad recomendada y cierre la tapa. Si desea prelavado, también debe llenar con detergente el hueco sobre la tapa.

3 Cierre la puerta

4 Encienda el lavavajillas

Para encender el panel de la pantalla, presione el botón **Power**.

5 Verifique el abrillantador

La luz indicadora **Rinse Aid**  parpadeará si el nivel de abrillantador del lavavajillas es bajo. Agregue abrillantador si el nivel es bajo para mantener la efectividad del ciclo de secado.

6 Seleccione el ciclo y las opciones

Seleccione el ciclo y las opciones que mejor se adapten a la carga. Para ello, consulte la Guía de ciclos. La pantalla mostrará el tiempo estimado para el ciclo y las opciones seleccionados.

7 Operación del lavavajillas

Método 1

- Presione el botón de Inicio y luego cierre la puerta antes de que transcurran cuatro segundos para operar el lavavajillas. Si la puerta no se cierra dentro de los cuatro segundos, la luz LED blanca con la hora parpadea, suena una alarma y el ciclo no se inicia.

Método 2

- Cierre la puerta primero y luego presione el botón de Inicio para hacer funcionar el lavavajillas.

Si se abre la puerta durante el ciclo, el lavavajillas se detendrá. Para reanudar el ciclo, consulte los métodos 1 y 2 mencionados anteriormente.

NOTA

- Si se abre la puerta durante el ciclo y no se cierra dentro de los cuatro segundos de haber seleccionado el botón de Inicio, o si se cierra la puerta sin presionar el botón de Inicio, la luz LED blanca con la hora parpadea, suena una alarma y el ciclo no se inicia.

8 Fin de ciclo

Cuando el ciclo haya finalizado, se emitirá un sonido y la pantalla mostrará **End** hasta que se abra la puerta o hasta que se presione **Power**. A fin de ahorrar energía, mantenga presionado **High Temp** durante 3 segundos para configurar que la visualización de End en la pantalla se apague pocos minutos después de que finalice el ciclo.

PRECAUCIÓN

- No abra la puerta durante la operación ni inmediatamente después de que se haya completado el ciclo de lavado, ya que la acumulación de vapor puede ocasionar quemaduras cuando se abra la puerta.

NOTA

- Vacíe primero la bandeja inferior y luego la bandeja superior. Esto evitará que el agua de la bandeja superior caiga sobre la vajilla de la bandeja inferior.

Apagado automático

El lavavajillas se apaga automáticamente luego de cuatro minutos de inactividad en caso de que se lo pause o si no se inicia un ciclo.

Panel de control



1 Power (Encendido)

- Presione el botón **Power** para encender y apagar el artefacto.
- Después de completar el ciclo, la energía se apaga automáticamente por seguridad y economía.
- Si se produce una sobrecarga eléctrica, un apagón o una interrupción del suministro eléctrico de cualquier clase, la energía se apaga de manera automática por cuestiones de seguridad.
- Cuando se vuelve a conectar la electricidad, el artefacto se enciende automáticamente y el ciclo se reanuda.

2 Pantalla

- : Icono del abrillantador
 - Este icono se ilumina cuando el nivel de abrillantador es bajo. La luz LED se apaga automáticamente cuando se vuelve a llenar el compartimiento de abrillantador o el nivel se configura en 0.
 - Refiérase a la sección de Ajuste de Dispensador de Asistencia de Enjuague.

• : Pantalla digital

- La pantalla digital del panel de control muestra el tiempo ESTIMADO del ciclo. Cuando se seleccionan el ciclo y las opciones, la pantalla muestra el tiempo estimativo total para completar dichas selecciones. Durante el funcionamiento, la pantalla muestra el tiempo de funcionamiento estimativo restante.

NOTA

- El tiempo estimado en pantalla no incluye los tiempos de retraso para calentar agua, etc.
- Si se selecciona **Delay Start**, la pantalla muestra el tiempo de retraso en horas.
- El tiempo del ciclo podría variar según el nivel de suciedad de su carga.

• : Bloqueo de control

- La función de Bloqueo de control ayuda a evitar que se cambien los ajustes durante un ciclo. La selección de esta función bloquea todos los botones, excepto el botón **Power** del panel de control. Esta función no bloquea la puerta.
- Mientras un ciclo está activo, mantenga presionados **Half Load** y **Energy Saver** de forma simultánea por tres segundos para activar o desactivar Cerradura de Control.
- Para comenzar un nuevo ciclo, desactive el Bloqueo de control.

• : Wi-Fi (para modelos con Wi-Fi)

- Cuando el artefacto está conectado a Internet a través de una red Wi-Fi doméstica, este icono se ilumina.
- Mantenga presionado **Delay Start** durante aproximadamente 3 segundos para conectar a la red.

3 Cancel (Cancelar)

- La bomba de desagüe se activa y se cancela el ciclo. Después de que se termina de desagotar el lavavajillas, se apaga la electricidad.
- Mantenga presionado el botón **Start** durante tres segundos para activarla.

4 Start (Inicio)

- Para operar la máquina puede presionar **Start** y cerrar la puerta antes de que transcurran cuatro segundos o cerrar la puerta y presionar **Start**.
- Si el botón **Start** no es presionado para iniciar el ciclo, sonará una alerta.

Chime On/Off (Alarma encendida/apagada)

- Para activar o desactivar los sonidos de los botones, presione el botón **Half Load** durante tres segundos. El sonido de alerta de error no pueden apagarse.

Ciclos

Seleccione el ciclo que desee.

Auto (Automático)

Este ciclo detecta el tamaño de la carga, la cantidad de suciedad y la dificultad de la suciedad y se optimiza para lograr la mejor limpieza.

Heavy (Pesado)

Este ciclo se utiliza para lavar vajilla con mucha suciedad y con residuos endurecidos. El ciclo Heavy está predeterminado para funcionar con la intensidad de aspersión más elevada y se utiliza para lavar vajilla muy sucia.

Delicate (Delicado)

Use este ciclo para limpiar elementos delicados, como por ejemplo porcelana fina y copas.

Normal (Normal)

Este ciclo es para suciedad moderada, cargas de todos los días. Seleccione la opción **Night Dry** si deja la vajilla en el lavavajillas toda la noche. Mantenga presionado **Extra Dry** durante 3 segundos para activar el secado nocturno.

- Después de finalizado el ciclo, el ventilador trabaja por una hora para ayudar a ventilar el aire caliente y húmedo de la cuba. Puede detener el ventilador abriendo la puerta luego de que el ciclo haya finalizado.

Turbo (Turbo)

Este ciclo limpiará platos profundamente sucios en una hora usando un poco más de energía y agua.

- Este ciclo no tiene secado. Seleccione **Extra Dry** y la opción **Night Dry** u otro ciclo para un mejor secado.

Download Cycle (Descarga de ciclo)

Use un ciclo dedicado que se puede descargar mediante Wi-Fi o NFC.

NOTA

- Únicamente el código de ciclo para el ciclo de Descarga en curso aparece en el electrodoméstico. Consulte la aplicación del teléfono inteligente para encontrar códigos, nombres, y más información acerca de los ciclos disponibles.

- Ciclo por defecto: P1. Caserolas.

Machine Clean (Limpieza de la máquina)



Este ciclo es para limpiar el interior del lavavajillas. Utilice este ciclo sin colocar vajilla en la máquina. Elimina la suciedad residual, los olores, las manchas blancas y otra suciedad. Agregue ácido cítrico u otro agente limpiador para obtener resultados más efectivos.

- Mantenga presionado el botón **Heavy** durante tres segundos para activarlo.

NOTA

- El ícono **Machine Clean**  parpadea cada 30 ciclos. Para activar o desactivar el ícono, presione el botón de **Delicate** durante tres segundos.

Rinse (Enjuague)

Este es un ciclo rápido para la vajilla que no se lavará de inmediato. Este ciclo enjuaga la vajilla que tiene suciedad en exceso para ablandar los residuos secos. Enjuagar la vajilla evita la aparición de olores en el lavavajillas. No debe utilizarse detergente.

- Este ciclo no tiene secado.
- Mantenga presionado el botón **Normal** durante tres segundos para activarlo.

Express (Exprés)

Este ciclo limpiará rápidamente platos levemente sucios. (Tiempo: 33 minutos)

- Este ciclo no tiene secado. Seleccione **Extra Dry** y la opción **Night Dry** u otro ciclo para un mejor secado.
- Mantenga presionado el botón **Turbo** durante tres segundos para activarlo.



Opciones

Seleccione el botón del ciclo deseado y luego seleccione las opciones para ese ciclo.

Dual Zone (Zona dual)

Esta opción automáticamente configura una intensidad de aspersión suave en el brazo rociador superior y fuerte en el brazo rociador inferior. Coloque la vajilla muy sucia, como platos y tazones, en la bandeja inferior y la vajilla con poca suciedad, como tazas y platillos, en la bandeja superior para obtener los mejores resultados.

Half Load (Media carga)

Esta opción lava intensamente al seleccionar la bandeja superior o inferior. Para cargas pequeñas, use solo la bandeja superior o la inferior para ahorrar energía y tiempo. Si presiona el botón **Half Load**, dispone de las configuraciones ,  y de la posibilidad de cancelar la opción de Media carga.

Energy Saver (Ahorro de energía)

Esta opción ahorra energía al reducir las temperaturas de lavado y enjuague. Se incrementa el tiempo de lavado para mantener el rendimiento. No utilice este ciclo con vajilla muy sucia.

High Temp (Alta temperatura)

Eleva la temperatura de lavado principal para mejorar la limpieza.

Extra Dry (Extra seco)

Seleccione la opción **Extra Dry** para un mejor desempeño de secado. Esta opción agrega tiempo de secado extra al ciclo e incrementa la temperatura de enjuague caliente.

- Cuando la asistencia de enjuague está vacante, la opción **Extra Dry** es seleccionada automáticamente.

Night Dry (Secado nocturno)

A menudo, los platos quedan en el lavavajillas durante toda la noche una vez que finaliza el ciclo. Esto puede provocar que el vapor dentro de la cuba se condense sobre la vajilla y la deje húmeda. La opción de Secado nocturno hace que el ventilador funcione periódicamente para ayudar a ventilar el vapor de la cuba.

- Mantenga presionado el botón **Extra Dry** durante tres segundos para activarla.
- La opción **Night Dry** es seleccionada por defecto en todos los ciclos donde esté disponible, a excepción del ciclo Normal.

Delay Start (Inicio retardado)

La función Delay Start retarda el inicio de un ciclo seleccionado. Cada vez que presione el botón **Delay Start**, el tiempo de retardo aumenta en una hora. Es posible configurar el tiempo de retardo entre 1 y 12 horas, en incrementos de una hora.

Guía de ciclos y opciones

La guía de ciclos a continuación muestra las opciones disponibles para cada ciclo.

Ciclo	Auto (Automático)	Heavy (Pesado)	Delicate (Delicado)	Normal (Normal)	Turbo (Turbo)	Express (Exprés)	Rinse (Enjuague)	Machine Clean (Limpieza de la máquina)
Nivel de suciedad	todos los niveles	alto	bajo	todos los niveles	alto	bajo	bajo	
*Uso de agua	13.1-21.1 l	26.9 l	19.7 l	9.2-19.5 l	27.5 l	20.4 l	6.8 l	12.3 l
	3.4-5.6 gal	7.1 gal	5.2 gal	2.4-5.2 gal	7.3 gal	5.4 gal	1.8 gal	3.2 gal
**Tiempo de Lavado con Opciones (Mins.)	90 - 210	138 - 214	94 - 133	97 - 190	58 - 121	32 - 103	12	82
Opciones disponibles	Dual Zone (Zona dual)	<input type="radio"/>	<input type="radio"/>	<input type="radio"/>	<input type="radio"/>	<input type="radio"/>		
	Half Load (Media carga)	<input type="radio"/>	<input type="radio"/>	<input type="radio"/>	<input type="radio"/>			
	***Energy Saver (Ahorro de energía)	<input type="radio"/>		<input type="radio"/>	<input type="radio"/>			
	High Temp (Alta temperatura)	<input type="radio"/>	<input type="radio"/>		<input type="radio"/>	<input type="radio"/>	<input type="radio"/>	
	Extra Dry (Extra seco)	<input type="radio"/>	<input type="radio"/>	△	<input type="radio"/>	<input type="radio"/>	<input type="radio"/>	
	Night Dry (Secado nocturno)	<input type="checkbox"/>	<input type="checkbox"/>	<input type="checkbox"/>	<input type="radio"/>	<input type="checkbox"/>	<input type="checkbox"/>	
	Delay Start (Inicio retardado)	<input type="radio"/>	<input type="radio"/>	<input type="radio"/>	<input type="radio"/>	<input type="radio"/>	<input type="radio"/>	<input type="radio"/>

* El consumo real de agua variará según el nivel de suciedad y la dureza del agua.

** El tiempo actual de ejecución y el tiempo de ciclo mostrado pueden cambiar dependiendo de las opciones seleccionadas, nivel del suelo, temperatura y dureza del agua. Por lo tanto, el tiempo mostrado y el de ejecución actual podrían diferir.

*** El Ahorro de energía no puede utilizarse en simultáneo con las opciones de Extra seco o Alta temperatura.

△ : Tiempo de secado adicional solamente, sin agregado de enjuague de alta temperatura.

☐ : ENCENDIDO por defecto.

NOTA

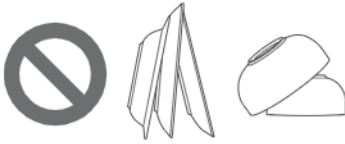
- No hay opciones disponibles para el Ciclo de descarga.

Carga del lavavajillas

La cuba extra alta permite la carga de platos, sartenes u otros utensilios de hasta 14" de alto.

Para un rendimiento de lavado efectivo, siga siempre las siguientes instrucciones.

- Retire las partículas grandes de restos de comida de los platos, incluidos huesos, etc., antes de cargar el artefacto.
- Las piezas con comida quemada deben remojar antes de ser cargados en el lavavajillas.
- Los platos o recipientes profundos deben colocarse invertidos.
- Asegúrese de que las piezas de la vajilla no se toquen entre sí.



Objetos no adecuados para el lavavajillas

La combinación de agua a altas temperaturas y de detergentes para lavavajillas puede dañar ciertos objetos. No lave los siguientes objetos en el lavavajillas:

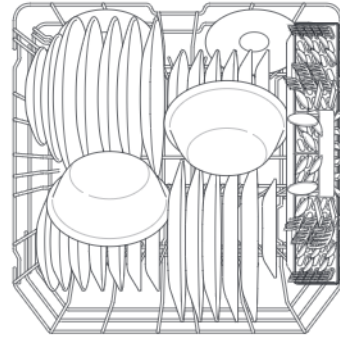
- Cobre o aluminio anodizado
- Vajilla pintada a mano con oro o plata
- Utensilios con mangos de madera o hueso
- Utensilios de hierro o de material que pueda oxidarse
- Objetos de plástico que no sean aptos para lavavajillas
- Vajilla costosa, como platería o loza con bordes dorados
- Piezas frágiles como, por ejemplo, copas de cristal

PRECAUCIÓN

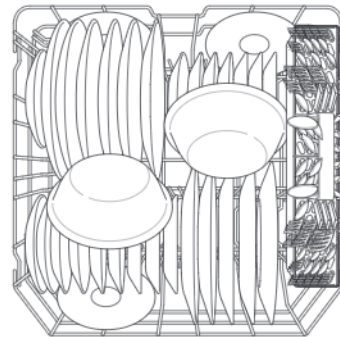
- No coloque ollas y sartenes con manijas plásticas en el artefacto ya que las manijas pueden deteriorarse debido al calor y al detergente.
- Puede que no se quiten de los vasos las manchas de lápiz labial de larga duración o a prueba de agua.

Carga en la bandeja inferior

Carga de 10 posiciones



Carga de 12 posiciones



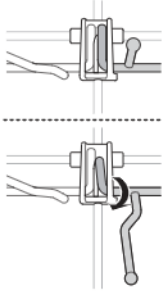
Sugerencias de carga para la bandeja inferior:

- Las bandejas deben colocarse en posición vertical y enfrentando al centro de la bandeja y las ollas, sartenes y la vajilla de gran tamaño debe colocarse invertida.
- Cargue bandejas de cena, platos, tazones de sopa, recipientes, etc., entre las puntas separadoras.
- Cargue placas para hornear, moldes de pasteles y otros objetos grandes en los laterales o la parte posterior de la bandeja. Si carga estos objetos en la parte frontal del lavavajillas, impedirán que el agua por aspersión llegue al dispensador de detergente.
- Asegúrese de que las manijas de las ollas y otros objetos grandes no detengan la rotación de los brazos rociadores.
- La bandeja inferior no se debe usar para objetos pequeños como tazas, vasos de vino o platos pequeños. Estos objetos se deben cargar en la bandeja superior.
- Asegúrese de que los objetos grandes no interfieran con la rotación de los brazos rociadores y que no impidan que el dispensador de detergente se abra.

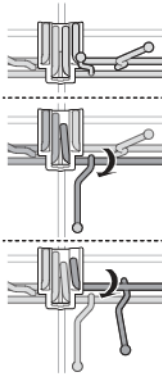
Plegado de las puntas separadoras inferiores

Pliegue las puntas separadoras hacia abajo para acomodar la vajilla más grande; despliegue las puntas separadoras hacia arriba para acomodar la vajilla más pequeña.

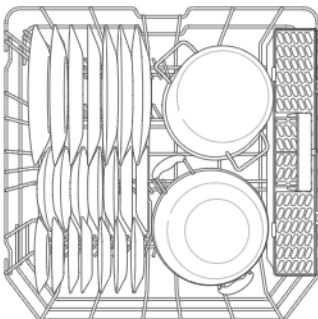
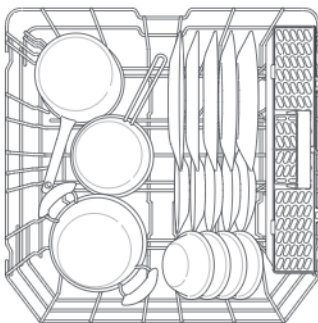
Caso 1



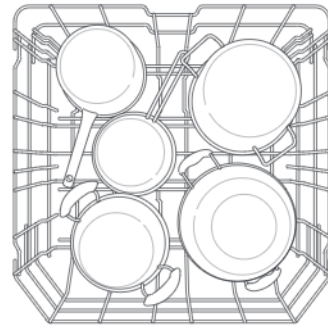
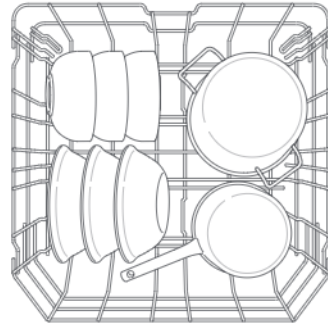
Caso 2



Carga de platos y ollas

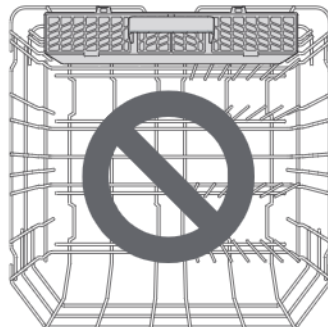
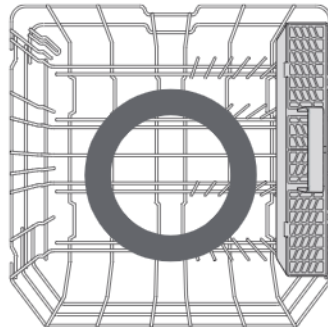


Carga de ollas y tazones



NOTA

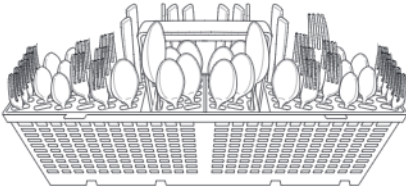
- El cesto para cubiertos se encuentra instalado en la parte posterior del estante del fondo. Para un mejor desempeño, instálelo a lo largo del lado derecho, como se muestra en la figura.



Carga en el cesto para cubiertos

El cesto de cubiertos cuenta con separadores para evitar que se raspen y manchen los cubiertos delicados.

Carga de 10 posiciones



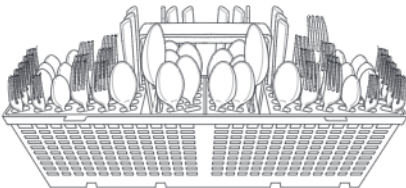
Sugerencias para la carga de cubiertos:

- Para obtener mejores resultados de limpieza, utilice los separadores superiores del cesto cuando cargue los cubiertos. Los separadores evitan que los cubiertos se amontonen.
- Cargue los objetos filosos, como por ejemplo los cuchillos, apuntando hacia abajo.
- Cuando se descarga el lavavajillas, lo mejor es comenzar por el cesto de cubiertos. Esto evitará que caigan gotas de agua sobre los cubiertos desde la bandeja superior.

! ADVERTENCIA

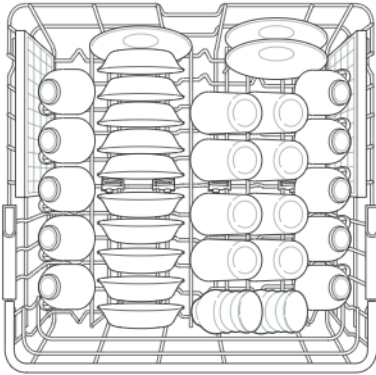
- Tenga cuidado al cargar y descargar objetos filosos. Cargue los cuchillos filosos con los mangos hacia arriba para disminuir el riesgo de lesiones personales.

Carga de 12 posiciones

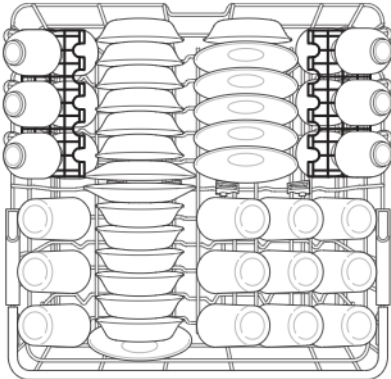


Carga en la bandeja superior

Carga de 10 posiciones



Carga de 12 posiciones

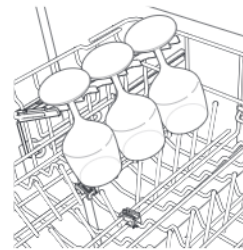


Sugerencias de carga para la bandeja superior:

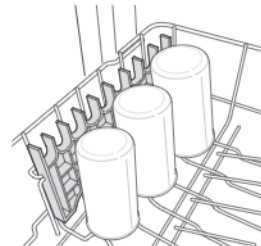
- Coloque las tazas y los vasos en las filas entre las puntas separadoras. Colocarlos sobre las puntas separadoras puede ocasionar quebraduras y/o manchas de agua.
- Para evitar que se astillen, no permita que tengan contacto con otros objetos.
- Ubique los elementos de manera que los extremos abiertos queden orientados hacia abajo para facilitar su limpieza y secado.
- No apile los objetos.
- Se recomienda utilizar la bandeja superior para platos pequeños, tazas, platillos, vasos y objetos de plástico aptos para lavavajillas.
- Las tazas, los vasos y los tazones se deben orientar hacia abajo.
- Otras tazas o utensilios de cocina se pueden colocar en las bandejas plegables para tazas, que también se adaptan a copas.
- Asegúrese de que los objetos no interfieran con la rotación de los brazos rociadores por arriba y por debajo de la bandeja superior.
- Al cargar objetos grandes en la bandeja superior, como vasos de vino o tazas altas, podría ser necesario extraer la bandeja para cubiertos en caso de que la hubiera.

Carga del porta copas (en algunos modelos)

Algunos modelos cuentan con bandejas para tazas donde pueden colocarse copas.



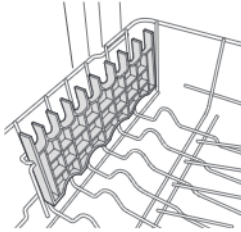
Las bandejas para tazas pueden plegarse hacia arriba para dejar espacio para copas o vasos altos.



Retiro y colocación de los estantes para tazas (en algunos modelos)

Los estantes para tazas izquierdo y derecho son intercambiables y pueden extraerse.

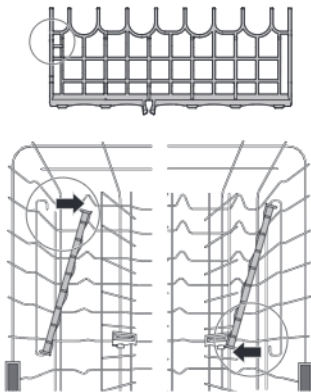
- 1 Deslice el estante para tazas hacia abajo, hasta la posición de cerrado.



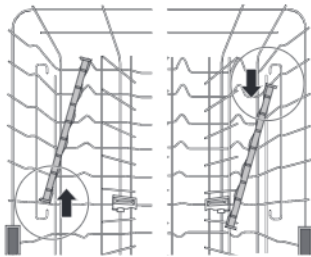
- 2 Ubique la ranura del ensamblaje del estante para tazas y con firmeza haga salir la barra de soporte de ese lado.

- El estante de la izquierda se libera en la parte de atrás. El estante de la derecha se libera en la parte de adelante.

Ranura del ensamblaje



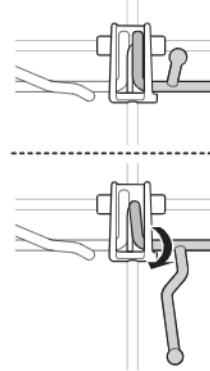
- 3 Deslice el estante para tazas quitándolo de la barra de soporte del lado opuesto.



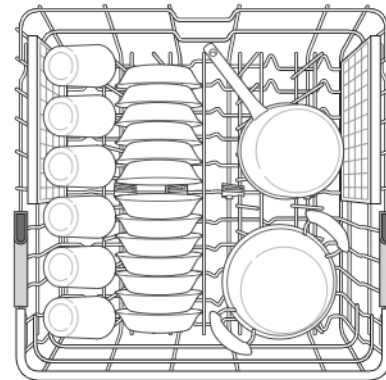
- 4 Invierta las instrucciones para volver a colocar el estante para tazas.

Plegado de las puntas separadoras superiores

Plegue las puntas separadoras hacia abajo para acomodar la vajilla más grande; despliegue las puntas separadoras hacia arriba para acomodar la vajilla más pequeña.



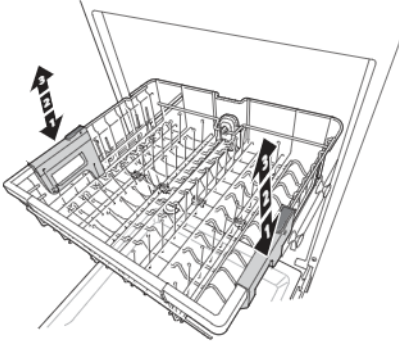
Carga de platos y ollas



Bandeja superior con altura ajustable

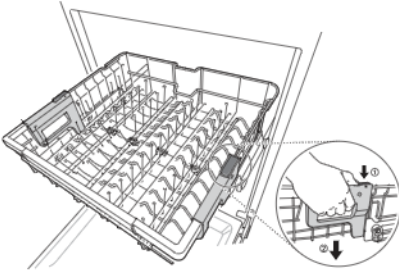
La bandeja superior se ajusta hacia arriba y hacia abajo. Suba la bandeja superior para dar lugar a objetos de hasta 14" de altura en la bandeja inferior. Baje la bandeja superior para dar lugar a objetos de hasta 12" de altura en la bandeja superior. El lavavajillas se envía con la bandeja superior subida.

Existen tres posiciones disponibles para ajustar la altura de la bandeja superior a fin de crear más espacio.



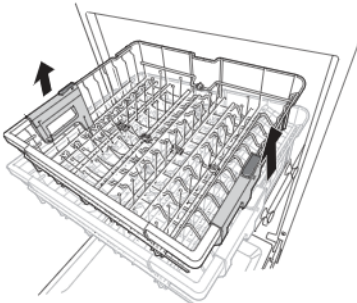
Para bajar la bandeja:

Sostenga la bandeja del centro de cada lado para soportar su peso. Luego, presione el botón de cada lado para soltar la bandeja y bájela hasta la posición inferior.



Para subir la bandeja:

Levante la bandeja del centro de cada lado hasta que la bandeja se trabe en la posición superior. No es necesario levantar las palancas de bloqueo para subir la bandeja.

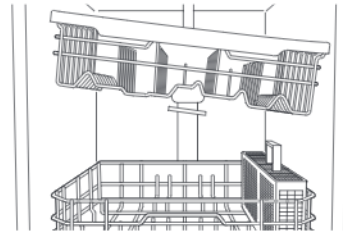


⚠ ADVERTENCIA

- Antes de ajustar, asegúrese de que el estante no contenga vajilla de ningún tipo. De lo contrario, los platos pueden dañarse o usted puede sufrir lesiones.

NOTA

- Antes de empujar la bandeja superior en el lavavajillas, asegúrese de que la altura de la bandeja sea la misma en ambos lados. Si la altura no es la misma en ambos lados, la puerta del lavavajillas no cerrará y el brazo rociador superior no se conectará con la entrada de agua.
- Levante el estante superior sin presionar los botones ubicados a cada lado. Si presiona los botones cuando levanta el estante, no permitirá que el estante quede fijo en su posición.
- Para ubicar el estante en la posición media, puede resultar más fácil llevarlo por completo hasta abajo y luego levantar cada lado de este individualmente hasta que hagan clic en el lugar.



- Hay un incremento de 24 5/8 pulgadas (56 mm) en la altura disponible cuando el estante superior se coloca en la posición más baja.
- Luego de ajustar los niveles de las bandejas, verifique que los brazos rociadores no estén impedidos de rotar.
- Con la bandeja superior en la posición inferior, compruebe que la parte inferior de la bandeja superior, que incluye el brazo rociador, no estorbe los objetos que se encuentren en la bandeja inferior.
- Cuando la bandeja superior se encuentre en la posición inferior, empuje hacia adentro la bandeja superior primero y la bandeja inferior después.
- Tire de la bandeja inferior primero y de la bandeja superior después.
- Levante el estante superior sin presionar los botones ubicados a cada lado. Si presiona los botones cuando levanta el estante, no permitirá que el estante quede fijo en su posición.
- Para ubicar el estante en la posición media, puede resultar más fácil llevarlo por completo hasta abajo y luego levantar cada lado de este individualmente hasta que hagan clic en el lugar.

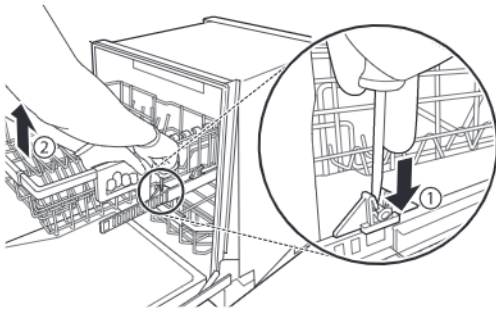
Removiendo el Estante de Encaje Deslizable Superior

Estas instrucciones son más para modelos con estantes encajables que para estantes de soportes con ruedas.

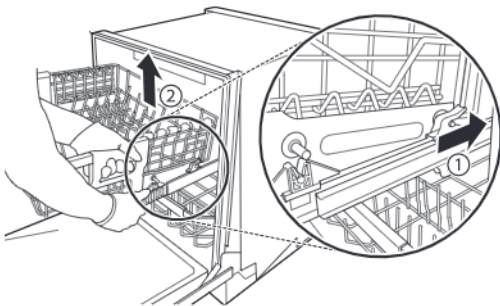
PRECAUCIÓN

- El estante superior encajable debe ser removido únicamente para servicio. Si desea removerlo utilice guantes y maneje el destornillador con precaución para evitar lesiones personales o daños a la lavadora de platos.

- 1 Jale el estante superior hasta que se detenga. Remueva cualquier contenido en él.
- 2 Para remover los soportes delanteros del estante de los rieles, abra los ganchos delanteros con un destornillador de punta plana mientras levanta el frente del estante para desencajar los soportes delanteros de los ganchos. Repita para desencajar los soportes delanteros en el lado opuesto.



- 3 Para remover los soportes traseros del estante de los rieles, sostenga un riel lateral con una mano, levante el frente del estante, y empújelo de nuevo firmemente para desencajar el soporte de los ganchos en la parte trasera. Repita en el lado opuesto.



- 4 Para remplazar el estante, coloque los soportes del estante trasero detrás de los ganchos laterales y empújelo hacia adelante para cazar los soportes en los ganchos. Luego alinee los soportes del estante delantero con los ganchos delanteros y empuje la parte frontal del estante hacia abajo para cazar los soportes con los ganchos.

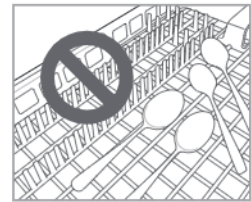
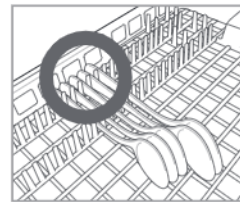
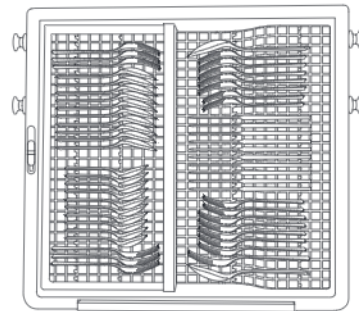
Carga del estante de cubiertos (en algunos modelos)

La bandeja para cubiertos es la más adecuada para la cubertería y para la mayoría de los utensilios de cocina. También puede alojar tazones pequeños y tapas. Los separadores de las bandejas de cubiertos ayudan a mantener la cubertería separada a fin de evitar daños y mejorar la limpieza.

NOTA

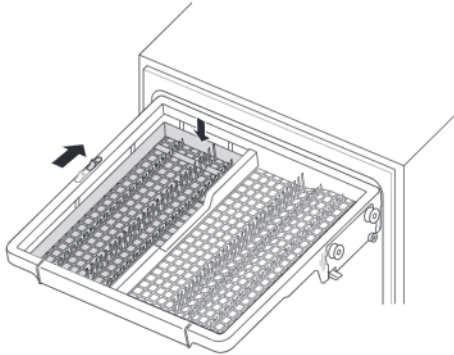
- Para un mejor rendimiento de limpieza, coloque la cubertería en los cestos para cubiertos. Los utensilios más sucios o los elementos con comidas quemadas deben ubicarse en el medio de la bandeja o en el cesto para cucharas para lograr un mejor rendimiento.

Carga de 10 posiciones



Bandeja de altura ajustable (en algunos modelos)

La bandeja del lado izquierdo puede ajustarse en una posición alta o baja para acomodar utensilios o cubiertos de diferentes tamaños. Retire la vajilla antes de ajustar la bandeja. Ajuste la bandeja deslizando la palanca.

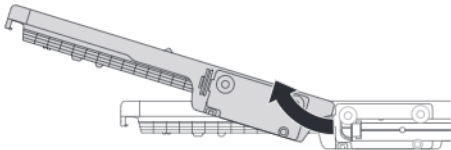


Extracción de la bandeja para cubiertos

La bandeja para cubiertos puede extraerse por completo en caso de necesitar más espacio en la bandeja superior para objetos más grandes.

Retire siempre la cubertería de la bandeja antes de extraer dicha bandeja.

Tire de la bandeja hacia fuera hasta llegar al extremo de los rieles. Luego, levante la parte frontal de la bandeja para que los rodillos se destraben del extremo del riel. Deslice la bandeja hacia adelante y extráigala de los rieles.



ADVERTENCIA

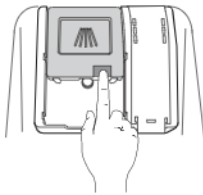
- Tenga cuidado al cargar y descargar objetos con bordes filosos. Cargue los cuchillos filosos con la hoja hacia abajo para disminuir el riesgo de lesiones personales.

Agregado de agentes de limpieza

Cómo agregar detergente en el dispensador

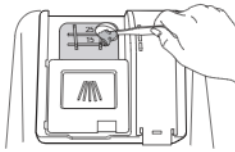
- Retire la etiqueta del dispensador antes de hacer funcionar el lavavajillas por primera vez.
- La cantidad de detergente necesario depende del ciclo, el tamaño de la carga y el nivel de suciedad de la vajilla.
- Ponga el detergente en el compartimiento para detergente antes de comenzar cualquier ciclo, salvo para el ciclo de Enjuague.

1 Presione el botón de la tapa dispensadora para abrir la cubierta.

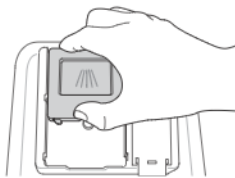


2 Agregue detergente para lavavajillas en el compartimiento principal hasta que el nivel se encuentre entre las líneas marcadas en 15 y 25.

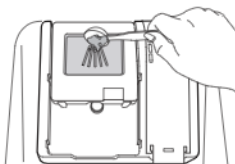
- Llénelo hasta por encima de la línea 25 en caso de agua dura o cargas con suciedad extrema.
- Llénelo hasta la línea 15 en caso de agua blanda o cargas con poca suciedad.



3 Empuje la tapa de detergente para que se cierre, deslizándola hasta que haga un clic en el lugar.



4 Si desea efectuar un prelavado, llene con detergente el área del compartimiento de prelavado que hay en la tapa.



⚠ ADVERTENCIA

- El detergente y el abrillantador para lavavajillas contienen componentes químicos, como todos los detergentes de uso doméstico. Por lo tanto, deben mantenerse fuera del alcance de los niños.

⚠ PRECAUCIÓN

- Solamente utilice detergente especial para lavavajillas. El detergente incorrecto podría hacer que el lavavajillas presente espumación durante el funcionamiento. La espumación excesiva podría reducir el rendimiento de lavado y generar fugas en el lavavajillas.
- No utilice abrillantador líquido si está usando tabletas de detergente que ya incluyen abrillantador.

NOTA

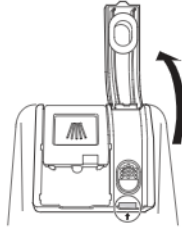
- Una vez que finalice el programa de lavado, compruebe que el detergente se haya utilizado por completo.
- Algunas pastillas de detergente pueden quedarse atascadas en el dispensador debido a su tamaño excesivo. Las tabletas pueden colocarse sobre la base de la cuba de lavado, junto al filtro, antes de iniciar el ciclo.
- El exceso de detergente puede dejar una película en la vajilla y en el lavavajillas, lo que resulta en un mal lavado.
- Si se utilizan pastillas de detergente sin abrillantador líquido, la vajilla y el interior del lavavajillas tendrán una humedad excesiva. Seleccione la opción **Extra Dry** para un mejor resultado del secado.
- El uso de abrillantador líquido mejora el resultado del secado al permitir que el agua se desagote por completo de la vajilla después del enjuague final.
- No use tabletas de detergente para ciclos de lavado más cortos. La tableta podría no disolverse por completo, lo que dejaría residuos en la vajilla y la limpieza sería ineficiente.
- El uso de un impulsor de lavado ayuda a remover manchas, residuos y la película blanca causada por el agua dura. No ayuda a remover el residuo del exceso de detergente.

Cómo agregar abrillantador en el dispensador

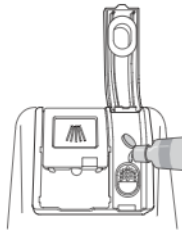
El indicador de **Rinse Aid** aparece en la pantalla cuando se necesita más abrillantador.

Se recomienda utilizar abrillantador para evitar que queden marcas de agua en la vajilla y para mejorar el rendimiento del secado.

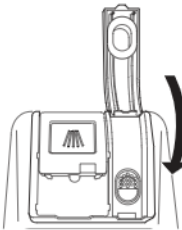
- 1 Abra la tapa del abrillantador levantando la lengüeta.



- 2 Agregue líquido abrillantador hasta el nivel máximo de llenado. El abrillantador debe asentarse en el dispensador mientras se llena o pueden formarse burbujas de aire que producirán resultados deficientes de secado. Evite llenar el dispensador en exceso.



- 3 Cierre la tapa para bloquear el dispensador. El abrillantador se dispensa automáticamente durante el ciclo final de enjuague.



NOTA

- Utilice solamente abrillantador líquido en el lavavajillas.
- No llene en exceso el dispensador de abrillantador.
- Limpie el abrillantador que se derrame alrededor del dispensador.

Ajuste del dispensador de abrillantador

El dispensador tiene cinco niveles de ajuste. El lavavajillas se programa en la fábrica para un nivel de dispensador de abrillantador de 2. Esto puede comprobarse o modificarse mediante los botones del panel de control.


- 1 Asegúrese de que el artefacto esté apagado.
- 2 Presione los botones **Dual Zone** y **Power** simultáneamente para verificar el ajuste actual.
- 3 Presione **Delay Start** para cambiar el ajuste del dispensador de abrillantador. Cada vez que presione el botón, el nivel se irá modificando, de Nivel 0 (L0) a Nivel 4 (L4).
- 4 Una vez que haya seleccionado el ajuste del dispensador de abrillantador deseado, presione **Start** para guardar.

NOTA

- Ajuste la configuración a un nivel más elevado si tiene agua dura o si nota la formación de calcio en su vajilla.
- Ajustar el control del abrillantador a un nivel demasiado bajo producirá manchas y vetas en la vajilla, así como también un bajo rendimiento de secado.
- Ajustar el control a un nivel demasiado elevado puede causar espumación, lo que resultará en un mal lavado.

Recarga del abrillantador

La frecuencia con la que se debe recargar el dispensador depende de la frecuencia con la que se lave la vajilla y el ajuste de abrillantador utilizado.

- El ícono **Rinse Aid**  parpadea cuando es necesario más abrillantador, a menos que el ajuste del dispensador de abrillantador esté configurado en L0.

FUNCIONES INTELIGENTES

Instalación de la aplicación

Busque la aplicación LG Smart ThinQ en Google Play Store desde un teléfono inteligente. Siga las instrucciones para descargar e instalar la aplicación.

Registro del producto

- 1 Ejecute la aplicación LG Smart ThinQ en un teléfono inteligente.
- 2 Cree una cuenta e inicie sesión.
- 3 Seleccione **Registrar**.
- 4 Seleccione **Lavavajillas**.
- 5 Siga las instrucciones en el teléfono inteligente.

Uso de la función Tag On

- Esta función es para el modelo NFC.

Utilice las funciones inteligentes convenientemente para comunicarse con el artefacto desde un teléfono inteligente.

La función Tag On solo puede utilizarse con la mayoría de los teléfonos inteligentes que cuentan con la función NFC (por las siglas en inglés de Near Field Communication, Comunicación de campo cercano) y con sistema operativo Android.

Uso de la aplicación

- 1 Seleccione el artefacto desde el Tablero para usar las funciones deseadas tocando el logotipo de Tag On del artefacto con un teléfono inteligente equipado con NFC.
- 2 Seleccione el menú en la parte superior del lado derecho para usar las funciones inteligentes.

Download Cycle (Descarga de ciclo)

Descargue ciclos nuevos y especiales que no se encuentran incluidos en los ciclos básicos del artefacto.

Los artefactos que se encuentran correctamente registrados tienen la posibilidad de descargar una variedad de ciclos especiales específicos para el artefacto.

Solamente puede guardarse un ciclo por vez en el artefacto.

Una vez que se completa la descarga de un ciclo en el artefacto, el producto mantiene el ciclo descargado hasta que se descarga un nuevo ciclo.

Asistente de limpieza de la máquina

Esta función muestra cuántos ciclos quedan antes de que se deba ejecutar el ciclo de Limpieza de la máquina.


Smart Diagnosis™

Esta función brinda información útil para diagnosticar y resolver problemas con el producto conforme a su patrón de uso.

Configuración

Ajuste el Nivel de Dispensador de Abrillantador, Recordatorio de Limpieza de Máquina, Pitido Encendido/ Apagado y la Luz Indicadora de Limpieza.

NOTA

- Sostenga el teléfono inteligente con firmeza sobre el logotipo de Tag On. Si no lograr hacer la conexión, mueva el teléfono hacia arriba y hacia abajo lentamente.
- Funciones inteligentes no puede activarse a menos que el artefacto esté encendido, para lo cual debe presionarse el botón **Power**.
- Presione  en la aplicación LG Smart ThinQ para obtener una guía más detallada de cómo usar la función Tag On.
- Para operar la función NFC en este artefacto, se requiere un teléfono inteligente con, al menos, cierto nivel de la función de reconocimiento de NFC activado. Debido a las características de la NFC, si la distancia de transmisión es excesiva o si hay un adhesivo metálico o una funda protectora en el teléfono, no habrá una buena transmisión. En algunos casos, es posible que los teléfonos equipados con tecnología NFC no logren transmitir correctamente.
- El contenido de este manual puede diferir de la versión actual de la aplicación LG Smart ThinQ y el software puede modificarse sin que se informe a los clientes.
- La función NFC varía según el teléfono inteligente.

Uso de la función Wi-Fi

- Esta función es para modelos Wi-Fi.

Comuníquese con el aparato desde un teléfono inteligente usando las características inteligentes convenientes.

Uso de la aplicación

- 1 Seleccione el producto en la aplicación y conéctelo a una red Wi-Fi.
- 2 Seleccione el menú de la parte superior derecha para acceder a ajustes y funciones.

Monitorización

Compruebe el estado, el ciclo, las opciones, el tiempo de operación y el tiempo de finalización del ciclo del aparato en una sola pantalla.

Download Cycle (Descarga de ciclo)

Descargue ciclos nuevos y especiales que no se encuentran incluidos en los ciclos básicos del artefacto.

Los artefactos que se encuentran correctamente registrados tienen la posibilidad de descargar una variedad de ciclos especiales específicos para el artefacto.

Solamente puede guardarse un ciclo por vez en el artefacto.

Una vez que se completa la descarga de un ciclo en el artefacto, el producto mantiene el ciclo descargado hasta que se descarga un nuevo ciclo.

Asistente de limpieza de la máquina

Esta función muestra cuántos ciclos quedan antes de que se deba ejecutar el ciclo de Limpieza de la máquina.

Smart Diagnosis™

Esta función brinda información útil para diagnosticar y resolver problemas con el producto conforme a su patrón de uso.

Configuración


Ajuste el Nivel de Dispensador de Abrillantador, Recordatorio de Limpieza de Máquina, Pitido Encendido/Apagado y la Luz Indicadora de Limpieza.

Enviar alertas

Active Enviar alertas para recibir notificaciones del estado del aparato.

Las notificaciones serán recibidas aunque la aplicación de LG Smart ThinQ esté desactivada.

NOTA

- Para verificar la conexión Wi-Fi, revise que el ícono **Wi-Fi**  en el panel de control esté encendido.
- LG Smart ThinQ no es responsable por ningún problema de conexión en red, falla, mal funcionamiento o error causado por la conexión de red.
- La máquina solo admite redes Wi-Fi de 2.4 GHz.
- Si el aparato tiene problemas para conectarse a la red Wi-Fi, es posible que se encuentre demasiado lejos del router. Adquiera un repetidor Wi-Fi (extensor de alcance) para mejorar la intensidad de la señal Wi-Fi.
- Es posible que la conexión Wi-Fi no se conecte o se interrumpa debido al entorno de la red doméstica.
- Según el proveedor de servicios de Internet, la conexión de la red puede no funcionar correctamente.
- El entorno inalámbrico circundante puede hacer que el servicio de red inalámbrica funcione lentamente.
- Esta información está actualizada en el momento de su publicación. La aplicación está sujeta a cambios con fines de mejorar el producto sin previo aviso a los usuarios.

Información de anuncio de programas de código abierto

Para obtener el código fuente correspondiente GPL, LGPL, MPL y otras licencias de código abierto que contiene este producto, visite <http://opensource.thesignaturekitchen.com>. Además del código fuente, podrá descargar las condiciones de las licencias, exención de responsabilidad de la garantía y avisos de copyright.

LG Electronics también le proporciona el código de fuente abierta en CD-ROM por un costo que cubre dicha distribución (tal como el precio del soporte, el envío y la entrega) si lo solicita por correo electrónico a opensource@lge.com. Esta oferta tiene validez durante tres (3) años a partir de la fecha en la que se adquirió el producto.

Aviso de la FCC (para el módulo transmisor contenido en este producto)

Este equipo fue probado y se determinó que cumple con los límites para los dispositivos digitales de Clase B, en conformidad con la parte 15 de las normas de la FCC. Estos límites están diseñados para ofrecer una protección razonable contra interferencias dañinas en una instalación residencial. Este equipo genera, usa y puede emitir energía de radiofrecuencia y, si no se instala y utiliza de acuerdo con las instrucciones, podría causar interferencias dañinas a las comunicaciones por radio. Sin embargo, no se garantiza que dicha interferencia no pueda ocurrir en instalaciones particulares. Si este equipo causa interferencia dañina a la recepción de radio o televisión, que se puede determinar encendiendo y apagando el equipo, se aconseja al usuario intentar corregir la interferencia realizando alguna de las siguientes acciones:

- Reorientar o reubicar la antena receptora.
- Aumentar la separación entre el equipo y el receptor.
- Conectar el equipo a una toma de corriente en un circuito diferente del utilizado por el receptor.
- Consultar al vendedor o a un técnico de radio/TV con experiencia para solicitar ayuda.

Este dispositivo cumple con la parte 15 de las normas de la FCC. La operación está sujeta a las dos siguientes condiciones:

- 1) este dispositivo no debe causar interferencia dañina, y
- 2) este dispositivo debe aceptar cualquier interferencia recibida, incluso aquellas que pudieran causar un funcionamiento no deseado del dispositivo.

Cualquier cambio o modificación en la construcción de este dispositivo que no cuente con la aprobación expresa de la parte responsable del cumplimiento puede anular la autorización del usuario para operar este equipo.

Declaración sobre exposición a la radiación de RF de la FCC

Este equipo cumple con los límites de exposición a la radiación de la FCC establecidos para entornos no controlados. Este transmisor no se debe ubicar ni operar junto con ninguna otra antena ni transmisor.

El equipo se debe instalar y operar con una distancia mínima de 20 cm (7.8 pulg.) entre la antena y su cuerpo. Los usuarios deben seguir las instrucciones de operación específicas de manera tal de cumplir con las normas de exposición a la RF.

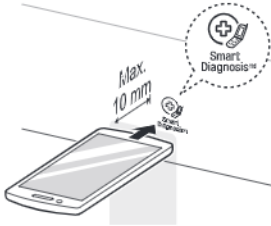
Especificaciones módulo LAN inalámbrico

Modelo	LCW-003
Rango de frecuencia	2412~2462 MHz
Rango de frecuencia (max.)	IEEE 802.11 b : 17.56 dBm IEEE 802.11 g : 25.53 dBm IEEE 802.11 n : 25.29 dBm

Uso de Smart Diagnosis™

Utilice esta función si necesita un diagnóstico seguro del Centro de información al cliente de LG Electronics cuando el producto funciona mal o falla.

Smart Diagnosis™ no puede activarse a menos que el artefacto esté encendido, para lo cual debe presionarse el botón **Power**. Si el artefacto no se puede encender, deberán resolverse los problemas sin usar Smart Diagnosis™.



Smart Diagnosis™ con un teléfono inteligente

- 1 Abra la aplicación LG Smart ThinQ en el teléfono inteligente.
- 2 Seleccione el artefacto y luego el menú en la parte superior del lado derecho.
- 3 Seleccione **Smart Diagnosis** y, a continuación, presione el botón **Inicie Smart Diagnosis**.
- 4 Siga las instrucciones en el teléfono inteligente.

Si el diagnóstico falla varias veces

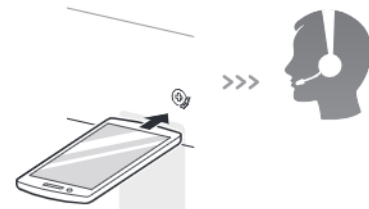
- 5 Seleccione **Intente de nuevo** o **Diagnóstico en audio**.
- 6 Posicione el micrófono del teléfono inteligente cerca del ícono de Smart Diagnosis™.
- 7 Mantenga presionado **Download Cycle** hasta que se visualice una cuenta regresiva en el artefacto.
- 8 Mantenga el teléfono allí hasta que la transmisión de tonos haya terminado. Vea el diagnóstico en el teléfono.

NOTA

- Smart Diagnosis™ puede fallar si la red es inestable.

Smart Diagnosis™ a través del Centro de información al cliente

- 1 Comuníquese con el Centro de información al cliente de LG Electronics llamando al:
(LG EE. UU.) 1-800-243-0000
(LG Canadá) 1-888-542-2623
- 2 Cuando del centro de información le soliciten que lo haga, coloque el micrófono del teléfono cerca del ícono de Smart Diagnosis™. No presione ningún otro botón.
- 3 Mantenga presionado **Download Cycle** hasta que se visualice una cuenta regresiva en el artefacto.
- 4 Mantenga el teléfono allí hasta que la transmisión de tonos haya terminado.
 - Para obtener resultados óptimos, no mueva el teléfono mientras se transmitan los tonos.
 - Si el agente del centro de atención no puede obtener una grabación precisa de los datos, es posible que le pida que lo intente nuevamente.



- 5 Una vez que la cuenta regresiva haya terminado y se hayan detenido los tonos, reanude su conversación con el agente del centro de atención, que podrá, entonces, ayudarlo a usar la información transmitida para un análisis.

NOTA

- La calidad de la función Smart Diagnosis™ depende de la calidad de la llamada local.
- El resultado de la comunicación será mejor y usted podrá recibir un mejor servicio si usa el teléfono fijo de su casa.
- En caso de que la transferencia de datos de Smart Diagnosis™ sea deficiente debido a la mala calidad de la llamada, es posible que usted no reciba el mejor servicio de Smart Diagnosis™.

MANTENIMIENTO

Para mantener el rendimiento y evitar problemas, es importante verificar el exterior y el interior del lavavajillas, incluidos los filtros y los brazos rociadores, a intervalos regulares.

ADVERTENCIA

- Cuando limpie el exterior y el interior del lavavajillas, no utilice benceno ni solvente. De lo contrario, podría ocasionar un incendio o una explosión.
- Para evitar lesiones físicas durante el cuidado y el mantenimiento o limpieza, use guantes y/o prendas protectoras.

NOTA

- Si no ha utilizado el lavavajillas durante mucho tiempo, refresque el interior ejecutando un ciclo de limpieza de la máquina sin detergente. Cuando el ciclo haya finalizado, limpie el interior y el exterior del lavavajillas siguiendo las instrucciones de la sección Mantenimiento.

Limpieza del exterior

- En la mayoría de los casos, el exterior del lavavajillas se puede limpiar con un trapo o una esponja suaves y humedecidos, y secar con un trapo suave. Si el lavavajillas tiene el exterior de acero inoxidable, use un limpiador para ese material.

Limpieza del interior

- Limpie el interior del lavavajillas periódicamente con un trapo o una esponja suaves y humedecidos para eliminar las partículas de alimentos y suciedad.
- Para eliminar manchas blancas y olores del interior del lavavajillas, ejecute un ciclo con la máquina vacía, sin detergente, colocando la cantidad correspondiente a una taza de vinagre blanco en un recipiente apto para lavavajillas en el estante superior. (El vinagre es un ácido y su uso constante podría dañar el artefacto).

Mantenimiento estacional y almacenamiento

- En caso de que vaya a ausentarse por un extenso período de tiempo durante los meses más calurosos, cierre la válvula de agua, desenchufe la línea de alimentación o apague el interruptor de corriente. Limpie el filtro, la cuba y el dosificador para evitar olores.
- En caso de que vaya a ausentarse por un extenso período de tiempo durante los meses más fríos y exista la posibilidad de que haya temperaturas heladas, prepare las líneas de suministro de agua y el mismo lavavajillas para el invierno. La preparación para el invierno debe ser realizada por personal de servicio calificado.

Trampa de aire del desagüe o triturador del fregadero obstruidos

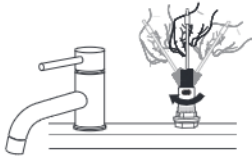
Verifique la trampa de aire del desagüe o el triturador del fregadero si el lavavajillas no desagota correctamente.

Limpieza de la trampa de aire

- 1 Apague el lavavajillas.
- 2 Retire la cubierta de la trampa de aire y la tapa plástica que se encuentra debajo.



- 3 Limpie quitando cualquier desecho con un palillo o cepillo.



- 4 Vuelva a colocar la tapa plástica y la cobertura de la trampa de aire.



NOTA

- La trampa de aire del desagüe y el triturador son dispositivos de fontanería externos y no forman parte del lavavajillas.
- La garantía del lavavajillas no cubre los costos de servicio directamente relacionados con la limpieza o la reparación de la trampa de aire de desagüe externa y el triturador.

Limpeza de los filtros

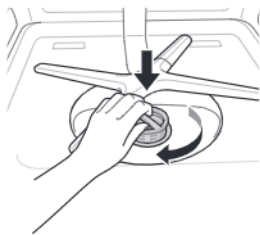
- 1 Retire el estante inferior y coloque brazo rociador del fondo de modo que se abra una V más amplia hacia adelante.
- 2 Gire el filtro interno en sentido contrario a las agujas del reloj y quite el filtro interno ensamblado y el filtro de acero inoxidable.



- 3 Limpie los filtros con un cepillo de cerdas suaves bajo el chorro de agua. Ensamble de nuevo los filtros antes de volver a instalarlos.



- 4 Para volver a colocar los filtros ensamblados, coloque el brazo rociador de modo que la V más amplia apunte hacia adelante. Encaje los filtros nuevamente en el soporte de filtros y asegúrelos haciendo girar el filtro interior en el sentido de las agujas del reloj hasta que haga clic en su lugar.



⚠ ADVERTENCIA

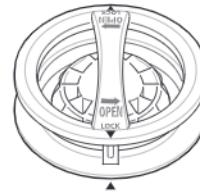
- Tenga cuidado con los bordes filosos al manipular el filtro de acero inoxidable.

⚠ PRECAUCIÓN

- Retire los restos de comida que se encuentren atascados en los filtros para evitar la acumulación de bacterias que generan malos olores así como también posibles problemas en el desagote.

NOTA

- Para lograr los mejores resultados de lavado, limpie el filtro después de cada carga. Si el filtro sigue sucio, puede causar olores.
- En áreas donde hay agua dura, limpie el filtro utilizando un cepillo suave una vez al mes, como mínimo.
- Limpie los filtros utilizando materiales no abrasivos y agua corriente tibia.
- Asegúrese de que el filtro esté correctamente ensamblado antes de comenzar un ciclo. Cuando lo ensamble, rótelos con firmeza hasta que haga clic.



Programa de limpieza del filtro recomendada

Cantidad de cargas por semana	Si lava la vajilla antes de cargarla	Si quita los residuos y enjuaga la vajilla antes de cargarla	Si solo quita los residuos de la vajilla antes de cargarla	Si no quita los residuos y enjuaga la vajilla antes de cargarla
1-3	Cada 6 meses	Una vez por año	Cuatro veces por año	Una vez por mes
4-7	Cada 6 meses	Una vez por año	Cuatro veces por año	Dos veces por mes (cada 15 días)
8-12	Cada 6 meses	Cada 6 meses	Cada 1.5 meses	Todas las semanas
13-14	Cada 6 meses	Cada 6 meses	Cada 1.5 meses	Dos veces por semana

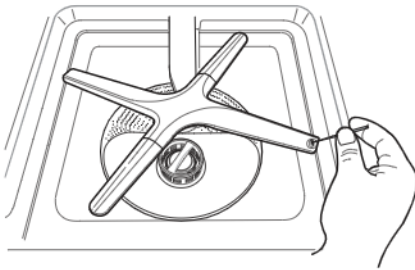
Limpeza de los brazos rociadores

Si los orificios de los brazos rociadores se encuentran bloqueados por algún residuo de comida, es posible que la vajilla no se lave correctamente debido a que el rociado no se efectuará de forma adecuada.

Se recomienda limpiar los brazos rociadores cada dos semanas.

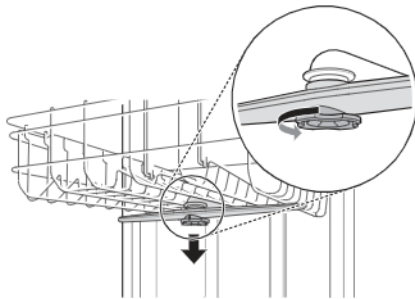
Limpeza del brazo rociador inferior

- 1 Asegúrese de que los orificios propulsores de agua no estén obstruidos con partículas de alimentos.
- 2 Si algún residuo de comida bloquea los orificios de los brazos rociadores, elimine la suciedad utilizando un alfiler o alguna herramienta punzante.

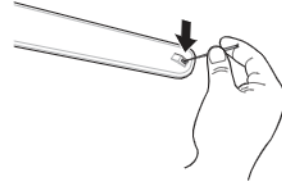


Limpeza del brazo rociador superior

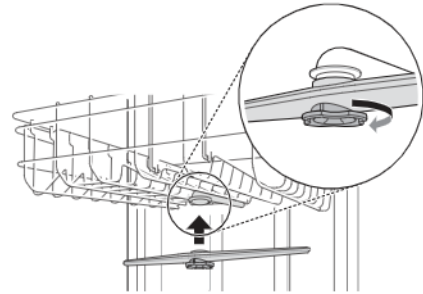
- 1 Tire de la bandeja superior hacia fuera. Asegúrese de que los orificios propulsores de agua no estén obstruidos con partículas de alimentos.
- 2 Cuando sea necesario realizar una limpieza, extraiga el brazo rociador superior girando la tuerca ubicada en la parte inferior del brazo $\frac{1}{8}$ de giro en sentido contrario a las agujas del reloj y tire de él hacia abajo.



- 3 Enjuague o sacuda el brazo rociador para quitar las partículas de alimentos.
- 4 Si algún residuo de comida bloquea los orificios de los brazos rociadores, elimine la suciedad utilizando un alfiler o alguna herramienta punzante.



- 5 Cuando haya quitado los residuos de comida, limpie los orificios de los brazos rociadores bajo el chorro de agua.
- 6 Luego de limpiar el brazo rociador superior, vuelva a colocarlo en su lugar. Gire la tuerca $\frac{1}{8}$ de giro en sentido de las agujas del reloj para asegurarse de que la tuerca se bloquee nuevamente en su lugar.



- 7 Luego de ensamblar, verifique que los brazos rociadores giren libremente.

SOLUCIÓN DE PROBLEMAS

Preguntas frecuentes

P: ¿Es necesario utilizar un abrillantador?

R: Es muy recomendable utilizar un abrillantador para mejorar el rendimiento del secado del lavavajillas. Para ganar eficiencia en el consumo de energía, el sistema de secado híbrido no utiliza un elemento de calor para asistir el secado, de manera que el abrillantador cumple un rol crucial en dicho proceso. Si no se usa abrillantador, podría quedar agua en la vajilla y en la cuba. El abrillantador ayuda a garantizar que la mayor parte del agua sea removida de la vajilla al final del enjuague y que la carga esté lista para el ciclo de secado.

P: ¿Qué puedo hacer si mi vajilla queda con una película turbia o blanca después del lavado?

R: En general, la película turbia se origina por los minerales del agua que reaccionan con el detergente del lavavajillas. En primer lugar, asegúrese de no utilizar demasiado detergente. Consulte la sección Cómo agregar detergente en el dispensador para conocer las cantidades recomendadas de detergente. Agregue un enjuague extra al ciclo. Los lavavajillas LG utilizan menos agua que los lavavajillas tradicionales; por lo tanto, agregar un enjuague extra ayuda a quitar la película. Si el agua de suministro es dura, podría necesitarse un impulsor de rendimiento que trate la condición de agua dura.

P: ¿Qué pasos debo seguir para mejorar los resultados de secado?

R: El rendimiento del secado se ve directamente afectado por la cantidad de calor que permanece en la cuba después de que se ejecuta el enjuague caliente. Si su lavavajillas se encuentra alejado del calentador de agua de su casa, podría resultar necesario abrir la llave de agua caliente del fregadero antes de iniciar el ciclo de lavado para asegurarse de que se purgue el agua fría de las líneas de agua caliente. Esto garantizará que su lavavajillas tenga un suministro consistente de agua caliente desde el comienzo hasta el final. La utilización del ajuste de Alta temperatura también ayuda a mantener la temperatura del tambor interno y la vajilla más caliente antes de que se inicie el secado.

Los lavavajillas LG están diseñados para ser utilizados con abrillantador. El abrillantador maximiza la cantidad de agua que se elimina de la vajilla antes de que comience el ciclo de secado. Si se utiliza un abrillantador y el rendimiento aún necesita ser mejorado, ajuste la cantidad de abrillantador utilizada. Dos (2) es el ajuste predeterminado, pero, de ser necesario, fíjelo el nivel en 3 para que se utilice más cantidad de abrillantador.

El agua tiende a repeler en vez de extenderse en plástico y superficies antiadherentes, haciéndolas más difícil de secar. Si lava artículos de plástico en el ciclo Normal seleccione la opción **Extra Dry** o **Night Dry** o ambas para mejores resultados de secado. Cuando la asistencia de enjuague está vacante, la opción **Extra Dry** es seleccionada automáticamente.

Permita que el lavavajillas finalice por completo el ciclo de secado antes de abrir la puerta. Si la puerta se abre en el medio de un ciclo de secado, el calor necesario para el funcionamiento del sistema de secado híbrido se fugará. Esto provocará que toda la vajilla que se encuentra en el interior del lavavajillas permanezca húmeda cuando termine el ciclo.

P: ¿Qué es el sistema de secado híbrido?

R: El lavavajillas no utiliza un elemento de calentamiento para el proceso de secado, sino que el calor es retenido por la vajilla y el compartimiento durante los ciclos de lavado y enjuague para luego convertir el agua que se produce en la cuba en humedad.

El aire caliente y húmedo del lavavajillas se introduce en un conducto de condensación ubicado en la puerta por medio de un ventilador. Luego, el aire se enfría y hace que la humedad se condense. El aire a temperatura ambiente también se introduce en el conducto para ayudar a enfriar el aire más rápido. Cuando la humedad se condensa en líquido, es desagotada.

NOTA

- Se requiere abrillantador para mejorar el rendimiento de secado. Si no se usa abrillantador, podría quedar agua en la vajilla y en la cuba.

P: ¿Por qué se escucha un silbido?

R: Es importante determinar cuánto tiempo dura el ruido y cuándo aparece (en qué parte del ciclo). Cuando ingresa el agua al lavavajillas, puede escucharse un silbido. Esto es normal. Cuando la presión de agua es demasiado elevada, el sonido será más intenso; por lo cual, podría resultar necesario ajustar la válvula de agua para disminuir la presión si el sonido es demasiado fuerte.

P: ¿Qué tipo de vajilla puede colocarse en el lavavajillas?

R: Asegúrese que la vajilla que coloque en el artefacto sea apta para lavavajillas. La vajilla plástica no se seca de manera tan efectiva como la vajilla de cristal o de metal. Los objetos plásticos no retienen tanto el calor como la vajilla de cristal o de metal. Las tazas y la vajilla de plástico podrían necesitar ser secadas a mano antes de guardarlas al finalizar el ciclo.

P: ¿Puedo realizar solamente un ciclo de secado?

R: Para desagotar el agua estancada, mantenga presionado el botón **Start** durante tres segundos hasta que el ciclo se detenga. Después de que se termina de desagotar el lavavajillas, se apaga la electricidad.

P: ¿Por qué mi lavavajillas emite un pitido continuo si abro la puerta durante o justo después de finalizado un ciclo?

R: Esto es normal. El lavavajillas le informa que las temperaturas interiores de la unidad son altas y que debe tener cuidado cuando coloque sus manos en su interior. Cuando la unidad se enfría, el pitido se detiene.

P: ¿Qué es el Bloqueo de control y cómo se activa?

R: El bloqueo **Control Lock** es una función que evita que se cambien los controles durante el ciclo. No evita que se abra la puerta ni que se apague la unidad. Para activar o desactivar, mantenga presionados **Half Load** y **Energy Saver** de forma simultánea durante tres segundos.

P: ¿Puedo agregar una extensión a la manguera de desagüe?

R: Si es necesario utilizar una extensión en la manguera de desagüe, use una manguera de diámetro interior de $\frac{5}{8}$ " o $\frac{7}{8}$ " y de 2 a 3 pies de longitud y un acople para conectar los dos extremos.

P: Una luz LED está parpadeando, la máquina está emitiendo un pitido y el lavavajillas no inicia el lavado. ¿Qué le ocurre al lavavajillas?

R: Esta es una función de seguridad. La puerta se debe cerrar dentro de los cuatro segundos de haberse presionado el botón **Start**. Si la puerta no se cierra a los cuatro segundos, parpadea una luz LED, suena una alarma y el lavavajillas no funciona. Para que el lavavajillas comience a funcionar, abra la puerta y luego ciérrela y presione **Start** (controles frontales) o presione **Start** y cierre la puerta antes de que transcurran cuatro segundos (controles superiores).

P: Antes de cargar la vajilla, ¿debo enjuagarla?

R: No, no necesita enjuagar la vajilla antes de cargarla, en especial si utiliza los ciclos Normal y Automático. El lavavajillas deja sus platos limpios sin necesidad de un enjuague previo.

Videos de soporte para el usuario

Si necesita más ayuda, puede encontrar videos y tutoriales en el sitio web LG.com.

- 1 En la página principal de www.lg.com/us, haga click en la pestaña Soporte del menú para mostrar las selecciones del menú. Seleccione **Video Tutorials**.
- 2 Selecciona una categoría de producto y luego elija un tema o busque una palabra clave.



Escanee este código QR para acceder rápidamente a la página búsqueda de video en el sitio web de LG.

Antes de llamar al servicio técnico






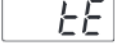
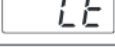

El artefacto está equipado con un sistema automático de monitoreo de errores para detectar y diagnosticar problemas en una etapa temprana. Si el artefacto no funciona adecuadamente o si no funciona en absoluto, verifique lo siguiente antes de solicitar servicio técnico.

Problema	Causa posible	Soluciones
El lavavajillas no funciona.	No se presionó el botón Start.	• Presione el botón Start.
	La puerta no está bien cerrada.	• Asegúrese de que la puerta esté bien cerrada y trabada.
	El suministro de energía o la línea de alimentación no están conectados.	• Conecte el suministro de energía o la línea de alimentación adecuadamente.
	El fusible está quemado o el interruptor de corriente está desactivado.	• Reemplace el fusible o restablezca el interruptor de corriente.
El lavavajillas funciona por demasiado tiempo.	El lavavajillas está conectado al agua fría.	• Controle la conexión del suministro de agua o el ajuste de calentamiento del agua. (Calentar el agua fría lleva más tiempo).
Olor.	El ciclo anterior se ha parado antes de su finalización y quedaron residuos de agua en el lavavajillas.	• Encienda el aparato, ejecute la opción Cancelar ciclo para eliminar el agua residual y efectúe un ciclo Turbo con detergente, pero con el lavavajillas vacío.
	Hay alimentos en el fondo de la unidad o en el filtro.	• Limpie el filtro y el interior según la sección Mantenimiento del manual del propietario.
	Se deja vajilla sin lavar mucho tiempo en el lavavajillas.	• Haga un ciclo vacío con una taza de vinagre blanco en un vaso o recipiente apto para lavavajillas colocado en la bandeja superior. (El vinagre es un ácido y su uso constante podría dañar el aparato).
El agua permanece en el compartimiento luego de que el ciclo se completa.	La manguera de desagüe está plegada u obstruida.	• Ajuste la manguera o elimine el bloqueo.
Quedan restos de comida en la vajilla.	Selección inadecuada de ciclo.	• Seleccione el ciclo correcto según el nivel de suciedad y el tipo de vajilla a lavar.
	La temperatura del agua es demasiado baja.	• Controle la conexión del suministro de agua o el ajuste de calentamiento del agua.
	No se utilizó detergente para lavavajillas.	• Utilice el detergente recomendado.
	Presión de agua de entrada insuficiente.	• La presión de agua debe ser de entre 20 y 80 psi.
	Los orificios propulsores de agua de los brazos rociadores están bloqueados.	• Limpie los brazos rociadores.
	Carga inadecuada de vajilla.	• Asegúrese de que la vajilla no bloquee la rotación de los brazos rociadores ni interfieran con el dispensador de detergente.
	Los filtros están obstruidos.	• Limpie los filtros.
Opacidad en la vajilla de cristal.	Hay una combinación de exceso de detergente y agua dura.	• Use menos detergente y un abrillantador para minimizar el problema.
Marcas negras o grises en la vajilla.	Los objetos de aluminio rozan contra la vajilla durante el ciclo.	• Reposicione la vajilla.
Película amarilla o marrón en las superficies internas del lavavajillas.	Manchas de té o café.	• Elimine las manchas utilizando un producto quita manchas.

Problema	Causa posible	Soluciones
Manchas y película en la vajilla.	Baja temperatura del agua.	<ul style="list-style-type: none"> El suministro de agua debe estar a 120 °F para un mejor rendimiento de lavado.
	Sobrecarga.	<ul style="list-style-type: none"> No sobrecargue el lavavajillas.
	Carga inadecuada.	<ul style="list-style-type: none"> Consulte la sección "Funcionamiento".
	Presión de agua insuficiente.	<ul style="list-style-type: none"> La presión de agua debe ser de entre 20 y 80 psi.
	Detergente insuficiente.	<ul style="list-style-type: none"> Agregue la cantidad de detergente recomendada. Consulte la sección "Funcionamiento".
	El dispensador del abrillantador está vacío.	<ul style="list-style-type: none"> Recargue el dispensador del abrillantador.
	Agua dura acumulada en la cuba.	<ul style="list-style-type: none"> Retire toda la vajilla, los cubiertos y el cesto para cubiertos del lavavajillas. Deben quedar únicamente los estantes en la cuba. Para obtener mejores resultados, use ácido cítrico en polvo (se puede encontrar en la sección de enlatados de la mayoría de los mercados o en Internet). Mida 3 cucharadas (40 g) de ácido cítrico en polvo. Llene el compartimiento principal de lavado con el polvo que ha medido. Si no puede conseguir ácido cítrico en polvo, vierta aproximadamente una taza (200-300 ml) de vinagre blanco en un recipiente poco profundo y colóquelo en el estante superior. Ejecute el ciclo de limpieza de la máquina. No utilice detergente.
Ruido.	Algunos ruidos son normales durante el funcionamiento.	<ul style="list-style-type: none"> Abra la cubierta de detergente. Desagote la bomba al inicio del ciclo de desagüe.
	El lavavajillas no se encuentra a nivel.	<ul style="list-style-type: none"> Ajuste las patas de nivelación.
	El brazo de la boquilla golpea contra la vajilla.	<ul style="list-style-type: none"> Reposicione la vajilla.
La vajilla no se seca.	El dispensador del agente de enjuague está vacío.	<ul style="list-style-type: none"> Controle y recargue el dispensador del agente de enjuague si está vacío.
Las lámparas no se encienden.	La electricidad está desconectada.	<ul style="list-style-type: none"> Conecte el suministro de energía.
Los brazos rociadores no rotan normalmente.	Los orificios de los brazos rociadores están bloqueados con partículas de comida.	<ul style="list-style-type: none"> Limpie los orificios de los brazos rociadores.
La bandeja superior está torcida.	La bandeja está mal ajustada.	<ul style="list-style-type: none"> Consulte la sección "Bandeja superior ajustable".
El lavavajillas emite un pitido constante cuando la puerta está abierta, durante o justo luego de que finaliza un ciclo.	Se trata de una medida de seguridad. El contacto con el vapor que surge del interior o con contenidos del lavavajillas que se hallan a altas temperaturas puede provocar lesiones.	<ul style="list-style-type: none"> Cierre la puerta hasta que el lavavajillas y la vajilla se enfríen. El pitido finalizará si se cierra la puerta o cuando disminuya la temperatura interior.

Problema	Causa posible	Soluciones
El lavavajillas emite un pitido si se toca el panel mientras está operando.	Si se choca o toca el panel de control cuando el artefacto está en funcionamiento, puede producirse un sonido de botón desactivado. Solo los botones Power, Start y Control Lock están activados durante el funcionamiento para evitar que los ajustes de ciclo se cambien accidentalmente.	<ul style="list-style-type: none"> • Puede apagar los sonidos de los botones manteniendo presionado Half Load durante 3 segundos. • Los sonidos de fin de ciclo y de alertas se seguirán emitiendo.
El lavavajillas no finalizó el ciclo.	La puerta se abrió durante el ciclo.	<ul style="list-style-type: none"> • Si la puerta se abre durante un ciclo, debe presionarse el botón Start antes de que transcurran 4 minutos o la máquina se apaga y se pierden todos los ajustes.
Se producen pérdidas desde la parte frontal de la unidad.	El lavavajillas no está correctamente nivelado.	<ul style="list-style-type: none"> • Verifique que la unidad esté correctamente nivelada de lado a lado y de adelante hacia atrás. Consulte las instrucciones para la nivelación en la sección Instalación.
P1, P2, P3, o P4 aparece en la pantalla.	El ciclo de Descarga está seleccionado.	<ul style="list-style-type: none"> • Éste no es un código de error. Éste código indica el ciclo de Descarga en curso.

Códigos de error

Problema	Causa posible	Soluciones
	Hay un problema en la entrada de agua.	<ul style="list-style-type: none"> • Controle que la manguera del agua no esté obstruida, plegada o congelada. • Controle el suministro de agua.
	Hay un problema en el desagüe.	<ul style="list-style-type: none"> • Controle que la manguera de desagüe de agua no esté obstruida, plegada o congelada.
	La trampa de aire o el triturador están obstruidos.	<ul style="list-style-type: none"> • Limpie la trampa de aire o el triturador.
	Los filtros están obstruidos.	<ul style="list-style-type: none"> • Limpie los filtros.
	Pérdida de agua.	<ul style="list-style-type: none"> • Corte el suministro de agua al lavavajillas y comuníquese con un Centro de Información al Cliente de LG llamando al 1-800-243-0000 (EE. UU.) o al 1-888-542-2623 (Canadá). • El lavavajillas emite un sonido de alerta durante 10 segundos y la bomba de desagüe funciona de manera intermitente. Si se apaga el artefacto, este vuelve a encenderse automáticamente hasta que se resuelve el error AE.
	Excesiva cantidad de agua.	<ul style="list-style-type: none"> • Comuníquese con un centro de información al cliente de LG Electronics llamando al: 1-800-243-0000 (EE. UU.) 1-888-542-2623 (Canadá).
	Fallas en el circuito de calentamiento.	
	Fallas en el termistor.	
	Problema con el motor.	
	Problema con el motor Vario.	

GARANTÍA

Si el lavavajillas LG fallara debido a defectos de materiales o de fabricación en el uso doméstico normal, durante el período de garantía que se establece a continuación, LG tendrá la opción de reparar o reemplazar el producto. Esta garantía limitada solo es válida para el comprador minorista original del producto y será vigente solo cuando se compre y use dentro de los Estados Unidos y de los territorios estadounidenses. Se exige el comprobante de compra minorista original para solicitar servicio por garantía según esta garantía limitada.

Periodo de garantía	Alcance de la garantía	CÓMO SE MANEJA EL SERVICIO TÉCNICO
Un (1) año a partir de la fecha de compra minorista original	Mano de obra / Piezas	LG también brindará, sin costo alguno, todos los servicios de mano de obra y en sitio para reemplazar la pieza defectuosa.
Cinco (5) años a partir de la fecha de compra minorista original	Componentes electrónicos/ Bandejas	Tablero de control electrónico y bandejas del lavavajillas. El cliente será responsable del costo de mano de obra o servicio en el hogar para reemplazar las piezas defectuosas.
Diez (10) años a partir de la fecha de compra minorista original	Motor Direct Drive	Motor Direct Drive. El cliente será responsable del costo de mano de obra o servicio en el hogar para reemplazar las piezas defectuosas.
Garantía limitada de por vida	Cuba	Revestimiento de acero inoxidable de la puerta y la cuba. El cliente será responsable del costo de mano de obra o servicio en el hogar para reemplazar las piezas defectuosas.

- Los productos y las piezas de repuesto están garantizados durante el tiempo restante del período original de garantía o noventa (90) días, lo que resulte mayor.
- Los productos y las piezas de repuesto pueden ser nuevos o reparados.



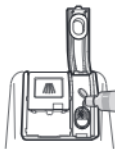


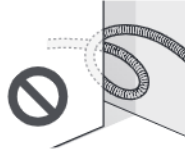
ESTA GARANTÍA REEMPLAZA CUALQUIER OTRA GARANTÍA, EXPRESA O IMPLÍCITA, LO QUE INCLUYE SIN LÍMITE, LAS GARANTÍAS DE APTITUD COMERCIAL O IDONEIDAD PARA UN FIN EN PARTICULAR. SALVO POR LAS GARANTÍAS IMPLÍCITAS EXIGIDAS POR LA LEY, SU DURACIÓN ESTÁ LIMITADA AL PERÍODO DE GARANTÍA EXPRESO MENCIONADO ANTERIORMENTE. NI EL FABRICANTE NI SU DISTRIBUIDOR EN LOS ESTADOS UNIDOS SERÁN RESPONSABLES DE NINGÚN DAÑO INCIDENTAL, EMERGENTE, INDIRECTO NI PUNITIVO DE NINGÚN TIPO, LO QUE INCLUYE SIN LÍMITE, INGRESOS O GANANCIAS PERDIDOS O CUALQUIER OTRO DAÑO CONTRACTUAL, EXTRA CONTRACTUAL O DE OTRO TIPO.

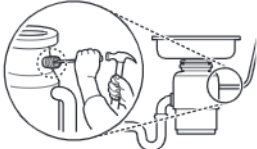
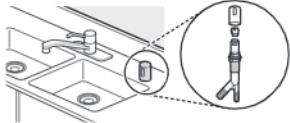


Algunos estados no permiten la exclusión o limitación de daños incidentales o emergentes, o limitaciones a la duración de la garantía implícita, por lo que la exclusión o limitación anteriormente mencionadas podrían no corresponder en su caso. Esta garantía le otorga derechos legales específicos y es posible que usted cuente con otros derechos que varían según el estado.

ESTA GARANTÍA LIMITADA NO CUBRE LO SIGUIENTE:

- Viajes del servicio técnico para entregar, buscar, instalar o reparar el producto; instrucciones al cliente sobre la operación del producto; reparación o reemplazo de fusibles o corrección de cableado o fontanería, o corrección de reparaciones/instalaciones no autorizadas.
- Incapacidad del producto para funcionar debido a fallas e interrupciones del suministro eléctrico o a un servicio eléctrico inadecuado.
- Daños causados por tuberías de agua rotas o con fugas, tuberías de agua congeladas, líneas de desagüe restringidas, suministro de agua inadecuado o interrumpido, o suministro de aire inadecuado.
- Daños resultantes de operar el producto en una atmósfera corrosiva o contraria a las instrucciones detalladas en el manual del propietario del producto.
- Daños al producto causados por accidentes, pestes y alimañas, rayos, viento, incendio, inundaciones o hechos de fuerza mayor.
- Daños o fallas causados por modificaciones o alteraciones no autorizadas, o si se usa para otro fin que no sea el previsto, o por fugas de agua donde la unidad no se haya instalado correctamente.

- Daños o fallas causados por corriente o voltaje eléctricos incorrectos, o por códigos de fontanería, por uso comercial o industrial, o por uso de accesorios, componentes o productos de limpieza consumibles no aprobados por LG.
- Daños causados por el transporte y el manejo, incluye rayas, muescas, astillado y otros daños al acabado del producto, a menos que tales daños resulten de defectos de los materiales o de la fabricación y se informen dentro del plazo de una (1) semana de la entrega.
- Daños o artículos faltantes a productos reacondicionados, comprados con descuento, con la caja abierta o que hayan estado en exhibición.
- Productos cuyos números de serie originales hayan sido retirados, alterados o no se puedan determinar fácilmente. Los números de serie y de modelo, junto con el comprobante de venta minorista original, son necesarios para validar la garantía.
- Aumentos en los costos de los servicios públicos y otros gastos adicionales de dichos servicios.
- Reparaciones cuando el producto se use de otra forma que no sea uso doméstico usual y normal (p. ej., uso comercial, en oficinas e instalaciones recreativas) o uso contrario a las instrucciones detalladas en el manual del propietario del producto.
- Costos asociados con el retiro del producto de su casa para realizar reparaciones.

<p>Resultados deficientes de lavado causados por desechos remanentes en el filtro.</p>		<ul style="list-style-type: none"> • Limpie el filtro con regularidad.
<p>Resultados deficientes de lavado causados por una carga incorrecta o exceso de apilado: el brazo de lavado no gira o el dispensador de jabón queda cerrado.</p>		<ul style="list-style-type: none"> • Asegúrese de que no haya vajilla ni utensilios que bloqueen los brazos rociadores. • No apile la vajilla.
<p>Resultados deficientes de secado causados por falta de abrillantador.</p>		<ul style="list-style-type: none"> • Use abrillantador o detergente combinado.
<p>No se suministra agua porque el grifo no está abierto.</p> <p>Error IE</p>		<ul style="list-style-type: none"> • Verifique y abra la llave de agua.
<p>No hay suministro de agua, porque la manguera de entrada está plegada.</p> <p>Error IE</p>		<ul style="list-style-type: none"> • Vuelva a instalar la manguera de entrada.
<p>No hay desagüe porque la manguera de desagüe está plegada.</p> <p>Error OE</p>		<ul style="list-style-type: none"> • Vuelva a instalar la manguera de desagüe.

<p>El tapón ciego del triturador no se ha extraído.</p> <p>Error OE</p>		<ul style="list-style-type: none"> • Retire el tapón del triturador.
<p>El triturador o la trampa de aire están bloqueados por desechos.</p> <p>Error OE</p>		<ul style="list-style-type: none"> • Limpie el triturador o la trampa de aire.
<p>Problema en la conexión de la válvula de entrada y la manguera de desagüe causado por una instalación inadecuada.</p> <p>Fuga externa</p>		<ul style="list-style-type: none"> • Reinstale la manguera.
<p>Movimiento de la puerta o cierre comprometido debido a nivelación incorrecta.</p>		<ul style="list-style-type: none"> • Ajuste las patas de nivelación frontales inferiores a la altura requerida.
<p>No hay energía eléctrica debido a una conexión floja de la línea de alimentación o a un problema en el tomacorriente eléctrico.</p>		<ul style="list-style-type: none"> • Reconecte la línea de alimentación o repare el tomacorriente.
<p>Retiro, cableado eléctrico, fontanería.</p> <p>Instalación</p>		<ul style="list-style-type: none"> • Deberá pagar la instalación.

El costo de la reparación o el reemplazo en estas circunstancias excluidas estará a cargo del consumidor.

PARA OBTENER SERVICIO EN GARANTÍA E INFORMACIÓN ADICIONAL

Para obtener más información sobre el producto, visite el sitio web de LG en <http://www.lg.com>

Para obtener asistencia sobre el uso de este producto o para programar un servicio, comuníquese con LG Electronics al 1-800-243-0000.

Para obtener más información, escriba a: LG Electronics, 201 James Record Road, Huntsville, Alabama 35813



LG Customer Information Center

For inquiries or comments,
visit www.lg.com or call:

1-800-243-0000 U.S.A.

1-888-542-2623 CANADA

Register your product Online!

www.lg.com

