

OWNER'S MANUAL

CERAMIC-GLASS RADIANT COOKTOP

**Read this owner's manual thoroughly before operating the appliance
and keep it handy for reference at all times.**

LCE3010SB

LCE3610SB



MFL54169104_13

www.lg.com

Copyright © 2011 - 2019 LG Electronics Inc. All Rights Reserved.

INTRODUCTION

IMPORTANT SAFETY INFORMATION

Important Safety Precautions	3-7
------------------------------------	-----

COOKWARE TIPS

Selecting Cookware.....	8-9
-------------------------	-----

PARTS AND FEATURES

Parts and Features of Your Cooktop	10
Accessories	10
Touch Control Features	11

OPERATING INSTRUCTIONS

Before Using the Cooktop	12
Setting the Controls	12-14
Using the Warming Zone.....	14
Using the Triple Cooking Zones	15
Using the Dual Cooking Zones.....	15
Using Child Lock.....	16
Other Functions.....	16

CARE AND CLEANING

Cleaning the Cooktop	17
----------------------------	----

INSTALLATION INSTRUCTIONS

Before You Begin.....	18
Unpacking the Cooktop	18
Technical Specifications	19
Preparing the Installation Location	20
Dimensions and Clearances.....	21
Preparing the Installation Location	22
Dimensions and Clearances.....	23
Electrical Connections	24-26
Cooktop Installation.....	26-27
Final Check.....	27

TROUBLESHOOTING

Before Calling for Service.....	28-29
---------------------------------	-------

WARRANTY

Limited Warranty (USA)	30
Limited Warranty (CANADA)	32

THANK YOU!

Congratulations on your purchase and welcome to the LG family.

Your new LG RADIANT Cooktop combines precision cooking features with simple operation and stylish design. By following the operating and care instructions in this manual, your cooktop will provide you with many years of reliable service.

Product Registration Information

Model: _____

Serial Number: _____

Date of Purchase: _____

READ ALL INSTRUCTIONS BEFORE USE

You can download an owner's & installation manual at <http://www.lg.com>.

⚠ WARNING For your safety, the information in this manual must be followed to minimize the risk of fire, electric shock, or to prevent property damage, personal injury, or death.

SAFETY PRECAUTIONS

- **Proper Installation:** Be sure your appliance is properly installed and grounded by a qualified technician in accordance with the National Electrical Code ANSI/NFPA No. 70, latest edition in the United States, and all local code requirements. Install only per installation instructions.
- Do not attempt to repair or replace any part of your cooktop unless it is specifically recommended in this manual. All other service should be referred to a qualified technician.
- Remove all tape and packaging wrap before using the appliance. Destroy the carton and plastic bags after unpacking the appliance. Never allow children to play with packaging material.
- The safety aspects of this appliance comply with accepted technical standards.
- **Know how to disconnect the electrical power to the appliance at the circuit breaker or fuse box in case of an emergency.** Mark the breaker or fuse for ease of identification and swift action if necessary.
- **Do not repair or replace any part of the appliance.** All servicing should be done only by a qualified technician to avoid the risk of personal injury and damage to the appliance.
- **Never modify or alter the construction of an appliance such as removal of panels, wire covers or any other permanent part of the product.**
- **Storage on appliance: Flammable materials should not be stored near or on the cooking surface.** This includes paper, plastic and cloth items, such as cookbooks, plasticware and towels, as well as flammable liquids. Do not store explosives, such as aerosol cans, on or near the appliance. Flammable materials may explode and result in fire or property damage.
- **Do not leave children alone. Children should not be left alone or unattended in the area where an appliance is in use.** They should never be allowed to sit or stand on any part of the appliance.
- **Do not store or use gasoline or other flammable vapors and liquids in the vicinity of this or any other appliance.**

⚠ CAUTION

Items of interest to children should not be stored in cabinets above a cooktop or on the backsplash of a cooktop—children climbing on the cooktop to reach items could be seriously injured.

⚠ WARNING

Never use your appliance for warming or heating a room.

⚠ CAUTION

DO NOT touch Cooking Zones or areas near these surfaces. Cooking Zones may be hot from residual heat even though they are dark in color. Areas near the Cooking Zones may become hot enough to cause burns. During and after use, do not touch or let clothing or other flammable materials touch these areas until they have had sufficient time to cool.

⚠ CAUTION

Never wear loose fitting or hanging garments while using this appliance.

- Always turn off all controls when cooking is completed.
- Never allow children to set or stand on any parts of the appliance as they could be injured or burned.

IMPORTANT SAFETY INFORMATION

READ ALL INSTRUCTIONS BEFORE USE

SAFETY PRECAUTIONS (cont.)

- **Wear proper apparel. Loose-fitting or hanging garments should never be worn while using the appliance.** Do not let clothing or other flammable materials contact hot surfaces.
- **Do not use water or flour on grease fires.** Smother the fire with a pan lid, or use baking soda, a dry chemical or foam-type extinguisher.
- **When heating fat or grease, watch it closely.** Fat or grease may catch fire if allowed to become too hot.
- **Use only dry pot holders.** Moist or damp pot holders on hot surfaces may result in burns from steam. Do not let the pot holders touch hot surface units. Do not use a towel or other bulky cloth instead of a pot holder.
- **Do not heat unopened food containers.** Buildup of pressure may cause the container to burst and result in injury.

ELECTRICAL SAFETY

WARNING

- **If the surface is cracked, switch off the appliance to avoid the possibility of electric shock. Do not reuse your COOKTOP until the glass surface has been changed.**
- **When using the COOKTOP, never use aluminum foil, products wrapped in aluminum foil, or deep-frozen food in aluminum cookware.**
- **If the supply cord is damaged, it must be replaced by the manufacturer, its service agent or similarly qualified persons in order to avoid a hazard.**
- The installation and connection of the new appliance must only be carried out by qualified personnel.
- Flush-mounted appliances may only be operated following installation in suitable cabinets and workplaces which conform to the relevant standards. This ensures sufficient protection against electric shock as required by certification agencies.
- If your appliance malfunctions or fractures, switch off all cooking zones, and contact Service Center.

CHILD SAFETY

WARNING

- **This appliance is not intended for use by young children or infirm persons unless they have been adequately supervised by a responsible person to ensure that they can use the appliance safely.**
- **Young children should be supervised to ensure that they do not play with the appliance.**
- **Accessible parts may become hot during use. Young children should be kept away.**

READ ALL INSTRUCTIONS BEFORE USE

SAFETY DURING USE

- **This appliance may only be used for normal cooking and frying in the home.** It is not designed for commercial or industrial purposes.
- **Do not use the cooktop to heat the room.**
- **Take care when plugging in electric appliances near the cooktop.** Cords must not come into contact with the hot surface. This could cause damage to the cooktop and cable insulation.
- **Overheated fats and oils catch fire quickly.** You should supervise cooking when preparing foods in fat or oil.
- **After use, switch off the hob element by its control and do not rely on the pan detector.**
- **Always keep the control panels clean and dry.** Do not let liquids or grease remain on the cooktop controls area. Spilled or burnt-on foods can activate or deactivate the appliance. Clean the controls area thoroughly to resume normal operation of the appliance.
- **Never place combustible items on the cooktop.**
- **Never keep any combustible items or aerosol cans in a drawer located under the cooktop.**
- **Avoid placing metal cooking utensils on the cooking surface areas.** Metal objects can become hot and cause burns.
- **Know which touch keypad controls each surface of the cooking zones.**
- **Clean the appliance regularly to keep all parts free of grease that could catch fire.** Exhaust fan ventilation hoods and grease filters should be kept clean. Do not allow grease to accumulate on hood or filter. Greasy deposits in the fan could catch fire. Refer to hood manufacturer's instructions for cleaning.
- **Use Proper Pan Sizes.** This appliance is equipped with one or more surface units of different size. Select utensils having flat bottoms large enough to cover the surface unit heating element. The use of undersized utensils will expose a portion of the heating element to direct contact and may result in ignition of clothing. Proper relationship of utensil to burner will also improve efficiency.
- **If pan is smaller than element,** a portion of the element will be exposed to direct contact and could ignite clothing or potholder.
- **Do not place any object on or near the control keypad area in order to prevent accidental activation of the cooktop controls.**
- **Utensil Handles Should Be Turned Inward and Not Extend Over Adjacent Surface Units.**
To reduce the risk of burns, ignition of flammable materials, and spillage due to unintentional contact with the utensil, the handle of a utensil should be positioned so that it is turned inward, and does not extend over adjacent surface units.
- **Never leave prepared food on the Cooking Zones.** Boilovers cause smoking and greasy spillovers that may ignite, or a pan that has boiled dry may melt or become damaged.
- **Protective liners: Do not use aluminum foil to line any part of the cooktop.** Only use aluminum foil as recommended after the cooking process, if used as a cover to be placed over the food. Any other use of aluminum foil may result in the risk of electric shock, fire or short circuit.
- **Glazed cooking utensils: Only certain types of glass, glass/ceramic, ceramic, earthenware, or other glazed utensils are suitable for rangetop service without breaking due to the sudden change in temperature.** Check the manufacturer's recommendations for cooktop use.
- **Ventilating hood: The ventilating hood above your cooking surface should be cleaned frequently, so the grease from cooking vapors does not accumulate on the hood or filter.**
- **Do not clean or operate a broken cooktop.** If cooktop should break, cleaning solutions and spillovers may penetrate the broken cooktop and create a risk of electric shock. Contact a qualified technician immediately.
- **Clean cooktop with caution.** Do not use sponges or cloth to wipe spills on a hot cooking area. Use a proper metal scraper.

IMPORTANT SAFETY INFORMATION

SAFETY DURING USE (cont.)

- **Do not place hot cookware on cold cooktop glass.** This could cause glass to break.
- **Do not slide pans across the cooktop surface.** They may scratch the cooktop surface.
- **Do not let pans boil dry.** This may cause permanent damage in the form of breakage, fusion, or marking that can affect the ceramicglass cooktop. (This type of damage is not covered by your warranty.)
- **Never leave surface units unattended at high heat settings.** Boilover causes smoking and greasy spillovers that may ignite.
- Smother fire or flame in a pan with a lid or cookie sheet. **NEVER** pick up or move a flaming pan.
- Do not use water on grease fires. Use baking soda a dry chemical or foam-type extinguisher to smother fire or flame.
- **Always turn off all controls when cooking is completed.**
- **Be sure you know which control pads operate each surface unit.** Make sure you turned on the correct surface unit.
- **Use only dry potholders.** Moist or damp pot holders on hot surfaces may results in burns form steam. Do not let the pot holder touch hot heating elements. Do not use a towel or other bulky cloth.

SAFETY WHEN CLEANING

- **Always switch off the appliance before cleaning.**
- **For safety reasons, do not clean the appliance with a steam jet or high-pressure cleaner.**
- **Clean the cooktop in accordance with the maintenance and cleaning instructions in this manual.**
- **Steam cleaner is not to be used for cleaning of the cooktop.**
- **Do not use harsh abrasive cleaners or rough metal scrapers to clean the cooktop glass since they can scratch the surface, which may result in shattering of the glass.**
- **Clean CookTop With Caution.** Do not use sponges or cloth to wipe spills on a hot cooking area. Use a proper metal scraper.

COOK MEAT AND POULTRY THOROUGHLY

Cook meat and poultry thoroughly—meat to at least an INTERNAL temperature of 160°F and poultry to at least an INTERNAL temperature of 180°F. Cooking to these temperatures usually protects against foodborne illness.

HOW TO AVOID DAMAGE TO THE APPLIANCE

- Prior to using your cooktop for the first time, apply the recommended cooktop cleaning creme to the ceramic surface. Buff with a non-abrasive cloth or pad. This will make cleaning easier when soiled from cooking. The special cooktop cleaning cream leaves a protective finish on the glass to help prevent scratches and abrasions.
- Do not use the cooktop as a worksurface or storage space.
- Please be careful at the edges when moving pots and pans.
- Do not operate the cooking zones with empty pots or pans.
- Do not turn on the cooking zones with no pots or pans on the element.
- Ceramic glass is very tough, and impervious to sharp temperature changes but is not unbreakable. It can be damaged if hard or sharp objects fall on it.
- Be very cautious if using pots made of cast iron, or other pots with rough edges or burrs. Moving these can cause scratches on glass.
- If sugar or a mixture containing sugar falls onto a hot cooking zone and melts, remove immediately, while still hot. If left to cool down, it may damage the surface when removed.
- Do not slide metal or glass across the cooktop surface.
- Keep meltable objects or materials away from the ceramic glass surface, for example, plastic utensils, aluminum foil, or cooking wraps. If any materials or foodstuffs melt on the ceramicglass surface, these should be cleaned up immediately.

NOTE: There is a risk of burning yourself when the glass scraper is used on a hot cooking zone!

- Do not use cookware with any dirt build up on the bottom.
- Do not use cookware with rough or uneven bottoms. This cookware can mark and scratch the cooktop surface.
- Refer to the owners manual for proper cleaning and maintenance of the cooktop.
- **Do not use the glass cooktop surface as a cutting board.**
- **Never cook directly on the galss. Always use cookware.**

CAUTION

Burn Hazard: The Cooking Zones may appear cool when turned ON and after they have been turned OFF.

DISPOSAL OF OLD APPLIANCES

To protect the environment, it is important that worn-out appliances are disposed of in the correct manner.

- The appliance must not be disposed of with household rubbish.
- You can obtain information about collection dates or public refuse disposal sites from your local health council or environmental health office.

CAUTION

Before disposing of old appliances please make them inoperable so they cannot be a source of danger. To do this, have a qualified person disconnect the appliance from the house circuitry.

**READ AND FOLLOW THIS SAFETY INFORMATION CAREFULLY.
SAVE THESE INSTRUCTIONS**

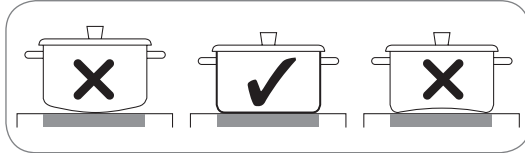
COOKWARE TIPS

SELECTING COOKWARE

POTS AND PANS

The better the pot, the better the cooking results.

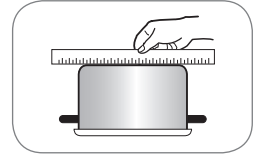
- You can recognize good pots and pans by their bases. The base should be as thick and flat as possible.



- Pots with aluminum or copper bases can cause metallic discoloring on the ceramic glass surface which is very difficult or impossible to remove.
- Be very careful when using cast iron pots or pots with damaged bases which are rough and or have burrs on them. Scratches can occur if they are slid across the surface.
- When cold, pot bases are normally bowed slightly inwards (concave). They should never be bowed outwards (convex).
- If you wish to use a special type of pan (e.g., a pressure cooker, simmering pan, wok), please follow the manufacturer's instructions and do not use a very thin pan.

USE FLAT-BOTTOMED COOKWARE

Cookware must fully contact the surface of the cooking element. Use flat-bottomed pans sized to fit the cooking element and amount of food being prepared. Check for flatness by rotating a ruler across the bottom of the cookware.



SELECTING COOKWARE (cont.)

AVOIDING SCRATCHES

It is recommended to always use heavier gauge stainless steel cookware on your ceramic cooktop surface. This will help reduce the possibility of developing scratches on the ceramic surface.

Low-quality cookware can scratch the cooktop surface.

Cookware should always be lifted over the ceramic cooktop surface to prevent scratching. Sliding any type of cookware over the ceramic cooktop can affect the overall appearance of the cooktop. Over time, sliding ANY type of cookware over the ceramic cooktop may alter the overall appearance of the cooktop. Eventually, the buildup of scratches can make cleaning the surface difficult and degrade the overall appearance of the cooktop.

Scratches can also result from grains of sand (e.g., after washing vegetables) which are dragged with the pot across the cooking surface.

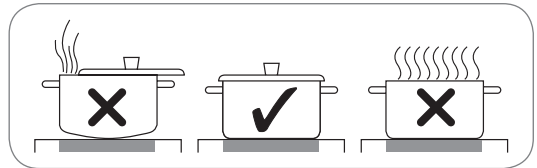
FOR BEST RESULTS:

Always follow the recommendations for proper cookware type and size. In addition:

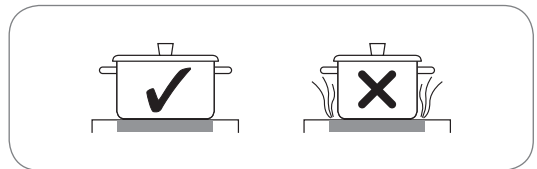
- Do not use dirty pans with grease buildup. Always use pans that are easy to clean after cooking, and make sure that the bottoms of the pans are clean and dry.
- When cooking with large amounts of liquid, use large pots so that nothing can boil over.
- Do not let pans boil dry. This may cause permanent damage in the form of breakage, fusion, or marring that can affect the ceramic cooktop. (This type of damage is not covered by your warranty.)
- Match the pan size and Cooking Zone to the amount of food being prepared.

TIPS FOR SAVING ENERGY:

- Always position pots and pans before you switch on the Cooking Zone.
- Dirty cooking zones and cookware use more electricity.
- Whenever possible, always have the lid firmly placed on the pots and pans so that they are completely covered.



- Switch off the cooking zones before the end of the cooking time to use the residual heat for keeping food warm or for melting purpose.
- The base of the pot should have the same size as the cooking zone.



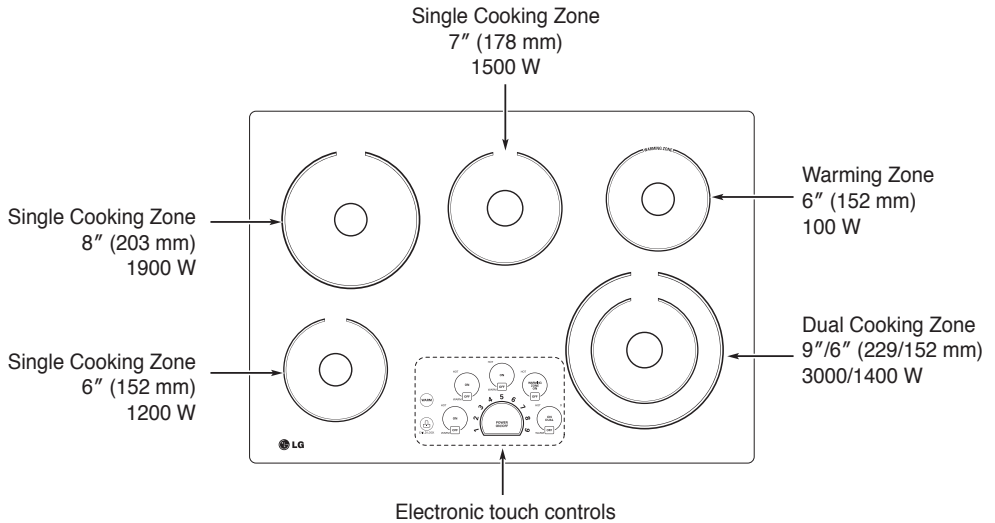
- Using a pressure cooker shortens the cooking times by up to 50%.

PARTS AND FEATURES

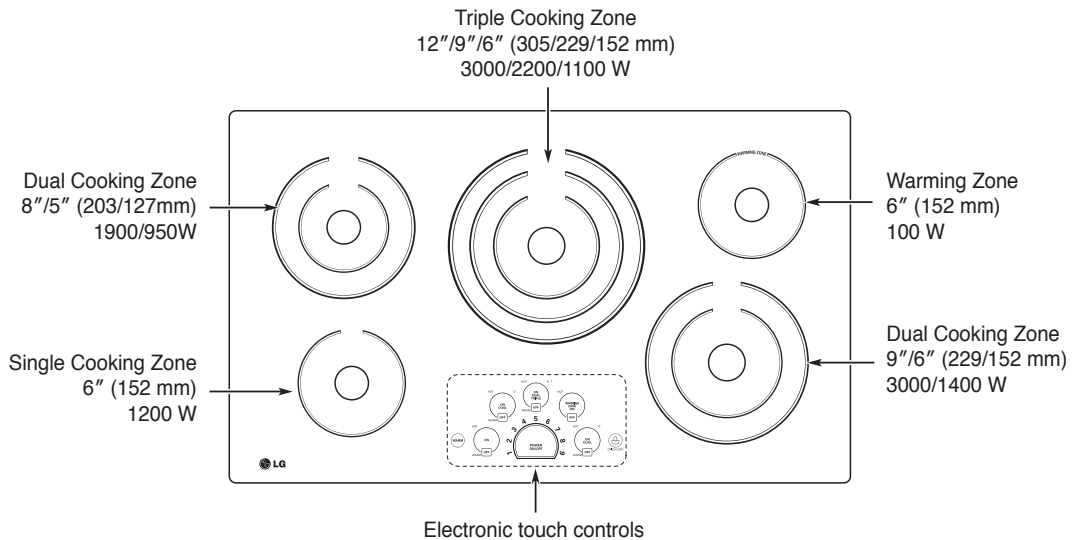
PARTS AND FEATURES OF YOUR COOKTOP

Throughout this manual, features and appearance may vary from your model.

LCE3010SB Radiant Cooktop



LCE3610SB Radiant Cooktop



ACCESSORIES



Cooktop Cleaner
(1ea)



Non-scratch scouring pad
(1ea)



Retainer brackets
(2ea)



Bolt
(2ea)

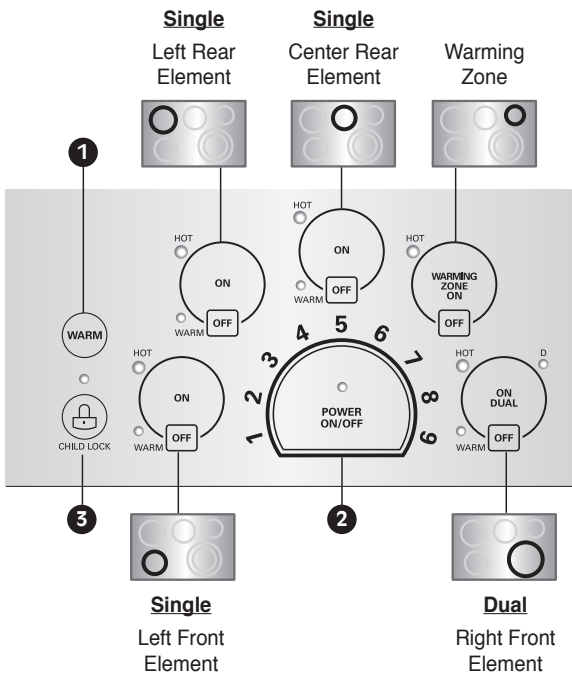
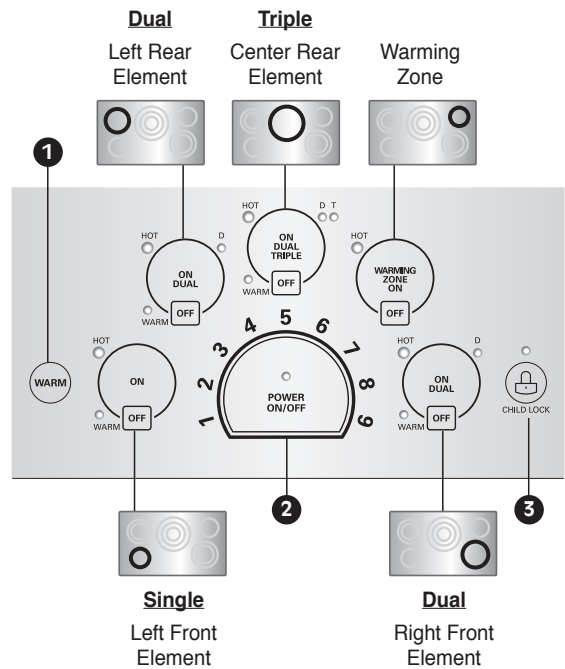


Bolt
(2ea)

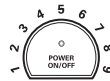
TOUCH CONTROL FEATURES

LOCATIONS OF SURFACE ELEMENTS AND CONTROLS

The surface burner elements are positioned in the same locations on the cooktop and the control panel for ease of use.

LCE3010SB Radiant Cooktop*LCE3610SB Radiant Cooktop*

- 1 WARM:** This pad lowers selected active element to the lowest setting.
- 2 POWER ON/OFF:** Touch the POWER ON/OFF pad to turn the entire cooktop ON and OFF. When it is ON, the cooktop is in standby mode until a Cooking Zone is activated.
- 3 CHILD LOCK:** Touch and hold for 3 seconds to activate and deactivate the child lockout function.



To set the element power level: Select the number on the element power settings for the active Cooking Zone to adjust the power level from 1 to 9.

Hot Surface Indicator: The indicator light below the HOT will illuminate when the cooking area is hot. It will remain on, even after the control is turned off, until the area has cooled.

OPERATING INSTRUCTIONS

BEFORE USING THE COOKTOP

Before using the cooktop for the first time, clean it thoroughly with the included cleaner or ceramic cooktop cleaner according to the Care and Cleaning instructions in this guide. This will help protect the ceramic surface and make future cleanup easier.

CAUTION

Never use scrub pads, abrasive or etching cleaners. They can cause permanent damage to the cooktop surface.

SETTING THE CONTROLS

To operate the touch control pads, touch the pad firmly with the flat part of your fingertip.

FIRST OPERATION

The first time that power is supplied to the cooktop, the display for the controls lights for 1 seconds.

If you don't turn on the cooktop within 1 hour after power is supplied to the cooktop, the display for the controls blinks.

ACTIVATING THE COOKTOP



To turn ON the cooktop, touch the **POWER ON/OFF** pad for approximately 2 seconds. The indicator above the pad will light.



To turn OFF the cooktop, touch the **POWER ON/OFF** pad. The indicator light above the pad will turn off.

NOTE: After turning on the cooktop with the POWER ON/OFF pad, you must select one of the Cooking Zones within 15 seconds using the Cooking Zone ON pad(s). If no selection is made, the cooktop will turn off for safety.

SELECTING THE COOKING ZONE



To select the desired Cooking Zone, touch the **ON** pad.



The display for the selected Cooking Zone will light. The power level indicator lights are blinking but no power level is set.

NOTE: Once the Cooking Zone has been selected with the ON pad, the power level must be selected within 10 seconds with the Element power settings. Otherwise, the Cooking Zone will turn off for safety.

SETTING THE CONTROLS (cont.)

SETTING THE POWER LEVEL

The power level for the selected Cooking Zone can be set from **1** to **9**.

To select the power level:

- 1 Select the number on the element power settings for the active Cooking Zone to adjust the power level from 1 to 9.
- 2 Selecting 7 will activate the Cook Zone. After activating the Cook Zone, the indicator lights will flash once and lock your selection.



NOTE: If power level is not selected, the Cooking Zone will turn off after 10 seconds.



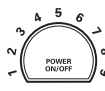
To readjust the power level:

- 1 Select Cooking Zone ON.
- 2 To change the Cooking Zone power, select the desired level. If power level is not selected after 10 seconds, the Cooking Zone power level will remain the same.



To turn OFF the Cooking Zone:

- 1 After the cooking is complete, touch the **OFF** pad to turn off the Cooking Zone.
- 2 The corresponding cooking zone display will turn off.
- 3 If the **POWER ON/OFF** pad is selected, all Cooking Zones will shut off.



WARNING

Your cooktop has a residual heat indicator for each Cooking Zone.

This indicator will warn that this area has been used and is still giving off enough heat to cause burns. Avoid touching the Cooking Zone when this indicator is shown. Although the cooktop is OFF, the light will stay lit until the cooktop has cooled down.

Setting	Function	Used for
9	Fast heating	Bringing liquids to a boil.
7-9	Heaving browning, deep fat frying	Browning meats, heating oil for deep-fat frying, sautéing, maintaining a fast boil for large amounts of liquids.
6-7	Roasting, frying	Frying meats, chops, pancakes, sausages, eggs.
4-5	Boiling, general cooking	Cooking larger quantities, soups and stews, steaming potatoes, cooking meat stock or bouillon.
3-4	Steaming	Steaming vegetables, braising meats.
2-3	Simmering	Simmering rice or milk-based dishes, steaming smaller quantities of potatoes and vegetables, heating ready-to-serve meals.
1-2 Warm	Melting	Fluffy omelettes, keeping dishes warm, melting butter or chocolate.

NOTE: These settings are recommended guidelines for cooking. You may need to adjust the power level for the type of food and pan.

OPERATING INSTRUCTIONS

SETTING THE CONTROLS (cont.)

WARM

The cooktop has a WARM setting feature that can be used on all Cooking Zone except the Warming Zone element.

To activate:

Touch the **ON** pad to activate the desired Cooking Zone and touch the WARM pad. The selected Cooking Zone will be set to the LOW setting. The indicator light above WARM will turn ON.



To change the power level:

Touch the **ON** pad and select a new number on the element power settings. The indicator light above WARM will turn OFF.

USING THE WARMING ZONE

WARMING ZONE

Use the Warming Zone to keep cooked foods warm, such as vegetables, gravies and oven-safe dinner plates.

To activate the warming zone:



Touch the **WARMING ZONE ON** pad. Set the desired power level on the element power settings.

NOTE:

- All foods should be covered with a lid or aluminum foil to maintain food quality.
- When warming pastries and bread, the cover should have an opening to allow moisture to escape.
- Do not use plastic wrap to cover foods. Plastic may melt on to the surface and be very difficult to clean.
- Use only cookware and dishes recommended as safe for cooktop use.
- Always use potholders when removing food from the Warming Zone as cookware and plates will be hot.
- Never warm food for longer than one hour (eggs for 30 minutes), as food quality may deteriorate.
- Do not heat cold food on the Warming Zone.
- The quantity and type of food being held may affect the required heat setting
- Do not use large utensils or large amounts of food as this may cause uneven heating.
- Always hold food at proper food temperatures. USDA recommends food temperatures between 140° - 170° F (except pastries).

Warming level guide

Settings	Used
1-2	Pastries Breads Breakfast Foods (Eggs) Delicate Foods
3-5	Soups (Cream) Stews Vegetables Meats
6-8	Sauces Gravies
9	Hot Beverages Soups (Liquid)

USING THE TRIPLE COOKING ZONES (LCE3610SB only)

The Triple Element, located in the center position, offers three different size elements to accommodate different pan sizes.



To Activate the Triple Cooking Zone



- 1 Touch the **ON** pad.
The inner most element will activate.
- 2 Touch the **ON** pad again to activate the center and middle areas (Dual Element).



The indicator light below the **D** (Dual) will turn ON.

- 3 Touch the **ON** pad again to activate the entire element (Triple Element).



The indicator light below the **D** (Dual) and **T** (Triple) will turn on.

- 4 Select the desired power level.

USING THE DUAL COOKING ZONES

The Dual Element, located in the right front position, offers two different size elements to accommodate different pan sizes. Use one or two sections of the element to accommodate different pan sizes.

LCE3010SB only



To Activate the Dual Cooking Zone



- 1 Touch the **ON** pad.
The inner most element will activate.
- 2 Touch the **ON** pad again to activate the entire element (Dual).



The indicator light below the **D** (Dual) will turn ON.

- 3 Select the desired power level.

LCE3610SB only



OPERATING INSTRUCTIONS

USING CHILD LOCK

You can lock the entire cooktop at any time when it is not in use. Locking the cooktop will prevent Cooking Zones from being turned on accidentally.

SETTING CHILD LOCK



The cooktop must be OFF to set the **CHILD LOCK** function. If it is not OFF, touch and hold the **POWER** pad for approximately 2 seconds. The indicator above the **POWER** pad will turn OFF.



Touch and hold the **CHILD LOCK** pad for 3 seconds. The indicator light above the **CHILD LOCK** pad will turn on to indicate that the cooktop is locked.

CANCELING CHILD LOCK



To turn off **CHILD LOCK**, touch and hold the **CHILD LOCK** pad for 3 seconds. The indicator light above the pad will go off and the cooktop can now be used normally.

OTHER FUNCTIONS

AUTOMATIC SHUTOFF

If a Cooking Zone is in constant use for more than 17 hours and the control setting is not changed, the Cooking Zone will shut off automatically.

AUTOMATIC POWER LEVEL CONTROL

The power level displayed may be different from the actual power level at the high temperature range. To prevent the cooktop from overheating, the power level is controlled automatically.

CLEANING THE COOKTOP

NORMAL DAILY USE CLEANING

ONLY use Ceramic Cooktop Cleaner on the glass cooktop. Other creams may not be as effective or they might damage the surface with scratches or permanent staining.

To maintain and protect the surface of your glass cooktop, follow these steps:

- 1 Before using the cooktop for the first time, clean it with Ceramic Cooktop Cleaner. This helps protect the top and makes cleanup easier.
- 2 Daily use of Ceramic Cooktop Cleaner will help keep the cooktop looking new.
- 3 Shake the cleaning cream well. Apply a few drops of Cleaner directly to the cooktop.
- 4 Use a paper towel clean the entire cooktop surface.
- 5 Rinse with clear water and use a dry cloth or paper towel to remove all cleaning residue.

NOTE:

It is very important that you **DO NOT** heat the cooktop until it has been cleaned thoroughly.

CAUTION

- **DO NOT** use scrub pads or abrasive cleaning pads.
 - They may damage your glass cooktop surface.
- **For your safety please wear an oven mitt potholder while cleaning the hot cooking surface.**

BURNED-ON RESIDUE

To clean the glass-ceramic

Step. 1

First remove any burnt-on deposits or spilled food from your glass-ceramic cooking surface with a suitable metal razor



scraper (similar to scraping paint off of your windowpanes in your home - it will not damage the decorated cooking surface). Hold the scraper at approximately a 30° angle to the cooktop.

NOTE: Do not use a dull or nicked blade. For your safety, please wear an oven mitt potholder while using the metal scraper.

Step. 2

When the cooking surface has cooled down, apply a few dabs (about the size of a dime) of a ceramic glass cooktop cleaner in each burner area and work the cleaning cream over the induction cooktop surface with a damp paper towel.



Step. 3

As a final step, clean with clear water and wipe the cooktop surface with a clean, dry paper towel.



Important: If any sugar or food containing sugar (preserves, ketchup, tomato sauce, jellies, fudge, candy, syrups, chocolate, etc.), a plastic item or kitchen foil accidentally melts on the hot surface of your cooktop, remove the molten material **IMMEDIATELY** with a metal razor scraper (it will **not** damage the decorated cooking surface) **while the cooking surface is still hot** to avoid the risk of damage to the glass-ceramic surface. **For your safety please wear an oven mitt potholder while cleaning the hot cooking surface.**

METAL MARKS AND SCRATCHES

- 1 Be careful not to slide pots and pans across your cooktop. It will leave metal markings on the cooktop surface. These marks are removable using the Ceramic Cooktop Cleaner with the Cleaning Pad for Ceramic Cooktops.
- 2 If pots with a thin overlay of aluminum or copper are allowed to boil dry, the overlay may leave black discoloration on the cooktop. This should be removed immediately before heating again or the discoloration may be permanent.

INSTALLATION INSTRUCTIONS

INSTALLATION INSTRUCTIONS AND SERVICE MUST BE PERFORMED BY A QUALIFIED INSTALLER.

IMPORTANT: SAVE THESE INSTRUCTIONS FOR LOCAL ELECTRICAL INSPECTOR'S USE. READ AND SAVE THESE INSTRUCTIONS FOR FUTURE REFERENCE.

BEFORE YOU BEGIN

Read these instructions completely and carefully.

NOTES TO INSTALLER:

- Read all instructions contained in these installation instructions before installing the cooktop.
- Remove all packing material before connecting the electrical supply to the cooktop.
- Observe all governing codes and ordinances.
- Only certain cooktop models may be installed over certain built-in electric oven models.
- Be sure to leave these instructions with the consumer.

NOTE TO CONSUMER:

Keep this User's Guide and Installation Instructions for future reference.

NOTE: This appliance must be properly grounded.

Damage caused by failure to follow these instructions is not covered by the cooktop warranty.

UNPACKING THE COOKTOP

- 1 Unpack and visually inspect the cooktop for any damage or missing components.
- 2 Be sure the bottle of cleaner and conditioner packed in the literature bag is left where the user can find it easily. It is important that the ceramic-glass cooktop be pretreated before use.
See *CARE AND CLEANING*.

TECHNICAL SPECIFICATIONS

LCE3010SB Radiant Cooktop

COOKTOP DIMENSIONS

Width	30-27/32" (783 mm)
Depth	21-15/32" (545 mm)
Height	4" (101.6 mm)

COOKING ZONES

Position	Diameter	Power
Front Left	6" (152 mm)	1200 W
Front Right	9"/6" (229/152 mm)	3000/1400 W
Rear Left	8" (203 mm)	1900 W
Rear Right	6" (152 mm)	100 W (Warm)
Center	7" (178 mm)	1500 W

COUNTERTOP CUTOUT DIMENSIONS

Width	29-3/8" (746 mm)
Depth	20-1/4" (515 mm)

ELECTRICAL SPECIFICATIONS

Connection voltage:

240/208 VAC 60 Hz.
32.1A/27.9 A

Maximum connected power load:

7700 W/5800 W

LCE3610SB Radiant Cooktop

COOKTOP DIMENSIONS

Width	36-11/16" (932 mm)
Depth	21-15/16" (557mm)
Height	4" (101.6 mm)

COOKING ZONES

Position	Diameter	Power
Front Left	6" (152mm)	1200 W
Front Right	9"/6" (229/152 mm)	3000/1400 W
Rear Left	8"/5" (203/127mm)	1900/950W
Rear Right	6" (152 mm)	100 W (Warm)
Center	12"/9"/6" (305/229/152 mm)	3000/2200/1100 W

COUNTERTOP CUTOUT DIMENSIONS

Width	34-9/16" (878 mm)
Depth	20-3/8" (517 mm)

ELECTRICAL SPECIFICATIONS

Connection voltage:

240/208 VAC 60 Hz.
38.3/33.2 A

Maximum connected power load:

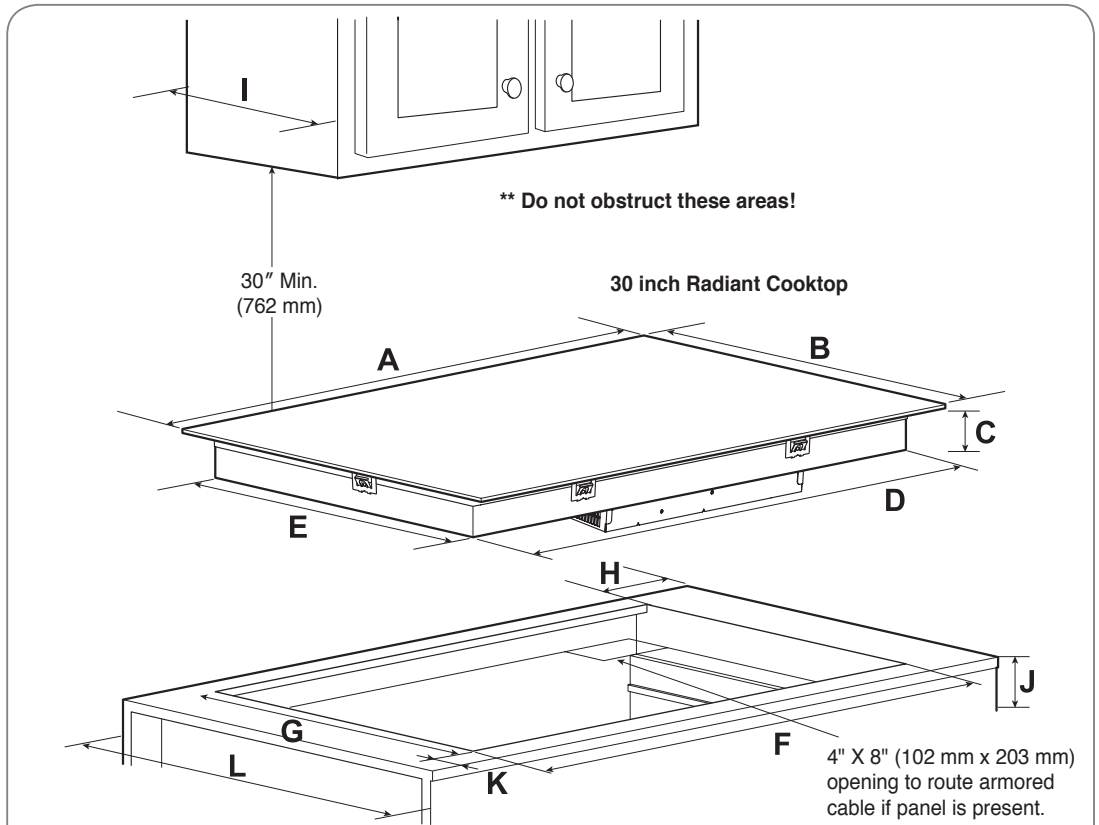
9200/6900 W

INSTALLATION INSTRUCTIONS

PREPARING THE INSTALLATION LOCATION

IMPORTANT INSTALLATION INFORMATION

- All electric cooktops run off a single phase, three-wire or four-wire cable, 240/208 volt, 60 hertz, AC-only electrical supply with ground.
- Minimum distance between cooktop and overhead cabinetry is 30" (762 mm).
- Make sure the cabinets and wall coverings around the cooktop can withstand the temperatures (up to 93°C [200°F]) generated by the cooktop.



LCE3010SB Radiant Cooktop

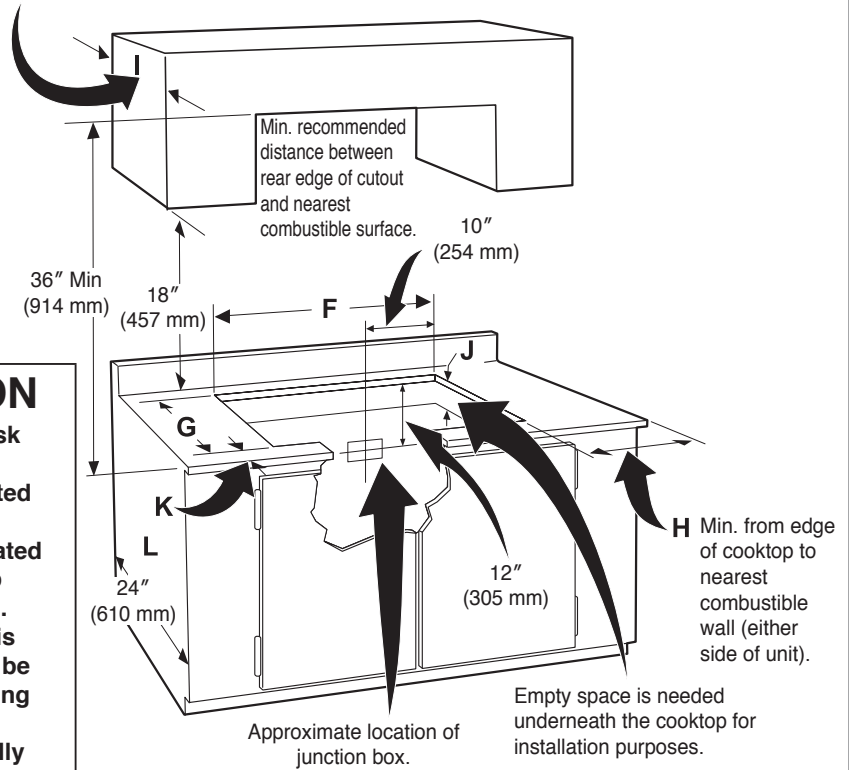
Unit	A	B	C	D	E	F	G	H	I	J	K	L
						Min	Min		Max	Min		
Inch	30-27/32	21-15/32	3-3/4	28-13/16	19-5/8	29-3/8	20-1/4	13/16	13	5-23/32	2-1/2	24
mm	783	545	95	732	498	746	515	20	330	145	64	610

All dimensions are stated in inches and millimeters (mm).

Allow 2" (50 mm) space below the armored cable opening to clear the electric cable and allow space for installation of the junction box on the wall at the back of the cooktop.

DIMENSIONS AND CLEARANCES

Overhead cabinet should not exceed a maximum depth of 13" (330 mm).



CAUTION

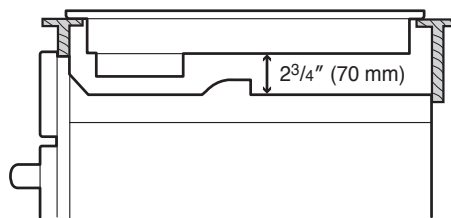
To eliminate the risk of burns or fire by reaching over heated surfaces, cabinet storage space located above the cooktop should be avoided. If cabinet storage is provided, risk can be reduced by installing a range hood that projects horizontally a minimum of 5" (127 mm) beyond the face of the cabinets.

Model	H	K
LCE3010SB	3-3/4" (95 mm)	2-1/2" (64 mm)

CAUTION

It is very important to keep 2³/₄" (70 mm) distance between the cooktop and the oven.

Recommend space cooktop and oven

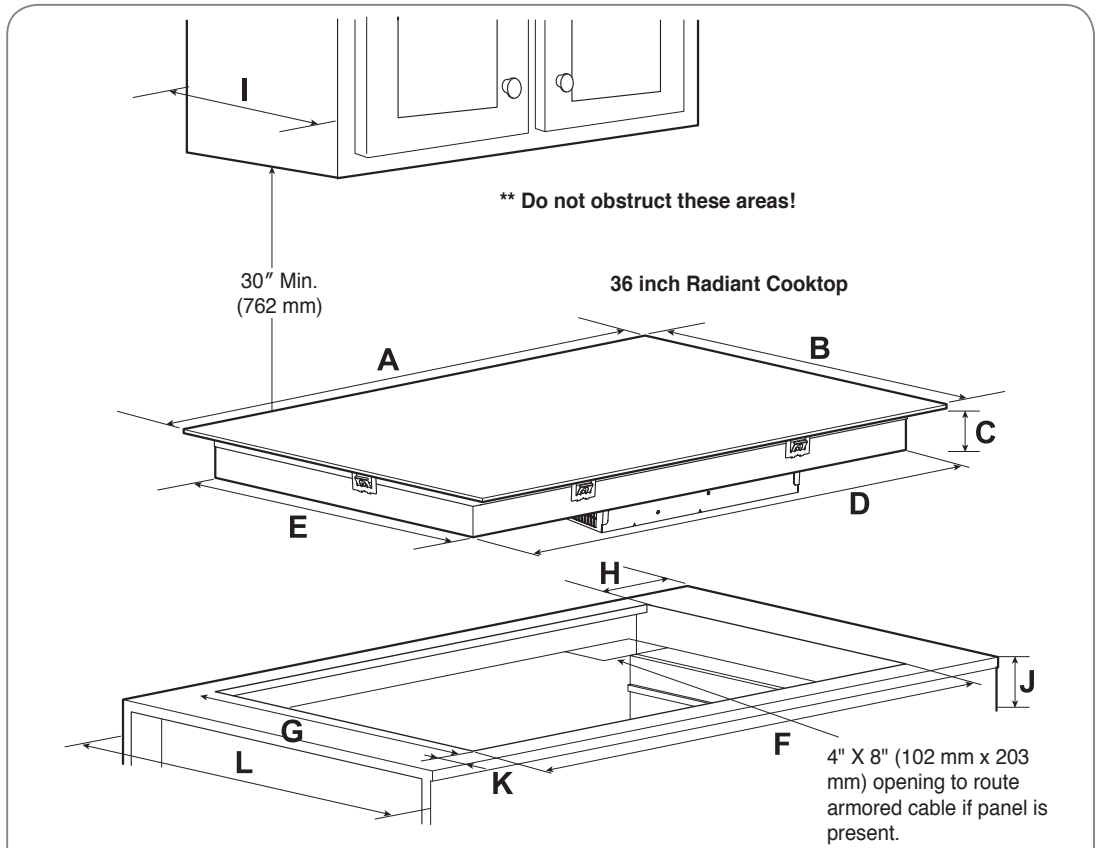


INSTALLATION INSTRUCTIONS

PREPARING THE INSTALLATION LOCATION

IMPORTANT INSTALLATION INFORMATION

- All electric cooktops run off a single phase, three-wire or four-wire cable, 240/208 volt, 60 hertz, AC-only electrical supply with ground.
- Minimum distance between cooktop and overhead cabinetry is 30" (762 mm).
- Make sure the cabinets and wall coverings around the cooktop can withstand the temperatures (up to 93°C [200°F]) generated by the cooktop.



LCE3610SB Radiant Cooktop

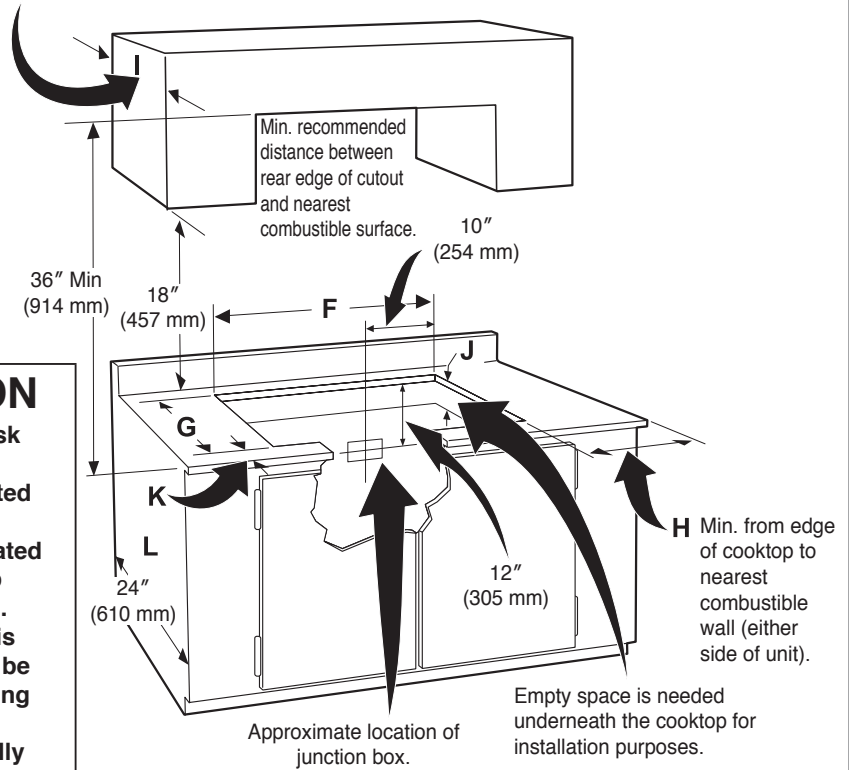
Unit	A	B	C	D	E	F	G	H	I	J	K	L
						Min	Min		Max	Min		
Inch	36-11/16	21-15/16	3-3/4	33-27/32	19-25/32	34-9/16	20-3/8	13/16	13	5-23/32	2-1/2	24
mm	932	557	95	860	502	878	517	20	330	145	64	610

All dimensions are stated in inches and millimeters (mm).

Allow 2" (50 mm) space below the armored cable opening to clear the electric cable and allow space for installation of the junction box on the wall at the back of the cooktop.

DIMENSIONS AND CLEARANCES

Overhead cabinet should not exceed a maximum depth of 13" (330 mm).



CAUTION

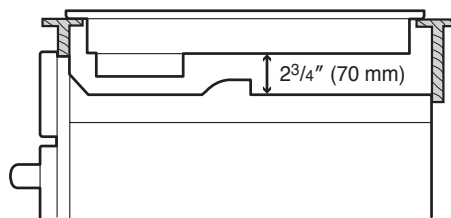
To eliminate the risk of burns or fire by reaching over heated surfaces, cabinet storage space located above the cooktop should be avoided. If cabinet storage is provided, risk can be reduced by installing a range hood that projects horizontally a minimum of 5" (127 mm) beyond the face of the cabinets.

Model	H	K
LCE3610SB	3-3/4" (95 mm)	2-1/2" (64 mm)

CAUTION

It is very important to keep 2 3/4" (70 mm) distance between the cooktop and the oven.

Recommend space cooktop and oven



INSTALLATION INSTRUCTIONS

ELECTRICAL CONNECTIONS

IMPORTANT SAFETY INSTRUCTIONS

- Be sure your cooktop is installed and grounded properly by a qualified installer or service technician.
- This cooktop must be electrically grounded in accordance with local codes or, in their absence, with the National Electrical Code ANSI/NFPA No. 70, latest edition in the United States.

WARNING

The electrical power to the cooktop must be shut off while line connections are being made. Failure to do so could result in serious injury or death.

PROVIDING THE ELECTRICAL CONNECTION

Install the junction box under the cabinet and run 120/240 or 120/208 volt, AC wire from the main circuit panel.

NOTE: DO NOT connect the wire to the circuit panel at this time.

ELECTRICAL REQUIREMENTS

Observe all governing codes and local ordinances.

- 1 A 3-wire or 4-wire single-phase 120/240 or 120/208 volt, 60 Hz AC-only electrical supply is required on a separate circuit fused on both sides of the line (time-delay fuse or circuit breaker is recommended). DO NOT fuse neutral. The fuse size must not exceed the circuit rating of the appliance specified on the nameplate.
- 2 36" Radiant cooktop can consume up to 9200W at 240 VAC. A 50 Amp circuit breaker with wire guage #8 AWG must be used. 30" Radiant cooktop can consume up to 7700 W at 240 VAC. A 40 Amp circuit breaker with wire guage #8 AWG must be used.
- 3 The appliance should be connected to the fused disconnect (or circuit breaker) box through flexible armored or nonmetallic sheathed cable. The flexible armored cable extending from this appliance should be connected directly to the grounded junction box. The junction box should be located as shown on page 21 or 23 with as much slack as possible remaining in the cable between the box and the appliance, so it can be moved if servicing is ever necessary.
- 4 A suitable strain relief must be provided to attach the flexible armored cable to the junction box.

NOTE: Wire sizes and connections must conform with the fuse size and rating of the appliance in accordance with the National Electrical Code ANSI/NFPA No. 70, latest edition, and local codes and ordinances.

WARNING

An extension cord must not be used with this appliance. Such use may result in a fire, electrical shock, or other personal injury.

ELECTRICAL CONNECTIONS (cont.)

ELECTRICAL CONNECTION

Connect the flexible armored cable that extends from the surface unit to the junction box using a suitable strain relief at the point the armored cable enters the junction box. Then make the electrical connection as follows.

Electrical ground is required on this appliance.

This appliance is manufactured with a supply wire and a frame connected green or bare copper grounding wire.

NOTE TO ELECTRICIAN:

The armored cable leads supplied with the appliance are UL-listed for connection to larger gauge household wiring. The insulation of the leads is rated at temperatures much higher than the temperature rating of household wiring. The current-carrying capacity of the conductor wire is governed by the temperature rating of the insulation around the wire, rather than the wire gauge alone.

⚠ WARNING

DO NOT ground to a gas supply pipe. DO NOT connect to electrical power supply until appliance is permanently grounded. Connect the ground wire before turning on the power.

⚠ WARNING

This appliance is equipped with a copper conductor flexible cable. If connection is made to aluminum house wiring, use only special connectors which are approved for joining copper and aluminum wires in accordance with the National Electrical Code and local codes and ordinances. Improper connection of aluminum house wiring to copper leads can result in a short circuit or fire. Follow the connector manufacturer's recommended procedure closely.

WHERE LOCAL CODES PERMIT CONNECTING THE APPLIANCE-GROUNDING CONDUCTOR TO THE NEUTRAL (WHITE) WIRE

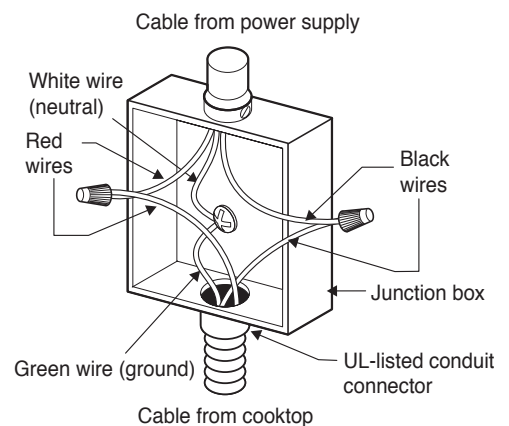
Observe all governing codes and local ordinances.

- 1 Disconnect the power supply.
- 2 At the circuit breaker box, fuse box or junction box, connect appliance and power supply cable wires as shown.

⚠ WARNING

You may not ground the cooktop through the neutral (white) wire if cooktop is used in a new branch circuit installation (1996 NEC), mobile home, recreational vehicle, or where local codes do not permit grounding to the neutral (white) wire. When grounding to the neutral (white) wire is prohibited, you must use a 4-wire power supply cable. Failure to heed this warning may result in electrocution or other serious personal injury.

3-WIRE GROUNDED JUNCTION BOX



INSTALLATION INSTRUCTIONS

ELECTRICAL CONNECTIONS (cont.)

IF COOKTOP IS USED IN A NEW BRANCH CIRCUIT INSTALLATION (1996 NEC), MOBILE HOME, RECREATIONAL VEHICLE, OR WHERE LOCAL CODES DO NOT PERMIT GROUNDING TO THE NEUTRAL (WHITE) WIRE

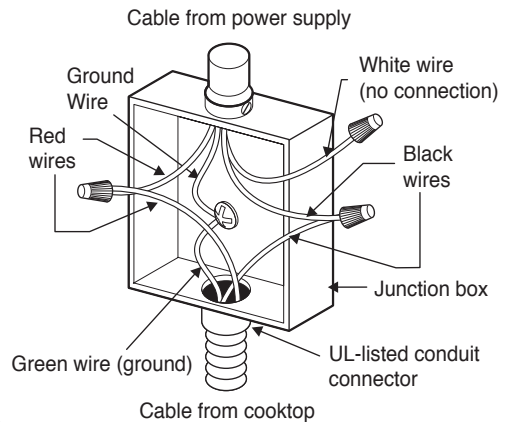
Observe all governing codes and local ordinances.

- 1 Disconnect the power supply.
- 2 At the circuit breaker box, fuse box or junction box, connect appliance and power supply cable wires as shown.

⚠ WARNING

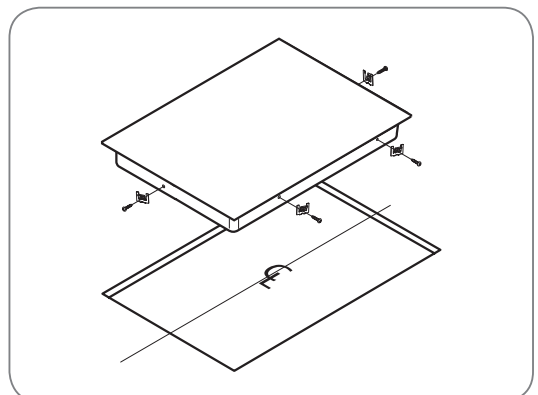
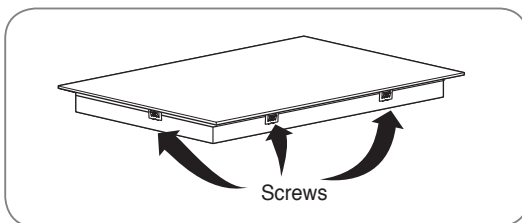
If connecting to a 4-wire power supply cable electrical system, the appliance frame connected ground wire **MUST NOT** be connected to the neutral wire of the 4-wire electrical system.

4-WIRE GROUNDED JUNCTION BOX



COOKTOP INSTALLATION

- 1 Visually inspect the cooktop for damage. Make sure all cooktop screws are tight (see below for locations).
 - 2 Carefully lower the cooktop into the countertop cutout, making sure not to trap any wires.
- NOTE:** Do not use caulking compound. The cooktop must be removable, should service be required.

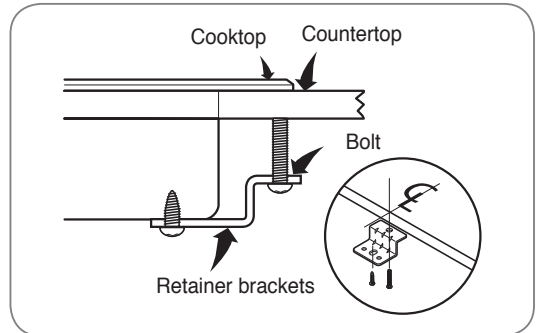
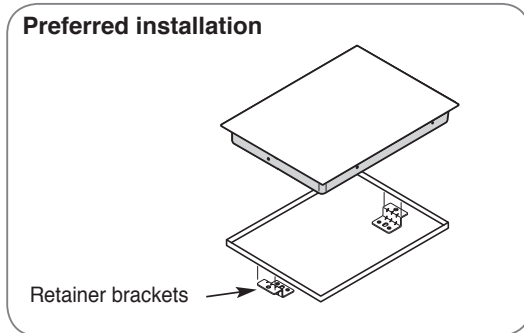


COOKTOP INSTALLATION (cont.)

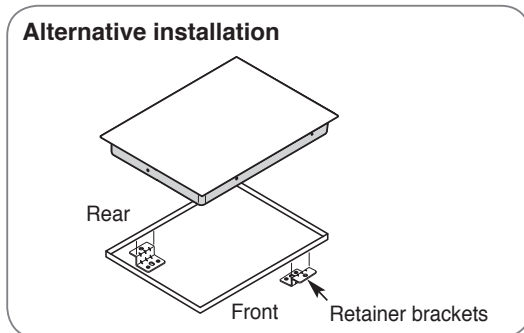
- Install the retainer brackets to the bottom of the cooktop; then snug the bolts against the bottom of the countertop as shown.

NOTE: The retainer brackets **MUST** be installed to meet local codes or, in their absence, with the National Electrical Code ANSI/NFPA No. 70, latest edition.

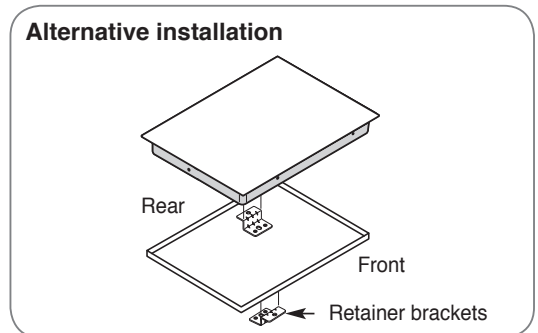
LCE3010SB / LCE3610SB Radiant Cooktop



LCE3010SB Radiant Cooktop



LCE3610SB Radiant Cooktop



FINAL CHECK

Perform a final operational check of the cooktop, making sure the cooktop powers on properly and that each Cooking Zone operates correctly. Refer to the Operating Instructions in this guide for details.

CAUTION

Do not touch cooktop glass or Cooking Zones. They may be hot enough to cause burns.

MODEL AND SERIAL NUMBER LOCATION

The model and serial numbers are located on a plate on the bottom of the cooktop. Please record them in this guide; you will need them for warranty registration.





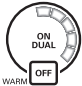
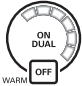
TROUBLESHOOTING

BEFORE CALLING FOR SERVICE

Before you call for service, review this list. It may save you time and expense. This list includes common occurrences that are not the result of a defect in workmanship or materials.

Problem	Possible Causes	Solutions
Cooktop does not work	<ul style="list-style-type: none">• Cooktop controls are locked.• Circuit breaker has tripped or fuse is blown.• Power outage.• Installation wiring not complete.	<ul style="list-style-type: none">• See USING CHILD LOCK to turn off the CHILD LOCK feature.• Reset the circuit breaker.• Check house lights to confirm power outage.• Contact the installer or dealer.
Cooktop does not heat	<ul style="list-style-type: none">• Incorrect Cooking Zone selected.• No power to cooktop.	<ul style="list-style-type: none">• Make sure the correct control is ON for the Cooking Zone being used.• See “Cooktop does not work” above.
Elements turns off while cooking.	<ul style="list-style-type: none">• Cooktop inner temperature too High.	<ul style="list-style-type: none">• Check that cooktop has been installed According to the installation instructions.
Elements do not get hot enough.	<ul style="list-style-type: none">• Touch controls may not be set properly.• Cookware may not be shape or flat or the correct size.	<ul style="list-style-type: none">• Check the power level.• Use the recommended cookware. See the page 8-9.
A fan sound can be heard.	<ul style="list-style-type: none">• Cooktop inner temperature is High.	<ul style="list-style-type: none">• This is normal. The cooling fan will run when any element is turned on. With the heavy use the fan may continue to run after the controls are turned off until the cooktop has cooled.

BEFORE CALLING FOR SERVICE

Problem	Possible Causes	Solutions
Flashing 	<ul style="list-style-type: none"> There is a fault with thermistor or Micom. 	<ul style="list-style-type: none"> Turn the cooktop off using the Power ON/OFF. Turn cooktop back on using the Power ON/OFF.
Flashing 		
Flashing 		
Flashing 	<ul style="list-style-type: none"> Food spill/soil on touchpads. Object placed on touchpad. Touch time is long. 	<ul style="list-style-type: none"> Clean the surface. Remove object from the touch pad. If any one of the keys is touched for more than 10 seconds continuously, this error will be displayed. If water or a metal object is placed on the touchpad this error will be displayed. Turn the cooktop off using the Power ON/OFF. Turn cooktop back on using the Power ON/OFF.
Flashing 	<ul style="list-style-type: none"> There is a fault with Display. 	<ul style="list-style-type: none"> Turn the cooktop off using the Power ON/OFF. Turn cooktop back on using the Power ON/OFF.
Flashing 	<ul style="list-style-type: none"> Low voltage detection 	<ul style="list-style-type: none"> This represents low voltage to the cooktop. Call a licensed electrician.

LIMITED WARRANTY (USA)

ARBITRATION NOTICE: THIS LIMITED WARRANTY CONTAINS AN ARBITRATION PROVISION THAT REQUIRES YOU AND LG TO RESOLVE DISPUTES BY BINDING ARBITRATION INSTEAD OF IN COURT, UNLESS YOU CHOOSE TO OPT OUT. IN ARBITRATION, CLASS ACTIONS AND JURY TRIALS ARE NOT PERMITTED. PLEASE SEE THE SECTION TITLED "PROCEDURE FOR RESOLVING DISPUTES" BELOW.

Should your LG Radiant Cooktop ("Product") fail due to a defect in materials or workmanship under normal and proper use, during the warranty period set forth below, LG Electronics ("LG") will, at its option, repair or replace the Product. This limited warranty is valid only to the original retail purchaser of the Product and applies only when purchased and used within the United States including U.S. Territories.

Warranty Period	Scope of Warranty	HOW SERVICE IS HANDLED
One (1) year from date of original retail purchase	Parts and Labor (internal / functional parts only)	LG will provide, free of charge, all labor and in-home service to replace defective part(s).

- Replacement products and parts are warranted for the remaining portion of the original warranty period or ninety (90) days, whichever is greater.
- Replacement products and parts may be new, reconditioned, refurbished, or otherwise factory remanufactured.
- Proof of original retail purchase specifying the Product model and date of purchase is required to obtain warranty service under this limited warranty.

EXCEPT TO THE EXTENT PROHIBITED BY APPLICABLE LAW, ANY IMPLIED WARRANTY OF MERCHANTABILITY OR FITNESS FOR A PARTICULAR PURPOSE ON THE PRODUCT IS LIMITED IN DURATION TO THE DURATION OF THE ABOVE LIMITED WARRANTY. UNDER NO CIRCUMSTANCES SHALL LG OR ITS U.S. DISTRIBUTORS/DEALERS BE LIABLE FOR ANY INDIRECT, INCIDENTAL, CONSEQUENTIAL, SPECIAL, OR PUNITIVE DAMAGES, INCLUDING, WITHOUT LIMITATION, LOST GOODWILL, LOST REVENUES OR PROFITS, WORK STOPPAGE, IMPAIRMENT OF OTHER GOODS, COST OF REMOVAL AND REINSTALLATION OF THE PRODUCT, LOSS OF USE, OR ANY OTHER DAMAGES WHETHER BASED IN CONTRACT, TORT, OR OTHERWISE. LG'S TOTAL LIABILITY, IF ANY, SHALL NOT EXCEED THE PURCHASE PRICE PAID BY YOU FOR THE PRODUCT.

Some states do not allow the exclusion or limitation of incidental or consequential damages or limitations on how long an implied warranty lasts, so the above exclusions or limitations may not apply to you. This limited warranty gives you specific legal rights and you may also have other rights that vary from state to state.

THIS LIMITED WARRANTY DOES NOT COVER:

- Service trips to deliver, pick up, or install, educate how to operate, correct wiring, or correct unauthorized repairs.
- Damage or failure of the Product to perform during power failures and interrupted or inadequate electrical service.
- Damage or failure resulting from operating the Product in a corrosive atmosphere or contrary to the Product owner's manual.
- Damage or failure to the Product caused by accidents, pests and vermin, lightning, wind, fire, floods, acts of God, or any other causes beyond the control of LG.
- Damage or failure caused by unauthorized modification or alteration, or if used for other than the intended purpose.
- Damage or failure resulting from misuse, abuse, improper installation, repair, or maintenance. Improper repair includes use of parts not authorized by LG. Improper installation or maintenance includes installation or maintenance contrary to the Product owner's manual.
- Damage or failure caused by incorrect electrical current, voltage, or ventilation/plumbing codes.
- Damage or failure caused by transportation and handling, including scratches, dents, chips, and/or other damage to the finish of the Product, unless such damage is reported within one (1) week of delivery.
- Damage or missing items to any display, open box, or discounted Product.
- Refurbished Product or any Product sold "As Is", "Where Is", "With all Faults", or similar disclaimer.
- Products with original serial numbers that have been removed, altered, or cannot be readily determined.
- Increases in utility costs and additional utility expenses.
- Any noises associated with normal operation.
- Use of accessories, components, or consumable cleaning products that are not authorized by LG.
- Replacement of light bulbs, filters, or any consumable parts.
- When Product is used for other than normal and proper household use (e.g. commercial or industrial use, offices, and recreational facilities or vehicles) or contrary to the Product's owner's manual.
- Costs associated with removal and reinstallation of your Product for repairs.
- Shelves, drawers and accessories, except for internal/functional parts covered under this limited warranty.

The cost of repair or replacement under the above excluded circumstances shall be borne by the consumer.

TO OBTAIN WARRANTY SERVICE AND ADDITIONAL INFORMATION

Call 1-800-243-0000 and select the appropriate option from the menu.

Or visit our website at <http://www.lg.com>

Or by mail: LG Electronics Customer Service P.O. Box 240007 Huntsville, AL 35813 ATTN: CIC

PROCEDURE FOR RESOLVING DISPUTES:

ALL DISPUTES BETWEEN YOU AND LG ARISING OUT OF OR RELATING IN ANY WAY TO THIS LIMITED WARRANTY OR THE PRODUCT SHALL BE RESOLVED EXCLUSIVELY THROUGH BINDING ARBITRATION, AND NOT IN A COURT OF GENERAL JURISDICTION. BINDING ARBITRATION MEANS THAT YOU AND LG ARE EACH WAIVING THE RIGHT TO A JURY TRIAL AND TO BRING OR PARTICIPATE IN A CLASS ACTION.

Definitions. For the purposes of this section, references to “LG” mean LG Electronics U.S.A., Inc., its parents, subsidiaries and affiliates, and each of their officers, directors, employees, agents, beneficiaries, predecessors in interest, successors, assigns and suppliers; references to “dispute” or “claim” shall include any dispute, claim or controversy of any kind whatsoever (whether based in contract, tort, statute, regulation, ordinance, fraud, misrepresentation or any other legal or equitable theory) arising out of or relating in any way to the sale, condition or performance of the product or this Limited Warranty.

Notice of Dispute. In the event you intend to commence an arbitration proceeding, you must first notify LG in writing at least 30 days in advance of initiating the arbitration by sending a letter to LG at LG Electronics, USA, Inc. Attn: Legal Department- Arbitration 1000 Sylvan Ave, Englewood Cliffs 07632. You and LG agree to engage in good faith discussions in an attempt to amicably resolve your claim. The notice must provide your name, address, and telephone number; identify the product that is the subject of the claim; and describe the nature of the claim and the relief being sought. If you and LG are unable to resolve the dispute within 30 days, either party may proceed to file a claim for arbitration.

Agreement to Binding Arbitration and Class Action Waiver. Upon failure to resolve the dispute during the 30 day period after sending written notice to LG, you and LG agree to resolve any claims between you only by binding arbitration on an individual basis, unless you opt out as provided below. Any dispute between you and LG shall not be combined or consolidated with a dispute involving any other person’s or entity’s product or claim. More specifically, without limitation of the foregoing, any dispute between you and LG shall not under any circumstances proceed as part of a class or representative action. Instead of arbitration, either party may bring an individual action in small claims court, but that small claims court action may not be brought on a class or representative basis.

Arbitration Rules and Procedures. To begin arbitration of a claim, either you or LG must make a written demand for arbitration. The arbitration will be administered by the American Arbitration Association (“AAA”) and will be conducted before a single arbitrator under the AAA’s Consumer Arbitration Rules that are in effect at the time the arbitration is initiated (referred to as the “AAA Rules”) and under the procedures set forth in this section. The AAA Rules are available online at www.adr.org/consumer. Send a copy of your written demand for arbitration, as well as a copy of this provision, to the AAA in the manner described in the AAA Rules. You must also send a copy of your written demand to LG at LG Electronics, USA, Inc. Attn: Legal Department- Arbitration 1000 Sylvan Avenue Englewood Cliffs, NJ 07632. If there is a conflict between the AAA Rules and the rules set forth in this section, the rules set forth in this section will govern. This arbitration provision is governed by the Federal Arbitration Act. Judgment may be entered on the arbitrator’s award in any court of competent jurisdiction. All issues are for the arbitrator to decide, except that issues relating to the scope and enforceability of the arbitration provision and to the arbitrability of the dispute are for the court to decide. The arbitrator is bound by the terms of this provision.

Governing Law. The law of the state of your residence shall govern this Limited Warranty and any disputes between us except to the extent that such law is preempted by or inconsistent with applicable federal law.

Fees/Costs. You do not need to pay any fee to begin an arbitration. Upon receipt of your written demand for arbitration, LG will promptly pay all arbitration filing fees to the AAA unless you seek more than \$25,000 in damages, in which case the payment of these fees will be governed by the AAA Rules. Except as otherwise provided for herein, LG will pay all AAA filing, administration and arbitrator fees for any arbitration initiated in accordance with the AAA Rules and this arbitration provision. If you prevail in the arbitration, LG will pay your attorneys’ fees and expenses as long as they are reasonable, by considering factors including, but not limited to, the purchase amount and claim amount. Notwithstanding the foregoing, if applicable law allows for an award of reasonable attorneys’ fees and expenses, an arbitrator can award them to the same extent that a court would. If the arbitrator finds either the substance of your claim or the relief sought in the demand is frivolous or brought for an improper purpose (as measured by the standards set forth in Federal Rule of Civil Procedure 11(b)), then the payment of all arbitration fees will be governed by the AAA Rules. In such a situation, you agree to reimburse LG for all monies previously disbursed by it that are otherwise your obligation to pay under the AAA Rules. Except as otherwise provided for, LG waives any rights it may have to seek attorneys’ fees and expenses from you if LG prevails in the arbitration.

Hearings and Location. If your claim is for \$25,000 or less, you may choose to have the arbitration conducted solely on the basis of (1) documents submitted to the arbitrator, (2) through a telephonic hearing, or (3) by an in-person hearing as established by the AAA Rules. If your claim exceeds \$25,000, the right to a hearing will be determined by the AAA Rules. Any in-person arbitration hearings will be held at a location within the federal judicial district in which you reside unless we both agree to another location or we agree to a telephonic arbitration.

Opt Out. You may opt out of this dispute resolution procedure. If you opt out, neither you nor LG can require the other to participate in an arbitration proceeding. To opt out, you must send notice to LG no later than 30 calendar days from the date of the first consumer purchaser’s purchase of the product by either: (i) sending an e-mail to optout@lge.com, with the subject line: “Arbitration Opt Out” or (ii) calling 1-800-980-2973. You must include in the opt out e-mail or provide by telephone: (a) your name and address; (b) the date on which the product was purchased; (c) the product model name or model number; and (d) the serial number (the serial number can be found (i) on the product; or (ii) online by accessing <https://www.lg.com/us/support/repair-service/schedule-repair-continued> and clicking on “Find My Model & Serial Number”).

You may only opt out of the dispute resolution procedure in the manner described above (that is, by e-mail or telephone); no other form of notice will be effective to opt out of this dispute resolution procedure. Opting out of this dispute resolution procedure will not affect the coverage of the Limited Warranty in any way, and you will continue to enjoy the full benefits of the Limited Warranty. If you keep this product and do not opt out, then you accept all terms and conditions of the arbitration provision described above.

LIMITED WARRANTY (CANADA)

ARBITRATION NOTICE: THIS LIMITED WARRANTY CONTAINS AN ARBITRATION PROVISION THAT REQUIRES YOU AND LG TO RESOLVE DISPUTES BY BINDING ARBITRATION INSTEAD OF IN COURT, UNLESS THE LAWS OF YOUR PROVINCE OR TERRITORY DO NOT PERMIT THAT, OR, IN OTHER JURISDICTIONS, IF YOU CHOOSE TO OPT OUT. IN ARBITRATION, CLASS ACTIONS AND JURY TRIALS ARE NOT PERMITTED. PLEASE SEE THE SECTION TITLED "PROCEDURE FOR RESOLVING DISPUTES" BELOW.

Should your LG Radiant Cooktop ("Product") fail due to a defect in materials or workmanship under normal and proper use, during the warranty period set forth below, LG Electronics Canada, Inc. ("LGECI") will, at its option, repair or replace the Product upon receipt of proof of the original retail purchase. This limited warranty is valid only to the original retail purchaser of the Product and applies only to a Product distributed, purchased and used within Canada, as determined at the sole discretion of LGECI.

WARRANTY PERIOD:	WHAT IS COVERED:
One year from date of original purchase	Any part of the cooktop which fails due to a defect in materials or workmanship. During this full one-year warranty , LG will also provide, free of charge , all labor and in-home service to replace the defective part.

- Replacement products and parts are warranted for the remaining portion of the original warranty period or ninety (90) days, whichever is greater.
- Replacement products and parts may be new, reconditioned, refurbished, or otherwise factory remanufactured, all at the sole discretion of LGECI.
- Proof of original retail purchase specifying the Product model and date of purchase is required to obtain warranty service under this Limited Warranty.

LGECI'S SOLE LIABILITY IS LIMITED TO THE LIMITED WARRANTY SET OUT ABOVE. EXCEPT AS EXPRESSLY PROVIDED ABOVE, LGECI MAKES NO, AND HEREBY DISCLAIMS, ALL OTHER WARRANTIES AND CONDITIONS RESPECTING THE PRODUCT, WHETHER EXPRESS OR IMPLIED, INCLUDING BUT NOT LIMITED TO, ANY IMPLIED WARRANTY OR CONDITION OF MERCHANTABILITY OR FITNESS FOR A PARTICULAR PURPOSE, AND NO REPRESENTATIONS SHALL BE BINDING ON LGECI. LGECI DOES NOT AUTHORIZE ANY PERSON TO CREATE OR ASSUME FOR IT ANY OTHER WARRANTY OBLIGATION OR LIABILITY IN CONNECTION WITH THE PRODUCT. TO THE EXTENT THAT ANY WARRANTY OR CONDITION IS IMPLIED BY LAW, IT IS LIMITED TO THE WARRANTY PERIOD SET OUT ABOVE. UNDER NO CIRCUMSTANCES SHALL LGECI, THE MANUFACTURER OR DISTRIBUTOR OF THE PRODUCT, BE LIABLE FOR ANY INCIDENTAL, CONSEQUENTIAL, SPECIAL, DIRECT, INDIRECT, PUNITIVE OR EXEMPLARY DAMAGES, INCLUDING, WITHOUT LIMITATION, LOSS OF GOODWILL, LOST PROFITS, LOSS OF ANTICIPATED PROFITS, LOST REVENUE, LOSS OF USE, OR ANY OTHER DAMAGE, WHETHER ARISING DIRECTLY OR INDIRECTLY FROM ANY CONTRACTUAL BREACH, FUNDAMENTAL BREACH, TORT OR OTHERWISE, OR FROM ANY ACTS OR OMISSIONS. LGECI'S TOTAL LIABILITY, IF ANY, SHALL NOT EXCEED THE PURCHASE PRICE PAID BY YOU FOR THE PRODUCT.

This Limited Warranty gives you specific legal rights. You may also have other rights that vary from province to province depending on applicable provincial laws. Any term of this Limited Warranty that negates or varies any implied condition or warranty under provincial law is severable where it conflicts with such provincial law without affecting the remainder of this warranty's terms.

THIS LIMITED WARRANTY DOES NOT COVER:

- Service trips to i) deliver, pick up, or install or; educate on how to operate the Product; ii) correct wiring or plumbing; or iii) correct unauthorized repairs or installations of the Product;
- Damage or failure of the Product to perform during power failures and interrupted or inadequate electrical service;
- Damage or failure resulting from operating the Product in a corrosive atmosphere or contrary to the instructions outlined in the Product's owner's manual;
- Damage or failure to the Product caused by accidents, pests and vermin, lightning, wind, fire, floods, acts of God, or any other causes beyond the control of LGECI or the manufacturer;
- Damage or failure resulting from misuse, abuse, improper installation, repair, or maintenance of the Product. Improper repair includes use of parts not authorized or specified by LGECI. Improper installation or maintenance includes installation or maintenance contrary to the Product's owner's manual;.
- Damage or failure caused by unauthorized modification or alteration of the Product, or if used for other than the intended household purpose/use of the Product, or damage or failure resulting from any water leakage due to improper installation of the Product;
- Damage or failure caused by incorrect electrical current, voltage or plumbing codes;
- Damage or failure caused by use that is other than normal household use, including, without limitation, commercial or industrial use, including use in commercial offices or recreational facilities, or as otherwise outlined in the Product's owner's manual;
- Damage or failure caused by transportation and handling, including scratches, dents, chips and/or other damage to the finish of the Product, **unless** such damage results from defects in materials or workmanship and is reported to LGECI within one (1) week of delivery of the Products;
- Damage or missing items to any display, open box, refurbished or discounted Product;
- Refurbished Product or any Product sold "As Is", "Where Is", "With all Faults", or any similar disclaimer;
- Products with original serial numbers that have been removed, altered or cannot be readily determined at the discretion of LGECI;

- Increases in utility costs and additional utility expenses in any way associated with the Product;
- Any noises associated with normal operation of the Product;
- Replacement of light bulbs, filters, fuses or any other consumable parts;
- Replacement of any part that was not originally included with the Product;
- Costs associated with removal and/or reinstallation of the Product for repairs; and
- Shelves, drawers, handle and accessories to the Product, except for internal/functional parts covered under this Limited Warranty.
- Coverage for “in Home” repairs, for products in-warranty, will be provided if the Product is within a 150 km radius from the nearest authorized service center (ASC), as determined by LG Canada. If your Product is located outside a 150 km radius from a ASC, as determined by LG Canada, it will be your responsibility to bring the Product, at your sole expense, to the ASC for in-warranty repair.

All costs and expenses associated with the above excluded circumstances, listed under the heading, This Limited Warranty Does Not Cover, shall be borne by the consumer.

TO OBTAIN WARRANTY SERVICE AND ADDITIONAL INFORMATION, PLEASE CALL OR VISIT OUR WEBSITE:

Call 1-888-542-2623 (7 A.M. to 12 A.M., 365 days a year) and select the appropriate option from the menu, or visit our website at <http://www.lg.com>

PROCEDURE FOR RESOLVING DISPUTES:

EXCEPT WHERE PROHIBITED AT LAW, ALL DISPUTES BETWEEN YOU AND LG ARISING OUT OF OR RELATING IN ANY WAY TO THIS LIMITED WARRANTY OR THE PRODUCT SHALL BE RESOLVED EXCLUSIVELY THROUGH BINDING ARBITRATION, AND NOT IN A COURT OF GENERAL JURISDICTION. EXCEPT WHERE PROHIBITED AT LAW, YOU AND LG BOTH IRREVOCABLY AGREE TO WAIVE THE RIGHT TO A JURY TRIAL AND TO BRING OR PARTICIPATE IN A CLASS ACTION.

Definitions. For the purposes of this section, references to “LG” mean LG Electronics Canada, Inc., its parents, subsidiaries and affiliates, and each of their officers, directors, employees, agents, beneficiaries, predecessors in interest, successors, assigns and suppliers; references to “dispute” or “claim” shall include any dispute, claim or controversy of any kind whatsoever (whether based in contract, tort, statute, regulation, ordinance, fraud, misrepresentation or any other legal or equitable theory) arising out of or relating in any way to the sale, condition or performance of the product or this Limited Warranty.

Notice of Dispute. In the event you intend to commence an arbitration proceeding, you must first notify LG in writing at least 30 days in advance of initiating the arbitration by sending a letter to LGECI Legal Team at 20 Norelco Drive, North York, Ontario, Canada M9L 2X6 (the “Notice of Dispute”). You and LG agree to engage in good faith discussions in an attempt to amicably resolve your claim. The notice must provide your name, address, and telephone number; identify the product that is the subject of the claim; and describe the nature of the claim and the relief being sought. If you and LG are unable to resolve the dispute within 30 days of LG’s receipt of the Notice of Dispute, the dispute shall be resolved by binding arbitration in accordance with the procedure set out herein. You and LG both agree that, during the arbitration proceeding, the terms (including any amount) of any settlement offer made by either you or LG will not be disclosed to the arbitrator until the arbitrator determines the dispute.

Agreement to Binding Arbitration and Class Action Waiver. Upon failure to resolve the dispute during the 30 day period after LG’s receipt of the Notice of Dispute, you and LG agree to resolve any claims between you and LG only by binding arbitration on an individual basis, unless you opt out as provided below, or you reside in a jurisdiction that prevents full application of this clause in the circumstances of the claims at issue (in which case if you are a consumer, this clause will only apply if you expressly agree to the arbitration). To the extent permitted by applicable law, any dispute between you and LG shall not be combined or consolidated with a dispute involving any other person’s or entity’s product or claim. More specifically, without limitation of the foregoing, except to the extent such a prohibition is not permitted at law, any dispute between you and LG shall not under any circumstances proceed as part of a class or representative action. Instead of arbitration, either party may bring an individual action in small claims court, but that small claims court action may not be brought on a class or representative basis except to the extent this prohibition is not permitted at law in your province or territory of jurisdiction as it relates to the claims at issue between you and LG.

Arbitration Rules and Procedures. To begin arbitration of a claim, either you or LG must make a written demand for arbitration. The arbitration will be private and confidential, and conducted on a simplified and expedited basis before a single arbitrator chosen by the parties under the provincial or territorial commercial arbitration law and rules of the province or territory of your residence. You must also send a copy of your written demand to LG at LG Electronics, Canada, Inc., Attn: Legal Department- Arbitration, 20 Norelco Drive, North York, Ontario M9L 2X6. This arbitration provision is governed by your applicable provincial or territorial commercial arbitration legislation. Judgment may be entered on the arbitrator’s award in any court of competent jurisdiction. All issues are for the arbitrator to decide, except that, issues relating to the scope and enforceability of the arbitration provision and to the arbitrability of the dispute are for the court to decide. The arbitrator is bound by the terms of this provision.

Governing Law. The law of the province or territory of your purchase shall govern this Limited Warranty and any disputes between you and LG except to the extent that such law is preempted by or inconsistent with applicable federal or provincial/territorial law. Should arbitration not be permitted for any claim, action, dispute or controversy between you and LG, you and LG attorn to the exclusive jurisdiction of the courts of the province or territory of your purchase for the resolution of the claim, action, dispute or controversy between you and LG.

Fees/Costs. You do not need to pay any fee to begin an arbitration. Upon receipt of your written demand for arbitration, LG will promptly pay all arbitration filing fees unless you seek more than \$25,000 in damages, in which case the payment of these fees will be governed by the applicable arbitration rules. Except as otherwise provided for herein, LG will pay all filing, administration and arbitrator fees for any arbitration initiated in accordance with the applicable arbitration rules and this arbitration provision. If you prevail in the arbitration, LG will pay your attorneys' fees and expenses as long as they are reasonable, by considering factors including, but not limited to, the purchase amount and claim amount. Notwithstanding the foregoing, if applicable law allows for an award of reasonable attorneys' fees and expenses, an arbitrator can award them to the same extent that a court would. If the arbitrator finds either the substance of your claim or the relief sought in the demand is frivolous or brought for an improper purpose (as measured by the applicable laws), then the payment of all arbitration fees will be governed by the applicable arbitration rules. In such a situation, you agree to reimburse LG for all monies previously disbursed by it that are otherwise your obligation to pay under the applicable arbitration rules. Except as otherwise provided for, LG waives any rights it may have to seek attorneys' fees and expenses from you if LG prevails in the arbitration.

Hearings and Location. If your claim is for \$25,000 or less, you may choose to have the arbitration conducted solely (1) on the basis of documents submitted to the arbitrator, (2) through a telephonic hearing, or (3) by an in-person hearing as established by the applicable arbitration rules. If your claim exceeds \$25,000, the right to a hearing will be determined by the applicable arbitration rules. Any in-person arbitration hearings will be held at the nearest, most mutually-convenient arbitration location available within the province or territory in which you reside unless you and LG both agree to another location or agree to a telephonic arbitration.

Severability and Waiver. If any portion of this Limited Warranty (including these arbitration procedures) is unenforceable, the remaining provisions will continue in full force and effect to the maximum extent permitted by applicable law. Should LG fail to enforce strict performance of any provision of this Limited Warranty (including these arbitration procedures), it does not mean that LG intends to waive or has waived any provision or part of this Limited Warranty.

Opt Out. You may opt out of this dispute resolution procedure. If you opt out, neither you nor LG can require the other to participate in an arbitration proceeding. To opt out, you must send notice to LG no later than 30 calendar days from the date of the first consumer purchaser's purchase of the product by either (i) sending an e-mail to optout@lge.com, with the subject line: "Arbitration Opt Out;" or (ii) calling 1-800-980-2973. You must include in the opt out e-mail or provide by telephone: (a) your name and address; (b) the date on which the product was purchased; (c) the product model name or model number; and

(d) the serial number (the serial number can be found (i) on the product; or (ii) online by accessing https://www.lg.com/ca_en/support/repair-service/schedule-repair and clicking on "Find My Model & Serial Number").

In the event that you "Opt Out", the law of the province or territory of your residence shall govern this Limited Warranty and any disputes between you and LG except to the extent that such law is preempted by or inconsistent with applicable federal or provincial/territorial law. Should arbitration not be permitted for any claim, action, dispute or controversy between you and LG, you and LG agree to attorn to the exclusive jurisdiction of the courts of the province or territory of your residence for the resolution of the claim, action, dispute or controversy between you and LG.

You may only opt out of the dispute resolution procedure in the manner described above (that is, by e-mail or telephone); no other form of notice will be effective to opt out of this dispute resolution procedure. Opting out of this dispute resolution procedure will not affect the coverage of the Limited Warranty in any way, and you will continue to enjoy the full benefits of the Limited Warranty. If you keep this product and do not opt out, then you accept all terms and conditions of the arbitration provision described above.

Conflict of Terms. In the event of a conflict or inconsistency between the terms of this Limited Warranty and the End User License Agreement ("EULA") in regards to dispute resolution, the terms of this Limited Warranty shall control and govern the rights and obligations of the parties and shall take precedence over the EULA.

MANUAL DEL PROPIETARIO

ESTUFA DE VIDRIO CERÁMICO RADIANTE

Lea atentamente este manual del propietario antes de poner el electrodoméstico en funcionamiento y téngalo a mano en todo momento para su referencia.

LCE3010SB
LCE3610SB



MFL54169104_13

Copyright © 2011 - 2019 LG Electronics Inc. Todos los Derechos Reservados.

www.lg.com

INTRODUCCIÓN

INFORMACIÓN IMPORTANTE DE SEGURIDAD

Precauciones importantes de seguridad 3-7

CONSEJOS SOBRE LOS RECIPIENTES DE COCCIÓN

Cómo seleccionar recipientes de cocción 8-9

PIEZAS Y CARACTERÍSTICAS

Piezas y características de su estufa 10
Accesorios 10
Características de control táctiles 11

INSTRUCCIONES DE OPERACIÓN

Antes de usar la estufa 12
Cómo configurar los controles 12-14
Cómo usar la zona de calentamiento 14
Cómo usar las zonas de cocción triples 15
Cómo usar las zonas de cocción dobles 15
Cómo usar el bloqueo para niños 16
Otras funciones 16

CUIDADO Y LIMPIEZA

Cómo limpiar la estufa 17

INSTRUCCIONES DE INSTALACIÓN

Antes de comenzar 18
Cómo desempacar la estufa 18
Especificaciones técnicas 19
Cómo preparar la ubicación de instalación 20
Dimensiones y espacios 21
Cómo preparar la ubicación de instalación 22
Dimensiones y espacios 23
Conexiones Eléctricas 24-26
Instalación de la estufa 26-27
Control final 27

IDENTIFICACIÓN Y SOLUCIÓN DE PROBLEMAS

Antes de llamar al servicio técnico 28-29

GARANTÍA

Garantía limitada (EE. UU.) 30

¡GRACIAS!

Felicitaciones por su compra y
bienvenido a la familia de LG.

Su nueva estufa RADIANTE LG
combina características de cocción de
precisión con una operación simple y
un diseño de estilo. Siguiendo las
instrucciones de operación y cuidado
de este manual, su estufa le brindará
muchos años de servicio confiable.

Información sobre registro de producto

Modelo: _____

Número de serie: _____

Fecha de compra: _____

INFORMACIÓN IMPORTANTE DE SEGURIDAD

LEA TODAS LAS INSTRUCCIONES ANTES DE USAR

Puede descargar un manual del usuario y de instalación en <http://www.lg.com>.

⚠️ ADVERTENCIA Para su seguridad, debe seguirse la información de este manual a fin de minimizar el riesgo de incendio, descarga eléctrica o para prevenir daños a la propiedad, lesiones personales o la muerte.

PRECAUCIONES DE SEGURIDAD

- **Instalación adecuada:** Asegúrese de que un técnico calificado instale y conecte a tierra correctamente su aparato de acuerdo con el Código Eléctrico Nacional ANSI/NFPA No. 70, última edición en los Estados Unidos, y con todos los requisitos de códigos locales. Instale sólo según las instrucciones de instalación.
- No intente reparar o cambiar ninguna pieza de su estufa a menos que esté específicamente recomendado en este manual. Cualquier otro servicio debe realizarlo un técnico calificado.
- Quite toda la cinta y envoltorio de embalaje antes de utilizar el aparato. Destruya el cartón y las bolsas plásticas después de desempacar el aparato. Nunca permita que los niños jueguen con el material de empaque.
- Los aspectos de seguridad de este aparato cumplen con normas técnicas aceptadas.
- **Sepa cómo desconectar la energía eléctrica hacia el aparato desde el interruptor de circuitos o caja de fusibles en caso de una emergencia.** Marque el interruptor o fusible para una identificación sencilla y una acción rápida si así fuese necesario.
- **No repare o reemplace ninguna pieza del aparato.** Todas las reparaciones debe realizarlas un técnico calificado para evitar el riesgo de lesiones personales y daños al aparato.
- **Nunca modifique o altere la construcción de un aparato, como la remoción de paneles, cubiertas de cableado o cualquier otra pieza permanente del producto.**
- **Almacenamiento en el aparato: No deben almacenarse materiales inflamables cerca o sobre la superficie de cocción.** Esto incluye elementos de papel, plástico o tela, tales como libros de cocina, recipientes de plástico o toallas, además de líquidos inflamables. No almacene explosivos, tales como latas de aerosol, sobre o cerca del aparato. Los materiales inflamables pueden explotar y provocar un incendio o daños a la propiedad.
- **No deje a los niños solos. No hay que dejar a los niños solos o desatendidos en el área donde un aparato se encuentra en funcionamiento.** Nunca debe permitirse que se sienten o se paren en cualquier parte de este aparato.
- **No almacene o use gasolina u otros vapores o líquidos inflamables cerca de este o cualquier otro aparato.**

⚠️ PRECAUCIÓN

Ciertos elementos de interés para los niños no deben almacenarse en gabinetes ubicados por encima de una estufa o en el salpicadero de una estufa: los niños que se suban a la estufa para alcanzar elementos podrían resultar gravemente heridos.

⚠️ ADVERTENCIA

Nunca use su aparato para calentar una habitación.

⚠️ PRECAUCIÓN

NO toque las zonas de cocción o las áreas cercanas a estas superficies. Las zonas de cocción pueden estar calientes debido al calor residual aunque su color sea oscuro. Las áreas cercanas a las zonas de cocción pueden calentarse como para provocar quemaduras. Durante y después del uso, no toque o permita que su vestimenta u otros materiales inflamables entren en contacto con estas áreas hasta que haya pasado el tiempo suficiente para que se enfríen.

⚠️ PRECAUCIÓN

Nunca use vestimentas holgadas o amplias mientras utilice este aparato.

- Siempre apague los controles cuando haya finalizado la cocción.
- Nunca permita que los niños se sienten o paren sobre ninguna pieza del aparato ya que pueden lastimarse o quemarse.

INFORMACIÓN IMPORTANTE DE SEGURIDAD

LEA TODAS LAS INSTRUCCIONES ANTES DE USAR

PRECAUCIONES DE SEGURIDAD (cont.)

- **Utilice ropa adecuada. Nunca debe utilizar ropa suelta o que cuelgue mientras utiliza este electrodoméstico.** No permita que su ropa u otros materiales inflamables entren en contacto con las superficies calientes.
- **No utilice agua o harina en incendios de grasa.** Apague el incendio con la tapa de una sartén, o utilice bicarbonato de sodio o un extintor de químico seco o de espuma.
- **Cuando caliente grasa, obsérvela con atención.** La grasa puede prenderse fuego si se deja calentar demasiado.
- **Sólo utilice agarraderas secas.** Las agarraderas húmedas o mojadas sobre superficies calientes pueden provocar quemaduras de vapor. No permita que las agarraderas entren en contacto con las unidades de superficie. No utilice toallas u otras telas gruesas en lugar de una agarradera.
- **No caliente recipientes cerrados de alimentos.** La presión acumulada puede hacer que el recipiente explote y provoque lesiones.

SEGURIDAD ELÉCTRICA

ADVERTENCIA

- Si la superficie se encuentra agrietada, **desenchufe el aparato para evitar la posibilidad de una descarga eléctrica. No vuelva a utilizar su ESTUFA hasta que se haya cambiado la superficie de vidrio.**
- Cuando utilice la ESTUFA, nunca use papel de aluminio, productos envueltos en papel de aluminio o alimentos muy congelados en recipientes de cocción de aluminio.
- Si el cable eléctrico está dañado, el fabricante o su agente de servicio técnico o una persona calificada similar debe reemplazarlo a fin de evitar un riesgo.

- La instalación y conexión del nuevo aparato sólo debe efectuarla personal calificado.
- Los aparatos con montaje empotrado sólo pueden operarse siguiendo la instalación en gabinetes adecuados y sitios de trabajo que cumplan con las normas pertinentes. Esto garantiza una suficiente protección contra descargas eléctricas según lo requieren las agencias de certificación.
- Si su aparato no funciona bien o se rompe, desenchufe todas las zonas de cocción y comuníquese con el Centro de Servicios.

SEGURIDAD PARA NIÑOS

ADVERTENCIA

- Este aparato no debe ser utilizado por niños pequeños o personas débiles a menos que reciban una supervisión adecuada por parte de una persona responsable a fin de garantizar que puedan utilizar el aparato de manera segura.
- Los niños pequeños deben recibir supervisión para garantizar que no jueguen con el electrodoméstico.
- Las piezas accesibles pueden calentarse durante el uso. Los niños deben permanecer alejados.

INFORMACIÓN IMPORTANTE DE SEGURIDAD

LEA TODAS LAS INSTRUCCIONES ANTES DE USAR

SEGURIDAD DURANTE EL USO

- **Este aparato sólo puede utilizarse para cocción y fritura normales en el hogar.** No se encuentra diseñado para fines comerciales o industriales.
- **No utilice la estufa para calentar la habitación.**
- **Tenga cuidado al enchufar aparatos eléctricos cerca de la estufa.** Los cables no deben entrar en contacto con la superficie caliente. Esto podría provocar daños a la estufa y la aislación del cable.
- **Las grasas y aceites que se calientan de más se prenden fuego rápidamente.** Debe supervisarse la cocción cuando prepare alimentos en grasa o aceite.
- **Cuando termine de usarlo, apague el elemento el control y confíe en el detector de sartén.**
- **Siempre mantenga los paneles de control limpios y secos.** No deje líquidos o grasa en el área de controles de la estufa. Los alimentos derramados o quemados pueden activar o desactivar el electrodoméstico. Limpie bien el área de controles para continuar con un funcionamiento normal del aparato.
- **Nunca coloque productos combustibles sobre la estufa.**
- **Nunca conserve productos combustibles o latas de aerosol en un cajón ubicado bajo la estufa.**
- **No coloque utensilios de cocina de metal sobre las áreas de superficie de cocción.** Los objetos metálicos pueden calentarse y provocar quemaduras.
- **Sepa qué tecla táctil controla cada superficie de las zonas de cocción.**
- **Limpie el artefacto regularmente para mantener todas las piezas libres de grasa, lo que podría ocasionar un incendio.** Las campanas de ventilación de los ventiladores de extracción y los filtros de grasa deben mantenerse limpios. No permita la acumulación de grasa en la campana o en el filtro. Los depósitos grasosos del ventilador pueden prenderse fuego. Para la limpieza, lea las instrucciones del fabricante de la campana.
- **Utilice tamaños de recipientes adecuados.** Este artefacto está equipado con una o más unidades de superficie de diferentes tamaños. Elija recipientes con bases planas lo suficientemente grandes para cubrir el elemento calentador de la unidad de superficie. La utilización de recipientes más pequeños dejará expuesta una porción del elemento calentador al contacto directo, lo que puede provocar la quemadura de su vestimenta. Una relación adecuada del recipiente con el quemador también mejorará la eficiencia.
- **Si el recipiente es más pequeño que el elemento,** una porción del elemento quedará expuesta al contacto directo, lo que puede prender fuego su ropa o la agarradera.
- **No coloque ningún objeto sobre o cerca del área de las teclas táctiles para evitar la activación accidental de los controles de la estufa.**
- **Las manijas de los recipientes deben girarse hacia adentro y no deben extenderse sobre las unidades de superficie adyacentes.**
Para reducir el riesgo de quemaduras, el encendido de materiales inflamables y el derrame debido a un contacto accidental con el recipiente, la manija del utensilio debe colocarse hacia adentro y no debe extenderse sobre unidades de superficie adyacentes.
- **Nunca deja alimentos preparados en las zonas de cocción.** Los alimentos que hierven y se derraman pueden provocar humo y derrames grasosos que pueden prenderse fuego, o un recipiente que hierve en seco puede derretirse o dañarse.
- **Revestimientos protectores: No utilice papel de aluminio para revestir ninguna parte de la estufa.** Sólo utilice papel de aluminio como se recomienda después del proceso de cocción, si se usa como un recubrimiento para colocar sobre los alimentos. Cualquier otro uso del papel de aluminio puede provocar un riesgo de descarga eléctrica, incendio o cortocircuito.
- **Utensilios de cocción vidriados: Sólo ciertos tipos de recipientes de vidrio, vidrio/cerámico, cerámica, barro cocido u otros recipientes vidriados pueden utilizarse sobre la estufa sin romperse debido al cambio repentino de temperatura.** Consulte las recomendaciones del fabricante para el uso sobre la estufa.
- **Campana de ventilación: La campana de ventilación sobre la superficie de cocción debe limpiarse frecuentemente, para que la grasa proveniente de los vapores de cocción no se acumule en la campana o filtro.**
- **No limpie u opere una estufa rota.** Si la estufa se rompe, las soluciones de limpieza y los derrames pueden penetrar en la estufa rota y crear un riesgo de descarga eléctrica. Comuníquese con un técnico calificado de inmediato.
- **Tenga cuidado al limpiar la superficie de cocción.** No utilice esponjas ni trapos para limpiar derrames en una superficie caliente. Utilice un raspador metálico adecuado.

INFORMACIÓN IMPORTANTE DE SEGURIDAD

SEGURIDAD DURANTE EL USO (cont.)

- **No coloque recipientes de cocción calientes sobre el vidrio frío de la estufa.** Esto puede provocar la rotura del vidrio.
- **No deslice recipientes sobre la superficie de la estufa.** Pueden rayar la superficie de la estufa.
- **No deje que los recipientes hiervan en seco.** Esto puede provocar un daño permanente en forma de rotura, fusión o marcas que pueden afectar la estufa de vidrio cerámico. (Estos daños no se encuentran cubiertos por la garantía).
- **Nunca deje unidades de superficie desatendidas en configuraciones de calor altas.** Los alimentos que hierven y se derraman provocan humo y derrames grasos que pueden prenderse fuego.
- Apague el incendio o llamas dentro de un recipiente con una tapa o plancha para galletas. **NUNCA** levante o mueva una sartén en llamas.
- No utilice agua en incendios de grasa. Utilice bicarbonato de sodio o un extintor de químico seco o de espuma para apagar un incendio o llamas.
- **Siempre apague los controles cuando haya finalizado la cocción.**
- **Asegúrese de saber qué teclas del control operan cada unidad de superficie.** Verifique haber encendido la unidad de superficie correcta.
- **Use sólo agarraderas secas.** Las agarraderas húmedas o mojadas sobre superficies calientes pueden provocar quemaduras de vapor. No permita que la agarradera toque los elementos calentadores. No use una toalla u otra tela gruesa.

SEGURIDAD DURANTE LA LIMPIEZA

- **Siempre desconecte el aparato antes de limpiarlo.**
- **Por razones de seguridad, no limpie el aparato con un limpiador de chorro de vapor o de alta presión.**
- **Limpie la estufa de acuerdo con las instrucciones de mantenimiento y limpieza de este manual.**
- **No debe utilizarse un limpiador de vapor con esta estufa.**
- **No use limpiadores abrasivos fuertes o raspadores de metal ásperos para limpiar el vidrio de la estufa ya que pueden rayar la superficie, y provocar la rotura del vidrio.**
- **Tenga cuidado al limpiar la superficie de cocción.** No utilice esponjas ni trapos para limpiar derrames en una superficie caliente. Utilice un raspador metálico adecuado.

COCINE CARNES DE RES Y DE AVE POR COMPLETO

Cocine carnes de res y de ave por completo: La carne de res hasta alcanzar una temperatura INTERNA de por lo menos 160°F y la carne de ave a una temperatura INTERNA de por lo menos 180°F.

La cocción a estas temperaturas generalmente protege de enfermedades transmitidas por los alimentos.

CÓMO EVITAR DAÑOS AL APARATO

- Antes de utilizar la estufa por primera vez, aplique la crema de limpieza recomendada para la superficie de cerámica. Pule con un paño no abrasivo. Esto facilitará la limpieza de la suciedad generada durante la cocción. La crema de limpieza especial para estufas deja una película protectora sobre el vidrio para ayudar a prevenir rayones y abrasiones.
- No utilice la estufa como una superficie de trabajo o un espacio de almacenamiento.
- Tenga cuidado con los extremos cuando traslade cacerolas y sartenes.
- No utilice las zonas de cocción con cacerolas y sartenes vacías.
- No encienda las zonas de cocción sin cacerolas o sartenes sobre los elementos.

INFORMACIÓN IMPORTANTE DE SEGURIDAD

CÓMO EVITAR DAÑOS AL APARATO (cont.)

- El vidrio cerámico es muy fuerte y altamente resistente a los cambios bruscos de temperatura pero no es irrompible. Puede dañarse si caen sobre él objetos duros o afilados.
- Tenga mucho cuidado al usar ollas hechas de hierro fundido u otras ollas con bordes ásperos o rebabas. Al moverlos puede rayarse el vidrio.
- Si azúcar o una mezcla que contenga azúcar cae sobre una zona caliente de cocción y se derrite, quítela inmediatamente, mientras esté caliente. Si se deja enfriar, puede dañar la superficie cuando se la quite.
- No deslice metal o vidrio sobre la superficie de la estufa.
- Mantenga objetos o materiales que puedan derretirse alejados de superficies de vidrio cerámico, por ejemplo, utensilios de plástico, papel de aluminio o envoltorios de cocina. Si materiales o alimentos se derriten sobre la superficie de vidrio cerámico, éstos deben limpiarse inmediatamente.

NOTA: ¡Existe el riesgo de quemarse cuando se utiliza el raspador de vidrio sobre una zona de cocción caliente!

- No utilice recipientes de cocción con acumulaciones de suciedad en la base.
- No utilice recipientes de cocción con bases ásperas o irregulares. Esos recipientes de cocción pueden marcar y rayar la superficie de la estufa.
- Consulte el manual del propietario sobre limpieza y mantenimiento correctos de la estufa.
- **No use la superficie de vidrio de la estufa como una tabla para cortar.**
- **Nunca cocine directamente sobre el vidrio. Siempre utilice recipientes de cocción.**

PRECAUCIÓN

Peligro de quemaduras: Las zonas de cocción pueden parecer frías cuando se encienden (ON) y después de haberse apagado (OFF).

ELIMINACIÓN DE APARATOS ANTIGUOS

Para proteger el medio ambiente, resulta importante que los aparatos gastados se eliminen de la manera correcta.

- El aparato no debe eliminarse junto con los residuos hogareños.
- Usted puede obtener información sobre fechas de recolección o sitios de eliminación de desechos públicos en el consejo de salud local o dirección de salud ambiental.

PRECAUCIÓN

Antes de eliminar los aparatos antiguos, tenga a bien dejarlos inoperables para que no puedan ser una fuente de peligro. Para lograrlo, haga que una persona calificada desconecte el aparato del circuito del hogar.

**LEA Y SIGA ESTA INFORMACIÓN DE SEGURIDAD CUIDADOSAMENTE
GUARDE ESTAS INSTRUCCIONES**

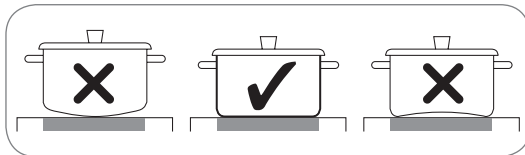
CONSEJOS SOBRE LOS RECIPIENTES DE COCCIÓN

CÓMO SELECCIONAR RECIPIENTES DE COCCIÓN

OLLAS Y SARTENES

Cuanto mejor sea la olla, mejores serán los resultados de la cocción.

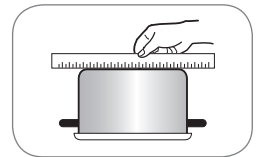
- Las buenas ollas y sartenes se reconocen por sus bases. Deben ser lo más gruesas y planas posible.



- Las ollas con bases de aluminio o cobre pueden provocar una decoloración metálica sobre la superficie de vidrio cerámico, que resulta muy difícil o imposible de remover.
- Tenga mucho cuidado al usar ollas de hierro fundido u ollas con bases dañadas que sean ásperas o que tengan rebabas. Pueden provocarse rayones si se deslizan sobre la superficie.
- Cuando están frías, las bases de las ollas tienen una ligera inclinación hacia adentro (cóncava). Nunca deben tener una inclinación hacia afuera (convexa).
- Si desea utilizar un tipo de olla especial (ej., una olla de presión, sartén para fuego lento, wok), tenga a bien seguir las instrucciones del fabricante y no use una sartén muy delgada.

UTILICE RECIPIENTES DE COCCIÓN DE BASE PLANA

Los recipientes deben hacer contacto total sobre la superficie del elemento de cocción. Utilice sartenes de base plana del tamaño adecuado para el elemento de cocción y la cantidad de alimentos que se están preparando. Verifique que sea plana girando una regla sobre la base del recipiente.



CONSEJOS SOBRE LOS RECIPIENTES DE COCCIÓN

CÓMO SELECCIONAR RECIPIENTES DE COCCIÓN (cont.)

CÓMO EVITAR RAYONES

Se recomienda siempre utilizar recipientes de acero inoxidable de un grosor más elevado sobre la superficie de cerámica de la estufa. Esto ayudará a reducir la posibilidad de provocar rayones sobre la superficie de cerámica.

Los recipientes de mala calidad pueden rayar la superficie de la estufa.

Los recipientes siempre deben levantarse sobre la superficie de cerámica de la estufa para evitar rayarla.

Deslizar cualquier clase de recipiente sobre la estufa de cerámica puede afectar la apariencia total de la estufa. Con el paso del tiempo, deslizar CUALQUIER clase de recipiente sobre la estufa de cerámica puede alterar la apariencia total de la estufa. Finalmente, la acumulación de rayones puede dificultar la limpieza de la superficie y afectar la apariencia total de la estufa.

Los rayones también se pueden provocar debido a granos de arena (ej., después de lavar vegetales) que se arrastran con la olla a través de la superficie de cocción.

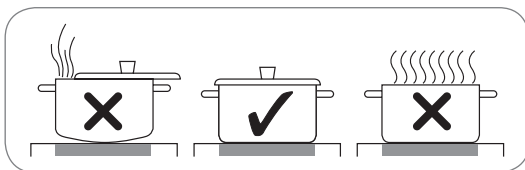
PARA MEJORES RESULTADOS:

Siempre siga las recomendaciones del tipo y tamaño adecuados del recipiente: Además:

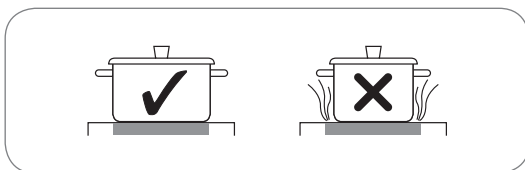
- No utilice sartenes sucias con acumulación de grasa. Siempre utilice recipientes fáciles de lavar después de la cocción y asegúrese de que las bases de los recipientes estén limpias y secas.
- Cuando cocine con grandes cantidades de líquido, utilice ollas grandes para que no hiervan y se derramen.
- No deje que los recipientes hiervan en seco. Esto puede provocar un daño permanente en forma de rotura, fusión o marcas que pueden afectar la estufa de vidrio cerámico. (Estos daños no se encuentran cubiertos por la garantía).
- Utilice el tamaño de olla y la zona de cocción que correspondan a la cantidad de alimentos que se están preparando.

CONSEJOS PARA AHORRAR ENERGÍA:

- Siempre coloque las ollas y sartenes antes de encender la zona de cocción.
- Las zonas de cocción y los recipientes sucios utilizan más electricidad.
- Cuando sea posible, siempre tenga la tapa firmemente colocada sobre las ollas y sartenes para que queden completamente cubiertas.



- Apague las zonas de cocción antes del final del tiempo de cocción para utilizar el calor residual a fin de mantener los alimentos calientes o derretir algún producto.
- La base de la olla debe tener el mismo tamaño de la zona de cocción.



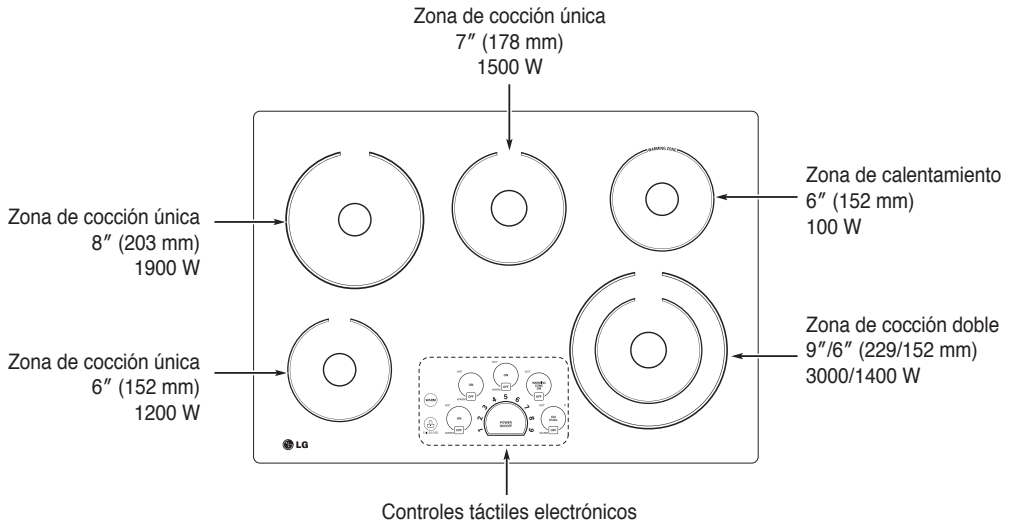
- Usar una olla de presión acorta los tiempos de cocción en un 50%.

PIEZAS Y CARACTERÍSTICAS

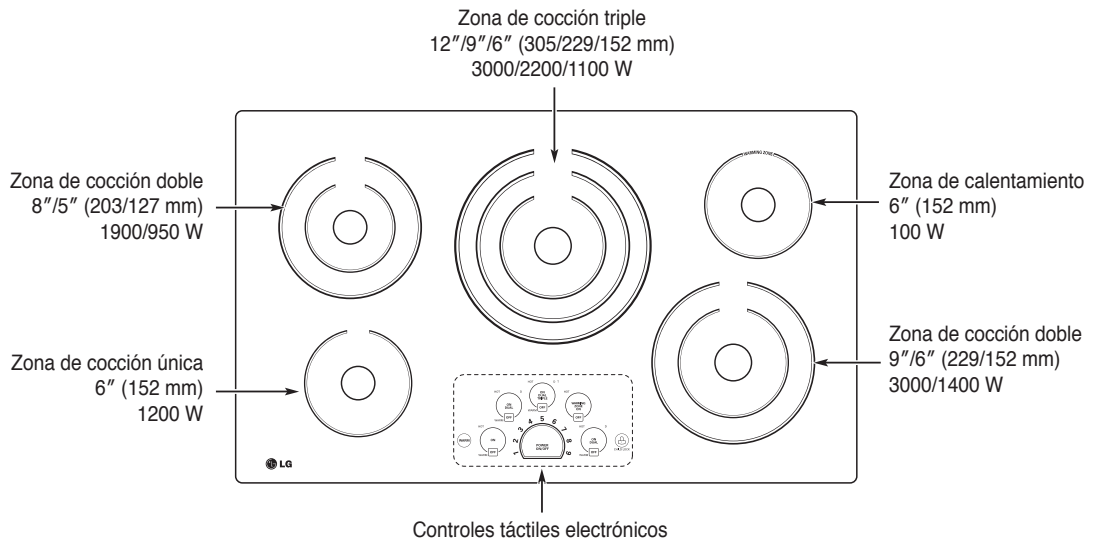
PIEZAS Y CARACTERÍSTICAS DE SU ESTUFA

A lo largo de este manual, las características y apariencia pueden ser diferentes a las de su modelo.

Estufa radiante LCE3010SB



Estufa radiante LCE3610SB



ACCESORIOS



Limpiador para placa de cocción (1 c/u)



Esponja limpiadora que no raya (1 c/u)



Soportes de retención (2 c/u)



Perno (2 c/u)



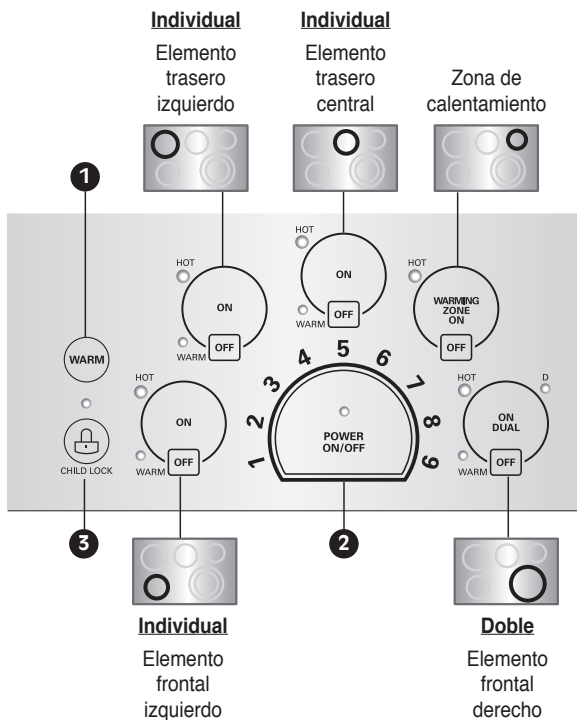
Perno (2 c/u)

CARACTERÍSTICAS DE CONTROL TÁCTILES

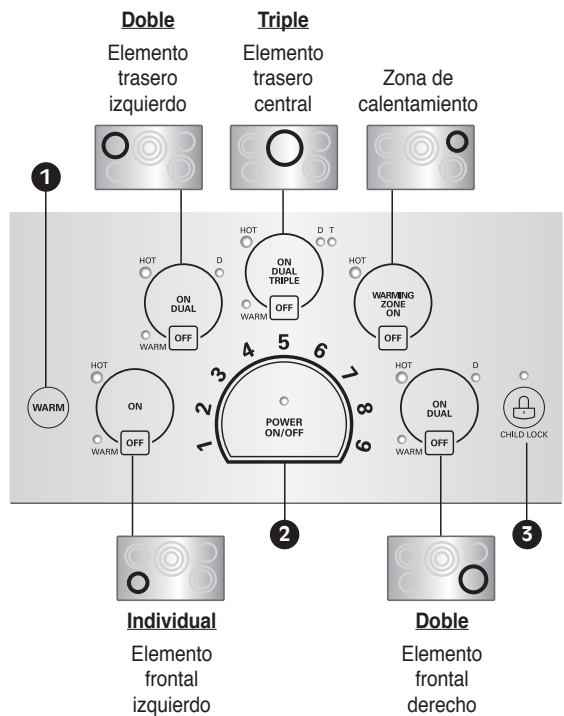
UBICACIONES DE ELEMENTOS DE SUPERFICIE Y CONTROLES

Los elementos del quemador de superficie están colocados en las mismas ubicaciones sobre la estufa y el panel de control para facilidad de uso.

Estufa radiante LCE3010SB



Estufa radiante LCE3610SB



- 1 WARM (calentar):** Esta tecla baja el elemento activo que se ha seleccionado vez a la configuración más baja.
- 2 POWER ON/OFF (encendido/apagado):** Presione la tecla POWER ON/OFF para encender (ON) o apagar (OFF) toda la estufa. Cuando se enciende, la estufa se encuentra en el modo en espera hasta que se active una zona de cocción.
- 3 CHILD LOCK (bloqueo para niños):** Presione y sostenga durante 3 segundos para activar y desactivar la función de bloqueo para niños.



Para configurar el nivel de energía del elemento: Seleccione el número de las configuraciones de energía del elemento para la zona de cocción activa para ajustar el nivel de energía de 1 a 9.

Indicador de superficie caliente: La luz indicadora debajo de HOT (caliente) se iluminará cuando el área de cocción esté caliente. Permanecerá encendida, aún después de que se haya apagado el control, hasta que el área se enfríe.

INSTRUCCIONES DE OPERACIÓN

ANTES DE USAR LA ESTUFA

Antes de usar la estufa por primera vez, límpiela bien con el limpiador incluido o limpiador de estufas cerámicas según las instrucciones de Cuidado y Limpieza de esta guía. Esto ayudará a proteger la superficie cerámica y facilitar la limpieza futura.

PRECAUCIÓN

Nunca utilice esponjillas para fregar o limpiadores abrasivos o fuertes. Pueden provocar daños permanentes a la superficie de la estufa.

CÓMO CONFIGURAR LOS CONTROLES

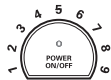
Para operar las teclas táctiles de control, presione la tecla firmemente con la parte plana de la punta del dedo.

PRIMERA OPERACIÓN

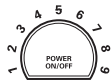
La primera vez que la estufa recibe energía, la pantalla de los controles se enciende durante 1 segundo.

Si no enciende la estufa después de 1 hora, la pantalla de los controles comenzará a destellar.

CÓMO ACTIVAR LA ESTUFA



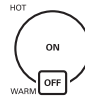
Para encender (ON) la estufa, presione la tecla **POWER ON/OFF** (energía encendida/apagada) durante aproximadamente 2 segundos. El indicador ubicado sobre la tecla se encenderá.



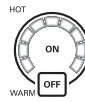
Para apagar (OFF) la estufa, presione la tecla **POWER ON/OFF** (energía encendida/apagada). La luz indicadora ubicada sobre la tecla se apagará.

NOTA: Después de encender la estufa con la tecla **POWER ON/OFF**, debe seleccionarse una de las zonas de cocción dentro de los 15 segundos utilizando las teclas de la zona de cocción. Si no se realiza una selección, la estufa se apagará para seguridad.

CÓMO SELECCIONAR LA ZONA DE COCCIÓN



Para seleccionar la zona de cocción deseada, presione la tecla **ON** (encendido).



La pantalla de la zona de cocción seleccionada se encenderá. Las luces indicadoras de nivel de energía destellarán pero no se ha configurado un nivel de energía.

NOTA: Una vez que se ha seleccionado la zona de cocción con la tecla **ON**, debe seleccionarse el nivel de energía dentro de los 10 segundos con las configuraciones de energía del elemento. De otro modo, la zona de cocción se apagará por seguridad.

CÓMO CONFIGURAR LOS CONTROLES (cont.)

CÓMO CONFIGURAR EL NIVEL DE ENERGÍA

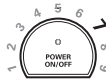
El nivel de energía de la zona de cocción seleccionada puede configurarse de 1 a 9.

Para seleccionar el nivel de energía:

- 1 Seleccione el número de las configuraciones de energía del elemento para la zona de cocción activa para ajustar el nivel de energía de 1 a 9.



- 2 Si se selecciona 7, se activará la zona de cocción. Después de activar la zona de cocción, las luces indicadoras destellarán una vez y bloquearán su selección.



NOTA: Si no se selecciona el nivel de energía, la zona de cocción se apagará después de 10 segundos.



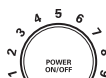
Para reajustar el nivel de energía:

- 1 Encienda (ON) la zona de cocción.
- 2 Para cambiar la energía de la zona de cocción, seleccione el nivel deseado. Si el nivel de energía no se selecciona después de 10 segundos, el nivel de energía de la zona de cocción permanecerá igual.



Para apagar la zona de cocción:

- 1 Después de finalizada la cocción, presione la tecla **OFF** para apagar la zona de cocción.
- 2 La pantalla de la zona de cocción correspondiente se apagará.
- 3 Si se selecciona la tecla **POWER ON/OFF** (energía encendida/apagada), se apagará todas las zonas de cocción.



⚠ ADVERTENCIA

Su estufa cuenta con un indicador de calor residual para cada zona de cocción.

Este indicador le advierte que esta área ha sido usada y todavía emite suficiente calor como para provocar quemaduras. No toque la zona de cocción cuando aparezca este indicador. Aunque la estufa esté apagada (OFF), la luz permanecerá encendida hasta que la estufa se haya enfriado.

Configuración	Función	Utilizada para
9	Calentamiento rápido	Llevar líquidos al hervor.
7-9	Dorado intenso, frituras.	Dorar carnes, calentar aceite para freír, saltear, mantener un hervor rápido para grandes cantidades de líquidos.
6-7	Rostizado, frituras.	Freír carnes, chuletas, panqueques, salchichas, huevos.
4-5	Hervido, cocción general.	Cocinar grandes cantidades, sopas y estofados, cocinar papas al vapor, cocinar caldo de carne.
3-4	Cocción al vapor	Cocinar vegetales al vapor, estofar carnes.
2-3	Cocción a fuego lento	Cocinar a fuego lento platos basados en arroz o leche, cocinar al vapor cantidades más pequeñas de papas y vegetales, calentar comidas listas para servir.
1-2 Calentar	Derretir	Omelettes esponjosos, mantener los platos calientes, derretir manteca o chocolate.

NOTA: Estas configuraciones son pautas recomendadas de cocción. Quizás deba ajustar el nivel de energía para el tipo de alimento y de recipiente.

INSTRUCCIONES DE OPERACIÓN

CÓMO CONFIGURAR LOS CONTROLES (cont.)

CALENTAR

La estufa cuenta con la característica de configuración WARM (calentar) que puede utilizarse en todas las zonas de cocción con excepción del elemento de zona de calentamiento.

Para activar:

Presione la tecla **ON** para activar la zona de cocción deseada y presione la tecla WARM (calentar). La zona de cocción seleccionada quedará en la configuración LOW (baja). La luz indicadora ubicada sobre WARM se encenderá.



Para cambiar el nivel de energía:

Presione la tecla **ON** y seleccione un nuevo número de las configuraciones de energía del elemento. La luz indicadora ubicada sobre WARM se apagará.

CÓMO USAR LA ZONA DE CALENTAMIENTO

ZONA DE CALENTAMIENTO

Utilice la zona de calentamiento para mantener calientes alimentos cocidos, tales como vegetales, gravies y platos para cena aptos para hornos.

Para activar la zona de calentamiento:



Presione la tecla **WARMING ZONE ON** (encendido de la zona de calentamiento).

Configure el nivel de energía deseado de las configuraciones de energía del elemento.

NOTA:

- Todos los alimentos deben estar cubiertos con una tapa o papel de aluminio para mantener la calidad.
- Al calentar pastelitos y pan, la tapa debe tener un orificio para que salga la humedad.
- No utilice envoltorios plásticos para cubrir alimentos. El plástico puede derretirse en la superficie y será muy difícil limpiarlo.
- Use sólo recipientes de cocción y platos recomendados como seguros para uso en estufas.
- Siempre utilice agarraderas cuando quite alimentos de la zona de calentamiento ya que los recipientes de cocción y los platos estarán calientes.
- Nunca caliente alimentos por más de una hora (huevos por 30 minutos) porque su calidad puede deteriorarse.
- No caliente alimentos fríos en la zona de calentamiento.
- La cantidad y tipo de alimentos de los recipientes puede afectar la configuración de calor requerida.
- No utilice grandes recipientes o grandes cantidades de alimentos porque podría generarse un calentamiento desparejo.
- Siempre conserve los alimentos a temperaturas adecuadas. USDA recomienda temperaturas entre 140° - 170 °F (con excepción de los pastelitos).

Guía de nivel de calentamiento

Configuraciones	Se usan en
1-2	Pastelitos, panes, alimentos para desayuno (huevos) Alimentos delicados
3-5	Sopas (crema), estofados Vegetales, carnes de res
6-8	Salsas, gravies.
9	Bebidas calientes Sopas (líquidas)

INSTRUCCIONES DE OPERACIÓN

CÓMO USAR LAS ZONAS DE COCCIÓN TRIPLES (sólo LCE3610SB)

El elemento triple, ubicado en la posición central, ofrece tres elementos de tamaño diferente para ubicar tamaños de recipiente diferentes.



Para activar la zona de cocción triple



- 1 Presione la tecla **ON** (encendido).
Se activará el elemento ubicado más en el centro.
- 2 Presione de nuevo la tecla **ON** para activar las áreas central y del medio (elemento doble).



La luz indicadora ubicada debajo de **D** (doble) se encenderá.

- 3 Presione de nuevo la tecla **ON** para activar todo el elemento (elemento triple).



La luz indicadora ubicada debajo de **D** (doble) y **T** (Triple) se encenderá.

- 4 Seleccione el nivel de energía deseado.

CÓMO USAR LAS ZONAS DE COCCIÓN DOBLES

El elemento doble, ubicado en la posición frontal derecha, ofrece dos elementos de tamaño diferente para ubicar tamaños de recipiente diferentes. Utilice una o dos secciones del elemento para ubicar tamaños diferentes de recipiente.

Sólo LCE3010SB



Para activar la zona de cocción doble



- 1 Presione la tecla **ON** (encendido).
Se activará el elemento ubicado más en el centro.
- 2 Presione de nuevo la tecla **ON** para activar todo el elemento (doble).



La luz indicadora ubicada debajo de **D** (doble) se encenderá.

- 3 Seleccione el nivel de energía deseado.

Sólo LCE3610SB



INSTRUCCIONES DE OPERACIÓN

CÓMO USAR EL BLOQUEO PARA NIÑOS

Usted puede bloquear toda la estufa en cualquier momento cuando no se encuentre en uso. Bloquear la estufa evitará que las zonas de cocción se enciendan accidentalmente.

CÓMO CONFIGURAR EL BLOQUEO PARA NIÑOS



La estufa debe estar apagada (OFF) para poder configurar la función **CHILD LOCK** (bloqueo para niños). Si no se encuentra apagada, presione y sostenga la tecla **POWER** por aproximadamente 2 segundos. La luz indicadora ubicada sobre la tecla **POWER** se apagará.



Presione y sostenga la tecla de **CHILD LOCK** (bloqueo para niños) durante 3 segundos. La luz indicadora ubicada sobre la tecla **CHILD LOCK** se encenderá para indicar que la estufa se encuentra bloqueada.

CÓMO CANCELAR EL BLOQUEO PARA NIÑOS



Para apagar el bloqueo para niños, presione y sostenga la tecla **CHILD LOCK** durante 3 segundos. La luz indicadora ubicada sobre la tecla se apagará y la estufa podrá usarse normalmente.

OTRAS FUNCIONES

APAGADO AUTOMÁTICO

Si la zona de cocción se utiliza en forma constante por más de 17 horas y la configuración de control no se modifica, la zona de cocción se apagará automáticamente.

CONTROL AUTOMÁTICO DE NIVEL DE ENERGÍA

El nivel de energía indicado puede ser diferente del nivel de energía real en el rango de temperatura alta. Para evitar que la estufa se sobrecaliente, el nivel de energía se controla automáticamente.

CÓMO LIMPIAR LA ESTUFA

LIMPIEZA DIARIA NORMAL

Utilice **SÓLO** el limpiador de superficies de cocción de cerámica o el limpiador de superficies de cocción incluido con su cocina, sobre la superficie de cocción de vidrio. Otras cremas pueden no ser tan eficaces o podrían dañar la superficie con rayas o manchas permanentes. Con el fin de mantener y proteger la superficie de su superficie de cocción de vidrio, siga los pasos siguientes:

- 1 Antes de utilizar la superficie de cocción por primera vez, límpiela con un limpiador de superficies de cocción de cerámica o el limpiador proporcionado. Así se ayuda a proteger la superficie y se facilita la limpieza.
- 2 El uso diario del limpiador de superficies de cocción de cerámica o el limpiador proporcionado ayudará a mantener la superficie de cocción como nueva.
- 3 Agite bien la crema limpiadora. Ponga unas cuantas gotas del limpiador directamente en la superficie de cocción.
- 4 Utilice papel de cocina para limpiar toda la superficie de cocción.
- 5 Enjuague con agua limpia y utilice un paño seco o papel de cocina para retirar todos los residuos.

NOTA:

No caliente la superficie de cocción hasta que quede completamente limpia.

⚠ PRECAUCIÓN

- **NO utilice esponjas abrasivas o paños de limpieza metálicos.**
 - Pueden dañar la superficie de vidrio del anafe.
- **Por seguridad, póngase un guante de cocina en la mano con la que limpiará la superficie caliente de la placa.**

RESIDUOS QUEMADOS ADHERIDOS

Limpieza de la vitrocerámica

Paso. 1

Retire primero todos los restos quemados o comida derramada en la superficie de cocción vitrocerámica con ayuda de un raspador



metálico adecuado (como raspar pintura de los vidrios - esto no dañará la superficie). Sujete el raspador formando un ángulo aproximado de 30° con la placa.

NOTA: No utilice un raspador con una cuchilla roma o dañada. Por seguridad, póngase un guante de cocina en la mano al utilizar el raspador.

Paso. 2

Cuando la superficie de cocción se haya enfriado, aplique unas gotas (aproximadamente del tamaño de una moneda) de un limpiador para placa de cocción de vitrocerámica en el área de cada quemador y pase la crema de limpieza sobre la superficie de la placa de cocción por inducción con una toalla de papel húmeda.



Paso. 3

El último paso consiste en enjuagar con agua limpia y frotar la superficie de cocción con papel de cocina limpio y seco.



Importante: Si algún resto de azúcar o alimento que contiene azúcar (conservas, cátsup, salsa de tomate, gelatina, caramelo, dulce, jarabe, chocolate, etc.), un artículo de plástico o papel de aluminio se derritiera sobre la superficie de cocción caliente, retire el material derretido **INMEDIATAMENTE** con ayuda de un raspador con cuchilla metálica (esto no dañará la superficie de cocción decorada) **mientras que la superficie aún esté caliente para evitar el riesgo de daños en la superficie vitrocerámica. Por seguridad, póngase un guante de cocina en la mano al limpiar la superficie de cocción caliente.**

MARCAS Y RASPONES METÁLICOS

- 1 Tenga cuidado de no deslizar las cacerolas o bandejas por la superficie de cocción. Van a quedar marcas metálicas por toda la superficie de cocción. Estas marcas pueden ser eliminadas utilizando limpiador y bayeta para vitrocerámicas.
- 2 Si permite que el contenido de las cacerolas con una capa delgada de aluminio o cobre hierva hasta que se consuma, esa capa delgada podría dejar una decoloración negra en la superficie de cocción. Eso deberá quitarse inmediatamente antes de volver a calentar o la decoloración podría ser permanente.

INSTRUCCIONES DE INSTALACIÓN

LAS INSTRUCCIONES DE INSTALACIÓN Y LAS REPARACIONES DEBE REALIZARLAS UN INSTALADOR CALIFICADO.

IMPORTANTE: GUARDE ESTAS INSTRUCCIONES PARA EL USO DEL INSPECTOR ELÉCTRICO LOCAL.

LEA Y GUARDE ESTAS INSTRUCCIONES PARA REFERENCIA FUTURA.

ANTES DE COMENZAR

Lea estas instrucciones por completo y con detenimiento.

NOTAS AL INSTALADOR:

- Lea todas las instrucciones incluidas en estas instrucciones de instalación antes de instalar la estufa.
- Quite todo el material de empaque antes de conectar el suministro eléctrico a la estufa.
- Cumpla con todos los códigos y ordenanzas vigentes.
- Sólo ciertos modelos de estufa pueden instalarse sobre ciertos modelos de horno eléctrico empotrado.
- Asegúrese de dejar estas instrucciones con el consumidor.

NOTA AL CONSUMIDOR:

Conserve la Guía de usuario y las Instrucciones de instalación para referencia futura.

NOTA: Esta unidad debe contar con una adecuada conexión a tierra.

Los daños provocados por no seguir estas instrucciones no se encuentran cubiertos por la garantía de la estufa.

CÓMO DESEMPACAR LA ESTUFA

- 1 Desempaque e inspeccione visualmente la estufa en busca de daños o componentes faltantes.
- 2 Asegúrese de que la botella de limpiador y acondicionador ubicadas dentro de la bolsa con las instrucciones queden en un lugar fácil de encontrar para el usuario. Es importante que la estufa de vidrio cerámico se trate previamente al uso. Ver **CUIDADO Y LIMPIEZA**.

INSTRUCCIONES DE INSTALACIÓN

ESPECIFICACIONES TÉCNICAS

Estufa radiante LCE3010SB

DIMENSIONES DE LA ESTUFA

Ancho	30-27/32" (783 mm)
Profundidad	21-15/32" (545 mm)
Altura	4" (101.6 mm)

ZONAS DE COCCIÓN

Posición	Diámetro	Energía
Frontal izquierda	6" (152 mm)	1200 W
Frontal derecha	9"/6" (229/152 mm)	3000/1400 W
Trasera izquierda	8" (203 mm)	1900 W
Trasera derecha	6" (152 mm)	100 W (Calentar)
Central	7" (178 mm)	1500 W

Estufa radiante LCE3610SB

DIMENSIONES DE LA ESTUFA

Ancho	36-11/16" (932 mm)
Profundidad	21-15/16" (557 mm)
Altura	4" (101.6 mm)

ZONAS DE COCCIÓN

Posición	Diámetro	Energía
Frontal izquierda	6" (152mm)	1200 W
Frontal derecha	9"/6" (229/152 mm)	3000/1400 W
Trasera izquierda	8"/5" (203/127 mm)	1900/950W
Trasera derecha	6" (152 mm)	100 W (Calentar)
Central	12"/9"/6" (305/229/152 mm)	3000/2200/1100 W

DIMENSIONES DE LA ABERTURA DEL MOSTRADOR DE ENCIMERA

Ancho	29-3/8" (746 mm)
Profundidad	20-1/4" (515 mm)

ESPECIFICACIONES ELÉCTRICAS

Voltaje de conexión:

240/208 VAC 60 Hz.
32.1A/27.9 A

Carga de energía máxima conectada:

7700 W/5800 W

DIMENSIONES DE LA ABERTURA DEL MOSTRADOR DE ENCIMERA

Ancho	34-9/16" (878 mm)
Profundidad	20-3/8" (517 mm)

ESPECIFICACIONES ELÉCTRICAS

Voltaje de conexión:

240/208 VAC 60 Hz.
38.3/33.2 A

Carga de energía máxima conectada:

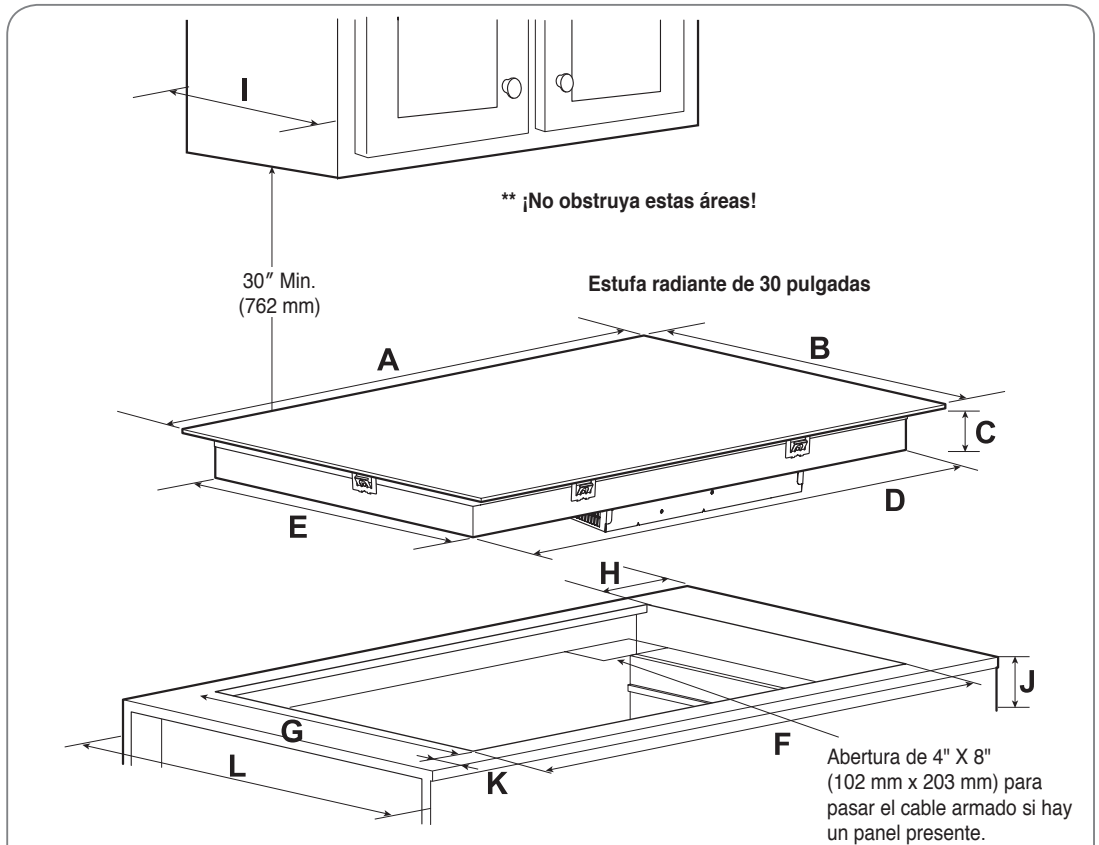
9200/6900 W

INSTRUCCIONES DE INSTALACIÓN

CÓMO PREPARAR LA UBICACIÓN DE INSTALACIÓN

INFORMACIÓN IMPORTANTE SOBRE LA INSTALACIÓN

- Todas las estufas eléctricas funcionan con un suministro eléctrico de fase única, de tres o cuatro hilos, 240/208 voltios, 60 hercios, sólo AC y con conexión a tierra.
- La distancia mínima entre la estufa y los gabinetes superiores es de 30" (762 mm).
- Asegúrese que los gabinetes y las cubiertas de las paredes alrededor de la estufa puedan soportar las temperaturas generadas por la estufa (hasta 93°C [200°F]).



Estufa radiante LCE3010SB

Unidad	A	B	C	D	E	F	G	H	I	J	K	L
						Min	Min		Max	Min		
Pulgada	30-27/32	21-15/32	3-3/4	28-13/16	19-5/8	29-3/8	20-1/4	13/16	13	5-23/32	2-1/2	24
mm	783	545	95	732	498	746	515	20	330	145	64	610

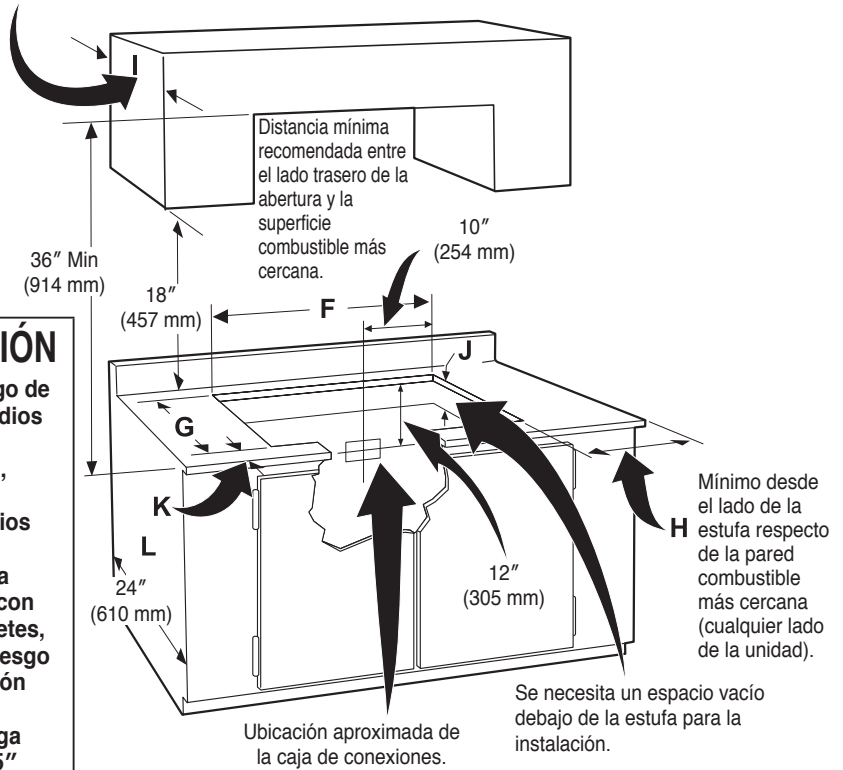
Todas las dimensiones están establecidas en pulgadas y milímetros (mm).

Deje un espacio de 2" (50 mm) debajo de la abertura del cable armado para dar espacio al cable eléctrico y dejar espacio para la instalación de la caja de conexiones sobre la pared en la parte trasera de la estufa.

INSTRUCCIONES DE INSTALACIÓN

DIMENSIONES Y ESPACIOS

El gabinete superior no debe superar una profundidad máxima de 13" (330 mm).



⚠ PRECAUCIÓN

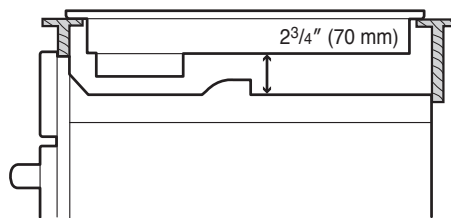
Para eliminar el riesgo de quemaduras o incendios por inclinarse sobre superficies calientes, debe evitarse la instalación de espacios de almacenamiento en gabinetes sobre la estufa. Si se cuenta con un espacio de gabinetes, puede reducirse el riesgo mediante la instalación de una campana de cocina que sobresalga horizontalmente en 5" (127 mm) como mínimo más allá de la parte frontal de los gabinetes.

Modelo	H	K
LCE3010SB	3-3/4" (95 mm)	2-1/2" (64 mm)

⚠ PRECAUCIÓN

Es muy importante mantener una distancia de 2 3/4" (70 mm) entre la encimera y el horno.

■ Espacio recomendado entre la encimera y el horno

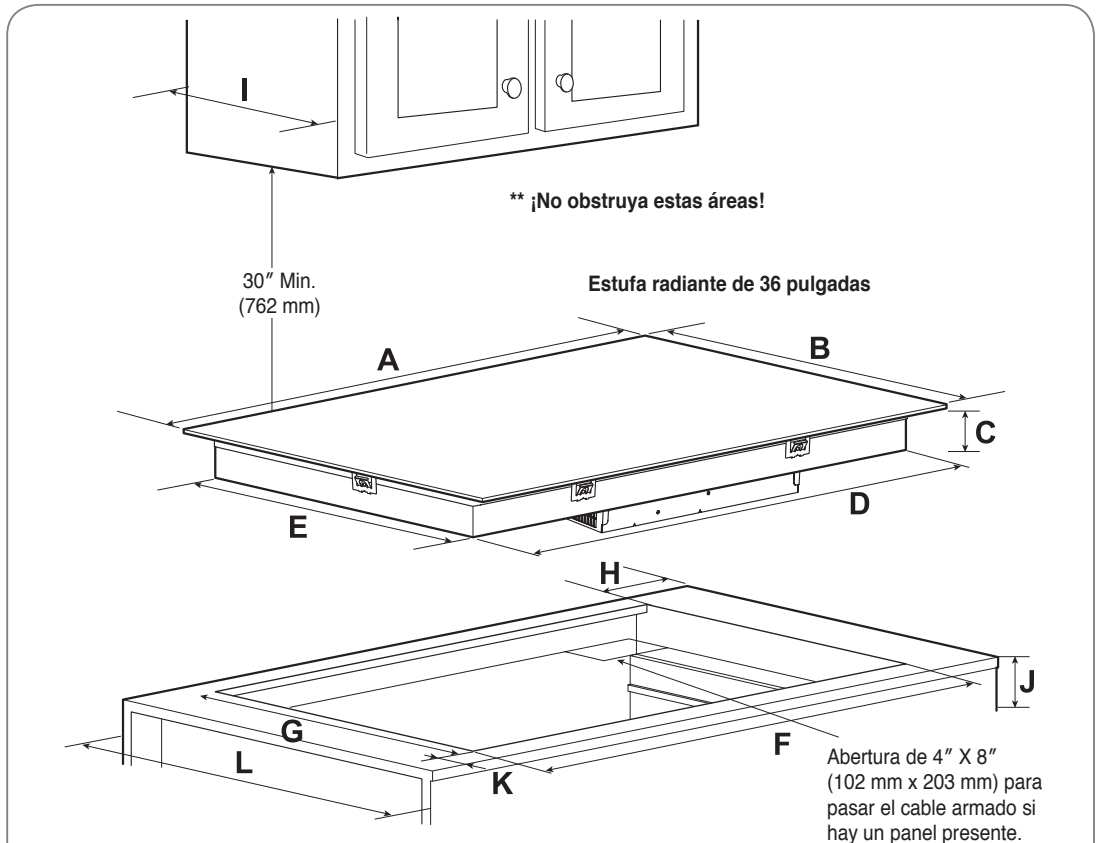


INSTRUCCIONES DE INSTALACIÓN

CÓMO PREPARAR LA UBICACIÓN DE INSTALACIÓN

INFORMACIÓN IMPORTANTE SOBRE LA INSTALACIÓN

- Todas las estufas eléctricas funcionan con un suministro eléctrico de fase única, de tres o cuatro hilos, 240/208 voltios, 60 hercios, sólo AC y con conexión a tierra.
- La distancia mínima entre la estufa y los gabinetes superiores es de 30" (762 mm).
- Asegúrese que los gabinetes y las cubiertas de las paredes alrededor de la estufa puedan soportar las temperaturas generadas por la estufa (hasta 93°C [200°F]).



Estufa radiante LCE3610SB

Unidad	A	B	C	D	E	F	G	H	I	J	K	L
						Min	Min		Max	Min		
Pulgada	36-11/16	21-15/16	3-3/4	33-27/32	19-25/32	34-9/16	20-3/8	13/16	13	5-23/32	2-1/2	24
mm	932	557	95	860	502	878	517	20	330	145	64	610

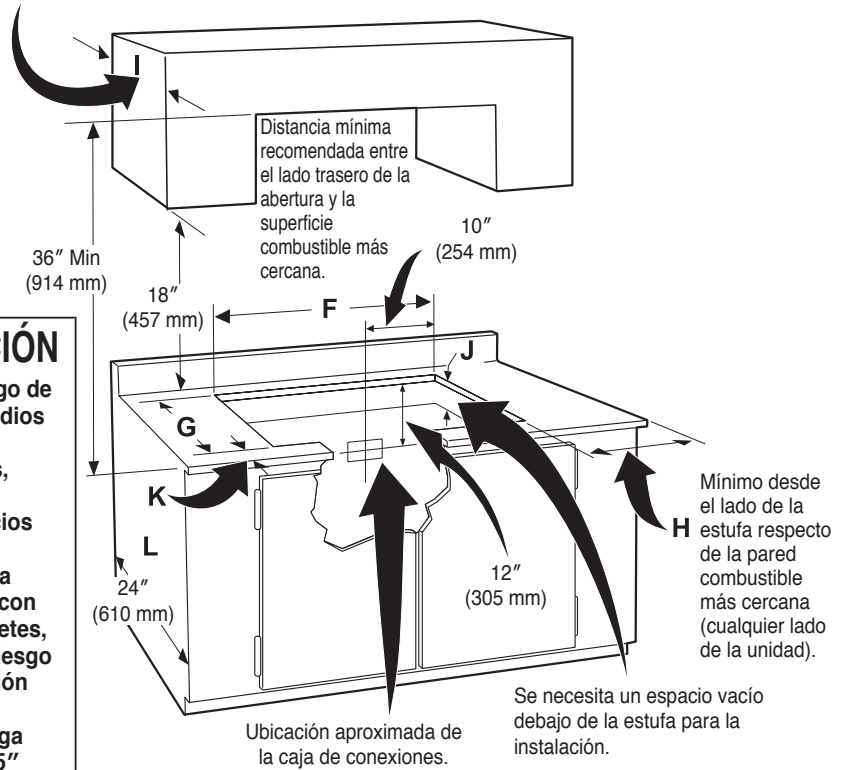
Todas las dimensiones están establecidas en pulgadas y milímetros (mm).

Deje un espacio de 2" (50 mm) debajo de la abertura del cable armado para dar espacio al cable eléctrico y dejar espacio para la instalación de la caja de conexiones sobre la pared en la parte trasera de la estufa.

INSTRUCCIONES DE INSTALACIÓN

DIMENSIONES Y ESPACIOS

El gabinete superior no debe superar una profundidad máxima de 13" (330 mm).



⚠ PRECAUCIÓN

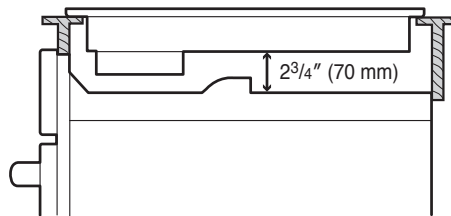
Para eliminar el riesgo de quemaduras o incendios por inclinarse sobre superficies calientes, debe evitarse la instalación de espacios de almacenamiento en gabinetes sobre la estufa. Si se cuenta con un espacio de gabinetes, puede reducirse el riesgo mediante la instalación de una campana de cocina que sobresalga horizontalmente en 5" (127 mm) como mínimo más allá de la parte frontal de los gabinetes.

Modelo	H	K
LCE3610SB	3-3/4" (95 mm)	2-1/2" (64 mm)

⚠ PRECAUCIÓN

Es muy importante mantener una distancia de 2 3/4" (70 mm) entre la encimera y el horno.

■ Espacio recomendado entre la encimera y el horno



INSTRUCCIONES DE INSTALACIÓN

CONEXIONES ELÉCTRICAS

INSTRUCCIONES IMPORTANTES DE SEGURIDAD

- Verifique que un instalador o un técnico calificado instale su estufa correctamente con adecuada conexión a tierra.
- Esta estufa debe conectarse a tierra de acuerdo con los códigos locales o, si no los hubiere, con el Código Eléctrico Nacional ANSI/NFPA No. 70, última edición en los Estados Unidos.

ADVERTENCIA

La energía eléctrica hacia la estufa debe desconectarse mientras se realizan las conexiones de la línea. No hacerlo puede provocar la muerte o una lesión personal grave.

CÓMO REALIZAR LA CONEXIÓN ELÉCTRICA

Instale la caja de conexiones bajo el gabinete y coloque un cable de 120/240 o 120/208 voltios AC desde el panel de circuitos principal.

NOTA: NO conecte el cable al panel de circuitos en este momento.

REQUERIMIENTOS ELÉCTRICOS

Cumpla con todos los códigos y ordenanzas locales vigentes.

- 1 Se requiere un suministro eléctrico de 3 o 4 hilos de fase única de 120/240 o 120/208 voltios, 60 Hz sólo AC en un circuito separado con fusibles a ambos lados de la línea (se recomiendan fusibles con retraso o interruptores de circuito). NO coloque fusibles en el neutral. El tamaño del fusible no debe superar la clasificación del circuito del aparato especificado en la placa.
- 2 Una estufa radiante de 36" puede consumir hasta 9200 W a 240 VAC. Debe utilizarse un interruptor de circuitos de 50 amp con un calibre de cable #8 AWG.
Una estufa radiante de 30" puede consumir hasta 7700 W a 240 VAC. Debe utilizarse un interruptor de circuitos de 40 amp con un calibre de cable #8 AWG.
- 3 El aparato debe conectarse a la caja de desconexión del fusible (o interruptor de circuitos) a través de un cable flexible armado o enfundado no metálico.
El cable armado flexible que se extiende desde este aparato debe conectarse directamente a la caja de conexiones con conexión a tierra. La caja de conexiones debe ubicarse como se señala en la página 21 o 23 con una longitud de cable lo más larga posible entre la caja y el aparato, para que pueda moverse si alguna vez hace falta una reparación.
- 4 Debe proveerse un alivio de tensión adecuado para conectar el cable armado a la caja de conexiones.

NOTA: Los tamaños y conexiones de cable deben cumplir con el tamaño de fusible y clasificación del aparato en conformidad con el Código Eléctrico Nacional ANSI/NFPA No. 70, última edición y los códigos y ordenanzas locales.

ADVERTENCIA

No debe usarse un cable de extensión con este aparato. Dicho uso puede provocar un incendio, descarga eléctrica u otra lesión personal.

INSTRUCCIONES DE INSTALACIÓN

CONEXIONES ELÉCTRICAS (cont.)

CONEXIÓN ELÉCTRICA

Conecte el cable armado flexible que se extiende desde la unidad de superficie a la caja de conexiones utilizando un alivio de tensión en el punto donde el cable armado ingresa a la caja de conexiones. Luego realice la conexión eléctrica de la siguiente manera.

Se requiere conexión a tierra en este aparato.

Este aparato se fabrica con un cable de suministro y un cable de conexión a tierra conectado al armazón de color verde o cobre.

NOTA AL ELECTRICISTA:

Los cables armados suministrados con este aparato están reconocidos por UL para conexiones con cableados domésticos de calibre mayores. La aislación de estos cables está clasificada a temperaturas mucho más elevadas que la clasificación del cableado doméstico. La capacidad de transmitir corriente del conductor está determinada por la clasificación de temperatura de la aislación alrededor del cable, en lugar del calibre del cable por sí solo.

⚠ ADVERTENCIA

NO conecte a tierra la tubería de suministro de gas. NO conecte al suministro de energía eléctrica hasta que el aparato se encuentre permanentemente conectado a tierra. Conecte el cable a tierra antes de accionar la energía.

⚠ ADVERTENCIA

Este aparato se encuentra equipado con un cable flexible conductor de cobre. Si la conexión se realiza con cableado doméstico de aluminio, utilice sólo conectores especiales que hayan sido aprobados para unir cables de cobre y aluminio en cumplimiento con el Código Eléctrico Nacional y los códigos y ordenanzas locales. Una conexión inadecuada de cableado doméstico de aluminio con cables de cobre puede generar un cortocircuito o un incendio. Siga al pie de la letra el procedimiento recomendado del fabricante del conector.

DONDE LOS CÓDIGOS LOCALES PERMITEN LA CONEXIÓN DE CONDUCTOR A TIERRA DEL APARATO AL CABLE NEUTRAL (BLANCO)

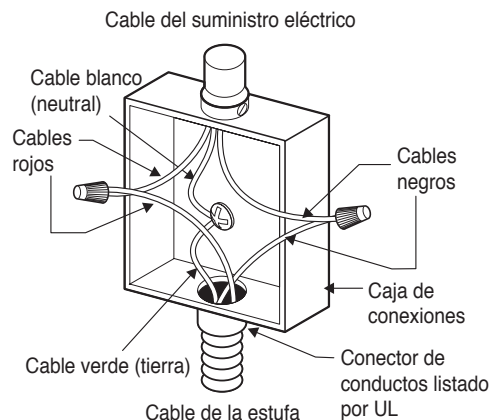
Cumpla con todos los códigos y ordenanzas locales vigentes.

- 1 Desconecte el suministro de energía.
- 2 En la caja del interruptor de circuitos, caja de fusibles o caja de conexiones, conecte el aparato y cables de suministro de energía como se indica.

⚠ ADVERTENCIA

Usted no puede conectar a tierra la estufa a través del cable neutral (blanco) si la estufa se usa en una instalación nueva de circuito derivado (1996 NEC), una casa rodante, vehículo recreativo, o donde los códigos locales no permiten la conexión a tierra con el cable neutral (blanco). onde el cable neutral (blanco) de conexión a tierra se encuentra prohibido, debe utilizarse un cable de suministro de energía de 4 hilos. No prestar atención a esta advertencia puede provocar una electrocución u otra lesión personal grave.

CAJA DE CONEXIONES CON CONEXIÓN A TIERRA DE 3 HILOS



INSTRUCCIONES DE INSTALACIÓN

CONEXIONES ELÉCTRICAS (cont.)

SI LA ESTUFA SE USA EN UNA INSTALACIÓN NUEVA DE CIRCUITO DERIVADO (1996 NEC), CASA RODANTE, VEHÍCULO RECREATIVO, O DONDE LOS CÓDIGOS LOCALES NO PERMITEN LA CONEXIÓN A TIERRA CON EL CABLE NEUTRAL (BLANCO).

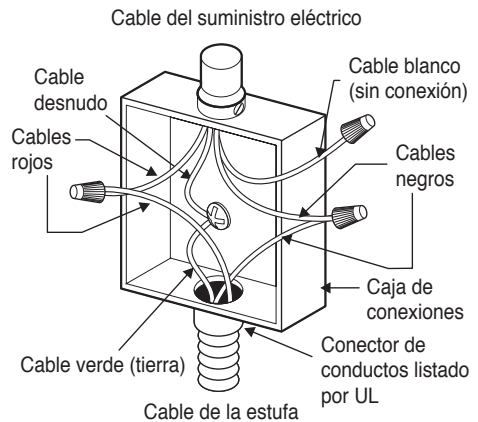
Cumpla con todos los códigos y ordenanzas locales vigentes.

- 1 Desconecte el suministro de energía.
- 2 En la caja del interruptor de circuitos, caja de fusibles o caja de conexiones, conecte el aparato y cables de suministro de energía como se indica.

⚠ ADVERTENCIA

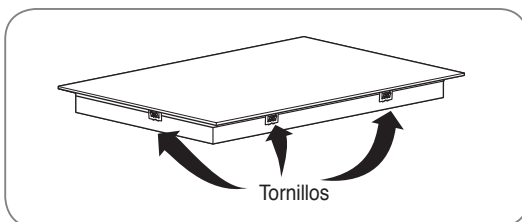
Si se realiza la conexión a un sistema eléctrico de cable de energía de 4 hilos, el cable de conexión a tierra conectado al armazón del aparato **NO DEBE** conectarse al cable neutral del sistema eléctrico de 4 hilos.

CAJA DE CONEXIONES CON CONEXIÓN A TIERRA DE 4 HILOS



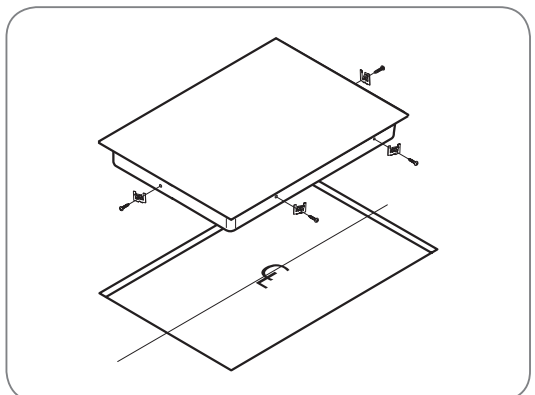
INSTALACIÓN DE LA ESTUFA

- 1 Inspeccione la estufa visualmente en busca de daños. Asegúrese de que todos los tornillos de la estufa estén bien ajustados (ver abajo para las ubicaciones).



- 2 Con cuidado baje la estufa dentro de la abertura del mostrador de encimera, asegurándose de no enganchar ningún cable.

NOTA: No utilice compuesto de calafateo. La estufa debe poder moverse, si se necesitara efectuar una reparación.



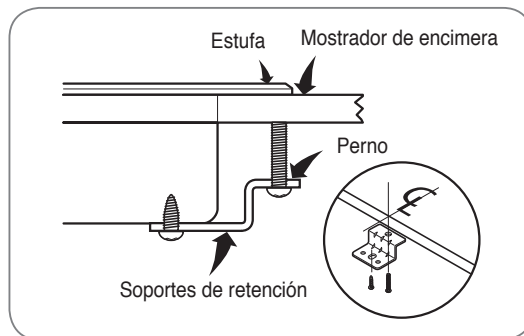
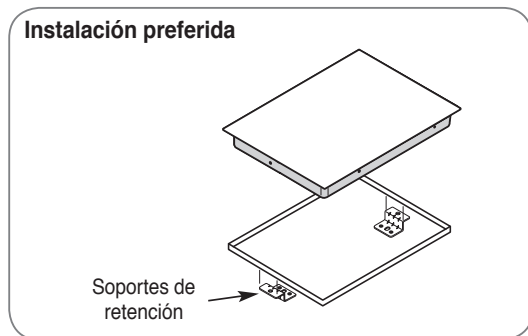
INSTRUCCIONES DE INSTALACIÓN

INSTALACIÓN DE LA ESTUFA (cont.)

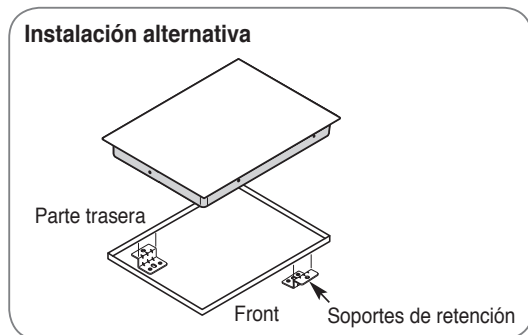
- 3 Instale los soportes de retención en la parte inferior de la estufa. Luego ajuste los pernos contra la base del mostrador de encimera como puede verse.

NOTA: Los soportes de retención **DEBEN** instalarse en cumplimiento con los códigos locales o, en su ausencia, con el Código Eléctrico Nacional ANSI/NFPA No. 70, última edición.

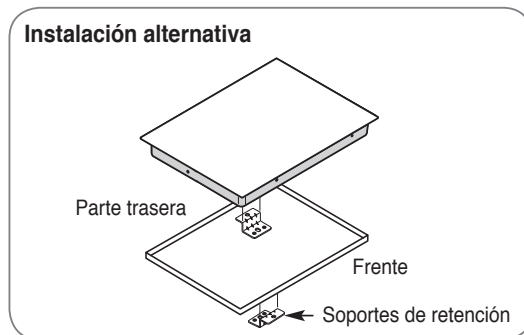
Estufa radiante LCE3010SB / LCE3610SB



Estufa radiante LCE3010SB



Estufa radiante LCE3610SB



CONTROL FINAL

Realice un control final de funcionamiento de la estufa, verificando que se encienda correctamente y que cada zona de cocción funcione en forma adecuada. Para detalles, consulte las Instrucciones de operación de esta guía.

⚠ PRECAUCIÓN

No toque el vidrio de la estufa o las zonas de cocción. Pueden estar lo suficientemente calientes como para provocar quemaduras.

UBICACIÓN DEL NÚMERO DE MODELO Y DE SERIE

Los números de modelo y de serie se encuentran en una placa ubicada en la parte inferior de la estufa. Tenga a bien registrarlos en esta guía; puede necesitarlos para el registro de garantía.

IDENTIFICACIÓN Y SOLUCIÓN DE PROBLEMAS


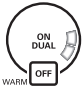
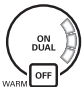
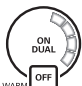
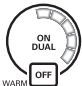
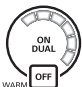
ANTES DE LLAMAR AL SERVICIO TÉCNICO

Antes de llamar al servicio técnico, examine esta lista. Puede ahorrarle tiempo y dinero. La lista incluye situaciones comunes que no son el resultado de mano de obra o materiales defectuosos del artefacto.

Problema	Causas posibles	Soluciones
La estufa no funciona	<ul style="list-style-type: none">• Los controles de la estufa están bloqueados.• El interruptor de circuitos saltó o se quemó el fusible.• Corte de energía.• El cableado de instalación no está completo.	<ul style="list-style-type: none">• Ver CÓMO USAR EL BLOQUEO PARA NIÑOS para desactivar la característica BLOQUEO PARA NIÑOS.• Reconfigure el interruptor de circuitos.• Verifique las luces del hogar para confirmar el corte de energía.• Comuníquese con el instalador o vendedor.
La estufa no calienta.	<ul style="list-style-type: none">• La zona de cocción seleccionada es incorrecta.• La estufa no recibe energía.	<ul style="list-style-type: none">• Asegúrese de que el control correcto esté accionado para la zona de cocción que se está usando.• Ver "La estufa no funciona" arriba.
Los elementos se apagan durante la cocción.	<ul style="list-style-type: none">• La temperatura interna de la estufa es muy elevada.	<ul style="list-style-type: none">• Verifique que la estufa se haya instalado de acuerdo con las instrucciones de instalación.
Los elementos no se calientan lo suficiente.	<ul style="list-style-type: none">• Los controles táctiles pueden estar mal configurados.• Los recipientes de cocción no tienen la forma o tamaño correctos o no son planos.	<ul style="list-style-type: none">• Verifique el nivel de energía.• Use los recipientes recomendados. Ver la página 8-9.
Se escucha un ventilador.	<ul style="list-style-type: none">• La temperatura interna de la estufa es elevada.	<ul style="list-style-type: none">• Esto es normal. El ventilador de refrigeración funciona cuando cualquier elemento está encendido. Con un uso intenso, el ventilador puede seguir funcionando después de que se hayan apagado los controles hasta que la estufa se enfríe.

IDENTIFICACIÓN Y SOLUCIÓN DE PROBLEMAS

ANTES DE LLAMAR AL SERVICIO TÉCNICO

Problema	Causas posibles	Soluciones
Parpadeo 	<ul style="list-style-type: none"> Hay un problema con el termistor o Micom. 	<ul style="list-style-type: none"> Apague la estufa utilizando la tecla Power ON/OFF. Vuelva a encender la estufa utilizando la tecla Power ON/OFF.
Parpadeo 		
Parpadeo 		
Parpadeo 	<ul style="list-style-type: none"> Derrame de alimentos/suciedad sobre las teclas táctiles. Un objeto sobre las teclas táctiles. El tiempo de presión es largo. 	<ul style="list-style-type: none"> Limpie la superficie. Quite el objeto de la tecla táctil. Si se presiona alguna de las teclas por más de 10 segundos en forma continua, podrá verse este error. Si se coloca agua o un objeto metálico sobre las teclas, podrá verse este error. Apague la estufa utilizando la tecla Power ON/OFF. Vuelva a encender la estufa utilizando la tecla Power ON/OFF.
Parpadeo 	<ul style="list-style-type: none"> Hay un problema con la pantalla. 	<ul style="list-style-type: none"> Apague la estufa utilizando la tecla Power ON/OFF. Vuelva a encender la estufa utilizando la tecla Power ON/OFF.
Parpadeo 	<ul style="list-style-type: none"> Detección de voltaje bajo. 	<ul style="list-style-type: none"> Esto representa voltaje bajo dirigido a la estufa. Llame a un electricista con licencia.

GARANTÍA LIMITADA (EE. UU.)

AVISO DE ARBITRAJE: ESTA GARANTÍA LIMITADA CONTIENE UNA CLÁUSULA DE ARBITRAJE QUE LE DEMANDA A USTED Y A LG RESOLVER CONFLICTOS A TRAVÉS DE UN ARBITRAJE VINCULANTE EN LUGAR DE HACERLO EN LA CORTE, A MENOS QUE USTED DECIDA NO PARTICIPAR. EN EL ARBITRAJE NO ESTÁN PERMITIDAS LAS ACCIONES COLECTIVAS NI LOS JUICIOS CON JURADO. POR FAVOR, VEA A CONTINUACIÓN LA SECCIÓN TITULADA “PROCEDIMIENTO PARA RESOLVER CONFLICTOS”.

En caso de que su estufa de radiantea LG (“Producto”) presente alguna falla por defectos de materiales o de fabricación bajo uso apropiado y normal durante el período de garantía establecido más abajo, el mismo será reparado o reemplazado por LG Electrónicos (“LG”), a su opción. Esta garantía limitada es válida únicamente para el comprador final original del producto, y únicamente cuando el producto ha sido comprado y utilizado dentro de los Estados Unidos, incluidos los territorios norteamericanos.

Período de garantía	Alcance de la garantía	CÓMO SE MANEJA EL SERVICIO TÉCNICO
Un (1) año a partir de la fecha de compra minorista original	Piezas y mano de obra (solo partes internas / funcionales)	LG proporcionará, de forma gratuita, todo el trabajo y el servicio a domicilio para reemplazar las piezas defectuosas.

- Los productos y las piezas de repuesto están garantizados durante el tiempo restante del período original de garantía o noventa (90) días, lo que resulte mayor.
- Los productos y las piezas de repuesto pueden ser nuevos, reparados, reacondicionados, o reconstruidos por la fábrica.
- Es necesario presentar prueba de la compra minorista especificando el modelo del producto y la fecha de compra para obtener el servicio de garantía bajo esta garantía limitada.

SALVO LO PROHIBIDO POR LA LEY, TODA GARANTÍA DE COMERCIALIZACIÓN O IDONEIDAD IMPLÍCITA, PARA UN PROPÓSITO PARTICULAR EN EL PRODUCTO, ESTÁ LIMITADA A LA DURACIÓN DE LA GARANTÍA ARRIBA EXPRESADA. BAJO NINGUNA CIRCUNSTANCIA DEBERÁ LG O SUS DISTRIBUIDORES/REPRESENTANTES SER RESPONSABLE POR CUALQUIER DAÑO INDIRECTO, INCIDENTAL, CONSECUENTE, ESPECIAL, O PUNITIVO, LO CUAL INCLUYE PERO NO SE LIMITA A, PÉRDIDA DE FONDOS DEL COMERCIO, GANANCIAS PERDIDAS, INTERRUPTIÓN DEL TRABAJO, DETERIORO DE OTROS BIENES, COSTO DE REMOVER Y REINSTALAR EL PRODUCTO, PÉRDIDA DE USO, O CUALQUIER OTRO DAÑO YA SEA BASADO EN CONTRATO, PERJUICIO, U OTROS. LA RESPONSABILIDAD TOTAL DE LG, EN CASO EXISTA, NO EXCEDERÁ EL PRECIO QUE USTED PAGÓ POR ADQUIRIR EL PRODUCTO.

Algunos estados no permiten la exclusión o limitación de daños incidentales o emergentes, o limitaciones a la duración de la garantía implícita, por lo que la exclusión o limitación anteriormente mencionada podrían no corresponder en su caso. Esta garantía limitada le otorga derechos legales específicos y es posible que usted cuente con otros derechos que varían según el estado.

ESTA GARANTÍA LIMITADA NO CUBRE LO SIGUIENTE:

- Viajes del servicio técnico para entregar, buscar o instalar el producto, instruir al cliente sobre la operación del mismo, corregir el cableado o las reparaciones/instalaciones no autorizadas.
- Daño o fallo del producto al operar durante fallas e interrupciones del suministro eléctrico, o resultado de un servicio eléctrico inadecuado.
- Daño o fallo resultantes de operar el producto en una atmósfera corrosiva o contraria a las instrucciones detalladas en el manual del propietario del producto.
- Daños o fallos del producto causados por accidentes, pestes y alimañas, rayos, viento, incendio, inundaciones, hechos de fuerza mayor, o cualquier otra causa fuera del control de LG.
- Daños o fallos causados por modificaciones o alteraciones no autorizadas, o si se usa para otro fin que no sea el previsto.
- Daños o fallos resultantes de mal uso, abuso, instalación, reparación o mantenimiento incorrectos. Una reparación incorrecta incluye el uso de piezas no autorizadas, aprobadas o especificadas por LG. La instalación o el mantenimiento inadecuado incluye aquellos contrarios a lo especificado en el manual del usuario del producto.
- Daños o fallos causados por corriente o voltaje eléctrico incorrecto, o códigos de ventilación / fontanería.
- Daños o fallos causados por el transporte y el manejo, incluye rayas, muescas, astillados y/u otros daños al acabado del producto, a menos que tales daños se informen dentro del plazo de una (1) semana de la entrega.
- Daños o artículos faltantes a productos comprados con descuento, con la caja abierta o que hayan estado en exhibición.
- Productos reacondicionados o cualquier producto vendido con los avisos “En el estado actual”, “En el sitio actual”, “Con todos sus defectos” o similares.

- Productos cuyos números de serie originales hayan sido retirados, alterados o no se puedan determinar fácilmente.
- Aumentos en los costos de los servicios públicos y otros gastos adicionales de dichos servicios.
- Cualquier ruido asociado con la operación normal.
- Uso de accesorios, componentes, o productos de limpieza consumibles que no estén autorizados por LG.
- Reemplazo de focos, filtros o cualquier parte consumible.
- Cuando el producto se use de otra forma que no sea uso doméstico usual y normal (p. ej., uso comercial o industrial, en oficinas e instalaciones recreativas o vehículos) o uso contrario a las instrucciones detalladas en el manual del propietario del producto.
- Costos asociados con el retiro y la reinstalación de su producto para realizar reparaciones.
- Estantes, cajones y accesorios, excepto partes internas / funcionales cubiertas bajo esta garantía limitada.

El costo de reparación o reemplazo bajo las circunstancias excluidas anteriores correrá a cargo del consumidor.

PARA OBTENER SERVICIO EN GARANTÍA E INFORMACIÓN ADICIONAL

Llame al 1-800-243-0000 y seleccione la opción apropiada desde el menú.

O visite nuestro sitio web en <http://www.lg.com>

O por correo: LG Electronics Customer Service P.O. Box 240007 Huntsville, AL 35813 ATTN: CIC

PROCEDIMIENTO PARA RESOLVER CONFLICTOS:

TODOS LOS CONFLICTOS ENTRE USTED Y LG QUE SURJAN FUERA DE O RELACIONADOS DE ALGUNA MANERA CON ESTA GARANTÍA LIMITADA O CON EL PRODUCTO, SE RESOLVERÁN EXCLUSIVAMENTE A TRAVÉS DE UN ARBITRAJE VINCULANTE Y NO EN UNA CORTE DE JURISDICCIÓN GENERAL. ARBITRAJE VINCULANTE SIGNIFICA QUE USTED Y LG RENUNCIAN AL DERECHO DE UN JUICIO CON JURADO Y A REALIZAR O PARTICIPAR EN UNA DEMANDA COLECTIVA.

Definiciones. Para el propósito de esta sección, las referencias a “LG” significan: LG Electronics U.S.A., Inc., sus empresas matrices, subsidiarias y filiales y cada uno de sus directivos, directores, empleados, agentes, beneficiarios, predecesores en interés, sucesores, cesionarios y proveedores; las referencias a “conflicto” o “reclamación” incluirán cualquier conflicto, reclamo o controversia de cualquier tipo, sin importar (ya sea basado en contrato, agravio, estatuto, regulación, ordenanza, fraude, falsa representación o cualquier teoría legal o equitativa) que surja de o esté relacionada con cualquier forma de venta, condición o desempeño del producto o de esta Garantía Limitada.

Aviso de disputa. En caso de que usted desee iniciar un procedimiento de arbitraje, primero debe notificar a LG por escrito al menos 30 días antes de iniciar el arbitraje enviando una carta a LG a LG Electronics, USA, Inc. Atención: Legal Department-Arbitration 1000 Sylvan Ave, Englewood Cliffs 07632. Usted y LG aceptan participar en discusiones de buena fe en un intento de resolver su reclamo de manera amistosa. En la carta debe proporcionar su nombre, dirección y número de teléfono; identificar el producto que es objeto de la reclamación; y describir la naturaleza del reclamo y el remedio que busca. Si usted y LG no pueden resolver la disputa dentro de 30 días, cualquiera de las partes pueden proceder a presentar una demanda de arbitraje.

Acuerdo de arbitraje vinculante y renuncia de demanda colectiva. En caso de no resolver la disputa durante el período de 30 días después de enviar una notificación por escrito a LG, Usted y LG se comprometen a resolver cualquier reclamo entre nosotros, solamente a través de arbitraje vinculante sobre una base individual, a menos que usted se excluya, conforme a lo dispuesto a continuación. Cualquier conflicto entre usted y LG no estarán combinados o consolidados con una controversia relacionada con cualquier otro producto o reclamo de otra persona o entidad. Más específicamente y sin perjuicio de lo anterior, no procederá bajo ninguna circunstancia cualquier disputa entre usted y LG como parte de una acción colectiva o representativa. En lugar del arbitraje, cualquiera de las partes podrá iniciar una acción individual en la corte de reclamos menores, pero tales acciones en la corte de reclamos menores no podrán ser realizadas en una acción colectiva o representativa.

Normas y procedimientos de arbitraje. Para comenzar con el arbitraje de un reclamo, usted o LG deben realizar una demanda escrita para arbitraje. El arbitraje será administrado por la Asociación Americana de Arbitraje (AAA) y se llevará a cabo ante un árbitro único bajo las Normas de Arbitraje del Consumidor de la AAA, que tienen efecto al momento de inicio del arbitraje (en adelante “Normas de la AAA”) y bajo los procedimientos establecidos en esta sección. Las Normas de la AAA están disponibles en línea en www.adr.org/consumer. Envíe una copia de su solicitud de arbitraje por escrito, así como una copia de esta disposición, a la AAA de la forma descrita en las Normas de la AAA. También debe enviar una copia de su solicitud por escrito a LG en LG Electronics, USA, Inc. Atención: Legal Department- Arbitration 1000 Sylvan Ave, Englewood Cliffs 07632. Si hay un conflicto entre las Normas de la AAA y las reglas establecidas en esta sección, prevalecerán dichas reglas de esta sección. Esta disposición de arbitraje se rige por la Ley Federal de Arbitraje. El juicio se pueden introducir en el laudo arbitral en cualquier tribunal de jurisdicción competente. Todos son temas para que el árbitro tome sus decisiones, excepto aquellos asuntos relativos al alcance y aplicabilidad de la cláusula de arbitraje y de la capacidad de arbitraje de la controversia para que el tribunal decida. El árbitro se registrará por los términos de esta disposición.

Legislación vigente. La legislación del estado de su residencia regirá esta Garantía Limitada, así como todas las disputas entre nosotros, salvo que sea invalidada o inconsistente con leyes federales aplicables.

Tarifas / Costos. Usted no debe pagar ninguna tarifa para comenzar un arbitraje. Al recibir su solicitud de arbitraje por escrito, LG pagará todos los gastos administrativos rápidamente a la AAA, a menos que usted solicite más de \$25,000.00 por daños, en cuyo caso el pago de estos gastos se regirá por las Normas de la AAA. Salvo disposición contraria prevista en el presente documento, LG pagará a la AAA todos los gastos documentales, administrativos y de arbitraje para cualquier arbitraje iniciado, de conformidad con las Normas de la AAA y esta disposición de arbitraje. Si usted prevalece en el arbitraje, LG pagará los honorarios y gastos de sus abogados, siempre y cuando sean razonables, considerando factores que incluyen, entre otros, el monto de la compra y el monto del reclamo. No obstante lo anterior, si la ley aplicable permite una adjudicación de honorarios y gastos razonables de abogados, un árbitro pueden otorgarlos en la misma medida que lo haría un tribunal. Si el árbitro considera que la sustancia de su reclamo o la reparación solicitada en la demanda es frívola o se utiliza para un propósito inadecuado (calificado según las normas establecidas en la Norma Federal de Procedimiento Civil 11 (b)), el pago de todos los honorarios de arbitraje se regirá por las Normas de la AAA. En tal situación usted se compromete a reembolsar a LG todos los fondos erogados previamente por ella, cuyo pago es, por otra parte, su obligación, según las Normas de la AAA. Salvo disposición contraria, LG renuncia a cualquier derecho que pudiera tener para solicitarle los honorarios y gastos de sus abogados, si LG prevalece en el arbitraje.

Audiencias y ubicación. Si su reclamo es por \$25,000 o menos, usted pueden optar que el arbitraje sea realizado únicamente sobre la base de: (1) documentos presentados al árbitro, (2) a través de una audiencia telefónica o (3) por una audiencia en persona, según lo establecido por las Normas de la AAA. Si su reclamo excede \$25,000, el derecho a una audiencia estará determinado por las Normas de la AAA. Cualquier audiencia de arbitraje en persona se realizará en un lugar dentro del distrito judicial federal en el cual resida, a menos que ambos acuerden otra ubicación o estemos de acuerdo con el arbitraje telefónico.

Exclusión. Usted pueden quedarse fuera de este procedimiento de resolución de la disputa. Si se excluye, ni usted ni LG pueden solicitar al otro que participe en un procedimiento de arbitraje. Para excluirse usted debe enviar una notificación a LG, en un lapso de hasta 30 días continuos, contados a partir de la fecha de la primera compra del consumidor del producto, ya sea por: (i) el envío de un correo electrónico a optout@lge.com con el siguiente Asunto: "Exclusión del arbitraje" o (ii) llamada al 1-800-980-2973. Debe incluir en el correo electrónico de exclusión o suministrar por teléfono: (a) su nombre y dirección; (b) la fecha en la cual el producto fue comprado; (c) el nombre o el número del modelo del producto; y (d) el número del serial (el número del serial pueden ser hallado (i) en el producto, o (ii) en la dirección de <https://www.lg.com/us/support/repair-service/schedule-repair-continued> al hacer clic en "Find My Model & Serial Number").

Sólo pueden excluirse del procedimiento de resolución de conflictos en la forma descrita anteriormente (es decir, por correo electrónico o por teléfono); ninguna otra forma de notificación será efectiva para hacerlo. Excluirse de este procedimiento de resolución de controversias no afectará de ninguna manera la cobertura de la Garantía Limitada, por lo que usted continuará disfrutando de todos sus beneficios. Si conserva este producto y no se excluye, usted acepta todos los términos y condiciones de la cláusula de arbitraje descrita anteriormente.

MANUEL DU PROPRIÉTAIRE

TABLE DE CUISSON
VITROCÉRAMIQUE
À ÉLÉMENTS RADIANTS

Veillez lire attentivement le présent manuel de l'utilisateur avant de faire fonctionner l'appareil et conservez-le à portée de la main pour le consulter en tout temps.

LCE3010SB
LCE3610SB



MFL54169104_13

www.lg.com

Copyright © 2011 - 2019 LG Electronics Inc. Tous droits réservés.

INTRODUCTION

IMPORTANTES CONSIGNES DE SÉCURITÉ

Précautions importantes de Sécurité..... 3-7

CONSEILS POUR LA SÉLECTION ET L'UTILISATION DES USTENSILES DE CUISINE

Sélection des ustensiles de cuisine..... 8

PIÈCES ET CARACTÉRISTIQUES

Pièces et caractéristiques de votre table de cuisson..... 10
Accessoires 10
Caractéristiques des commandes tactiles..... 11

CONSIGNES D'UTILISATION

Avant d'utiliser la table de cuisson..... 12
Réglages des commandes..... 12-14
Utilisation de la zone de maintien au chaud 14
Utilisation des zones de cuisson triples 15
Utilisation des zones de cuisson doubles..... 15
Utilisation du verrouillage enfants..... 16
Autres fonctions..... 16

ENTRETIEN ET NETTOYAGE

Nettoyage de la table de cuisson 17

CONSIGNES D'INSTALLATION

Avant de commencer..... 18
Déballage de la table de cuisson..... 18
Caractéristiques techniques 19
Préparation de l'emplacement d'installation 20
Dimensions et espaces 21
Préparation de l'emplacement d'installation 22
Dimensions et espaces 23
Branchements électriques 24-26
Installation de la table de cuisson..... 26-27
Vérification finale 27

DÉPISTAGE DES PROBLÈMES

Avant de faire appel à un technicien 28-29

GARANTIE

Garantie limitée (CANADA) 30

MERCI!

Félicitations pour votre achat et
bienvenue dans la famille LG.

Votre nouvelle Table de Cuisson à
radiant LG combine des fonctions de
cuisson de précision à une utilisation
simple et une conception élégante.

Veuillez suivre les consignes
d'utilisation et d'entretien contenues
dans ce guide et votre table de cuisson
vous apportera de nombreuses années
de service fiable.

Information d'Enregistrement du Produit

Modèle: _____

Numéro de Série: _____

Date d'Achat : _____

IMPORTANTES CONSIGNES DE SÉCURITÉ

VEUILLEZ LIRE TOUTES LES CONSIGNES AVANT UTILISATION

Vous pouvez télécharger le manuel de l'utilisateur et d'installation à l'adresse <http://www.lg.com>.

⚠ AVERTISSEMENT Pour votre sécurité, les informations contenues dans ce manuel doivent être suivies afin de minimiser les risques d'incendies, de chocs électriques et d'éviter les dommages à la propriété, les blessures corporelles voire la mort.

CONSIGNES DE SÉCURITÉ

- **Installation Correcte:** S'assurer que l'installation et la mise à la terre sont correctement effectuées par un technicien qualifié conformément à la dernière édition du Code Electrique National ANSI/NFPA No 70, et aux exigences de tous les codes locaux. Installer selon les instructions d'installation.
- Ne pas essayer de réparer ou de remplacer une pièce de l'appareil, à moins d'une recommandation précise à cet effet dans ce manuel. Tout autre entretien doit être effectué par un technicien qualifié.
- Retirer le ruban adhésif et tout l'emballage avant d'utiliser cet appareil. Jeter les emballages en carton et en plastique après avoir déballer l'appareil. Ne jamais laisser les enfants jouer avec les emballages.
- Les caractéristiques de sécurité de cet appareil sont conformes aux normes techniques normalement utilisées.
- **Savoir comment couper l'alimentation électrique de votre appareil au disjoncteur ou dans la boîte de fusible en cas d'urgence.** Marquer le disjoncteur ou le fusible pour une identification et une action rapide en cas de besoin.
- **Ne réparer ou ne remplacer aucune pièce dans votre appareil.** Tout entretien doit être uniquement effectué par un technicien qualifié pour éviter le risque de blessures corporelles et de dommages à l'appareil.
- **Ne jamais modifier ou altérer la construction d'un appareil, tel que le retrait de panneau, de protection de câbles, ou toute autre pièce permanente de votre appareil.**
- **Rangement sur l'appareil : Les matières inflammables ne doivent pas être rangées sur ou près la surface de cuisson.** Ceci inclut les articles en papier, en plastique et en tissus, tels que les livres de cuisine, les récipients en plastiques et les torchons ainsi que les linges inflammables. Ne pas stocker d'explosifs tels que les bombes aérosols sur ou près de l'appareil. Les matériaux inflammables peuvent exploser et causer un incendie ou des dommages à la propriété.
- **Ne pas laisser les enfants seuls. Les enfants ne doivent pas être laissés seuls ou sans surveillance dans les zones où les appareils sont en cours d'utilisation.** Ne jamais permettre à un enfant de s'asseoir ou de se mettre debout sur une partie de l'appareil.
- **Ne pas stocker ou utiliser d'essence ou d'autres vapeurs et liquides inflammables dans les parages de cet appareil ou de tout autre appareil.**

⚠ MISE EN GARDE

Les objets pouvant intéresser les enfants ne doivent pas être stockés au-dessus de la table de cuisson ou sur le dossier de la table de cuisson - Les enfants peuvent se blesser en montant sur la table de cuisson pour atteindre ces objets.

⚠ AVERTISSEMENT

NE JAMAIS utiliser votre appareil pour réchauffer ou chauffer la pièce.

⚠ MISE EN GARDE

NE PAS toucher les Zones de Cuisson ou les zones proches de ces surfaces. Les Zones de Cuisson peuvent être chaudes, même si elles restent de couleur foncée. Certaines autres surfaces proches des Zones de Cuisson peuvent devenir assez chaudes pour causer des brûlures. Pendant et après l'utilisation, ne pas toucher et ne pas laisser des vêtements ou d'autres matériaux inflammables toucher ces zones avant qu'elles n'aient eu le temps de refroidir.

⚠ MISE EN GARDE

Ne jamais porter de vêtements amples ou tombants lors de l'utilisation de cet appareil.

- Toujours éteindre les commandes à la fin de la cuisson.

IMPORTANTES CONSIGNES DE SÉCURITÉ

VEUILLEZ LIRE TOUTES LES CONSIGNES AVANT UTILISATION

CONSIGNES DE SÉCURITÉ (suite)

- Ne pas autoriser les enfants à s'asseoir ou à se tenir debout sur quelque partie de la table de cuisson que ce soit. Ils pourraient se brûler ou se blesser.
- **Porter des vêtements appropriés. Ne jamais porter de vêtements amples ou tombants lors de l'utilisation de l'appareil.** Ne pas laisser les vêtements ou autres matières inflammables entrer en contact avec les surfaces chaudes.
- **Ne pas utiliser d'eau ou de farine pour éteindre un incendie de graisse.** Etouffer le feu avec un couvercle de casserole ou utiliser du bicarbonate de soude ou un extincteur à poudre ou à mousse.
- **L'huile et la graisse doivent être étroitement surveillées lors de la cuisson.** Les matières grasses ou la graisse risque de prendre feu si elles deviennent trop chaudes.
- **Utiliser uniquement des poignées sèches.** Les poignées humides ou mouillées sur une surface chaude peuvent provoquer des brûlures par la vapeur dégagée. Ne pas laisser les poignées toucher la surface chaude. Ne pas utiliser de serviette ni aucun autre linge épais à la place d'une poignée.
- **Ne pas faire chauffer des contenants alimentaires fermés.** La pression qui s'accumule peut faire exploser le contenant et causer des blessures.

SÉCURITÉ ELECTRIQUE

AVERTISSEMENT

- Si la surface de cuisson est fendue, éteindre l'appareil pour éviter la possibilité d'un choc électrique. Ne pas réutiliser votre TABLE DE CUISSON avant que la surface en verre n'ait été remplacée.
- Lors de l'utilisation de votre TABLE DE CUISSON, ne jamais utiliser de papier aluminium, d'aliments enveloppés dans du papier aluminium ou d'aliment congelés dans un contenant en aluminium.
- Si le câble d'alimentation est endommagé, il doit être remplacé par le fabricant, son agent de service ou toute personne qualifiée de façon à éviter les risques.

- L'installation et le branchement du nouvel appareil doivent être effectués par une personne qualifiée.
- Les appareils encastrés doivent seulement être utilisés après avoir été installés dans un meuble ou à un endroit spécifique conformément aux normes en vigueur. Ceci assure une protection suffisante contre les chocs électriques conformément aux exigences des agences de certification.
- Si votre appareil a un défaut de fonctionnement ou se brise, éteindre toutes les zones de cuisson et contacter le centre de Service.

CONSIGNES DE SÉCURITÉ AUTOUR DES ENFANTS

AVERTISSEMENT

- Cet appareil ne doit pas être utilisé par des enfants ou des personnes infirmes à moins qu'ils ne soient correctement supervisés par une personne responsable assurant que l'appareil est utilisé en toute sécurité.
- Les jeunes enfants doivent être supervisés pour s'assurer qu'ils ne jouent pas avec l'appareil.
- Les parties accessibles peuvent devenir chaudes pendant l'utilisation. Les jeunes enfants doivent être tenus à l'écart.

IMPORTANTES CONSIGNES DE SÉCURITÉ

VEUILLEZ LIRE TOUTES LES CONSIGNES AVANT UTILISATION

CONSIGNES DE SÉCURITÉ PENDANT L'UTILISATION

- **Cet appareil doit seulement être utilisé pour une cuisine normale à votre domicile.** Il n'est pas conçu pour une utilisation commerciale ou industrielle.
- **Ne pas utiliser la table de cuisson pour chauffer la pièce.**
- **Prendre soin en branchant des appareils électriques près de la table de cuisson.** Les cordons ne doivent pas entrer en contact avec les surfaces chaudes. Ceci pourrait endommager la table de cuisson et l'isolation du cordon.
- **Les matières grasses et les huiles surchauffées prennent feu rapidement.** La cuisson avec des matières grasses ou de l'huile doit toujours être supervisée.
- **Après utilisation, éteignez la plaque à l'aide du bouton et ne vous fiez pas au détecteur de récipient.**
- **Toujours garder le tableau de commandes propre et sec.** Ne pas laisser de liquide ou de graisse sur le tableau de commande. Les aliments renversés ou brûlés peuvent activer ou désactiver l'appareil. Nettoyer la zone de commandes soigneusement et reprendre une utilisation normale de l'appareil.
- **Ne jamais laisser de combustibles sur la table de cuisson.**
- **Ne jamais conserver de combustibles ou de bombes aérosols dans le tiroir situé sous la table de cuisson.**
- **Éviter de placer des ustensiles de cuisine métalliques sur les surfaces de cuisson.** Les objets métalliques peuvent devenir chauds et provoquer des brûlures.
- **Savoir à quelles touches du tableau de commandes correspondent les éléments de cuisson.**
- **Nettoyer l'appareil régulièrement pour éviter la présence de graisse qui pourrait prendre feu.** Les ventilateurs des hottes de ventilation et les filtres doivent être gardés propres. Ne pas laisser la graisse s'accumuler dans la hotte ou le filtre. Les dépôts gras dans le ventilateur pourraient prendre feu. Se référer aux consignes d'entretien du fabricant de la hotte.
- **Utiliser la bonne taille d'ustensiles.** L'appareil est muni d'une ou de plusieurs éléments de cuisson de tailles différentes. Choisir des ustensiles à fond plat et suffisamment large pour couvrir la surface de l'élément chauffant. L'utilisation d'ustensiles trop petits expose une partie de l'élément chauffant. Les vêtements pourraient s'enflammer suite à un contact direct avec cette partie exposée. L'utilisation d'un ustensile dont la taille est appropriée à celle de l'élément chauffant améliore également l'efficacité.
- **Si un ustensile est plus petit que l'élément, une partie de cet élément chauffant est exposée.** Les vêtements ou les poignées pourraient s'enflammer suite à un contact direct avec cette partie exposée.
- **Ne pas placer d'objets sur ou près des touches de commandes de façon à éviter une activation accidentelle des commandes de la table de cuisson.**
- **Les manches des ustensiles doivent être tournés vers l'intérieur et ne doivent pas dépasser audessus de l'élément voisin.** Pour réduire le risque de brûlure, d'ignition des matières inflammables et de débordements causés par un contact accidentel avec l'ustensile, le manche de l'ustensile doit être tourné vers l'intérieur et ne pas dépasser au-dessus des éléments voisins.
- **Ne jamais laisser d'aliments préparés sur les zones de cuisson.** Les débordements par bouillonnement peuvent provoquer de la fumée et faire déborder des matières grasses pouvant s'enflammer. Le contenu de la casserole peut s'évaporer complètement au point où la casserole peut fondre ou être endommagée.
- **Films de protection : N'utiliser du papier aluminium sur aucune des parties de la table de cuisson.** Utiliser seulement le papier aluminium comme il est recommandé, à la fin de la cuisson, pour couvrir les aliments. Tout autre utilisation du papier aluminium pourrait causer un risque de choc électrique, d'incendie ou de court-circuit.
- **Ustensiles de cuisine émaillés : Seuls certains types d'ustensiles en verre, en verre/céramique, en céramique, en terre et tout autre ustensile émaillé peuvent être utilisés sur la surface de cuisson sans se briser suite à d'une brusque variation de températures.** Vérifier les recommandations du fabricant pour une utilisation sur les tables de cuisson.
- **Hotte de ventilation : Nettoyer souvent la hotte de ventilation pour éviter l'accumulation de graisse des vapeurs de cuissons dans la hotte ou le filtre.**
- **Ne pas nettoyer ou utiliser une table de cuisson cassée.** Si la surface de cuisson est cassée, les solutions de nettoyage et les débordements peuvent pénétrer dans la surface de cuisson cassée et créer un risque de choc électrique. Contacter immédiatement un technicien qualifié.

IMPORTANTES CONSIGNES DE SÉCURITÉ

CONSIGNES DE SÉCURITÉ PENDANT L'UTILISATION (suite)

- **Nettoyez la surface de cuisson avec précaution.** N'utilisez pas de chiffon ni d'éponge pour essuyer les déversements sur une surface de cuisson chaude. Utilisez un couteau racleur approprié.
- **Ne pas mettre d'ustensile chaud sur la vitre de la table de cuisson froide.** Le verre pourrait se briser.
- **Ne pas faire glisser les ustensiles sur la table de cuisson.** Ils pourraient rayer la surface de la table de cuisson.
- **Ne pas laisser une casserole bouillir à sec.** Cela pourrait endommager la surface de cuisson (bris, fusion ou marque). (Ce type de dommage n'est pas couvert par la garantie).
- **Ne jamais laisser les éléments sans supervision lorsqu'ils sont réglés à une chaleur élevée.** Les débordements par bouillonnement peuvent causer des fumées et faire déborder des matières grasses qui peuvent s'enflammer.
- Etouffer le feu ou les flammes dans une casserole avec un couvercle ou une plaque de cuisson. **NE JAMAIS** soulever ou déplacer une casserole en feu.
- Ne pas utiliser d'eau pour éteindre un incendie de graisse. Utiliser du bicarbonate de soude ou un extincteur à poudre ou à mousse pour étouffer le feu ou les flammes.
- **Toujours éteindre les commandes à la fin de la cuisson.**
- **S'assurer de savoir à quelles commandes correspondent les éléments.** S'assurer que le bon élément est allumé.
- **Toujours utiliser des poignées sèches.** Les poignées humides ou mouillées sur une surface chaude peuvent provoquer des brûlures par la vapeur dégagée. Ne pas laisser la poignée toucher les éléments chauds. Ne pas utiliser de serviette ni aucun autre linge épais.

CONSIGNES DE SÉCURITÉ LORS DE L'ENTRETIEN

- Toujours éteindre la table de cuisson avant l'entretien.
- Pour des raisons de sécurité, ne pas nettoyer l'appareil avec un jet de vapeur ou un nettoyeur à haute pression.
- Nettoyer la table de cuisson conformément aux instructions d'entretien et de nettoyage données dans ce manuel.
- Un nettoyeur à vapeur ne doit pas être utilisé pour nettoyer la table de cuisson.
- **Ne pas utiliser de nettoyeurs abrasifs puissants ou de grattoir métallique pour nettoyer le verre de la table de cuisson parce qu'ils pourraient rayer la surface et le verre de la surface de cuisson pourrait se briser.**
- **Nettoyez la surface de cuisson avec précaution.** N'utilisez pas de chiffon ni d'éponge pour essuyer les déversements sur une surface de cuisson chaude. Utilisez un couteau racleur approprié.

CUIRE LES VIANDES ET LES VOLAILLES CORRECTEMENT

Cuire les viandes et les volailles correctement, la viande jusqu'à une température INTERNE minimale de 160°F (71°C) et les volailles jusqu'à une température INTERNE minimale de 180°F(82°C).

La cuisson à ces températures vous protège en général des intoxications alimentaires.

COMMENT EVITER D'ENDOMMAGER L'APPAREIL.

- Avant d'utiliser la table de cuisson pour la première fois, la nettoyer avec le nettoyant pour table de cuisson recommandé. Frotter avec un chiffon ou un tampon non abrasif. Ceci facilitera le nettoyage de la table cuisson lorsque qu'elle aura été salie pendant la cuisson. Le nettoyant adapté aux tables de cuisson laisse un résidu protecteur sur le verre et empêche les rayures et les abrasions.
- Ne pas utiliser la table de cuisson comme une surface de travail ou un espace de rangement.
- Faire attention aux bords lorsque vous déplacez des poêles et des casseroles.
- Ne pas faire fonctionner les éléments de cuisson avec des casseroles ou des poêles vides.

IMPORTANTES CONSIGNES DE SÉCURITÉ

COMMENT EVITER D'ENDOMMAGER L'APPAREIL. (suite)

- Ne pas allumer les éléments de cuisson sans qu'une poêle ou une casserole ne soit posée dessus.
- La vitrocéramique est très solide et insensible aux variations brusques de températures, mais il n'est pas incassable. Des objets durs et pointus peuvent l'endommager en tombant.
- Faire très attention avec des ustensiles en fonte ou ayant des bords irréguliers. Ils peuvent rayer le verre lorsqu'ils sont déplacés.
- Si du sucre ou un mélange contenant du sucre tombe sur la surface de cuisson chaude et fond, le retirer immédiatement pendant qu'il est encore chaud. Si le sucre refroidi, il peut endommager la surface lorsqu'il est retiré.
- Ne pas faire glisser de métal ou de verre sur la surface de la table de cuisson.
- Eloigner de la surface en vitrocéramique les objets ou matériaux pouvant fondre, par exemple, les ustensiles en plastiques, le papier aluminium ou les films alimentaires. Si des matériaux ou des aliments fondent sur la surface de cuisson, ils doivent être nettoyés immédiatement.

REMARQUE : Vous risquez de vous brûler lorsque vous utilisez le grattoir en verre sur une surface de cuisson chaude.

- Ne pas utiliser de récipient dont le fond est sale.
- Ne pas utiliser de récipient ayant un fond rugueux ou irrégulier. Ces récipients peuvent marquer et rayer la surface de cuisson.
- Se référer au manuel d'utilisation pour un nettoyage et un entretien correct de votre table de cuisson.
- **Ne pas utiliser la surface en verre de la table de cuisson comme planche à découper.**
- **Ne jamais cuisiner directement sur le verre. Toujours utiliser des récipients de cuisson.**

MISE EN GARDE

Risque de brûlure : Les Zones de Cuisson peuvent sembler froides après avoir été allumées et lorsqu'elle viennent d'être éteintes.

ÉLIMINATION DES APPAREILS ANCIENS

Pour protéger l'environnement, il est important de se débarrasser correctement des appareils usagers.

- Cet appareil ne doit pas être jeté avec les ordures ménagères.
- Vous pouvez obtenir des informations de votre municipalité ou de votre service local d'environnement sur les dates de collectes ou sur les sites de collectes.

MISE EN GARDE

Avant de jeter un appareil usager, s'assurer qu'il ne peut fonctionner et qu'il ne peut être une source de danger. Pour se faire, il est préférable qu'une personne qualifiée vienne débrancher l'appareil de votre circuit électrique.

**LISEZ ET SUIVEZ SOIGNEUSEMENT CES CONSIGNES DE SÉCURITÉ
CONSERVEZ CES INSTRUCTIONS**

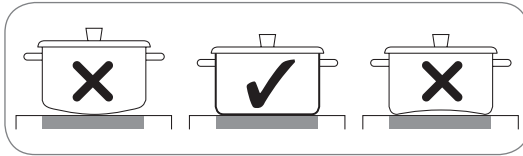
CONSEILS POUR LA SÉLECTION ET L'UTILISATION DES USTENSILES DE CUISINE

SÉLECTION DES USTENSILES DE CUISINE

CASSEROLES ET POÊLES

Plus le récipient est adapté à la cuisson, meilleure elle sera.

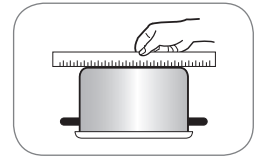
- Vous pouvez reconnaître des poêles et des casseroles de bonne qualité par leur base. La base doit être aussi épaisse et plate que possible.



- Les casseroles avec des fonds en aluminium ou en cuivre peuvent provoquer des décolorations de la surface de cuisson en céramique qui sont très difficiles ou impossibles à nettoyer.
- Faites très attention lorsque vous utilisez des casseroles en fonte ou ayant des fonds endommagés rugueux ou irréguliers. Ils peuvent rayer la surface de cuisson si vous les faites glisser sur cette dernière.
- Lorsqu'ils sont froids, les fonds des casseroles sont en général incurvés vers l'intérieur (concave). Ils ne doivent jamais être incurvés vers l'extérieur (convexe).
- Si vous souhaitez utiliser un ustensile en particulier (par ex, une cocotte-minute, un faitout ou un wok), veuillez vous référer aux instructions du fabricant et n'utilisez pas de casseroles à fond très fin.

UTILISEZ DES USTENSILES À FOND PLAT

Les ustensiles doivent être entièrement en contact avec la surface de cuisson. Utilisez des ustensiles à fond plat dont la taille est adaptée à la taille de l'élément et à la quantité d'aliment à cuire. Vérifiez que le fond de l'ustensile est plat en faisant tourner une règle sur le fond.



CONSEILS POUR LA SÉLECTION ET L'UTILISATION DES USTENSILES DE CUISINE

SÉLECTION DES USTENSILES DE CUISINE (suite)

ÉVITEZ LES RAYURES

Il est recommandé de toujours utiliser des ustensiles en acier inoxydable de forte épaisseur sur la surface de cuisson en céramique. Ceci permet de réduire la quantité de rayures sur la surface en céramique.

Les récipients de faible qualité peuvent rayer la surface de cuisson.

Les ustensiles doivent toujours être soulevés pour éviter de rayer la surface de cuisson en céramique.

Si vous faites glisser les ustensiles sur la table de cuisson en céramique, son apparence sera modifiée. Avec le temps, QUEL QUE SOIT le type d'ustensiles que vous faites glisser sur la table de cuisson en céramique, son apparence en sera modifiée. Au final, l'accumulation de rayures peut rendre le nettoyage de la surface de cuisson difficile et dégrader l'apparence globale de la table de cuisson.

Les grains de sable (par ex, après avoir lavé les légumes) traînés sur la surface de cuisson avec la casserole peuvent également la rayer.

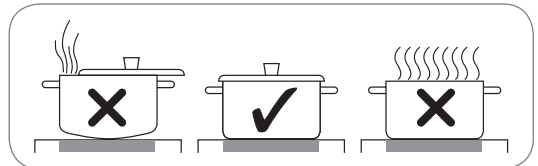
POUR DE MEILLEURS RÉSULTATS :

Veillez toujours suivre les recommandations sur la taille et le type d'ustensiles. De plus :

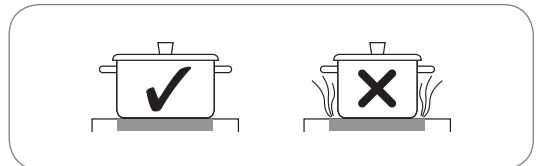
- N'utilisez pas d'ustensiles sales ayant un dépôt de graisse. Utilisez toujours des ustensiles faciles à nettoyer après la cuisson, et assurez vous que le fond des ustensiles est toujours propre et sec.
- Lorsque vous cuisinez de grandes quantités de liquides, utilisez de grandes casseroles pour que rien ne déborde.
- Ne pas laisser une casserole bouillir à sec. Cela pourrait endommager la surface de cuisson de façon permanente (bris, fusion ou marque). (Ce type de dommage n'est pas couvert par la garantie).
- Adaptez la taille de l'ustensile et de l'élément de cuisson à la quantité d'aliment à cuire.

CONSEILS POUR FAIRE DES ÉCONOMIES D'ÉNERGIE :

- Positionnez toujours les poêles et les casseroles avant d'allumer une des Zones de Cuisson.
- Des zones de cuissons et des ustensiles sales augmentent la consommation d'électricité.
- Si possible, placez toujours un couvercle sur les poêles et les casseroles pour qu'elles soient complètement couvertes.



- Eteignez les éléments avant la fin de la cuisson pour utiliser la chaleur latente pour garder les aliments chauds ou pour faire fondre d'autres aliments.
- La base de la casserole doit être de la même taille que la zone de cuisson.



- L'utilisation de la cocotte minute diminue le temps de cuisson de 50%.

PIÈCES ET CARACTÉRISTIQUES

PIÈCES ET CARACTÉRISTIQUES DE VOTRE TABLE DE CUISSON

Les caractéristiques et l'apparence de l'appareil ménager présenté tout au long de ce manuel peuvent varier d'un modèle à l'autre.

Table de cuisson à radiant LCE3010SB

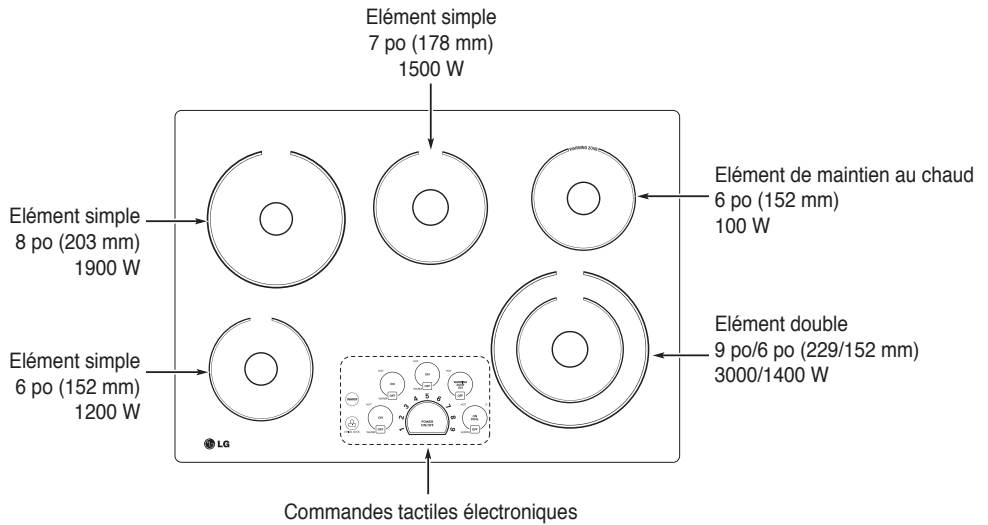
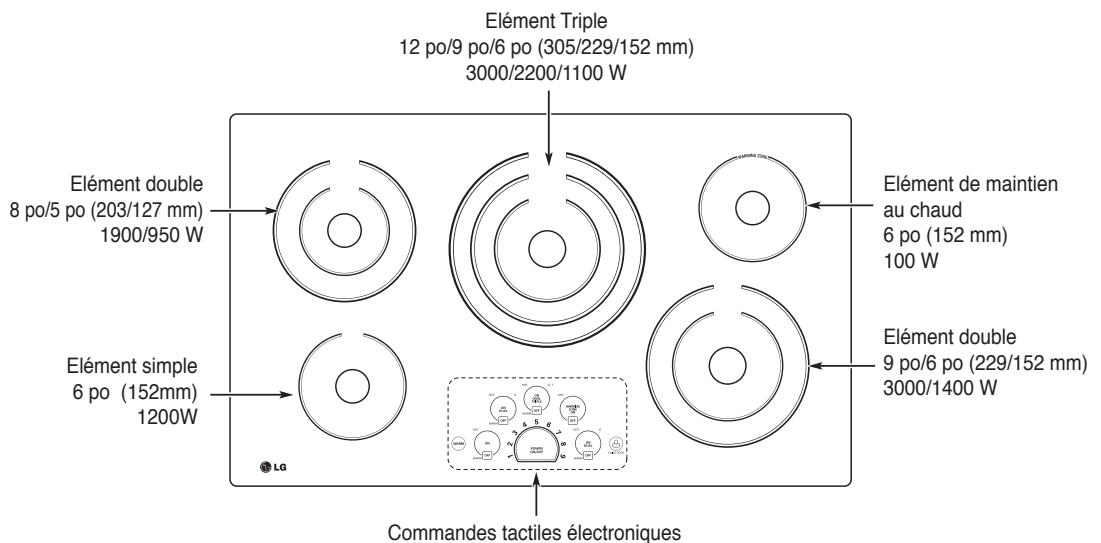


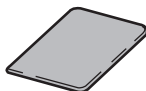
Table de cuisson à Radiant LCE3610SB



ACCESSOIRES



Nettoyant de surface de cuisson (1 ch.)



Tampon à récuser antirayure (1 ch.)



Sopports de retenue (2 ch.)



Boulon (2 ch.)



Boulon (2 ch.)

CARACTÉRISTIQUES DES COMMANDES TACTILES

POSITION DES ÉLÉMENTS DE SURFACE ET DES COMMANDES

Les éléments de la surface de cuisson sont positionnés de la même façon sur la table de cuisson que leurs commandes respectives sur le tableau de commandes.

Table de cuisson à Radiant LCE3010SB

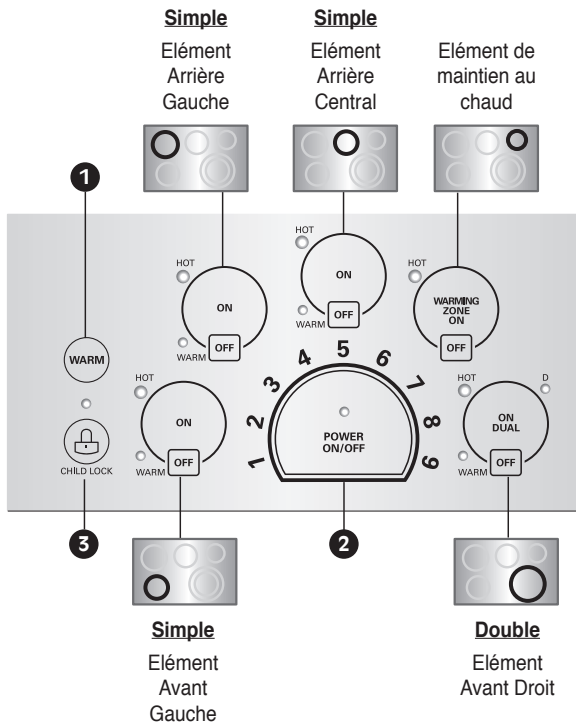
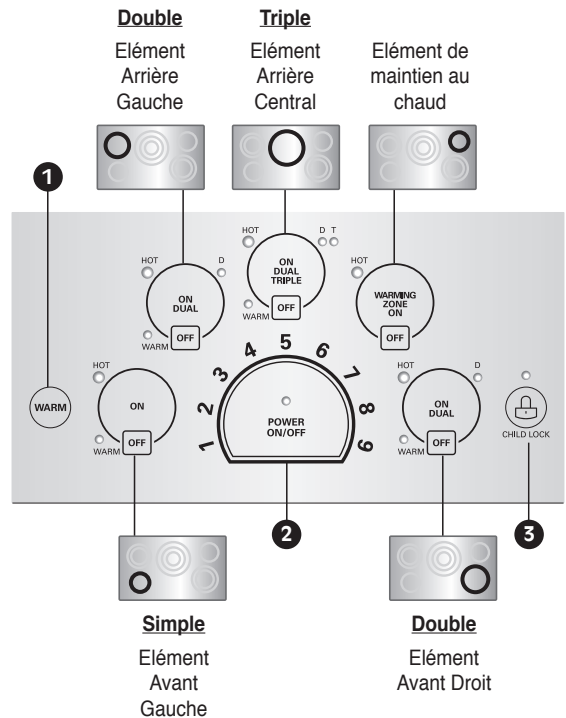
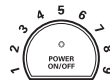


Table de cuisson à Radiant LCE3610SB



- 1 WARM (Maintien au Chaud):** Cette touche descend la température du élément sélectionné au réglage le plus bas.
- 2 POWER ON/OFF (Alimentation marche/arrêt):** Touchez POWER ON/OFF (Marche/arrêt) pour allumer ou éteindre la table de cuisson. Lorsque la table de cuisson est ON (Marche), elle reste en veille jusqu'à ce qu'une des zones de cuisson soit activée.
- 3 CHILD LOCK (Verrouillage enfants):** Touchez et maintenez le contact sur cette fonction pour activer et désactiver le verrouillage enfants.



Pour régler le niveau de puissance des éléments: Choisissez le numéro sur les réglages de la puissance de la Zone de Cuisson active pour ajuster la puissance de 1 à 9.

Indicateur de surface chaude: Le voyant lumineux en dessous de HOT (Chaud) sera allumé lorsque la zone de cuisson est chaude. Il restera allumé, même si les commandes sont éteintes jusqu'à ce que la zone soit froide.

CONSIGNES D'UTILISATION

AVANT D'UTILISER LA TABLE DE CUISSON

Avant d'utiliser la table de cuisson pour la première fois, nettoyez-la soigneusement avec le nettoyeur inclus ou avec un nettoyeur pour table de cuisson en céramique en suivant les instructions de nettoyage et d'entretien contenues dans ce manuel. Cette opération protège la surface en céramique et facilite les nettoyages suivants.

MISE EN GARDE

Ne jamais utiliser de tampons à récurer ou de nettoyeurs abrasifs ou décapants. Un dommage permanent de la table de cuisson peut en résulter.

RÉGLAGES DES COMMANDES

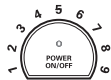
Pour faire fonctionner les commandes tactiles, touchez fermement la commande avec la partie plate du bout de votre doigt.

PREMIÈRE UTILISATION

La première fois que la table de cuisson est mise sous tension, l'affichage des commandes s'allume pendant 1 seconde.

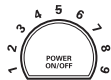
Si vous n'allumez pas la table de cuisson dans l'heure, l'affichage des commandes clignote.

POUR ACTIVER LA TABLE DE CUISSON



Pour allumer la table de cuisson, touchez **POWER ON/OFF** (Marche/arrêt) pendant environ 2 seconde.

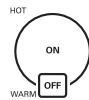
Le voyant au dessus de la touche s'allume.



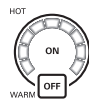
Pour éteindre la table de cuisson, touchez **POWER ON/OFF** (Marche/arrêt). Le voyant au-dessus de la touche s'éteint.

REMARQUE: Après avoir allumer la table de cuisson à l'aide de la touche POWER ON/OFF (Marche/arrêt), vous devez choisir une des Zones de Cuisson dans les 15 secondes qui suivent en utilisant la touche Cooking Zone ON (Allumage des zones de cuisson). Si aucune sélection n'est faite, la table de cuisson s'éteint pour des raisons de sécurité.

SÉLECTION DE LA ZONE DE CUISSON



Pour sélectionner la Zone de Cuisson désirée, touchez **ON** (Marche).



L'affichage pour la Zone de Cuisson sélectionnée s'allumera. Les voyants indicateurs de puissance clignotent mais aucun niveau de puissance n'est encore sélectionné.

REMARQUE: Une fois que la Zone de Cuisson a été sélectionnée avec la touche **ON** (Marche), le niveau de puissance doit être sélectionné dans les 10 secondes avec le réglage de la puissance de l'Élément. Dans le cas contraire, la Zone de Cuisson s'éteindra pour des raisons de sécurité.

RÉGLAGES DES COMMANDES (suite)

RÉGLAGE DU NIVEAU DE PUISSANCE

Le niveau de puissance pour la Zone de Cuisson peut varier de 1 à 9.

Pour choisir le niveau de puissance :

- 1 Choisissez le numéro sur les réglages de la puissance de la Zone de Cuisson active pour ajuster la puissance de 1 à 9.
- 2 En choisissant 7, vous activez la Zone de Cuisson. Après avoir activé la Zone de Cuisson, le voyant indicateur clignotera une fois et verrouillera votre sélection.



REMARQUE: Si un niveau de puissance n'est pas sélectionné, la Zone de Cuisson s'éteint au bout de 10 secondes.



Pour réajuster le niveau de puissance:

- 1 Choisissez Cooking Zone ON (Allumage de la Zone de Cuisson).
- 2 Pour modifier la puissance de la Zone de Cuisson, choisissez le niveau de puissance requis. Si le niveau de puissance n'est pas sélectionné dans les 10 secondes, Le niveau de puissance de la Zone de Cuisson ne sera pas modifié.



Pour éteindre la Zone de Cuisson:

- 1 A la fin de la cuisson, touchez **OFF** (Arrêt) pour éteindre la Zone de Cuisson.
- 2 L'affichage de la Zone de Cuisson correspondante s'éteindra.
- 3 Si la touche **POWER ON/OFF** (Marche/arrêt) est sélectionnée, toutes les Zones de Cuisson s'éteindront.



AVERTISSEMENT

! Votre table de cuisson possède un témoin de chaleur latente pour chaque Zone de Cuisson.

Ce témoin vous avertit que la zone identifiée vient d'être utilisée et qu'elle dégage encore suffisamment de chaleur pour pouvoir causer des brûlures. Evitez de toucher les Zones de Cuisson lorsque le témoin est allumé. Bien que la table de cuisson soit éteinte, le témoin restera allumé jusqu'à ce que la table de cuisson soit froide.

Réglage	Fonction	Utilisé pour
9	Chauffage rapide	Amener des liquides à ébullition.
7-9	Faire brunir et pour la friteuse	Faire revenir des viandes, réchauffer l'huile de la friteuse, sauter, maintenir l'ébullition à gros bouillons pour de grandes quantités de liquides.
6-7	Rôtir, frire	Frirer des viandes, des côtelettes, des crêpes, des saucisses, des oeufs.
4-5	Faire bouillir et pour la cuisson en général	Faire cuire de grosses quantités d'aliments, des soupes et des ragoûts, cuisiner des pommes de terre à la vapeur, cuisiner des bouillons de viandes ou de légumes.
3-4	Faire cuire à la vapeur	Cuisiner des légumes à la vapeur, des viandes à l'étouffée.
2-3	Mijoter	Mijoter des plats à base de riz ou de lait, cuisiner à la vapeur de petites quantités de pommes de terre ou de légumes à la vapeur, réchauffer les plats préparés.
1-2	Faire fondre	Cuisiner des omelettes légères, garder des plats au chauds, faire fondre du beurre ou du chocolat.

REMARQUE: Ces réglages sont simplement des recommandations de cuisson. Vous aurez peut-être besoin d'ajuster le niveau de puissance pour le type d'aliment ou de récipient.

CONSIGNES D'UTILISATION

RÉGLAGES DES COMMANDES (suite)

WARM (Maintien au chaud)

La table de cuisson est équipée d'une fonction WARM (Maintien au chaud) qui peut être utilisée sur toutes les Zones de Cuisson sauf l'élément de la Zone de maintien au chaud.

Pour l'activer :

Touchez ON (Marche) pour activer la Zone de Cuisson désirée et touchez WARM (Maintien au chaud).

La Zone de Cuisson sélectionnée sera réglée sur LOW (Faible). Le voyant au dessus de la touche WARM (Maintien au chaud) s'allume.



Pour modifier le niveau de puissance :

Touchez ON (Marche) et choisissez un nouveau numéro sur le réglage de la puissance des éléments. Le voyant au dessus de la touche WARM (Maintien au chaud) s'éteint.

UTILISATION DE LA ZONE DE MAINTIEN AU CHAUD

ZONE DE MAINTIEN AU CHAUD

Utilisez l'élément de maintien au chaud pour garder au chaud des aliments déjà cuits tels que les légumes et les sauces ou des assiettes plates allant au four.

Pour activer la zone de maintien au chaud :



Touchez **WARMING ZONE ON** (Zone de maintien au chaud allumée).

Réglez le niveau de puissance désiré au réglage de puissance des éléments.

REMARQUE:

- Tous les aliments doivent être couverts à l'aide d'un couvercle ou d'une feuille d'aluminium pour en maintenir la qualité.
- Lorsque vous réchauffez des pains ou des pâtisseries, le couvercle doit être équipé d'une ouverture pour permettre à la vapeur de s'échapper.
- Ne pas utiliser de film alimentaire en plastique pour couvrir les aliments. Celui-ci pourrait fondre sur la surface et rendre le nettoyage difficile.
- N'utilisez que des ustensiles et des plats recommandés comme sûrs pour l'utilisation sur une table de cuisson.
- Utilisez toujours des poignées lorsque vous retirez des aliments de la Zone de Maintien au Chaud car l'ustensile ou les assiettes seront chauds.
- Ne réchauffez pas les aliments pendant plus d'une heure (30 minutes pour les oeufs), la qualité des aliments pourraient être détériorée.
- Ne réchauffez pas d'aliments froids dans la Zone de Maintien au Chaud.
- La quantité et le type d'aliments maintenus au chaud peut affecter le réglage de chaleur requise.
- Ne maintenez pas au chaud de grosses casseroles ou de grands volumes d'aliments, il pourrait en résulter une distribution irrégulière de la chaleur.
- Maintenez toujours les aliments à une température correcte. USDA recommande des températures entre 140 et 170 °F (60 et 77 °C) sauf pour les pâtisseries.

Réglage des niveaux de maintien au chaud

Réglages	Utilisé pour
1-2	Pâtisseries, pains, aliments pour petit-déjeuner (OEufs) Aliments fragiles
3-5	Soupes (Crème), Ragoûts Légumes, Viandes
6-8	Sauces
9	Boissons chaudes Soupes (Liquide)

UTILISATION DES ZONES DE CUISSON TRIPLES

(seulement pour LCE3610SB)

L'Élément Triple, situé au centre de la table de cuisson est équipé de trois éléments de diamètres différents pour accommoder différentes tailles de casseroles.



Pour activer la Zone de Cuisson Triple



- 1 Touchez **ON** (Marche).
L'élément intérieur s'activera.
- 2 Touchez à nouveau **ON** (Marche) pour activer les zones au centre et au milieu (Élément double).



Le voyant lumineux en dessous du **D** (Double) s'allumera.

- 3 Touchez à nouveau **ON** (Marche) pour activer l'élément entier (Élément Triple).



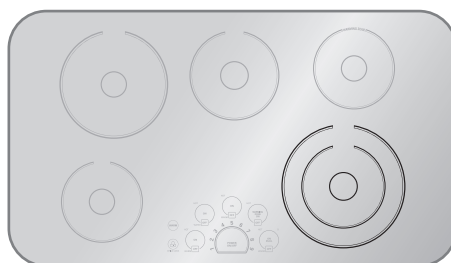
Les voyants lumineux en dessous du **D** (Double) et du **T** (Triple) s'allumeront.

- 4 Choisissez le niveau de puissance désiré.

UTILISATION DES ZONES DE CUISSON DOUBLES

L'Élément Double, situé à l'avant droit de la table de cuisson est équipé de deux éléments de diamètres différents pour accommoder différentes tailles de casseroles. Utilisez une ou deux sections de l'élément pour accommoder des casseroles de tailles différentes.

Seulement pour LCE3010SB



Pour activer la Zone de Cuisson Double



- 1 Touchez **ON** (Marche).
L'élément intérieur s'activera.
- 2 Touchez à nouveau **ON** (Marche) pour activer l'élément entier (Double).



Le voyant lumineux en dessous du **D** (Double) s'allumera.

- 3 Choisissez le niveau de puissance désiré.

Seulement pour LCE3610SB



CONSIGNES D'UTILISATION

UTILISATION DU VERROUILLAGE ENFANTS

Vous pouvez verrouiller la table de cuisson à tout moment lorsqu'elle n'est pas utilisée. En verrouillant la table de cuisson, vous éviterez d'allumer accidentellement les Zones de Cuisson.

POUR ENGAGER LE CHILD LOCK (VERROUILLAGE ENFANTS)



La table de cuisson doit être éteinte pour pouvoir engager le **CHILD LOCK** (Verrouillage enfants). Si cette dernière n'est pas éteinte, touchez **POWER** (Marche) et maintenez le contact pendant environ 2 secondes. Le témoin au dessus de la touche **POWER** (Marche) s'éteint.



Touchez et maintenez le contact sur **CHILD LOCK** (Verrouillage enfants) pendant 3 secondes. Le témoin lumineux au-dessus de la touche **CHILD LOCK** (Verrouillage enfants) s'allumera pour indiquer que la table de cuisson est verrouillée.

DÉSENGAGER LE CHILD LOCK (VERROUILLAGE ENFANTS) :



Pour désengager le verrouillage enfants, touchez et maintenez le contact sur **CHILD LOCK** (Verrouillage enfants) pendant 3 secondes. Le voyant au dessus de la touche s'éteindra et la table de cuisson pourra être de nouveau utilisée.

AUTRES FONCTIONS

ARRÊT AUTOMATIQUE

Si une Zone de Cuisson est en fonctionnement continu pendant plus de 17 heures et aucun réglage n'a été modifié, la Zone de Cuisson sera éteinte automatiquement.

CONTROLE AUTOMATIQUE DU NIVEAU DE PUISSANCE

Le niveau de puissance affiché peut être différent du niveau de puissance réel pour des gammes de températures élevées. Pour éviter une surchauffe de la table de cuisson, le niveau de puissance est automatiquement contrôlé.

NETTOYAGE DE LA TABLE DE CUISSON

ENTRETIEN QUOTIDIEN

N'UTILISEZ qu'un nettoyant pour table de cuisson en verre. D'autres crèmes peuvent ne pas être aussi efficaces ou peuvent endommager la surface avec des égratignures ou des taches permanentes. Pour maintenir et protéger la table de cuisson en verre, procédez comme suit :

- 1 Avant d'utiliser la table de cuisson la première fois, nettoyez-la avec un nettoyant pour table de cuisson en céramique ou avec le nettoyant fourni. Ceci aide à protéger la table et à en faciliter le nettoyage ultérieur.
- 2 Utilisez quotidiennement un nettoyant pour table de cuisson en céramique ou le nettoyant fourni pour aider à préserver l'éclat du neuf de la table.
- 3 Agitez bien le nettoyant avant de l'appliquer. N'appliquez que quelques gouttes, directement sur la table de cuisson.
- 4 Utilisez un essuie-tout pour nettoyer la surface de cuisson entière.
- 5 Rincez avec de l'eau claire et utilisez un chiffon sec ou un essuie-tout pour ôter tous les résidus de nettoyage.

REMARQUE: Il est très important que vous ne fassiez PAS chauffer la table de cuisson avant de l'avoir bien nettoyée.

⚠ MISE EN GARDE

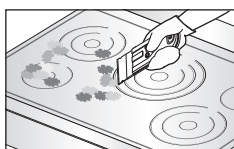
- **NE PAS utiliser de tampons à récurer ou de tampons de nettoyage abrasifs.**
 - Ils peuvent endommager la surface de cuisson vitrifiée.
- **Pour votre sécurité, veuillez porter un gant de cuisine lorsque vous nettoyez la surface de cuisson chaude.**

RÉSIDUS CALCINÉS

Pour nettoyer la porcelaine de verre

Étape 1

Retirez d'abord tous les dépôts brûlés ou la nourriture déversée de votre surface de cuisson en porcelaine de verre avec un couteau racleur convenable (similaire à ce que vous utilisez pour gratter la peinture dans les carreaux de fenêtre de votre maison - cela n'endommagera pas la surface de cuisson peinte). Tenez le racleur à un angle d'environ 30° par rapport à la surface de cuisson.



REMARQUE: N'utilisez pas de lame émoussée ou entaillée. Pour votre sécurité, veuillez porter un gant de cuisine lorsque vous utilisez le racleur.

Étape 2

Une fois que la surface de cuisson a refroidi, appliquez quelques gouttes (environ la taille d'une pièce de dix cents) de produit de nettoyage pour surfaces de cuisson en vitrocéramique sur chaque zone de brûleur et étalez la crème de nettoyage sur la surface de cuisson à induction à l'aide d'un papier essuie-tout humide.



Étape 3

À l'étape finale, nettoyez avec de l'eau claire et essuyez la surface de cuisson avec un essuie-tout propre et sec.



Important: Si du sucre ou de la nourriture contenant du sucre (conserves, ketchup, sauce tomate, confitures, fudge, bonbons, sirops, chocolat, etc.) ou un article en plastique ou du papier d'aluminium fond accidentellement sur la surface de cuisson chaude, retirez la matière fondue **IMMÉDIATEMENT** avec un couteau racleur (ce qui n'endommagera pas la surface de cuisson peinte) **pendant que la surface de cuisson est encore chaude** pour éviter le risque d'endommager la surface en porcelaine de verre. **Pour votre sécurité, veuillez porter un gant de cuisine lorsque vous nettoyez la surface de cuisson chaude.**

MARQUES ET ÉGRATIGNURES SUR LE MÉTAL

- 1 Ne faites pas glisser les chaudrons et les poêles sur la table de cuisson. Ils laisseront des marques de métal sur la surface. Ces marques peuvent être éliminées avec un nettoyant pour table de cuisson en céramique ou le nettoyant fourni avec le tampon à récurer pour les tables de cuisson en céramique.
- 2 Si vous laissez un chaudron avec revêtement mince d'aluminium ou de cuivre bouillir à sec, la couche peut laisser des marques de décoloration noires sur la table de cuisson. Elles doivent être nettoyées immédiatement avant de faire chauffer liélément de nouveau sinon la décoloration peut devenir permanente.

CONSIGNES D'INSTALLATION

L'INSTALLATION ET LA MAINTENANCE DOIVENT ÊTRE EFFECTUÉES PAR UN INSTALLATEUR QUALIFIÉ
IMPORTANT: CONSERVEZ CES INSTRUCTIONS POUR L'INSPECTEUR ÉLECTRIQUE LOCAL.
LISEZ ET CONSERVEZ CES INSTRUCTION POUR TOUTE RÉFÉRENCE FUTURE.

AVANT DE COMMENCER

Lisez ces instructions entièrement et avec attention.

REMARQUE POUR L'INSTALLATEUR :

- Lisez toutes les consignes de ce manuel d'installation avant de procéder à l'installation de la table de cuisson.
- Retirez tous les matériaux d'emballage avant de brancher la table de cuisson à l'alimentation électrique.
- Respectez tous les codes et règlements applicables.
- Seuls certains modèles de tables de cuisson peuvent être installés au-dessus de certains modèles de fours électriques encastrables.
- Assurez-vous de remettre ces instructions au client.

REMARQUE POUR LE CLIENT.

Conservez ce Manuel d'Utilisation et les Consignes d'Installation pour toute référence future.

REMARQUE : Cet appareil doit être correctement connecté à la terre.

Tous dommages causés par le non-respect de ces consignes ne sont pas couverts par la garantie de la table de cuisson.

DÉBALLAGE DE LA TABLE DE CUISSON

- 1** Déballez et inspectez visuellement la table de cuisson pour vérifier qu'elle n'a pas subi de dommage et qu'aucune pièce ne manque.
- 2** Assurez vous que la bouteille de nettoyant et de revitalisant incluse avec la poche d'instructions est laissée un endroit où l'utilisateur peut la trouver facilement. Il est important de traiter la table de cuisson avant utilisation. Se référer à la section *ENTRETIEN Et NETTOYAGE*.

CONSIGNES D'INSTALLATION

CARACTÉRISTIQUES TECHNIQUES

Table de cuisson à Radiant LCE3010SB

DIMENSIONS DE LA TABLE DE CUISSON

Largeur	30-27/32 po (783 mm)
Profondeur	21-15/32 po (545 mm)
Épaisseur	4 po (101.6 mm)

ZONES DE CUISSON

Position	Diamètre	Puissance
Avant Gauche	6 po (152 mm)	1200 W
Avant Droit	9 po/6 po (229/152 mm)	3000/1400 W
Arrière Gauche	8 po (203 mm)	1900 W
Arrière Droit	6 po (152 mm)	100 W (Maintien au Chaud)
Centre	7 po (178 mm)	1500 W

DIMENSIONS DE LA DÉCOUPE DANS LE COMPTOIRS

Largeur	29-3/8 po (746 mm)
Profondeur	20-1/4 po (515 mm)

CARACTÉRISTIQUES ÉLECTRIQUES

Tension de connexion:

240/208 VCA 60 Hz.
32.1A/27.9 A

Puissance admissible:

7700 W/5800 W

Table de cuisson à Radiant LCE3610SB

DIMENSIONS DE LA TABLE DE CUISSON

Largeur	36-11/16 po (932 mm)
Profondeur	21-15/16 po (557 mm)
Épaisseur	4 po (101.6 mm)

ZONES DE CUISSON

Position	Diamètre	Puissance
Avant Gauche	6 po (152mm)	1200 W
Avant Droit	9 po/6 po (229/152 mm)	3000/1400 W
Arrière Gauche	8 po/5 po (203/127 mm)	1900/950W
Arrière Droit	6 po (152 mm)	100 W (Maintien au Chaud)
Centre	12 po/9 po/6 po (305/229/152 mm)	3000/2200/1100 W

DIMENSIONS DE LA DÉCOUPE DANS LE COMPTOIR

Largeur	34-9/16 po (878 mm)
Profondeur	20-3/8 po (517 mm)

CARACTÉRISTIQUES ÉLECTRIQUES

Tension de connexion:

240/208 VCA 60 Hz.
38.3/33.2 A

Puissance admissible:

9200/6900 W

CONSIGNES D'INSTALLATION

PRÉPARATION DE L'EMPLACEMENT D'INSTALLATION

INFORMATION IMPORTANTE POUR L'INSTALLATION

- Toutes les tables de cuisson fonctionnent en monophasé 240/208 Volts, 60 Hertz, avec un câble de 3 ou 4 conducteurs.
Alimentation électrique CA avec mise à la terre.
- La distance minimale entre la table de cuisson et les meubles à suspendre est de 30 po (762 mm).
- Assurez-vous que les armoires et les revêtements de mur autour de la surface chauffante puissent supporter les températures (pouvant atteindre 93°C [200°F]) produites par la surface chauffante.

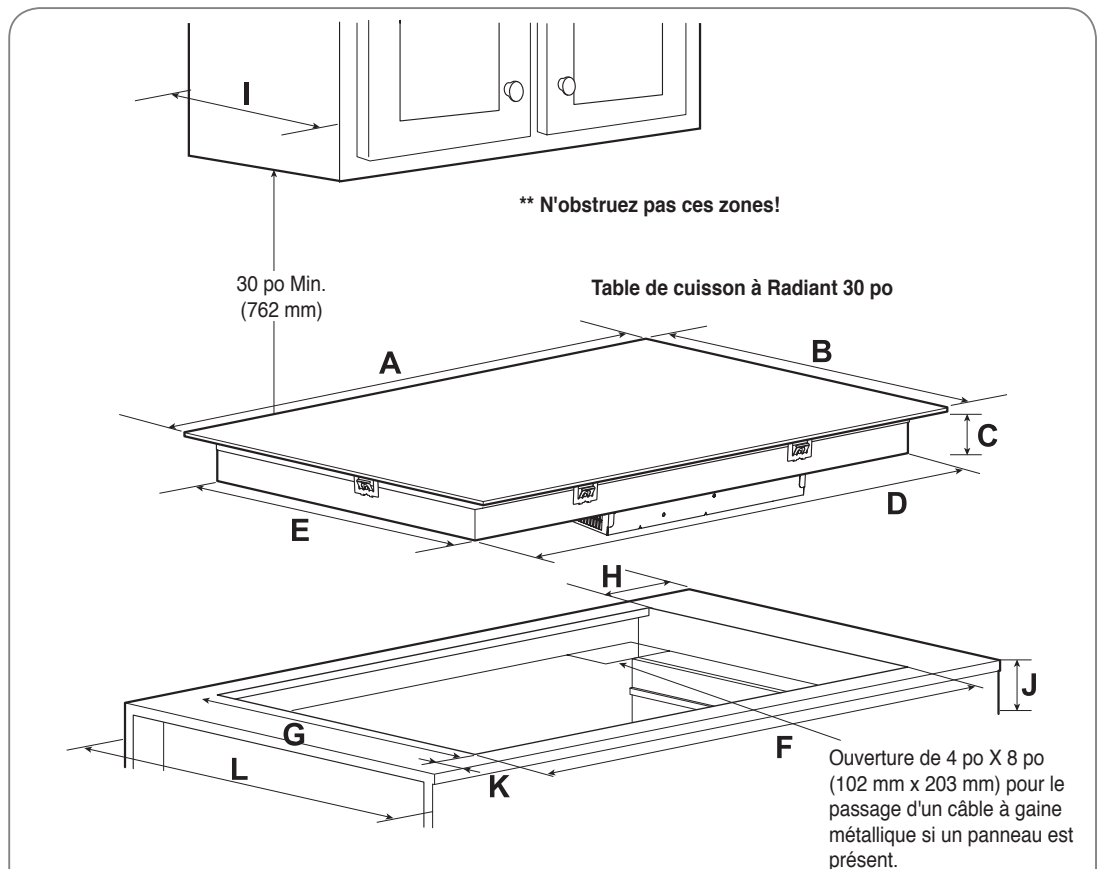


Table de cuisson à Radiant LCE3010SB

Unité	A	B	C	D	E	F	G	H	I	J	K	L
						Min	Min		Max	Min		
Pouce	30-27/32	21-15/32	3-3/4	28-13/16	19-5/8	29-3/8	20-1/4	13/16	13	5-23/32	2-1/2	24
mm	783	545	95	732	498	746	515	20	330	145	64	610

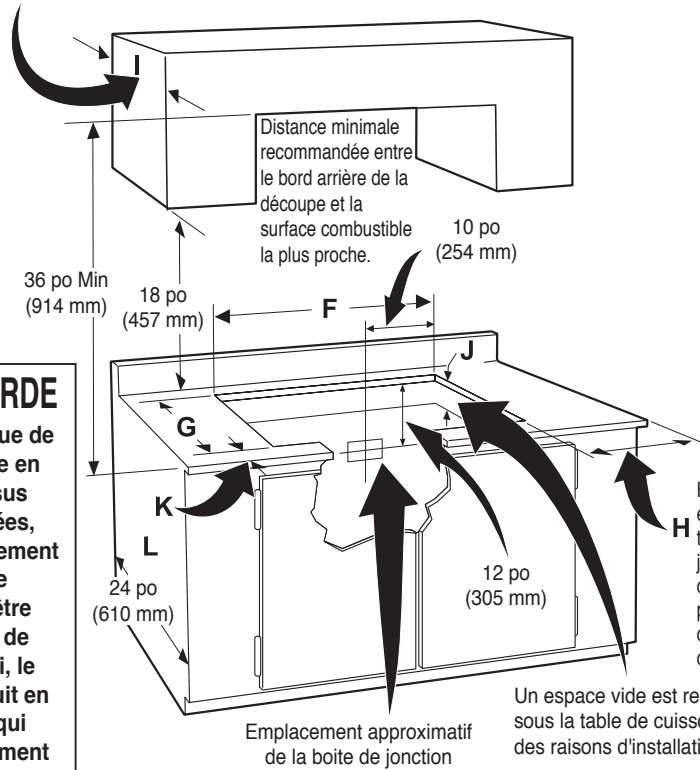
Toutes les dimensions sont données en pouces et en millimètres (mm).

Laissez un espace de 2 po (50 mm) en dessous de l'ouverture pour le câble à gaine métallique pour faire passer le câble électrique et laissez un espace pour l'installation de la boîte de jonction sur le mur derrière la table de cuisson.

CONSIGNES D'INSTALLATION

DIMENSIONS ET ESPACES

Les meubles suspendus ne doivent pas dépasser une profondeur maximale de 13 po (330 mm).



⚠ MISE EN GARDE

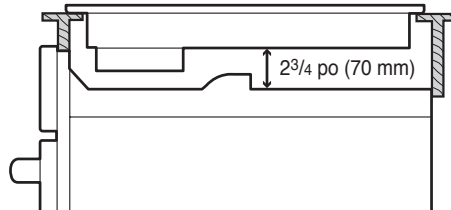
Pour éliminer le risque de brûlure ou d'incendie en se penchant au dessus des surfaces chauffées, les espaces de rangement au dessus de la table de cuisson doivent être évités. Si un meuble de rangement est fourni, le risque peut être réduit en installant une hotte qui dépasse horizontalement d'un minimum de 5 po (127 mm) du devant des meubles.

Modèle	H	K
LCE3010SB	3-3/4 po (95 mm)	2-1/2 po (64 mm)

⚠ MISE EN GARDE

Il est très important de respecter une distance de 2³/₄ po (70 mm) entre la surface de cuisson et le four.

■ Distance recommandée entre la surface de cuisson et le four



CONSIGNES D'INSTALLATION

PRÉPARATION DE L'EMPLACEMENT D'INSTALLATION

INFORMATION IMPORTANTE POUR L'INSTALLATION

- Toutes les tables de cuisson fonctionnent en monophasé 240/208 Volts, 60 Hertz, avec un câble de 3 ou 4 conducteurs.
Alimentation électrique CA avec mise à la terre.
- La distance minimale entre la table de cuisson et les meubles à suspendre est de 30 po (762 mm).
- Assurez-vous que les armoires et les revêtements de mur autour de la surface chauffante puissent supporter les températures (pouvant atteindre 93°C [200°F]) produites par la surface chauffante.

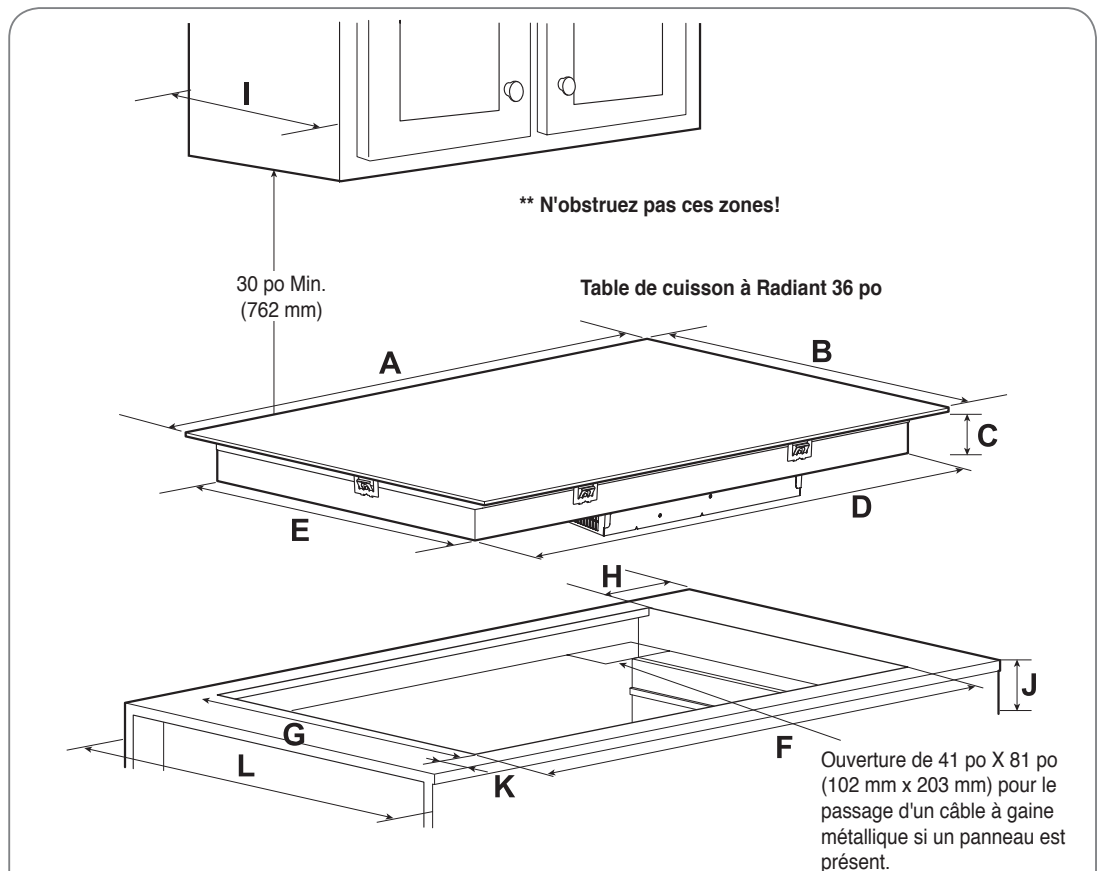


Table de cuisson à Radiant LCE3610SB

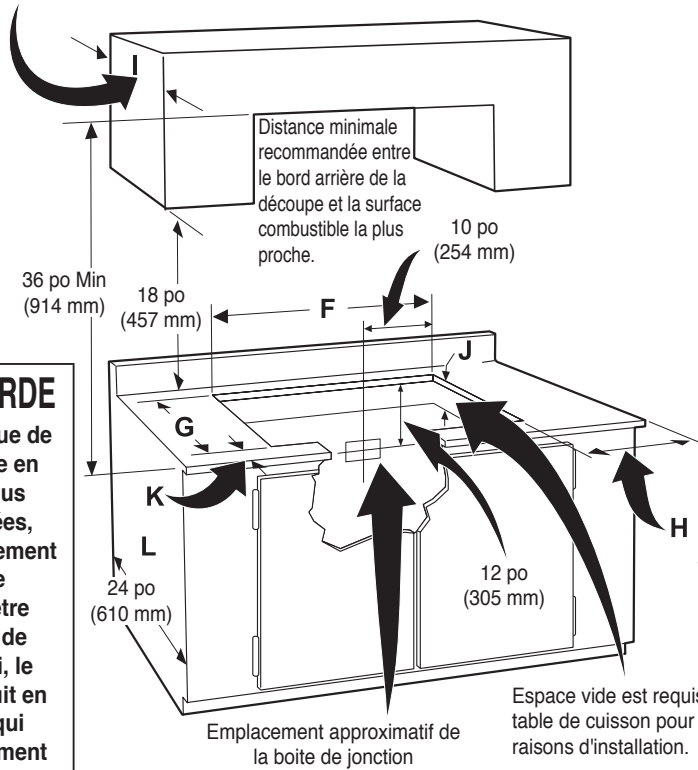
Unité	A	B	C	D	E	F	G	H	I	J	K	L
						Min	Min		Max	Min		
Pouce	36-11/16	21-15/16	3-3/4	33-27/32	19-25/32	34-9/16	20-3/8	13/16	13	5-23/32	2-1/2	24
mm	932	557	95	860	502	878	517	20	330	145	64	610

Toutes les dimensions sont données en pouces et en millimètres (mm).

Laissez un espace de 2 po (50 mm) en dessous de l'ouverture pour le câble à gaine métallique pour faire passer le câble électrique et laissez un espace pour l'installation de la boîte de jonction sur le mur derrière la table de cuisson.

DIMENSIONS ET ESPACES

Les meubles suspendus ne doivent pas dépasser une profondeur maximale de 13 po (330 mm).



⚠ MISE EN GARDE

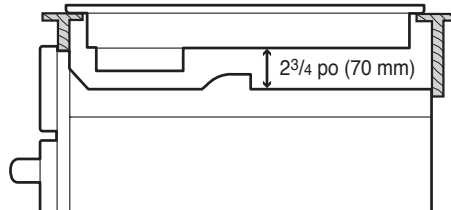
Pour éliminer le risque de brûlure ou d'incendie en se penchant au dessus des surfaces chauffées, les espaces de rangement au dessus de la table de cuisson doivent être évités. Si un meuble de rangement est fourni, le risque peut être réduit en installant une hotte qui dépasse horizontalement d'un minimum de 5 po (127 mm) du devant des meubles.

Model	H	K
LCE3610SB	3-3/4 po (95 mm)	2-1/2 po (64 mm)

⚠ MISE EN GARDE

Il est très important de respecter une distance de 2³/₄ po (70 mm) entre la surface de cuisson et le four.

■ Distance recommandée entre la surface de cuisson et le four



CONSIGNES D'INSTALLATION

BRANCHEMENTS ÉLECTRIQUES

IMPORTANTES CONSIGNES DE SÉCURITÉ

- Assurez-vous de faire installer et de faire mettre votre table de cuisson à la terre par un installateur qualifié ou un technicien de maintenance.
- Cette table de cuisson doit être mise à la terre conformément aux codes locaux ou en leur absence, conformément à la dernière édition du Code Electrique National ANSI/NFPA N°70 aux USA.

AVERTISSEMENT

L'alimentation électrique à la table de cuisson doit être coupée pendant le branchement des lignes. Le non-respect de ces règles peut entraîner des blessures corporelles sérieuses, voire la mort.

FOURNITURE DES BRANCHEMENTS ÉLECTRIQUES

Installez la boîte de jonction sous le meuble et tirez un câble de 120/240 ou 120/208 volt, CA du panneau principal.

REMARQUE: NE branchez PAS encore le câble au panneau principal.

EXIGENCES ÉLECTRIQUES

Respectez tous les codes et règlements locaux applicables.

- 1 Une alimentation électrique monophasée 120/240 ou 120/208 volts, 60 Hz, seulement CA, à 3 ou 4 conducteurs est nécessaire sur un circuit séparé, avec des fusibles aux deux bouts de la ligne (fusible à action différée ou disjoncteur). NE PAS mettre de fusible au neutre. La taille du fusible ne doit pas dépasser le calibre de l'appareil spécifié sur la plaque signalétique.
- 2 La Table de Cuisson à Convection de 36 po peut consommer jusqu'à 9200 W à 240 VCA. Un disjoncteur de 50 Amp avec un fil d'épaisseur #8 AWG doit être utilisé.
La Table de Cuisson à Convection de 30 po peut consommer jusqu'à 7700 W à 240 VCA. Un disjoncteur de 40 Amp avec un fil d'épaisseur #8 AWG doit être utilisé.
- 3 L'appareil doit être branché à un sectionneur à fusibles (ou au disjoncteur) par l'intermédiaire d'un câble flexible à armature métallique ou sous gaine non métallique.
Le câble flexible à armature métallique provenant de l'appareil doit être branché directement à la boîte de jonction mise à la terre. L'emplacement de la boîte de jonction, indiqué en page 21 ou 23, doit permettre d'avoir le câble aussi lâche que possible entre la boîte et l'appareil, de façon à ce que ce dernier puisse, le cas échéant, être déplacé pour toute maintenance.
- 4 Un réducteur de tension approprié doit être installé pour fixer le câble flexible à la boîte de jonction.

REMARQUE : La taille des câbles et les branchements doit être adaptés à la taille du fusible et au calibre de l'appareil conformément à la dernière édition du Code Electrique National ANSI/NFPA No 70 et aux codes et règlements locaux.

AVERTISSEMENT

Les rallonges ne doivent pas être utilisées avec cet appareil. Il pourrait en résulter un incendie, un choc électrique ou des blessures corporelles.

BRANCHEMENTS ÉLECTRIQUES (suite)

BRANCHEMENT ÉLECTRIQUE

Branchez le câble flexible à armature métallique de la table de cuisson jusqu'à la boîte de jonction avec un réducteur de tension approprié au point d'entrée du câble dans la boîte de jonction. Puis, effectuez les branchements électriques suivants.

La mise à la terre est exigée pour cet appareil.

Cet appareil est fabriqué avec un câble d'alimentation et câble de mise à la terre vert ou en cuivre nu connecté au châssis.

REMARQUE POUR L'ÉLECTRICIEN :

Les câbles d'alimentation fournis avec les appareils sont répertoriés UL pour une connexion aux câblages domestiques de plus gros diamètre. L'isolation de ces câbles est conçue pour résister à des températures bien plus élevées que les caractéristiques thermiques des câblages domestiques.

L'intensité maximale admissible de ce conducteur est régie par l'épaisseur du fil et par les caractéristiques thermiques de l'isolation autour du fil, plutôt que par l'épaisseur du fil uniquement.

⚠ AVERTISSEMENT

NE PAS connecter à une tuyauterie de gaz pour une mise à la terre. NE PAS brancher à l'alimentation électrique avant que l'appareil ne soit mis à la terre de façon permanente. Mettre à la terre avant de brancher à l'alimentation électrique.

⚠ AVERTISSEMENT

Cet appareil est équipé d'un câble flexible avec conducteurs en cuivre. Si le système est branché au câblage aluminium du domicile, utilisez seulement des connecteurs spécifiques approuvés pour connecter des câbles en aluminium et en cuivre conformément au Code Electrique National et aux codes et règlements locaux. Une connexion incorrecte du câblage en aluminium à des fils en cuivre peut causer un court-circuit ou un incendie. Suivre à la lettre la procédure recommandée par le fabricant des connecteurs.

LORSQUE LES CODES LOCAUX PERMETTENT LA CONNEXION DE LA TERRE DE CET APPAREIL AU CÂBLE NEUTRE (BLANC)

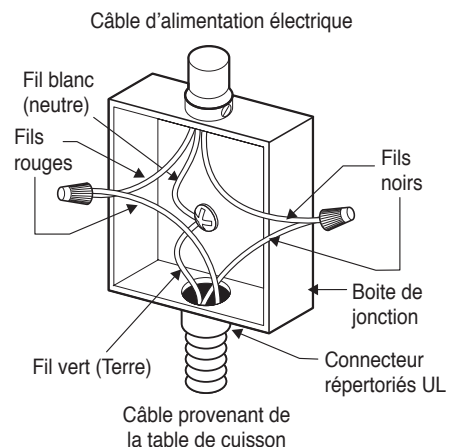
Respectez tous les codes et règlements locaux applicables.

- 1 Débranchez l'alimentation électrique;
- 2 Au disjoncteur, à la boîte de fusibles ou à la boîte de jonction, connectez l'appareil et les fils du câble d'alimentation comme indiqué.

⚠ AVERTISSEMENT

Vous ne pouvez peut-être pas mettre la table de cuisson à la terre par le neutre (blanc) si la table de cuisson est utilisée dans une installation avec alimentation par un circuit secondaire (NEC 1996) dans les résidences mobiles et les véhicules récréatifs ou pour les installations où les codes locaux interdisent la mise à la terre par l'intermédiaire d'un conducteur neutre (blanc). Dans le cas où la mise à la terre par l'intermédiaire du conducteur neutre (blanc) est interdite, vous devez utiliser un câble d'alimentation à 4 conducteurs. Le non-respect de cet avertissement peut entraîner une électrocution ou d'autres blessures corporelles sérieuses.

BOÎTE DE JONCTION À TROIS CONDUCTEURS, MISE A LA TERRE.



CONSIGNES D'INSTALLATION

BRANCHEMENTS ÉLECTRIQUES (suite)

DANS LE CAS OU LA TABLE DE CUISSON EST UTILISÉE DANS UNE INSTALLATION AVEC ALIMENTATION PAR UN CIRCUIT SECONDAIRE (NEC 1996) DANS LES RÉSIDENCES MOBILES ET LES VÉHICULES RÉCRÉATIFS OU POUR LES INSTALLATIONS OÙ LES CODES LOCAUX INTERDISENT LA MISE À LA TERRE PAR L'INTERMÉDIAIRE D'UN CONDUCTEUR NEUTRE (BLANC).

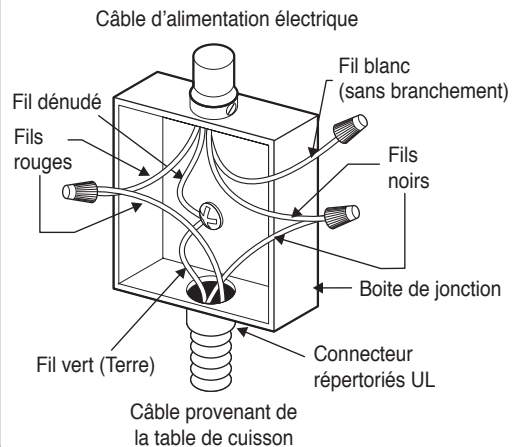
Respectez tous les codes et règlements locaux applicables.

- 1 Débranchez l'alimentation électrique.
- 2 Au disjoncteur, à la boîte de fusibles ou à la boîte de jonction, connectez l'appareil et les fils du câble d'alimentation comme indiqué.

AVERTISSEMENT

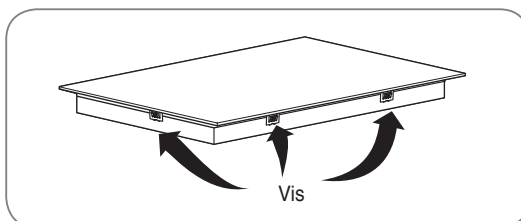
Si le branchement est fait à un système avec câble d'alimentation électrique à 4 conducteurs, le fil blanc de l'appareil branché au châssis NE DOIT PAS être branché au fil neutre blanc du système électrique à 4 conducteurs.

BOÎTE DE JONCTION À QUATRE CONDUCTEURS, MISE A LA TERRE.



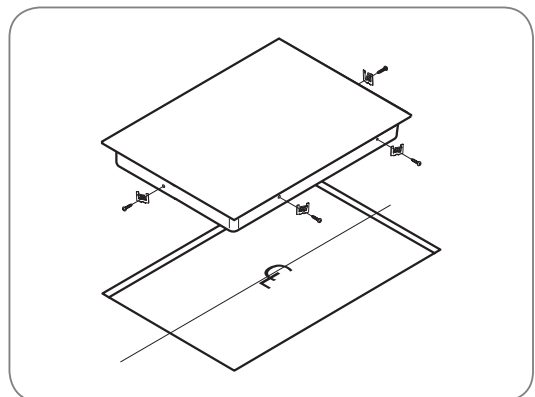
INSTALLATION DE LA TABLE DE CUISSON

- 1 Vérifiez visuellement l'absence de dommage à la table de cuisson.
Assurez vous que les vis de la table de cuisson soient serrées (voir leur emplacement cidessus)



- 2 Positionnez doucement la table de cuisson dans la découpe du comptoir de la cuisine en prenant soin de ne pas coincer de fil.

REMARQUE: N'utilisez pas de mastic. La table de cuisson doit pouvoir être retirée en cas de maintenance.



CONSIGNES D'INSTALLATION

INSTALLATION DE LA TABLE DE CUISSON (suite)

- 3 Installez les supports de retenue sur la base de la table de cuisson, puis positionnez le boulon tout contre la base du comptoir, comme indiqué.

REMARQUE : Les supports de retenue **DOIVENT** être installés conformément aux codes locaux ou en leur absence, conformément à la dernière édition du Code Electrique National ANSI/NFPA No 70.

Table de cuisson à Radiant LCE3010SB / LCE3610SB

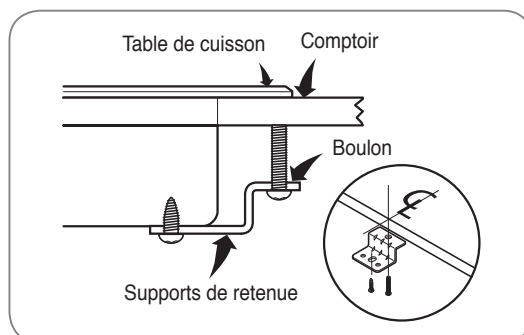
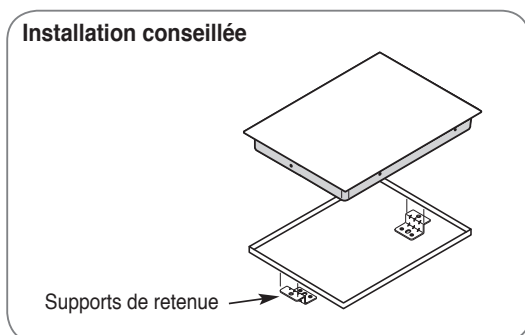


Table de cuisson à Radiant LCE3010SB

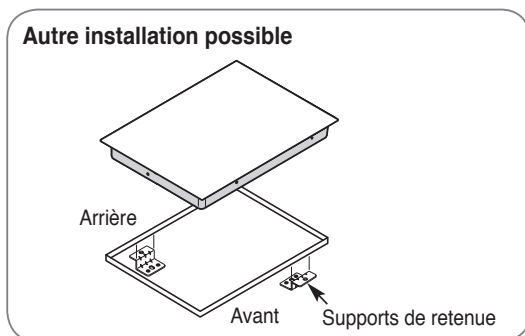
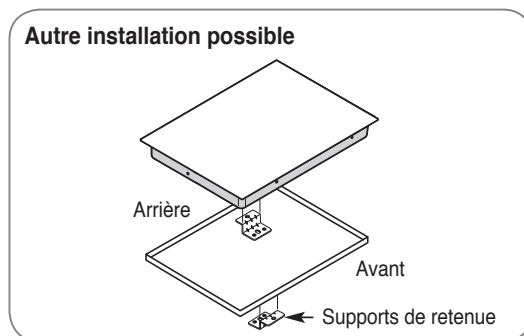


Table de cuisson à Radiant LCE3610SB



VÉRIFICATION FINALE

Effectuez une dernière vérification de la table de cuisson en s'assurant qu'elle s'allume de façon appropriée et que chaque Zones de Cuisson fonctionnent correctement. Référez-vous aux Consignes d'Utilisation contenues dans ce guide pour plus de détails.

EMPLACEMENT DES NUMEROS DE MODÈLE ET DE SÉRIE

Les numéros de modèles et de série sont situés sur une plaque sur la base de la table de cuisson. Veuillez les noter dans ce guide, vous en aurez besoin pour enregistrer la garantie.

⚠ MISE EN GARDE

Ne touchez pas le verre de la table de cuisson ou les Zones de Cuisson. Ils peuvent être suffisamment chauds pour provoquer des brûlures.

DÉPISTAGE DES PROBLÈMES





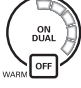

AVANT DE FAIRE APPEL À UN TECHNICIEN

Avant de faire appel à un technicien, parcourez cette liste. Cela pourrait vous économiser du temps et de l'argent. Cette liste inclut les problèmes courants qui ne résultent pas d'un vice de matière ou de fabrication de votre appareil.

Problème	Causes Possibles	Solutions
La table de cuisson ne fonctionne pas	<ul style="list-style-type: none">• Les commandes de la table de cuisson sont verrouillées.• Le disjoncteur est peut être déclenché ou un fusible est peut être grillé.• Panne de courant.• L'installation du câblage n'est pas terminée.	<ul style="list-style-type: none">• Référez-vous à la section UTILISATION DU VERROUILLAGE ENFANTS pour désactiver la fonction CHILD LOCK (Verrouillage enfants).• Réenclenchez le disjoncteur.• Vérifiez les lumières dans la maison pour confirmer la panne de courant.• Contactez votre installateur ou votre vendeur.
La table de cuisson ne chauffe pas	<ul style="list-style-type: none">• La mauvaise Zone de Cuisson est sélectionnée.• Pas d'alimentation électrique à la table de cuisson.	<ul style="list-style-type: none">• Assurez-vous que la commande correcte est activée pour la Zone de Cuisson utilisée.• Référez-vous à la section "la table de cuisson ne fonctionne pas" ci-dessus.
Les éléments s'éteignent en cours de cuisson.	<ul style="list-style-type: none">• La température interne de la table de cuisson est trop élevée.	<ul style="list-style-type: none">• Vérifiez que la table de cuisson a été installée selon les consignes d'installation.
Les éléments ne deviennent pas assez chauds.	<ul style="list-style-type: none">• Les commandes tactiles ne sont peut-être pas réglées correctement.• Les ustensiles n'ont peut-être pas une taille ou une forme correcte ou ne sont pas plats.	<ul style="list-style-type: none">• Vérifiez le niveau de puissance.• Utilisez les ustensiles recommandés. Se référer aux pages 8-9.
On entend un bruit de ventilateur.	<ul style="list-style-type: none">• La température interne de la table de cuisson est Elevée.	<ul style="list-style-type: none">• C'est normal. Le ventilateur de refroidissement se met en marche quand un élément est allumé. Lors d'une utilisation intense de la table de cuisson, le ventilateur peut continuer à fonctionner jusqu'à ce que la table de cuisson ait refroidi.

DÉPISTAGE DES PROBLÈMES

AVANT DE FAIRE APPEL À UN TECHNICIEN

Problème	Causes Possibles	Solutions
Clignotement 	<ul style="list-style-type: none"> Il y a une erreur de thermistance ou de Micom. 	<ul style="list-style-type: none"> Eteignez la table de cuisson en utilisant la touche POWER ON/OFF (Marche/arrêt). Rallumez la table de cuisson en utilisant la touche POWER ON/OFF (Marche/arrêt).
Clignotement 		
Clignotement 		
Clignotement 	<ul style="list-style-type: none"> Des aliments renversés ou des salissures sur les touches tactiles. Un objet est placé sur les touches tactiles. Les touches sont effleurées trop longtemps. 	<ul style="list-style-type: none"> Nettoyez la surface. Retirez l'objet des touches tactiles. Si une des touches est effleurée pendant plus de 10 secondes en continu, cette erreur s'affichera. Si de l'eau ou un objet en métal est placé sur les touches tactiles, cette erreur s'affichera. Eteignez la table de cuisson en utilisant la touche POWER ON/OFF (Marche/arrêt). Rallumez la table de cuisson en utilisant la touche POWER ON/OFF (Marche/arrêt).
Clignotement 	<ul style="list-style-type: none"> Il y a une erreur d'affichage. 	<ul style="list-style-type: none"> Eteignez la table de cuisson en utilisant la touche POWER ON/OFF (Marche/arrêt). Rallumez la table de cuisson en utilisant la touche POWER ON/OFF (Marche/arrêt).
Clignotement 	<ul style="list-style-type: none"> Détection de basse tension 	<ul style="list-style-type: none"> Ceci vous indique des basses tensions au niveau de la table de cuisson. Contactez un électricien qualifié.

GARANTIE LIMITÉE (CANADA)

AVIS D'ARBITRAGE : LA PRÉSENTE GARANTIE LIMITÉE CONTIENT UNE DISPOSITION SUR L'ARBITRAGE QUI EXIGE QUE LE RÈGLEMENT DES DIFFÉRENDS ENTRE VOUS ET LG S'EFFECTUE PAR ARBITRAGE EXÉCUTOIRE PLUTÔT QUE DEVANT UN TRIBUNAL, À MOINS QUE LES LOIS DE VOTRE PROVINCE OU TERRITOIRE L'INTERDISSENT OU QUE, DANS UN AUTRE TERRITOIRE DE COMPÉTENCE, VOUS VOUS PRÉVALEZ D'UNE OPTION DE RETRAIT. LES RECOURS COLLECTIFS ET LES PROCÈS DEVANT JURY NE SONT PAS AUTORISÉS PAR LE PROCESSUS D'ARBITRAGE. VEUILLEZ VOUS RÉFÉRER CI-DESSOUS À L'ARTICLE « PROCÉDURE DE RÈGLEMENT DE DIFFÉREND ».

Si votre cuisson à radiant LG («Produit») a tombé en panne en raison d'un défaut de matériaux ou de fabrication sous une utilisation normale et appropriée, pendant la période de garantie indiquée ci-dessous, LG Electronics Canada Inc. («LGECI»), à son gré, réparera ou remplacera le «Produit» après réception de la preuve d'achat originale au détail. Cette garantie limitée est valable uniquement qu'à l'acheteur original du «Produit» du détaillant et s'applique uniquement à un produit distribué, acheté et utilisé au Canada, tel que déterminé à la seule discrétion de «LGECI».

PÉRIODE DE GARANTIE	PRESTATION DE SERVICE
Un an à partir de la date d'achat initial	Toute pièce de la table de cuisson qui s'avère défectueuse en raison d'un défaut de matériau ou de fabrication. Pendant la validité de la présente garantie complète d'un an, LG fournira également gratuitement la main d'œuvre et le service sur place pour réparer la pièce défectueuse.

- Les produits et pièces de remplacement sont garantis pour la portion restante de la période de garantie originale ou quatre-vingt-dix (90) jours, selon la période la plus longue.
- Les produits et pièces de rechange peuvent être neufs, reconditionnés, remis à neuf ou autrement fabriqués en usine, tous à la seule discrétion de «LGECI».
- La preuve de l'achat de détail original spécifiant le modèle du produit et la date d'achat est requise pour obtenir un service sous garantie en vertu de la présente garantie limitée.

LA RESPONSABILITÉ DE LGECI EST LIMITÉE À LA GARANTIE LIMITÉE EXPRIMÉE CI-DESSUS. SAUF TEL QU'EXPRESSIONNEMENT FOURNI CI-DESSUS, LGECI DÉCLINE TOUTE AUTRE GARANTIE ET CONDITION CONCERNANT LE PRODUIT, EXPLICITE OU IMPLICITE, Y COMPRIS, MAIS SANS S'Y LIMITER, TOUTE GARANTIE IMPLICITE OU CONDITION DE QUALITÉ MARCHANDE OU D'ADAPTATION À UN USAGE PARTICULIER, ET AUCUNE REPRÉSENTATION NE SERA LIÉE À LGECI. LGECI N'AUTORISE AUCUNE PERSONNE À CRÉER OU ENSOSSER À SA PLACE QUELCONQUE AUTRE OBLIGATION DE GARANTIE OU RESPONSABILITÉ RELATIVE AU PRODUIT. DANS LA MESURE OÙ TOUTE GARANTIE OU CONDITION EST IMPLICITE PAR LA LOI, ELLE EST LIMITÉE À LA PÉRIODE DE GARANTIE DÉCLARÉE CI-DESSUS. EN AUCUN CAS, LGECI, LE FABRICANT OU LE DISTRIBUTEUR DU PRODUIT, NE SERA TENU RESPONSABLE DE TOUT DOMMAGE ACCESSOIRE, CONSÉCUTIF, SPÉCIAL, DIRECT, INDIRECT, PUNITIF OU EXEMPLAIRE, Y COMPRIS, SANS LIMITATION, LA PERTE DE COTE D'ESTIME, PERTE DE PROFITS, PERTE DE PROFITS ANTICIPÉS, PERTE DE REVENUS, PERTE D'UTILISATION OU DE TOUT AUTRE DOMMAGE, QU'IL SOIT PROVENU DIRECTEMENT OU INDIRECTEMENT DE TOUTE INFRACTION CONTRACTUELLE, VIOLATION FONDAMENTALE, DÉLICTEUELLE OU AUTRE, OU DE TOUT ACTE OU OMISSION. LA RESPONSABILITÉ TOTALE DE LGECI, S'IL EN EST, N'OUTREPASSERA PAS LE PRIX D'ACHAT PAYÉ PAR VOUS POUR LE PRODUIT.

Cette garantie limitée vous donne des droits légaux spécifiques. Vous pouvez également avoir d'autres droits qui varient d'une province à l'autre selon les lois provinciales applicables. Tout terme de cette Garantie limitée qui nie ou modifie toute condition ou garantie implicite en vertu de la loi provinciale est divisible lorsqu'elle est en conflit avec cette loi provinciale sans affecter le reste des termes de cette garantie.

LA PRÉSENTE GARANTIE LIMITÉE NE COUVRE PAS CE QUI SUIT :

- Tout déplacement du technicien pour : i) livrer, reprendre, installer ou; éduquer comment utiliser le Produit; ii) corriger le câblage ou plomberie; ou iii) rectifier toute réparation ou installation non-autorisée du Produit;
- Dommage ou panne du Produit à performer lors de panne de courant et service électrique inadéquat ou interrompu;
- Dommage ou panne résultant de l'utilisation du Produit dans un environnement corrosif ou contraire aux instructions détaillées dans le manuel d'utilisation du Produit;
- Dommage ou panne du Produit en raison d'accidents, ravageurs et parasites, foudre, vent, feu, inondations, actes de Dieu ou toute autre raison hors du contrôle de LGECI ou du fabricant;
- Dommage ou panne résultant d'utilisation inappropriée ou abusive ou d'installation, réparation ou entretien imparfait du Produit. Réparation imparfaite inclut l'utilisation de pièces non autorisées ou spécifiées par LGECI. Installation ou entretien imparfait inclut toute installation ou entretien contraire aux instructions détaillées au manuel d'utilisation du Produit;
- Dommage ou panne en raison de modification ou altération non autorisée du Produit, ou si utilisé pour fins autres que celle d'appareil ménager domestique, ou dommage ou panne résultant de toute fuite d'eau due à une mauvaise installation du produit;
- Dommage ou panne en raison de courant électrique, tension ou codes de plomberie incorrects;

- Dommage ou panne en raison d'utilisation autre que celle d'appareil ménager domestique normale, incluant, sans limite, l'utilisation commerciale ou industrielle, incluant l'utilisation au bureau commercial ou centre récréatif, ou détaillée autrement au manuel d'utilisation du Produit;
- Dommage ou panne provoqué par le transport et manipulation, incluant rayures, bosses, écaillage et/ou autre endommagement à la finition du Produit, **à moins que** tel dommage ait résulté de fabrication ou matériaux défectueux et rapporter à LGECI dans la (1) semaine suivant livraison du Produit;
- Dommage or articles absents de tout Produit démonstrateur, boîte ouverte, réusiné ou escompté;
- Produit réusiné ou tout Produit vendu "Tel quel", "Où est", "Avec tous défauts", ou toute mise en garde similaire;
- Produit dont le numéro de série original ait été retiré, altéré ou ne peut être facilement déterminé à la discrétion de LGECI;
- Augmentation de la facture d'électricité et dépenses additionnelles d'utilité de quelque manière associée au Produit;
- Tout bruit associé au fonctionnement normal du Produit;
- Remplacement des ampoules, filtres, fusibles ou tout autre élément consommable;
- Remplacement de toute pièce n'étant pas originalement incluse avec le Produit;
- Coûts associés au retrait et/ou réinstallation du Produit pour fins de réparation; et
- Les clayettes, tiroirs, poignées et accessoires du Produit, sauf les pièces internes / fonctionnelles couvertes par cette garantie limitée.
- Couverture pour réparations à domicile, pour produit sous garantie, sera fournie si le Produit se trouve dans un rayon de 150 km du centre de service autorisé (ASC) le plus près, tel que déterminé par LG Canada. Si votre Produit est situé à l'extérieur du rayon de 150 km d'un centre de service autorisé, tel que déterminé par LG Canada, il en ira de votre responsabilité d'apporter votre Produit, à vos frais, au centre de service (ASC) pour réparation sous garantie.

Tous coûts et dépenses associés aux circonstances exclues ci-dessus, énumérés sous la rubrique "Cette garantie limitée ne couvre pas" sont à la charge du consommateur.

AFIN D'OBTENIR SOUTIEN DE GARANTIE ET INFORMATIONS SUPPLÉMENTAIRES VEUILLEZ NOUS APPELER OU VISITER NOTRE SITE WEB :

Sans frais : 1-888-542-2623 (7h à minuit – l'année longue) et sélectionnez l'option appropriée au menu, ou;
Visitez le site web à : <http://www.lg.com>

PROCÉDURE DE RÈGLEMENT DE DIFFÉREND :

SAUF LA OÙ LA LOI L'INTERDIT, TOUT DIFFÉREND ENTRE VOUS ET LG ASSOCIÉ DE QUELQUE FAÇON QUE CE SOIT À LA PRÉSENTE GARANTIE LIMITÉE SE RÈGLE EXCLUSIVEMENT PAR ARBITRAGE EXÉCUTOIRE PLUTÔT QUE DEVANT UN TRIBUNAL DE DROIT COMMUN. SAUF LA OÙ LA LOI L'INTERDIT, VOUS ET LG RENONCEZ IRRÉVOCABLEMENT À TOUT DROIT À UN PROCÈS DEVANT JURY, AINSI QU'À EXERCER UN RECOURS COLLECTIF OU À Y PARTICIPER.

Définitions. Aux fins du présent article, « LG » désigne LG Electronics Canada Inc., ses sociétés mères, ses filiales et ses sociétés affiliées et tous leurs dirigeants, administrateurs, employés, agents, bénéficiaires, détenteurs précédents des mêmes droits, successeurs, cessionnaires et fournisseurs; « différend » et « réclamation » englobent tout différend, réclamation ou litige de quelque sorte que ce soit (fondés sur une responsabilité contractuelle, délictuelle, légale, réglementaire ou découlant d'une ordonnance, par fraude, fausse représentation ou sous quelque régime de responsabilité que ce soit) découlant de quelque façon que ce soit de la vente, des conditions ou de l'exécution du produit ou de la présente Garantie limitée.

Avis de différend. Si vous prévoyez engager une procédure d'arbitrage, vous devez d'abord envoyer à LG un préavis écrit d'au moins 30 jours à l'adresse suivante : Équipe juridique LGECI, Norelco Drive, North York, Ontario, Canada M9L 2X6 (l'avis de différend). Vous et LG convenez de discuter en toute bonne foi pour tenter de régler le différend à l'amiable. L'avis doit mentionner votre nom, votre adresse, votre numéro de téléphone, le produit faisant l'objet de la réclamation, la nature de la réclamation et la réparation demandée. Si vous et LG ne parvenez pas à régler le différend dans les 30 jours suivant la réception de l'avis de différend par LG, le différend doit être réglé par arbitrage exécutoire conformément à la procédure établie aux présentes. Vous et LG convenez que, tout au long du processus d'arbitrage, les modalités (y compris les montants) de toute offre de règlement formulée par vous ou par LG ne seront pas divulguées à l'arbitre et resteront confidentielles à moins d'accord contraire entre les deux parties ou que l'arbitre règle le différend.

Entente d'arbitrage exécutoire et renonciation à un recours collectif. Si la réclamation n'a pu être réglée dans les 30 jours suivant la réception de l'avis de différend par LG, vous et LG convenez de ne régler les réclamations vous opposant que par arbitrage exécutoire au cas par cas, à moins que vous vous prévaliez de l'option de retrait évoquée plus haut ou que vous résidiez dans un territoire de compétences qui interdit la pleine application de cette clause dans le cas de réclamations de ce type (dans lequel cas, si vous êtes un consommateur, cette clause ne s'appliquera que si vous acceptez expressément l'arbitrage). Dans la mesure où la loi en vigueur le permet, aucun différend entre vous et LG ne peut être combiné ou regroupé avec un différend faisant intervenir le produit ou la réclamation d'une personne ou entité tierce. Plus précisément et sans limiter la portée de ce qui précède, sauf dans la mesure où une telle interdiction n'est pas autorisée en droit, en aucun cas un différend entre vous et LG ne peut être traité dans le cadre d'un recours collectif. Au lieu de l'arbitrage, les parties peuvent tenter une action individuelle devant une cour des petites créances, mais cette action ne peut pas être intentée dans le cadre d'un recours collectif, sauf dans la mesure où une telle interdiction n'est pas autorisée en droit dans votre province ou territoire de compétences pour une réclamation en cause qui nous oppose.

Règles et procédures d'arbitrage. Pour soumettre une réclamation à un arbitrage, l'une des deux parties, soit vous ou LG, doit déposer une demande écrite à cet effet. L'arbitrage est privé et confidentiel et s'effectue selon une procédure simplifiée et accélérée devant un arbitre unique choisi par les parties conformément aux lois et règlements en vigueur portant sur l'arbitrage commercial de votre province ou territoire de résidence. Vous devez également envoyer une copie de votre demande écrite à LG Electronics Canada Inc., Legal Department - Arbitration, 20 Norelco Drive, North York, Ontario M9L 2X6. La présente disposition sur l'arbitrage est régie par les lois et règlements sur l'arbitrage commercial applicables de votre province ou territoire. La sentence arbitrale peut donner lieu à un jugement de n'importe quel tribunal compétent. Toutes les décisions relèvent de l'arbitre, à l'exception des questions associées à la portée et à l'applicabilité de la disposition sur l'arbitrage et à l'arbitrabilité du différend, qui sont du ressort du tribunal. L'arbitre est tenu de respecter les modalités de la présente disposition.

Droit applicable. Les lois de votre province ou territoire de l'achat régissent la présente Garantie limitée et tout différend entre nous, sauf dans la mesure où de telles lois sont supplantées par des lois fédérales, provinciales ou territoriales applicables ou sont incompatibles avec ces dernières. Si l'arbitrage n'est pas autorisé pour régler une réclamation, une poursuite, un différend ou un litige nous opposant, nous nous en remettons à la compétence exclusive des tribunaux de votre province ou territoire de l'achat compétence pour le règlement de la réclamation, de la poursuite, du différend ou du litige nous opposant.

Frais et coûts. Aucuns frais ne sont exigibles pour entamer une procédure d'arbitrage. À la réception de votre demande d'arbitrage écrite, LG réglera rapidement la totalité des frais de dépôt de la demande d'arbitrage, sauf si vous réclamez des dommages-intérêts supérieurs à 25 000 \$. Dans ce cas, le paiement de ces frais sera régi par les règles d'arbitrage applicables. Sauf disposition contraire aux présentes, LG paiera tous les frais de dépôt de demande et d'administration ainsi que les honoraires de l'arbitre conformément aux règles d'arbitrage applicables et à la présente disposition sur l'arbitrage. Si vous remportez l'arbitrage, LG réglera vos frais et honoraires juridiques après avoir déterminé s'ils sont raisonnables en se fondant sur des facteurs comme, entre autres, le montant de l'achat et le montant de la réclamation. Si l'arbitre juge que le motif de la réclamation ou les réparations demandées sont futiles ou se fondent sur des motifs déplacés (au regard des lois applicables), le paiement de tous les frais d'arbitrage sera régi par les règles d'arbitrage applicables. Dans un tel cas, vous acceptez de rembourser à LG la totalité des montants versés qu'il vous revient autrement de payer en vertu des règles d'arbitrage applicables. Sauf disposition contraire et si elle remporte l'arbitrage, LG renonce à tous ses droits de vous réclamer des frais et honoraires juridiques.

Audience et lieu de l'arbitrage. Si votre réclamation est égale ou inférieure à 25 000 \$, vous pouvez opter pour un arbitrage conduit selon l'une des modalités suivantes uniquement : 1) sur examen des documents remis à l'arbitre, 2) par audience téléphonique ou 3) par audience en personne selon les dispositions des règles d'arbitrage applicables. Si votre réclamation dépasse 25 000 \$, le droit à une audience sera défini par les règles d'arbitrage applicables. Les audiences arbitrales en personne se tiendront à l'endroit le plus proche et le plus pratique pour les deux parties situé dans votre province ou votre territoire de résidence, sauf si nous convenons mutuellement d'un autre lieu ou d'un arbitrage par téléphone.

Dissociabilité et renoncement. Si une partie de la présente Garantie limitée (y compris les présentes procédures d'arbitrage) n'est pas applicable, les dispositions restantes demeurent en vigueur dans la mesure permise par la loi applicable. Le fait de ne pas exiger la stricte exécution d'une disposition de la présente Garantie limitée (y compris les présentes procédures d'arbitrage) ne signifie pas que nous ayons renoncé ni que nous ayons l'intention de renoncer à toute disposition ou partie de la présente Garantie limitée.

Option de retrait. Vous pouvez vous retirer de la présente procédure de règlement de différend. Dans ce cas, ni vous ni LG ne pouvez imposer à l'autre partie de participer à une procédure d'arbitrage. Pour vous prévaloir de l'option de retrait, vous devez envoyer un préavis à LG dans les trente (30) jours civils à compter de la date de l'achat du produit par le premier acheteur i) dans un courriel adressé à optout@lge.com et dont la ligne d'objet porte la mention « Retrait de l'arbitrage » ou ii) en composant le 1-800-980-2973. Que ce soit par courriel ou par téléphone, vous devrez donner a) votre nom et votre adresse; b) la date d'achat du produit; c) le nom ou le numéro de modèle du produit et d) le numéro de série [qu'il est possible de trouver i) sur le produit ou ii) en ligne au https://www.lg.com/ca_fr/soutien/repairation-garantie/demande-reparation, Trouver mes numéros de modèle et de série].

Si vous vous prévaliez de l'option de retrait, les lois de votre province ou territoire de résidence régissent la présente Garantie limitée et tout différend entre nous, sauf dans la mesure où de telles lois sont supplantées par des lois fédérales, provinciales ou territoriales applicables ou sont incompatibles avec ces dernières. Si l'arbitrage n'est pas autorisé pour régler une réclamation, une poursuite, un différend ou un litige nous opposant, nous nous en remettons à la compétence exclusive des tribunaux de votre province ou territoire de compétence pour le règlement de la réclamation, de la poursuite, du différend ou du litige nous opposant.

Vous ne pouvez vous prévaloir de l'option de retrait que de la manière décrite plus haut (c'est-à-dire par courriel ou par téléphone). Aucun autre type d'avis ne sera pris en compte pour le retrait de la présente procédure de règlement de différend. Le fait de se retirer de la présente procédure de règlement de différend ne compromet d'aucune façon la protection accordée en vertu de la Garantie limitée, et vous continuerez à jouir de tous les avantages prévus par la Garantie limitée. Si vous conservez ce produit sans vous prévaloir de l'option de retrait, vous acceptez les conditions générales de la disposition sur l'arbitrage énoncées ci-dessus.

Conflit de modalités. En cas de conflit ou d'incompatibilité entre les modalités de la présente garantie limitée et le contrat de licence d'utilisation (CLU) en ce qui concerne le règlement des différends, les modalités de la présente garantie limitée contrôlent et régissent les droits et obligations des parties et ont préséance sur le CLU.





LG Customer Information Center

1-800-243-0000 USA

1-888-542-2623 CANADA

Register your product Online!

www.lg.com