

Date:

For: File Resubmit
 Approval Other _____

PO No.:

Architect:

GC:

Engr:

Mech:

Rep:

(Company)

(Project Manager)



LC097HV4

Ceiling Cassette Single Zone

Outdoor Unit (ODU) - LUU097HV Indoor Unit (IDU) - LCN097HV4



Performance:

Cooling:

Cooling (Min-Rated-Max, Btu/h)	3,600 - 9,000 - 9,900
SEER	20.2
EER	13.65

SEER - Seasonal Energy Efficiency Ratio EER - Energy Efficiency Ratio

Heating:

Heating (Min-Rated-Max, Btu/h)	4,400 - 11,000 - 12,100
HSPF	10.5

HSPF - Heating Seasonal Performance Factor

Electrical:

Power Supply (V ¹ /Hz/Ø)	208-230/60/1
MOP (A)	15
MCA (A)	11.9
Cooling Rated Amps (A)	9.65
Heating Rated Amps (A)	9.65
Compressor (A)	9.0
Fan (IDU+ODU) (A)	0.65
Cooling Power Input (kW)	0.66
Heating Power Input (kW)	0.83

MOP - Maximum Overcurrent Protection MCA - Minimum Circuit Ampacity

Pipe Connections:

Liquid Line (in, OD)	1/4
Suction Line (in, OD)	3/8
Additional Refrigerant (oz/ft)	0.22
Max Pipe Length (ft) ²	66
Pipe Length (no add'l Refrigerant, ft)	25
Max Elevation (ft)	49

Features:

- Inverter (Variable speed compressor)
- Internal condensate pump
- Swirl Wind
- Jet Cool
- Independent vane control
- Evaporator frost control
- Auto restart
- Auto changeover
- Ultra-quiet turbo fan
- Night quiet operation
- IDU compatible with Multi F ODUs

Required Accessories (sold separately):

- Cassette Grille [PT-UQC or PT-QCHW0]

Optional Accessories (sold separately):

- LG Programmable Thermostat - PREMTB10U
- Ventilation³ Kit - PTVK430
- Decorative Cover - PTDCQ
- Low Ambient Wind Baffle (Cooling operation to -4°F) - ZLABGP01A
- PI-485 - PMNFP14A1

For continual product development, LG reserves the right to change specifications without notice.

© LG Electronics U.S.A., Inc., Englewood Cliffs, NJ. All rights reserved. "LG Life's Good" is a registered trademark of LG Corp. /www.lghvac.com

Operating Range:

Outdoor Unit:

Cooling (°F DB)	0-118
Heating (°F WB)	-4-64

Indoor Unit:

Cooling (°F WB)	57-77
Heating (°F DB)	59-81

Unit Data:

Refrigerant Type	R410A
Refrigerant Control	EEV
Refrigerant Charge (lbs)	2.43
IDU Sound Pressure (H/M/L) ±3 dB(A) ⁴	36/33/30
ODU Sound Pressure Max (Cool/Heat) ±3 dB(A) ⁴	47/51
ODU Net Unit Weight (lbs)	82
ODU Shipping Weight (lbs)	89
IDU Net Unit Weight (lbs)	31
IDU Shipping Weight (lbs)	37
Grille Weight (lbs)	7
Grille Shipping Weight (lbs)	9

Fan:

ODU Type	Axial
IDU Fan Type	Turbo
Fan Speeds (Fan/Cooling/Heating)	4/5/4
Fan Quantity (ODU + IDU)	(1 + 1)
Motor/Drive	Brushless Digitally Controlled/Direct
ODU Air Circulation (CFM)	988
IDU Air Circulation (CFM H/M/L)	300 / 265 / 230
Dehumidification (pts/hr)	1.6

Notes:

1. Acceptable operating voltage: 187V - 253V.
2. Piping lengths are equivalent.
3. Must comply with applicable codes for fire isolation dampers.
4. Sound pressure levels are tested in an anechoic chamber under ISO Standard 1996.
5. All power/communication cable to be minimum 18 American wire gage (AWG), 4-conductor, stranded, shielded or unshielded wire and must comply with applicable local and national code. If shielded, the wire must be grounded to the chassis at the outdoor unit only.
6. This unit comes with a dry helium charge.
7. Nominal data is rated 0 ft above sea level, with 25 ft of refrigerant line and a 0 ft level difference between outdoor and indoor units.
8. Power wiring cable size must comply with the applicable local and national code.
9. Must follow installation instructions in the applicable LG installation manual.



Outdoor Unit (ODU) - LUU097HV

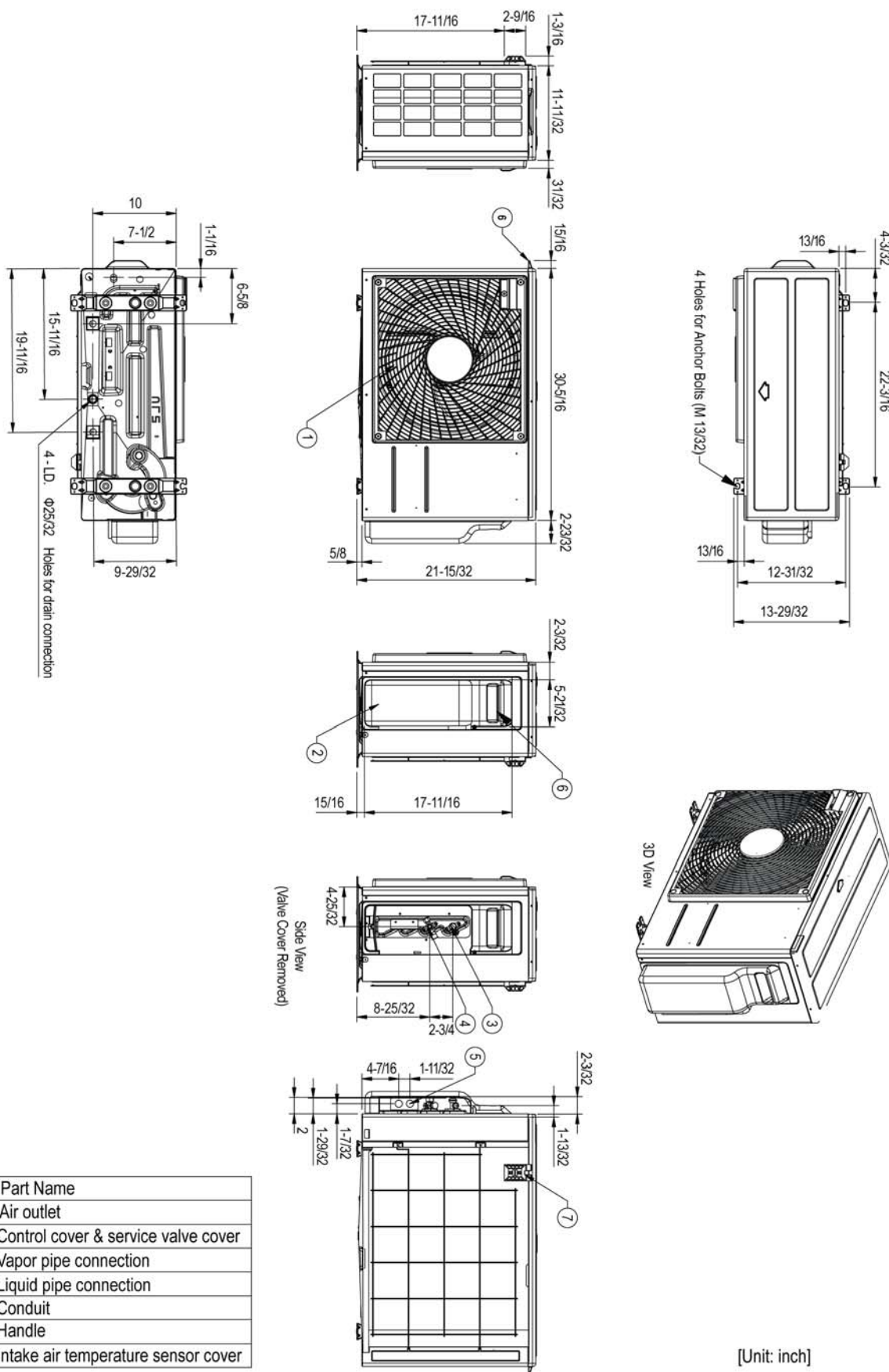
Ceiling Cassette Single Zone



Tag #:

Date:

PO No.:



No.	Part Name
1	Air outlet
2	Control cover & service valve cover
3	Vapor pipe connection
4	Liquid pipe connection
5	Conduit
6	Handle
7	Intake air temperature sensor cover

[Unit: inch]

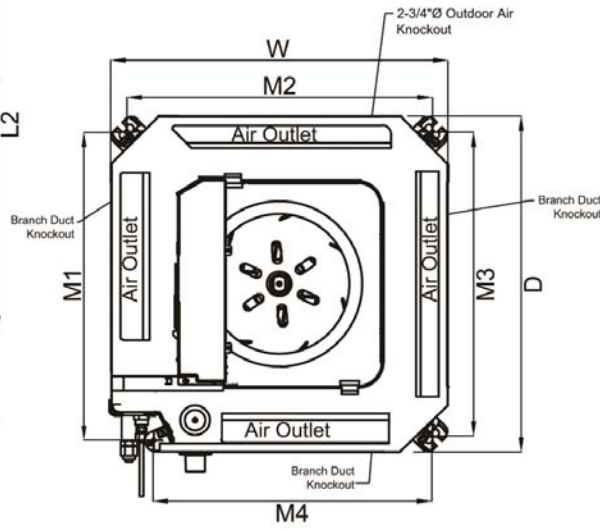
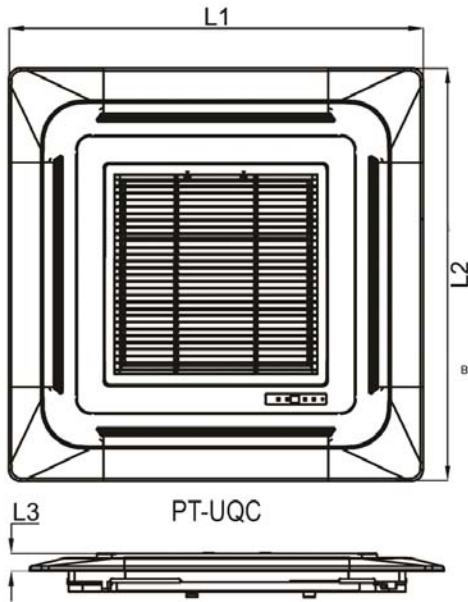
Indoor Unit (IDU) - LCN097HV4
Ceiling Cassette Single Zone



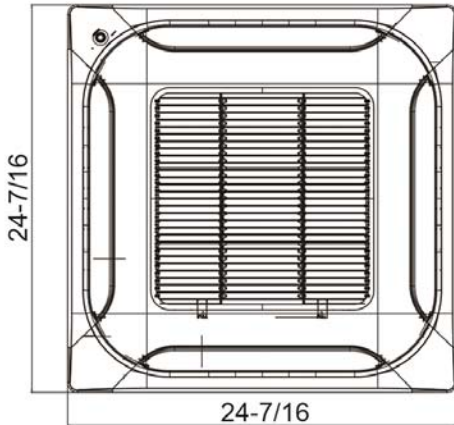
Tag #:

Date:

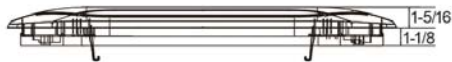
PO No.:



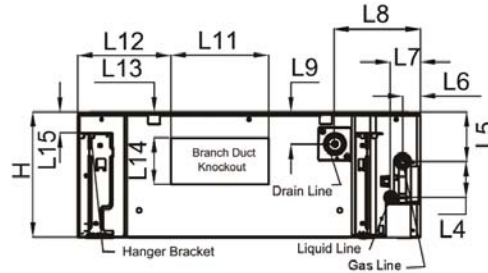
Bottom View



PT-QCHW0



Grille



Side View

W	22-7/16"
H	8-7/16"
D	22-7/16"
L1	27-9/16"
L2	27-9/16"
L3	7/8"
L4	2-13/32"
L5	3-7/8"
L6	1-3/16"
L7	1-15/16"
L8	5-5/8"
L9	1-1/32"
L10	1-11/32"
L11	6-1/2"
L12	5-13/16"
L13	3-3/16"
L14	3-1/8"
L15	1-11/32"
M1	20-19/32"
M2	20-3/8"
M3	20-3/8"
M4	18-5/32"