



SEDONA BY LYNX™ SERIES

# 36" SEDONA BUILT-IN GRILL

WITH 3 STAINLESS STEEL BURNERS (L600)



OPEN VIEW

## L600 PRODUCT OVERVIEW

- Variable power—three Stainless Steel Burners combining to provide up to 69,000 BTU
- Consistent assurance—direct spark ignition with battery backup
- Perfect clarity—dual halogen grill surface lights
- Quick visibility—temperature gauge
- Easy opening—Lynx Hood Assist Kit
- Steadfast durability—heavy-duty welded construction eliminates gaps where grease can collect
- Ample capacity—891 square inches of cooking surface (618 primary, 273 secondary)
- Beautiful illumination—blue-lit control knobs
- Steady performance—heat-stabilizing design
- Smooth opening—fluid rotation handle
- Premier platform—stainless steel grilling grates



FOR A COMPLIMENTARY CUSTOM DESIGN FOR YOUR OUTDOOR KITCHEN, VISIT [LYNXGRILLS.COM/DESIGN-CENTER](http://LYNXGRILLS.COM/DESIGN-CENTER)

## L600 PRODUCT FEATURES

The Sedona by Lynx™ Series is always evolving to be the best at something new. That philosophy is reflected in its features. We've refined these features to give you a grilling experience that's both simple and stunning.



STAINLESS STEEL BURNERS



SPARK IGNITION SYSTEM



SEAMLESS WELDED CONSTRUCTION



INTEGRATED ILLUMINATION



LYNX HOOD ASSIST



CERAMIC RADIANT BRIQUETTES



EXPANSIVE GRILLING SURFACE

**FOR MORE INFORMATION ON SEDONA BY LYNX™ SERIES PRODUCT FEATURES, PLEASE VISIT [LYNXGRILLS.COM](http://LYNXGRILLS.COM)**

PRODUCT TECHNICAL SPECIFICATIONS



**CUT-OUT DIMENSIONS:** WIDTH: 35" / HEIGHT: 10" / DEPTH: 21.25"



**SHIPPING DIMENSIONS:** WIDTH 33.5" / HEIGHT 41" / DEPTH 30"  
**SHIPPING WEIGHT:** 180 POUNDS



**GAS REQUIREMENTS:** SHIPS IN LIQUID PROPANE OR NATURAL GAS FROM FACTORY

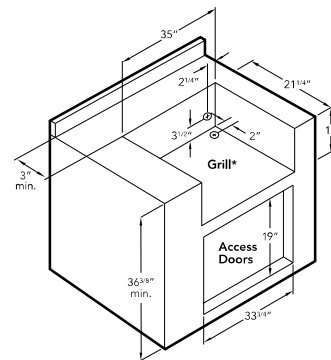


**ELECTRICAL REQUIREMENTS:** INSTALLATION REQUIRES AN OUTDOOR 120V/15GFI ELECTRICAL OUTLET ADJACENT TO PRODUCT



**COOKING CONFIGURATION:** BUILT-IN GRILL WITH 1 PROSEAR INFRARED BURNER AND 1 STAINLESS STEEL BURNER

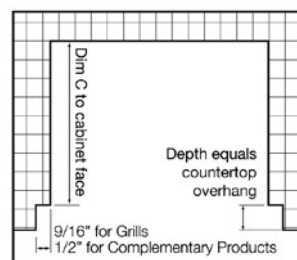
### L600 ISLAND PREPARATION



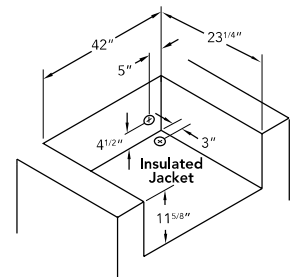
\*2" round hole must be located at rear of grill cutout. 120V GFI outlet must be located within 6" of the 2" hole.

PRODUCT SPECIFICATIONS & INSTALLATION

#### COUNTERTOP NOTCH DETAIL



#### INSULATING JACKET



**Note:** Insulating jacket required for all grills installed into a combustible enclosure. For natural gas grills, Lynx recommends using 3/4" gas lines. Side burners may be rotated 90 degrees. See installation manuals for details.