

KoolMore Reserve 36" Professional Induction Oven Range With 11 Kw Polished Glass Ceramic Cooktop, 7.8 Kw True Convection Oven, 6 Cu. Ft. Capacity, 240 Volts, 50A,60HZ

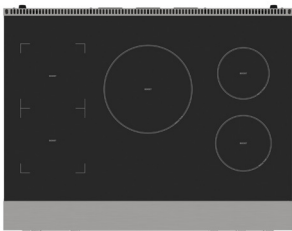
Model: KM-IPR-36TP-SS

FEATURES

- Professional Performance: 11 kW ceramic cooktop and 7.8 kW convection oven for precise, fast heating.
- Spacious Oven: 6-cu. ft. capacity with two racks and six adjustable positions.
- Advanced Cooking Modes: Includes Bake, Convection Bake, Broil, Roast, Air Fry, Pizza, Proof, Dehydration, and keep-warm.
- Self-Cleaning: Offers self-cleaning and steam-cleaning for easy maintenance.
- Touchscreen Controls: Intuitive front-mounted digital controls with precise temperature and delay bake options.
- Sync Burners & Boost: Synchronized burners for large cookware, boost function for rapid heating.
- Certified & Warrantied: CSA-certified with a 3-year parts and labor warranty.



CLOSE UP IMAGES



Technical Specs

Dimensions

Length	35.87
Width	29.33
Height	36.3
Interior Width	29.7
Interior Depth	19.6
Interior Height	18
Cutout Dimensions	36x28.25x36
Depth With Door Open 90 Degrees	48.2
Depth Excluding Handles	28.3
Depth Including Handles	30.1
Weight Lbs	243

Capacity

Gross Cubic Feet	6.07
Net Cubic Feet	4.89

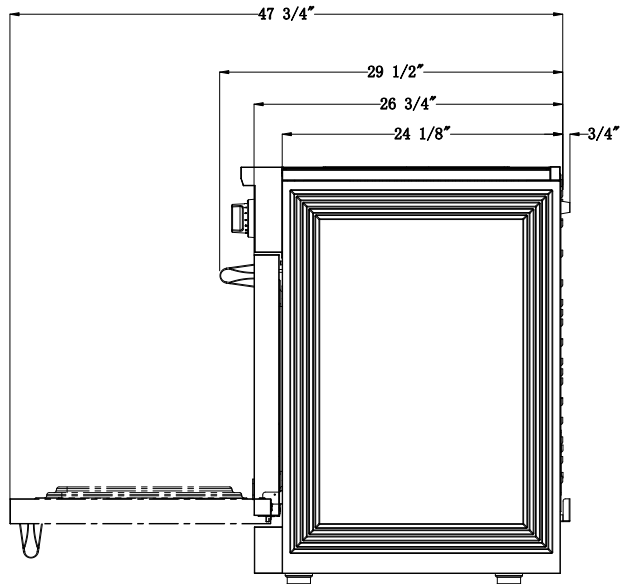
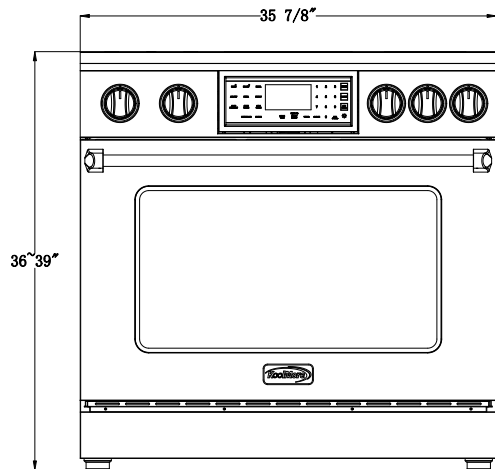
Features & Materials

Fuel Type	Electric
Convertible	No
Cleaning Type	Self-Clean and Steam
Temperature Range	85-550 F
Preheattime	10 min.
Number Of Oven Racks	2
Rack Positions	6
Glide Rollout Racks	No
Number Of Elements	5
Heating Element Diameter	FL and BL: 8 in. Center: 11 in. FR: 7 in. BR: 6.5
Heating Element Wattage	3500W/3500W/800W
Cooktop Surface Type	ceramic glass
Cooktop Features	Heating
Broiler Location	Top of the oven
Delay Bake	Yes
Control Type	Digital- Touchscreen
Control Location	Front Control Panel
Hot Surface Indicator Lights	Yes
Keep Warm Setting	Yes
Backsplash Size	None
Exterior Material	Stainless-Steel
Interior Material	Steel
Color Finish	Stainless-Steel
Interior Color	Black
Color Of Cooktop	Black
Interior Lights	Halogen
Feature One	Sync burners and 10 min. boost function
Feature Two	Child lock
Feature Three	Dehydration
Feature Four	12 hour automatic shut-off
Feature Five	Bake/Convection Bake
Feature Six	Broil/Roast
Feature Seven	Air Fry/Pizza/Proof/Fast Heating

Electric & Certifications

Amps	50
Hertz	50
Phase	2
Voltage	240
Wattage	16300
Electrical Installation Type	Hardwire
Certifications	CSA Certified

Plan View



CERTIFICATIONS



KOOLMORE
RESERVE

718-576-6342
info@koolmore.com