

KoolMore Reserve Commercial Undercounter Dry Aging Refrigerator Stainless Steel 24"x34"

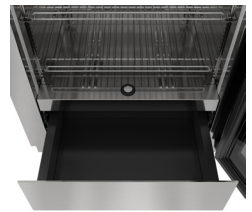
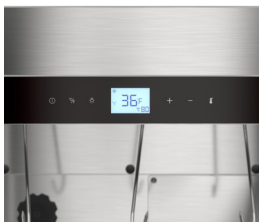
Model: KM-DAR-34SS

FEATURES

- KoolMore Reserve Collection: Elite dry aging unit blending commercial performance and refined craftsmanship for chefs and culinary professionals.
- Precision-Controlled Environment: Maintains 36–43°F (2°C) and 80% humidity for safe aging of beef, pork, fish, ham, salami, enhancing flavor and tenderness.
- UVC & Humidity Systems: Active UVC-ventilated disinfection reduces bacteria and odors; automated humidity control ensures stable moisture levels.
- Digital Controls: Front panel with LCD screen for precise temperature and humidity adjustments, with digital readouts for easy monitoring.
- Stainless-Steel Construction: Food-grade 304 stainless steel interior, exterior, door, and handle for durability, easy cleaning, and professional finish.
- Tempered Glass Door: Stainless-trimmed, reversible hinge with top hinge hardware for flexible left or right-side opening, seals internal conditions.
- Automatic Defrost & Air Circulation: Internal fan and auto-defrost system ensure even cooling, consistent airflow, and frost-free performance.
- Compact Undercounter Design: Fits 24 in. W x 23 in. D x 34.13 in. H cut-out, includes 2 shelves (66 lb. capacity each), 1 hanger bar, 3 hooks, 1 drip pan, 1 UVC bulb, 1 charcoal filter, and stainless-steel handle.
- Certified & Warranty: ETL C&US certified for commercial safety and sanitation, backed by a 3-year manufacturer's warranty.



CLOSE UP IMAGES



Technical Specs

Dimensions

Length	23.39
Width	22.64
Height	33.86
Interior Depth	17.322
Interior Width	19.41
Interior Height	20.4
Weightlbs	130
Depth Including Handles	24.37
Depth Less Door	20.87
Depth Excluding Handles	22.64
Depth With Door Open 90 Degrees	44.69
Height To Top Of Door Hinge In	34
Minimum Back Air Clearance In	Not Required
Minimum Side Air Clearance In	.25 in.
Power Cord Length	70.87

Capacity

Gross Cubic Feet	5.3 cu ft
Net Cubic Feet	3.82 cu ft
Individual Shelf Capacity	66 lbs.
Hanger Capacity	110 lbs.

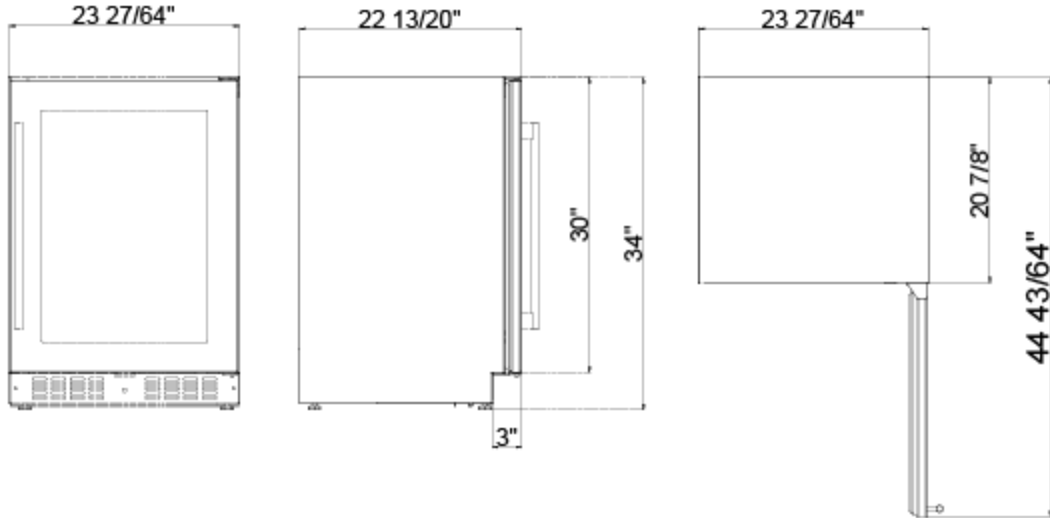
Features & Materials

Counter Depth	Yes
Defrost Type	Automatic
Refrigerant Type	R-600a
Cooling Unit Type	Automatic
Horsepower	0.25
Number Of Doors	1
Door Style	Swing
Number Of Shelves	2
Temperature Range	36-54 F
Ambient Temperature Range	60-110 F
Ambient Humidity Range	50-80%
Humidity Control	Yes
Humidity Alarm	Yes
Interior Lights	LED
Interior Lights Color	White
Interior Lights Location	Right and Left Sides
Digital Temperature Control	Yes
Digital Humidity Display	Yes
Temperature Control Type	Digital
Color Finish	Stainless-Steel
Door Material	Stainless-Steel and Glass
Hinge Location	Right
Shelf Material Type	Stainless-Steel
Reversible Doors	Yes
Noise	43 dB
Thermostat Type	Digital
Glass Type	Tempered with UV Protection
Shelves Adjustable	Yes
Interior Material	Stainless-Steel 304
Exterior Material	Stainless-Steel 304
Hanger Material	Stainless-Steel
Safety Lock	Yes
Plug Type	NEMA 5-15P

Electric & Certifications

Amps	3
Hertz	60
Phase	1
Voltage	115
Wattage	250
Certifications	ETL C&US for Safety and Sanitation

Plan View



CERTIFICATIONS



Intertek



Intertek