



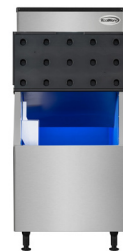
SPEC SHEET

KoolMore 500 lbs./Day Stainless-Steel Air-Cooled Commercial Ice Machine with 375 lbs. Ice Storage

Model: KM-CIM-500

FEATURES

- High-Capacity Ice: Produces 529 lbs. daily, stores 375 lbs., ideal for busy commercial settings.
- Advanced LED Control: Monitors cycles, adjusts ice, and starts cleaning with a button press.
- Efficient Ice System: Uniform ice via evaporator, hot gas cycle for smooth cube release.
- Auto Defrost & Self-Check: Defrosts to maintain efficiency, self-checks at startup to reduce issues.
- Smart Drainage & Storage: Drains every five cycles, insulated bin keeps ice fresh and dry.
- Bin Sensor: Pauses production when full to prevent overflow.
- One-Touch Cleaning: Activates cleaning cycle with a six-second button hold.
- Durable Stainless-Steel: 430 stainless-steel build for corrosion resistance and longevity.
- NSF/ETL Certified: Meets safety and sanitation standards, 1-year manufacturer's coverage.



CLOSE UP IMAGES



Technical Specs

Dimensions

Length	31.46
Width	32.28
Height	67.05
Weightlbs	204
Interior Width	27
Interior Depth	27.8
Interior Height	36.4
Power Cord Length	98

Capacity

Ice Production Per Day Lb	529 lbs./24h
Ice Storage Capacity Lb	375

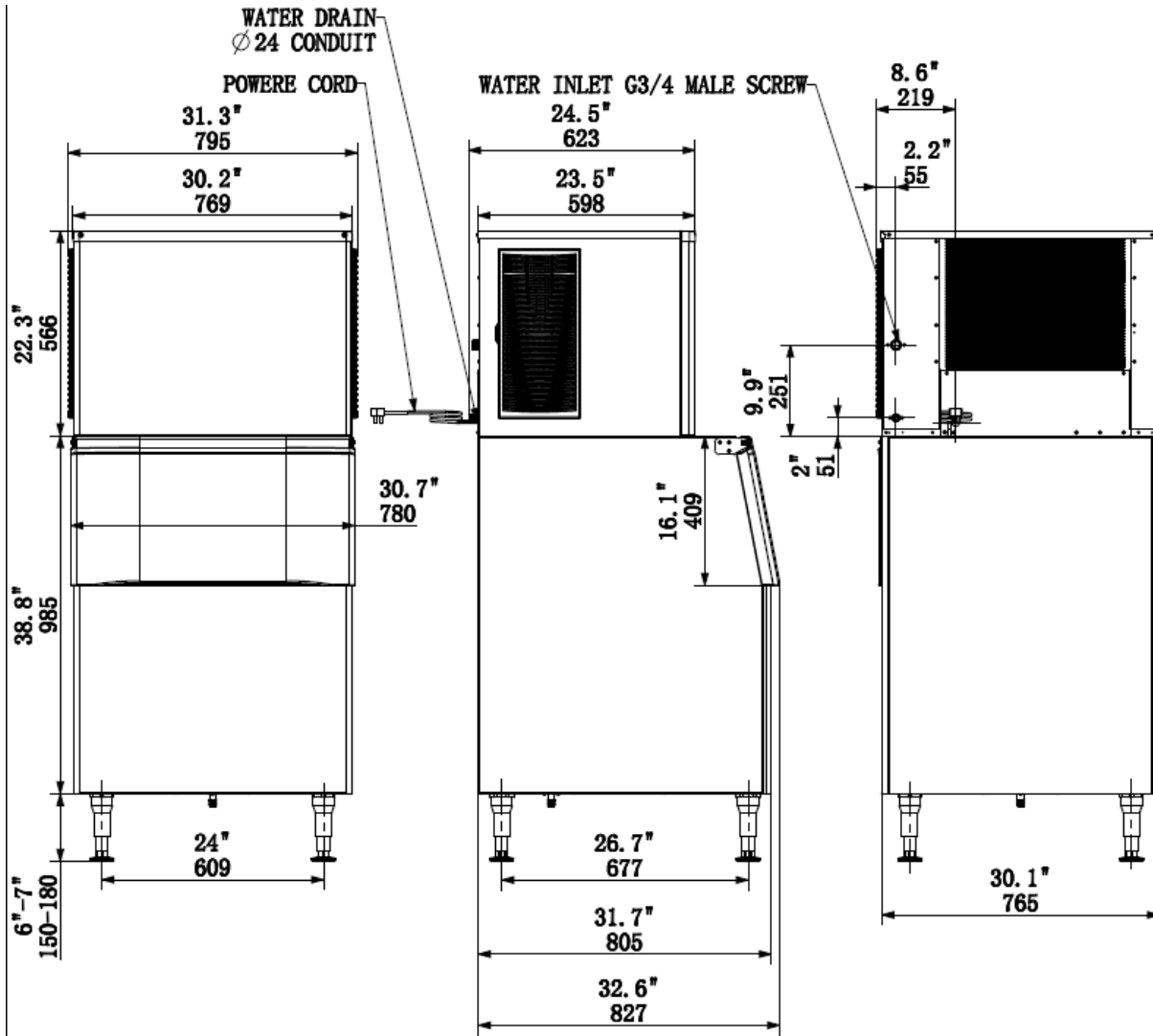
Features & Materials

Door Style	Vertical Swing
Installation Type	Freestanding
Cooling Unit Type	Automatic
Refrigerant Type	R-290
Ambient Temperature Range	41-100 F
Diameter Of Water Line Connection	0.37
Diameter Of Drain Line Connection	0.94
Drain Type	Pump
Drain Required	Included
Gauge Of Stainless Steel	
Exterior Material	430 Stainless-Steel
Interior Material	
Color Finish	Stainless-Steel
Interior Color	Blue
Ice Machine Type	Freestanding
Ice Type	Cube
Number Of Possible Ice Cube Shapes	1
Number Of Possible Ice Cube Sizes	1
Cycle Length Mins	12.55 min.
Number Of Feet	4
Feet Material	Plastic and Galvanized Steel
Legs Adjustable	Adjustable telescopic feet 6-7 inches

Electric Info

Plug Type	5-15P
Horsepower	1.25
Amps	8.9
Hertz	60
Phase	1
Voltage	115
Wattage	928

Plan View



718-576-6342
 info@koolmore.com