



# SPEC SHEET

## KoolMore Reserve Outdoor Kitchen Island with 6 Burner Grill and Side Burner, Sink, Storage Cabinet and Beverage Refrigerator in Black

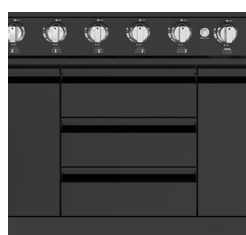
Model: KM-OKS-BQHUB-BK

### FEATURES

- **KoolMore Reserve Collection:** High-end outdoor kitchen island with luxury styling and superior craftsmanship.
- **Durable Construction:** Premium 304 stainless steel, corrosion-resistant for long-lasting outdoor use.
- **Versatile Cooking:** Eight burners, including a 12,000 BTU side burner and 15,000 BTU infrared back burner for searing, grilling, and slow cooking.
- **Rotisserie Kit:** Includes two forks and a spit for even roasting of large cuts or whole chickens.
- **Cooking Surfaces:** 13.5 x 17.5 in. cast iron griddle and two stainless steel grates with 666.9 sq. in. of cooking space.
- **Integrated Lighting:** Halogen-lit grilling area and LED-illuminated control knobs for nighttime use.
- **Ample Storage:** Two cabinets and three drawers (33 lb. capacity each) with a slide-out propane holder.
- **Stainless Steel Refrigerator:** 304 stainless steel construction; holds 43 bottles or 68 cans; 37–61°F range; IPX4 waterproof; LED lighting.
- **Stainless Steel Sink:** 21-gauge 304 stainless steel, 11.8 x 15 x 7.9 in.; NSF & UPC certified faucet; cold water use.
- **Fuel Flexibility:** Convertible between propane and natural gas with included NG kit.
- **Weather Cover:** Protects grill and kitchen from the elements for longevity.
- **CSA Certified & Warranty:** Meets CSA standards; 1-year parts and labor warranty.



### CLOSE UP IMAGES



# Technical Specs

## Grill Data

Number Of Burners	8
Burner No1 BTU	13000
Burner No2 BTU	13000
Burner No3 BTU	13000
Burner No4 BTU	13000
Burner No5 BTU	13000
Burner No6 BTU	12000
Side Burner BTU	15000
Cooking area Sq. in	Total 666.9, Griddle: 238
Fuel Type	LP
Convertible	Yes
Control Type	Mechanical
Thermometer	Yes
Ignition Type	Piezo
Burner Grate Material	Stainless-Steel 304
Grate Thickness	0.5
Griddle Included	Yes

## Electric & Certification

Power Cord Length	82.5 in
Amps	Grill 0.3, Fridge 1
Hertz	60
Phase	1
Voltage	Grill 120, Fridge 115
Wattage	Grill 30, Fridge 90
Plug Type	NEMA 5-15P
Certifications	CSA Listed

## Dimensions

Length	103 in
Width	25 in.
Height	47.6 in.
Weight Lbs	374

## Sink

Sink Material	Stainless Steel
Sink Material Gauge	21
Diameter of Drain Line Connection	2 in.
Diameter of Water Line Connection	0.5 in.
DxWxH of Bowl	11.8x15x7.9

## Refrigerator

Gross Cubic Feet	2.68 Cu. Ft.
Can Capacity	68 (12 fl. oz.)
Temperature Range	37-61°F
Ambient Temperature	61-100°F
Control Type	Mechanical
Cooling Unit Type	Automatic
Defrost Type	Manual
Refrigerant Type	R-600a
Interior Lights	LED
Interior Width	20.7 in.
Interior Height	27.5 in
Interior Depth	20.5 in.
Depth With Door Open 90°	29.13 in.
Depth Excluding Handles	20.4 in.
Number of Doors	1
Number of Shelves	3
Reversible Doors	No
Door Handle	Stainless Steel 304
Door Material	Glass and Stainless Steel
Lock	Yes
Noise	40 dB
Compressor Location	Bottom
Waterproof Rating	IPX4

# Technical Specs

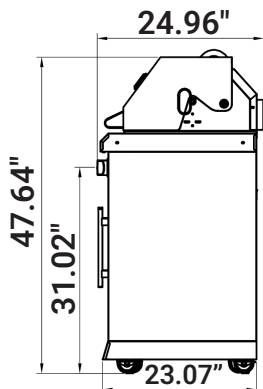
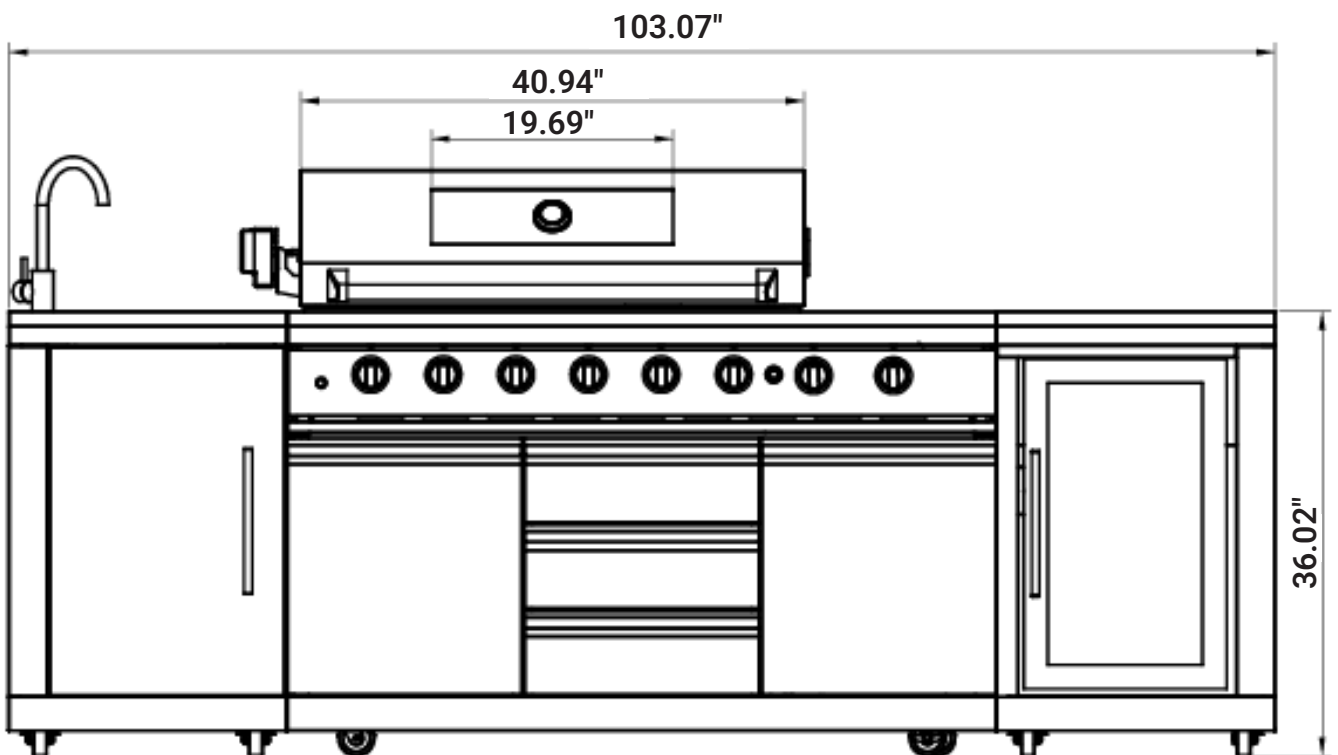
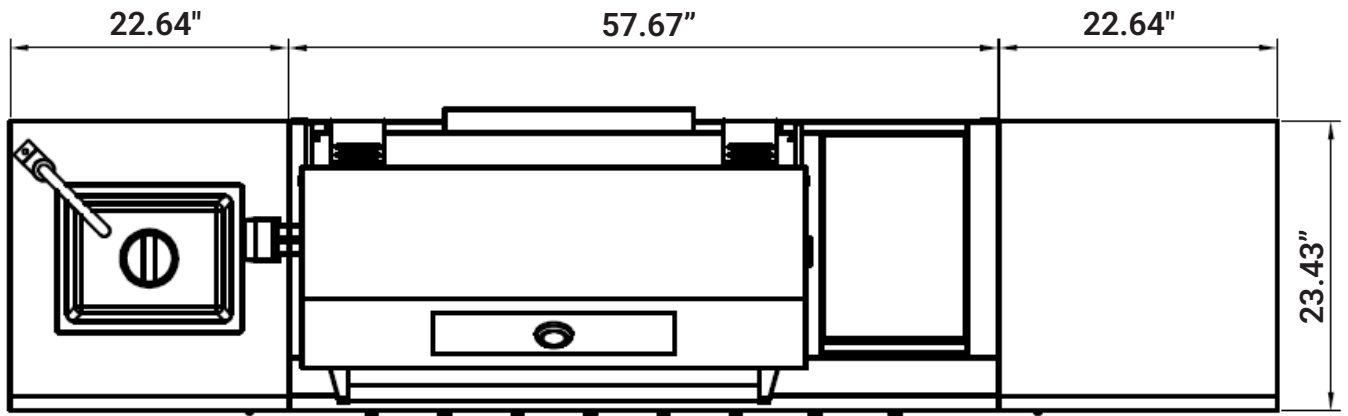
## Cabinet

Shelf Material Type	Iron
Fuel Cabinet	Yes
Cabinet Style	Slide Out
Number of Cabinets	2
Number of Drawers	3
Interior Drawer Material	Stainless-Steel 304
Individual Drawer Capacity	33 lbs.

## Features

Legs Adjustable	No
Weather Cover	Yes
Light	Haogen
Illuminated Knobs	Yes
Knobs Material	Plastic
Color Finish	Black
Material	Black Stainless Steel
Rotisserie	1 spit, 2 rotisserie forks
Light Type	LED Above Knobs
Number of Feet	4
Casters	8

# Plan View



718-576-6342  
info@koolmore.com