



SPEC SHEET

92 In. Argentine Santa Maria Charcoal and Wood Grill, Adjustable Grate Outdoor BBQ, in Black

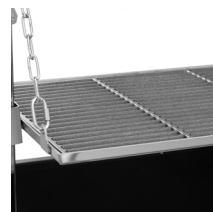
Model: KM-OG-AWD-92

FEATURES

- **Authentic Santa Maria-Style Live Fire Cooking:** Designed for charcoal and wood fuel, delivering traditional Argentine grilling with adjustable heat control directly over the open flame.
- **Dual Independent Height-Adjustable Grates:** Two separate cooking grates operate on individual flywheel systems, allowing you to control each side independently for searing, roasting, or slow cooking.
- **13" Vertical Grate Adjustment Range:** Easily raise or lower the grates up to 13 inches to manage cooking intensity and maintain precise temperature control.
- **Large 5.38 sq. ft. Total Cooking Area:** Dual 2.69 sq. ft. cooking zones provide generous space for preparing multiple cuts of meat and vegetables at once.
- **Firebrick-Lined Firebox with 133 lb. Fuel Capacity:** Built with 70 fire bricks to maximize heat retention and support substantial charcoal or wood loads for extended cooking sessions.
- **Reinforced Steel Construction with 550°F High-Temperature Finish:** Powder-coated Q235 steel body designed to withstand demanding outdoor cooking conditions.
- **Heavy-Duty Lift & Drive Components:** 0.16" thick steel flywheels and a 0.79" diameter solid axle system engineered for smooth operation and high load capacity.
- **Integrated Prep & Storage Space:** 20" x 20" side shelf (44.4 lb. capacity) and 68.5" x 23.82" bottom rack (110 lb. capacity) provide convenient space for tools, fuel, and accessories.



CLOSE UP IMAGES



Technical Specs

Dimensions & Weight

Length	86.14
Width	25.1
Height	70.35
Weight lbs.	529
Interior Width	66.34
Interior Depth	20.79
Interior Height	11.61
Shelf Depth	20
Shelf Width	20
Firebox Depth	19.49
Firebox Width	11.02

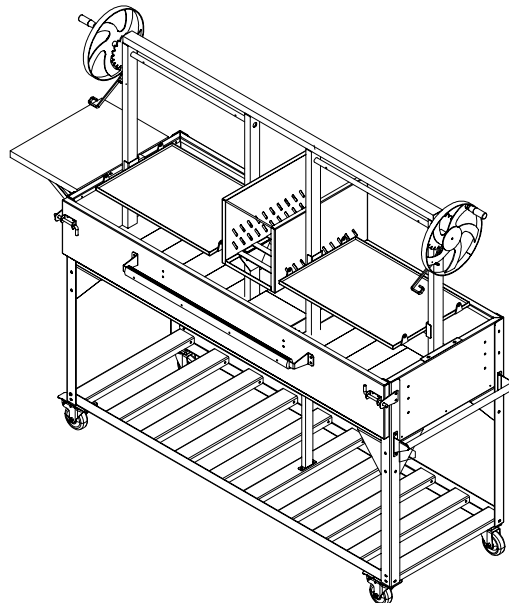
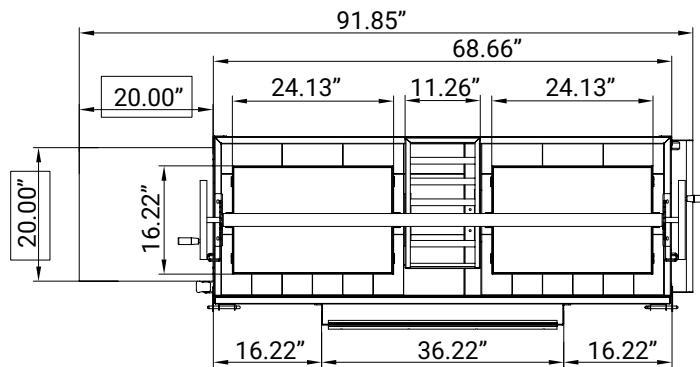
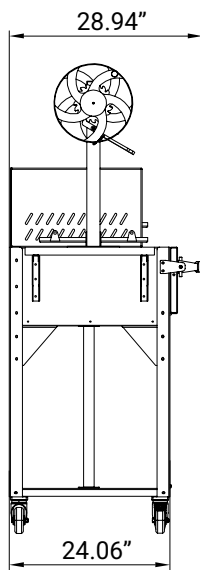
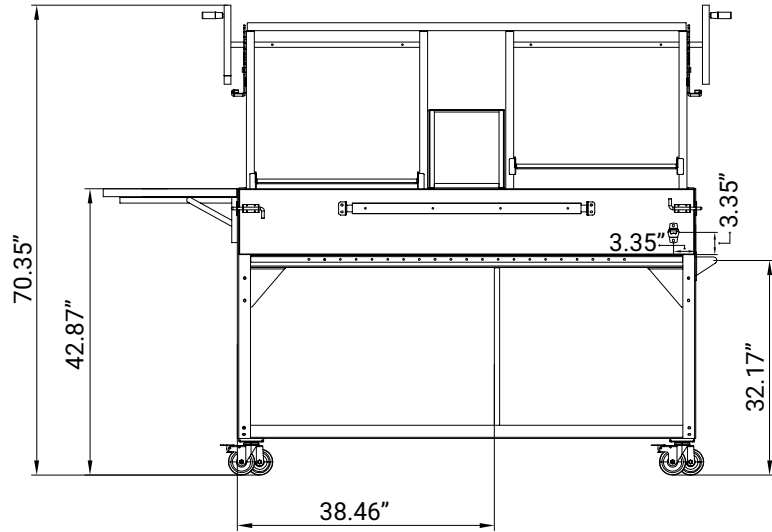
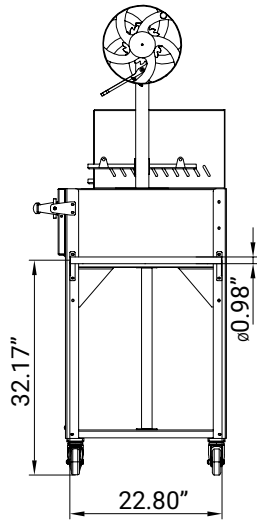
Certifications

Certifications	FDA Compliant
----------------	---------------

Features & Materials

Grill Style	Santa Maria
Fuel Type	Charcoal and Wood
Color Finish	Black
Cooking Area Sq. Ft.	5.38 sq. ft.
Fire Bricks	Yes
Number of Fire Bricks	70
Grates Type	Standard
Burner Grates Material	304 Stainless Steel and Carbon Steel
Assembly Required	Yes
Gauge of Stainless Steel	12
Grate Thickness	.1 in.
Number of Burners	0
Grill Lid	No
Adjustable Grate	Yes
Adjustable Height	13 in.
Number of Grates	2
Side Firebox	Yes
Main Firebox Capacity	133 lbs.
Exterior Material	Powered Painte Q235 Steel
Number of Shelves	1
Maximum Shelf Capacity	44.4 lbs.
Shelf Style	Folding
Casters	4
Accessories Included	Shovel, 4 Hooks
Storage Rack	Yes
Weather Cover Included	Yes
Thermometer	No

Plan View



718-576-6342
info@koolmore.com