

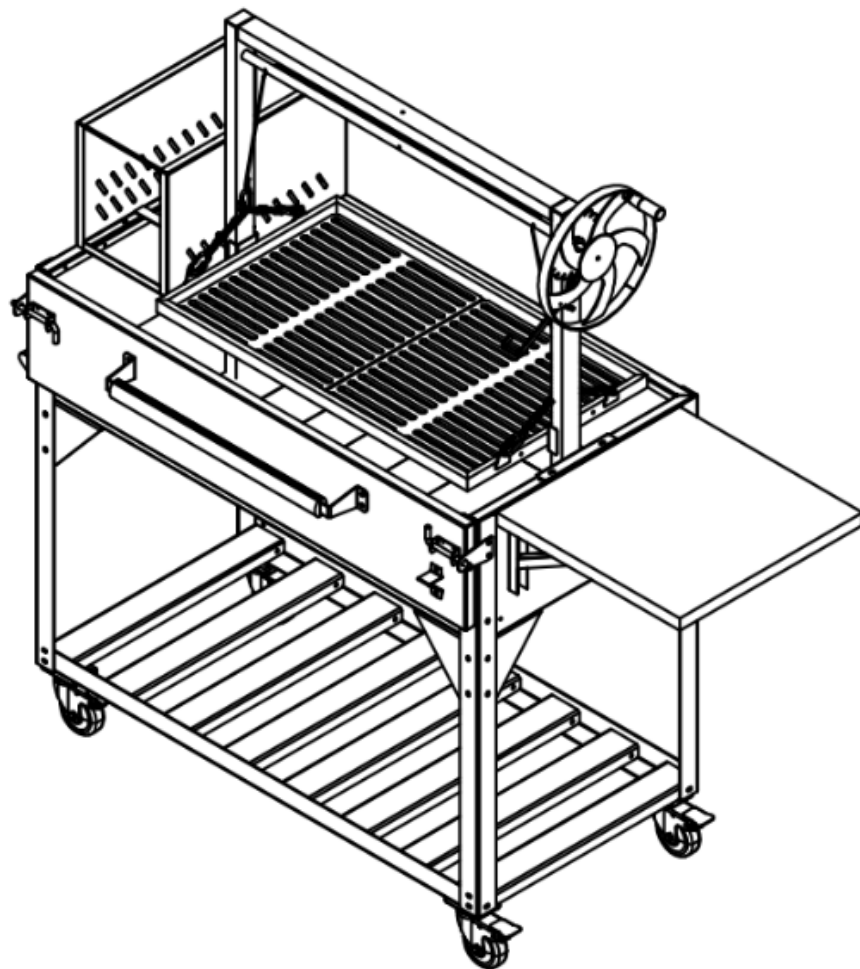


INSTALLATION MANUAL

72 in. Argentine Santa Maria Live Fire, Charcoal BBQ Grill in Black.

Model: KM-OG-AW-72

BBQ GRILL



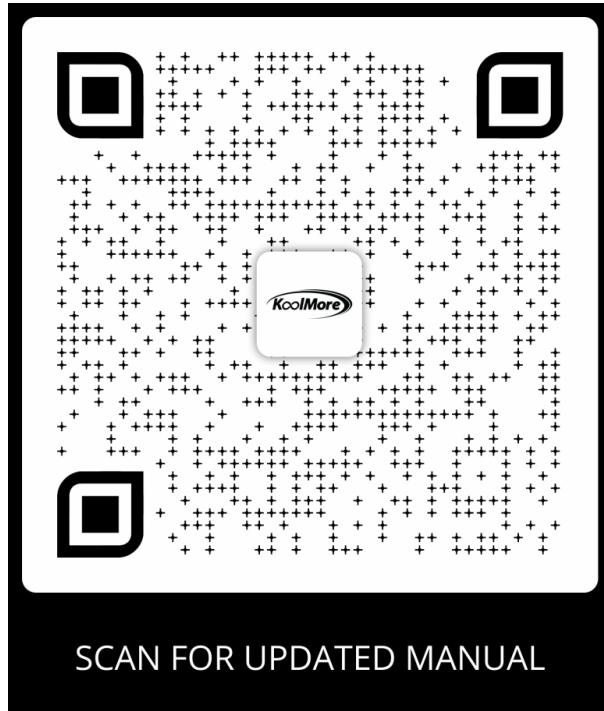
Please read these installation instructions carefully to ensure the appliance is installed correctly and operates safely.

For any service related issues, please contact us:

☎ 718-576-6342 ✉ support@koolmore.com

Stay informed with the latest information for your KoolMore Appliance.

Scan the QR code below to access the most recent Installation Manual on our website, which is constantly being updated and improved.



If you need any assistance or have questions, our customer support team is here to help.

Phone- 718-576-6342 Email- support@koolmore.com

Please write down the model number and serial number below for future reference. Both numbers are located on the rating label on the back of your unit or inside of the unit and are needed to obtain warranty service. You may also want to staple your receipt to this manual as it is your proof of purchase and may also be needed for service under warranty.

Model Number: _____
Serial Number: _____
Date of Purchase: _____

To better serve you, please do the following before contacting customer service:

If you received a damaged product, immediately contact the retailer or dealer that sold you the product.

Read and follow this Installation Manual carefully to help you install, use, and maintain your unit.

Refer to the Troubleshooting section of this manual as it will help you diagnose and solve many common issues.

Contents

Safety	4
Parts	6
Installation	8
Warranty	10

Safety

IMPORTANT SAFETY INFORMATION

WARNING

Failure to follow these instructions may result in fire, explosion, serious injury, or death. Read and understand all safety information before assembling or using this grill.

Fuel Restrictions

- This grill is designed for use with wood and charcoal only.
- DO NOT use propane, natural gas, liquid alcohol fuels, gasoline, lighter fluid, or any other accelerants.
- Use of unapproved fuels may cause fire, explosion, or serious injury.

Location & Installation Safety

- **Outdoor Use Only:** This grill is intended for outdoor use only in a well-ventilated area. DO NOT use indoors, in garages, under awnings, carports, or near enclosed structures.
- **Clearance:** Maintain a minimum clearance of 5 feet on all sides and above the grill from combustible materials, including walls, fences, trees, decks, and furniture.
- **Stable Surface:** Place the grill on a solid, level, non-combustible surface such as concrete or stone. DO NOT place on grass, wood, or other flammable surfaces.
- **Wind Conditions:** Do not operate the grill in strong or gusty winds, as embers and ash may be carried and create a fire hazard.

Fuel & Fire Safety

- **Approved Fuels Only:** Use natural lump charcoal, charcoal briquettes, and small amounts of dry, seasoned hardwood chunks or chips.
- **Lighting Method:** A charcoal chimney starter is strongly recommended.
 - Allow charcoal to fully ash over and turn gray before cooking.
 - Never add fuel to hot or burning coals.
- **Never Use Lighter Fluid:** Pouring lighter fluid or accelerants onto hot or warm coals can cause a flash fire.

Ash Management

- **Cool Before Disposal:** Allow ashes to cool completely for 24–48 hours before handling or disposing of them.
- **Proper Disposal:** Place cooled ashes in a metal container with a tight-fitting lid and store away from buildings or combustible materials.
- **Fire Preparedness:** Keep a fire extinguisher, water source, or sand nearby at all times.

General Operating Safety

- **Never Leave Unattended:** Always supervise the grill while in use or while coals are hot.
- **Children & Pets:** Keep children and pets at a safe distance from the grill at all times.
- **Hot Surfaces:** All grill surfaces become extremely hot during use and remain hot after shut-down.
 - Use heat-resistant gloves or oven mitts.
 - Avoid touching metal surfaces.

- **Use Proper Tools:** Always use long-handled grilling utensils to prevent burns.
- **Do Not Lean Over Grill:** Especially during lighting or when adjusting fuel.
- **No Modifications:** Do not alter the grill in any way. Modifications may result in injury and will void the warranty.
- **Inspect Before Use:** Check the grill for loose hardware, damage, or excessive wear before each use.

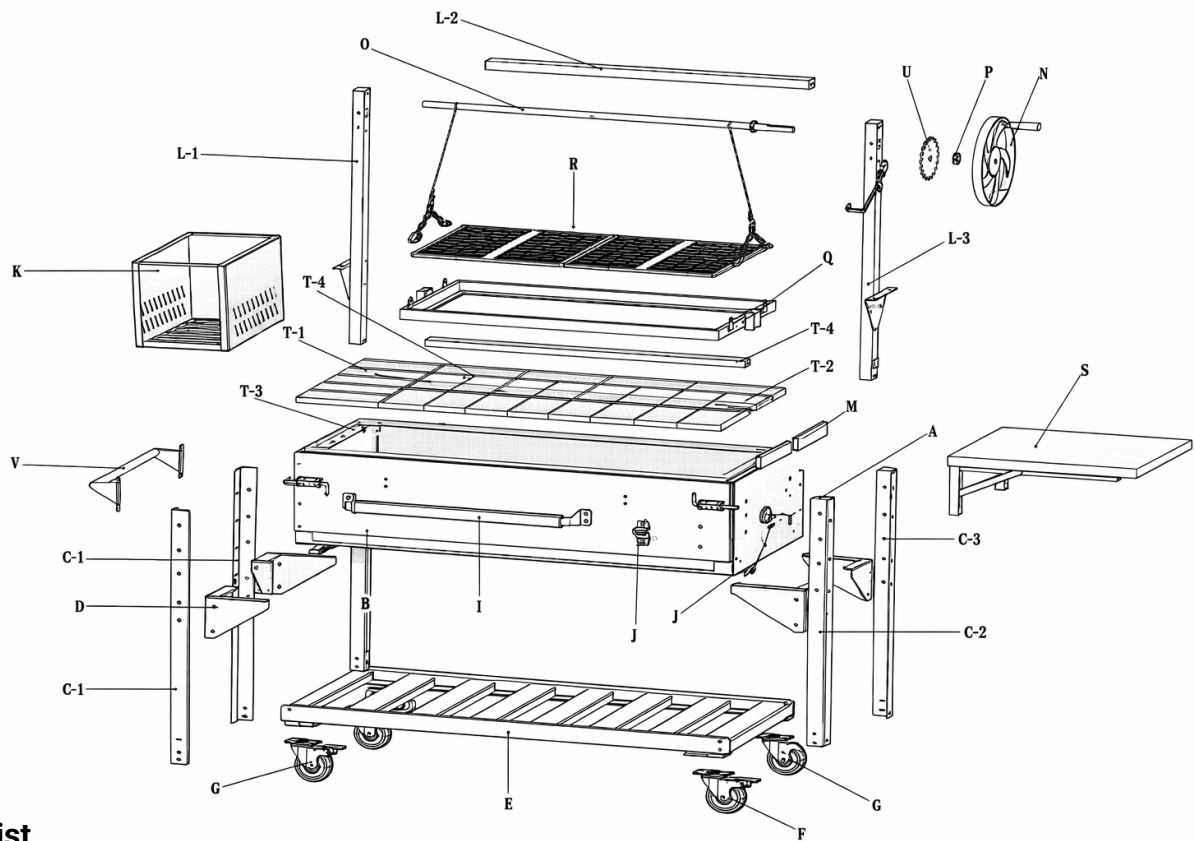
Maintenance & Fire Prevention

- Clean cooking grates and remove grease buildup after each use.
- Excess grease or ash accumulation can cause flare-ups or fire.
- Ensure all ashes are fully cooled before cleaning the firebox.

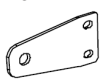






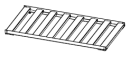






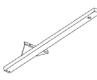


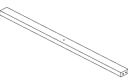





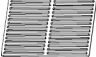



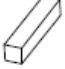


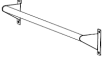
IMPORTANT NOTE

Always follow the assembly instructions specific to your model. Improper assembly or misuse can result in unsafe operation and void the warranty.

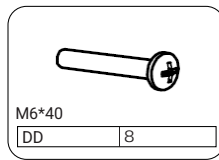
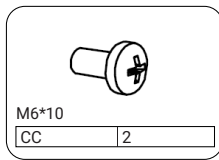
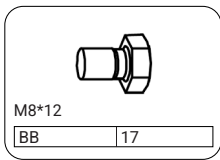
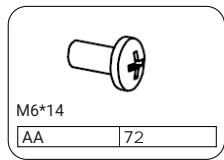
Parts



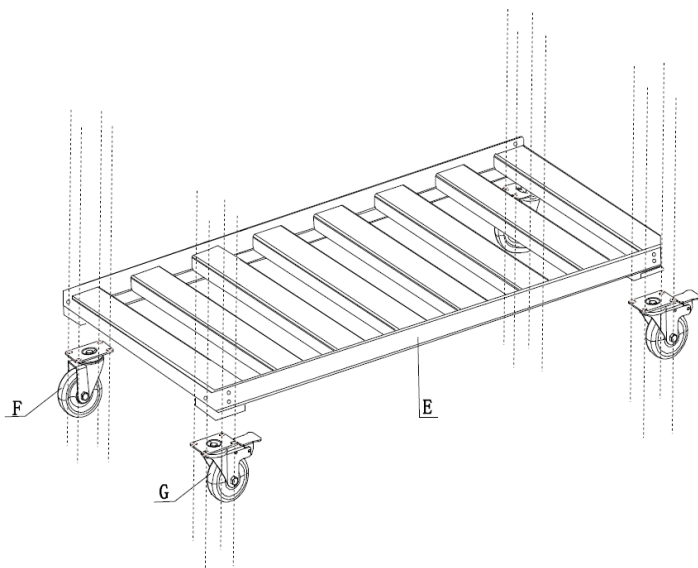
Parts List

 Locking Plate A 2	 Stove Tub B 1	 Leg C-1 1	 Leg C-2 1	 Leg C-3 1	 Leg C-4 1
 Couplers D 4	 Bottom Tray E 1	 Caster F 2	 Casters G 2	 Steel Wire Rope H 2	 Wooden Handle I 1
 Bottle Opener J 1	 Fire Box K 1	 Left Post L-1 1	 Top Beam L-2 1	 Right Post L-3 1	 Bottom Beam L-4 1
 Gap Filler M 2	 Flywheel N 1	 Axle System O 1	 Axle System P 2	 Grill Frame Q 1	 Cooking Grill R 2
 Side Shelf S 1	 Fire Brick 230*115*20 T-1 40	 Fire Brick 230*115*20 T-2 2	 Fire Brick 30*115*20 T-3 10	 Fire Brick 150*115*20 T-4 8	 Gear U 1
 Tool Bar V 1					

Screws

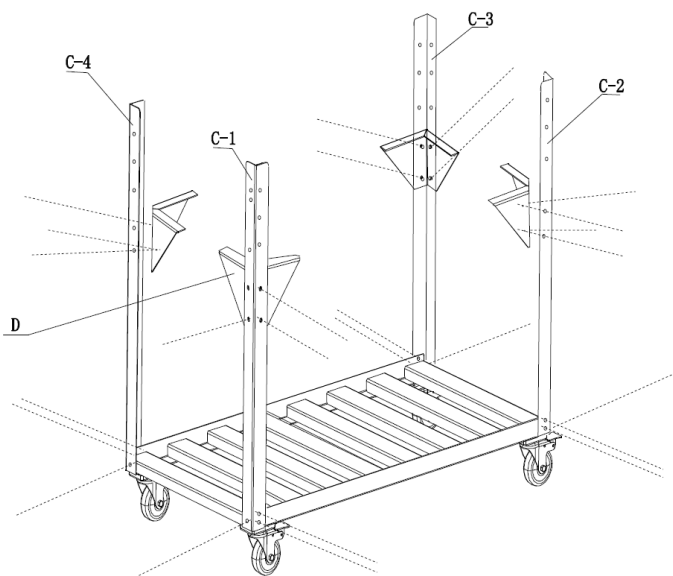
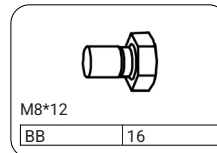


Installation



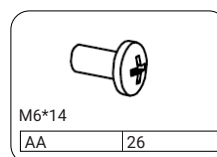
STEP 1 – Install Casters

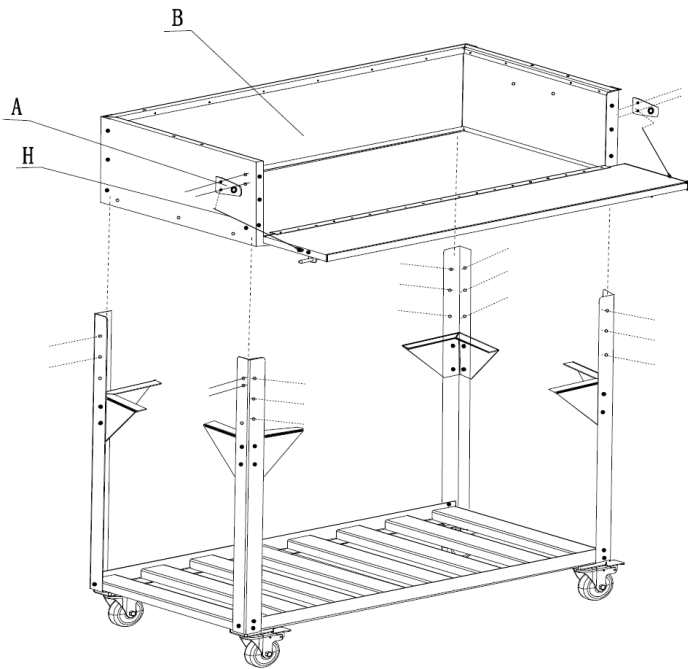
1. Attach two (2) casters (G) to the front side of the bottom tray (E).
2. Attach two (2) casters (F) to the rear side of the bottom tray (E).
3. Secure each caster (G and F) using four (4) M8 × 12 screws (BB).



STEP 2 – Install Legs and Couplers

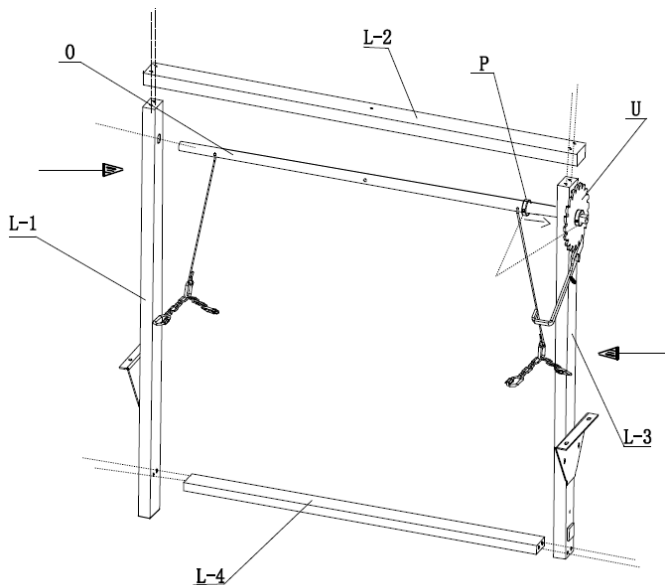
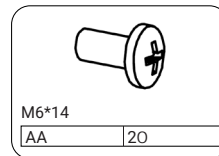
1. Install four (4) legs (C) onto the bottom tray (E), matching each leg to its corresponding number marking (C-1, C-2, C-3, C-4).
2. Secure each leg (C) to the bottom tray using three (3) M6 × 14 screws (AA). Do not fully tighten at this time.
3. Attach one (1) coupler (D) to each leg (C), aligning the coupler with the pre-drilled holes.
4. On the corner legs (C-1 and C-4), insert the first screw of each coupler together with the adjustment tool bar (V), ensuring proper alignment for later assembly steps (Step 7).
5. Secure each coupler (D) using four (4) M6 × 14 screws (AA).





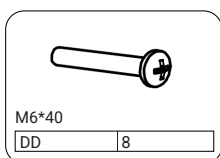
STEP 3 – Install Stove Tub and Locking Components

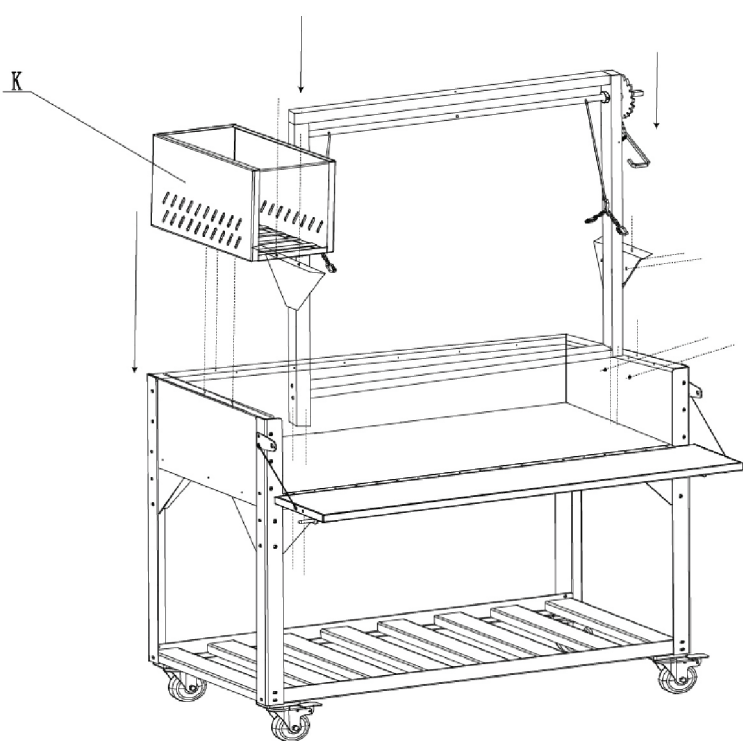
1. Before installing the stove tub (B), remove the locking plates (A) and steel wire rope (H) from the frame. Set them aside for reinstallation.
2. Position the stove tub (B) above the frame and carefully lower it onto the four (4) legs (C), ensuring the mounting holes align at all four corners.
3. Secure the stove tub (B) at each corner using six (6) M6 × 14 screws (AA).
4. On the corner legs (C-1 and C-4), install the final screw together with the tool bar (V) as required for proper alignment.
5. Once the stove tub is fully installed and aligned, fully tighten all screws previously installed in Steps 2 and 3.
6. Reinstall the locking plates (A) and steel wire rope (H).
7. Secure each locking plate (A) using two (2) M6 × 14 screws (AA).
8. Once all parts are aligned, fully tighten all the screws from Step 2



STEP 4 – Install Axle System, Beams, and Gear Assembly

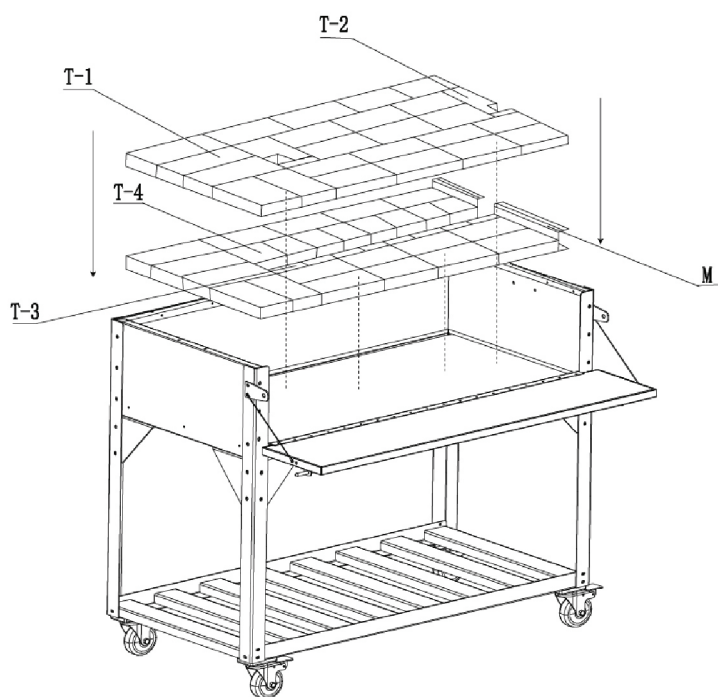
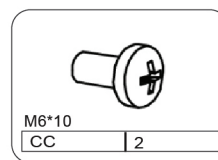
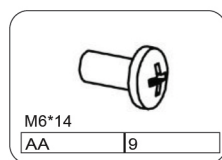
1. Insert the axle system (O) through the mounting holes in the left post (L-1) and right post (L-3), ensuring the axle is properly seated and level within both posts.
2. Install the top beam (L-2) and bottom beam (L-4) as shown in the diagram, aligning them with the posts on both sides.
3. Secure each beam using four (4) M6 × 40 screws (DD) per side. Do not fully tighten at this stage to allow for final alignment.
4. Slide the gear (U) onto the axle system (O) through the side opening, positioning it as shown.
5. Secure the gear in place using the axle fastener (P).
6. Once the axle, beams, and gear are properly aligned, fully tighten all M6 × 40 screws (DD).





STEP 5 – Install Frame Assembly and Fire Box

1. Position the assembled frame components from Step 4 onto the stove tub (B), aligning them with the fire brick base as shown.
2. Secure the assembly using the following hardware:
 - Install four (4) M6 × 14 screws (AA) into the right post (L-3).
 - Install two (2) M6 × 10 screws (CC) beneath the stove tub (B), aligned with the lower section of the left post (L-1).
3. Attach the fire box (K) to the left post (L-1) using five (5) M6 × 14 screws (AA).
4. Once all components are properly aligned, fully tighten all fasteners installed in this step.



STEP 6 – Install Fire Bricks

1. Place the underlayer fire bricks (T) directly into the stove tub (B), arranging them according to the layout shown in the diagram. Ensure all bricks are properly oriented and seated flat.
2. Install the gap filler (M) along the side of the underlayer fire bricks as shown, making sure it fits securely and sits flush against the bricks.
3. Place the top-layer fire bricks (T) on top of the underlayer, following the layout shown. Confirm that all bricks are evenly aligned and sit flat within the tub.

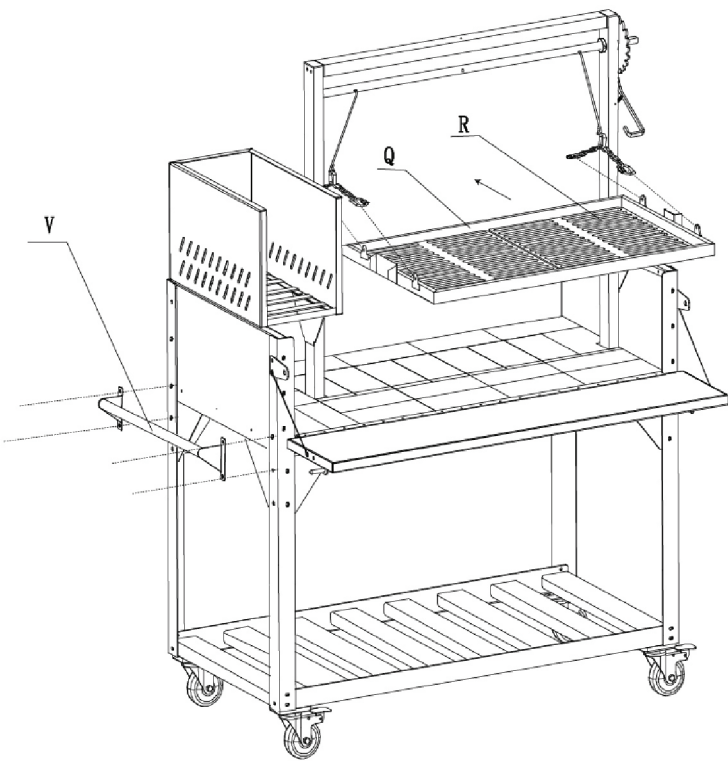
T-1	T-1	T-1	T-1	T-1	T-1
T-1	T-2	T-1	T-1	T-1	T-2
T-1	T-3	T-1	T-1	T-1	T-3
T-1	T-1	T-1	T-1	T-1	T-1
T-1	T-1	T-1	T-1	T-1	T-1

Top Fire Brick Layout

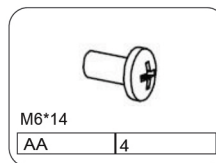
T-1	T-1	T-1	T-1	T-1	T-1
T-1	T-4	T-4	T-4	T-4	T-4
T-1	T-3	T-3	T-3	T-3	T-3
T-1	T-1	T-1	T-1	T-1	T-1
T-1	T-1	T-1	T-1	T-1	T-1

Bottom Fire Brick Layout

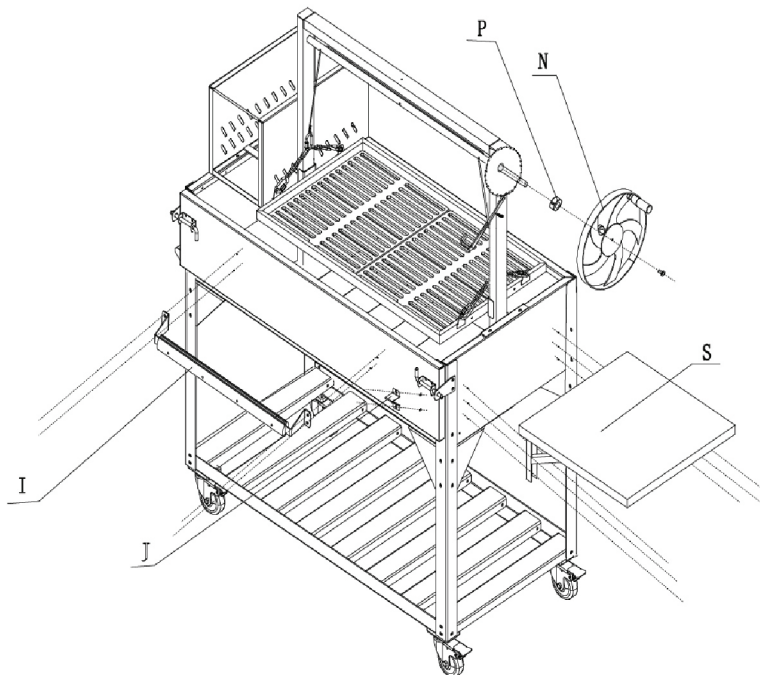
STEP 7 - Install Cooking Grill, Chain, and Tool Bar



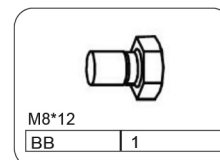
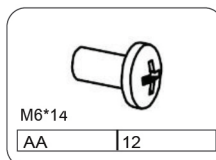
1. Place the cooking grill (R) onto the grill frame (Q), ensuring it is properly seated as shown in the diagram.
2. Connect the grill frame (Q) to the axle system (O) using the stainless-steel chain, confirming smooth movement of the grill frame.
3. Attach the tool bar (V) to the frame using four (4) M6 × 14 screws (AA).
4. Verify that the grill frame moves freely and that all installed components are securely fastened.



STEP 8 – Install Flywheel and Accessories



1. Attach the flywheel (N) to the gear (U) and secure it using one (1) M8 × 12 screw (BB). Ensure the flywheel rotates smoothly once installed.
2. Install the side shelf (S) on the designated side of the grill using six (6) M6 × 14 screws (AA).
3. Attach the bottle opener (J) using two (2) M6 × 14 screws (AA).
4. Attach the wooden handle (I) using four (4) M6 × 14 screws (AA).
5. Verify that all accessories are securely fastened and that moving components





WARRANTY

LIMITED WARRANTY

KoolMore Supply Inc. extends a limited warranty to the original purchaser, guaranteeing that this KoolMore product is free from manufacturing defects in material or workmanship for one year from the date of purchase.

Should you discover any such defect within the warranty period, KoolMore Supply Inc. reserves the right to repair or replace the product without charge, or to cover the cost of replacement parts and repair labor needed to correct defects present at the time of purchase or resulting from regular usage, when the appliance has been installed, operated, and maintained as per the instructions provided.

At its sole discretion, KoolMore Supply Inc. may decide to replace the product. In such an event, your replacement appliance will carry the warranty for the remaining term of the original unit's warranty period.

This warranty is valid exclusively to the original purchaser of the product and only applicable within the United States. The warranty commences from the date of original consumer purchase. Proof of the original purchase date will be required to obtain service under this warranty.

Under this limited warranty, your sole and exclusive remedy will be product repair, as outlined above. All services must be provided by a KoolMore designated service company.

To claim warranty or request repair service:

Email support@koolmore.com. Please include your name, address, phone number, warranty repair request, and a copy of your proof of purchase receipt. Alternatively, visit koolmore.com and use the Contact Us page. A KoolMore customer service representative will promptly arrange service for your appliance.

We thank you for choosing KoolMore.

WARRANTY EXCLUSIONS

This limited warranty will not cover:

1. Failure of the product to perform during power failures or interruptions, or due to inadequate electrical service.
2. Damage incurred during transportation or handling.
3. Damage caused by accidents, vermin, lightning, winds, fire, floods, or acts of God.
4. Damage resulting from accidents, alterations, misuse, abuse, improper installation, repair, or maintenance. This includes using any external device that alters or converts the voltage or frequency of electricity.
5. Unauthorized product modifications, repairs by unauthorized centers, or use of non-approved replacement parts.
6. Abnormal cleaning and maintenance not aligned with the user's manual.
7. Use of incompatible accessories or components.
8. Any costs associated with repairs or replacements under these excluded circumstances shall be the responsibility of the consumer.

KoolMore