



# SPEC SHEET

## 54 In. Argentine Charcoal Grill with Interchangeable V-Grates, Outdoor BBQ, in Black

Model: KM-OG-AV-54

### FEATURES

- **Argentine Open-Fire Design with Separate Firebox:** Dedicated side firebox allows you to burn wood or charcoal independently and transfer embers into the main grill tub for controlled, authentic asado-style cooking.
- **379 Sq. In. Cooking Surface:** Expanded 27.55" x 13.77" grilling area provides generous capacity for larger cuts of meat and entertaining bigger groups.
- **Interchangeable Dual Grate System:** Includes both traditional round stainless steel grates and V-shaped grates that can be swapped out depending on your cooking preference.
- **V-Shaped 304 Stainless Steel Grates (0.2" Thick):** Channel grease away from direct flames to reduce flare-ups while enhancing natural basting for juicier results.
- **Adjustable Height Grilling System (17.7" Range):** Side-mounted wheel allows precise control of cooking distance from the fire for searing or slow roasting.
- **17 Refractory Fire Bricks for Heat Retention:** Firebrick lining enhances temperature stability and ensures even heat distribution.
- **High-Capacity Firebox System:** Supports up to 8.8 lbs. of charcoal or 6.6 lbs. of wood to create consistent embers for extended cooking sessions.
- **4 Integrated Meat Hanging Hooks:** Ideal for suspending ribs, sausages, or large cuts for authentic vertical cooking and even heat exposure.



### CLOSE UP IMAGES



# Technical Specs

## Dimensions & Weight

Length	54.72
Width	18.5
Height	59.45
Weight lbs.	150
Interior Height	6.69
Interior Depth	21.65
Interior Width	54.7

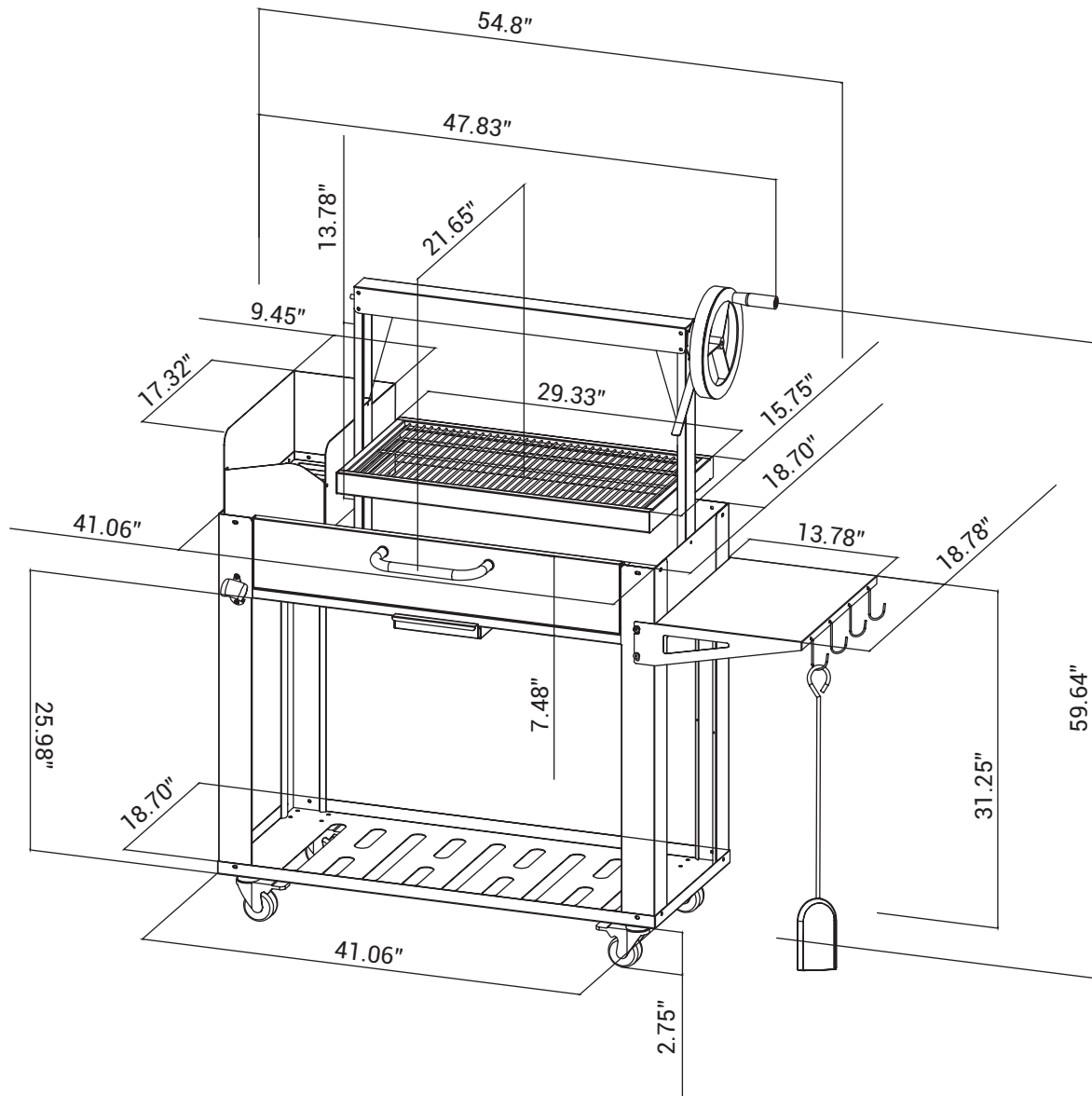
## Certifications

Certifications	FDA Compliant
----------------	---------------

## Features & Materials

Grill Style	Argentine Parrilla
Fuel Type	Charcoal or Wood
Color	Black
Cooking Area Sq. In.	433
Fire Bricks	Yes
Grates Type	V-Grates or Standard
Grate Material	Stainless Steel 304
Assembly Required	Yes
Exterior Material	Painted Steel and Stainless Steel 304
Steel Gauge	16-gauge
Side Firebox	Yes
Fire Box Depth	9.44
Fire Box Width	17.32
Fuel Capacity	8.8 lbs. Charcoal or 6.6 lbs. Wood
Number of Burners	0
Grill Lid	No
Adjustable Grate	Yes
Adjustable Height	17.7 in.
Number of Shelves	1
Shelf Style	Folding
Accessories Included	Shovel, 4 Hooks
Storage Rack	Yes
Grease Tray	Yes
Weather Cover Included	Yes
Pull-Out Ash Tray	No
Casters	4
Thermometer	No

# Plan View



718-576-6342  
info@koolmore.com