



SPEC SHEET

54 In. Argentine Charcoal Grill, Adjustable Grate Outdoor BBQ, in Black

Model: KM-OG-A-54

FEATURES

- **Argentine Open-Fire Design with Separate Firebox:** Dedicated side firebox allows you to burn wood or charcoal independently and transfer embers into the main grill tub for controlled, authentic asado-style cooking.
- **379 Sq. In. Cooking Surface:** Expanded 27.55" x 13.77" grilling area provides generous capacity for larger cuts of meat and entertaining bigger groups.
- **16-Gauge Stainless Steel & Painted Steel Construction:** Built for structural stability and long-term outdoor performance under high heat conditions.
- **Adjustable Height Grilling System (15.7" Range):** Side-mounted wheel allows precise control of cooking distance from the fire for searing or slow roasting.
- **17 Refractory Fire Bricks for Heat Retention:** Firebrick lining enhances temperature stability and ensures even heat distribution.
- **High-Capacity Firebox System:** Supports up to 8.8 lbs. of charcoal or 6.6 lbs. of wood to create consistent embers for extended cooking sessions.
- **4 Integrated Meat Hanging Hooks:** Ideal for suspending ribs, sausages, or large cuts for authentic vertical cooking and even heat exposure.



CLOSE UP IMAGES



Technical Specs

Dimensions & Weight

Length	54.72
Width	18.5
Height	59.45
Weight lbs.	139
Interior Height	6.69
Interior Depth	21.65
Interior Width	54.7

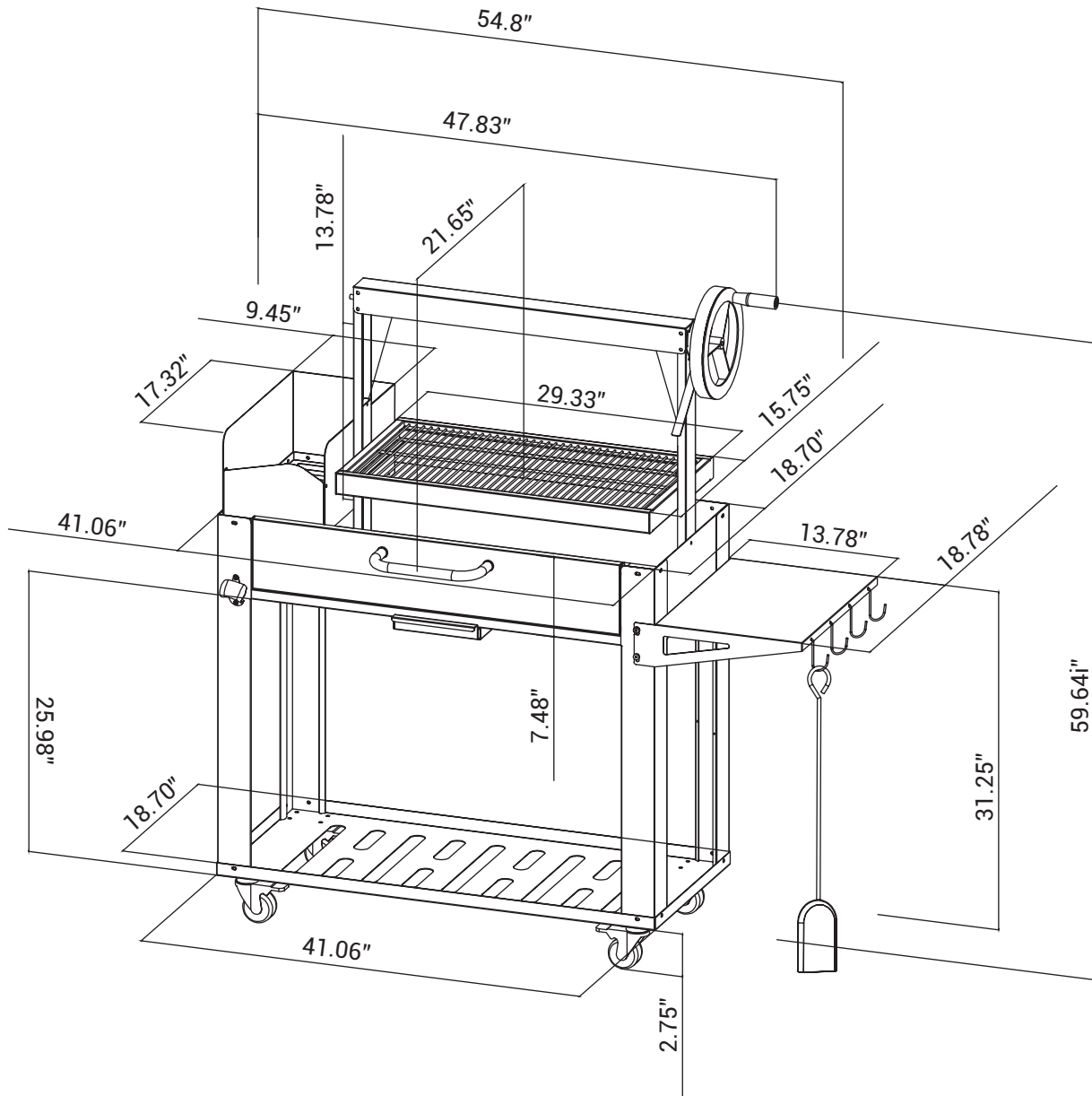
Certifications

Certifications	FDA Compliant
----------------	---------------

Features & Materials

Grill Style	Argentine Parrilla
Fuel Type	Charcoal or Wood
Color	Black
Cooking Area Sq. In.	379
Fire Bricks	Yes
Grates Type	Standard
Grate Material	Stainless Steel 304
Assembly Required	Yes
Exterior Material	Painted Steel and Stainless Steel 304
Steel Gauge	16-gauge
Side Firebox	Yes
Fire Box Depth	9.44
Fire Box Width	17.32
Fuel Capacity	8.8 lbs. Charcoal or 6.6 lbs. Wood
Number of Burners	0
Grill Lid	No
Adjustable Grate	Yes
Adjustable Height	17.7 in.
Number of Shelves	1
Shelf Style	Folding
Accessories Included	Shovel, 4 Hooks
Storage Rack	Yes
Grease Tray	Yes
Weather Cover Included	Yes
Pull-Out Ash Tray	No
Casters	4
Thermometer	No

Plan View



718-576-6342
info@koolmore.com