

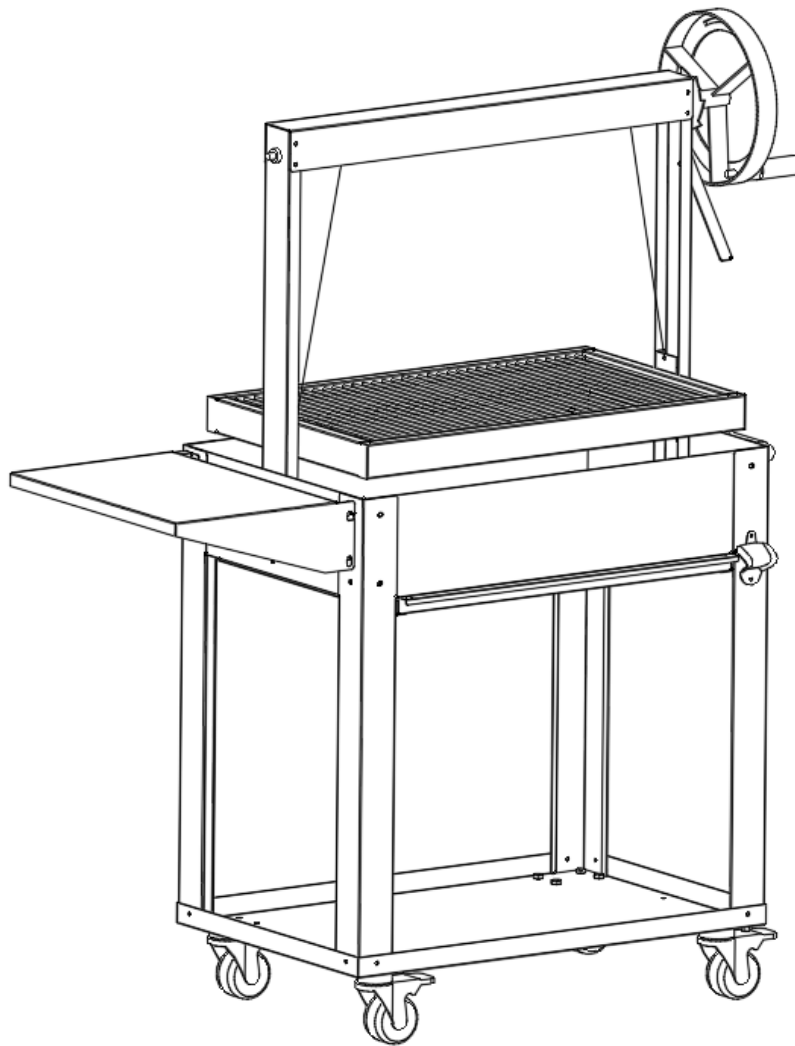


INSTALLATION MANUAL

ARGENTINIAN BBQ GRILL

Argentinian BBQ Grill

Models: KM-OG-A-45, KM-OG-AV-45, KM-OG-A-45-VGrates



KM-OG-A-45

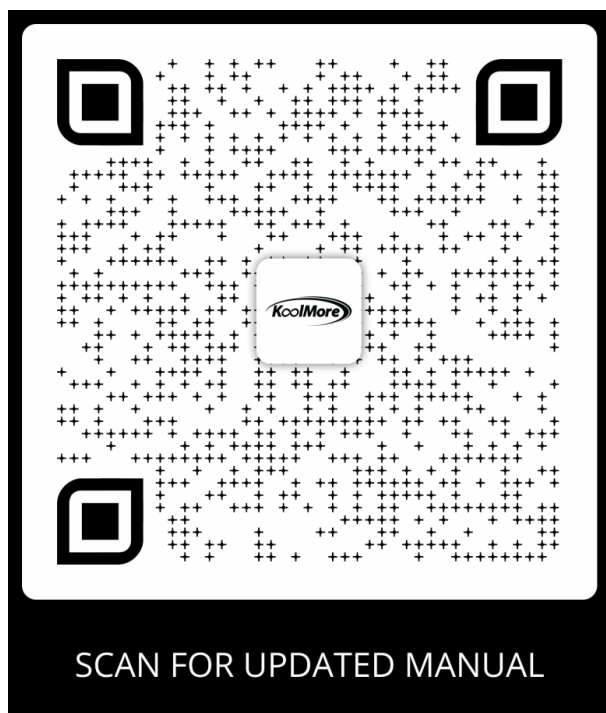
Please read these installation instructions carefully to ensure the appliance is installed correctly and operates safely.

For any service related issues, please contact us:

☎ 718-576-6342 ✉ support@koolmore.com

Stay informed with the latest information for your KoolMore Appliance.

Scan the QR code below to access the most recent Installation Manual on our website, which is constantly being updated and improved.



If you need any assistance or have questions, our customer support team is here to help.

Phone- 718-576-6342 Email- support@koolmore.com

Please write down the model number and serial number below for future reference. Both numbers are located on the rating label on the back of your unit or inside of the unit and are needed to obtain warranty service. You may also want to staple your receipt to this manual as it is your proof of purchase and may also be needed for service under warranty.

Model Number: _____

Serial Number: _____

Date of Purchase: _____

To better serve you, please do the following before contacting customer service:

If you received a damaged product, immediately contact the retailer or dealer that sold you the product.

Read and follow this Installation Manual carefully to help you install, use, and maintain your unit.

Refer to the Troubleshooting section of this manual as it will help you diagnose and solve many common issues.

Contents

Safety	4
Parts	5
Installation	6
V-Grates Installation	12
Operation	17
Warranty	18

Safety

⚠ For Outdoor Use Only

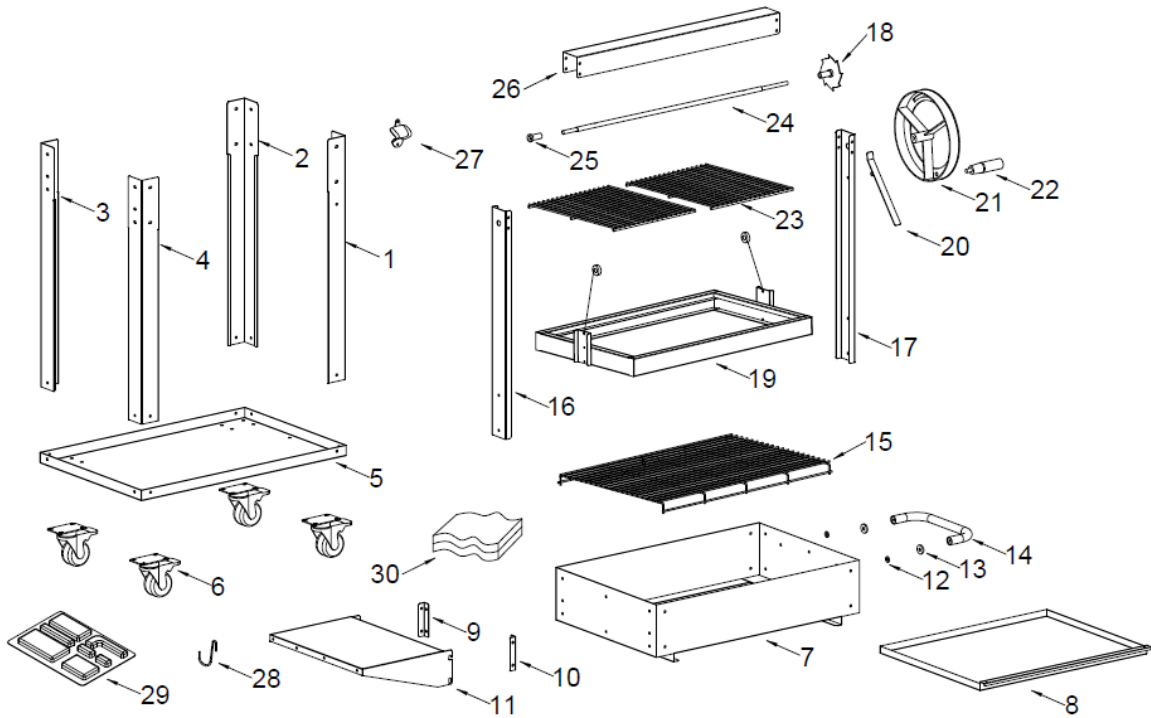
DO NOT operate this appliance before reading this Installation Manual.
DO NOT place articles on or against this appliance.
DO NOT store chemicals or flammable materials or spray aerosols near this appliance.
DO NOT operate the appliance indoors.
DO NOT operate in an enclosed area.

Accessible parts may be very hot. Keep young children or pets away.
Minimum clearances from combustible materials: 9 feet.
Use high-quality charcoal, a charcoal/wood blend, BBQ wood chunks, or lump charcoal.
Retain these instructions for future use.
A Phillips-head screwdriver is needed (not included).

Warning:

Ensure that firewood logs do not exceed the length of the basket. Do not load more than 6.6 lbs. of charcoal or wood logs.

Parts



Parts List

A 16x M8x12	B 33x M5x10	C 1x M4*20	D 2x M5x14
E 7x M6x14	F 2x M4x35	G 1x φ8xM6x25	H 4x 8xM6x8
I 16x M8	J 35x M5	K 9x M6	L 3x M4
M 1x M10	N 1x M10	<i>Please use the correct screw/nuts as per the labels A, B, C... etc. on the bags.</i>	

- | | |
|--------------------------------|----------------------------|
| 1. Leg (FR) | 16. Supporting Bracket (L) |
| 2. Leg (BR) | 17. Supporting Bracket (R) |
| 3. Leg (BL) | 18. Hand Wheel Gear |
| 4. Leg (FL) | 19. Grill Frame |
| 5. Bottom Tray | 20. Brake Handle |
| 6. Caster 4pcs | 21. Hand Wheel |
| 7. Stove Tub | 22. Wheel Handle |
| 8. Ash Tray | 23. Cooking Grill 2pcs |
| 9. Side Shelf Bracket (Back) | 24. Axle |
| 10. Side Shelf Bracket (Front) | 25. Coupler |
| 11. Side Shelf | 26. Axle Cover |
| 12. Washer for Handle 2pcs | 27. Bottle Opener |
| 13. Handle Cap 2pcs | 28. Small Hook 4pcs |
| 14. Handle | 29. Screws Blister |
| 15. Charcoal Grate | 30. BBQ Cover |

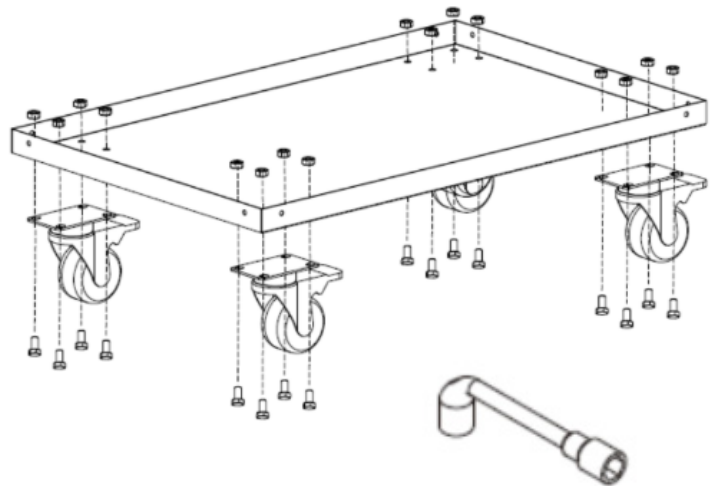
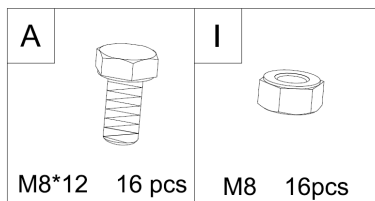
Tools Required for Assembly

1	Phillips screwdriver (Not included)		3	Outer Hexagon Wrench	
2	Wrench (Not included)		4	Hex Wrench	

Installation

Step 1: Install 4 pcs Caster (6), each caster uses 4 pcs M8 screw bolts (A) and 4 pcs M8 nuts (I), lock the caster before screwing it into the Bottom Tray (5).

Use the included wrench to fasten the M8 screws.

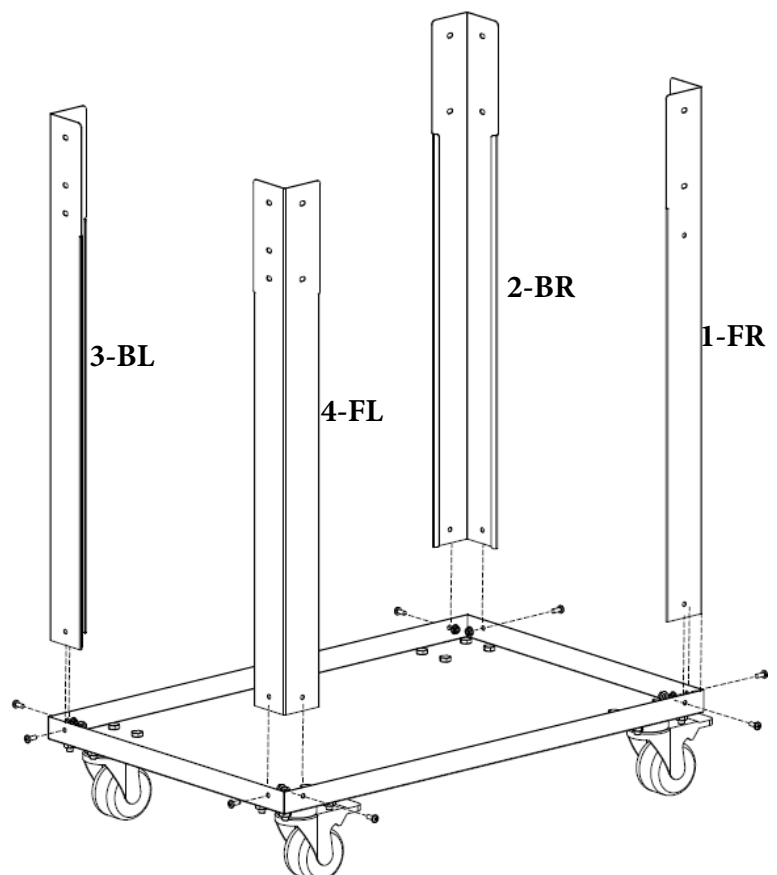
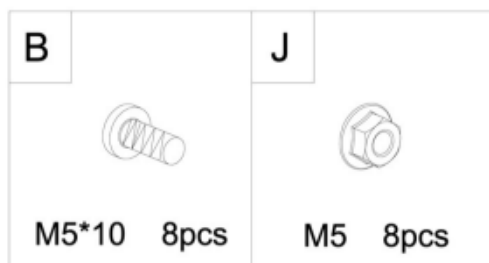


Outer Hexagon Wrench

Do not fully tighten the screws and nuts until the BBQ grill is fully assembled.

Step 2: Install 4 pcs Leg (1-4) on the Bottom Tray (5). All 4 legs are different, they are marked as FR (1), BR (2), BL (3), FL (4), make sure they are installed correctly, as shown in the illustration.




Each leg uses 2 pcs M5 screws (B) and 2 pcs M5 nuts (J)

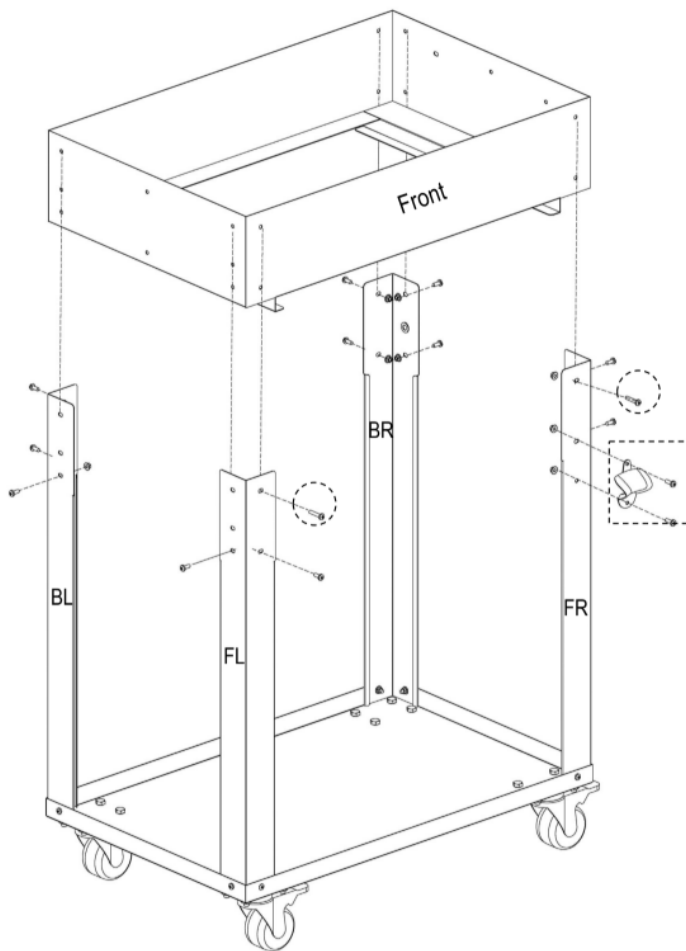


Step 3: Assemble the Stove Tub (7) with 4 legs, make sure the front side of the tub faces forward.

All screws are M5*10 (B) and M5 nut (J).

The bottle opener (27) uses M5*14 (D) and is installed on the FR leg.

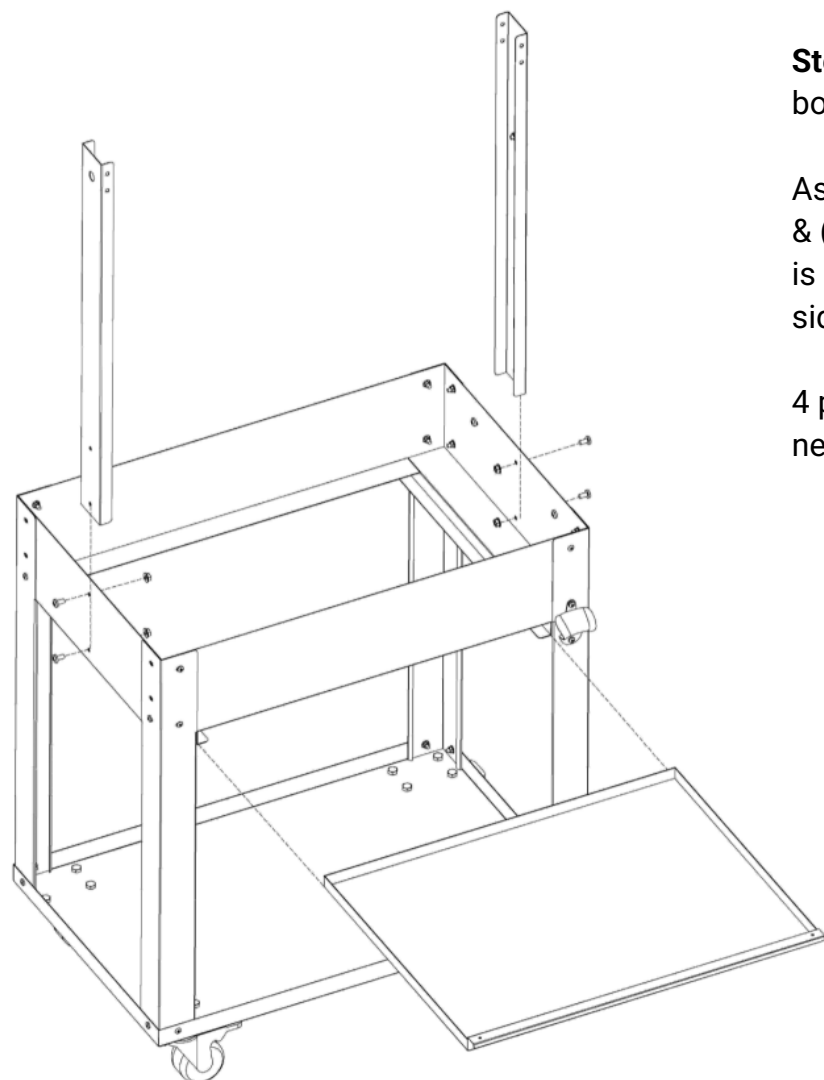
B	D	J
		
M5*10 13pcs	M5*14 2pcs	M5 15pcs





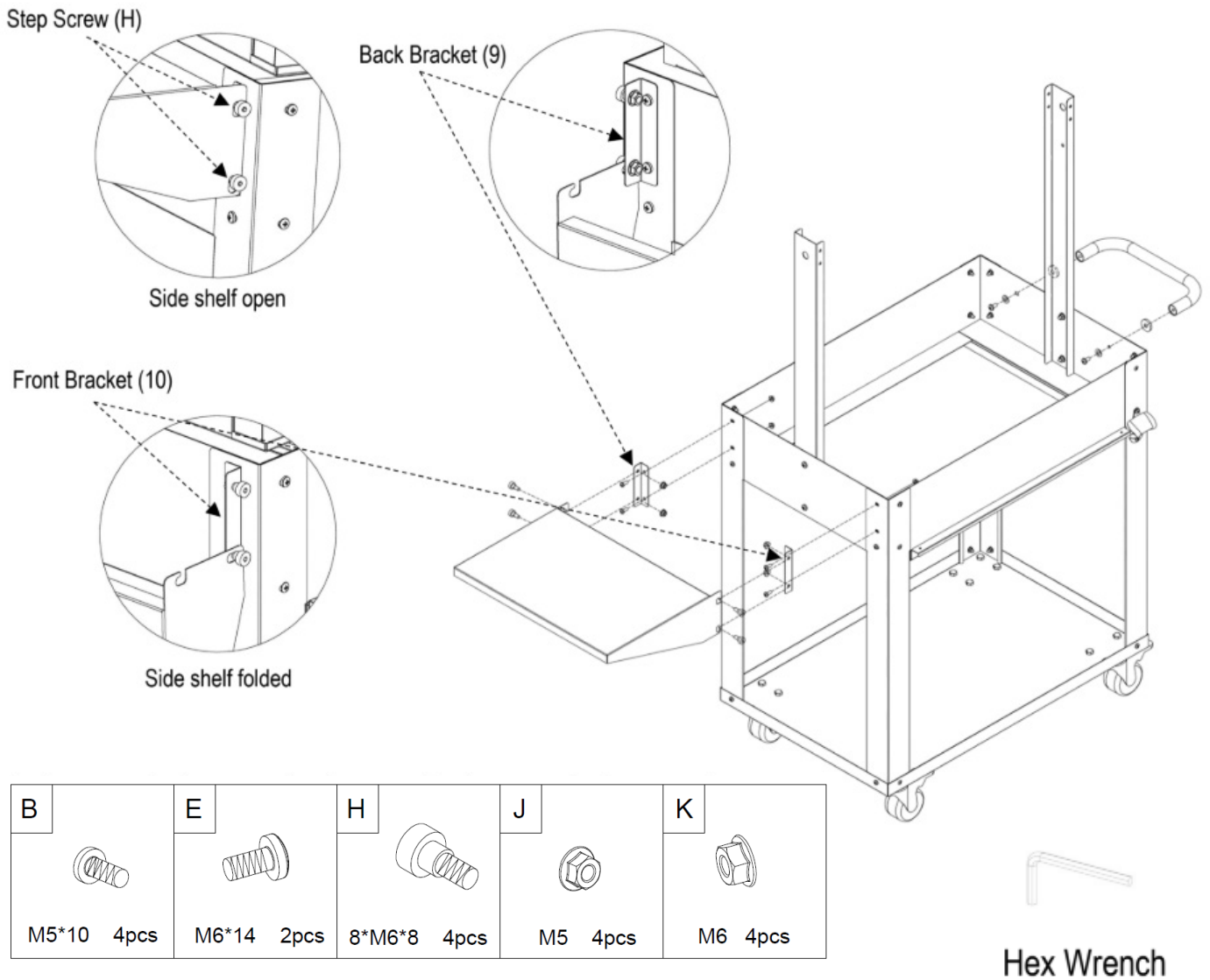
Step 4: Insert the Ash Tray (8) into the bottom of the stove tub.

Assemble 2 pcs Supporting Brackets (16) & (17) on the stove tub, make sure (16) is on the left side, and (17) is on the right side, they are labeled as 16 and 17.

4 pcs M6*14 (E) screws & M6 nuts (K) are needed.



E	K
	
M6*14 4pcs	M6 4pcs



Step 5: The Side Shelf (11) is connected with the stove by two L-shaped brackets (9) & (10), install the brackets on the tub by using 4 pcs M5*10 screws (B) and 4 pcs M5 nuts (J). Ensure bracket (9) is installed at the rear and bracket (10) at the front.

Each bracket also needs 2 pcs M6*8 step screws (H), one on the top and the other one on the bottom, the bottom one needs to be installed on the hole of the side shelf, so as to connect the bracket with the side shelf. The same for the other side.

Using hex wrench to fasten the step screws (H) which is included in the package.

Install Handle (14) on the right side of the stove tub with screws M6 * 14 (E) * (E) is pre-assembled, please use Washers (12) & Caps (13) as per the above picture.

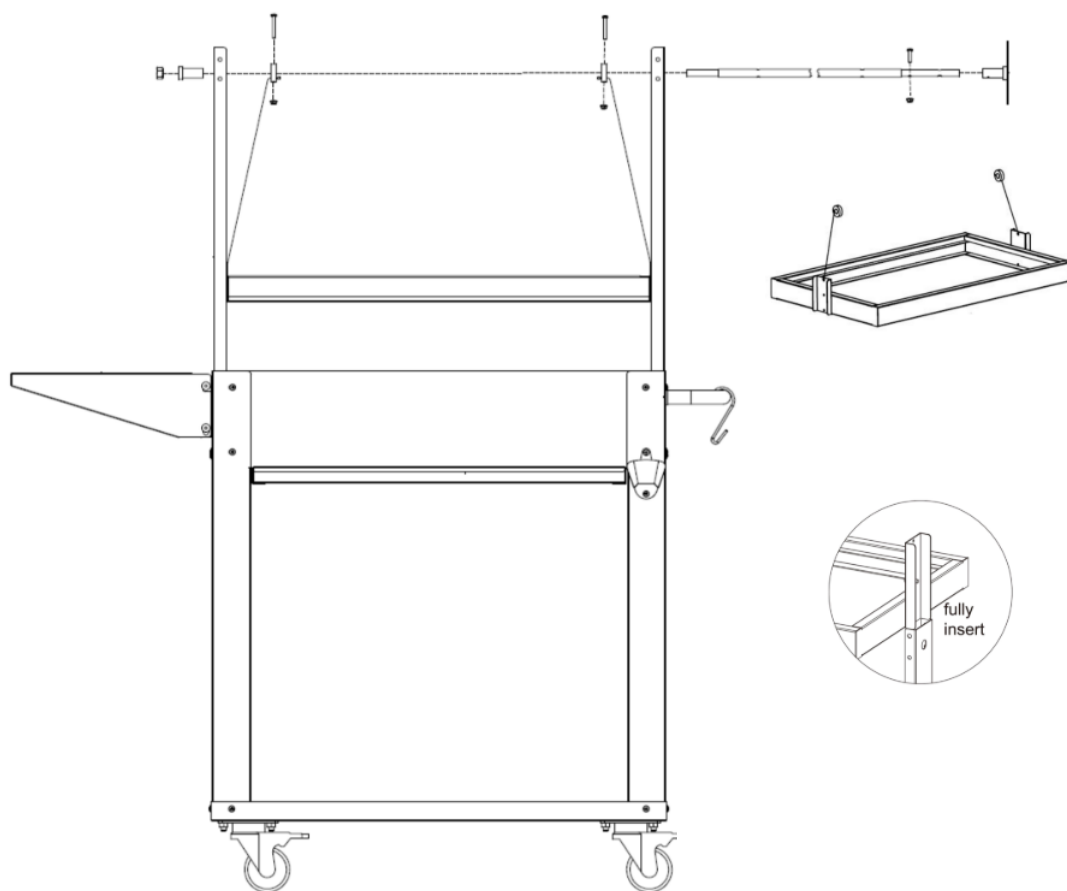
Step 6: When placing the Grill Frame (19) in the stove tub, make sure the two sliding brackets (with cables) sit into the slots of the two supporting brackets.




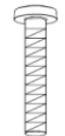
Put the stainless steel Axle (24) into the right support bracket (17), then hold the ring on the cable, put the axle through the ring, same for the other ring on the left cable, with 2 rings are all on the axle, then put the axle into the hole on the left supporting bracket (16).

Insert the Connector Coupler (25) into the hole on the left supporting bracket from outside, then secure and fix the coupler by using the big M10 nut (M)(M is pre-assembled).

Insert the Hand Wheel Gear (18) into the hole on the right supporting bracket from outside, then secure and fix by M4x20 screws (C) and M4 nut (L)(C& L are pre-assembled).

Check that the grill frame hangs evenly from both cables then fix & secure the two rings on the axle by using M4*35 screws (F) & M4 nuts (L) (F & L are pre-assembled).



F		L		M		C	
	M4*35 2pcs		M4 3pcs		M10 1pcs		M4*20 1pcs

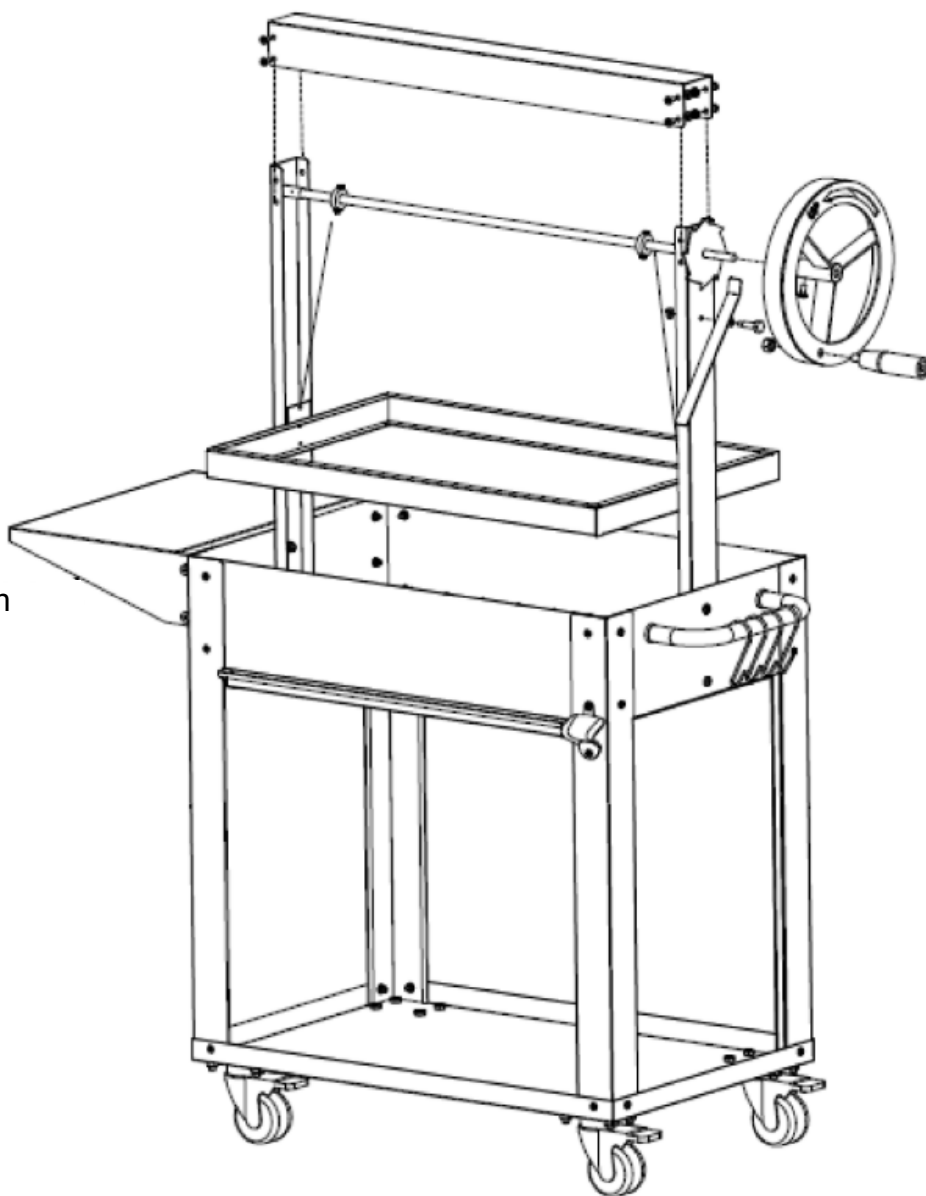
Note: For models KM-OG-AV-45 and KM-OG-A-45-VGrates refer to page 12 for accessory-specific installation steps.



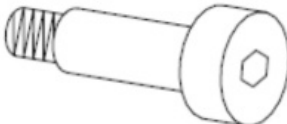


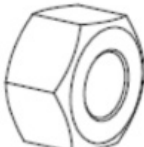
Step 7: Install the Brake Handle (20) on the right supporting bracket (17) by using step screw (G) & nut (K). Make sure the bending of the brake is upward. *(G) & (K) are pre-assembled.

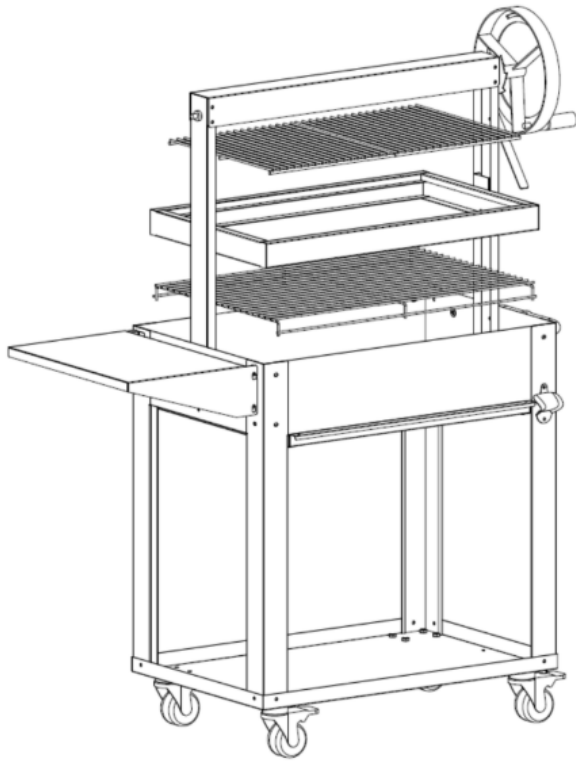
Put the bolt of the Wheel Handle (22) in the hole on the Hand Wheel (21) and secure it by using nut (N). *(N) is pre-assembled.

Assemble the hand wheel on the end of the axle, align the hole on the hand wheel's center shaft with the hole on the axle, then secure hand wheel and the axle by using screw M6*14 (E).

Put the Axle Cover (26) on the two brackets, fix it by using M5 screws (B) & M5 nuts (J).

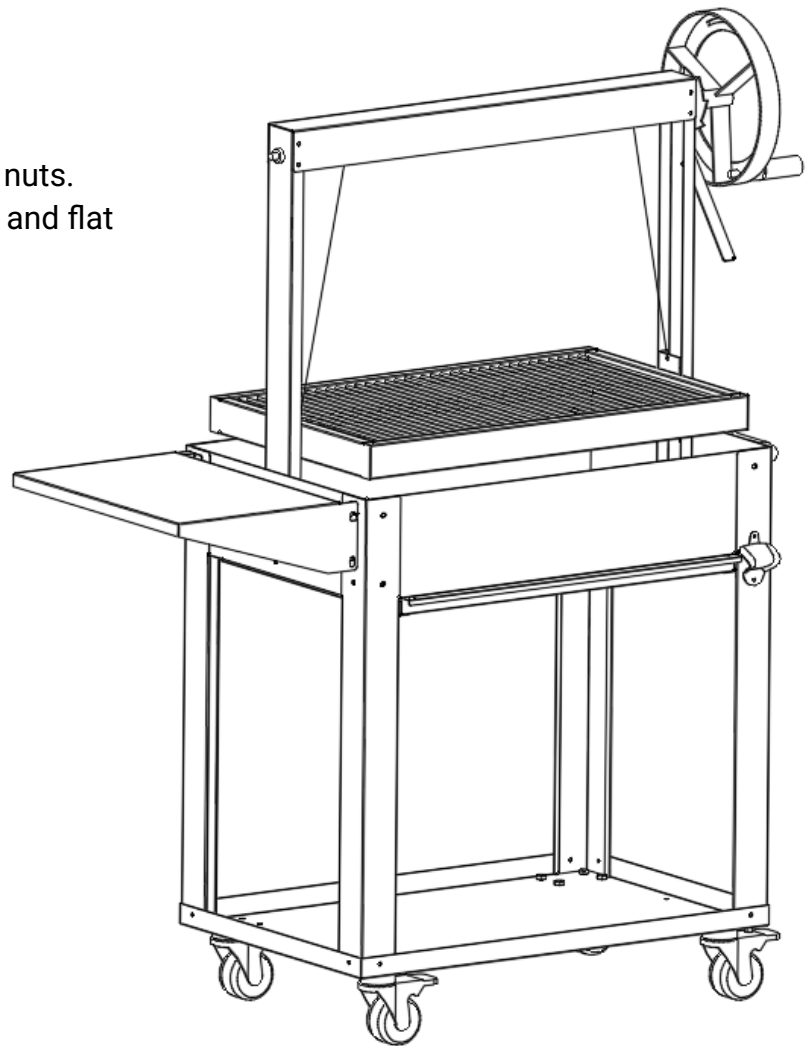


<p>B</p>  <p>M5*10 8pcs</p>	<p>E</p>  <p>M6*14 1pcs</p>	<p>G</p>  <p>φ8*M6*25 1pcs</p>
<p>J</p>  <p>M5 8pcs</p>	<p>K</p>  <p>M6 1pcs</p>	<p>N</p>  <p>M10 1pcs</p>



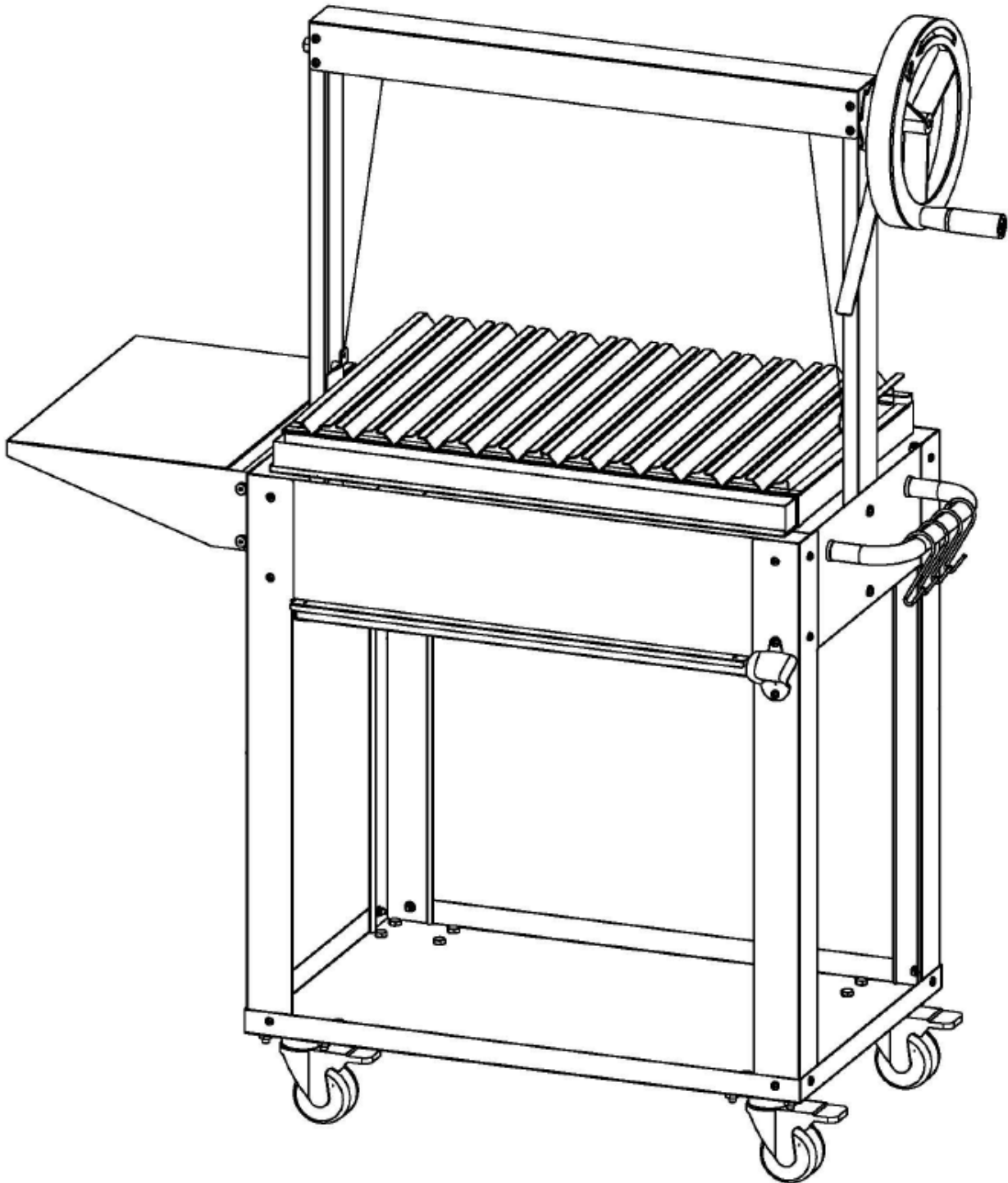
Step 8: Put the Charcoal grate (15) into the stove, Put the stainless steel Cooking Grates (23) on the Grill Frame (19).

Step 9: Fully tighten all of the screws and nuts. Make sure to place the BBQ grill on a firm and flat surface.



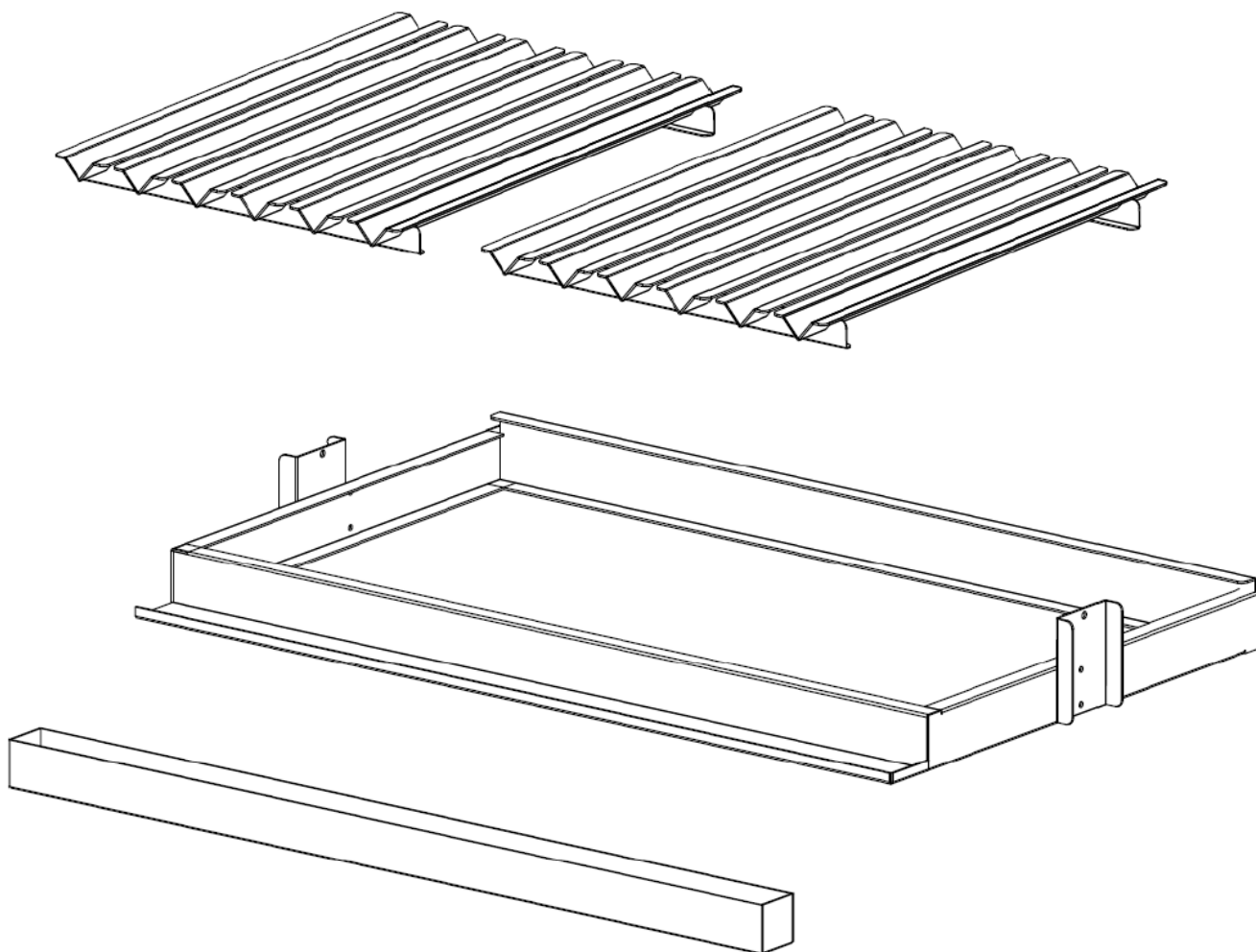
V-Grates Installation

Instructions for V-Shape Grates Assembly for models KM-OG-AV-45 and KM-OG-A-45-VGrates. For model KM-OG-AV-45 start at Step 3.

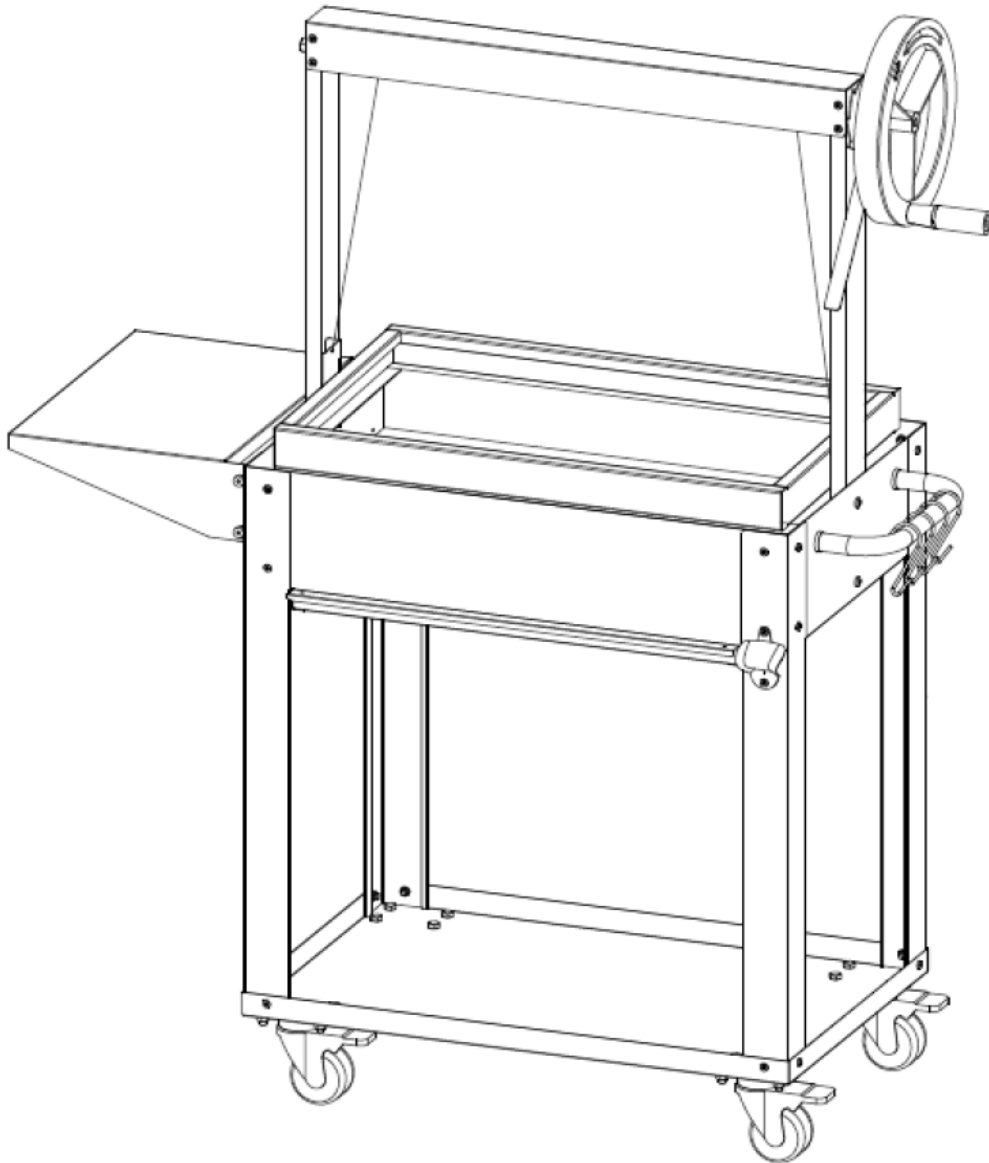
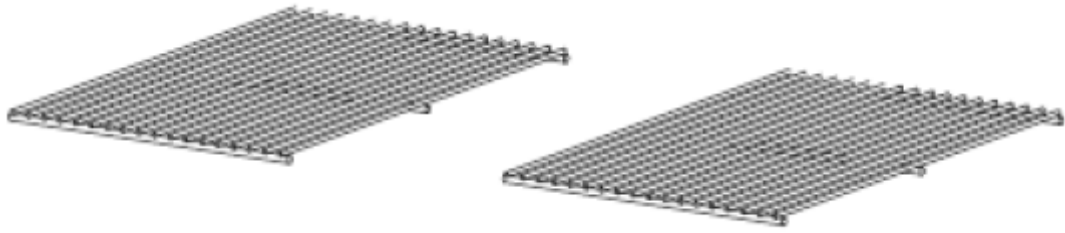


Part List

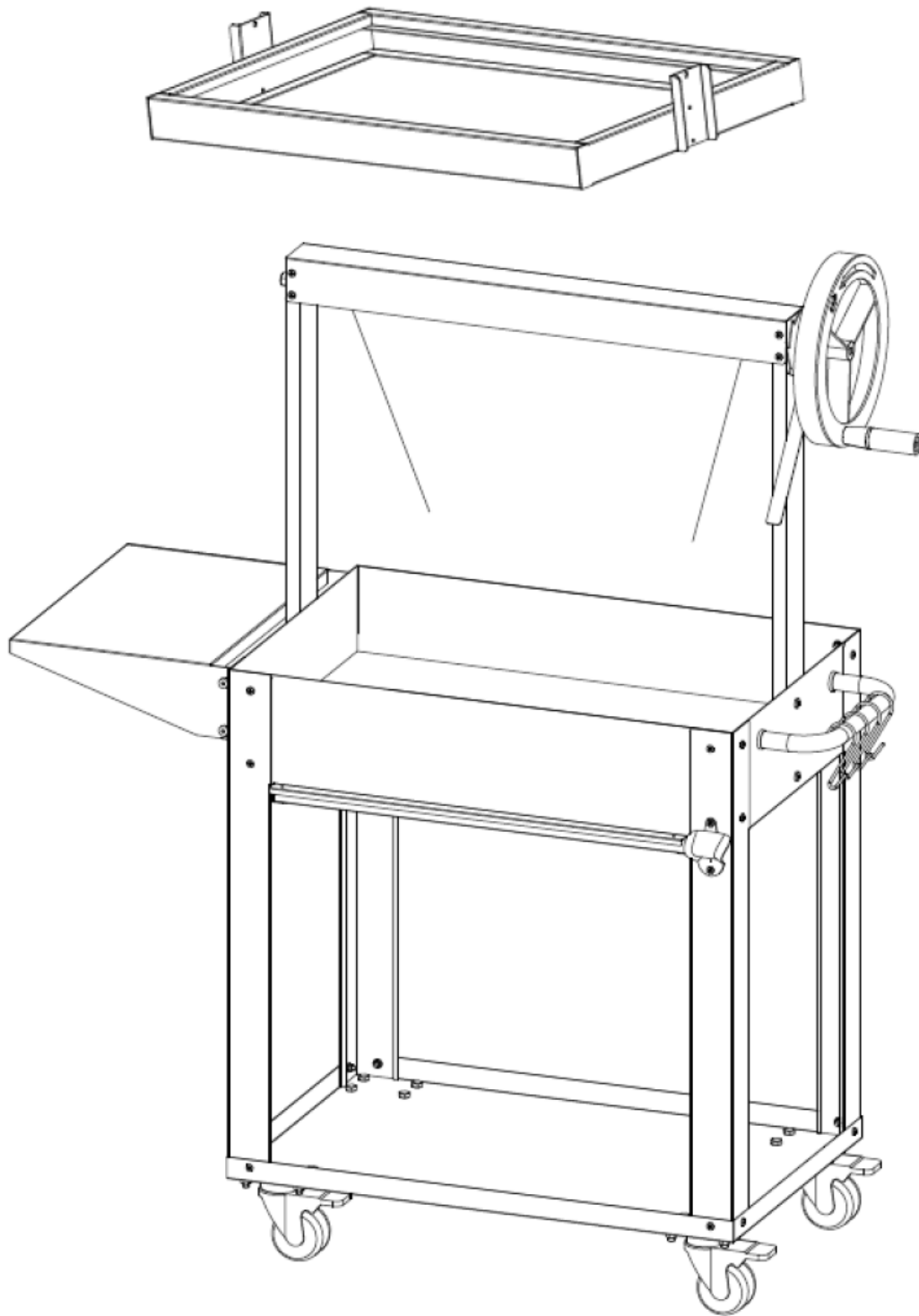
1. V-shape Cooking Grate 2pcs
2. Grill Frame 1
3. Grease Box 1



Step 1: Lower the grill frame completely, then remove the grill grates.

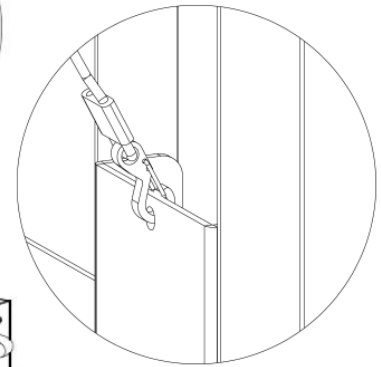
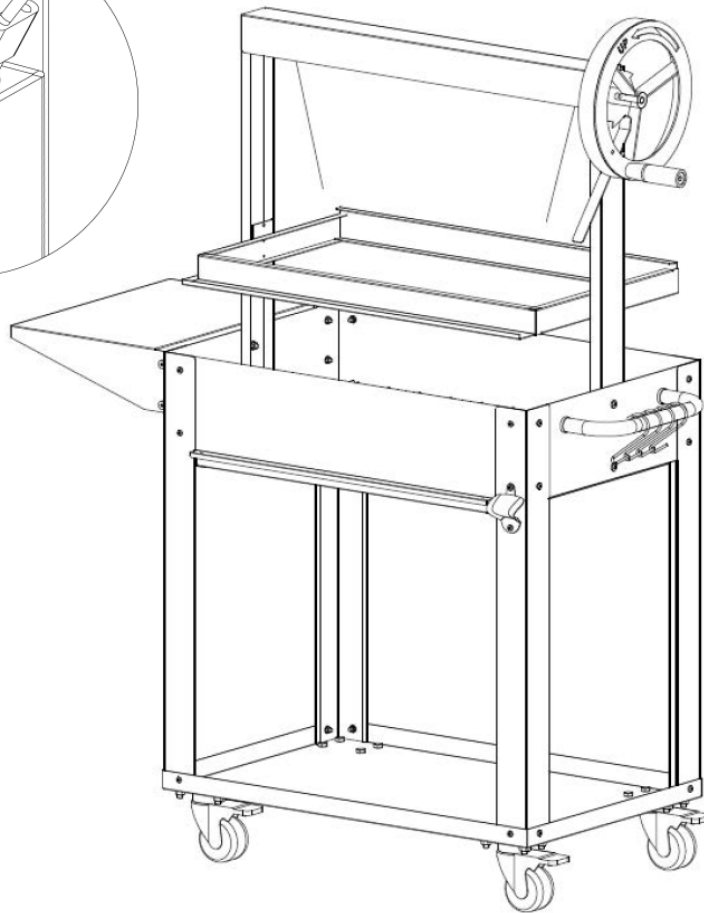


Step 2: Detach the cable hooks from both sides of the grill frame, then lift the grill frame out at an angle.





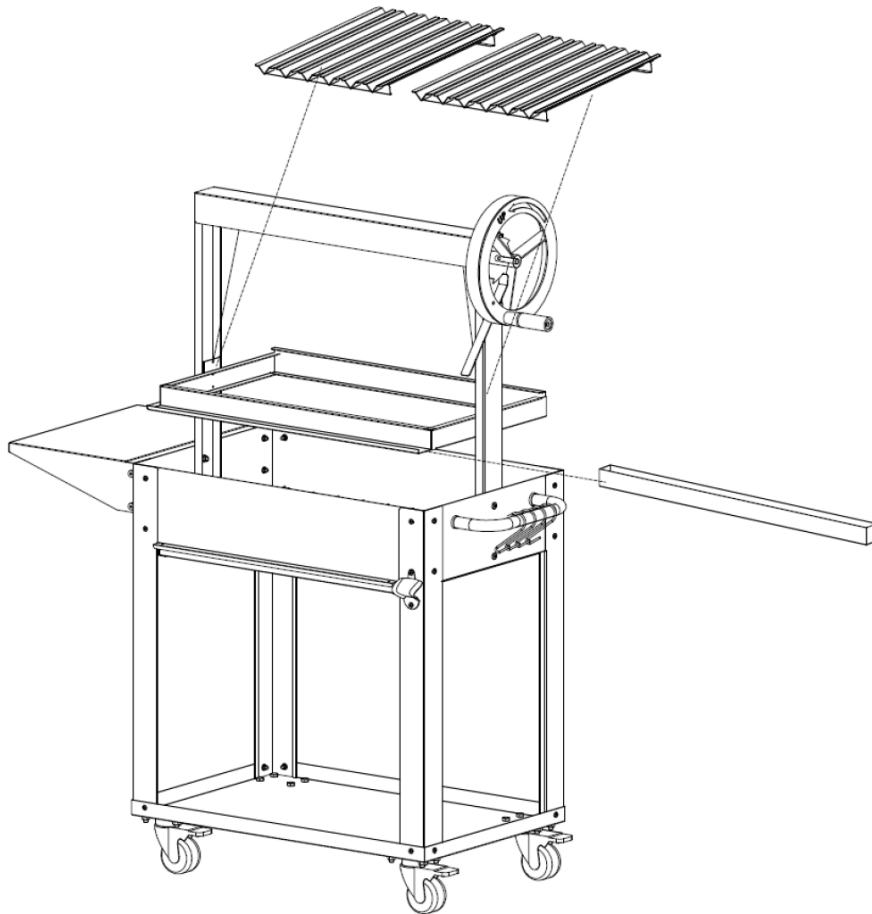
Left hook



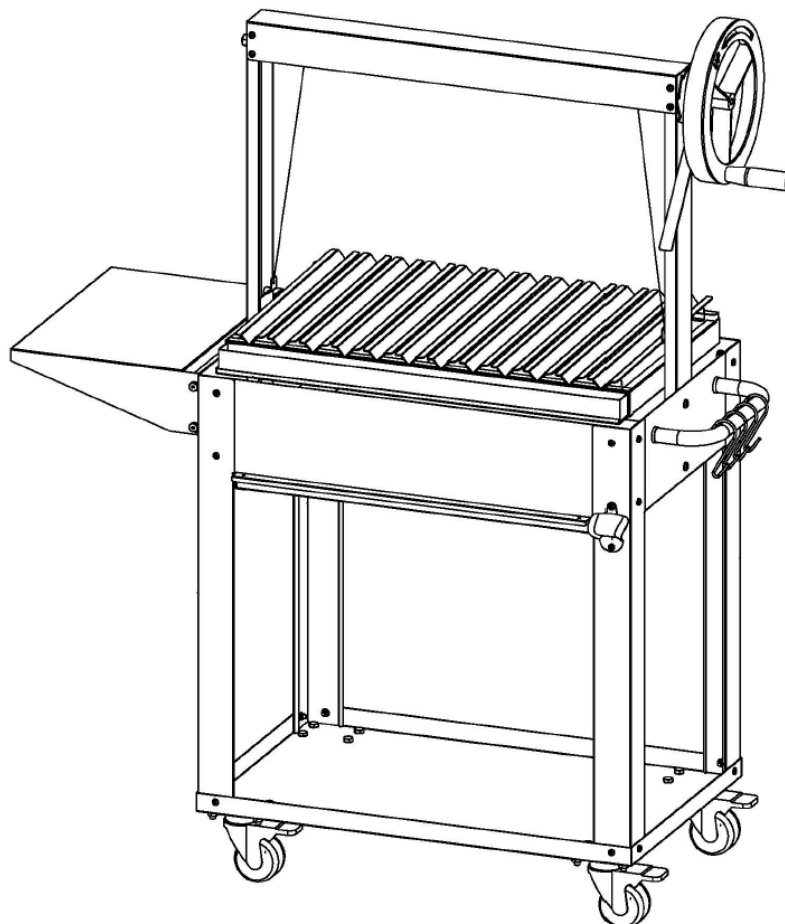
Right hook

Step 3: Insert the V-Grate frame into the stove tub at an angle. Ensure both sliding brackets are fully seated in the supporting brackets. Verify that the fixing screws on both cable rings on the axle are facing downward. Engage the cable hooks into the holes on both sides of the sliding brackets, making sure the cables are not twisted.

Step 4: Install the V-shaped cooking grates and grease box on the grill frame.



Step 5: Ensure the grill is positioned on a firm and flat surface.



Operation

NOTE: It is normal for the coating to discolor or burn off after repeated usage. To properly maintain the grill, remove excess corrosion and apply high temperature resistant coating or paint.

Cleaning

Routinely clean and inspect the grill to extend the product life and maintain safe operating conditions.

To avoid burns: DO NOT attempt to clean the grill until it has properly and completely cooled.

To avoid burns: DO NOT clean the grill while an active fire or smoulder embers are present.

To avoid burns: DO NOT use abrasive chemicals or oven cleaner as this could damage the paint finish.

1. Remove leftover coals and ash using a fire scoop or shovel (or handheld garden shovel).
2. Rinse the fire bowl and drain the water.
3. Wash the exterior surfaces using a mild dish washing detergent. A brush might be required to help scrub some stains.
4. Rinse all surfaces and allow to dry or towel.

Storage

To avoid burns: DO NOT move or store this grill until the fire is out and it has completely cooled.

1. Once the coals are cold (no longer burning or smoldering) and the grill has cooled, remove and properly dispose of the ashes.
2. Move and store the grill in a dry location.
3. Always store the grill in a location out of reach of children and pets.
4. To help maximize the product life, keep the grill stored in a dry location or covered with included PVC cover.

Grilling

Prepare a suitable fire for cooking and position the cooking grid at a desired height.

The grid can adjust as needed to access the fire or to move food away from the fire or heat.



WARRANTY

LIMITED WARRANTY

KoolMore Supply Inc. extends a limited warranty to the original purchaser, guaranteeing that this KoolMore product is free from manufacturing defects in material or workmanship for one year from the date of purchase.

Should you discover any such defect within the warranty period, KoolMore Supply Inc. reserves the right to repair or replace the product without charge, or to cover the cost of replacement parts and repair labor needed to correct defects present at the time of purchase or resulting from regular usage, when the appliance has been installed, operated, and maintained as per the instructions provided.

At its sole discretion, KoolMore Supply Inc. may decide to replace the product. In such an event, your replacement appliance will carry the warranty for the remaining term of the original unit's warranty period.

This warranty is valid exclusively to the original purchaser of the product and only applicable within the United States. The warranty commences from the date of original consumer purchase. Proof of the original purchase date will be required to obtain service under this warranty.

Under this limited warranty, your sole and exclusive remedy will be product repair, as outlined above. All services must be provided by a KoolMore designated service company.

To claim warranty or request repair service:

Email support@koolmore.com. Please include your name, address, phone number, warranty repair request, and a copy of your proof of purchase receipt. Alternatively, visit koolmore.com and use the Contact Us page. A KoolMore customer service representative will promptly arrange service for your appliance.

We thank you for choosing KoolMore.

WARRANTY EXCLUSIONS

This limited warranty will not cover:

1. Failure of the product to perform during power failures or interruptions, or due to inadequate electrical service.
2. Damage incurred during transportation or handling.
3. Damage caused by accidents, vermin, lightning, winds, fire, floods, or acts of God.
4. Damage resulting from accidents, alterations, misuse, abuse, improper installation, repair, or maintenance. This includes using any external device that alters or converts the voltage or frequency of electricity.
5. Unauthorized product modifications, repairs by unauthorized centers, or use of non-approved replacement parts.
6. Abnormal cleaning and maintenance not aligned with the user's manual.
7. Use of incompatible accessories or components.
8. Any costs associated with repairs or replacements under these excluded circumstances shall be the responsibility of the consumer.

KoolMore