

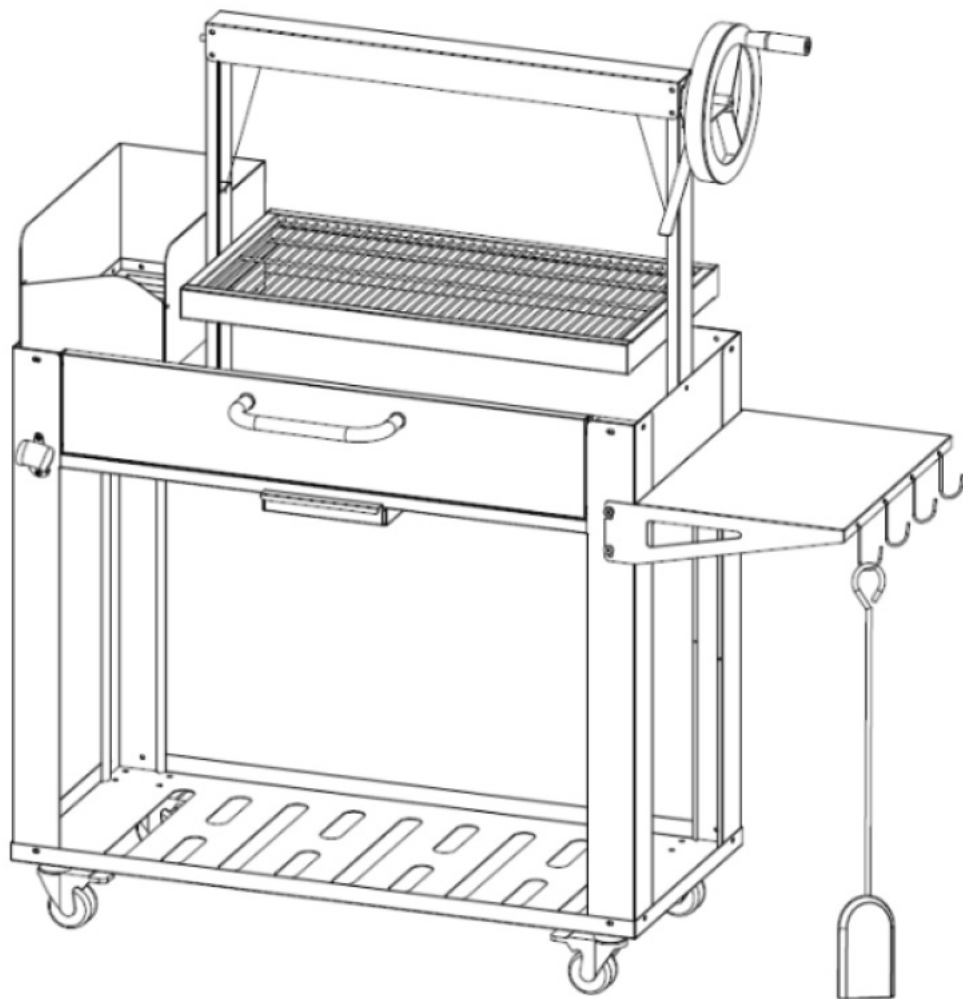


# INSTALLATION MANUAL

## ARGENTINIAN BBQ GRILL

### Argentinian BBQ Grill

Models: KM-OG-A-54, KM-OG-AV-54, KM-OG-A-54-VGrates



KM-OG-A-54

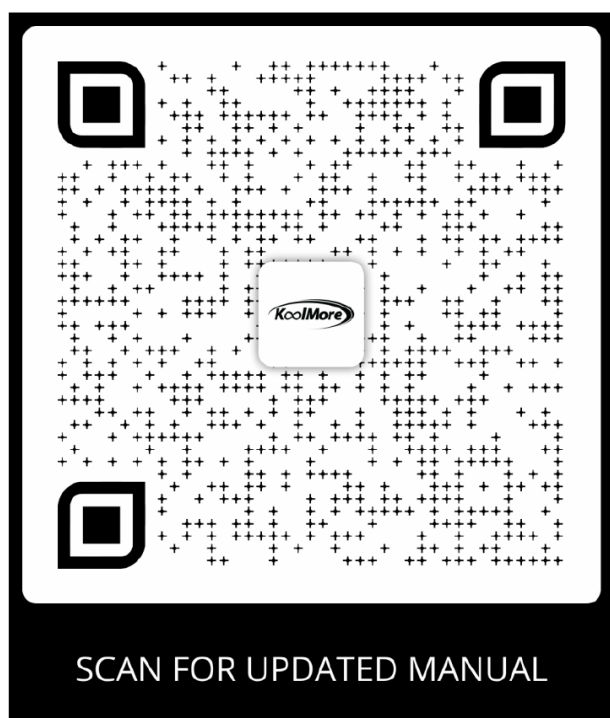
*Please read these installation instructions carefully to ensure the appliance is installed correctly and operates safely.*

For any service related issues, please contact us:

☎ 718-576-6342    ✉ [support@koolmore.com](mailto:support@koolmore.com)

## Stay informed with the latest information for your KoolMore Appliance.

Scan the QR code below to access the most recent Installation Manual on our website, which is constantly being updated and improved.



**If you need any assistance or have questions, our customer support team is here to help.**

**Phone- 718-576-6342 Email- [support@koolmore.com](mailto:support@koolmore.com)**

Please write down the model number and serial number below for future reference. Both numbers are located on the rating label on the back of your unit or inside of the unit and are needed to obtain warranty service. You may also want to staple your receipt to this manual as it is your proof of purchase and may also be needed for service under warranty.

Model Number: \_\_\_\_\_

Serial Number: \_\_\_\_\_

Date of Purchase: \_\_\_\_\_

To better serve you, please do the following before contacting customer service:

If you received a damaged product, immediately contact the retailer or dealer that sold you the product.

Read and follow this instruction manual carefully to help you install, use, and maintain your unit.

Refer to the Troubleshooting section of this manual as it will help you diagnose and solve many common issues.

# Contents

Safety .....	4
Parts .....	5
Installation .....	6
V-Grate Installation .....	12
Operation .....	18
Warranty .....	19

# Safety

## For Outdoor Use Only

DO NOT operate this appliance before reading this User Manual.

DO NOT place articles on or against this appliance.

DO NOT store chemicals or flammable materials or spray aerosols near this appliance.

DO NOT operate the appliance indoors.

DO NOT operate in an enclosed area.

Accessible parts may be very hot. Keep young children or pets away.

Minimum clearances from combustible materials: 9 feet.

Use high-quality charcoal, a charcoal/wood blend, BBQ wood chunks, or lump charcoal.

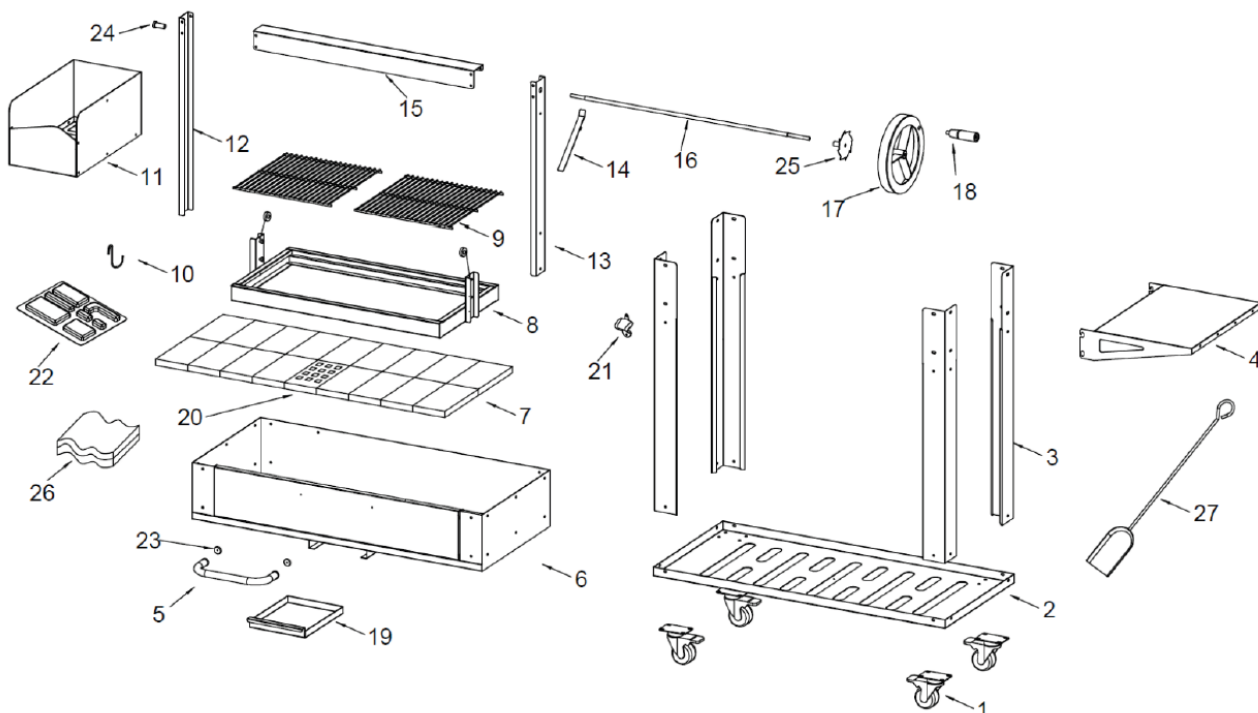
Retain these instructions for future use.

A Phillips-head screwdriver is needed (not included).




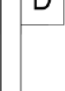






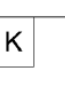



### **Warning:**

Ensure that firewood logs do not exceed the length of the basket. Do not load more than 8.8 lbs. of charcoal or 6.6 lbs. of wood logs.

# Parts


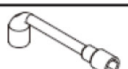




## Parts List

<b>A</b>  16x M8x12	<b>B</b>  24x M6x10	<b>C</b>  2x M5x14	<b>D</b>  12x M6x14
<b>E</b>  2x M4x35	<b>F</b>  1x q8xM6x25	<b>G</b>  4x 8xM6x8	<b>H</b>  16x M8
<b>I</b>  2x M5	<b>J</b>  38x M6	<b>K</b>  3x M4	<b>L</b>  1x M10
<b>M</b>  1x M10	<b>N</b>  1x M4*20	<i>Please use the correct screw/nuts as per the labels A, B, C... etc. on the bags.</i>	

- |                             |                       |
|-----------------------------|-----------------------|
| 1. Casters 4 pcs            | 15. Axle Cover        |
| 2. Bottom tray              | 16. Axle              |
| 3. Legs 4 pcs               | 17. Hand Wheel        |
| 4. Side Shelf               | 18. Wheel Handle      |
| 5. Handle                   | 19. Ash Tray          |
| 6. Stove Tub                | 20. Leakage Ash Box   |
| 7. Refractory Bricks 17 pcs | 21. Bottle Opener     |
| 8. Grill Frame              | 22. Screws Blister    |
| 9. Cooking Grates 2 pcs     | 23. Handle Caps 2 pcs |
| 10. Small Hooks 4 pcs       | 24. Coupler           |
| 11. Charcoal / Wood Basket  | 25. Hand Wheel Gear   |
| 12. Supporting Bracket (L)  | 26. Cover             |
| 13. Supporting Bracket (R)  | 27. Shovel            |
| 14. Brake Handle            |                       |

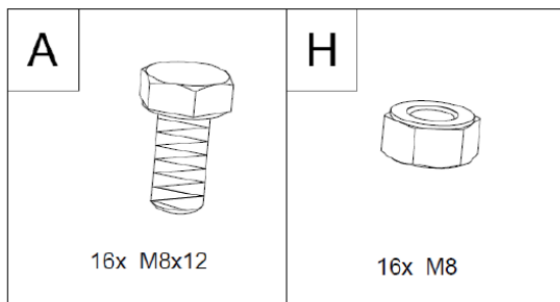
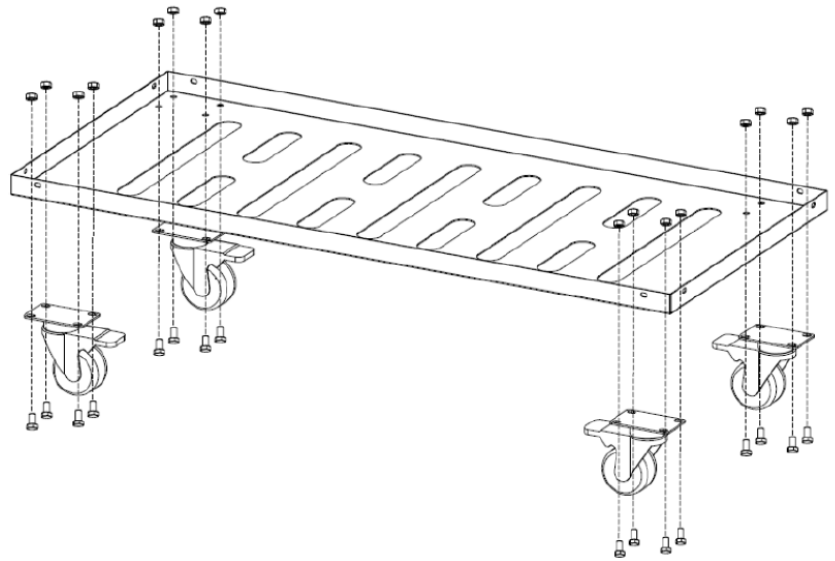
## Tools Required for Assembly

1	Phillips screwdriver (Not included)		3	Outer Hexagon Wrench	
2	Wrench (Not included)		4	Hex Wrench	

# Installation

**Step 1:** Install 4 pcs Casters (1), each caster uses 4 pcs M8\*12 hex bolts (A) and 4pcs M8 nuts (H), lock the casters before screwing it into the Bottom Tray (2).

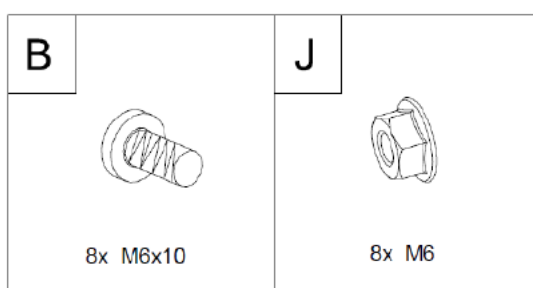
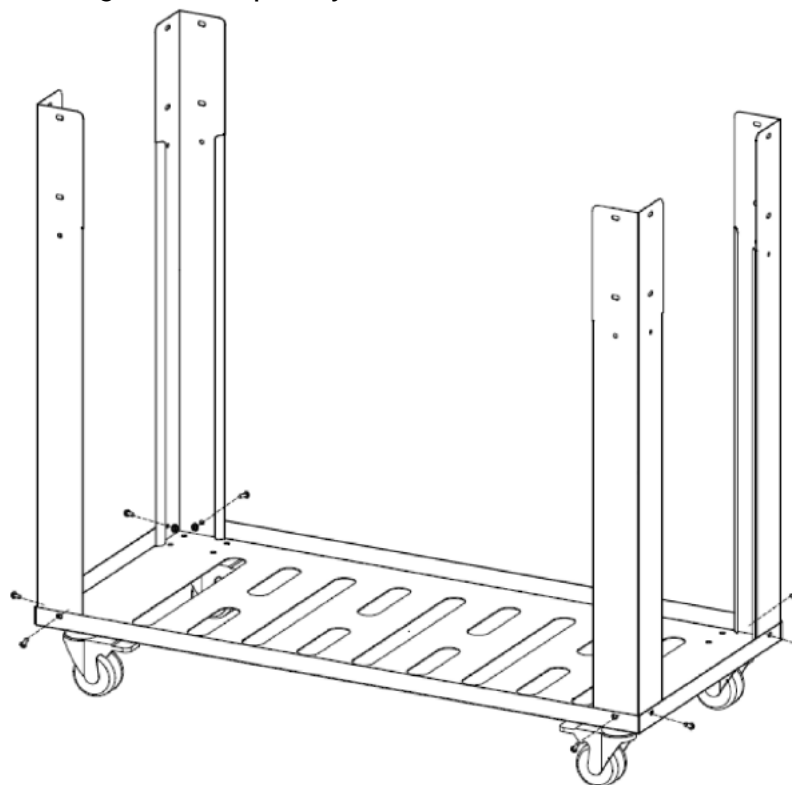
Use the included wrench to fasten the M8 screws.



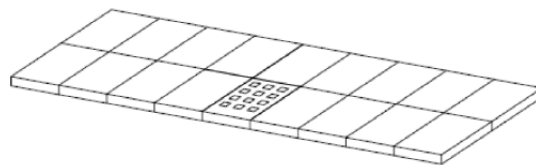
Do not fully tighten any screws or nuts until the grill is completely assembled.

**Step 2:** Install 4 pcs Legs (3) on the Bottom Tray (2). Install according to the number markings on the parts.

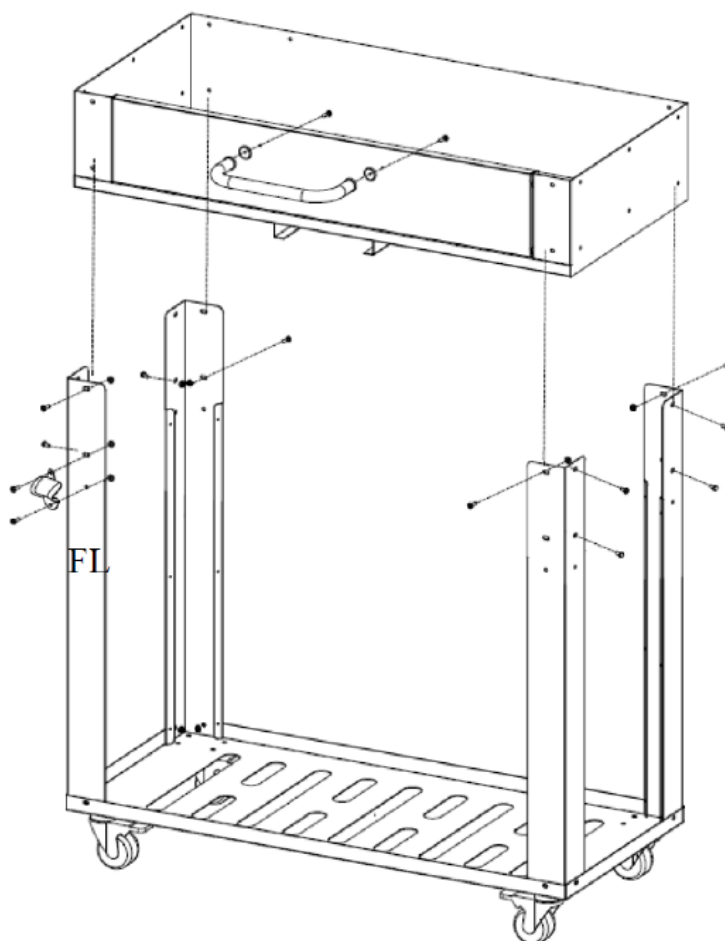
Each leg uses 2 pcs M6\*10 screws (B) and 2 pcs M6 nuts (J).



**Step 3:** Attach the Stove Tub (6) to the four Legs (3) using 10 M6×10 screws (B) and M6 nuts (J), the remaining screws and nuts will be used in Step 4.








Install the handle (5) and cover of handle (23) to the front door with 2 pcs M6\*14 screws (D) (pre-assembled).



Put the 17 pcs refractory bricks (7) on the stove tub.

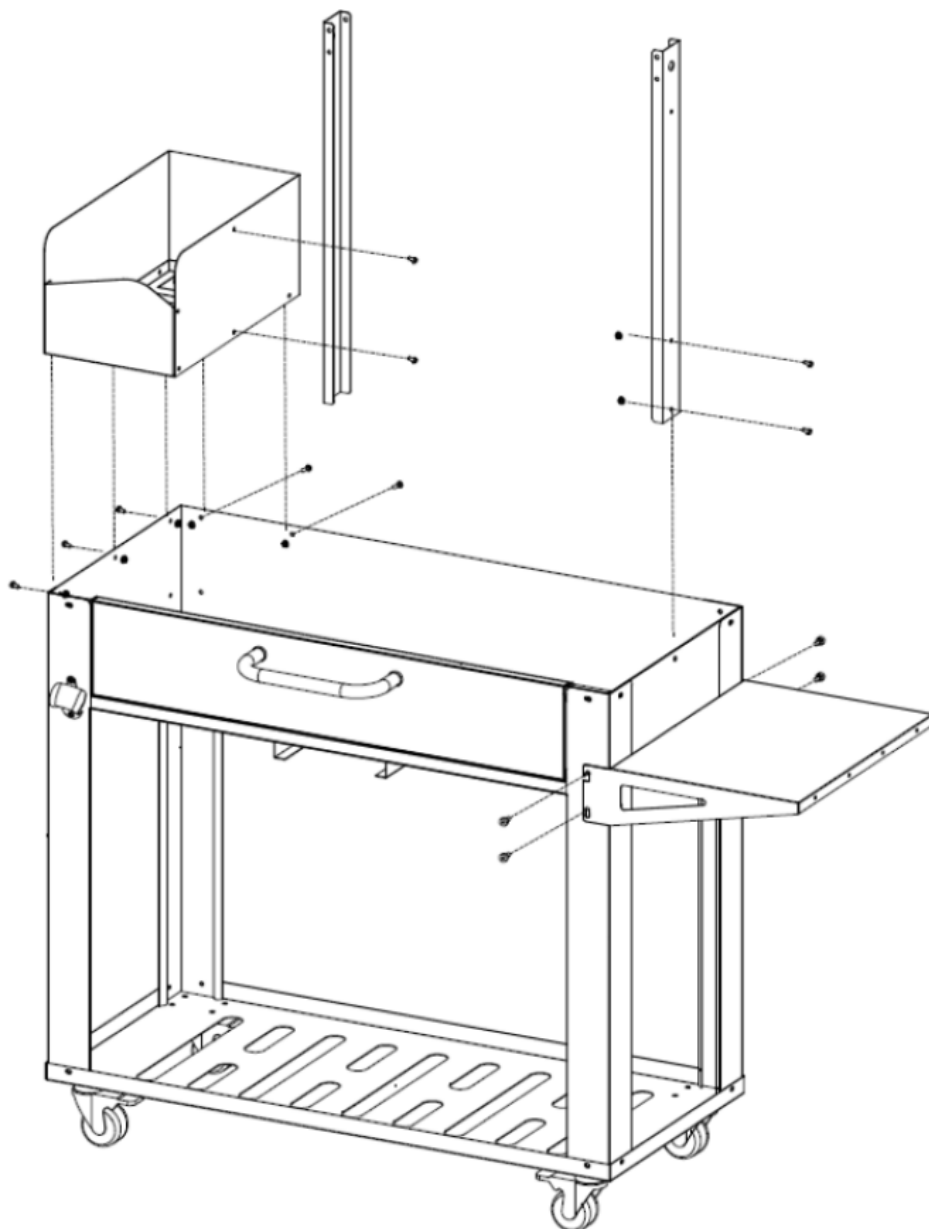
Install the bottle opener (21) on the FL leg with 2 pcs M5\*14 screws (C) and nuts (I) .

B		C		D		I		J	
10x	M6x10	2x	M5x14	2x	M6x14	2x	M5	10x	M6




**Step 4:** Attach the charcoal/wood basket (11) on the stove tub by using 5 pcs M6\*14 screws (D) and M6 nuts (J).

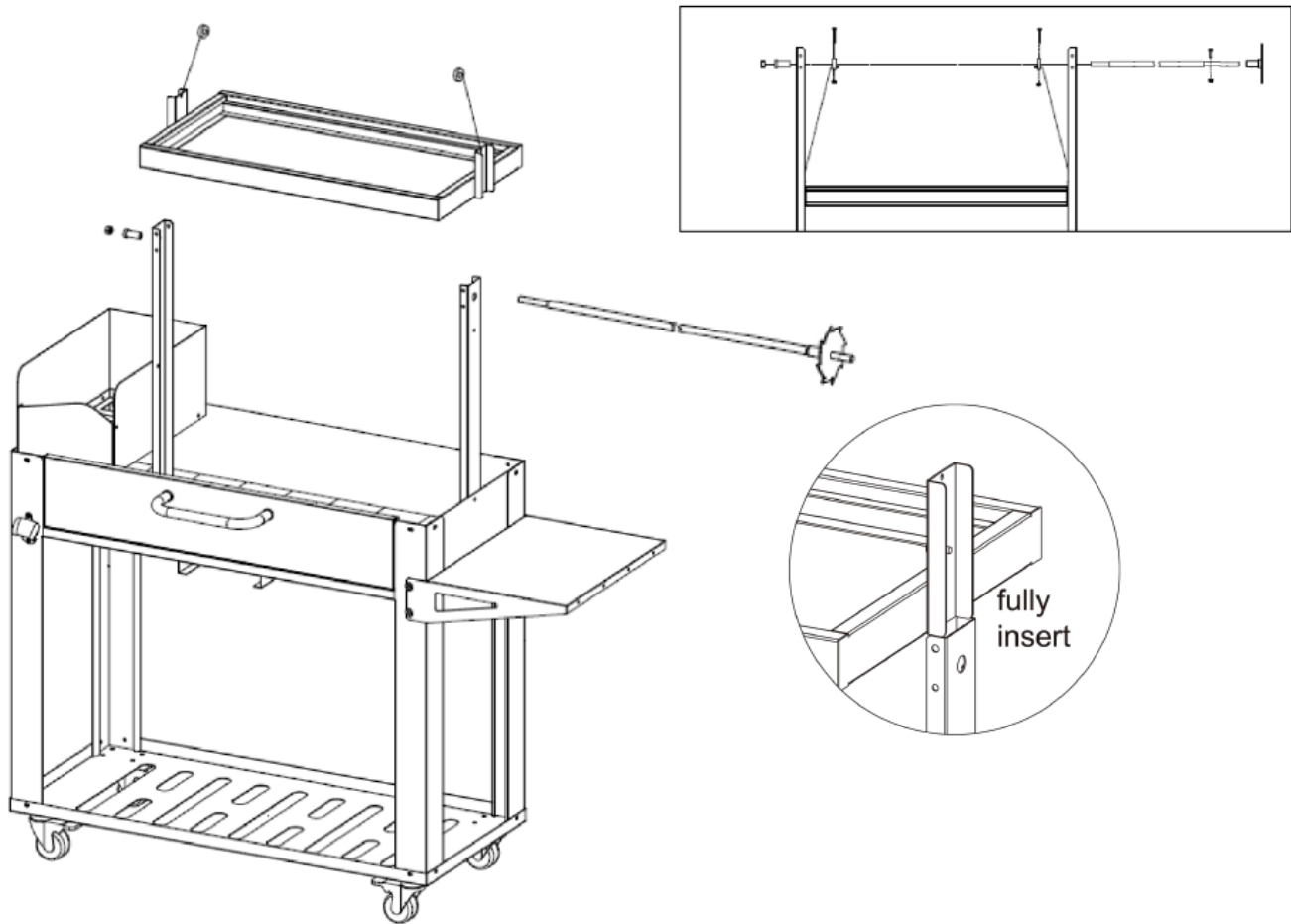
Attach the left supporting bracket(12) to the charcoal / wooden basket (11) , and right supporting bracket (13) to the stove tub (6) by using 4 pcs M6\*14 screws (D) and M6 nuts (J).





Install the side shelf by using M6\*8 step screws (G) and M6 nut (J). Use the included hex wrench to tighten the screws.



Hex Wrench

<b>D</b>	<b>G</b>	<b>J</b>
		
9x M6x14	4x 8xM6x8	13x M6



<p><b>E</b></p>  <p>2x M4x35</p>	<p><b>K</b></p>  <p>3x M4</p>	<p><b>L</b></p>  <p>1x M10</p>	<p><b>N</b></p>  <p>1x M4*20</p>
---	--	--	---

**Step 5:** Put the grill frame (8) into the stove tub, make sure the two sliding brackets (with cables) sit inside the slots of two supporting brackets.

Insert the stainless steel Axle (16) into the right support bracket (13).

While holding the cable ring, slide the axle through the ring. Repeat this for the ring on the left cable so that both rings are positioned on the axle.

Once both rings are in place, insert the axle into the hole on the left support bracket (12).

Insert the Connector Coupler (24) into the hole on the left support bracket from the outside, then secure it with the M10 nut (L) (pre-assembled).

Insert the Hand Wheel Gear (25) into the hole on the right support bracket from the outside and fasten it using the M4x20 screws (N) and M4 nut (K) (pre-assembled).

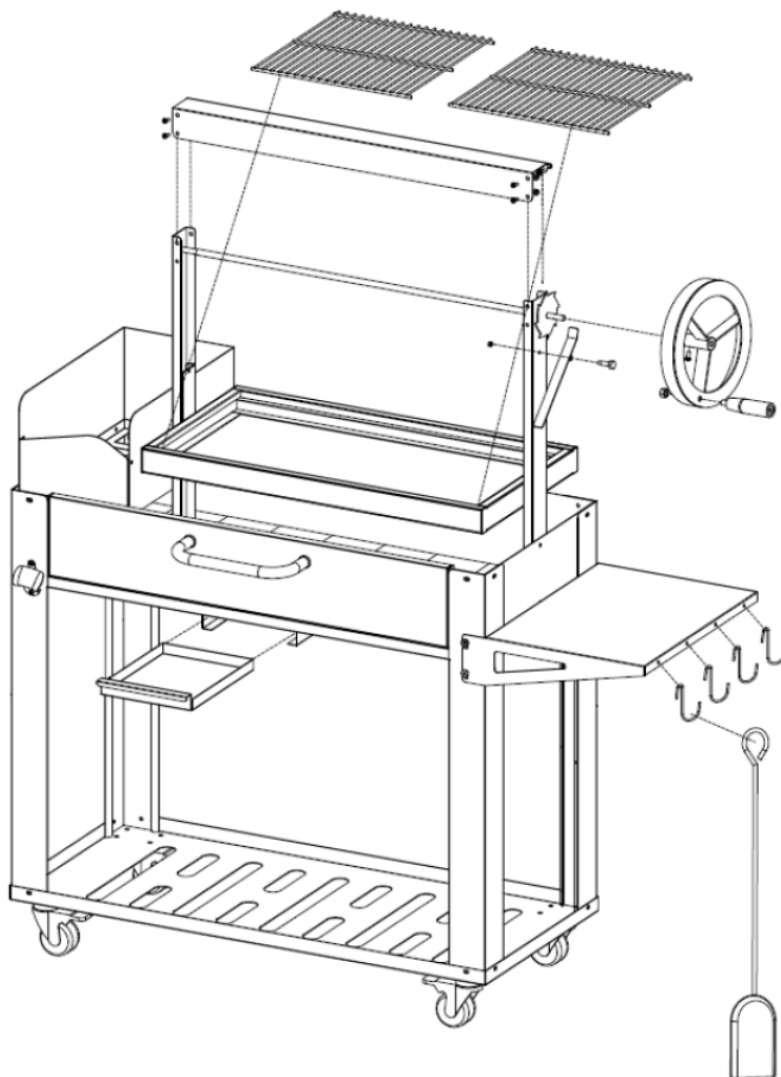
Check that the grill frame is hanging evenly on both cables. Once confirmed, secure the two rings on the axle using the M4x35 screws (E) and M4 nuts (K) (pre-assembled).

**Note:** For models KM-OG-AV-54 and KM-OG-A-54-VGrates refer to page 12 for accessory-specific installation steps.

**Step 6:** Install the Brake Handle (14) on the right supporting bracket (13) by using shoulder screw (F) & nut (J). Ensure the curved portion of the brake handle is facing upward. \*(F) & (J) are pre-assembled.

Put the bolt of the Wheel Handle (18) in the hole on the Hand Wheel (17) and secure it by using nut (M). \*(M) is pre-assembled.

Assemble the hand wheel onto the end of the axle. Align the hole in the center of the hand wheel with the hole in the axle shaft, then secure the hand wheel to the axle using the M6×14 screw.



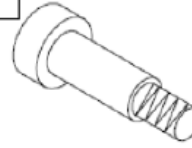

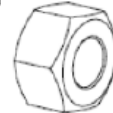


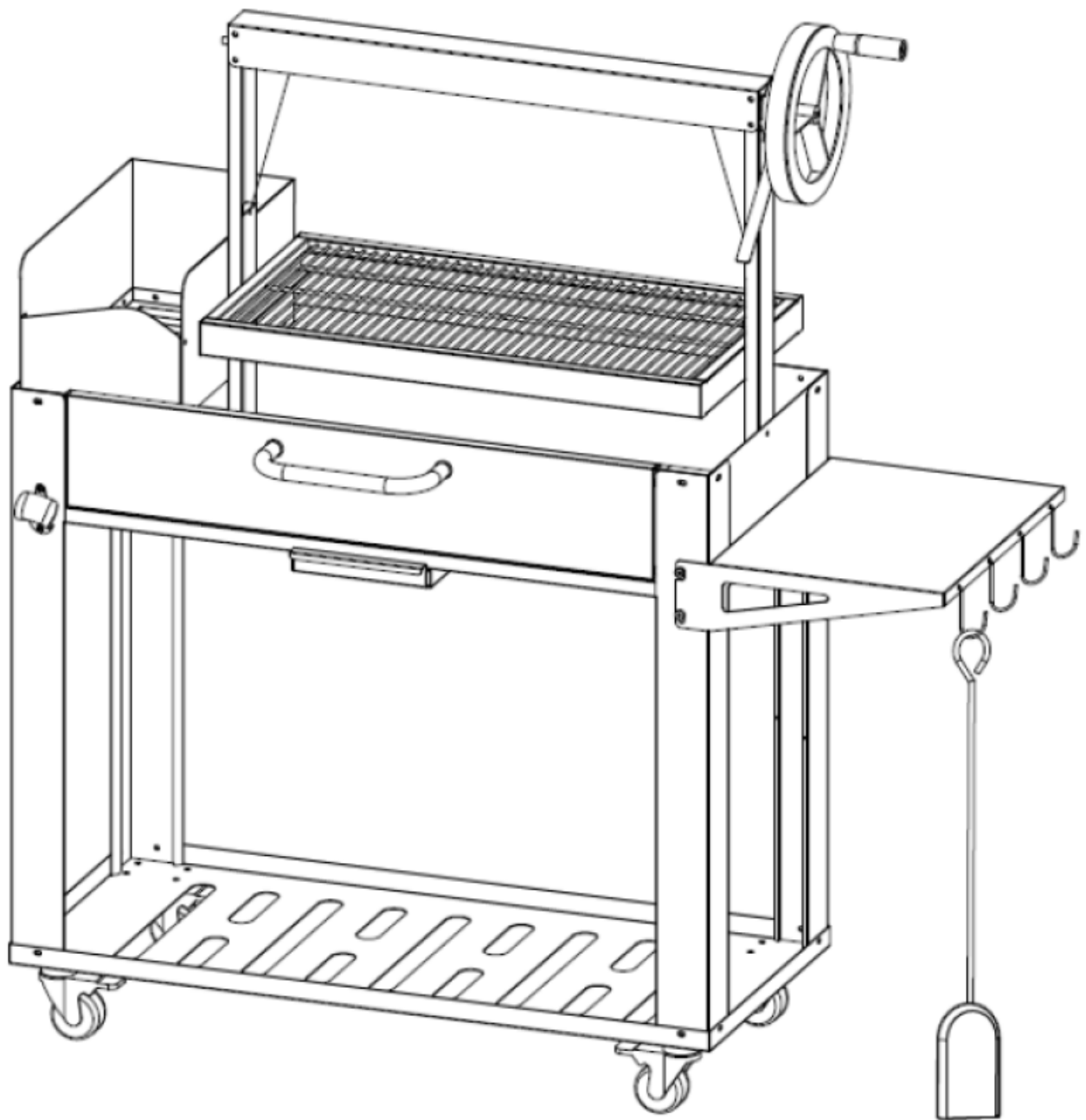
Install the small hooks (10) and shovel (27) on the side shelf (4).

Install the Ash tray (19) under the stove tub.

Put the cooking grates (9) on the grill frame.

Install the Axle Cover (15) onto the two brackets and secure it using 6 M6×10 screws (B) and M6 nuts (J).

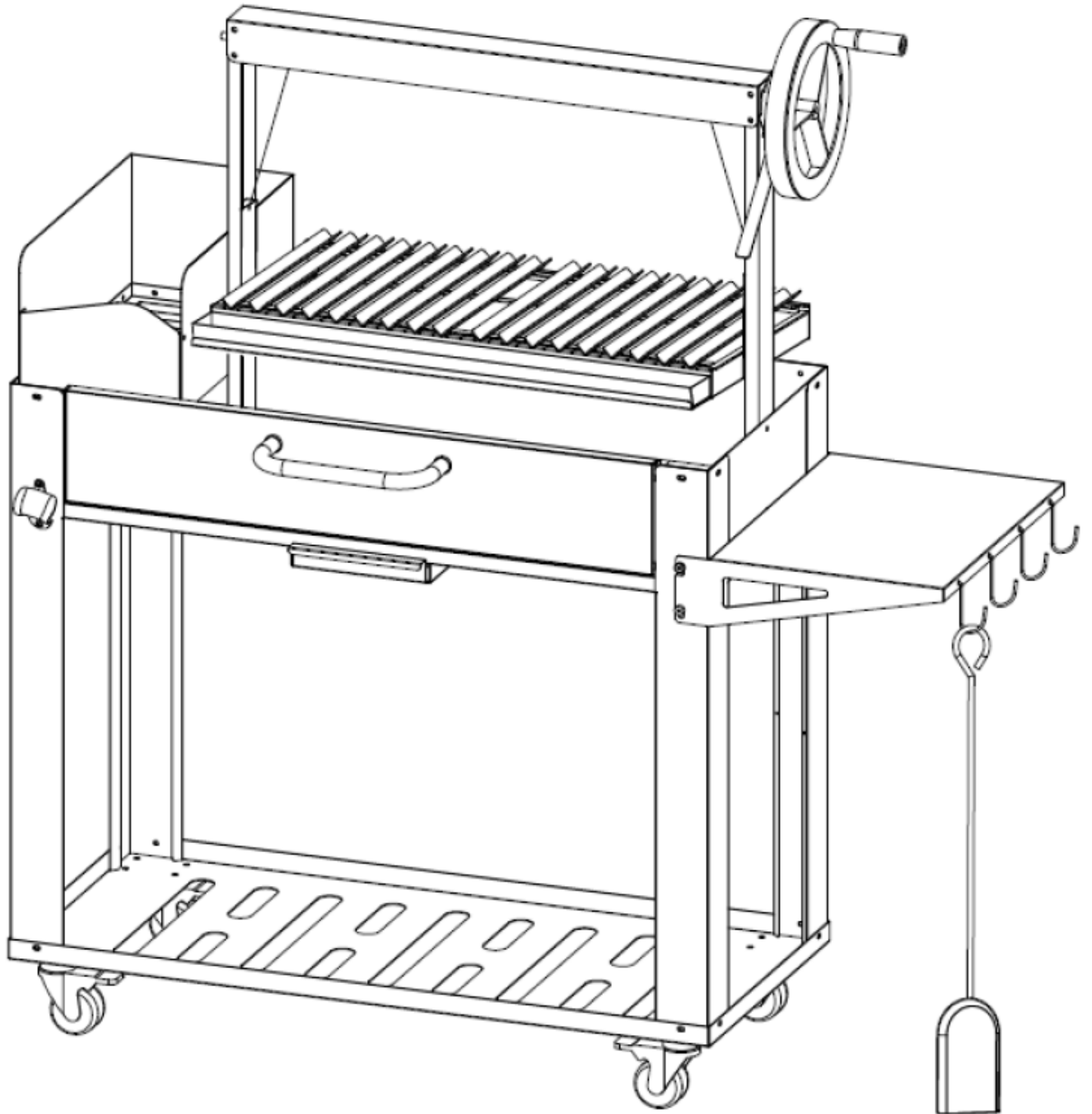
<p><b>B</b></p>  <p>6x M6×10</p>	<p><b>D</b></p>  <p>1x M8×14</p>	<p><b>F</b></p>  <p>1x φ8×M6×25</p>
<p><b>J</b></p>  <p>7x M6</p>	<p><b>M</b></p>  <p>1x M10</p>	



**Step 7:** Fasten all screws and nuts. Make sure to place the BBQ grill on a firm and flat surface. Well done and enjoy!

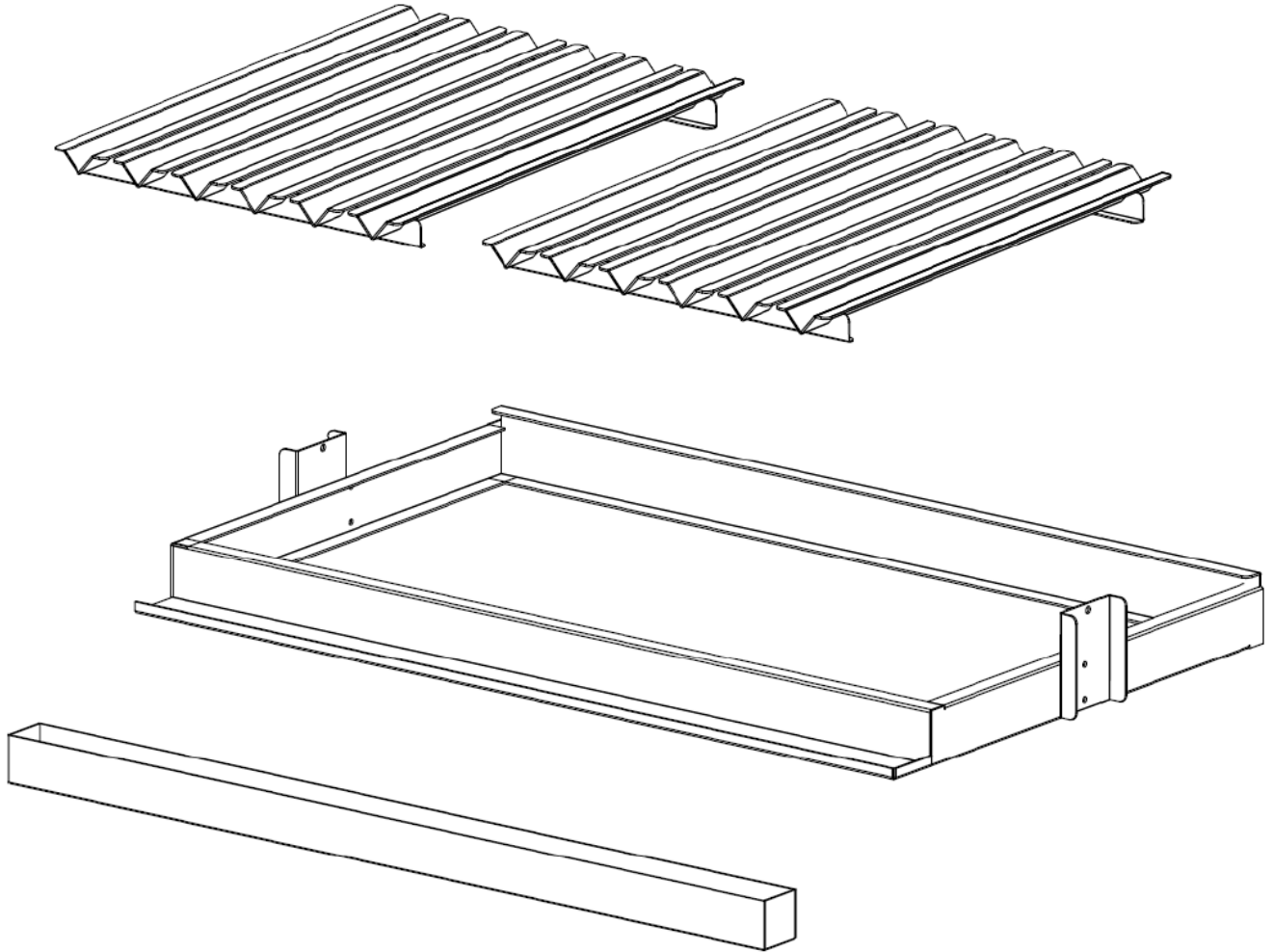
# V-Grates Installation

Instructions for V-Shape Grates Assembly for models KM-OG-AV-54 and KM-OG-A-54-VGrates. For model KM-OG-AV-54 start at Step 3.

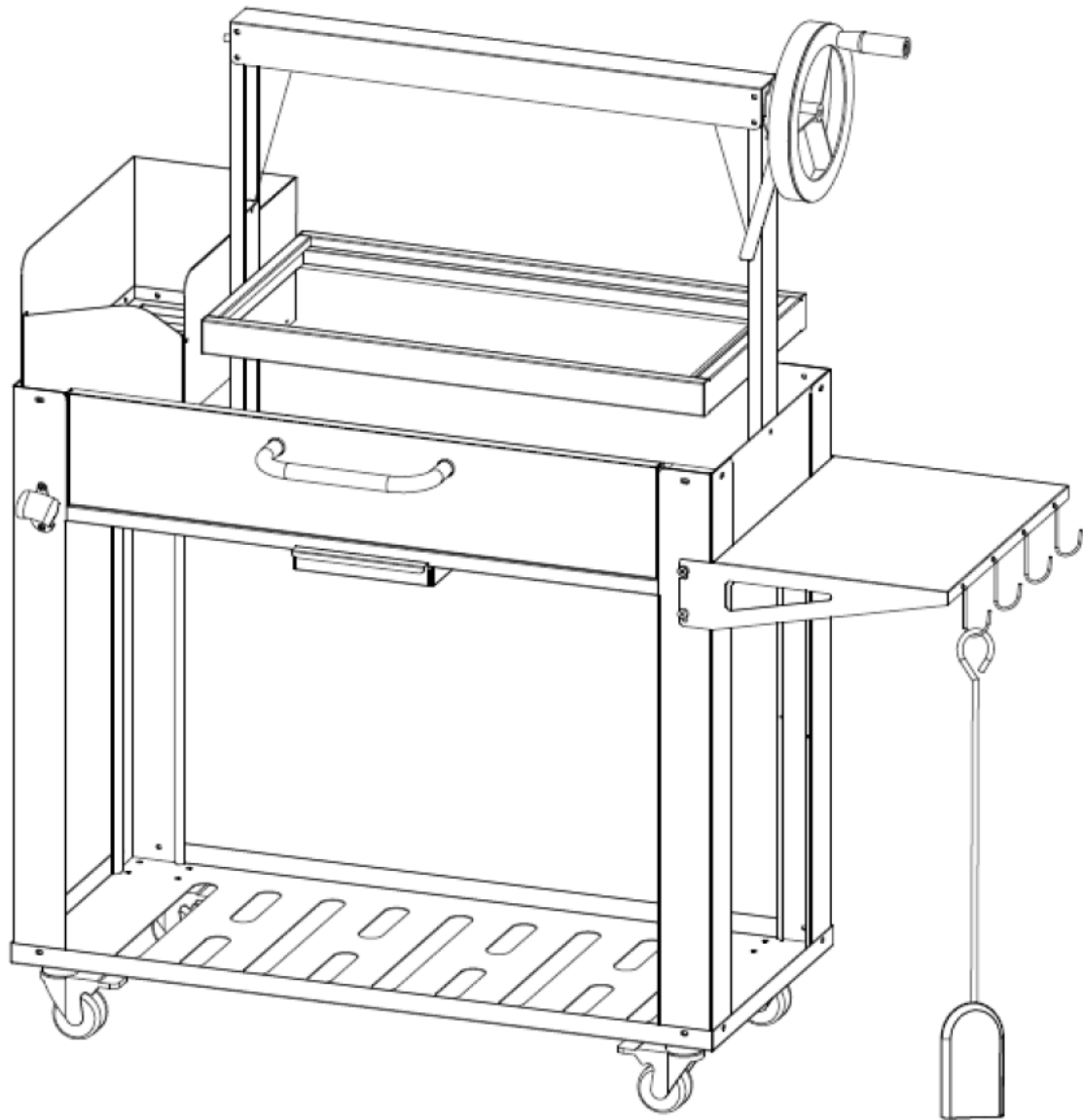
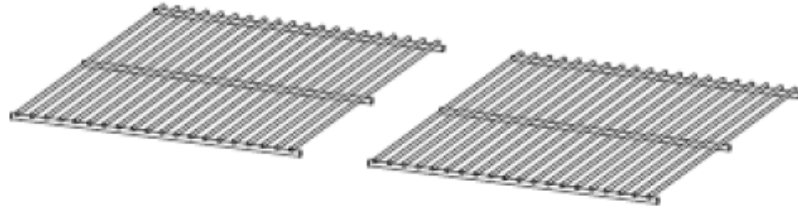


**Part List**

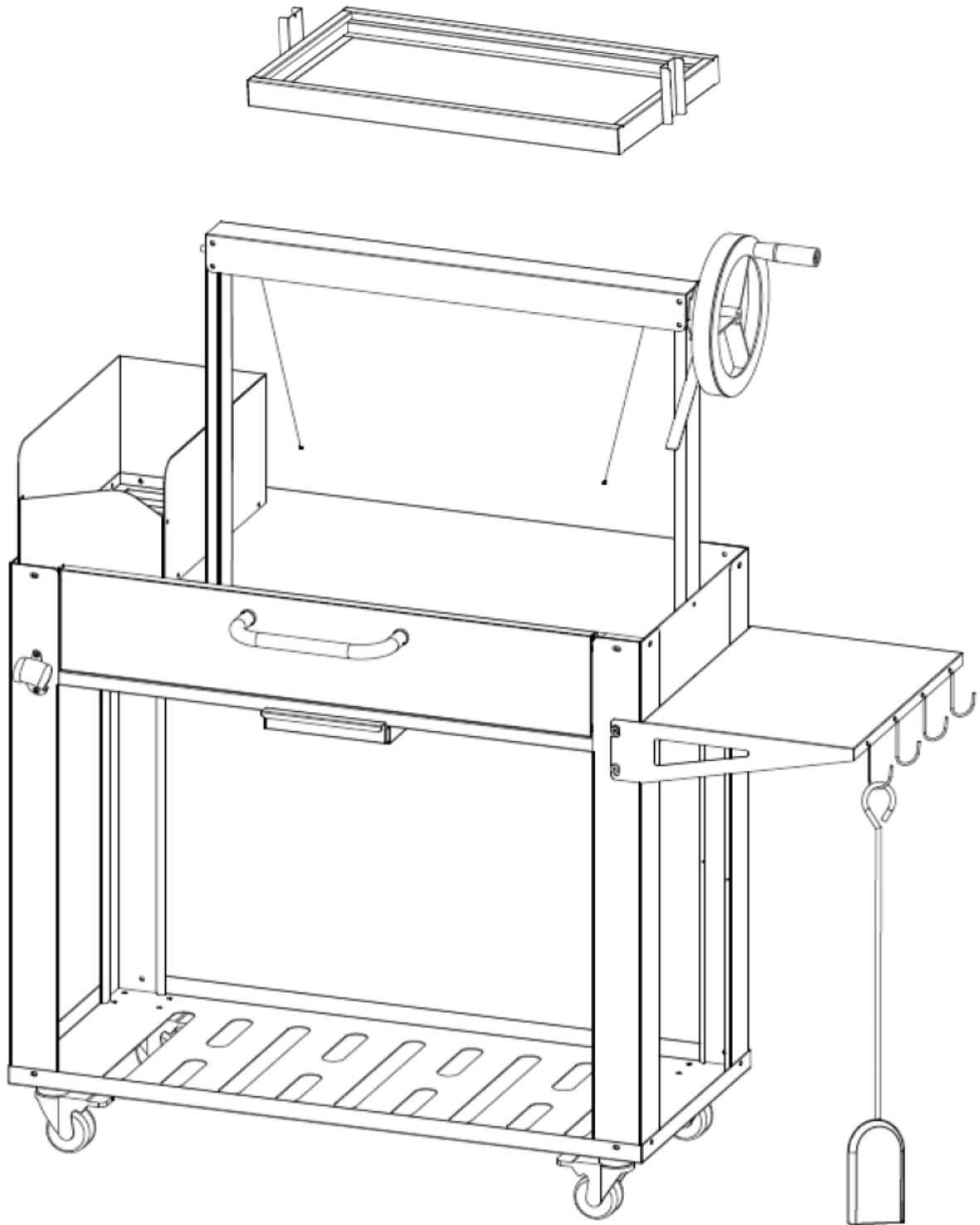
1. V-shape Cooking Grate 2pcs
2. Grill Frame 1
3. Grease Box 1

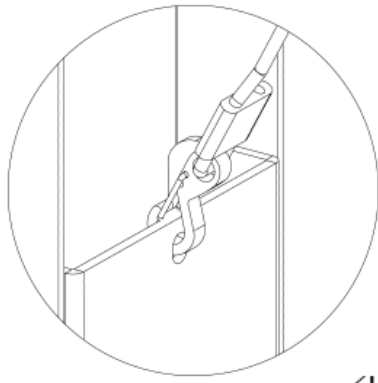


**Step 1:** Lower the grill frame completely, then remove the grill grates.

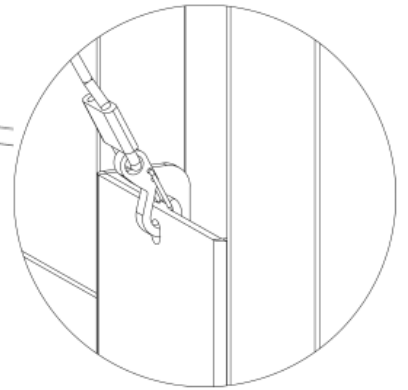


**Step 2:** Detach the cable hooks from both sides of the grill frame, then lift the grill frame out at an angle.

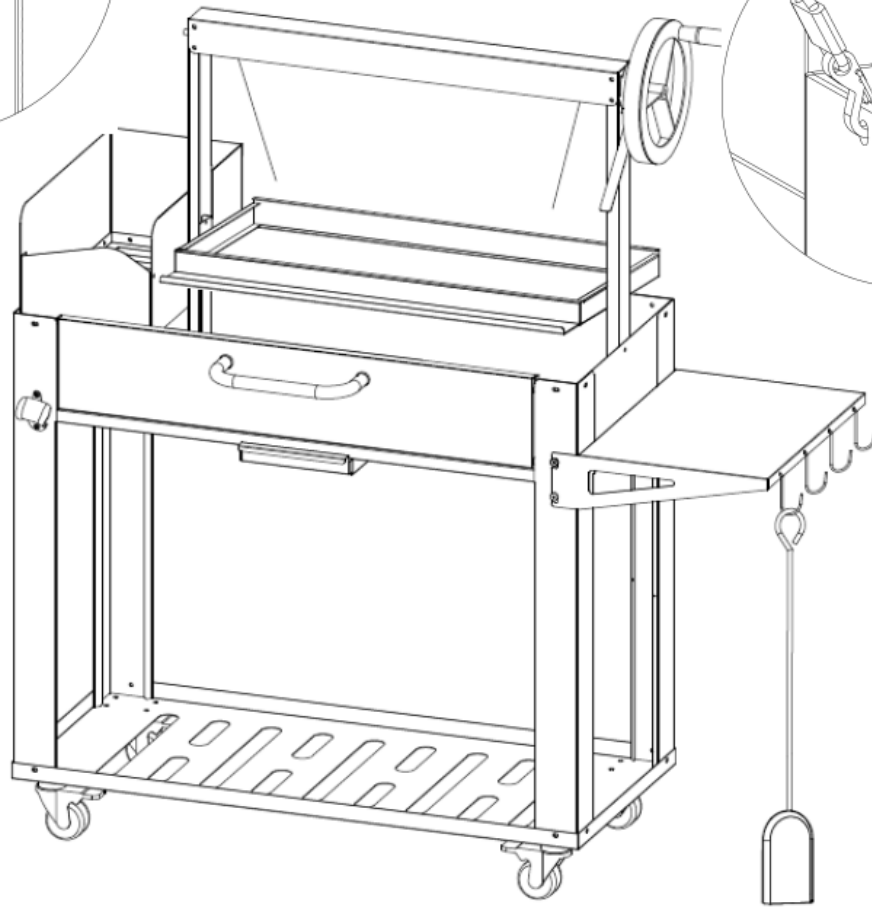




Left hook

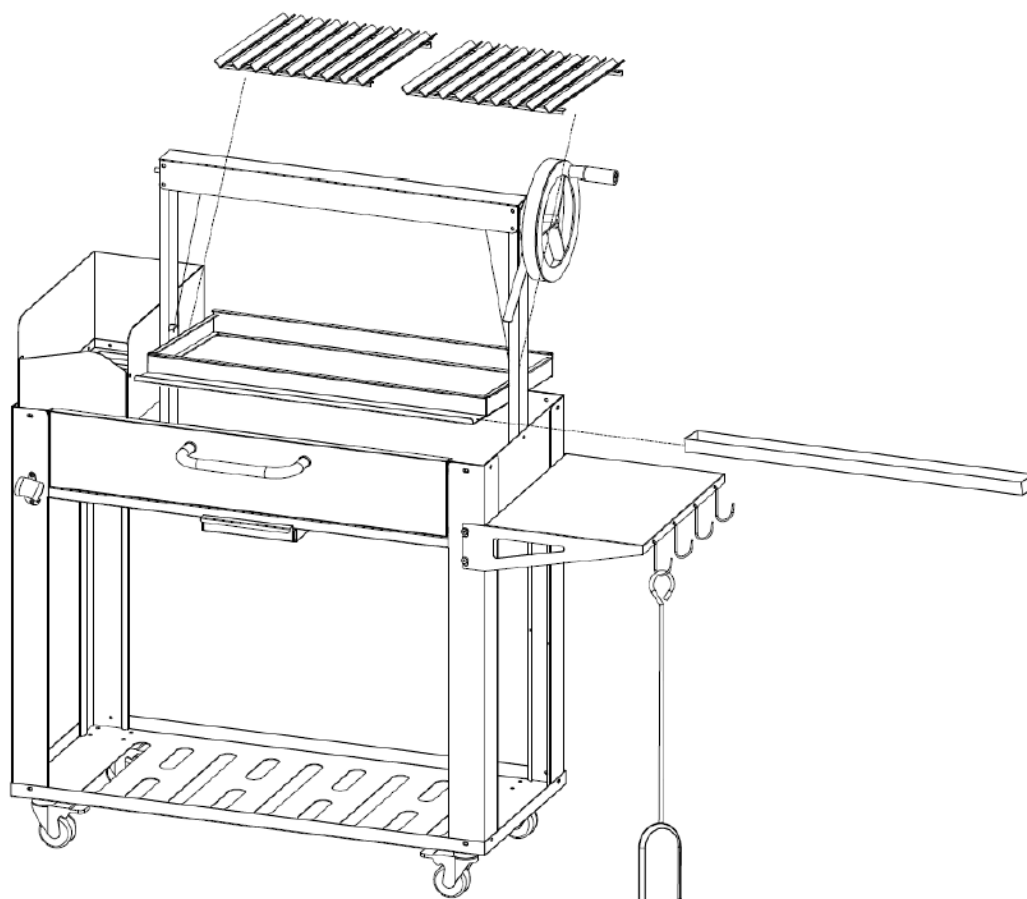


Right hook

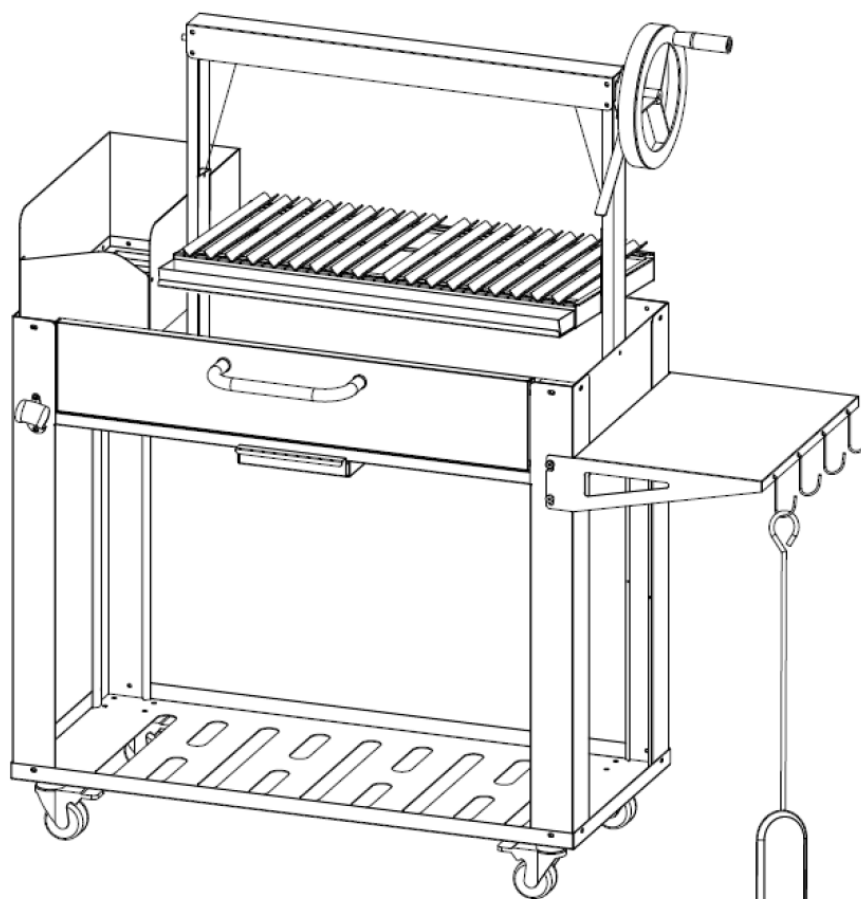


**Step 3:** Insert the V-Grate frame into the stove tub at an angle. Ensure both sliding brackets are fully seated in the supporting brackets. Verify that the fixing screws on both cable rings on the axle are facing downward. Engage the cable hooks into the holes on both sides of the sliding brackets, making sure the cables are not twisted.

**Step 4:** Install the V-shaped cooking grates and grease box on the grill frame.



**Step 5:** Ensure the grill is positioned on a firm and flat surface.



# Operation

**NOTE:** It is normal for the coating to discolor or burn off after repeated usage. To properly maintain the grill, remove excess corrosion and apply high temperature resistant coating or paint.

## Cleaning

Routinely clean and inspect the grill to extend the product life and maintain safe operating conditions.

To avoid burns: DO NOT attempt to clean the grill until it has properly and completely cooled.

To avoid burns: DO NOT clean the grill while an active fire or smolder embers are present.

To avoid burns: DO NOT use abrasive chemicals or oven cleaner as this could damage the paint finish.

1. Remove leftover coals and ash using a fire scoop or shovel (or handheld garden shovel).
2. Rinse the fire bowl and drain the water.
3. Wash the exterior surfaces using a mild dish washing detergent. A brush might be required to help scrub some stains.
4. Rinse all surfaces and allow to air-dry or dry with a towel.

## Storage

To avoid burns: DO NOT move or store this grill until the fire is out and it has completely cooled.

1. Once the coals are cold (no longer burning or smoldering) and the grill has cooled, remove and properly dispose of the ashes.
2. Move and store the grill in a dry location.
3. Always store the grill in a location out of reach of children and pets.
4. To help maximize the product life, keep the grill stored in a dry location or covered with included PVC cover.

## Grilling

Prepare a suitable fire for cooking and position the cooking grid at a desired height.

The grid can adjust as needed to access the fire or to move food away from the fire or heat.



# WARRANTY

## LIMITED WARRANTY

---

KoolMore Supply Inc. extends a limited warranty to the original purchaser, guaranteeing that this KoolMore product is free from manufacturing defects in material or workmanship for one year from the date of purchase.

Should you discover any such defect within the warranty period, KoolMore Supply Inc. reserves the right to repair or replace the product without charge, or to cover the cost of replacement parts and repair labor needed to correct defects present at the time of purchase or resulting from regular usage, when the appliance has been installed, operated, and maintained as per the instructions provided.

At its sole discretion, KoolMore Supply Inc. may decide to replace the product. In such an event, your replacement appliance will carry the warranty for the remaining term of the original unit's warranty period.

This warranty is valid exclusively to the original purchaser of the product and only applicable within the United States. The warranty commences from the date of original consumer purchase. Proof of the original purchase date will be required to obtain service under this warranty.

Under this limited warranty, your sole and exclusive remedy will be product repair, as outlined above. All services must be provided by a KoolMore designated service company.

To claim warranty or request repair service:

Email [support@koolmore.com](mailto:support@koolmore.com). Please include your name, address, phone number, warranty repair request, and a copy of your proof of purchase receipt. Alternatively, visit [koolmore.com](http://koolmore.com) and use the Contact Us page. A KoolMore customer service representative will promptly arrange service for your appliance.

We thank you for choosing KoolMore.

## WARRANTY EXCLUSIONS

---

This limited warranty will not cover:

1. Failure of the product to perform during power failures or interruptions, or due to inadequate electrical service.
2. Damage incurred during transportation or handling.
3. Damage caused by accidents, vermin, lightning, winds, fire, floods, or acts of God.
4. Damage resulting from accidents, alterations, misuse, abuse, improper installation, repair, or maintenance. This includes using any external device that alters or converts the voltage or frequency of electricity.
5. Unauthorized product modifications, repairs by unauthorized centers, or use of non-approved replacement parts.
6. Abnormal cleaning and maintenance not aligned with the user's manual.
7. Use of incompatible accessories or components.
8. Any costs associated with repairs or replacements under these excluded circumstances shall be the responsibility of the consumer.

***KoolMore***