

**KitchenAid®**

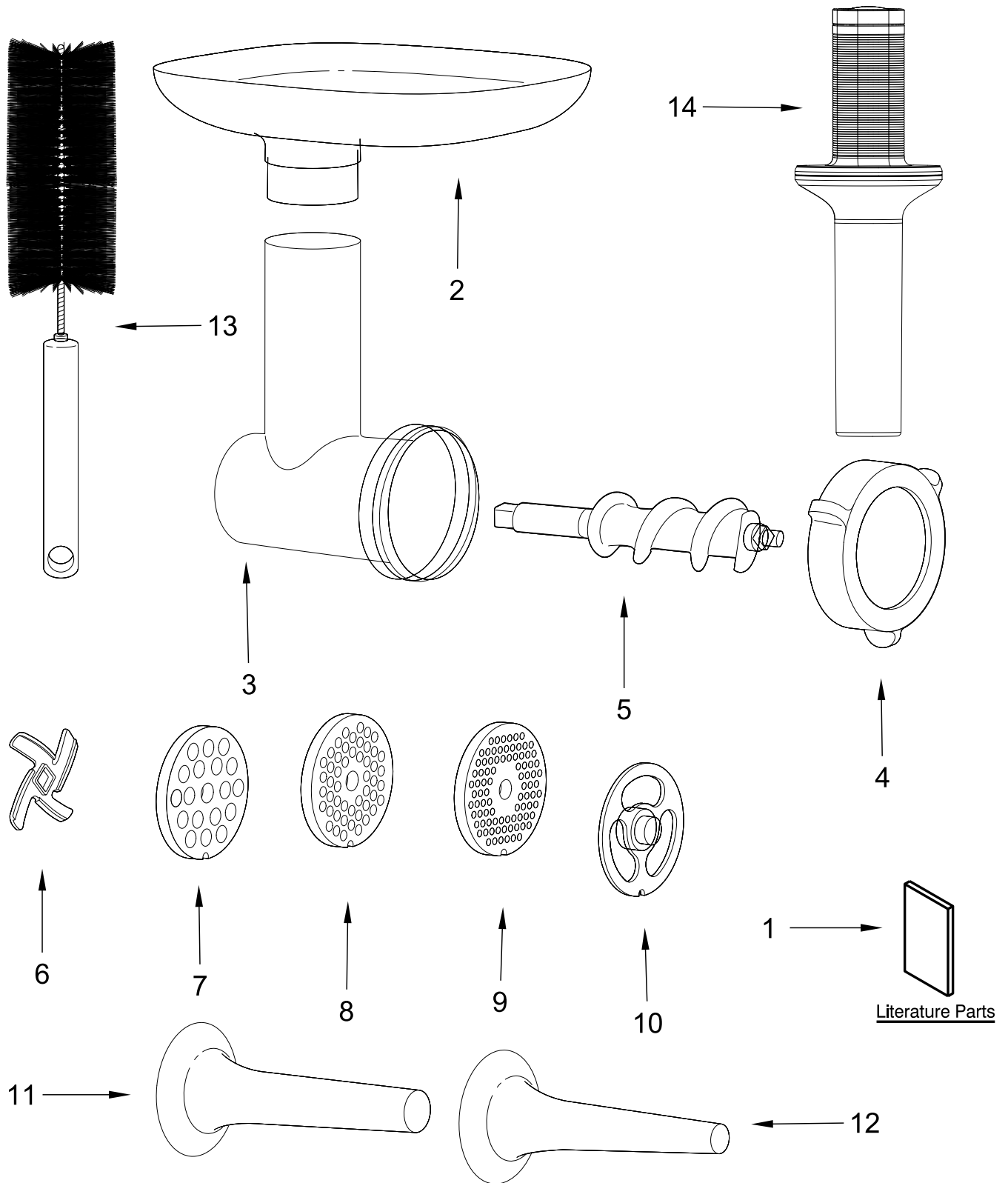
**METAL FOOD GRINDER ATTACHMENT**

**MODELS:**

KSMMGA0 (United States)

5KSMMGA0 (Europe)

# METAL FOOD GRINDER ATTACHMENT PARTS



Literature Parts

# METAL FOOD GRINDER ATTACHMENT PARTS

<u>Illus. No.</u>	<u>Part No.</u>	<u>Description</u>	<u>Illus. No.</u>	<u>Part No.</u>	<u>Description</u>	<u>Illus. No.</u>	<u>Part No.</u>	<u>Description</u>
1		Literature Parts	4	W11254834	Collar	11	W11254846	Tube, Sausage Stuffer (Small)
	W11204951	Use & Care Guide (United States)	5	W11254835	Auger Assembly	12	W11254847	Tube, Sausage Stuffer (Medium)
	W11204954	Use & Care Guide (International)	6	W11254837	Blade	13	W11254848	Brush
2	W11254827	Tray	7	W11254842	Grinder, Coarse	14	W11254849	Tamper with Cap
3	W11254829	Main Housing with Bushing	8	W11254840	Grinder, Medium			
			9	W11254844	Grinder, Fine			
			10	W11254845	Plate, Sausage Stuffer			