

KWT 6722 iS 24" Built-In Wine Unit Material# 11329860

Features:

- SommelierSet
- 3D Presenter Rack
- Beechwood FlexiFrame racks with NoteBoard
- Dimmable and feature lighting
- 2 independent temperature zones
- TouchControl
- Custom panel ready
- Right hinged (reversible)

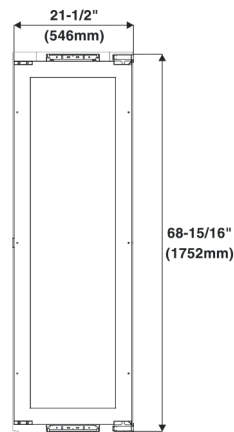
Accessories:

- CleanTouch Steel Panel
Material# 11329620
- Comfort Handle DS 6708
Material# 09828380
- Pureline Handle DS 6808
Material# 09828400

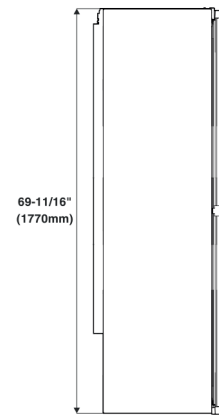


SPECIFICATIONS	
Overall Unit Dimensions	21 ¹⁵ / ₁₆ " (557 mm) W x 69 ¹¹ / ₁₆ " (1770 mm) H x 21 ³ / ₄ " (553 mm) D [Depth does not include door panel]
Niche	
Minimum Cabinet Niche Opening	22 ¹ / ₁₆ " (560 mm) W x 69 ³ / ₄ " (1772 mm) H x 24 ³ / ₄ " (629 mm) D
Electrical	
Electrical Requirements	110V / 120V, 60Hz, 15 Amps
Power Cord	NEMA 5-15 plug, 5 ft (1.52 m)
Shipping	
Shipping Weight	223 lbs (101 kg)
Shipping Dimensions	25 ¹ / ₁₆ " (636 mm) W x 74 ⁹ / ₁₆ " (1,894 mm) H x 25 ⁷ / ₈ " (636 mm) D

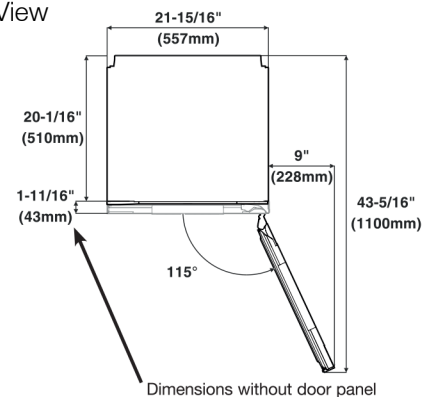
Front View



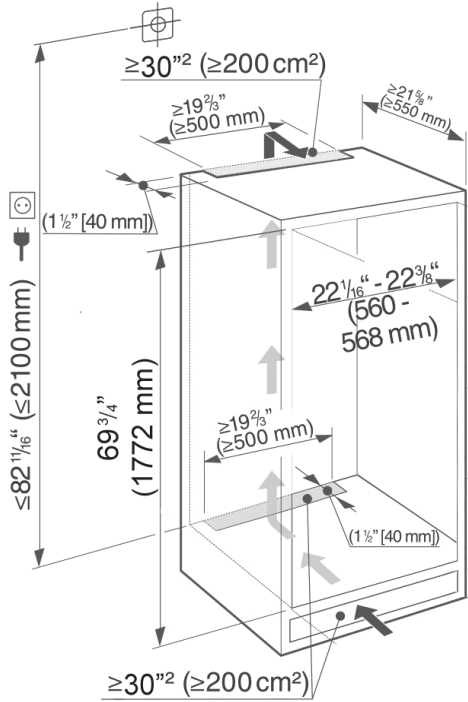
Side View



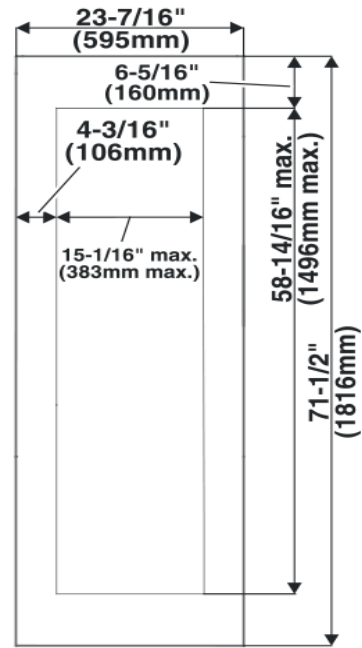
Top View



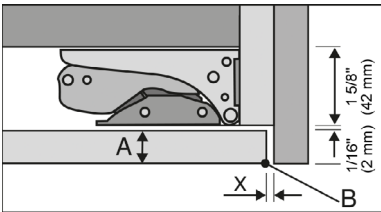
Cutout Dimensions



Miele CleanTouch Steel Panel Dimensions for Frame-less/Overlay Design



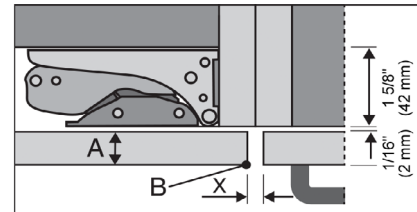
Custom Panel for Inset Design



Adjoining side wall

A = Door panel thickness
 B = Edge radius
 X = Gap

Custom Panel for Frame-less/Overlay Design



Adjoining housing unit door

A = Door panel thickness
 B = Edge radius
 X = Gap

Adjust door panel dimensions accordingly to the following

Custom Door Panel Thickness A	Minimum Gap X for different edge radii B			
	R0	R1.2	R2	R3
$5/8''$ to $3/4''$ (16 to 19 mm)	$1/8''$ (3 mm)			
$3/4''$ (20 mm)	$3/16''$ (5 mm)	$3/16''$ (4 mm)	$3/16''$ (4 mm)	$1/8''$ (3.5 mm)
	$3/16''$ (5.5 mm)	$3/16''$ (5 mm)	$3/16''$ (4.5 mm)	$3/16''$ (4 mm)
$7/8''$ (22 mm)	$1/4''$ (6.5 mm)	$1/4''$ (6 mm)	$3/16''$ (5.5 mm)	$3/16''$ (4 mm)

