

Miele

Operating and Installation Instructions



Under Counter Wine Storage Unit KWT 4154 UG-1

To prevent accidents
and machine damage
read these instructions

before

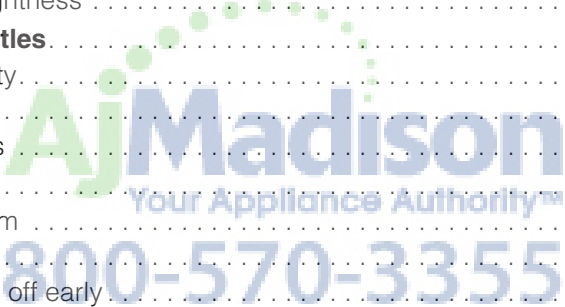
installation or use.

en - US, CA

M.-Nr. 07 508 850

Contents

IMPORTANT SAFETY INSTRUCTIONS	4
Guide to the Wine Storage Unit	7
Before use	9
Turning off for longer periods of time	9
Optimum temperature and air quality	10
Temperature	10
Setting the temperature	11
Temperature display	12
Setting the temperature display brightness.	12
Humidity	13
Constant humidity (DynaCool) 	13
Interior lighting	15
Turning on the interior lighting	15
Adjusting the brightness	15
Storing wine bottles	16
Maximum capacity	16
Wooden shelves	16
Descriptive labels	16
Alarm	17
Temperature alarm	17
Door alarm	17
Turning the alarm off early	17
Safety Lock	18
Defrosting	19
Cleaning and care	20
Cleaning the interior, door and accessories	20
Ventilation slits	20
Door seal	21
Active charcoal filters	21
Frequently asked questions	22
After sales service	25
Caring for the environment	28
Installation	29
Location	29
Ventilation	29
Before installation	29



Changing the door hinging	30
Under-counter installation	32
Appliance dimensions	32
Adjustments	32
Preparing the appliance	32
Fitting the appliance into place	33
Electrical connection	34



IMPORTANT SAFETY INSTRUCTIONS

When using the appliance, follow basic safety precautions, including the following:

Read all instructions before installation and use to prevent accidents and machine damage.

This appliance is intended for residential use only. Use only as described in this Operating manual.

Only use the appliance for its intended purpose. The manufacturer cannot be held responsible for damages caused by improper use of this appliance.

This appliance complies with current safety requirements. Improper use of the appliance can lead to personal injury and material damage.

Keep these operating instructions in a safe place and pass them on to any future user.

Warning: At an altitude of more than 5900 ft (1500 m) the glass door can break. Danger of injuries.

Electrical safety

- ▶ Before installation, make sure that the voltage and frequency listed on the data plate correspond with the household electrical supply. This data must correspond to prevent injury and machine damage. Consult a qualified electrician if in doubt.
- ▶ Before installation or service, disconnect the power supply to the work area by unplugging the unit, "tripping" the circuit breaker or removing the fuse.
- ▶ Do not use an extension cord to connect this appliance to electricity. Extension cords do not guarantee the required safety of the appliance (e.g., danger of overheating).
- ▶ Be certain your appliance is properly installed and grounded by a qualified technician. To guarantee the electrical safety of this appliance continuity must exist between the appliance and an effective grounding system. It is imperative that this basic safety requirement be met. If there is any doubt, have the electrical system of the house checked by a qualified electrician. The manufacturer cannot be held responsible for damages caused by the lack, or inadequacy, of an effective grounding system.
- ▶ Only connect power to the appliance when all installation work is complete.

IMPORTANT SAFETY INSTRUCTIONS

Installation

This appliance is top-heavy and must be secured to prevent the possibility of tipping forward. Keep the door closed until the appliance is completely installed and secured per installation instructions.

- ▶ This appliance must be installed and connected in compliance with the installation instructions.
- ▶ Installation and repair work should be performed by a Miele authorized service technician. Work by unqualified persons could be dangerous and may void the warranty.
- ▶ Do not operate any appliance with a damaged cord or plug, or if the appliance has been damaged in any manner. Contact Miele's Technical Service Department.
- ▶ This equipment is not designed for maritime use or for use in mobile installations such as recreational vehicles or aircraft.
- ▶ Do not install the appliance in a room with too low an ambient temperature, e.g., a garage, as this may lead to the appliance switching off for longer periods so that it cannot maintain the required temperature.

Use

- ▶ Persons who lack physical, sensory or mental abilities, or experience with the machine should not use it without supervision or instruction by a responsible person.
- ▶ To reduce the risk of injury, do not allow children to play in, on or near the appliance, especially in the door hinge area.
- ▶ Do not store or use gasoline or other flammable vapors and liquids in the vicinity of this or any other appliance.
- ▶ Do not use any oils or grease on the door seal, as these will cause the seal to deteriorate and become porous with time.
- ▶ Do not block the ventilation gaps in the plinth or the top of the appliance housing unit as this would impair the efficiency of the appliance, increase the electricity consumption and could cause damage to the appliance.
- ▶ Never use a steam cleaner to clean the appliance. Pressurized steam could damage electrical components and cause a short circuit.
- ▶ Do not use any electrical equipment inside the appliance. Danger of injury.

IMPORTANT SAFETY INSTRUCTIONS

Disposal of your old appliance

- ▶ Before disposing of an old appliance, first make the door latch or lock unusable.
- ▶ Take off the doors.
- ▶ Leave the shelves in place so that children may not easily climb inside.
- ▶ Consult with your municipal policy on recycling.
- ▶ Be careful not to damage any part of the pipework while awaiting disposal by:
 - puncturing the refrigerant channels in the evaporator.
 - bending any pipework.
 - scratching the surface coating.

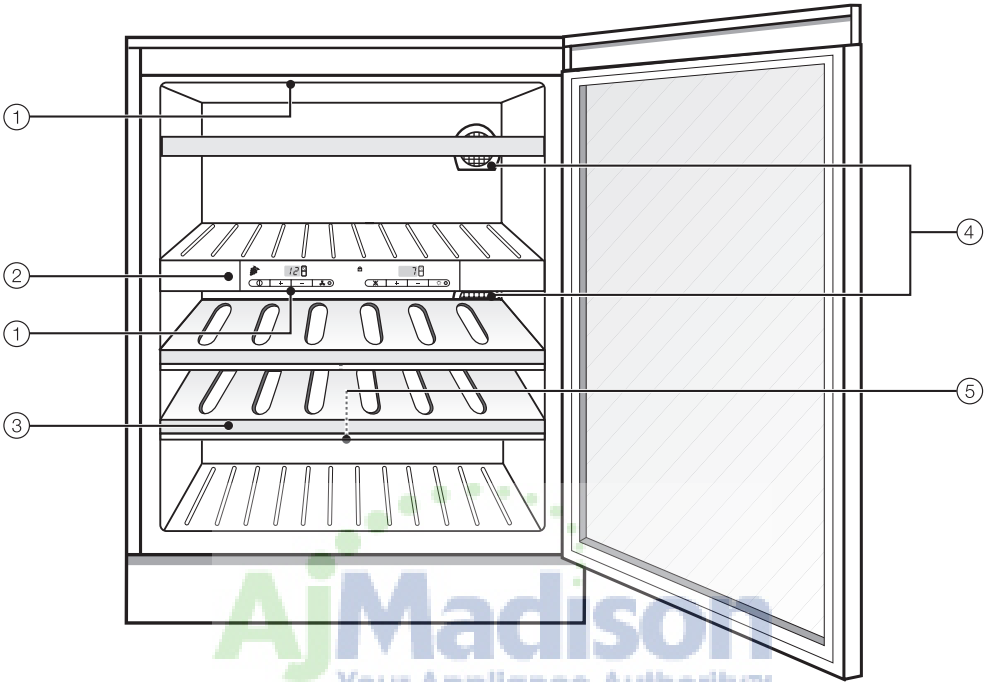
Splashes of refrigerant can damage the eyes.

- ▶ Your old refrigerator may have a cooling system that used CFC's (chlorofluorocarbons). CFC's are believed to harm stratospheric ozone. If you intentionally release this CFC refrigerant, you can be subject to fines and imprisonment under provisions of environmental legislation. Make sure the CFC refrigerant is removed and disposed of by a qualified technician.

The manufacturer cannot be held liable for damage caused by non-compliance with these Important Safety instructions.

**SAVE THESE
INSTRUCTIONS**

Guide to the Wine Storage Unit



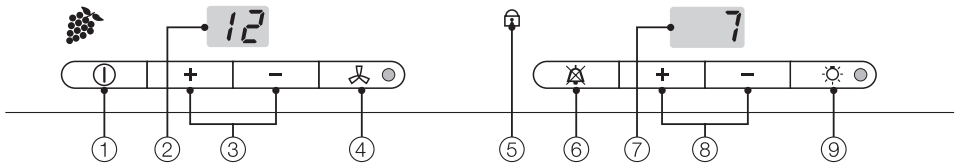
- ① Interior lighting
- ② Insulation shelf for thermal separation
- ③ Wooden shelf with decorative strip for descriptive labels
- ④ Active charcoal filter
- ⑤ Condensate channel and drain hole

AjMadison
Your Appliance Authority™

800-570-3355

Guide to the Wine Storage Unit

Control panel



- ① On/Off ① button
- ② Temperature display for upper zone
- ③ Temperature selector buttons for upper zone (+ for warmer; - for colder)
- ④ Constant humidity (Dynamic cooling) button and indicator light
- ⑤ Safety lock indicator light
- ⑥ Off button for Alarm
- ⑦ Temperature display for lower zone
- ⑧ Temperature selector buttons for lower zone (+ for warmer; - for colder)
- ⑨ Interior lighting button and indicator light

AjMadison
Your Appliance Authority™

800-570-3355

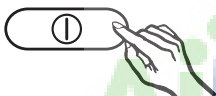
Before using for the first time

- Clean the inside of the appliance and the accessories with a mild solution of warm water and liquid dish soap. Dry with a soft cloth.

After installing the unit, wait at least 30 minutes before switching it on. During transport, the fluids in the refrigeration system may have shifted, and will need some time to settle.

Turning the appliance on

- Open the appliance door.



- Press the On/Off button so that the control panel lights up.

Once on, the alarm will sound and the appliance will start to cool down. When the doors are open, the interior lights come on.

Turning the appliance off

- Press the On/Off button until the control panel goes out.

The cooling system turns off.

If this does not happen, the safety lock is still activated, see "Safety Lock".

Turning off for longer periods of time

If the appliance is not going to be used for a longer period of time (for example, during a vacation) some precautions should be taken.

- Turn the appliance off at the main switch.
- Unplug the appliance.
- Clean the interior.
- Leave the doors open to prevent odors.

Optimum temperature and air quality

Wine will continue to mature depending on the surrounding conditions. The length of time which wine can be kept in good condition will therefore depend not only on the temperature but also on the air quality.

The wine storage unit provides a constant temperature, increased humidity and an odor-free environment, creating the best possible storage conditions for your wine.

Temperature

Wine can be stored at temperatures between 41°F and 64°F (5 - 18°C). If you would like to store red and white wines together, choose a temperature between 50°F and 54°F (10 - 12 °C). Most white wines are palatable at this temperature. It is best to take red wine out of the appliance about 2 hours before drinking. Open the wine to allow it to breathe and to develop its aroma. After 2 hours, red wine will be at the correct temperature for drinking.

Storage temperatures above 72°F (22°C) will cause wines to mature too quickly. By contrast, wine should not be stored below 41°F (5°C), since it will not mature fully at this low temperature.

Fluctuations in temperature put wine under stress and interrupt the maturing process. Therefore, it is important to maintain a constant temperature.

Safety feature

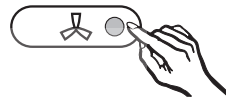
A safety thermostat ensures that the temperature in the unit cannot drop too low. An interior heater keeps the temperature virtually constant.

Insulation panels for thermal separation

The unit has a fixed insulation panel that divides the interior into two sections. The temperature in the two sections can be set individually, so that different types of wines (red and white) can be stored.

Temperature unit (degrees Fahrenheit / degrees Celsius)

The temperature can be displayed in Fahrenheit (°F) or Celsius (°C).



- Press and hold the constant humidity button for approx. 5 seconds.

The button's indicator light flashes, and the temperature display for the lower zone (right display) flashes α .

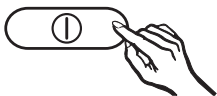


- Press and hold one of the temperature selector buttons (+/-) for the upper zone (left display) until α appears in the display.
- Press the constant humidity button again.

The display will show α .

Optimum temperature and air quality

- Press the temperature selector (+/-) buttons for the upper zone to select either Fahrenheit °F or Celsius °C:
- To save the setting, press the constant humidity button.



- To exit the settings mode, press the On/Off button. Otherwise, the electronics will automatically return to normal mode after approx. 2 minutes.

Setting the temperature

The temperature for each respective zone can be set using the "+ / -" buttons below the temperature displays.



- + button: increases the temperature
- button: decreases the temperature

The temperature being set will flash in the display.

When pressing the buttons, the following changes will appear in the respective temperature display:

- When first pressed: The **last temperature selected** flashes.
- Each subsequent press of the button: adjusts the temperature in increments of 1 °.
- Holding down the button will adjust the temperature continuously.

Approximately 5 seconds after the button is released, the **actual** temperature in the respective zone will be displayed.

The two temperature zones are cooled alternately, so depending on the quantity of wine being stored, it may take several hours for the desired temperature to be reached, and for the temperature display to adjust. If, after this amount of time, the temperature is still too high or too low, you will need to adjust it again.

Temperature range

The temperature in both sections can be set to anywhere between 41°F (5°C) and 68°F (20°C).

Optimum temperature and air quality

Temperature display

During normal operating, the temperature displays indicate the temperatures inside the unit.

The **temperature display will flash** if:

- a different temperature is being set,
- the temperature in one section deviates from the set temperature by more than 5 °.

Setting the temperature display brightness

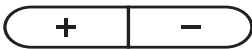
The factory set brightness of the temperature display is set at the lowest setting.

To adjust the brightness of the temperature display (the temperature displays adjust together):



- Press and hold the constant humidity button for approx. 5 seconds.

The indicator light will flash, and the temperature display for the bottom zone (right display) flashes **c**.



- Press and hold **+** or **-** for the upper zone (left display) until **h** appears in the display.

- Press the constant humidity button again.

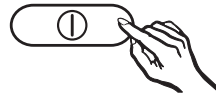
h appears in the display.

- The display brightness cannot be set using the **+** / **-** buttons for the upper temperature zone. You can choose a brightness level from **1** to **5**.

1 : dimmest setting

5 : brightest setting

- To save the setting, press the constant humidity button.



- To exit the settings mode, press the On/Off button. Otherwise, the electronics will automatically return to normal mode after approx. 2 minutes.



Optimum temperature and air quality

Humidity

In a conventional refrigerator, the humidity levels are too low for storing wines. High humidity levels (60 - 70 %) are very important for the storage of wine, so that the corks remain moist. Under low humidity, the corks dry out from the outside and can no longer seal the bottles properly. This is why wine bottles should always be stored lying down, so that the wine can keep the corks moistened from within. If air enters the bottle, a wine will inevitably spoil.

Tip: Wine bottles should stand upright for at least two hours before serving, or, better still whole day long, to enable deposits to settle to the bottom of the bottle.

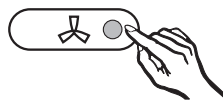
Constant humidity (DynaCool)



This setting allows the relative humidity inside the wine cooler and the temperature to be distributed evenly around the interior so all of the wine is stored under exactly the same optimal conditions.

Turning on

If you would like to use the unit for long-term wine storage, turn on the DynaCool function. This will create a continuous interior climate, equivalent to the conditions of a wine cellar.



- Press the constant humidity button. The indicator light will come on.

Even if you do not turn on the DynaCool function, the fan will still come on automatically when the cooling system comes on. This ensures that the optimal climate for your wine is maintained.

When the door is opened, the fan automatically turns off.

Turning off

- Press the constant humidity button. The indicator light will turn off.

Optimum temperature and air quality

Air exchange through the activate charcoal filter

External air passes through the filter before entering the unit.

The active charcoal filter ensures that only clean, odor-free air enters the unit, creating additional protection against odor contamination.

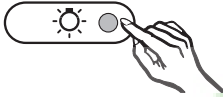
The filter will need to be changed periodically, or when odors are present in the unit. See "Cleaning and Care - Active charcoal filter" for more information.



Do not remove the light covers for the display lighting. Should the lighting covers be damaged or need to be removed due to damage, do not look directly or with an optical instrument at the lighting.

Turning on the interior lighting

Generally, wine should be stored in dark conditions. However, the interior lighting can be turned on to enable you to see the wine stored in the unit.



- Press the interior lighting button.

The lighting for the upper and lower zones are turned on or off simultaneously.

Adjusting the brightness

The brightness of the interior lighting can be adjusted.

- Press and hold the interior lighting button.



- At the same time, press the + or - buttons for the lower zone.
 - + button: to dim the lighting
 - button: to brighten the lighting

Madison
Your Appliance Authority™
800-570-3355

Storing wine bottles

Storage tips

- Always unpack bottles – do not store wine in crates or boxes.
- Any vibration or movement of a wine bottle can interrupt the natural breathing process of the wine, which affects the taste.
- Always lay bottles on their side for storage. This keeps the corks moist from the inside, preventing air from entering.
- Store similar wine varieties beside each other on the same shelf, to avoid restocking and the need to disturbed other bottles.
- Before serving, rosé and red wine bottles should spend at least two hours upright and open, to reach optimal drinking temperature. Sparkling wine and champagnes should be chilled briefly in the refrigerator before serving.
- Remember that wine should always be cooled to slightly lower than the ideal serving temperature, as the temperature increases by 1° to 2° as soon as it is poured into a glass.

Maximum capacity

The unit can hold approx. 38 bottles (0.75 l).

- 15 in the upper zone
- 23 in the lower zone

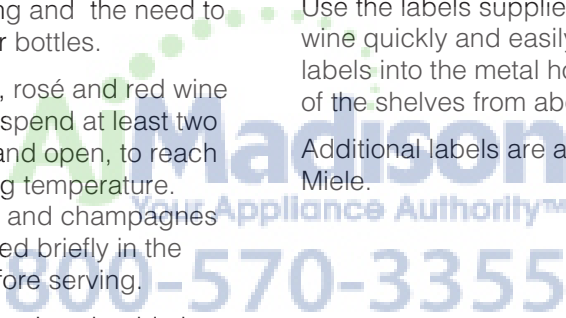
Wooden shelves

The wooden shelves are on runners, and can be pulled out to make it easier to store and remove bottles.

Descriptive labels

Use the labels supplied to identify your wine quickly and easily. Insert the labels into the metal holders at the front of the shelves from above.

Additional labels are available from Miele.



The appliance is equipped with an alarm system, to ensure that the temperature does not rise or fall unnoticed because of energy loss or an open door.

The alarm system is always operational, it does not need to be turned on.

Temperature alarm

An alarm will sound if the temperature in one of the zones rises or falls outside the set temperature range. The temperature display for the affected zone(s) will flash while the alarm sounds.

The set temperature determines when the alarm will activate.

The alarm will sound and the temperature display will flash if:

- when the appliance is turned on the temperature inside the appliance is very different from the set temperature.
- a power failure has occurred.

Door alarm

If the door has been left open for more than approx. 60 seconds, the alarm will sound.

Turning the alarm off early

Once the set temperature has been reached in the appliance, the alarm turn off and the relevant temperature display lights up continuously.

However, if the noise disturbs you, you can turn the alarm off early if you wish.

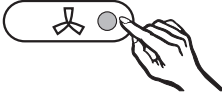


- Press the "Alarm Off" button. The alarm will stop. The relevant temperature display continues to flash until the set temperature is reached. The display then shows a continuous light, and the alarm system is automatically reactivated.

Safety Lock

The safety lock can be activated to prevent the appliance from being turned off inadvertently.

Activating / Deactivating the safety lock



- Press and hold the constant humidity button for approx. 5 seconds.

The constant humidity indicator light will flash, and **c** will flash in the right-hand temperature display.


- Press the constant humidity button again.

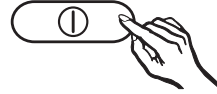
c will light up in the display.



- You can now choose between **c 0** and **c 1** using the **+ / -** button for the upper temperature zone.
0: deactivated
1: activated

- Press the constant humidity button to save the setting.

The safety lock indicator light  will light up when the safety lock is activated.



- Press the On / Off button to come out of the settings mode. If you do not do this, the appliance will automatically switch back to normal operation after a few minutes.

AjMadison
Your Appliance Authority™
800-570-3355

During normal operation, condensate and frost can form on the rear wall of the refrigerator and drawers. You do not need to remove this build-up, it will defrost and evaporate automatically with the heat generated by the appliance.



Cleaning and care

To reduce the risk of electrical shock, disconnect the appliance from the power supply by shutting off the power main, tripping the circuit breaker or unplugging the power cord before maintenance.

Never use cleaning agents containing abrasive substances such as sand, soda, acids, chlorides or chemical solvents. Non-abrasive cleaning agents are also unsuitable, as they can cause matte areas to appear.

Do not allow water to get into the electronic unit or lights.

Do not allow water to get into the drainage channel or drain hole when cleaning.

Do not use a steam cleaner to clean this appliance. Pressurized steam could penetrate electrical components and cause a short circuit.

Before cleaning

- Unplug the power cord.
- Remove any bottles from the appliance and store it in a cool place.
- Take out any removable parts, e.g., shelves.

Cleaning the interior, door and accessories

Use a mild solution of warm water and liquid dish soap. All accessories and shelves should be hand-washed only.

- Clean the condensate channel and drain hole frequently, allowing condensate to drain unhindered. Use a straw or similar item to clear the drain if necessary.
- After washing, wipe down the interior and accessories with a clean wet cloth, then dry with a soft cloth. Leave the appliance door open for a short time, so the moisture can evaporate.
- Clean the appliance door with a glass cleaner.

Ventilation slits

- Check the ventilation slits regularly. Remove any dirt/dust with a vacuum cleaner or brush. Clean as needed.

Door seal

Do not use any oils or grease on the door seals as these will cause the seals to deteriorate and become porous over time.

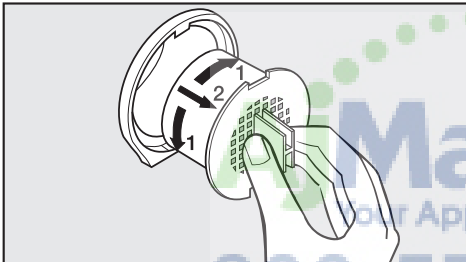
- Clean the door seal with water only and dry thoroughly.

After cleaning

- Return all bottles to the appliance.
- Insert the plug into the power outlet and turn on the appliance at the main switch.

Active charcoal filters

Replacement filters are available from Miele.



- Turn the filters 90° clockwise or counter-clockwise.
- Remove the filters.
- Insert the new filters with the handle in the vertical position.
- Turn the filters 90° clockwise or counter-clockwise until they click into place.

Madison
Your Appliance Authority™
800-570-3355

Frequently asked questions

With the aid of the following guide minor problems can be corrected without a service call.

Repairs should only be carried out by a qualified and trained person in strict accordance with local and national safety regulations. Unauthorized repairs could cause personal injury or machine damage and may void the warranty.

What if the appliance does not get cold?

Possible fault	Solution
The machine is not turned on.	Check whether the appliance is switched on. The display must be lit up.
The machine is not plugged in.	Check that the plug is correctly inserted in the power outlet.
Check that the fuse has not tripped.	Reset the circuit breaker.

What if the compressor kicks on very frequently and for too long?

The ventilation slits are covered or dusty.	Clean with a vacuum or brush.
The door has been opened too frequently.	Once the appliance returns to the set temperature the compressor will turn off.
The door is not closed.	Check that the door has been closed properly.

What if the alarm sounds and the temperature display flashes?

The appliance door has been opened for more than 60 seconds.	Close the door.
The appliance door has been opened too frequently.	One of these conditions has caused the temperature in the appliance to become too warm or cold. Once the alarm condition has been corrected, the temperature display will light up continuously and the alarm will turn off.
The ventilation slits are covered.	
A power failure has occurred.	

Frequently asked questions

What if a bar is lit up or flashing in the temperature display?

Only temperatures within the range of the appliance display can be shown. If the temperature is not within this range, a bar will be displayed instead.

"F0" or "F1" appears in the temperature display.

A fault has occurred. Contact Miele Technical Service.

What if the appliance cannot be turned off?

Possible fault	Solution
The safety lock has been activated.	Deactivate the lock, see "Safety Lock" for more information.

What if the interior lighting is not working?

Contact Miele Technical Service.



Frequently asked questions

The appliance is making noises.		
Issue	Possible fault	Solution
Brrrrr...	Humming noise made by the compressor. This noise can get louder for brief periods when the motor is switching on.	<p>These noises are not a fault.</p> <p>The noise of the compressor and the coolant circulating in the system is unavoidable.</p>
Blubb, blubb....	A gurgling noise can be heard when coolant is circulating through the pipes.	
Click....	Clicking sounds are made when the thermostat switches the compressor on and off.	
Sssrrrrr....	On multi-zone and frost-free appliances you can sometimes just hear the movement of air circulating inside the appliance.	
Rattling, vibrating	The appliance is uneven.	Realign the appliance using a level, by raising or lowering the screw feet underneath the appliance.
	The appliance is touching another appliance or piece of furniture.	Move it away.
	Drawers, baskets or shelves are unstable or sticking.	Check all removable items and refit them correctly.
	Bottles or containers are unstable or knocking against each other.	Separate them.
	The transport cable clips are hanging loose at the back of the appliance.	Remove the clips.

In the event of a fault which you cannot easily fix yourself, please contact the Miele Technical Service Department at the address on the back of this booklet.

When contacting the Technical Service department, please quote the model and serial number of your appliance given on the data plate inside the appliance.

MieleCare

(USA only)

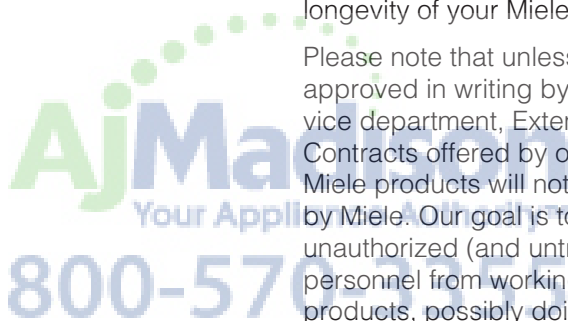
MieleCare, our Extended Service Contract program; gives you the assurance of knowing that your appliance investment is covered by 5 years of worry-free ownership.

MieleCare is the only Extended Service Contract in the industry that guarantees repairs by a Miele Authorized Service Provider using genuine Miele parts. Only genuine Miele parts installed by factory-trained professionals can guarantee the safety, reliability and longevity of your Miele appliance.

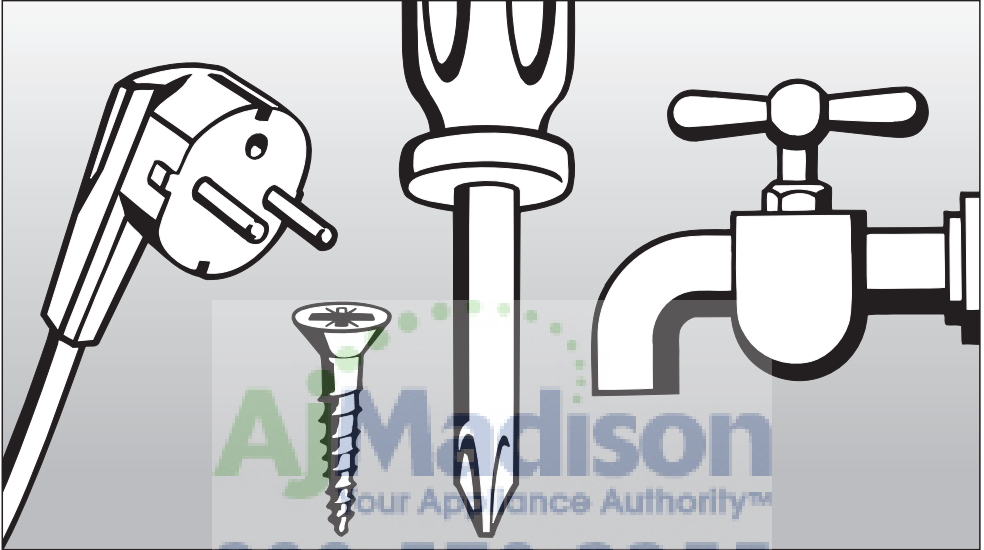
Please note that unless expressly approved in writing by the Miele Service department, Extended Service Contracts offered by other providers for Miele products will not be recognized by Miele. Our goal is to prevent unauthorized (and untrained) service personnel from working on your Miele products, possibly doing further damage to them, you and/or your home.

To learn more about **MieleCare** Extended Service Contracts, please contact your appliance dealer or visit us online at:

<http://miele.com/mielecare>







Installation instructions

To prevent accidents
and machine damage
read these instructions

before
installation or use.

Caring for the environment

Disposal of packing materials

The cardboard box and packing materials are biodegradable and recyclable. Please recycle.

Ensure that any plastic wrappings, bags, etc., are disposed of safely and kept out of the reach of babies and young children. Danger of suffocation!

Disposal of an old appliance

Old appliances contain materials that can be recycled. Please contact your local recycling center about the possibility of recycling these materials.

Before discarding an old appliance, disconnect it from the electrical supply and cut off the power cord to prevent it from becoming a hazard.



In areas with a tropical climate (over 100°F/38°C and more than 70% air humidity) the wine cooler must only be operated in air conditioned locations. Otherwise the function of the machine cannot be guaranteed.

This appliance is top-heavy and must be secured to prevent the possibility of tipping forward.

Location

The appliance should be installed in a dry, well-ventilated room.

The installation location should not be exposed to direct sunlight, nor near a heat source, such as an oven, radiator, etc.

The ambient temperature should not drop below 55 °F (13 °C) or rise above 110 °F (43 °C), otherwise malfunctions may occur.

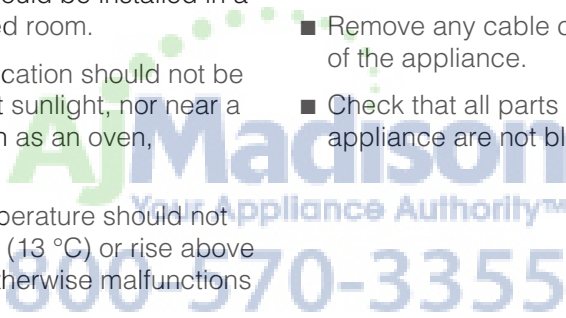
Ventilation

The air at the back of the appliance gets warm. The appliance housing unit must be constructed to allow sufficient space for ventilation.

The air intake and outlet must not be blocked or covered in any way. They also need to be dusted/cleaned on a regular basis.

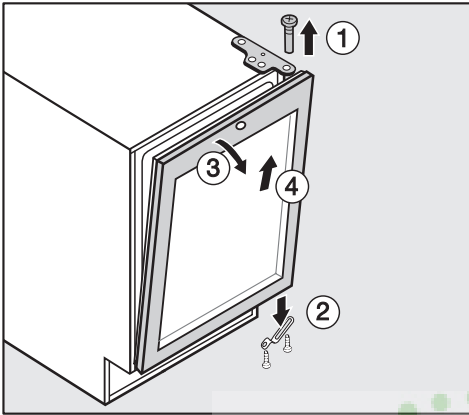
Before installation

- Remove all accessories from the appliance.
- Remove any cable clips from the rear of the appliance.
- Check that all parts at the back of the appliance are not blocked.

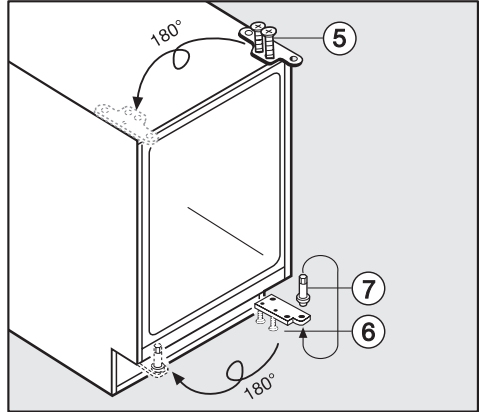


Changing the door hinging

The appliance is supplied right-hand hinged. If left-hand door hinging is required, follow the instructions below.

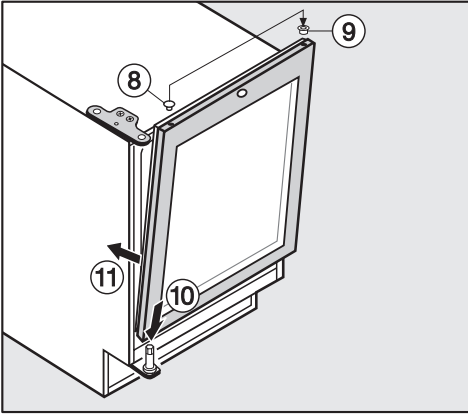


- Close the door, and unscrew the top hinge pin from the door ①.
- Unscrew the bracket ② from underneath the door.
- Tip the door forward slightly ③, and lift it up and off ④.

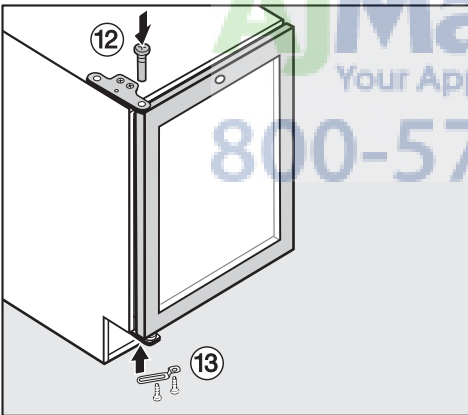


- Unscrew the top hinge plate ⑤, turn it around, and refit it on the opposite side.
- Unscrew the lower hinge plate ⑥.
- Remove the hinge pin ⑦, and replace it in the hinge plate from underneath. Ensure that the hinge pin spacer is positioned correctly.
- Turn the hinge plate around, and refit it on the opposite side.

Changing the door hinging



- Replace the plug ⑧ and the hinge pin guide ⑨ in the top of the opposite door.
- Hang the door on the lower hinge pin ⑩, and close the door ⑪.

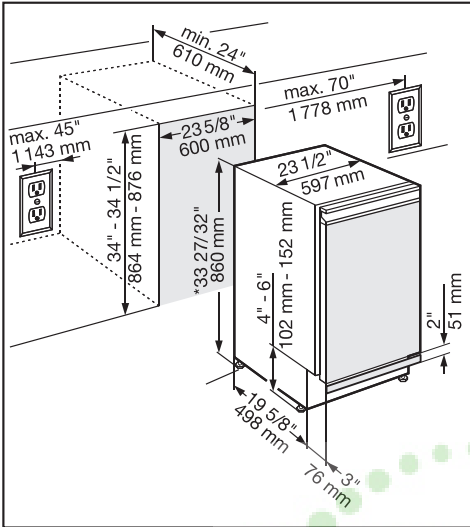


- Refit the top hinge pin ⑫ through the hinge pin plate into the door.
- Refit the bracket ⑬ underneath the appliance by securing one screw in the appliance door and another through the plastic part of the hinge pin plate.

Madison
Your Appliance Authority™
800-570-3355

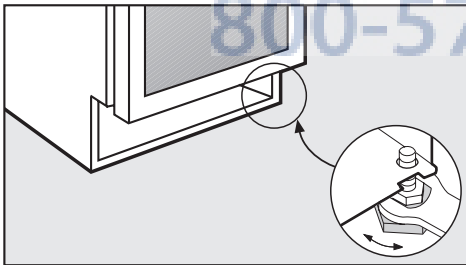
Under-counter installation

Appliance dimensions



* The overall height can be increased by 2" (50 mm) by adjusting the feet.

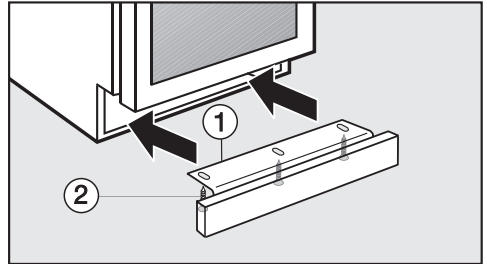
Adjustments



- Use the provided wrench to adjust the feet as needed.

Preparing the appliance

- Carefully tip the appliance backward.

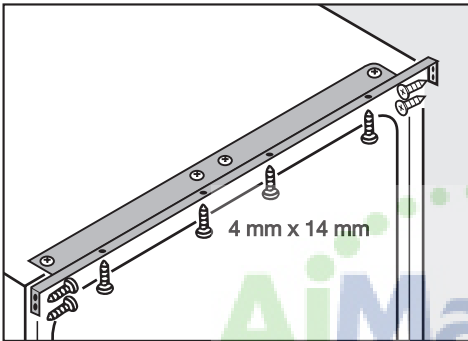


- Attach the toe-kick panel ①, and loosely tighten the screws ②.
- Arrange the panel ① over the long holes in the appliance door recess.
- Tighten the screws ② onto the panel ①.

Fitting the appliance into place

- Slide the appliance into the installation niche.
Ensure that the power cord does not get caught.


Be sure the power outlet remains accessible.



- Using the fixing strip and screws, secure the appliance into place.

AjMadison
Appliance Authority™
800-570-3355

Electrical connection

 Avoid the risk of electrical shock

- Plug into a grounded 3-prong outlet.
- Do not move the ground plug.
- Do not use an adapter.
- Do not use an extension cord.

Failure to follow these instructions can result in death, fire, or electrical shock.

Improper connection of the equipment grounding conductor may result in electric shock. If you are in any doubt as to whether the appliance has been properly grounded, have the appliance checked by a qualified electrician or service technician.

Installation, repairs and other work by unqualified persons could be dangerous. The manufacturer will not be held responsible for damage or injury arising from unauthorized work.

Before installing the appliance, verify that the voltage, load and circuit rating information found on the data plate match the household electrical supply.

The appliance is supplied with a UL-listed, 3-wire power cord and NEMA 5-15 P plug ready for connection to a 120 V, 60 Hz supply. The fuse rating is 15 amps.

The appliance requires a 3-wire receptacle.

The receptacle must be installed by a licensed electrician only.

In the case of side-by-side installations, a separate outlet must be used for each appliance. Ideally, the power outlet should be next to the appliance and easily accessible. Do not connect the appliance to the power supply by an extension cord. Extension cords do not guarantee the required safety of the appliance (danger of overheating).

If any changes are needed to the household wiring or power supply, this work must be performed by a qualified electrician.

If there are any questions regarding the electrical connection of this appliance to the power supply, please consult a licensed electrician or call the Miele Technical Service.

 1-800-999-1360

 1-800-565-6435



**Please have the model and serial number
of your appliance available before
contacting Technical Service.**



**U.S.A.
Miele, Inc.**

National Headquarters

9 Independence Way
Princeton, NJ 08540

Phone: 800-843-7231
609-419-9898

Fax: 609-419-4298
www.miele.com

**Technical Service & Support
Nationwide**

Phone: 800-999-1360
Fax: 888-586-8056

TechnicalService@mieleusa.com

**Canada
Miele Limited**

Headquarters and Showroom

161 Four Valley Drive
Vaughan, ON L4K 4V8

Phone: 800-643-5381
905-660-9936

Fax: 905-532-2290
www.miele.ca

info@miele.ca (general enquiries)
professional@miele.ca (commercial
enquiries)

MieleCare National Service

Phone: 800-565-6435
905-532-2272

Fax: 905-532-2292
customercare@miele.ca (technical
enquiries)