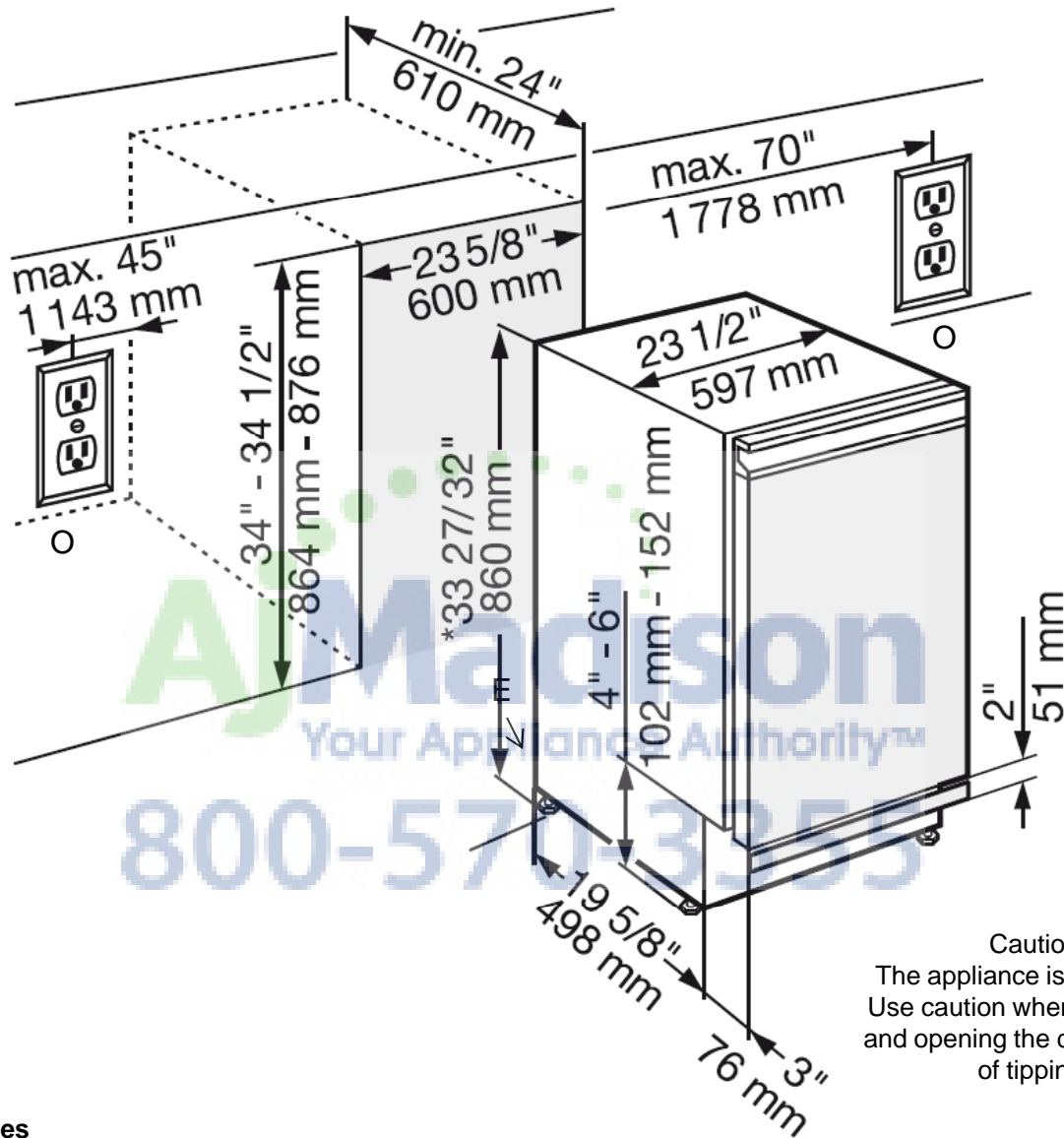


Product and Cut-out Dimensions
KWT 4154 UG-1 Under Counter Wine Storage Unit



Caution
The appliance is top heavy.
Use caution when unpacking
and opening the door, danger
of tipping.

Location Codes

E- 7 foot (2134 mm) – 120 Volt – 15 A 3-wire molded plug power supply connects lower center rear. Plug

O- Standard NEMA 5-15 Outlet



Notes

Supplied right-hand hinged. If left-hand door hinging is required, see install instructions.

In areas with a tropical climate (over 100°F/38°C and more than 70% air humidity) the wine cooler must only be operated in air conditioned locations.

The air intake and outlet must not be blocked or covered in any way.

All installations must be done in accordance with local codes.

Sides of adjoining cabinets should be filled (flush to frame) to insure proper fit and finish.

Drawing is not to scale