

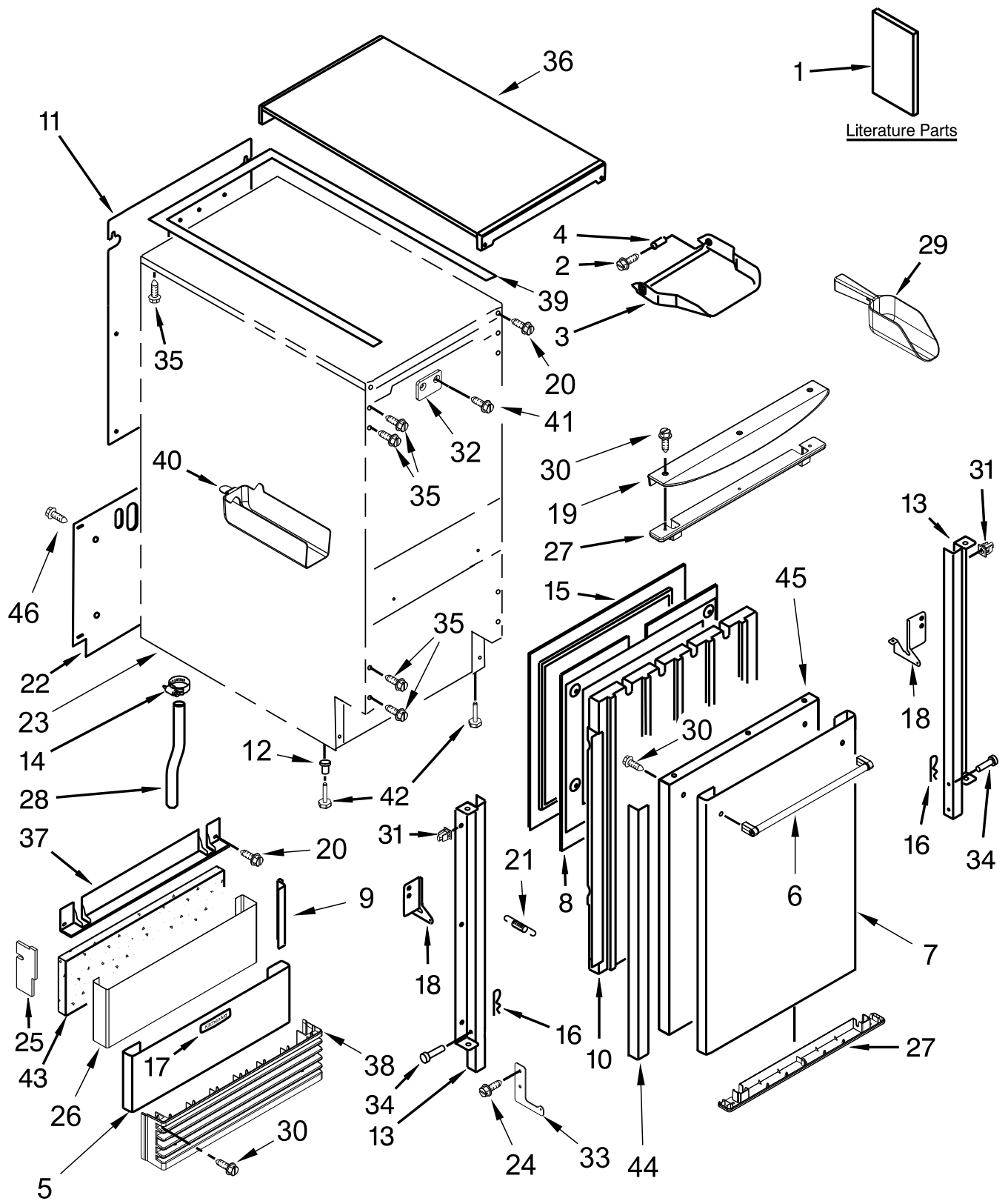
KitchenAid®

ICE CUBE MAKER

MODELS:

KUID308HPS00 (Stainless)

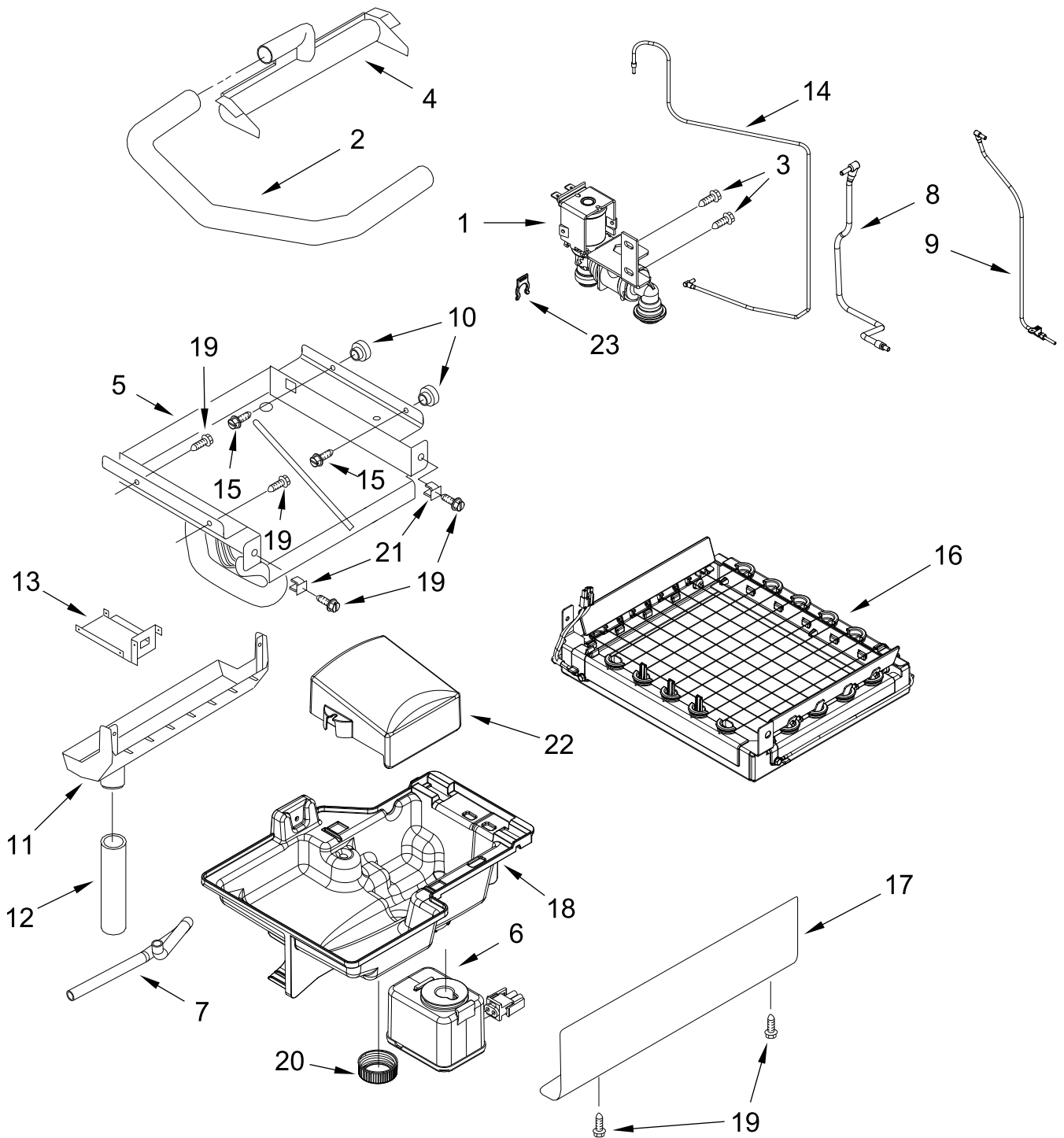
CABINET, DOOR AND LINER PARTS



CABINET, DOOR AND LINER PARTS

| <u>Illus. No.</u> | <u>Part No.</u> | <u>Description</u> | <u>Illus. No.</u> | <u>Part No.</u> | <u>Description</u> | <u>Illus. No.</u> | <u>Part No.</u> | <u>Description</u> |
|-------------------|-----------------|---------------------------|-------------------|-----------------|--------------------------------|-------------------|-----------------|-----------------------------|
| 1 | | Literature Parts | 14 | W10670799 | Clamp, Hose | 31 | 692400 | Screw Grommet |
| | W11246207 | Use & Care Guide | 15 | 2217295 | Gasket, Door | 32 | 2208434 | Strike, Magnet |
| | W10761657 | Tech Sheet | 16 | W10136142 | Clip | 33 | 2208487 | Bracket, Spring |
| | W11255279 | Installation Instructions | 17 | | Nameplate | 34 | 2208417 | Pin, Hinge |
| 2 | 3400886 | Screw (Stainless) | | W10518673 | Stainless | 35 | 489048 | Screw |
| 3 | 2208354 | Bin, Door | 18 | | Hinge | 36 | | Top |
| 4 | 2185678 | Spacer | | 2208425 | Left Hand | | W10320118 | Black |
| 5 | | Panel, Wrap Lower | | 2208426 | Right Hand | 37 | | Endcap, Panel |
| | W11296659 | Stainless | 19 | 2208452B | Assembly, Magnet Endcap | | 2208383B | Black |
| 6 | | Handle, Door | 20 | 489474 | Screw | 38 | | Grill, Front |
| | W10710254 | Stainless | 21 | 2208570 | Spring, Hinge | | 2217206B | Black |
| 7 | | Wrap, Exterior Panel | 22 | W11261690 | Assembly, Unit Cover | 39 | 2217296 | Gasket, Top Panel |
| | W11261635 | Stainless | 23 | | Cabinet & Liner (Not Serviced) | 40 | W10557773 | Holder, Scoop |
| 8 | W10563026 | Panel, Interior | 24 | 488208 | Screw | 41 | 8281191 | Screw |
| 9 | 2208596B | Grommet, Edge Guard | 25 | 2217225 | Pad, Foam | 42 | 3374849 | Leg, Leveling |
| 10 | W11024833 | Insulation | 26 | 2208382B | Panel, Lower (Black) | 43 | 2208384 | Insulation, Lower Panel |
| 11 | W10218024 | Ballast, Back | 27 | | Endcap, Door | 44 | 2208595B | Grommet, Edge Guard (Black) |
| 12 | 3400240 | Nut | | 2208350B | Black | 45 | | Panel, Door (Inner) |
| 13 | | Bracket, Door | 28 | W10737551 | Tube, Drain | | 2208352B | Black |
| | 2217466 | Left Hand | 29 | W10508276 | Scoop | 46 | 489442 | Screw |
| | 2217465 | Right Hand | 30 | W10656499 | Screw | | | |

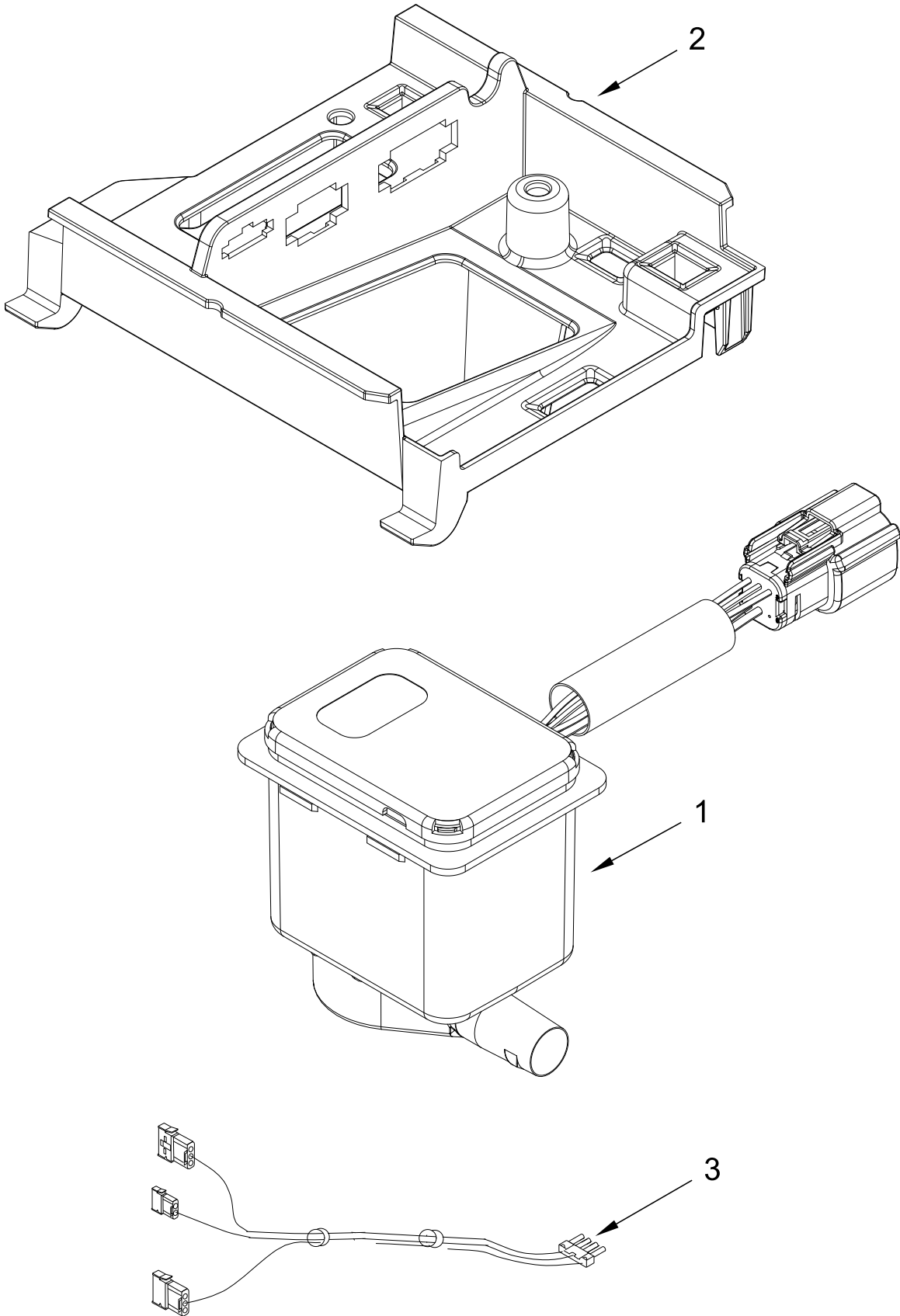
EVAPORATOR, GRID, AND WATER PARTS



EVAPORATOR, GRID, AND WATER PARTS

| <u>Illus.</u> <u>No.</u> | <u>Part No.</u> | <u>Description</u> | <u>Illus.</u> <u>No.</u> | <u>Part No.</u> | <u>Description</u> | <u>Illus.</u> <u>No.</u> | <u>Part No.</u> | <u>Description</u> |
|-----------------------------|-----------------|-----------------------------------|-----------------------------|-----------------|--------------------------|-----------------------------|-----------------|--------------------|
| 1 | W10870921 | Valve, Water (Includes Regulator) | 9 | W11257051 | Tube, Inlet | 16 | W10783275 | Assembly, Grid |
| 2 | W10772963 | Tube, Pump | 10 | 836667 | Spacer | 17 | W10493888 | Cover, Grid |
| 3 | 488208 | Screw | 11 | 2185625 | Reservoir, Water Slide | 18 | W10489142 | Reservoir, Water |
| 4 | 2185523 | Dispenser, Water | 12 | W10635836 | Tube, Water Slide | 19 | 3400884 | Screw (Stainless) |
| 5 | W10218037 | Evaporator | 13 | 2208427 | Bracket, Evaporator Grid | 20 | W10555398 | Cap, Drain |
| 6 | W10489125 | Pump, Reservoir Drain | 14 | W10678300 | Waterline, Valve | 21 | 3400909 | Grommet, Screw |
| 7 | W10539379 | Tube, Reservoir Drain | 15 | 3400886 | Screw (Stainless) | 22 | W10512292 | Cover, Bracket |
| 8 | W10678299 | Waterline, Reservoir | | | | 23 | W10782423 | Locking Ring (1/4) |

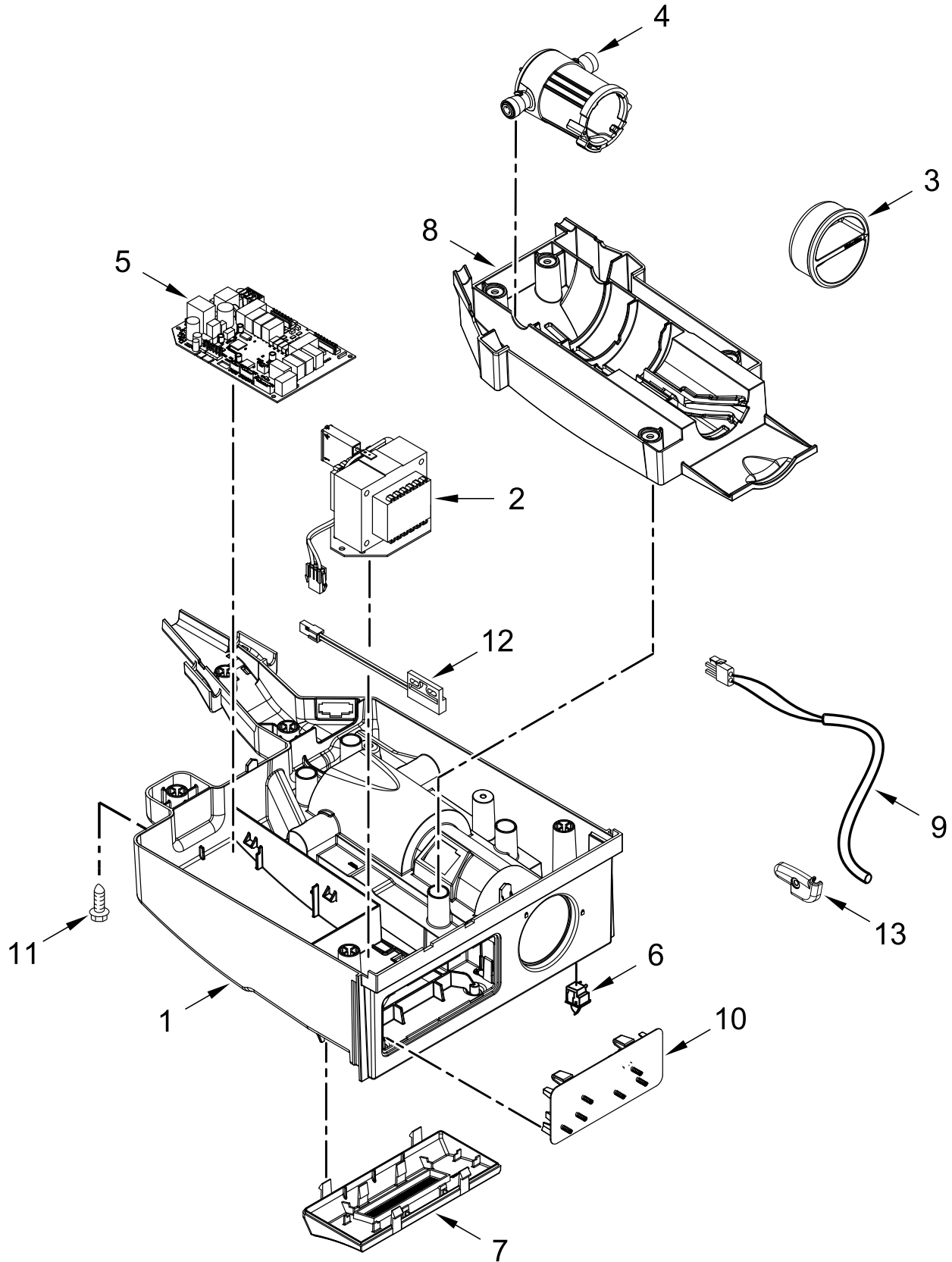
PUMP PARTS



PUMP PARTS

| <u>Illus.</u> <u>No.</u> | <u>Part No.</u> | <u>Description</u> |
|-----------------------------|-----------------|--|
| 1 | W11176264 | Pump, Recirculating (Includes Sensor) |
| 2 | W10489129 | Bracket, Pump |
| 3 | W10764770 | Assembly, Pump Wire |

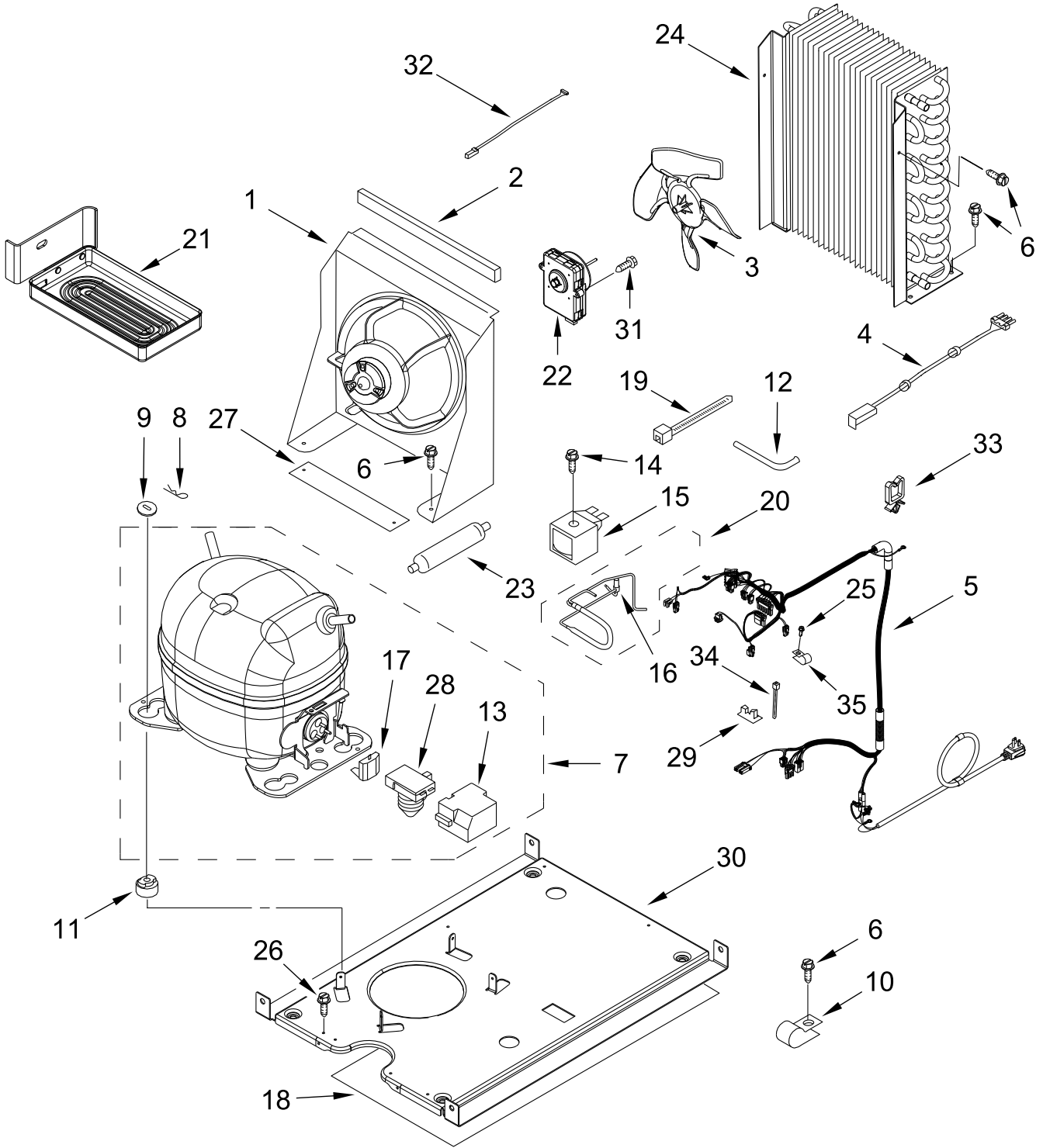
CONTROL PANEL PARTS



CONTROL PANEL PARTS

| <u>Illus.</u> <u>No.</u> | <u>Part No.</u> | <u>Description</u> | <u>Illus.</u> <u>No.</u> | <u>Part No.</u> | <u>Description</u> | <u>Illus.</u> <u>No.</u> | <u>Part No.</u> | <u>Description</u> |
|-----------------------------|-----------------|-----------------------------------|-----------------------------|-----------------|--------------------------|-----------------------------|-----------------|--------------------|
| 1 | W10477560 | Housing, Control | 6 | 12466104 | Switch, Rocker | 11 | 3400884 | Screw (Stainless) |
| 2 | W10485951 | Transformer | 7 | W10492487 | Assembly, Diamond LED | 12 | W10485964 | Switch, Reed |
| 3 | W10800356 | Filter Cap | 8 | W10475416 | Cover, Filter | 13 | W10526623 | Clamp, Thermistor |
| 4 | W11168063 | Assembly, Water Filter Housing | 9 | W10511923 | Thermistor, Bin | | | |
| 5 | W10886282 | Control, Electronic | 10 | W11176270 | Assembly, Control | | | |

UNIT PARTS



UNIT PARTS

| <u>Illus.</u> <u>No.</u> | <u>Part No.</u> | <u>Description</u> | <u>Illus.</u> <u>No.</u> | <u>Part No.</u> | <u>Description</u> | <u>Illus.</u> <u>No.</u> | <u>Part No.</u> | <u>Description</u> |
|-----------------------------|-----------------|---------------------------------|-----------------------------|-----------------|----------------------|-----------------------------|-----------------|--------------------------|
| 1 | 2185532 | Bracket, Fan Mounting | 13 | 2208371 | Cover, Terminal | 29 | 1115375 | Clip, Wiring |
| 2 | 2185675 | Pad, Foam | 14 | 489472 | Screw | 30 | 2217423 | Base, Unit |
| 3 | 2188935 | Blade, Fan | 15 | W10206473 | Coil, Solenoid | 31 | 8281196 | Screw |
| 4 | 2187629 | Jumper, Wire (Condenser Fan) | 16 | 759113 | Body, Solenoid Valve | 32 | W11086824 | Wire Assembly, Jumper |
| 5 | W10917834 | Assembly, Cabinet Wire | 17 | W10783194 | Protector, Overload | 33 | 2223913 | Clip |
| 6 | 304392 | Screw | 18 | W10282061 | Shield, Heat | 34 | 2262071 | Tie, Cable |
| 7 | W10536005 | Compressor | 19 | 851095 | Tie, Wire | 35 | 2185788 | Clamp, Cable |
| 8 | A201435 | Clip, Compressor Mounting | 20 | W10534030 | Valve, Hot Gas | | | REFRIGERANT CHARGE |
| 9 | A201441 | Shim | 21 | W10615506 | Tray, Drip | | | 5.50 oz. (R-134A) |
| 10 | 2185960 | Clamp, Power Cord | 22 | W10909377 | Motor, Condenser Fan | | | |
| 11 | 2217318 | Grommet, Compressor | 23 | W10200037 | Drier | | | |
| 12 | W10528572 | Tube, Process | 24 | 2313624 | Condenser | | | |
| | | | 25 | W10165274 | Screw | | | |
| | | | 26 | 488500 | Screw | | | |
| | | | 27 | 2217397 | Pad, Foam | | | |
| | | | 28 | 2217224 | Device, Start | | | |

OPTIONAL PARTS

PAINT, TOUCH-UP (1/2OZ.)

| <u>Illus. No.</u> | <u>Part No.</u> | <u>Description</u> |
|-------------------|-----------------|-------------------------|
| | 72017 | White |
| | 72032 | Black |
| | W10917540 | Midnight Grey |
| | 511873 | White Porcelain (2 oz.) |
| | 4392899 | Biscuit/Bisque |

PAINT, PRESSURIZED SPRAY (12 OZ.)

| <u>Illus. No.</u> | <u>Part No.</u> | <u>Description</u> |
|-------------------|-----------------|--------------------|
| | 350930 | White |
| | 350939 | Enamel, Black |
| | 285006 | Black |
| | 350942 | White Primer |
| | 4392901 | Biscuit/Bisque |

PAINT, BULK (1 QT.)

| <u>Illus. No.</u> | <u>Part No.</u> | <u>Description</u> |
|-------------------|-----------------|--------------------|
| | 799344 | White (Uncut) |

MISCELLANEOUS

| <u>Illus. No.</u> | <u>Part No.</u> | <u>Description</u> |
|-------------------|-----------------|---|
| | 212643 | Sealer, Gum (4 Feet) |
| | 479502 | Tape, Vinyl (3/4 x 108") |
| | 876370 | Insulation (2 Pieces, 3" x 24" x 48") |
| | 876305 | Insulation Kit (14 Pieces, 3" x 24" x 48") |
| | 978941 | Insulation, Fiberglass (63 1/2" x 35 1/2" x 2 5/8") |
| | 876029 | Kit, Foam Slab (30" x 32 1/2" x 1 1/2") |
| | 505587 | Sealer, Mastic (1 Qt) |
| | 503695 | Cork, Sealer |
| | 20000008 | Cleaner, Stainless Steel |
| | 542638 | Grease, Silicone (1/2 Oz.) |
| | 542639 | Cement, Alumilastic (1 1/4 Oz.) |
| | 833938 | Kit, Terminal Connector |
| | 8003RP | Kit, Water Inlet |

TORX SCREW WRENCH

| <u>Illus. No.</u> | <u>Part No.</u> | <u>Description</u> |
|-------------------|-----------------|--------------------|
| | 1117510 | Torx Key |