

PURCHASER	P.O. #	DATE
PROJECT	LOCATION	
ENGINEER	ARCHITECT	
SUBMITTED BY	FOR APPROVAL	FOR REFERENCE

ITEM	PLAN DESIGNATION	QUANTITY	COOLING BTU/H	VOLTAGE	FRIEDRICH MODEL

### Comfort & Convenience

- Commercial grade durability
- Optional wired wall thermostat
- Built-in programmable 7 day thermostat
- 24 hr. timer
- 3 cooling, heating and fan-only speeds
- Automatic temperature and fan speed adjustment
- Comfortwatch technology samples the air to more accurately maintain the set temperature
- 8-way air flow control
- Auto-changeover from cool to heat, or heat to cool, to maintain desired temperature
- Optional control panel lockout
- Scratch resistant cabinet
- LCD panel auto dims if not in use
- Nightlight mode
- 7 yr. battery provides back up system that saves settings if power is interrupted

### Superior Sound Reduction Technology

- Steel inner wall and extra dense insulation materials block outdoor noise
- Vibration isolating design and components diminish traditional operating noise
- Precision engineering maximizes air flow while delivering ultraquiet operation

### Superior filtration

- Superior fresh air intake and stale air exhaust vent
- Washable, antimicrobial air filter
- Optional premium filter when used in conjunction with standard filter provides superior air filtration with ratings as high as MERV 6, while also adsorbing odors and reducing ozone and VOCs
- Hinged door for easy filter access
- Electronic maintenance indicators include check filter reminder and error code storage

### Installation Features

- Install in a window\* or thru-the-wall
- Slide-out chassis
- Power cord can run either left or right
- Firm grip handles for easier chassis installation and removal
- Front cover attaches easily and securely. Nut driver included.

### Earth Friendly

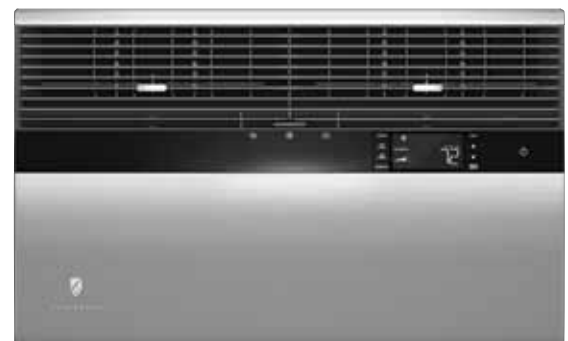
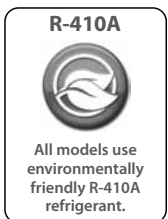
- Auto Fan mode saves money by conserving energy
- 4 ENERGY STAR® qualified models
- Environmentally-friendly R-410A refrigerant used in all models
- Recyclable packaging
- RoHS compliant

### Safety & Security Features

- EntryGard anti-intrusion protection- steel retaining wire secures the chassis to the sleeve to deter 'kick-in' intrusion
- Electrical current protected powercord
- Insect barrier
- Protective rear grille

### Accessories (sold separately)

- Optional designer colored front covers
- 3 pack of premium carbon filters
- Kühl + window installation kits
- Wall thermostat



\*Requires optional window kit. Kits listed on back.

# Specifications

★ ENERGY STAR® qualified

Model	Cooling Capacity Btu	Heating Capacity Btu	Volts Rated	Cooling Amps	Cooling Watts	Heating Amps	Heating Watts	Heating COP	Energy Efficiency Ratio EER	Moisture Removal Pints/HR	Room Side Air Circulation CFM	Sleeve	Net Weight Lbs
<b>Kühl + Heat Pump</b>													
★ YS10M10*	9500	7500	115	7.8	812	7.6	743	3.0	11.7	1.9	285	S	109
★ YS12M33	12100/12100	9400/9000	230/208	5.2/5.4	1120/1120	5.6/5.8	1132/1139	2.4	10.8/10.8	3.0	265	S	115
★ YM18M34	18200/17800	15500/15400	230/208	8.5/8.9	1838/1798	8.5/8.7	1833/1761	2.6	9.9/9.9	5.4	370	M	141
★ YL24M35	24000/23600	23500/23200	230/208	11.1/12.0	2474/2433	12.2/14.3	2610/2575	2.6	9.7/9.7	7.0	600	L	197
<b>Kühl + Electric Heat</b>													
ES12M33	11700/11200	10700/8900	230/208	4.8/4.9	1026/982	16.0/14.7	3500/2900	3.3	11.4/11.4	2.8	275	S	113
ES15M33	14500/14300	10700/8900	230/208	6.4/6.8	1405/1385	16.0/14.7	3500/2900	3.0	10.3/10.3	3.5	360	S	117
EM18M34	17500/17200	13000/10600	230/208	7.4/8.0	1635/1617	19.5/17.0	4200/3500	3.1	10.7/10.7	4.6	350	M	141
EM24M34	23500/23300	13000/10600	230/208	11.2/11.9	2500/2479	19.5/17.0	4200/3500	3.1	9.4/9.4	10.0	390	M	153
EL36M35	36000/35700	17300/14300	230/208	19.0/20.5	4235/4200	24.0/22.4	5500/4650	2.5	8.5/8.5	12.0	725	L	213

## Installation Information / Sleeve Dimensions

Sleeve	Sleeve Dimensions		Depth with Front A	Shell Depth to Louvers B	Minimum Extension Into Room*	Minimum Extension Outside*	Window Width		Thru-the-wall Installation Finished Hole		
	Height	Width					Minimum**	Maximum	Height	Width	Max. Depth C
S	15 15/16"	25 15/16"	29"	8 3/4"	5 3/4"	16 15/16"	27 3/8"	42"	16 3/16"	26 3/16"	7 3/8"
M	17 15/16"	25 15/16"	29"	8 3/4"	5 3/4"	16 15/16"	27 3/8"	42"	18 3/16"	26 3/16"	7 3/8"
L	20 3/16"	28"	35 1/2"	16 1/2"	5 3/8"	18 15/16"	29 7/8"	42"	20 3/8"	28 1/4"	15 1/8"

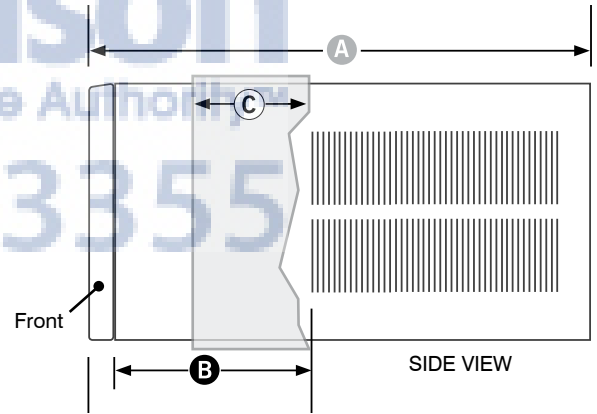
\* Minimum extensions when mounted in a window.

\*\* Minimum widths achieved using one side curtain assembly as opposed to both in a standard installation.

NOTE: S,M and L sleeves may be installed in window with no side kits if properly installed.

## Circuit Rating/ Breaker

Model	Circuit Rating Breaker or T-D Fuse	Plug Face (NEMA#)	Power Cord Length (ft.)	Wall Outlet Appearance
YS10M10.	125V - 15A	5 - 15P	6	
ES12M33 and ES15M33. YS12M33.	250V - 20A	6 - 20P	4	
EM18M34, EM24M34 and EL36M35. YM18M34 and YL24M35.	250V - 30A	6 - 30P	4	



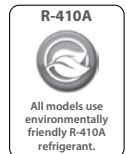
## Premium Carbon Filters (3 pack)

Model	Kit No.
All ES and YS Models	KWCFS
All EM and YM Models	KWCFM
All EL and YL Models.	KWCFL

## Window Mounting Kits

Heat/Cool Models	Kit No.
ES12M33, ES15M33, YS10M10 and YS12M33.	KWIKS
EM18M34, EM24M34, YM18M34.	KWIKM
EL36M35 and YL24M35.	KWIKL

NOTE: Kits are required for window installation.



Friedrich room air conditioners are designed to operate in outdoor temperatures from 60° F to 115° F.

Due to continuing research in new energy-saving technology, specifications are subject to change without notice.

As an ENERGY STAR® partner, Friedrich Air Conditioning Co. has determined that the selected ENERGY STAR® (★) models meet the ENERGY STAR® guidelines for energy efficiency.

The consumer- through the AHAM Room Air Conditioner Certification Program- can be certain that the AHAM Certification Seal accurately states the unit's cooling and heating capacity rating, the amperes and the energy efficiency ratio.

