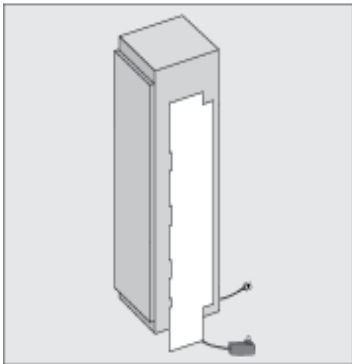


MasterCool Refrigeration
Side-by-Side Merging Combinations
For Vi Models

KSK 1003



Side-by-Side Merging Kit KSK 1003



SPECIFICATIONS

KSK 1003 – Item 10562720

Electrical

Power Cord Direct connection to left-standing appliance

Support

Call Miele (800) 999-1360

Miele Website www.mieleusa.com

20/20 Link 2020technologies.com

This merging kit should be used for side-by-side installation of the following models:

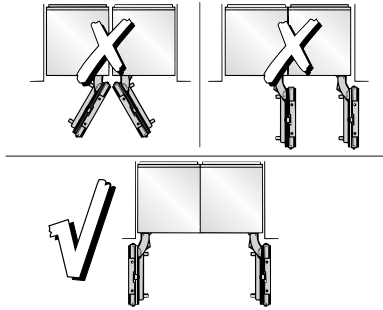
- K 18x1 Vi, K 19x1 Vi, K 18x3 Vi, K 19x3 Vi
- F 14x1 Vi, F 18x1 Vi, F 19x1 Vi, F 14x3 Vi, F 18x3 Vi, F 19x3 Vi
- KF 18x1 Vi, KF 19x1 Vi, KF 18x3 Vi, KF 19x3 Vi
- KWT 16x1 Vi, KWT 16x3 Vi

Side-by-Side Merging Kit KSK 1003



Side-by-side

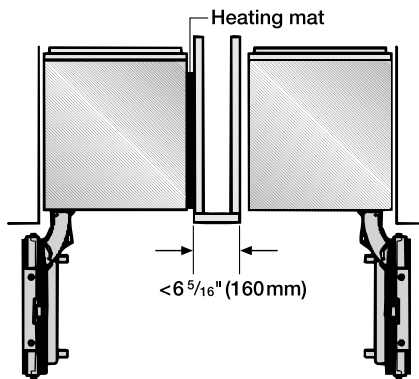
... without partition



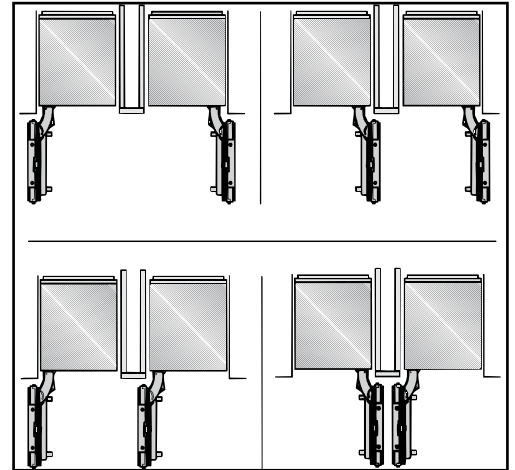
If the appliances are installed directly next to each other (without a partition), they need to be attached together. A heating mat must also be installed. This will help avoid condensation and prevent damages.

... with partition

If there is a partition with a thickness **less than 6 5/16" (160 mm)** between the adjacent appliances, then each appliance should be individually installed within its own niche using the mounting accessories included.



In this case, you will only need the heating mat from the "Merging kit" to avoid condensation and prevent damages.



HEATING MAT TRANSFORMER PLUG DETAILS FOR KSK 1003



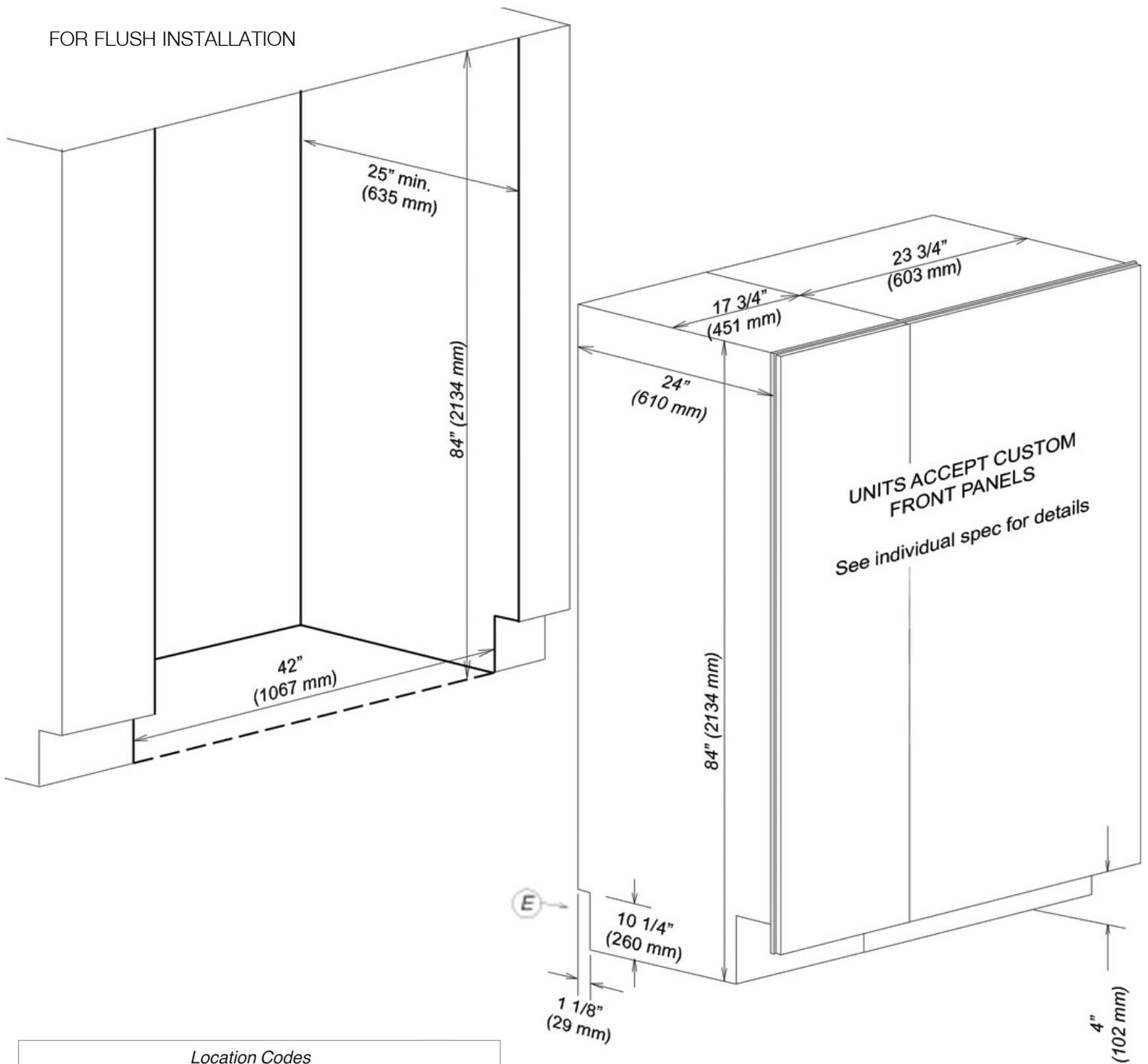
Location Codes

- *KSK 1003- Heating mat connects directly to left-standing appliance*

Notes

- *Merging kit must be used when combining units*
- *All installations must be done in accordance with local codes*

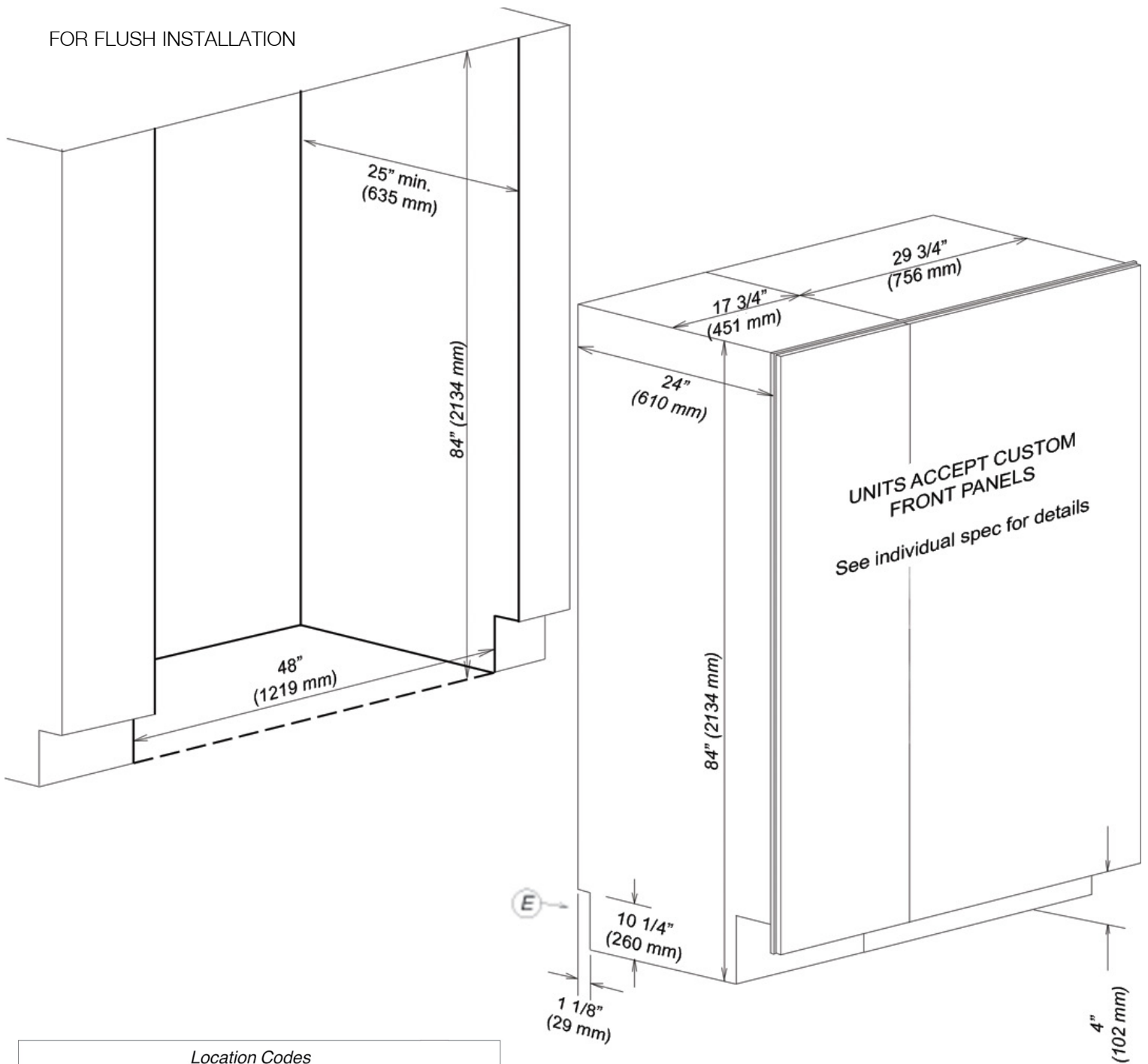
Product and Cut-out Dimensions 42" Side-by-Side Combination



Location Codes
E- power cord for refrigeration unit- 5 foot- NEMA 5-15 molded plug power supply connects lower left rear of units
Notes
<ul style="list-style-type: none"> • Merging kit must be used when combining units • All installations must be done in accordance with local codes • Sides of adjoining cabinets should be filled (flush to frame) to insure proper fit and finish • For Proud Installation - please adjust accordingly

*Depth assumes a 3/4" panel, please adjust according to custom panel thickness

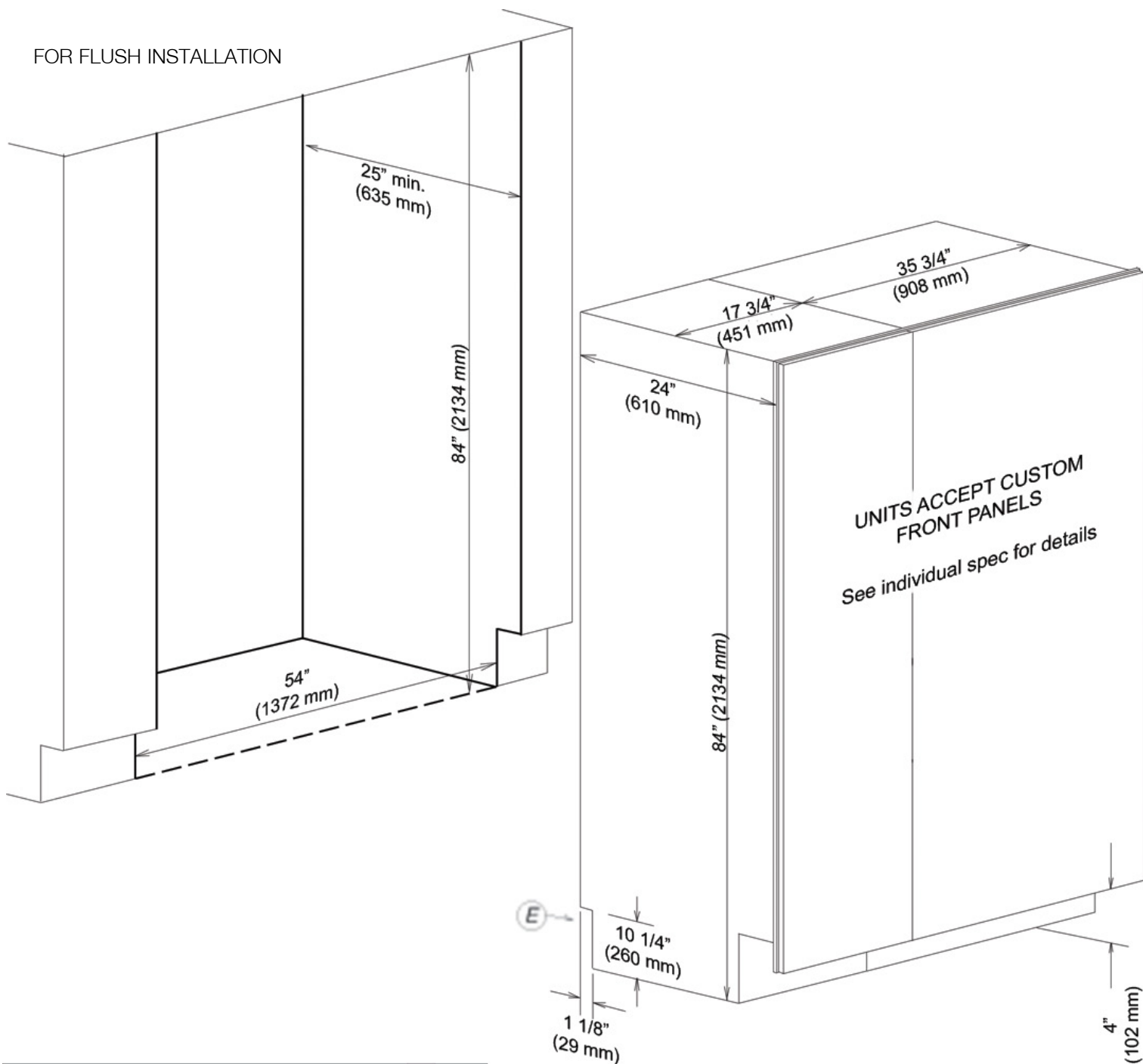
Product and Cut-out Dimensions 48" Side-by-Side Combination



Location Codes
E- power cord for refrigeration unit- 5 foot- NEMA 5-15 molded plug power supply connects lower left rear of units
Notes
<ul style="list-style-type: none"> • Merging kit must be used when combining units • All installations must be done in accordance with local codes • Sides of adjoining cabinets should be filled (flush to frame) to insure proper fit and finish • For Proud Installation - please adjust accordingly

*Depth assumes a 3/4" panel, please adjust according to custom panel thickness

Product and Cut-out Dimensions 54" Side-by-Side Combination



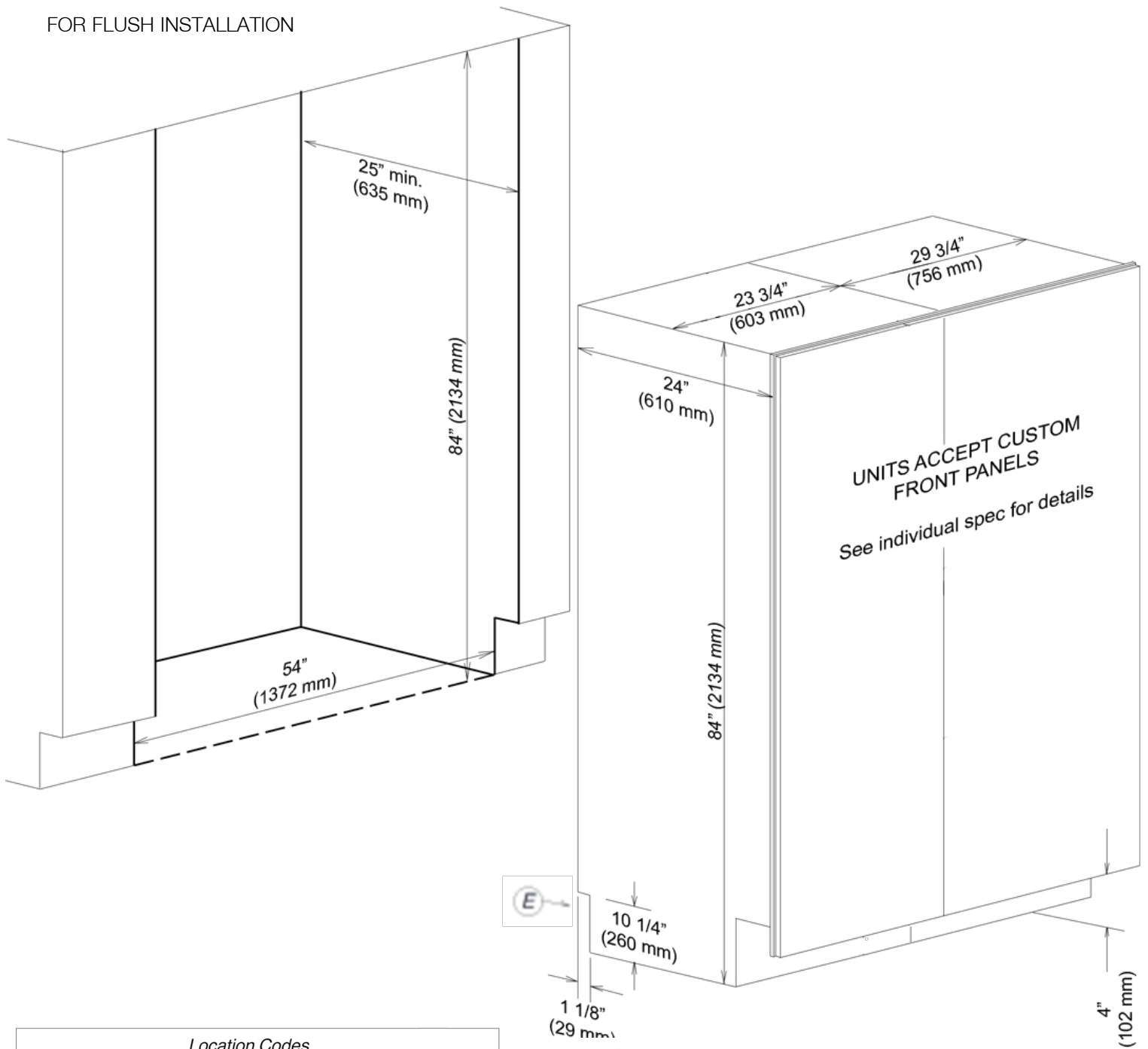
Location Codes
E- power cord for refrigeration unit- 5 foot- NEMA 5-15 molded plug power supply connects lower left rear of units
Notes
<ul style="list-style-type: none"> • Merging kit must be used when combining units • All installations must be done in accordance with local codes • Sides of adjoining cabinets should be filled (flush to frame) to insure proper fit and finish • For Proud Installation - please adjust accordingly

*Depth assumes a 3/4" panel, please adjust according to custom panel thickness

Product and Cut-out Dimensions 54" Side-by-Side Combination



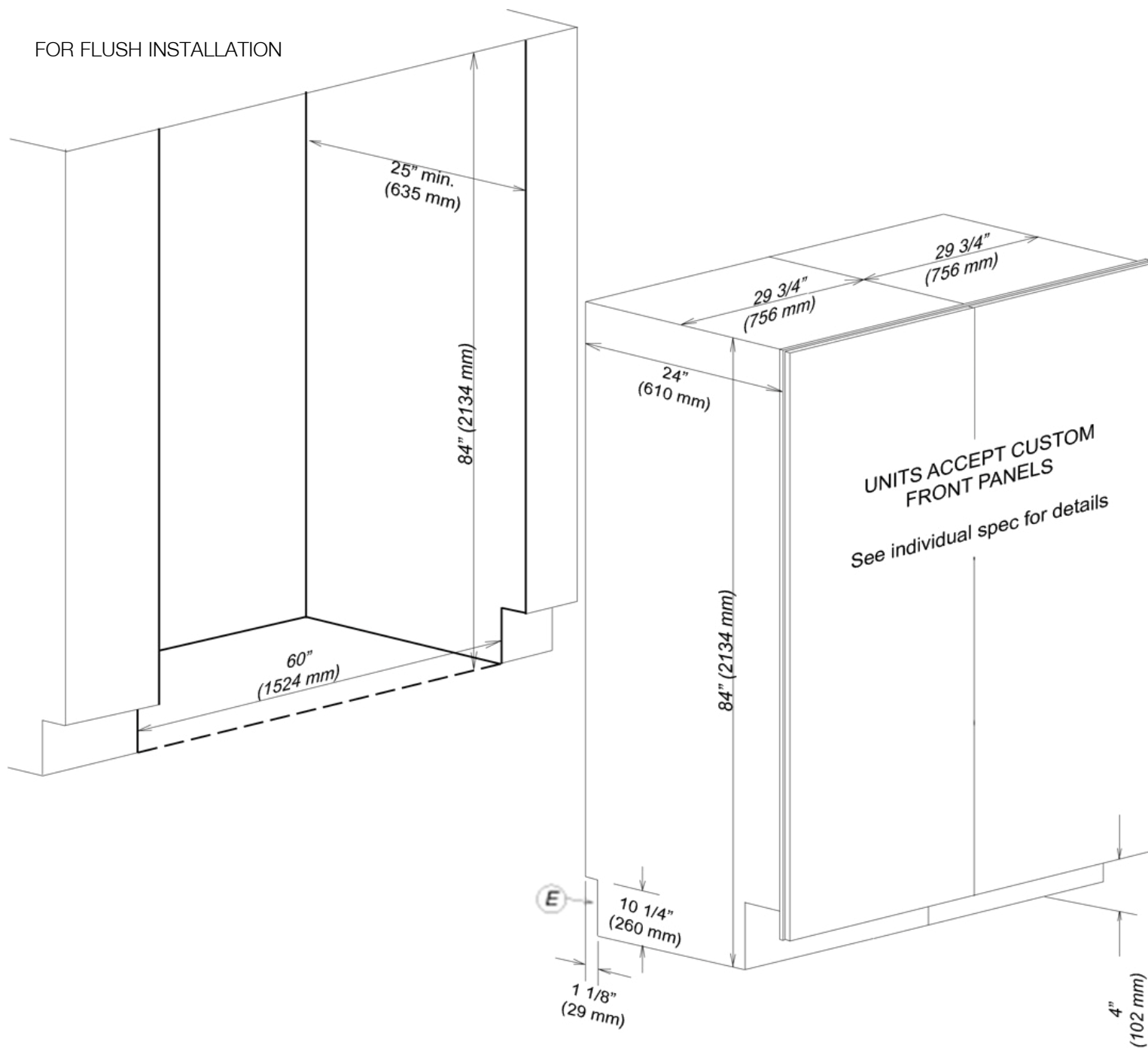
FOR FLUSH INSTALLATION



Location Codes
E- power cord for refrigeration unit- 5 foot- NEMA 5-15 molded plug power supply connects lower left rear of units
Notes
<ul style="list-style-type: none"> • Merging kit must be used when combining units • All installations must be done in accordance with local codes • Sides of adjoining cabinets should be filled (flush to frame) to insure proper fit and finish • For Proud Installation - please adjust accordingly

*Depth assumes a 3/4" panel, please adjust according to custom panel thickness

Product and Cut-out Dimensions 60" Side-by-Side Combination



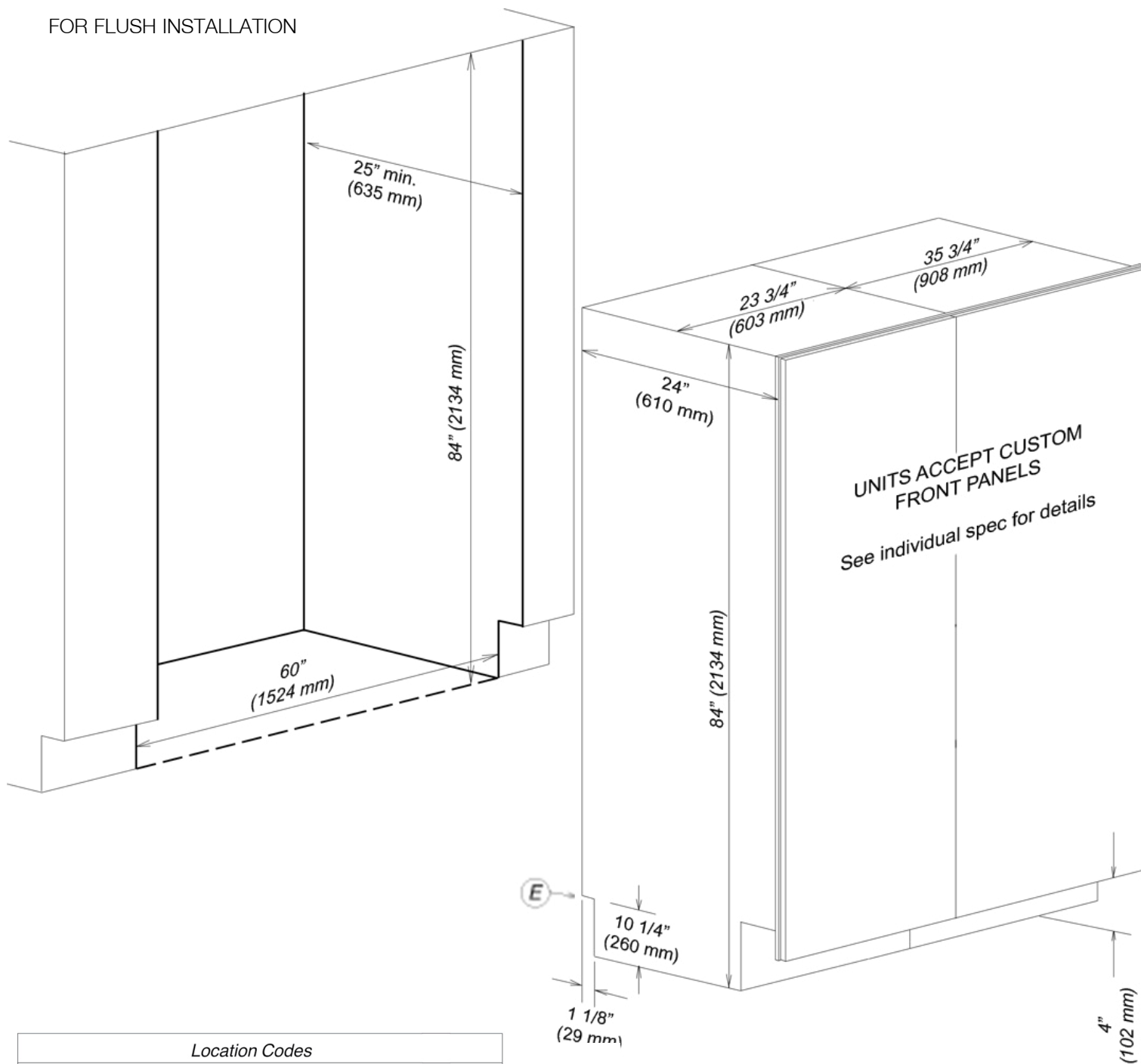
Location Codes
E- power cord for refrigeration unit- 5 foot- NEMA 5-15 molded plug power supply connects lower left rear of units
Notes
<ul style="list-style-type: none"> • Merging kit must be used when combining units • All installations must be done in accordance with local codes • Sides of adjoining cabinets should be filled (flush to frame) to insure proper fit and finish • For Proud Installation - please adjust accordingly

*Depth assumes a 3/4" panel, please adjust according to custom panel thickness

Product and Cut-out Dimensions 60" Side-by-Side Combination



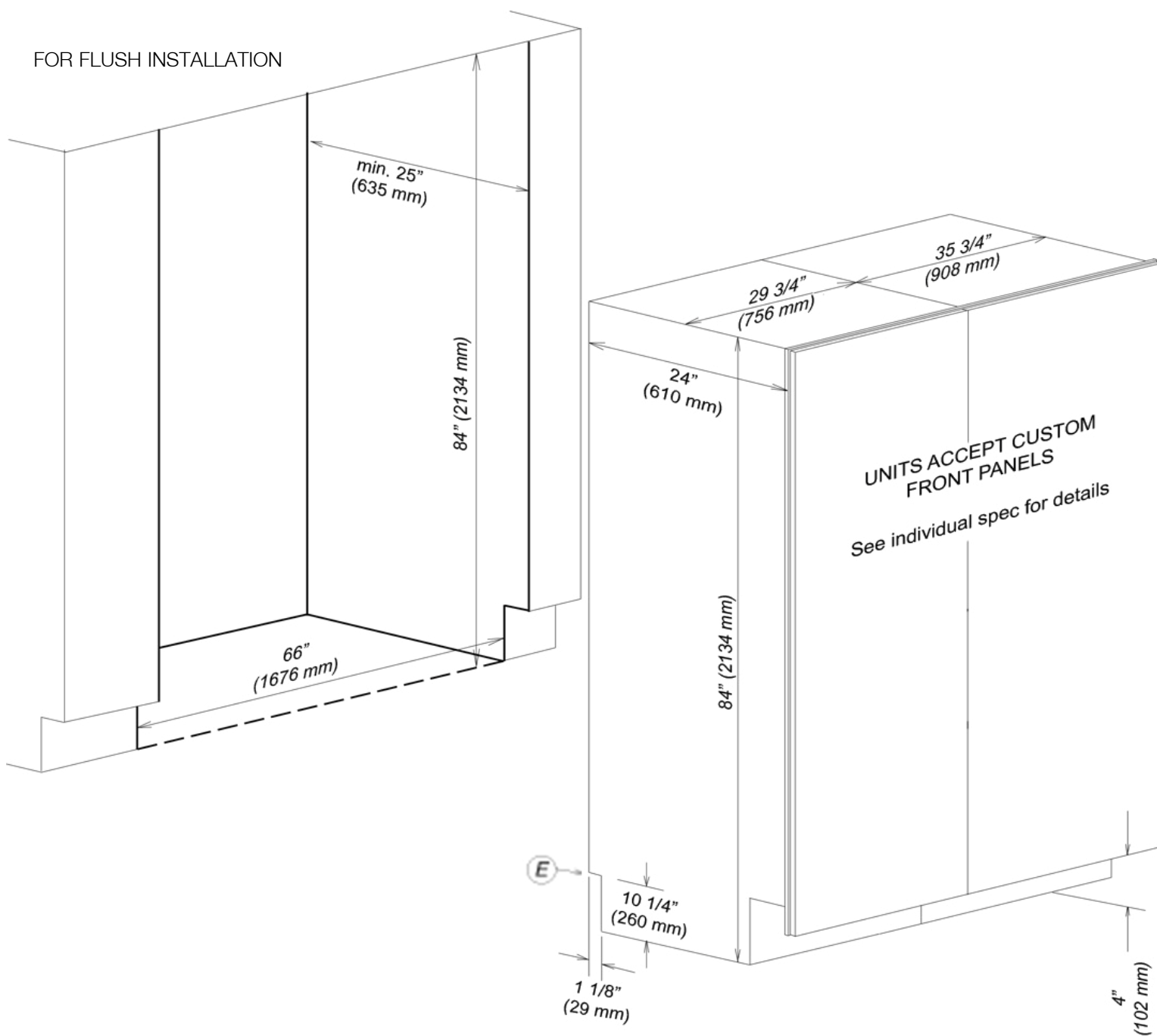
FOR FLUSH INSTALLATION



Location Codes
E- power cord for refrigeration unit- 5 foot- NEMA 5-15 molded plug power supply connects lower left rear of units
Notes
<ul style="list-style-type: none"> • Merging kit must be used when combining units • All installations must be done in a accordance with local codes • Sides of adjoining cabinets should be filled (flush to frame) to insure proper fit and finish • For Proud Installation - please adjust accordingly

*Depth assumes a 3/4" panel, please adjust according to custom panel thickness

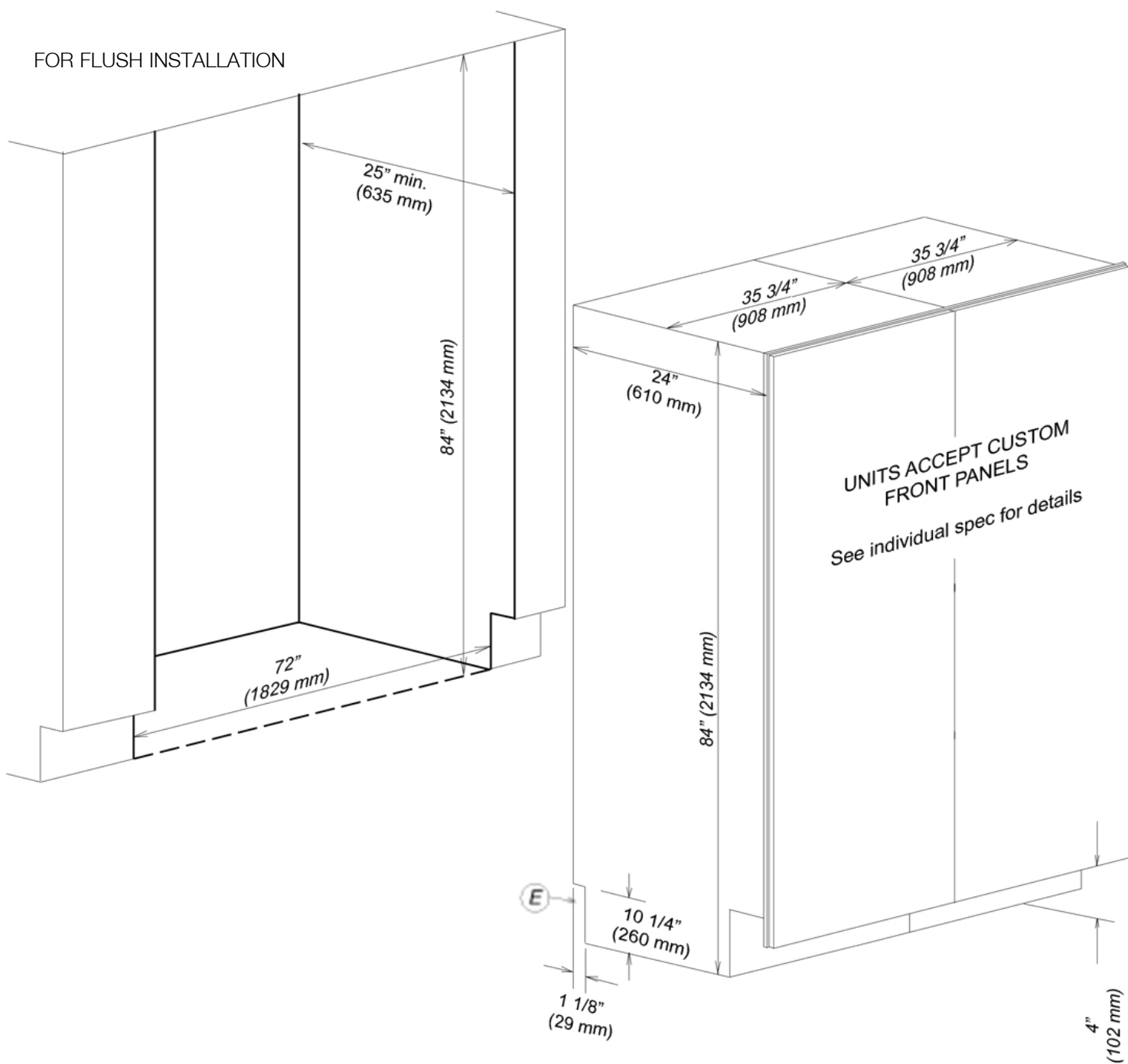
Product and Cut-out Dimensions 66" Side-by-Side Combination



Location Codes
E- power cord for refrigeration unit- 5 foot- NEMA 5-15 molded plug power supply connects lower left rear of units
Notes
<ul style="list-style-type: none"> • Merging kit must be used when combining units • All installations must be done in accordance with local codes • Sides of adjoining cabinets should be filled (flush to frame) to insure proper fit and finish • For Proud Installation - please adjust accordingly

*Depth assumes a 3/4" panel, please adjust according to custom panel thickness

Product and Cut-out Dimensions 72" Side-by-Side Combination



Location Codes

E- power cord for refrigeration unit- 5 foot- NEMA 5-15 molded plug power supply connects lower left rear of units

Notes

- Merging kit must be used when combining units
- All installations must be done in accordance with local codes
- Sides of adjoining cabinets should be filled (flush to frame) to insure proper fit and finish
- For Proud Installation - please adjust accordingly

*Depth assumes a 3/4" panel, please adjust according to custom panel thickness