

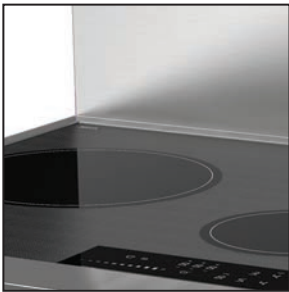
STANDARD FEATURES



36" INDUCTION RANGES

- Powerful, energy-efficient induction burners only heat up cooking surface area under cookware.
- Precision temperature control delivers consistent cooking results.
- Industry exclusive Marquise Accented™ glass cooking surface presents an authentic visual connection to the Hestan design integrity.
- Slide touch controls offer smooth, precise selection of power.
- Low simmer allows for gentle cooking for even the most delicate of sauces.
- Cookware detection system safely shuts off induction burners when cookware is removed. When cookware is returned, original temperature setting is reestablished.

Slide Touch Control



MarquiseDisplay™



Back-lit knobs



- Locking feature provides additional safety and peace of mind.
- 2 Timer functions allow for an independent timer or a timer for each individual cooking zone from 1 to 59 minutes.
- Automatic Power Boost heating function allows for elements to heat up more quickly to the desired heat setting.
- Residual heat indicator warns the user that the glass is still hot in the cooking zone after use.
- Bridge function for elongated pans.
- Audible alerts and feedback provide certainty of control interface.
- Warming function maintains low temperature for extended periods.
- Exclusive PureVection™ technology, electronically controls multiple heating elements and convection systems, to optimize baking, broiling, roasting, convection baking and self cleaning processes.
- 5.8 Cu. Ft heavy duty, porcelain enameled oven cavity interior for even heat distribution. Concealed bake, broil, and convection elements designed for ease of cleaning and more usable capacity.
- MarquiseDisplay™ patent-pending touch control oven display is discreetly and conveniently located in Marquise Accented™ oven door handle. Time, modes and temperature are elegantly displayed.
- Gentle-close door feature is counterbalanced and equipped with a shock absorption system for stable, assisted closing of the door and smooth, effortless access.
- Distinctly angled oven door, commercial-grade Zamak die-cast end caps and Marquise Accented™ handle are ergonomically designed for ease of opening and closing of oven door.
- Extra-wide glass oven window provides improved viewing area while keeping temperatures outside cool to touch.
- Soft-on and off oven interior lighting.



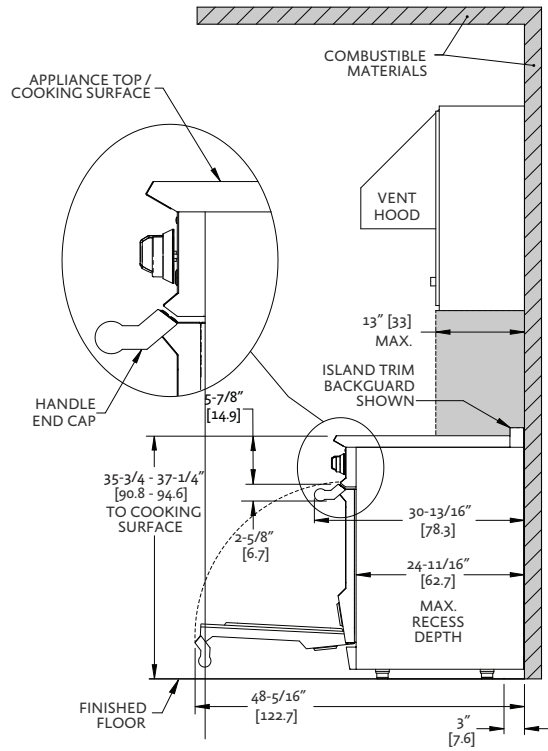
*KRI36 with 10" KBGLB 36
optional backguard
Model Shown*

- Three full-extension, telescopic professional oven racks with six position rack supports, glide easily for convenient access.
- Standard meat probe for accurate temperature measurement.
- Elegantly backlit control knobs add functionality and brilliant illumination.
- Zamak die-cast oven control knobs.
- Comes standard with Island Trim.
- Available in black glass only.

OPTIONS & ACCESSORIES

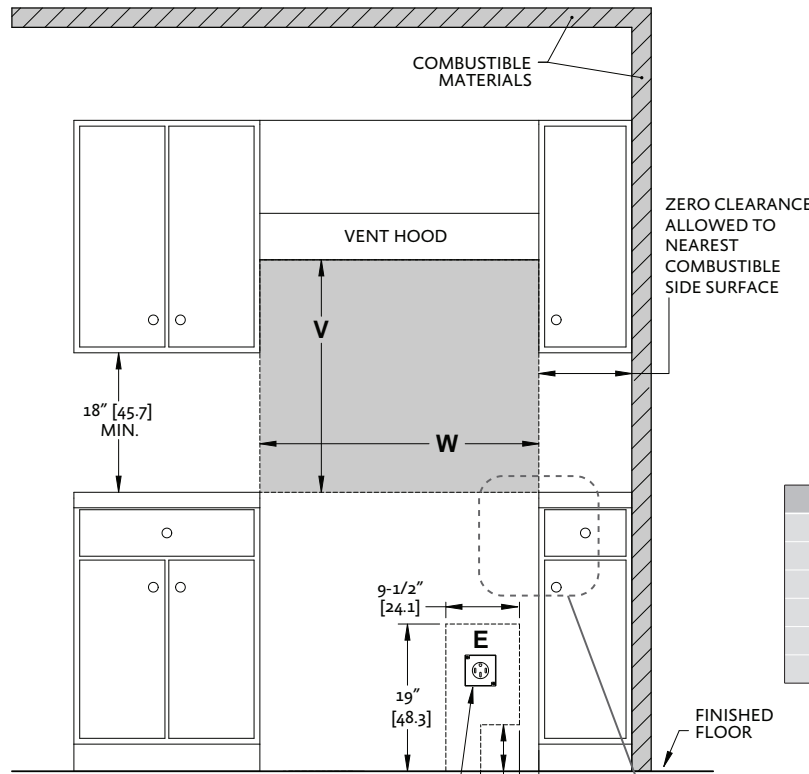
- Available in 12 Hestan signature color finishes
- Backguards : Low Back 10" and High Shelf 20"

INSTALLATION CLEARANCES - ALL BACKGUARDS

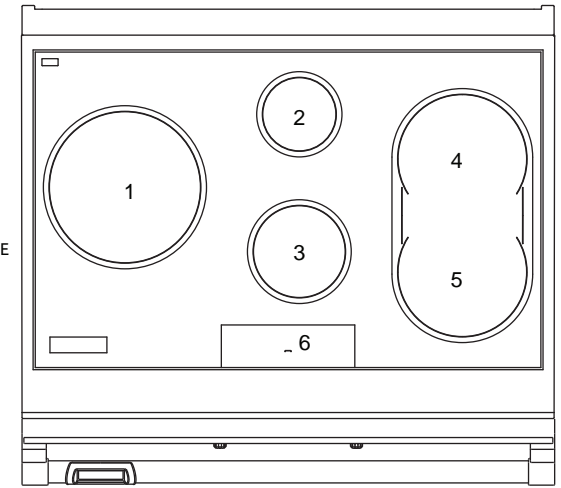


SIDE VIEW

INSTALLATION CLEARANCES 36" - ALL BACKGUARDS



FRONT VIEW



Key	Induction element size & power rating		
1	10-1/4"	[260 mm]	- 2600W (Booster 3700W)
2	5-3/4"	[145 mm]	- 1400W (Booster 2200W)
3	7"	[180 mm]	- 1850W (Booster 3000W)
4	7-1/2" x 8-3/4"	[185 mm x 220 mm]	- 2100W (Booster 3700W)
5	7-1/2" x 8-3/4"	[185 mm x 220 mm]	- 2100W (Booster 3700W)
6	touch control		

DIMENSIONS IN BRACKETS [] ARE IN CM.

RANGE MODEL	W	V (MIN)
KR136	36" [91.4]	30" [76.2]

ELECTRICAL REQUIREMENTS:

208/240V, 60Hz, 50 amps

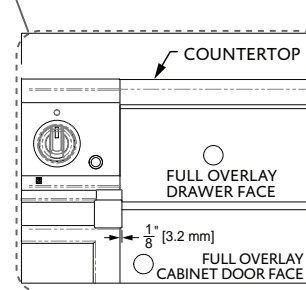
Hestan Indoor products are approved for indoor use only. Hestan Commercial Corporation reserves the right to change materials and specifications without notice. Please reference our Installation Instructions for more elaborate detail and as the main source in your dimensional planning.

DIMENSIONS IN BRACKETS [] ARE IN CM.

LOCATION OF GAS AND ELECTRICAL ON FLOOR

NOTES:

- SHADED AREAS INDICATE WHERE COMBUSTIBLE MATERIALS ARE NOT ALLOWED.
- APPLIANCE TOP MUST BE LEVEL OR HIGHER THAN THE ADJACENT COUNTERTOP SURFACES.
- "E" IS ELECTRICAL SUPPLY ZONE.
- "W" IS APPLIANCE OPENING.
NOTE: HANDLE END CAPS PROTRUDE 1/8" BEYOND EACH SIDE OF THE RANGE. ALLOWANCE MAY BE NEEDED FOR ADJACENT DRAWERS OR CABINETRY.
- "V" IS MIN. CLEARANCE TO VENTILATION HOOD.



ALL Models	Description	Cutout Dimensions		Circuit Breaker Req	Approx SHP WT (lbs)
		W (in.)	D (in.)		
KR136	36" Induction Range with 5 Elements	36"	24-1/2"	50 Amp	490

