

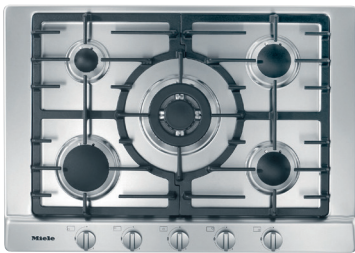
## 30" 5-Burner Gas Cooktop

KM 2032 G



## 30" 5-Burner Gas Cooktop

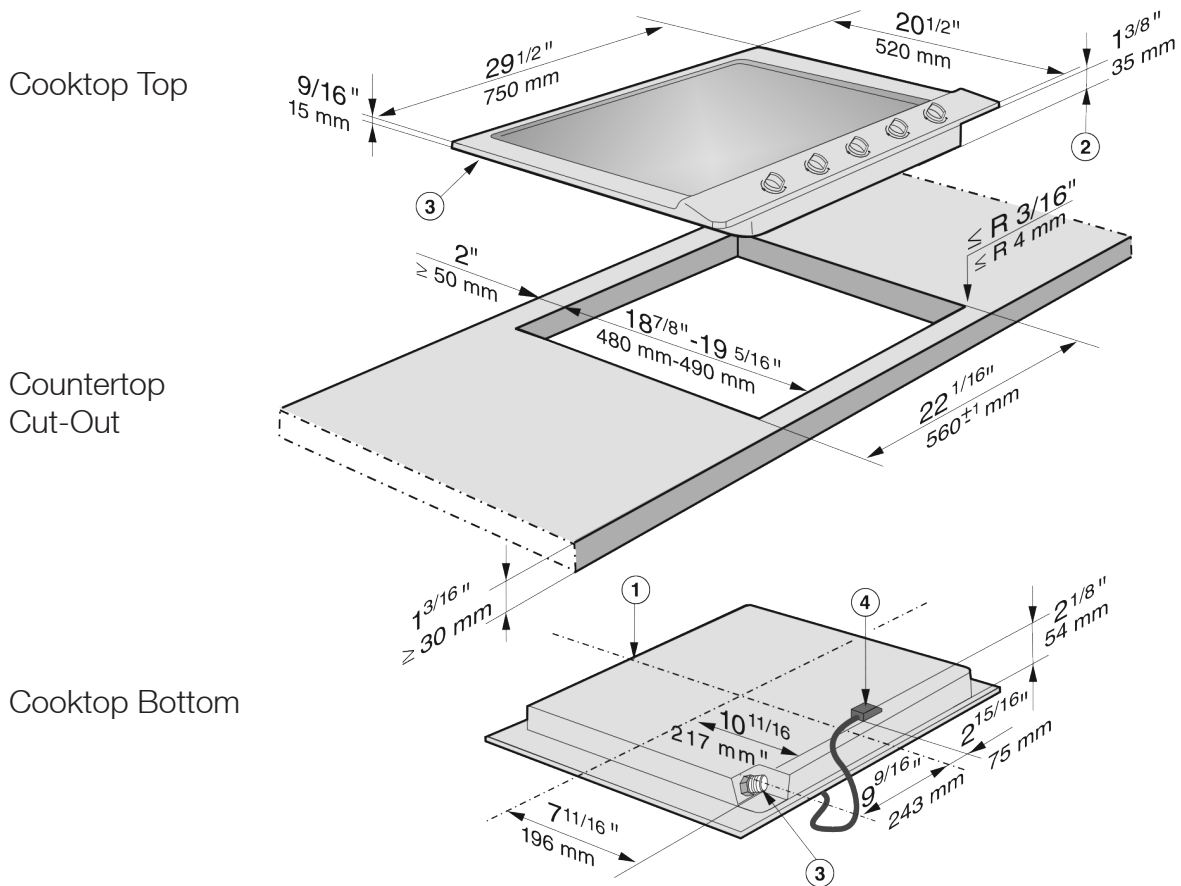
SPECIFICATIONS	
Overall Unit Dimensions	29½" (750 mm) W x 2⅛" (54 mm) H [To Electric Connection] x 20½" (520 mm)
Niche Dimensions	
Cut-out Dimensions	22⅛" (560 mm) W x 18 7⁄8" (480 mm) D
Minimum Back Spacing From Wall	2" (50 mm)
Minimum Countertop Thickness	1⅜" (30 mm)
Minimum Recommended Distance to Miele Ventilation Hood	30" (760 mm)
Gas	
Gas Connection	1/2" NPT
Maximum Gas Supply Pressure	Natural Gas - 14" WC (34.9 mb), ½ psi (3.5 kPa)
Minimum Gas Supply Pressure	Natural Gas - 6" WC (15 mb)
Electrical	
Electrical Requirements	120 V, 60 Hz, 15 A
Power Cord	NEMA 5-15P, 6' 6" (2 m)
Shipping	
Shipping Weight	40 lbs (19 kg)
Shipping Dimensions	31½" (800 mm) W x 7¼" (185 mm) H x 23⅝" (600 mm) W
Support	
Call Miele	(800) 999-1360
Miele Website	🌐 <a href="http://www.mieleusa.com">www.mieleusa.com</a>
20/20 Link	🌐 <a href="http://2020technologies.com">2020technologies.com</a>



KM 2032 G  
Item 26203250USA

## 30" 5-Burner Gas Cooktop

### INSTALLATION DIMENSIONS



1. Cooktop front
2. Installation height
3. Gas connection R 1/2" NPT
4. Power supply box with connection cable,  
L = 6' 6" (2 m)

## 30" 5-Burner Gas Cooktop

### INSTALLATION IN COMBINATION WITH UNDERCOUNTER 30" MIELE OVEN H6x80BP

#### Countertop Thickness vs. Toekick Height

Taken into consideration:

- 34½" tall cabinetry
- Gas pressure regulator mounted on back wall or in adjacent cabinetry
- 9/16" of cooktop above countertop (proud)
- ¾" (exact) platform thickness under oven/above toekick

		Toekick Height										
		3½" (89 mm)	3¾" (95 mm)	4" (101 mm)	4¼" (108 mm)	4½" (114 mm)	4¾" (120 mm)	5" (127 mm)	5¼" (133 mm)	5½" (140 mm)	5¾" (146 mm)	6" (152 mm)
Countertop Thickness	1⅜" (30 mm)	OK	OK	OK	OK	OK	OK	OK	OK	OK	OK	OK
	1¼" (32 mm)	OK	OK	OK	OK	OK	OK	OK	OK	OK	OK	OK
	1½" (38 mm)	OK	OK	OK	OK	OK	OK	OK	OK	OK	OK	OK
	1¾" (44 mm)	OK	OK	OK	OK	OK	OK	OK	OK	OK	OK	OK
	2" (51 mm)	OK	OK	OK	OK	OK	OK	OK	OK	OK	OK	OK
	2¼" (57 mm)	OK	OK	OK	OK	OK	OK	OK	OK	OK	OK	OK

 = Typical Installation