

## 48" Rangetop

Model: KMR 1354 G / KMR 1354 LP



### KMR 1354 G / KMR 1354 LP

#### Features:

- Stainless Steel backlit knobs
- M Pro dual stacked burner system with TrueSimmer
- ComfortClean dishwasher-safe grates
- Clean Touch Steel™ front

#### SPECIFICATIONS

KMR 1354 G — Item 26135450USA

KMR 1354 LP — Item 26135451USA

Overall Unit Width 48" (1219.2mm)

Overall Height from the base of the appliance to top, not including grates 7½" (191mm)

Overall Unit Depth to the front of control panel 26½" (673mm)

#### Niché

Minimum Cabinet Width 48⅛" + ⅛" (1220.8 — 1219.8mm)

Minimum Cabinet Depth to back of control panel 25⅛" (636.6mm)

#### Burners

Gas Burners: (2) 12,000 BTU; (6) 19,000 BTU

#### Electrical

Electrical Requirements 120V, 60Hz, 10 Amps

Power Cord Yes - NEMA 5-15 plug, 4ft. long

#### Shipping

Shipping Weight 165.3 lbs. (75kg)

#### Support

Call 800.843.7231

20/20 ©2020technologies.com

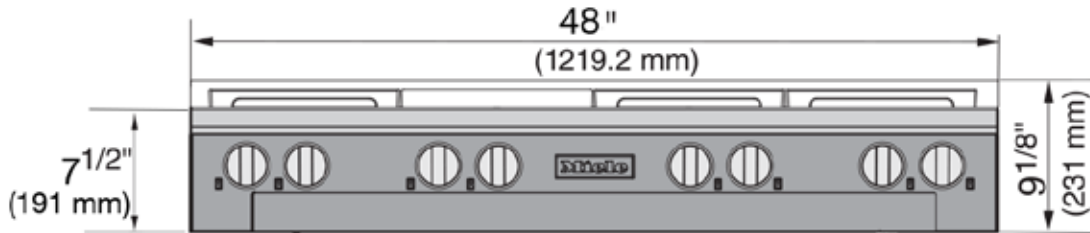
# 48" Rangetop

Model: KMR 1354 G / KMR 1354 LP

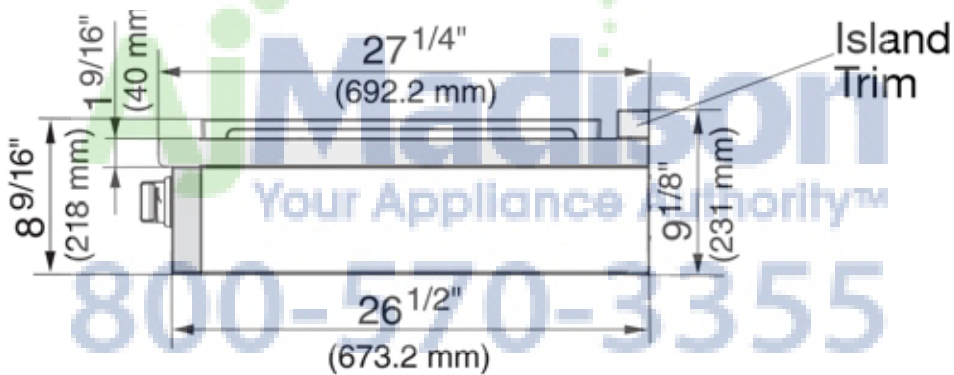


## PRODUCT VIEWS

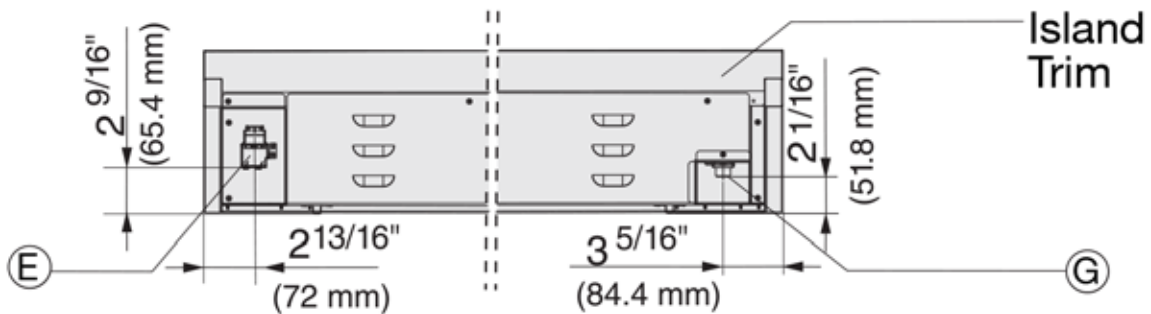
Front View



Side View



Rear View



Length of power cord is 4 ft.

E = Electrical connection

G = Gas connection

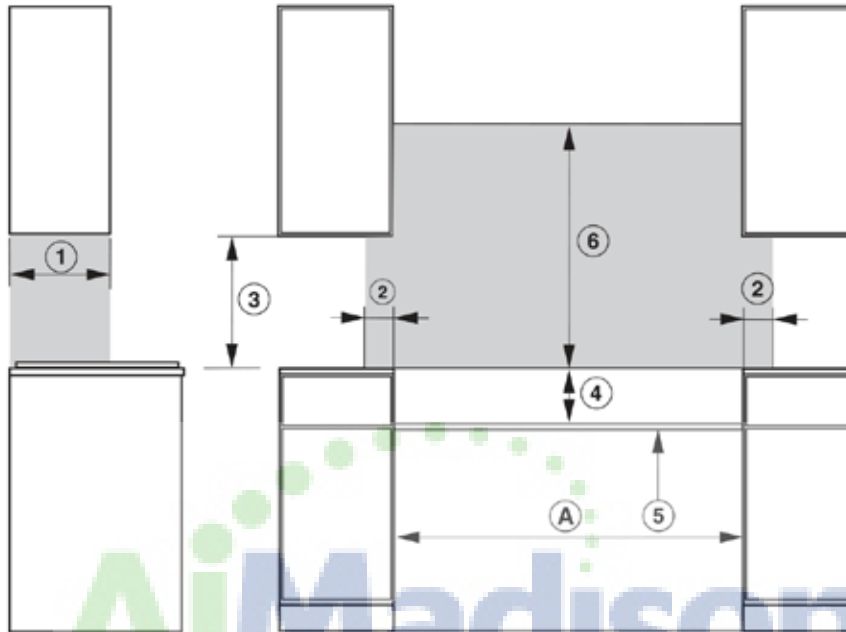
# 48" Rangetop

## Model: KMR 1354 G / KMR 1354 LP



### PRODUCT VIEWS

#### Cabinet View



AjMadison  
Your Appliance Authority™  
800-570-3355

Position	Dimension	Description
①	13" (330 mm)	Maximum depth of top cabinet
②	6" (152 mm)	Minimum distance (left and right) to flammable surfaces
③	18" (547 mm)	Minimum distance to bottom edge of top cabinet
④	7½" (191mm)	Distance top edge of worktop to top edge of platform
⑤		Platform <sup>1)</sup>
⑥	30" (762 mm)	Minimum distance between the top of the cooking area and the bottom of an unprotected wooden or metal cabinet
Ⓐ*	48 1/16" + 1/16" (1220.8 + 1.58mm)	Opening width

The gray areas represent the minimum distance from flammable surfaces.

1) The Platform must be ¾" (19.05 mm) thick.

It must include a cut-out of 5 1/8" x 3 1/8" (130 mm x 80 mm) (gas connection) at the rear right and a cut-out of 4 3/4" x 1 9/16" (120 mm x 40 mm) (elctrical connection) at the rear left.

For gas, electric and water connections, see Rear Product View