

36" Rangetop with Griddle

Model: KMR 1136 G / KMR 1136 LP



KMR 1136 G / KMR 1136 LP

Features:

- Stainless Steel backlit knobs
- M Pro dual stacked burner system with TrueSimmer
- M Pro Griddle
- ComfortClean dishwasher-safe grates
- Clean Touch Steel™ front

SPECIFICATIONS

KMR 1136 G — Item 26113650USA

KMR 1136 LP — Item 26113651USA

Overall Unit Width 36" (914.4mm)

Overall Height from the base of the appliance to the top, not including grates 7½" (191mm)

Overall Unit Depth to the front of control panel 26½" (673mm)

Niché

Minimum Cabinet Width 36⅛" + ⅛" (916mm — 917.6mm)

Minimum Cabinet Depth to back of control panel 25⅛" (636.6mm)

Burners

Gas Burners: (1) 12,000 BTU; (3) 19,000 BTU

Griddle: (1) 15,000 BTU

Electrical

Electrical Requirements 120V, 60Hz, 10 Amps

Power Cord Yes - NEMA 5-15 plug, 4ft. long

Shipping

Shipping Weight 164.2 lbs. (74.5kg)

Support

Call 800.843.7231

20/20 2020technologies.com

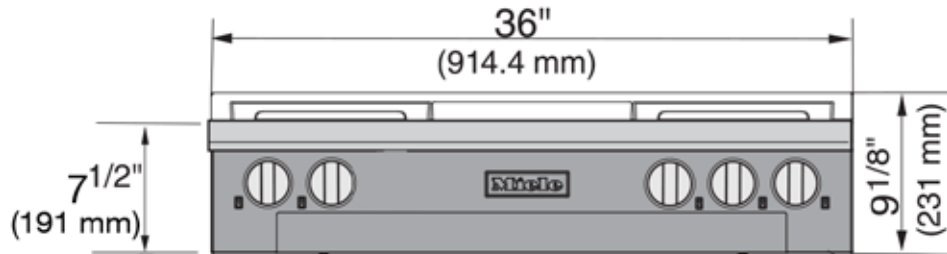
36" Rangetop with Griddle

Model: KMR 1136 G / KMR 1136 LP

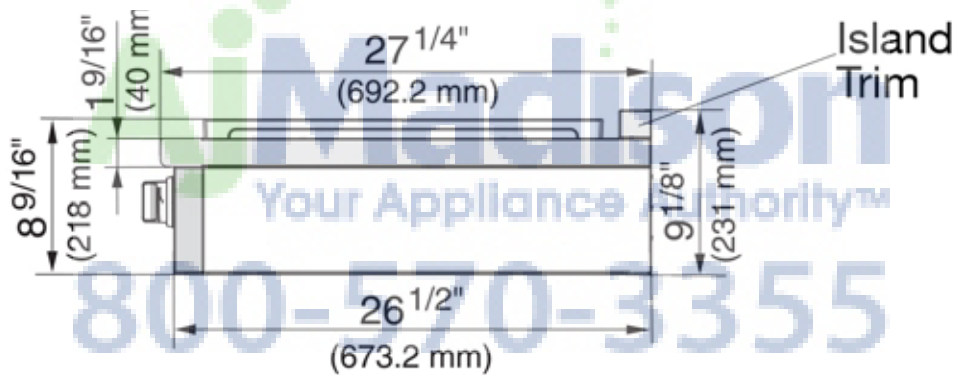


PRODUCT VIEWS

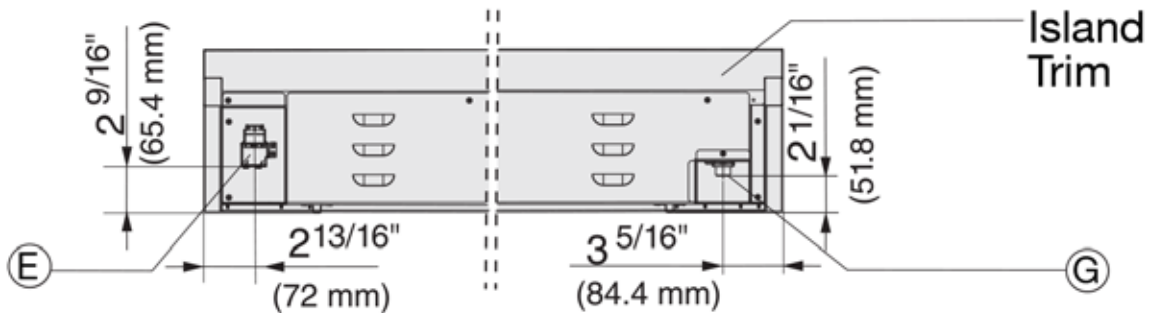
Front View



Side View



Rear View



Length of power cord is 4 ft.

E = Electrical connection

G = Gas connection

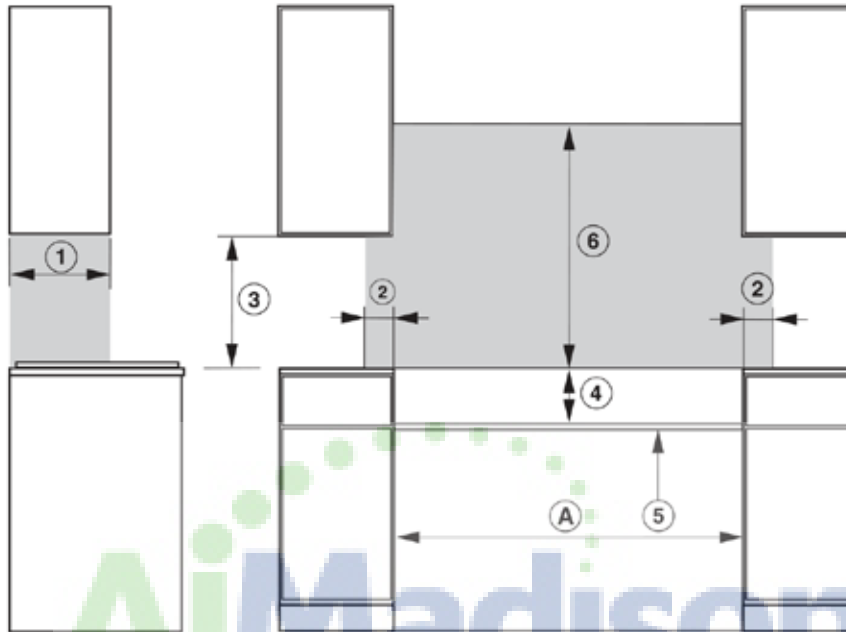
36" Rangetop with Griddle

Model: KMR 1136 G / KMR 1136 LP



PRODUCT VIEWS

Cabinet View



Aj Madison
Your Appliance Authority™
800-570-3355

Position	Dimension	Description
①	13" (330 mm)	Maximum depth of top cabinet
②	6" (152 mm)	Minimum distance (left and right) to flammable surfaces
③	18" (547 mm)	Minimum distance to bottom edge of top cabinet
④	7 ¹ / ₂ " (191mm)	Distance top edge of worktop to top edge of platform
⑤		Platform ¹⁾
⑥	30" (762 mm)	Minimum distance between the top of the cooking area and the bottom of an unprotected wooden or metal cabinet
Ⓐ*	36 ¹ / ₁₆ " + ¹ / ₁₆ " (916 + 1.58mm)	Opening width

The gray areas represent the minimum distance from flammable surfaces.

1) The Platform must be ³/₄" (19.05 mm) thick.

It must include a cut-out of 5¹/₈" x 3¹/₈" (130 mm x 80 mm) (gas connection) at the rear right and a cut-out of 4³/₄" x 1⁹/₁₆" (120 mm x 40 mm) (elctrical connection) at the rear left.

For gas, electric and water connections, see Rear Product View