



# 1.9 cu. ft. Over-the-Range Microwave Hood Combination

KMHC319E



Stainless Steel  
KMHC319ESS

## Capacity

Total 1.9 cu. ft.

## General Features & Properties

1.9 Cu. Ft. Capacity

Halogen Task Lights

Convection Cooking

Steam Cleaning Function

Stoppable Turntable

Professionally-Inspired Design Including Handle, Badge, Graphics, Chrome Chamfer

Sound-Based Popcorn Function

Stainless Steel Cavity

## Electrical Details

Amps 15

Volts 120

## Technical Details

Microwave Type Over-the-Range

CFMs 400

Lighting Type Halogen

Number of Speeds 6

Venting Type Updraft

## Dimensions

Product Dimensions (H x W x D) 17-1/8" x 30" x 17"

Depth with Door Open 90° 44-1/2"

Cutout Dimensions (W x D) 30" x 12" minimum

## Reference Material

[Dimension Guide](#)

[Install Guide](#)

[Use & Care Guide](#)

[Warranty](#)

## Key Features & Benefits

### 1000 Watts Power

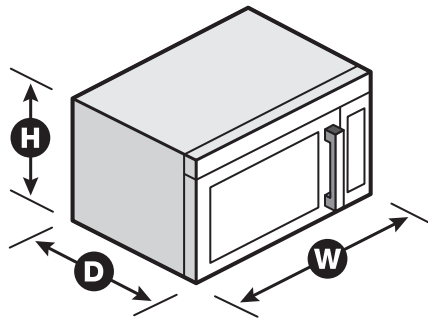
Cook your favorite foods quickly and thoroughly with high power.

### Keep Warm Function

Operates at 10% cooking power to keep cooked foods warm until they're ready to be served.

### Sensor Steam/Simmer Cook Cycle with Steamer Container

Features a microwave sensor that triggers a cycle that precisely steams food based on type and selected doneness. It includes a steamer container to help achieve the best cooking results.



NOTE: Dimensions are for planning purposes only. For complete details, see Installation Instructions packed with product. Specifications subject to change without notice.

®/™ © 2020. All rights reserved. Printed in the U.S.A. D200104XXE. KMHC319ESpecSheetV01.