

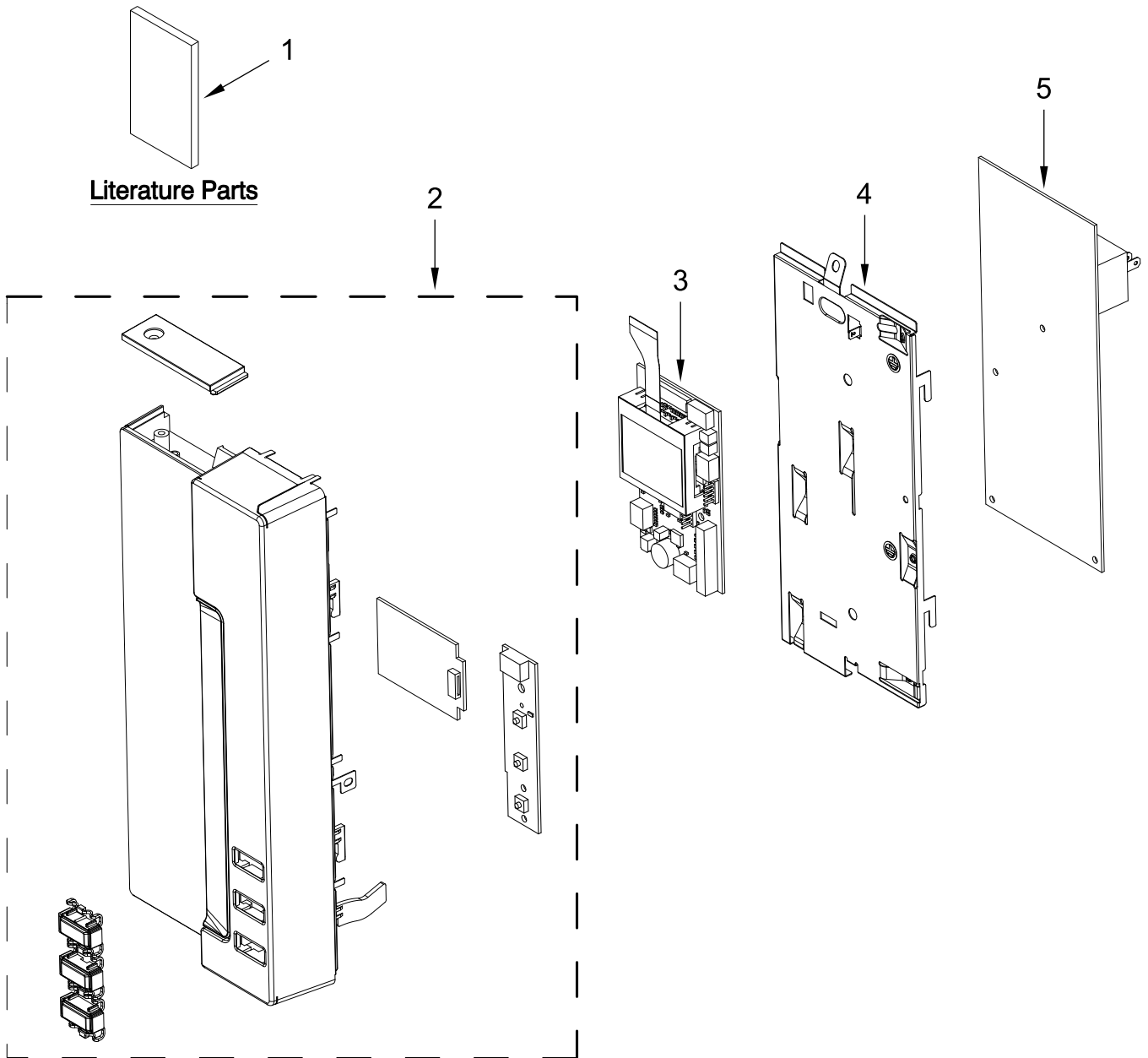
KitchenAid®

**1.1 CUBIC FOOT BUILT IN MICROWAVE
(Standard Trim Kit)**

MODELS:

KMBT5511KSS0 (Stainless)

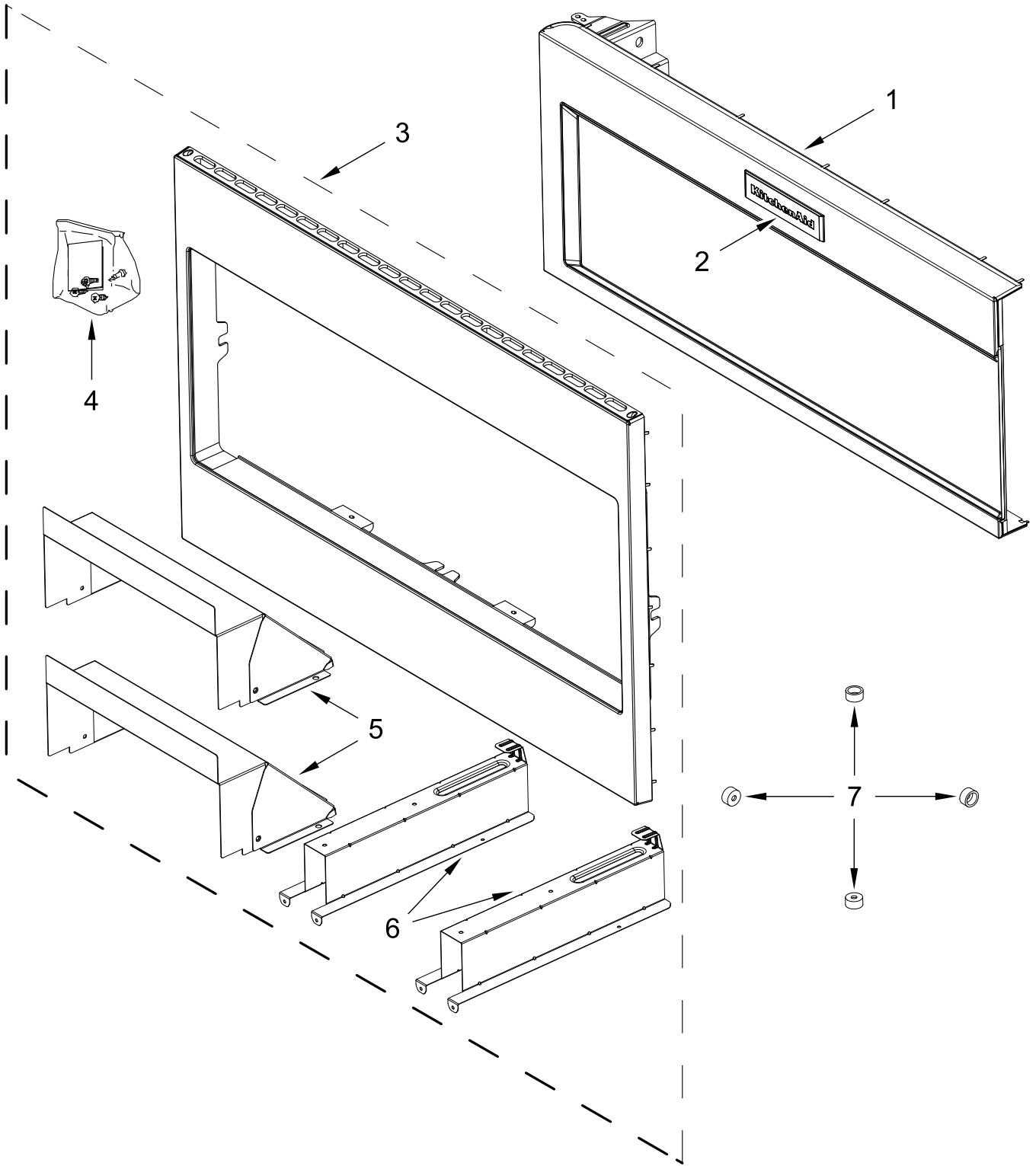
CONTROL PANEL PARTS



CONTROL PANEL PARTS

<u>Illus. No.</u>	<u>Part No.</u>	<u>Description</u>	<u>Illus. No.</u>	<u>Part No.</u>	<u>Description</u>
1		Literature Parts	3	W11398535	PCBA, User Interface
	W11412752	Installation Instructions	4	W11083284	Backer, Control
	W11416161	Owner's Manual	5	W11398528	PCBA, Appliance Control Unit
	W11415594	Tech Sheet			
2		Panel, Control			
	W11453238	Stainless			

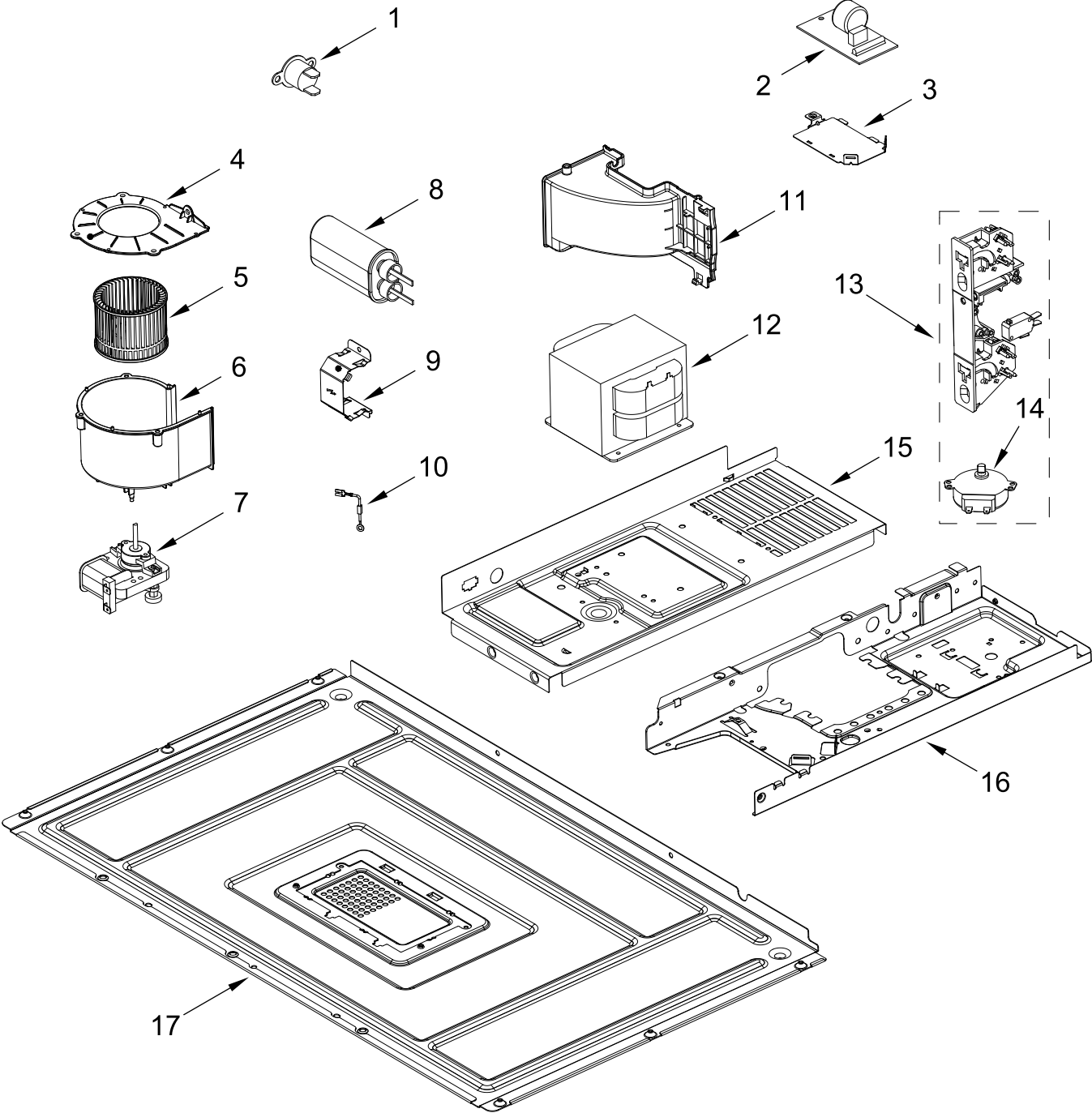
DOOR AND TRIM PARTS



DOOR AND TRIM PARTS

<u>Illus.</u> <u>No.</u>	<u>Part No.</u>	<u>Description</u>	<u>Illus.</u> <u>No.</u>	<u>Part No.</u>	<u>Description</u>	<u>Illus.</u> <u>No.</u>	<u>Part No.</u>	<u>Description</u>
1		Door, Complete	4	W11393537	Hardware, Installation	6	W11454889	Mounting Rail, Standard
	W11453247	Stainless	5	W11454891	Cooling Duct, Standard	7	W11409101	Pin, Locating
2	W10754513	Nameplate						
3	W11435431	Trim Kit, Standard						
	W11435432	Trim Kit, Standard with Cut-Out						
		NOTE : For Store Displays						

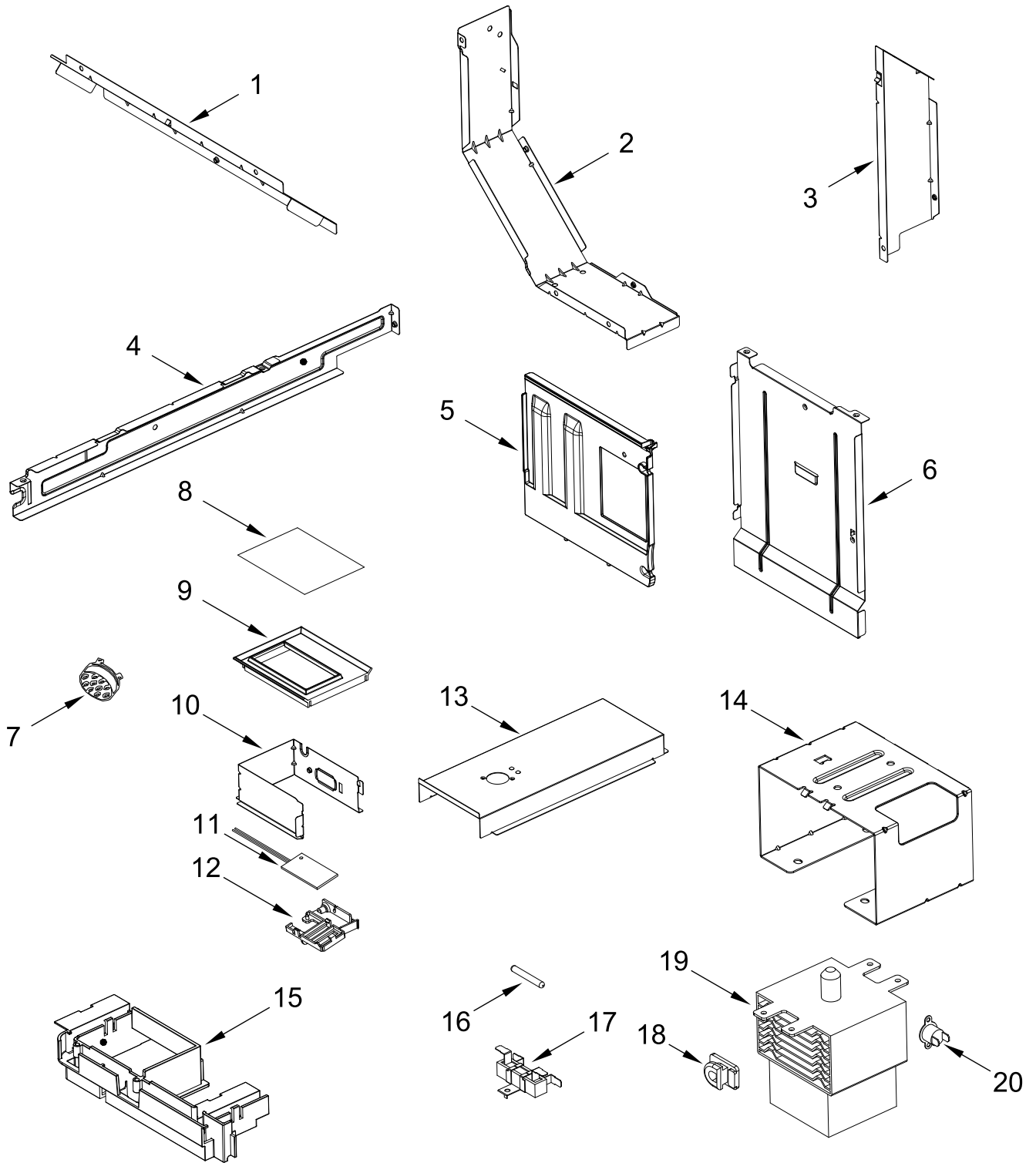
INTERIOR AND VENTILATION PARTS



INTERIOR AND VENTILATION PARTS

<u>Illus.</u> <u>No.</u>	<u>Part No.</u>	<u>Description</u>	<u>Illus.</u> <u>No.</u>	<u>Part No.</u>	<u>Description</u>	<u>Illus.</u> <u>No.</u>	<u>Part No.</u>	<u>Description</u>
1	W11378281	Thermostat, Cavity	8	W11196080	Capacitor, High Voltage	13	W11479930	Assembly, Interlock (Includes Switches)
2	W11425905	Board, Noise Filter	9	W11095808	Bracket, Capacitor	14	W11044953	Motor, Door Eject
3	W10313274	Bracket, Noise Filter	10	W10492278	Diode, High Voltage	15	W11164809	Chassis, Transformer
4	W11088345	Cover, Cooling Fan	11	W11088358	Air Guide, Magnetron	16	W11440761	Plate, Chassis
5	W11088354	Wheel, Cooling Fan	12	W11334531	Transformer, High Voltage	17	W11449943	Plate, Bottom
6	W11088352	Housing, Cooling Fan						
7	W11325927	Motor, Cooling Fan						

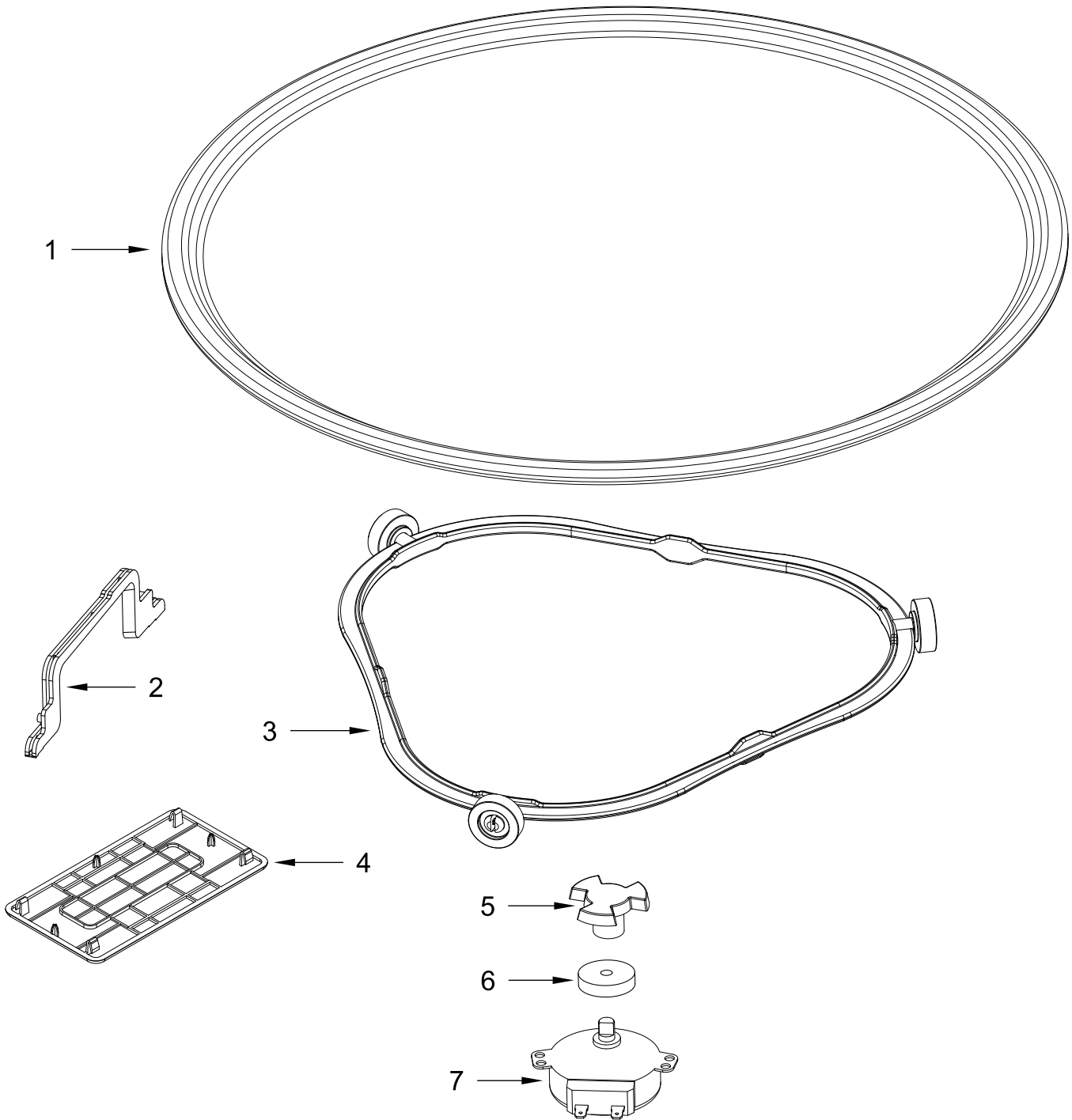
AIR FLOW PARTS



AIR FLOW PARTS

<u>Illus.</u> <u>No.</u>	<u>Part No.</u>	<u>Description</u>	<u>Illus.</u> <u>No.</u>	<u>Part No.</u>	<u>Description</u>	<u>Illus.</u> <u>No.</u>	<u>Part No.</u>	<u>Description</u>
1	W11095828	Channel, Hood Back	9	W11405836	Seal, Lighting	17	W10245194	Holder, Fuse
2	W11095827	Air Deflector, Right	10	W11086300	Housing, Cavity Lighting	18	W11126543	Seal, Rubber
3	W11412771	Deflector, Left Back	11	W11384716	Lamp, LED	19	W11334527	Magnetron
4	W11095814	Divider, Air	12	W11098921	Base, Cavity Lighting	20	W11378280	Thermostat, Magnetron
5	W11095794	Deflector, Cooling Fan	13	W11095818	Outlet, Cavity (Back)			
6	W11095804	Hood Deflector, Right	14	W11323215	Housing, Tranformer			
7	W110557536	Sensor, Humidity	15	W11099491	Holder, Wire			
8	W11186948	Foil, Lamp	16	W10138793	Fuse			

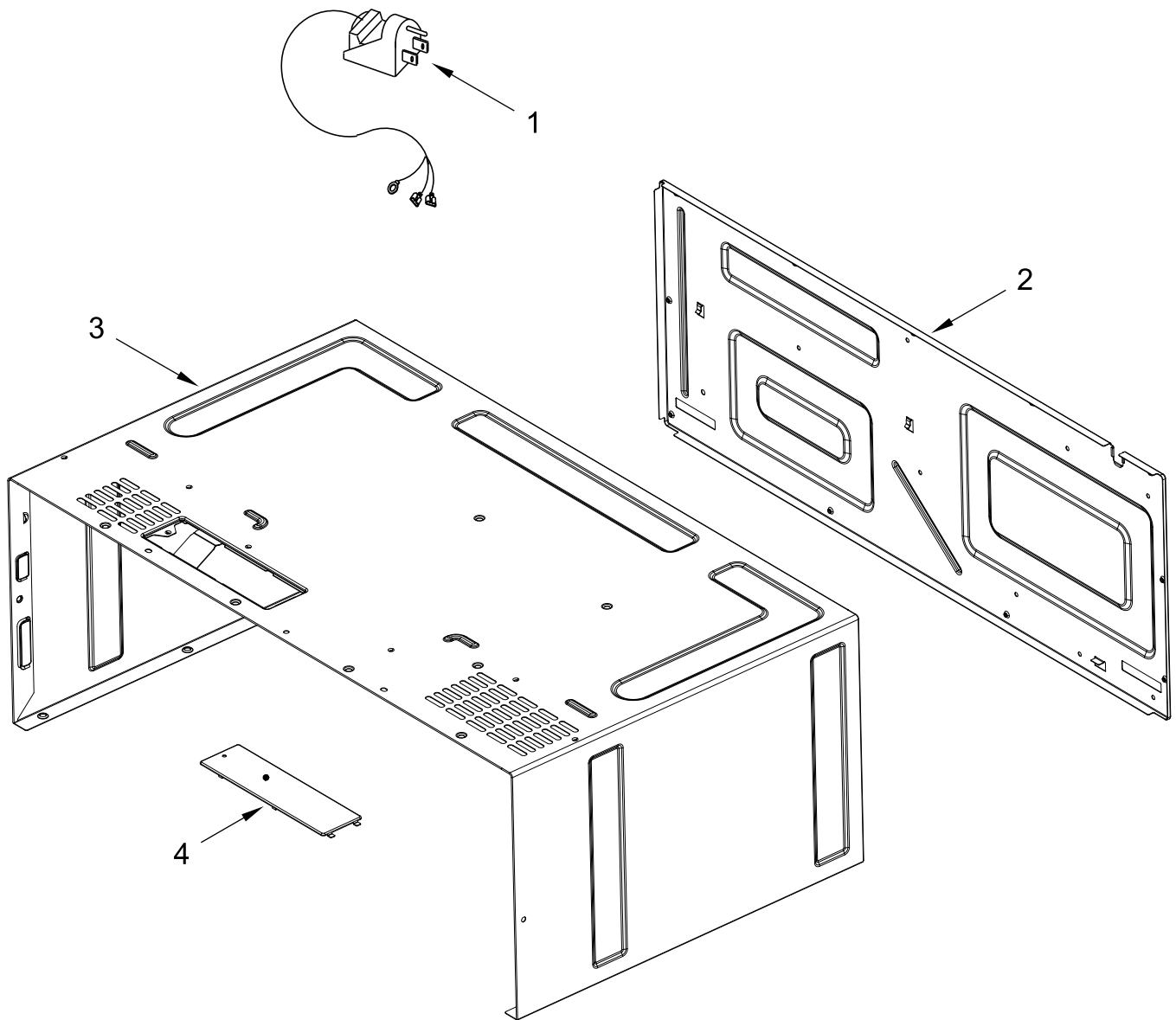
TURNTABLE PARTS



TURNTABLE PARTS

<u>Illus.</u> <u>No.</u>	<u>Part No.</u>	<u>Description</u>	<u>Illus.</u> <u>No.</u>	<u>Part No.</u>	<u>Description</u>	<u>Illus.</u> <u>No.</u>	<u>Part No.</u>	<u>Description</u>
1	W11401221	Turntable	3	W11387723	Ring, Turntable	6	8184109	Seal, Waterproof
2	W11126541	Seal, Waveguide	4	W11193296	Cover, Waveguide	7	W10466420	Motor, Turntable
			5	W11387721	Driver, Turntable			

CABINET AND INSTALLATION PARTS



CABINET AND INSTALLATION PARTS

<u>Illus.</u> <u>No.</u>	<u>Part No.</u>	<u>Description</u>
1	W11371784	Cord, Power
2	W11404834	Plate, Back
3		Case, Outer
	W11415175	Black
4		Cover, Vent (Long)
	W11095767	Stainless
		FOLLOWING PARTS NOT ILLUSTRATED
	W11396538	Harness, Main
	W11266688	Harness, User Interface
	W11187937	Harness, PCBA Ground Wire
	W11479911	Harness, Door Motor Signal
	W11306551	Holder, Lamp
	W10916210	Harness, Right Touch Control
	W11104638	Harness, Sensor Board
	W11205696	Ground Wire, Chrome Chamfer