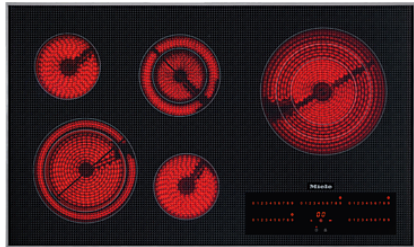


KM 5860 240V

Electric cooktop

with direct selection plus including timer for maximum user convenience.



- Quick selection using numerical linear keybanks - Direct control plus
- Attractive design - 36 1/8 (915)Inch wide with stainless steel frame
- Convenient - Auto heat-up for every cooking zone
- Safe - residual heat indicator for every cooking zone

EAN: 4002514866697 / material number: 07821760

Type of heating	
Fuel type	Electrical
Construction type	
Independent of oven	•
Design	
Elegant glass ceramic surface	•
Ceramic surface color	Black
Print design	Basalt grey decor
All-round stainless steel frame	•
Ring features	
No. of rings	5
Ring	
Position	front left
Type	Variable cooking zone
Size in inches (mm)	Ø 180 / Ø 230
Max. rating in W	1600/2500
Position	rear left
Type	Single-circuit ring
Size in inches (mm)	Ø 145
Max. rating in W	1200
Position	rear center
Type	Variable cooking zone
Size in inches (mm)	120/180 mm
Max. rating in W	700/1800
Position	rear right
Type	Variable cooking zone
Size in inches (mm)	Ø 145 / Ø 210 / Ø 270
Max. rating in W	1100/2150/3100
Position	front center
Type	Single-circuit ring
Size in inches (mm)	Ø 145
Max. rating in W	1200
Control panel	
Operation via touchpad sensors	Direct Control Plus
Display color	Red
Stop & Go function	•
Extended ring area	•
Minute minder	•
Automatic switch-off for all rings	•
AutoBoost	•
Cleaning convenience	
Easy to clean ceramic surface	•
Safety	
Safety cut-out	•
Lock function	•
System lock	•
Overheating protection	•
Residual heat indicator	•

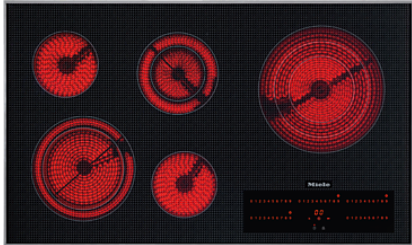
More information at www.MieleUSA.com

For further information please see next page...

KM 5860 240V

Electric cooktop

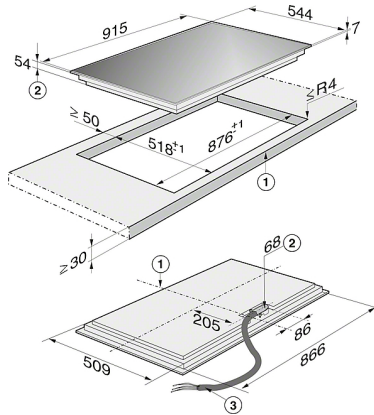
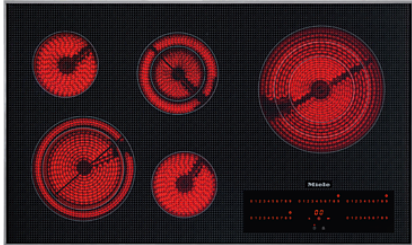
with direct selection plus including timer for maximum user convenience.



Technical data	
Dimensions in in. (width)	36 1/8 (915)
Dimensions (height) in in.(mm)	2 1/2 (62)
Dimensions (depth) in in.(mm)	21 1/2 (544)
Built-in height with mains connection box in in.(mm)	2 3/4 (67)
Cutout dimensions in in. (width) with proud-mounted installation	34 1/2 (876)
Cutout dimensions in in. (depth) with proud-mounted installation	20 1/2 (518)
Weight in lbs. (kg)	39 (18)
Total connected load in kW	9.8
Power cord length in m	4 (1.4)
Standard accessories	
Razor-blade scraper	•
Connection wire	•

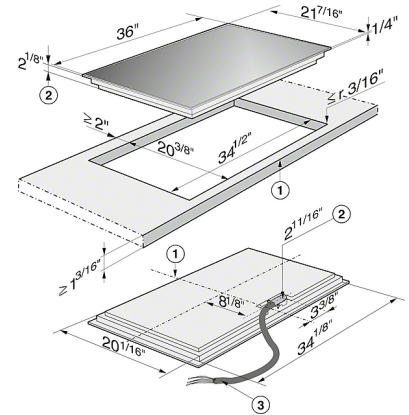
KM 5860 240V

Electric cooktop
with direct selection plus including timer for maximum user convenience.



KM 5860 (Installation drawing)

1. Front
2. Building-in depth
3. Flexible metal hose, L = 1200 mm



KM 5860 (Installation drawing)

1. Front
2. Building-in depth
3. Flexible metal hose, L = 47 1/4"