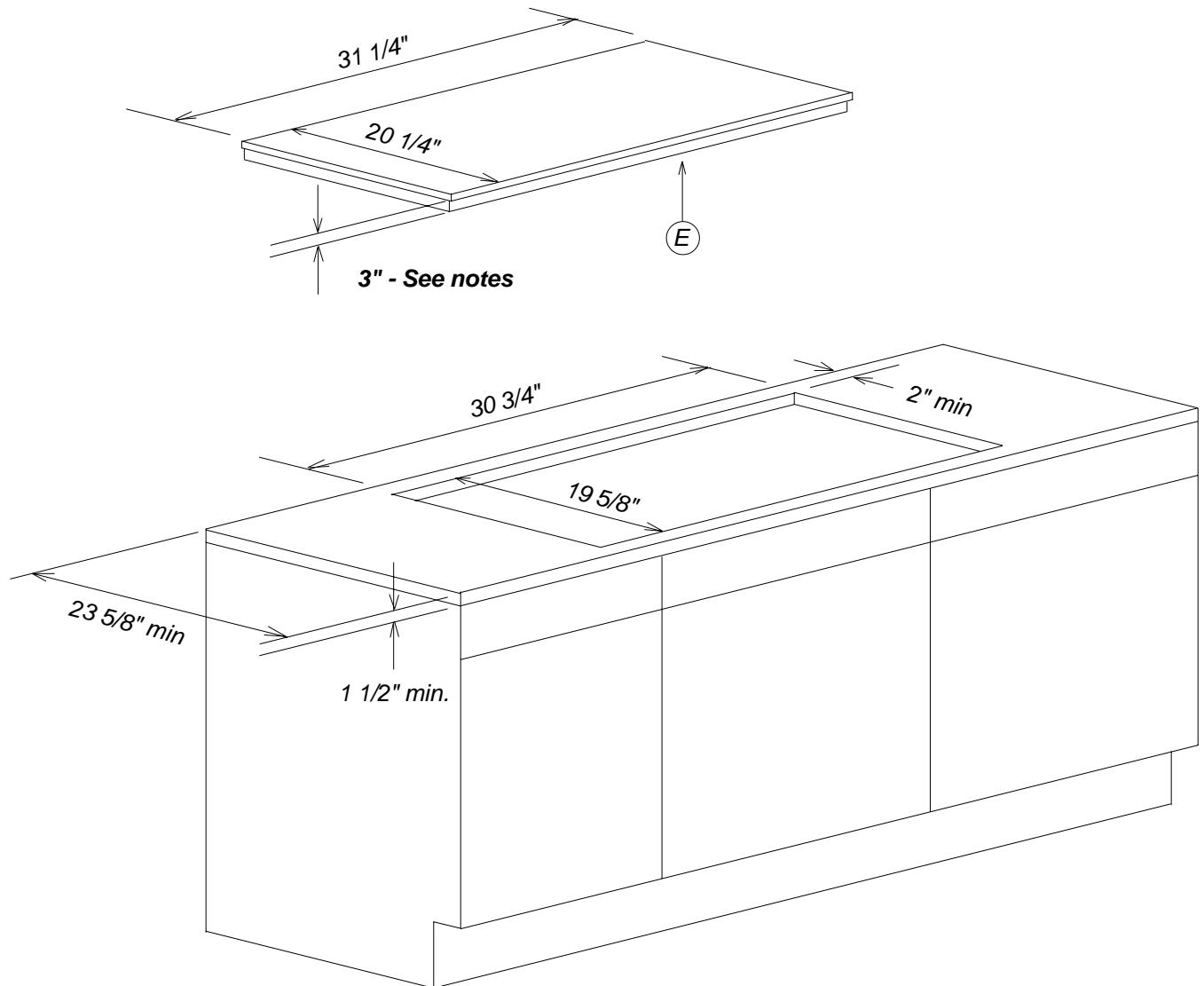


# Product and Cut-out Dimensions Touch Control Induction Cooktop KM5753



Location Codes
<i>E - 208-240 Volt, 40 Amp 3-wire power supply connects rear right bottom</i>
Notes
<ul style="list-style-type: none"> <li>• Please specify 208 Volt or 240 Volt unit when ordering.</li> <li>• All installations must be done in accordance with local codes.</li> <li>• Unit depth is 2 9/16" thick. Total built-in height includes 7/16" for electrical connection</li> </ul>

NOTE: Drawing is not to scale.  
SPECIFICATION SHEETS 010107