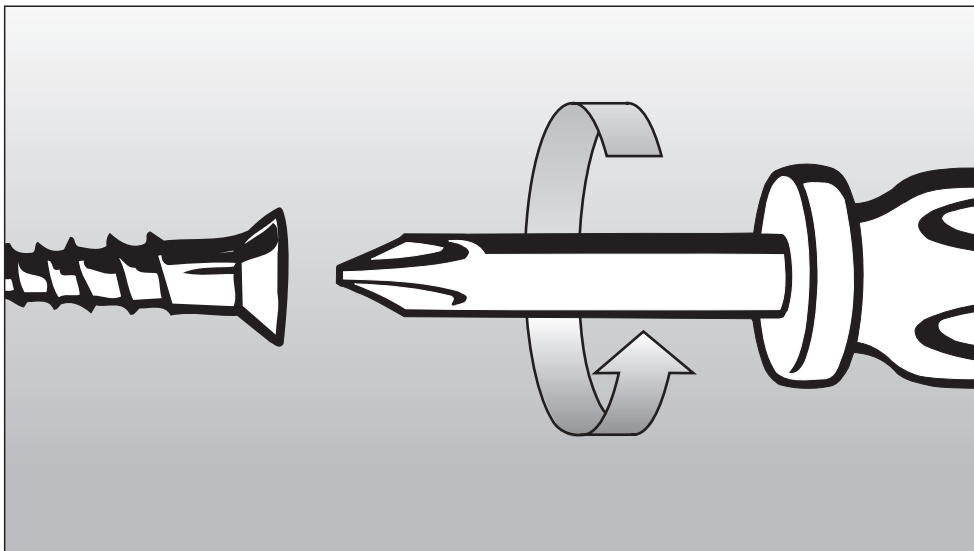


## Installation Instructions



### Gas Cooktop KM 404 KM 406



To prevent accidents and machine damage, read the operating instructions **before** installation or use.



---

**WARNING:**

If the information in this manual is not followed exactly, a fire or explosion may result causing property damage, personal injury or death.

- Do not store or use gasoline or other flammable vapors and liquids in the vicinity of this or any other appliance.
- **WHAT TO DO IF YOU SMELL GAS**
  - Do not try to light any appliance.
  - Do not touch any electrical switch.
  - Do not use any phone in your building.
  - Immediately call your gas supplier from a neighbor's phone. Follow the gas supplier's instructions.
  - If you cannot reach your gas supplier, call the fire department.
- Installation and service must be performed by a qualified installer, service agency or the gas supplier.  
(In Massachusetts a licensed plumber / gas fitter)
- Note to the installer:  
Please leave this instruction book with the consumer for the local electrical / gas inspector's use.

<b>IMPORTANT SAFETY INSTRUCTIONS</b> . . . . .	4
<b>Cooktop dimensions</b> . . . . .	6
KM 404. . . . .	6
KM 406. . . . .	7
<b>Countertop cut-out</b> . . . . .	8
<b>Installation</b> . . . . .	9
Laying out the support bars and brackets . . . . .	9
Setting the cooktop into place . . . . .	11
<b>Electrical connection</b> . . . . .	13
<b>Gas connection</b> . . . . .	14
Gas pressure regulator . . . . .	15
Nominal ratings . . . . .	16
<b>Converting to another type of gas</b> . . . . .	17

# IMPORTANT SAFETY INSTRUCTIONS

## Installation

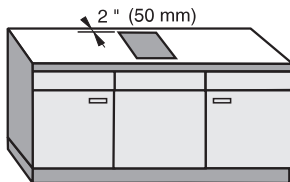
The minimum distances given in these Installation Instructions must be observed in order to ensure safe operation. Failure to do so increases the risk of fire.

To prevent damage to the cooktop, the cabinetry and venting hood should be installed first.

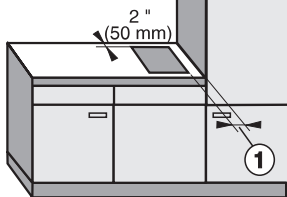
- Gas appliances should only be installed in a well ventilated area.
- The countertop must be bonded with heat resistant (212 °F / 100 °C) adhesive to prevent distortion or dissolving.
- The cooktops should only be installed as shown in the illustrations, while maintaining the required safety distances shown. Do not install the cooktop between two tall cabinets, this is a fire hazard.

① = minimum safety distance  
KM 404 = 10" (255 mm)  
KM 406 = 10" (255 mm)

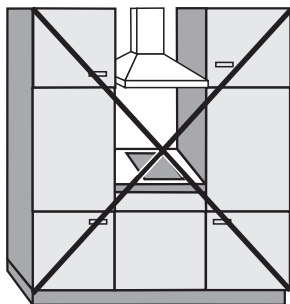
■ This equipment has not been designed for maritime use or for use in mobile installations such as aircraft or recreational vehicles. However, under certain circumstances it may be possible for installation in these applications. Please contact a Miele Dealer or Miele's Technical Service Department with specific requirements.



**recommended**



**not recommended**



**not allowed**

# IMPORTANT SAFETY INSTRUCTIONS

■ Cooktops should not be installed above a dishwasher, washer, dryer, freezer or refrigerator. The heat generated by cooktops could damage these appliances.

■ Deep fryers must not be installed next to gas cooktops. Gas flames can ignite splattering oil. A distance of at least 12" (305 mm) should be maintained between these two appliances.

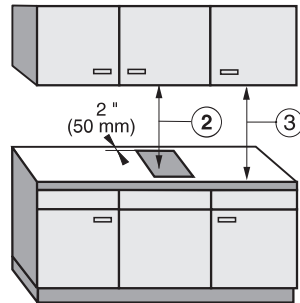
■ Install the appliance so that the power cord or gas piping does not come into contact with any portion of the cooktop which may become hot during use.

This appliance must be installed with its own shut off valve and gas pressure regulator. Both the valve and the regulator must be easily accessible to the consumer after the appliance is installed.

This appliance must be disconnected from the gas supply during any pressure testing performed in excess of  $\frac{1}{2}$  psi (3.5 kPa). The machine must be isolated at test pressures equal to or less than  $\frac{1}{2}$  psi (3.5 kPa).

Any pipe connections must be made using a thread sealant approved for gas connections. Failure to correctly install these items could lead to a gas leak and subsequent explosion.

## Safety distances above the cooktop



There must be a minimum safety distance of at least 30 inches (760 mm), ②, between the top of the cooktop and any cabinet above it. The overhead cabinet depth, if unprotected, must not exceed 13 inches (33 cm). The minimum distance of combustible surfaces located above and to the sides of the cooktop, ③, is 18" (457 mm).

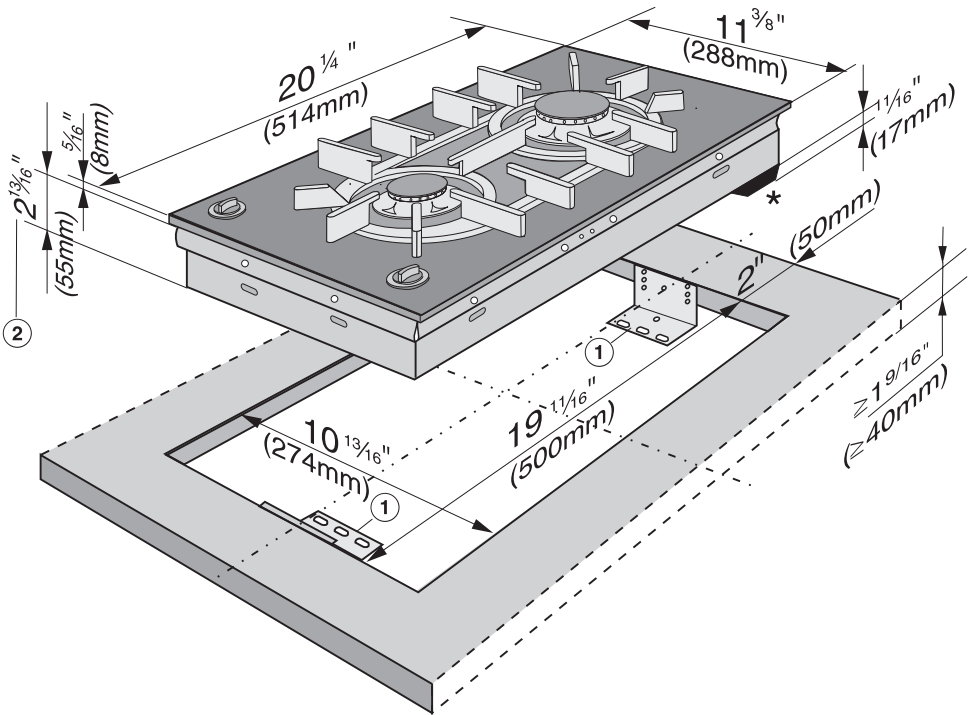
If the cabinet manufacturer recommends a different distance, follow that manufacturer's recommendation.

When installing the cooktop under a venting hood, always observe the minimum distances recommended by the hood manufacturer.

**Keep this instruction book in a safe place and pass it on to any future owner.**

# Cooktop dimensions

## KM 404



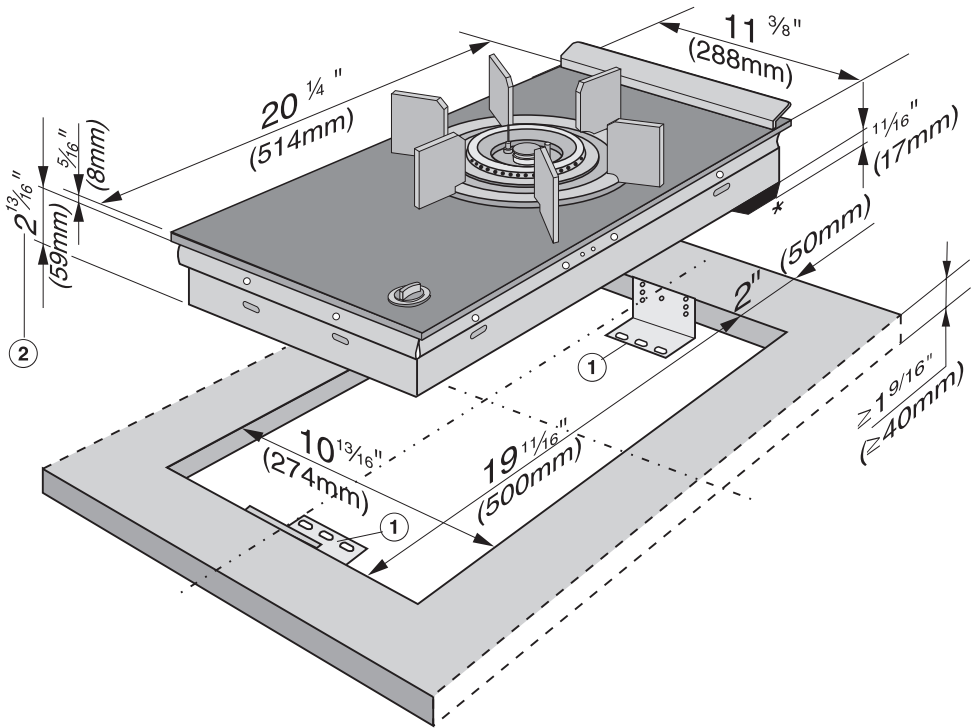
① Support brackets

② Building in height plus 1/8" (3 mm) for the fixing screws

\* Please allow an additional 3 1/2" (90 mm) depth across the rear of the cooktop for clearance of the gas regulator (see "Gas connection" for illustration).

# Cooktop dimensions

## KM 406

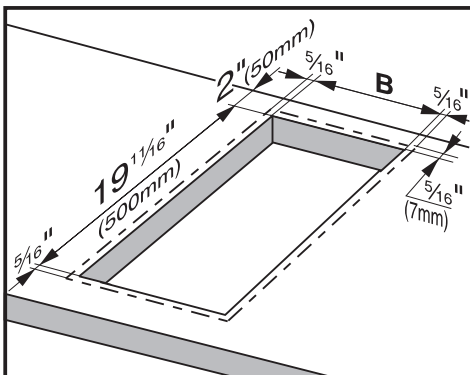


① Support bracket

② Building in height plus 1/8" (3 mm) for the fixing screws

\* Please allow an additional 3 1/2" (90 mm) depth across the rear of the cooktop for clearance of the gas regulator (see "Gas connection" for illustration).

# Countertop cut-out



All Miele combisets have the same length and width. Make sure that there is enough room under the countertop to allow for the depth of the various appliances. Remember to allow clearance for the gas regulator and gas pipe that must be connected to the appliance.

The following distances must be maintained for safety:

- Between the cooktop and rear wall:  
2" (50 mm)
- Between the cooktop and side wall or cabinet:  
10" (255 mm)

Refer to section "IMPORTANT SAFETY INSTRUCTIONS" for further installation information.

## Installing one or multiple appliances:

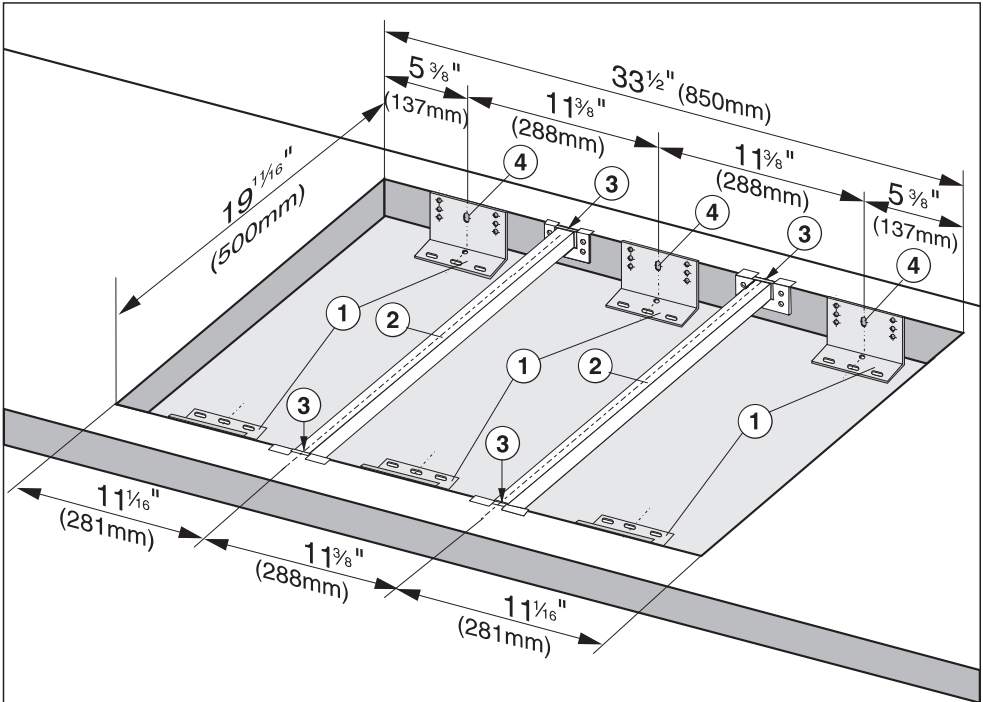
Cut out the countertop using the dimensions listed in the following table.

Number of cooktops	Cut out width Dimension "B"
1	10 <sup>13</sup> / <sub>16</sub> " (275 mm)
2	22 <sup>1</sup> / <sub>8</sub> " (562 mm)
3	33 <sup>1</sup> / <sub>2</sub> " (851 mm)
4	44 <sup>13</sup> / <sub>16</sub> " (1138 mm)
5	56 <sup>1</sup> / <sub>8</sub> " (1426 mm)
6	67 <sup>1</sup> / <sub>2</sub> " (1714 mm)
7	78 <sup>13</sup> / <sub>16</sub> " (2002 mm)

The tolerance for each dimension is <sup>1</sup>/<sub>16</sub>" (1 mm).

When installing more than one combiset, a support bar must be installed between the appliances. Install the support bars as shown in the relevant section before setting the appliances into the countertop.

## Laying out the support bars and brackets



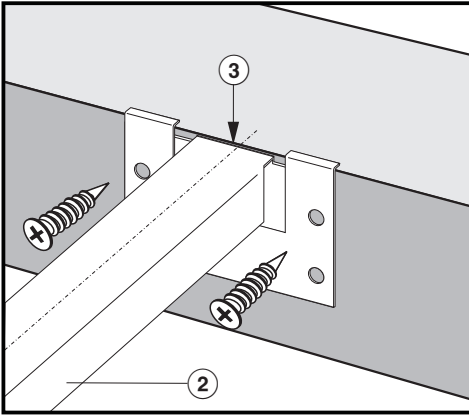
- ① Support brackets
- ② Support bars
- ③ Slight gap between support bar and countertop
- ④ Bracket center line

The illustration shows the layout for three combisets and their respective support bars, ②, and support brackets, ①, required for correct installation.

If more than three combisets are being installed, add an additional  $11 \frac{3}{8}$ " (290 mm) to the overall length of the cut out for each additional combiset, or use the table on the preceding page.

# Installation

## Securing the support bars



### Wood or Corian countertops

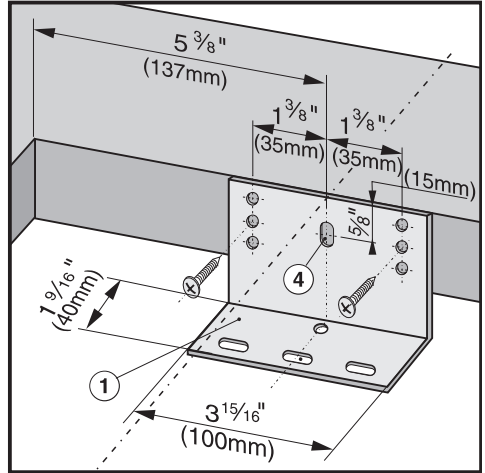
- Arrange the bars, ②, as shown in the illustration.
- Drill  $\frac{1}{16}$ " (1.5 mm) pilot holes through the brackets and secure them using the supplied screws.
- Fill the gap, ③, between the bars and the countertop using the supplied silicon sealant.

### Granite countertops

For granite countertops, the support bars, ②, can be secured with double sided tape or construction adhesive. Do not allow the bars to "float", they must be securely fastened. Fill the gap, ③, between the bars and the countertop using the supplied silicon sealant.

The screws are not necessary for granite countertops.

## Securing the support brackets



- Place the brackets, ①, as shown in the illustration.
- Drill two  $\frac{1}{16}$ " (1.5 mm) pilot holes for each bracket and secure them using the supplied screws.

### Granite countertops

A granite countertop must be prepared with a hole drilled at the position indicated, ④, to secure each support bracket (see illustration).

Using a piece of double sided tape or construction adhesive press the support brackets supplied, ①, into the position indicated in the illustration, flush with the top edge of the countertop. Secure each bracket with one screw.

Any pipe connections must be made using a thread sealant approved for gas connections. Failure to correctly install these items could lead to a gas leak and subsequent explosion.

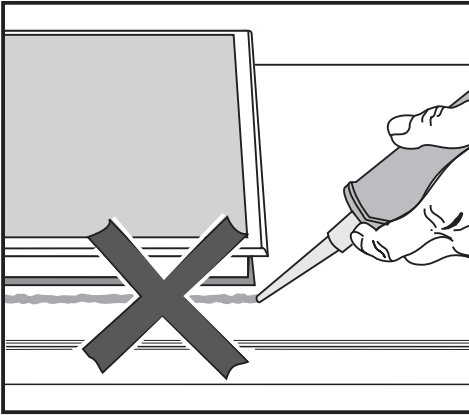
## Setting the cooktop into place

- Screw the gas regulator onto the nipple underneath the cooktop.
- Guide the power cord through the cut out and set the cooktop into place.
- Secure the cooktop from below by placing the two supplied screws through the center elongated holes of the support brackets and screwing them into the bottom of the cooktop.

# Installation

---

## Important



The cooktop must not be permanently sealed into the countertop when installed. The sealing strip under the edge of the cooktop provides a sufficient seal for the countertop.

If the cooktop is sealed into position, the countertop or the appliance may be damaged if the cooktop needs to be removed for maintenance or service.


This appliance must be electrically grounded according to local or national codes.

All electrical work should be performed by a qualified electrician in accordance with local codes and the:

- National Electrical Code ANSI / NFPA No. 70 for the USA

or

- Canadian Electrical Code Part I for Canada (CSA Standard C 22.1).

 **WARNING** - Disconnect the appliance from the main power supply before installation or service. To reduce the risk of electric shock, make sure that the appliance is properly grounded after installation.

This appliance is equipped with a three-prong grounding plug to prevent shock hazards. It should be plugged directly into a properly grounded outlet. Do not cut or remove the grounding prong from the plug. If the plug does not fit the outlet, have the proper outlet installed by a licensed electrician.

To guarantee the electrical safety of this appliance, continuity must exist between the appliance and an effective grounding system. It is imperative that this basic safety requirement be met. If there is any doubt, have the electrical system of the house checked by a qualified electrician.

The manufacturer cannot be held responsible for damages caused by the lack, or inadequacy, of an effective grounding system.

### Power supply

The automatic ignition requires that the cooktop be connected to a 120 VAC, 60 Hz power supply. The supply line should be protected by a 15 A breaker.

Actual power consumption (during ignition only) is 25 W.

This appliance is equipped with a 4 ft. (1.2 m) long power cord that is ready for connection to the appropriate outlet.

Please place the power outlet so that it is accessible after the appliance has been installed in the countertop.

### Note to the installer

Please leave these instructions with the consumer or the appliance.

# Gas connection

Installation and service must be performed by a qualified installer, service agency or the gas supplier.

In Massachusetts a licensed plumber/gas fitter is required.

This appliance must be installed with its own shut off valve and the included gas pressure regulator. Both the valve and the regulator must be easily accessible to the consumer to turn on or shut off the gas supply after the appliance is installed.

This appliance and its individual shut off valve must be disconnected from the gas supply during any pressure testing performed in excess of  $\frac{1}{2}$  psi (3.5 kPa), or isolated from the gas line by closing its individual manual shut off valve at test pressures equal to or less than  $\frac{1}{2}$  psi (3.5 kPa).

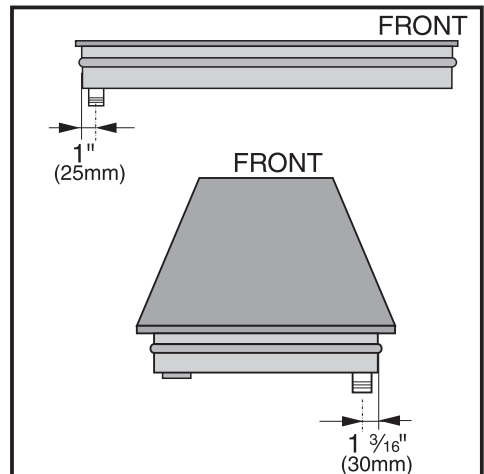
Any pipe connections must be made using a thread sealant approved for gas connections. Failure to correctly install these items could lead to a gas leak and subsequent explosion.

The gas connection must be made in accordance with local codes or, in the absence of local codes, with

- the National Fuel Gas Code, ANSI Z 21.1/NFPA 54 for the USA
- or
- the current Can/CGA B 149.1 and .2 Installation Codes for gas burning appliances for Canada.

Make sure that the maximum gas supply pressure before the gas pressure regulator is never more than  $\frac{1}{2}$  psi for both natural gas or LP gas.

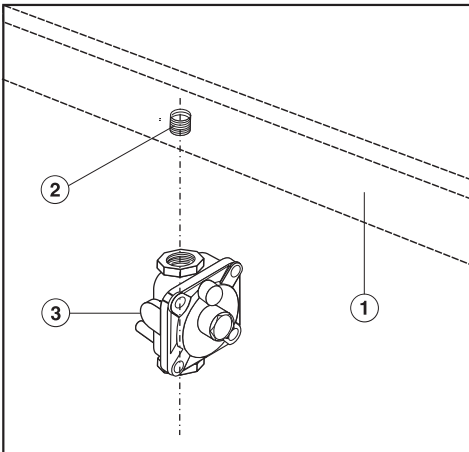
The minimum supply pressure to get the required gas input is  
6" w.c. for natural gas:  
10" w.c. for LP gas.



## Gas pressure regulator

A pressure regulator that is convertible from natural to LP gas (Propane) or vice versa is included with the appliance. The included regulator corresponds with the gas type of the cooktop. Verify before installing.

The adjusted pressure is:  
natural gas - 4" w.c.  
LP gas - 10" w.c.



- ① Cooktop
- ② ½" NPT
- ③ Regulator

As shown in the above diagram, the included regulator **must** be used when connecting the Miele cooktop to your gas supply. This item has been customized by Miele to meet all applicable safety requirements. Make sure the regulator is easily accessible for adjustment after the appliance has been installed.

For convenience, an AGA or CGA approved flexible stainless steel gas hose (accordion type) may be used between the gas connection and the regulator. This will allow the appliance to be lifted out of the countertop for cleaning or servicing. Make sure that any drawers, cabinet doors, etc., do not rub on this gas hose.

Do not use any regulator unless it has been supplied by Miele. Doing so may cause a gas leak.

If there is any doubt concerning installation contact the Miele Technical Service Department at:

**(USA)** 1-800-999-1360  
techserv@mieleusa.com

**(CDN)** 1-800-565-6435  
service@miele.ca

**After connecting the appliance check all fittings for gas leaks e.g. with soapy water.**

When installed properly, the flame will be steady and quiet. It will also have a sharp, blue inner core that will vary in length proportional to the burner size. Flame adjustment will not be necessary.

# Gas connection

---

## Nominal ratings

### KM 404

Front burner	BTU/hr	kW
Maximum output	6000	1.75
Minimum output	1000	0.29
Rear burner		
Maximum output	10000	2.93
Minimum output	1600	0.47

### KM 406

	BTU/hr	kW
Maximum output	17500	5.13
Minimum output	620	0.18

## Converting to another type of gas

---

The cooktop should have been ordered for connection to either natural gas or LP gas (propane).

If the cooktop is not configured for the proper type of gas connection please contact your Miele Dealer.

If the appliance is to be connected to a type of gas other than it was originally configured for, both the regulator and burners must be converted. A conversion kit is available as an optional accessory from the Miele Technical Service Department.





When contacting the Technical Service,  
please quote the model and serial number  
of your appliance.

---

The Miele logo is displayed in a bold, white, serif font against a solid black rectangular background.

**Miele, Inc.** (USA)

**National Headquarters**

9 Independence Way  
Princeton, NJ 08540  
Phone: 800-843-7231  
609-419-9898  
Fax: 609-419-4298  
[www.mieleusa.com](http://www.mieleusa.com)

**Technical Service & Support  
Nationwide**

Phone: 800-999-1360  
Fax: 888-586-8056

**Miele Limited** (CDN)

**National Headquarters**

55G East Beaver Creek Road  
Richmond Hill, ON L4B 1E5  
Phone: 800-643-5381  
905-707-1171  
Fax: 905-707-0177  
[www.miele.ca](http://www.miele.ca)  
[info@miele.ca](mailto:info@miele.ca) (general enquiries)  
[professional@miele.ca](mailto:professional@miele.ca) (commercial enquiries)

**Mielecare National Service**

Phone: 800-565-6435  
905-850-7456  
Fax: 905-850-6651  
[service@miele.ca](mailto:service@miele.ca) (Tech. Service)