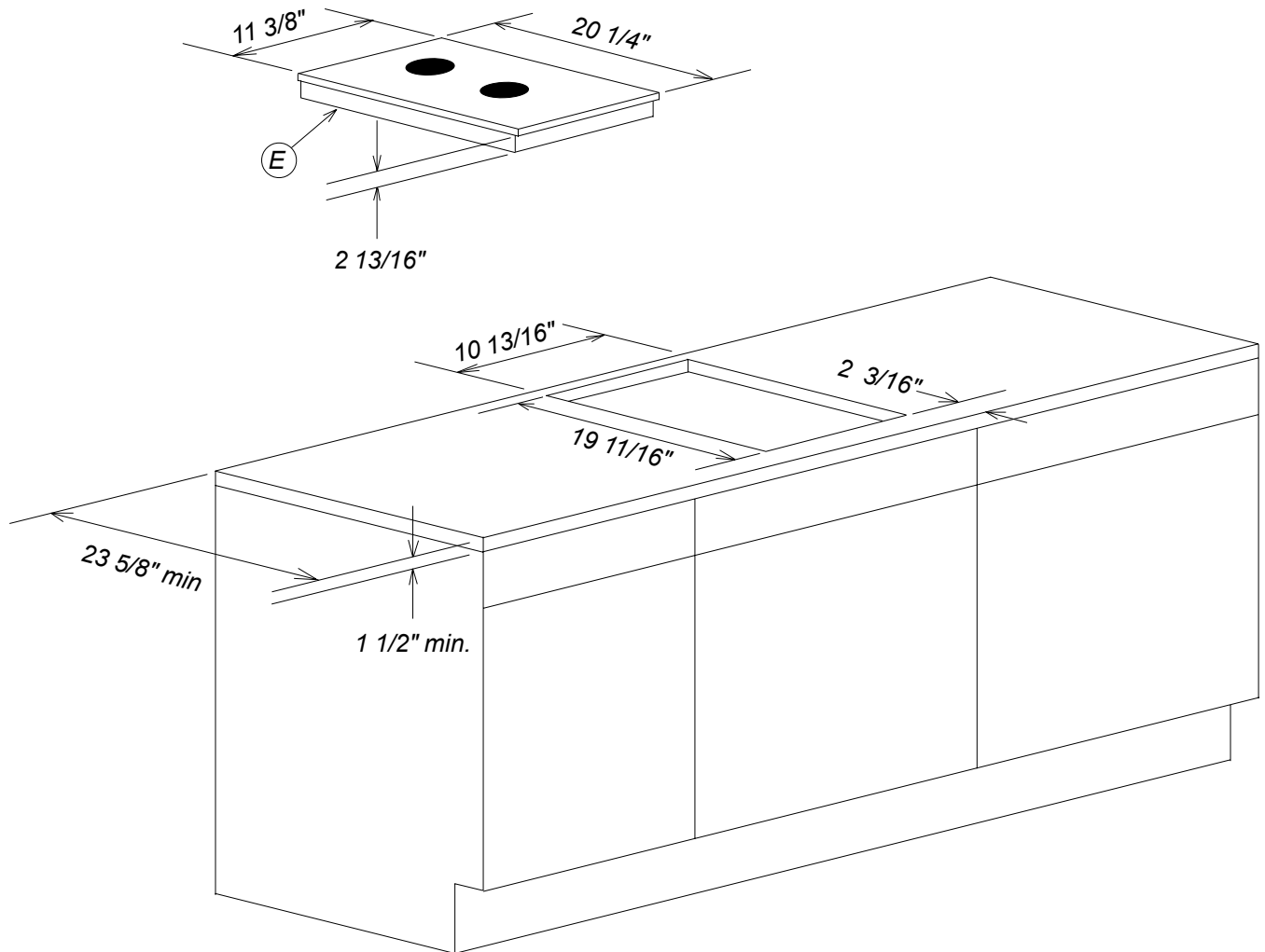


# Product and Cut-out Dimensions

## Modular Combiset Program

### 2 Burner Gas Cooktop

#### KM404



#### Location Codes

*E* - 5 foot - 120 Volt - 15 Amp 3-wire power supply connects rear right bottom.

*G*- Gas connects rear left bottom. **MUST USE PROVIDED REGULATOR.**

#### Notes

- All installations must be done in accordance with local codes.
- Unit can be connected to either Liquid Petroleum (LP) or Natural Gas.

NOTE: Drawing is not to scale.  
SPECIFICATION SHEETS 010300