



# INSTALLATION MANUAL

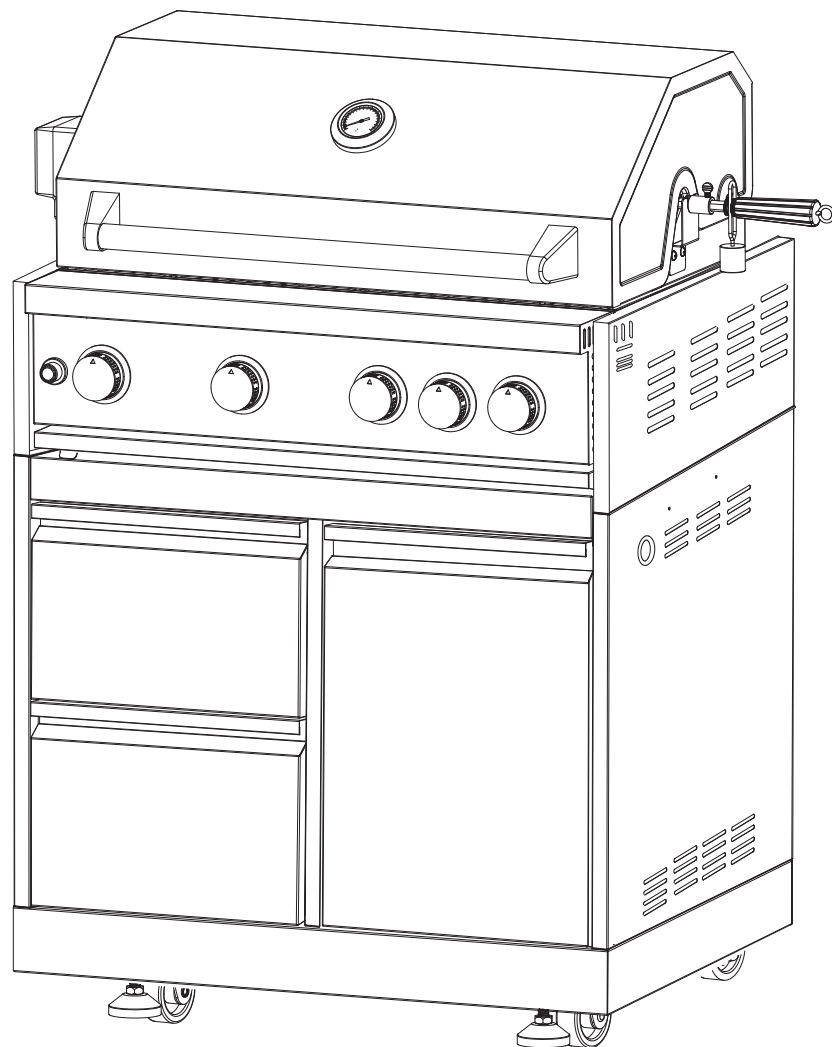
CABINET

## KoolMore Outdoor Kitchen System Grill Cabinet Modular

**Model:**

KM-OKS-BQ30CAB

(Compatible With The KoolMore Outdoor Kitchen System)



***Before using, please read the operating instructions carefully to ensure proper application and achieve satisfactory results.***

***For any service-related Issues, please contact  
us: Phone Number: 718-576-6342  
Email address: support@koolmore.com***

# IMPORTANT SAFETY WARNING

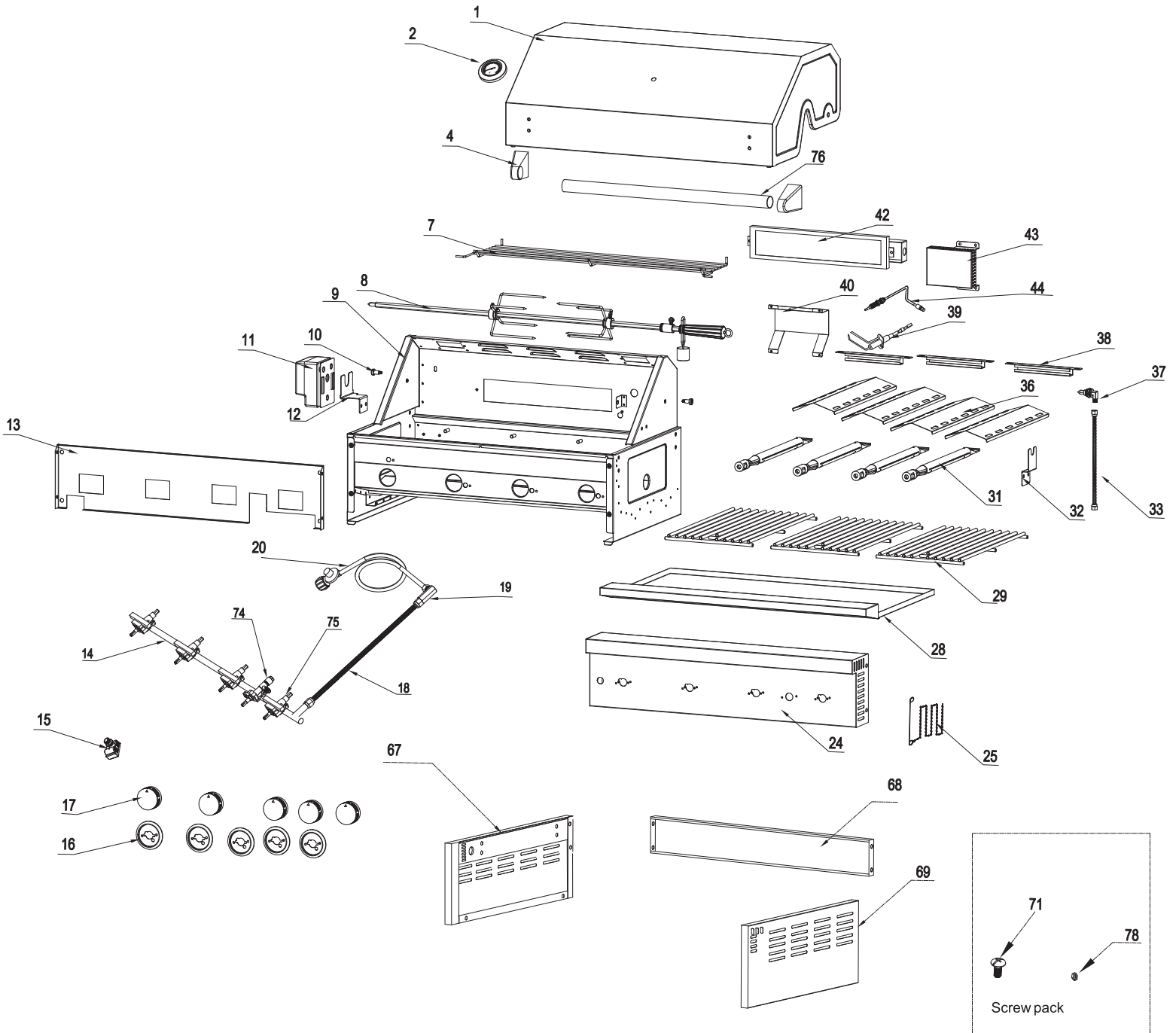
Adherence to the following instructions is crucial to prevent potential fire, explosion, property damage, personal injury, or even death:

- This manual provides important information on the assembly and operation of your appliance. Failure to follow these instructions precisely may lead to hazardous situations.
- Never store or use gasoline, or any other flammable substances or liquids in close proximity to this appliance or any other appliance.
- The assembly and installation of this appliance should be carried out by a qualified service agency or an authorized gas supplier.

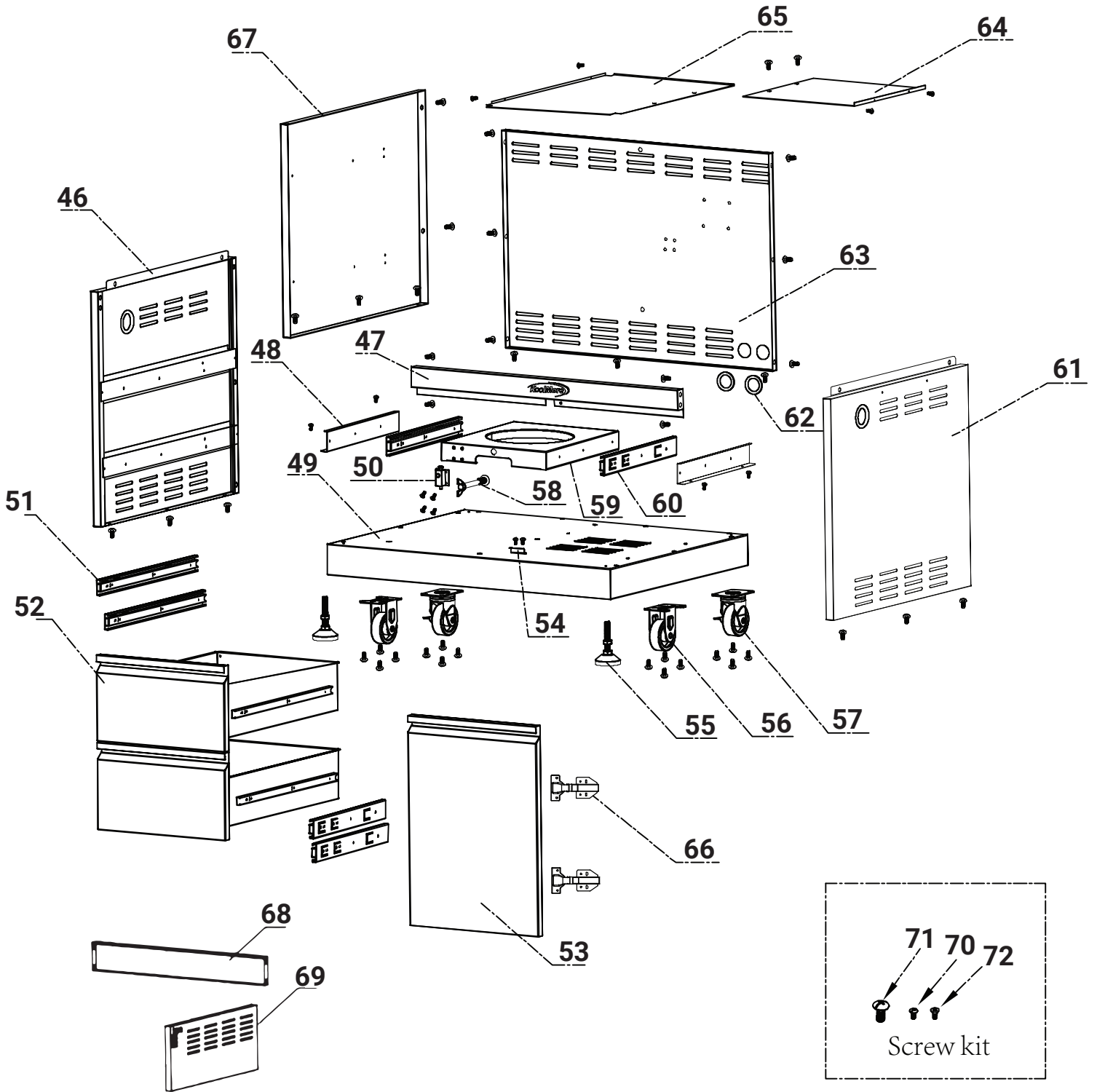
In case you detect a gas leak, observe the following precautions:

1. Avoid igniting any appliance.
2. Do not operate any electrical switches.
3. Without delay, contact your gas supplier from a neighbor's phone or a safe distance away.
4. Follow the instructions provided by the gas supplier.
5. If you are unable to get in touch with your gas supplier, immediately call the fire department.

# GRILL EXPLOSIVE DRAWING



# CABINET EXPLOSIVE DRAWING





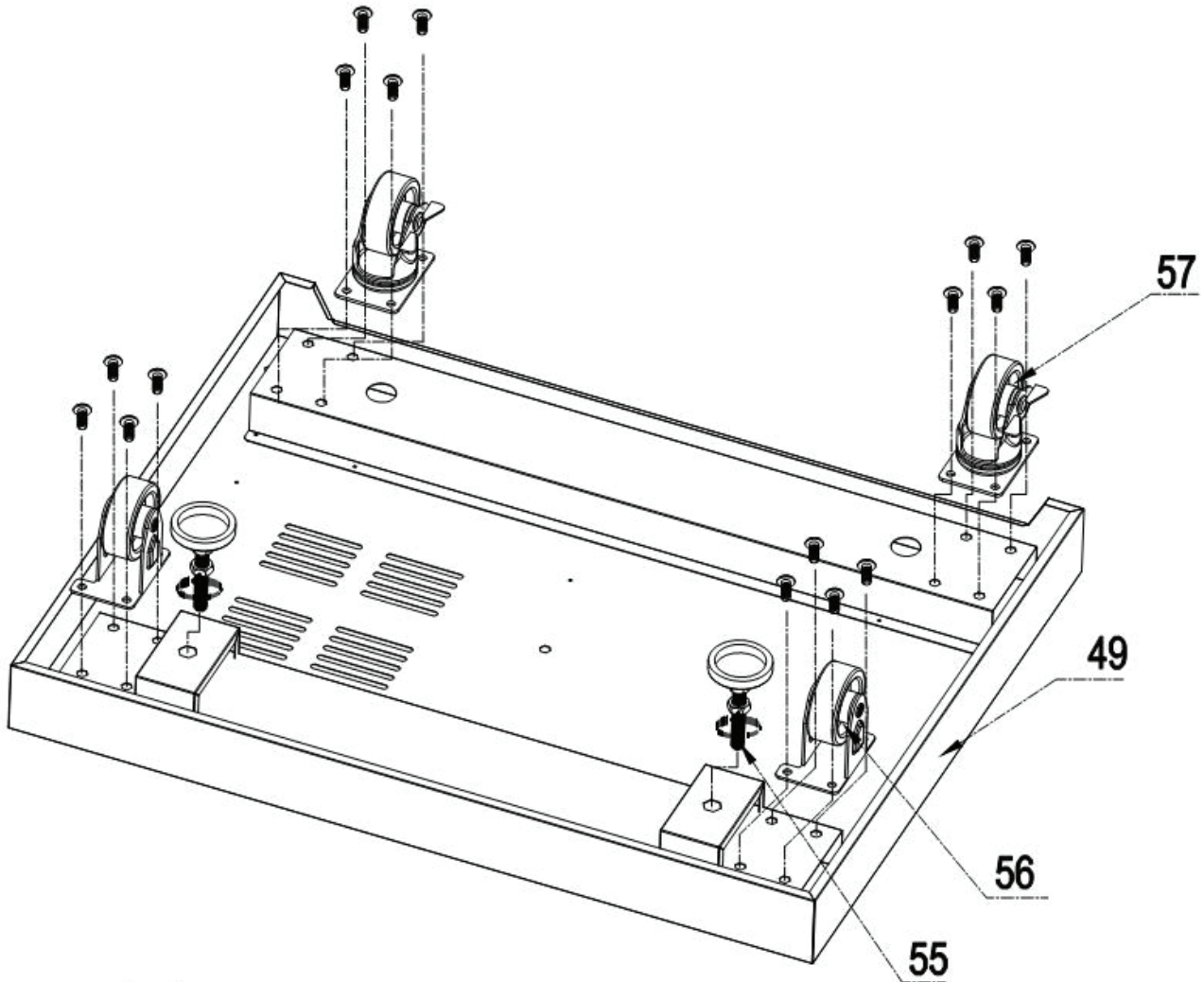
# PART LIST

Part No.	Part Name	Quantity
1	Grill Top Cover	1
2	Thermometer	1
4	Left Handle Holder	2
7	Top Warming Rack	1
8	Rotisserie	1
9	Grill Cavity	1
10	Top Cover Rotary Pin	2
11	Motor	1
12	Motor Holder	1
13	Burner Valve Holding Plate	1
14	Main Manifold	1
15	Point Spark Module	1
16	Knob City	5
17	Aknob	5
18	Corrugated Pipe	1
19	Embedded Joint	1
20	Gas Regulator and Gas Pipe	1
24	Grill Control Panel	1
25	Match Holder	1
28	Grease Tray	1
29	Cooking Rack	3
31	Tube Burner	4
32	Rotisserie Holder	1
33	Back Broil Burner Corrugated Pipe	1
36	Flame Tamer	4
37	Back Broil Burner Orifice	1
38	Flame Transferring Welding Plate	2
39	Back Broiler Burner Electrode	1
40	Back Broiler Burner Protection Cover	1
42	Back Broil Burner	1
43	Gas-Collecting Hood	1
44	Temperature Rod	1

Part No.	Part Name	Quantity
45	Clapboard Welding Part	1
46	Left Side Panel A Welding Assembly	1
47	Beam Welding Assembly	1
49	Tank Bottom Welding Assembly	1
51	Sideway	4/2
52	Drawer Assembly	2
52.1	Drawer Front Panel Welding Plate	2
52.2	Drawer Front Panel Lining	2
52.3	Drawer Middle Plate	2
52.4	Drawer Bottom Plate	2
53	Door Assembly	1
54	Door Barrier Strip	1
55	Supporting Leg	2
56	Fixed Caster	2
57	Universal Caster with Brake	2
58	Tank Fixing Rod	1
59	Tank Bottom Support	1
60	14" Sliders	2/1
61	Right Side Panel A Welding Assembly	1
62	Rubber Gasket	4
63	Back Panel A Welding Assembly	1
64	Gas Tank Heat Shield	1
65	Laminate Board	1
66	Door Hinge	2
67	Left Side Panel B Welding Assembly	1
68	Back Panel B Welding Assembly	1
69	Right Side Panel B Welding Assembly	1
70	5/32" Philips Thumb Head Screw	45
71	114**14 Philips Thumb Head Screw with Anti-Slip Design	4
71	114**14 Philips Thumb Head Screw with Anti-Slip Design	50
72	5/32" *8 Flat Head Screw	12
74	Back Broil Burner Valve	1
75	Main Burner Valve	4
76	Top Cover Handle	1
77	Cabinet Back Connecting Plate	2
78	Hex Nut 1/4	4

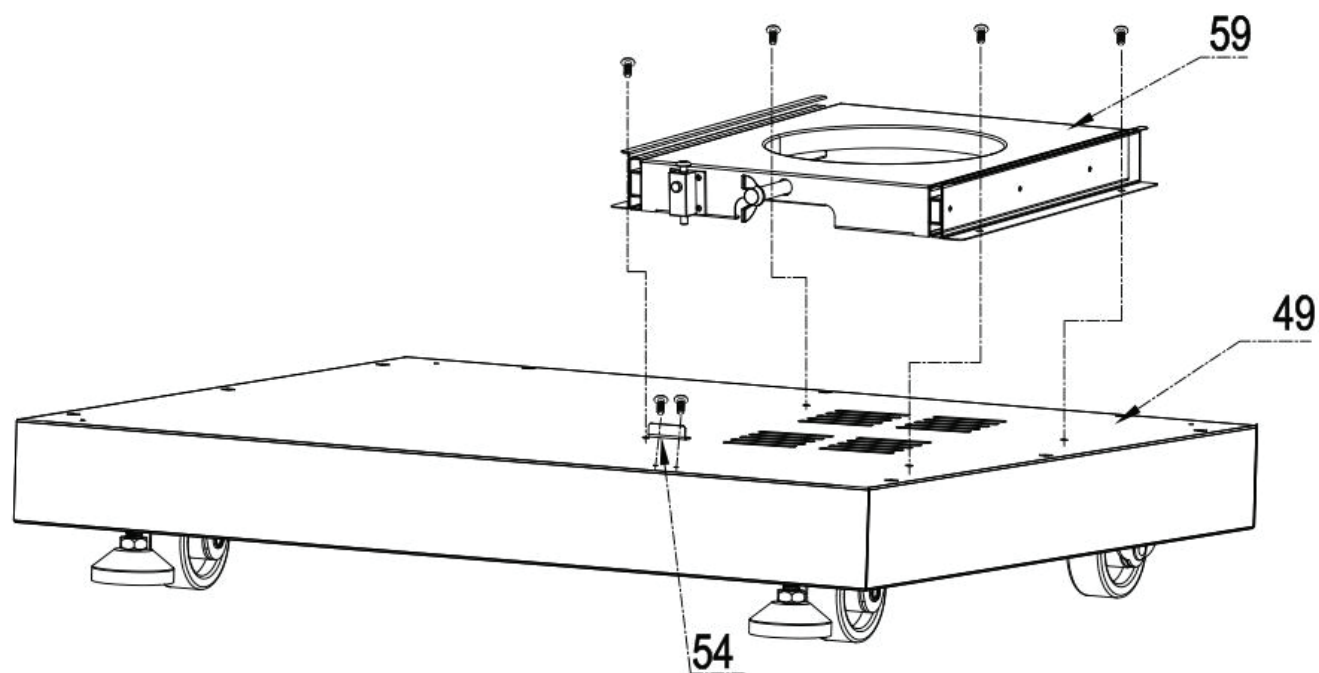
# CABINET INSTALLATION: STEP 1

1. Flip the Bottom Base Welding Assembly (Part #49) to prepare for the installation of legs and casters.
2. Using 16 pieces of ¼" \*14 Philips Thumb Head Screw with Anti-slip Design (Part #71), install 2 Supporting Legs (Part #55), 2 Fixed Casters (Part #56), and 2 Universal Casters with Brake (Part #57).



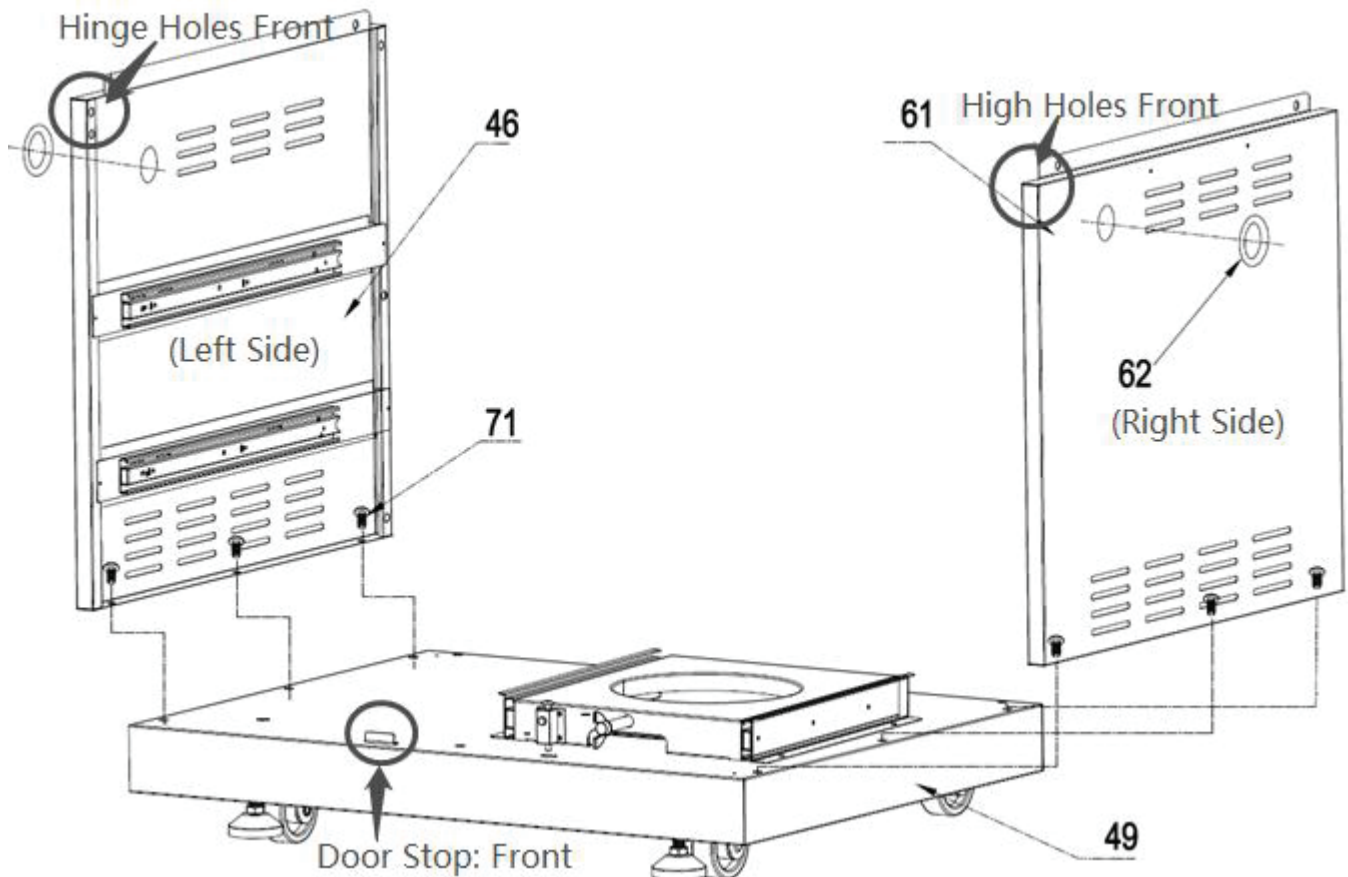
## CABINET INSTALLATION: STEP 2

1. Flip back the Bottom Base after the casters and legs are installed.
2. Use 4 pieces of 5/32" \*8 Flat Head Screw (Part # 72) to connect the Tank Bottom Support (Part # 59) to the Bottom Base Welding Assembly (Part # 49).
3. Use 2 pieces of 5/32" \*8 Flat Head Screw (Part # 72) to connect the Door Barrier Strip (Part # 54) to the



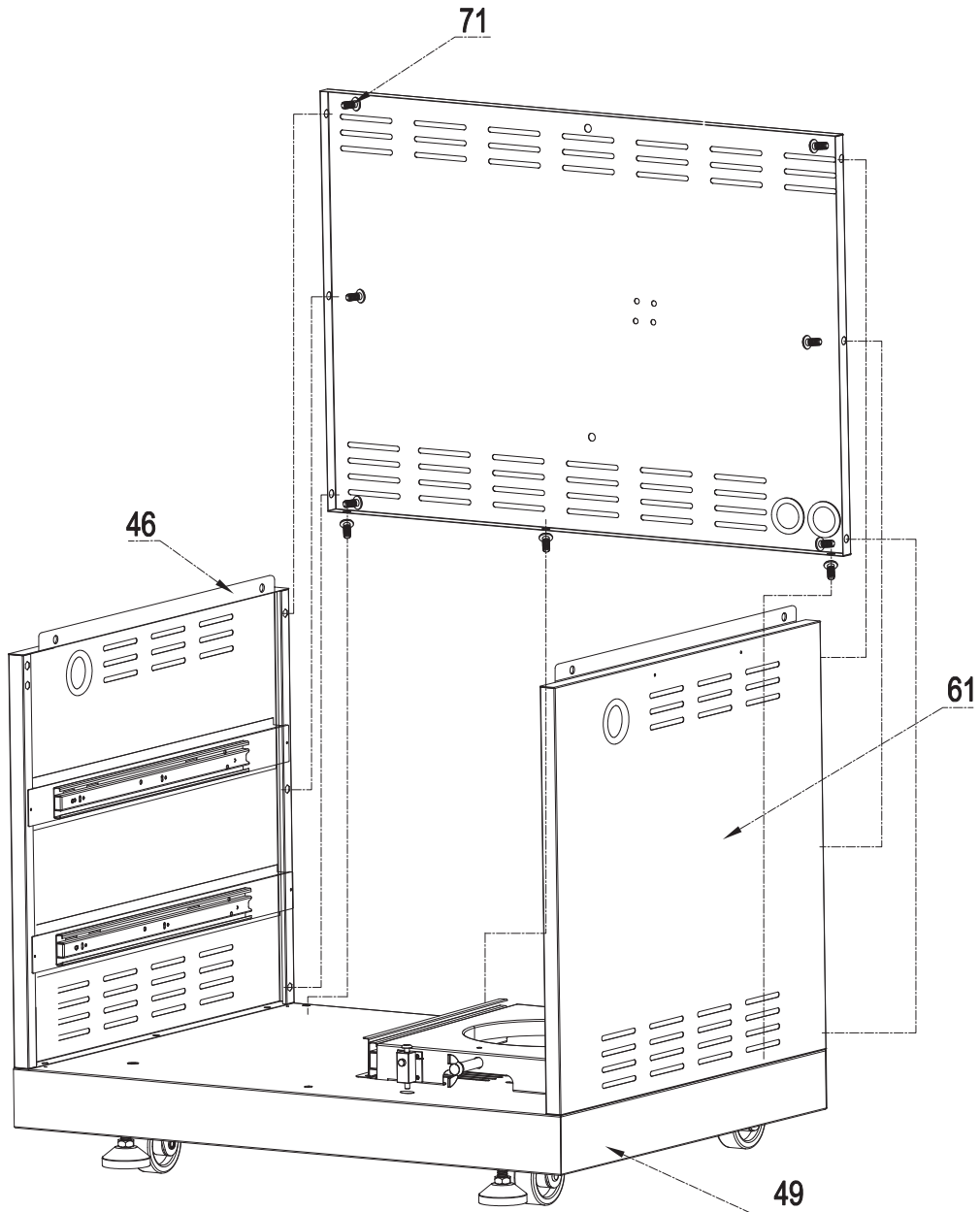
## CABINET INSTALLATION: STEP 3

1. Use 6 pieces of 1/4\*14 Philips Thumb Head Screw with Anti-slip Design (Part #71) to connect the Left Side Panel A Welding Assembly (Part #46) and the Right Side Panel A Welding Assembly (Part # 61) to the Bottom Base Welding Assembly (Part #49).
2. Attach 2 Rubber Gaskets (Part #62) to the relevant positions on Part #46 and Part #61.



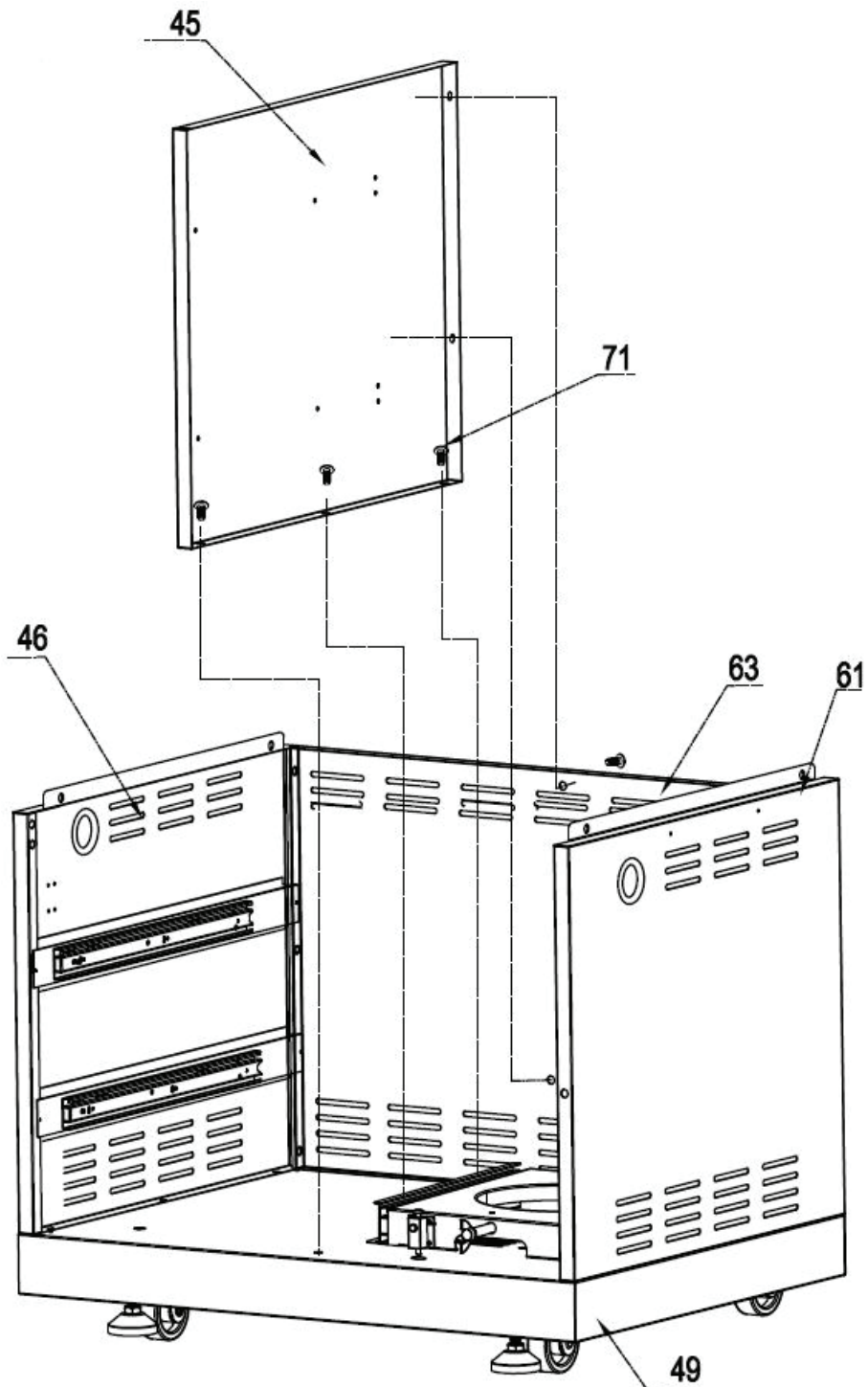
# CABINET INSTALLATION: STEP 4

1. Use 3 pieces of 1/4"×14 Philips Thumb Head Screw with Anti-slip Design (Part #71) to install the Back Panel A Welding Assembly (Part # 63) to the Bottom Base Welding Assembly (Part # 49).
2. Use an additional 3 pieces of 1/4"×14 Philips Thumb Head Screw with Anti-slip Design (Part #71) to connect the Back Panel A Welding Assembly (Part # 63) with Part # 46 and Part # 61.



## CABINET INSTALLATION: STEP 5

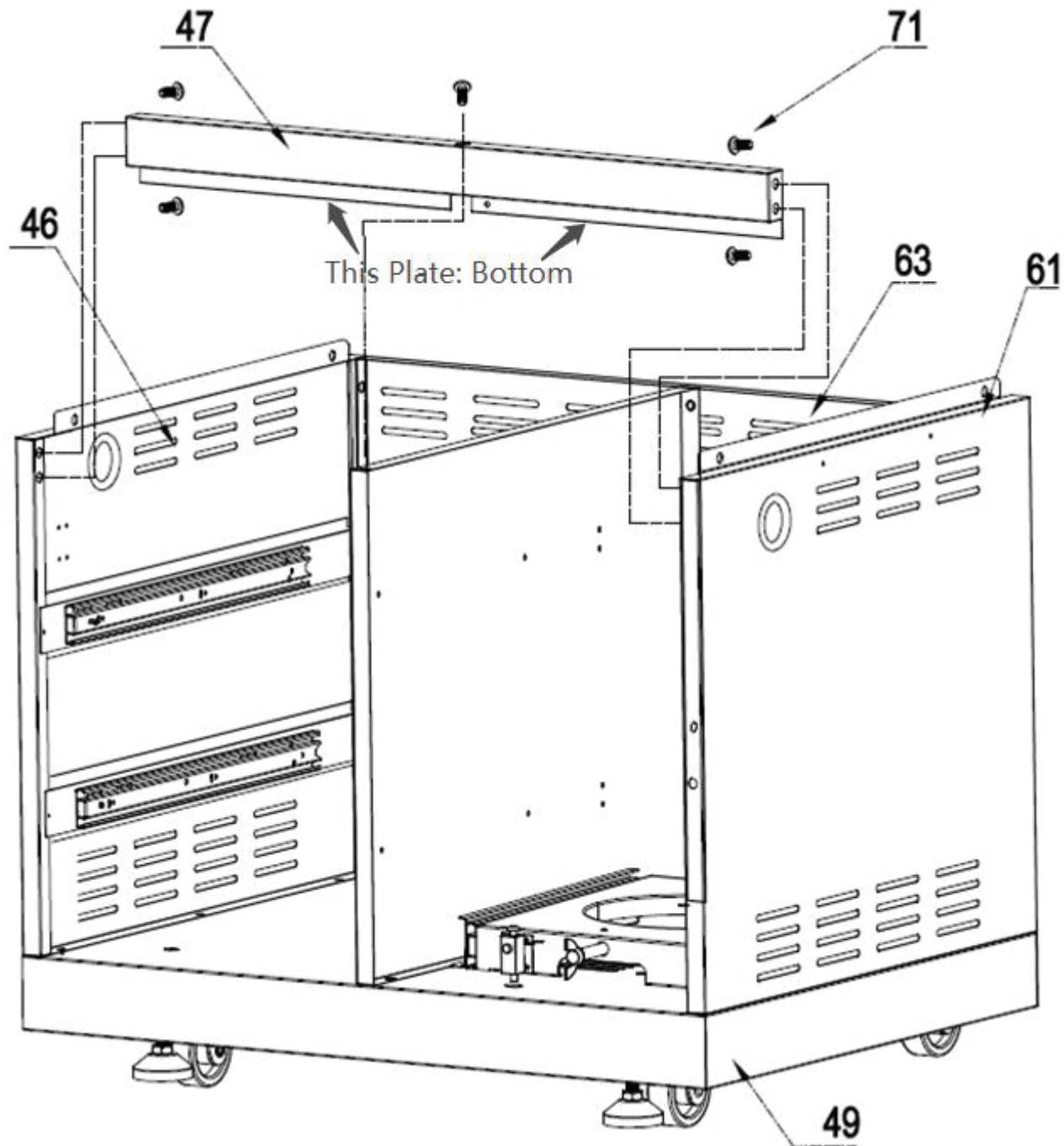
1. Use 5 pieces of 1/4\*14 Philips Thumb Head Screw with Anti-slip Design (Part #71) to connect the Clap-board Welding Part (Part # 45) with Part #49 and #63.





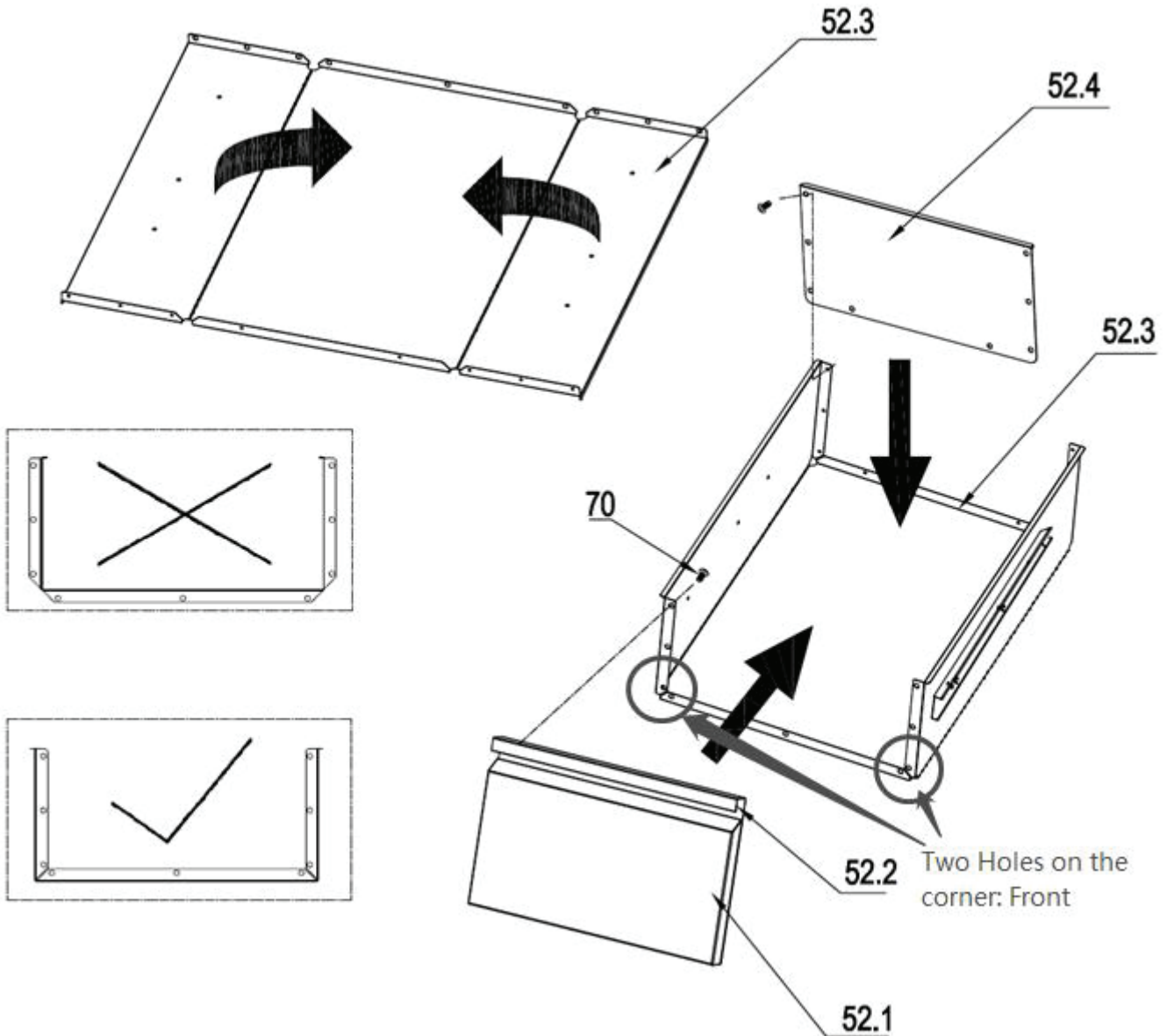
## CABINET INSTALLATION: STEP 6

1. Use 4 pieces of 1/4"\*14 Philips Thumb Head Screw with Anti-slip Design (Part #71) to connect the Beam Welding Assembly (Part # 47) with Part #46 and #61.



# CABINET INSTALLATION: STEP 6

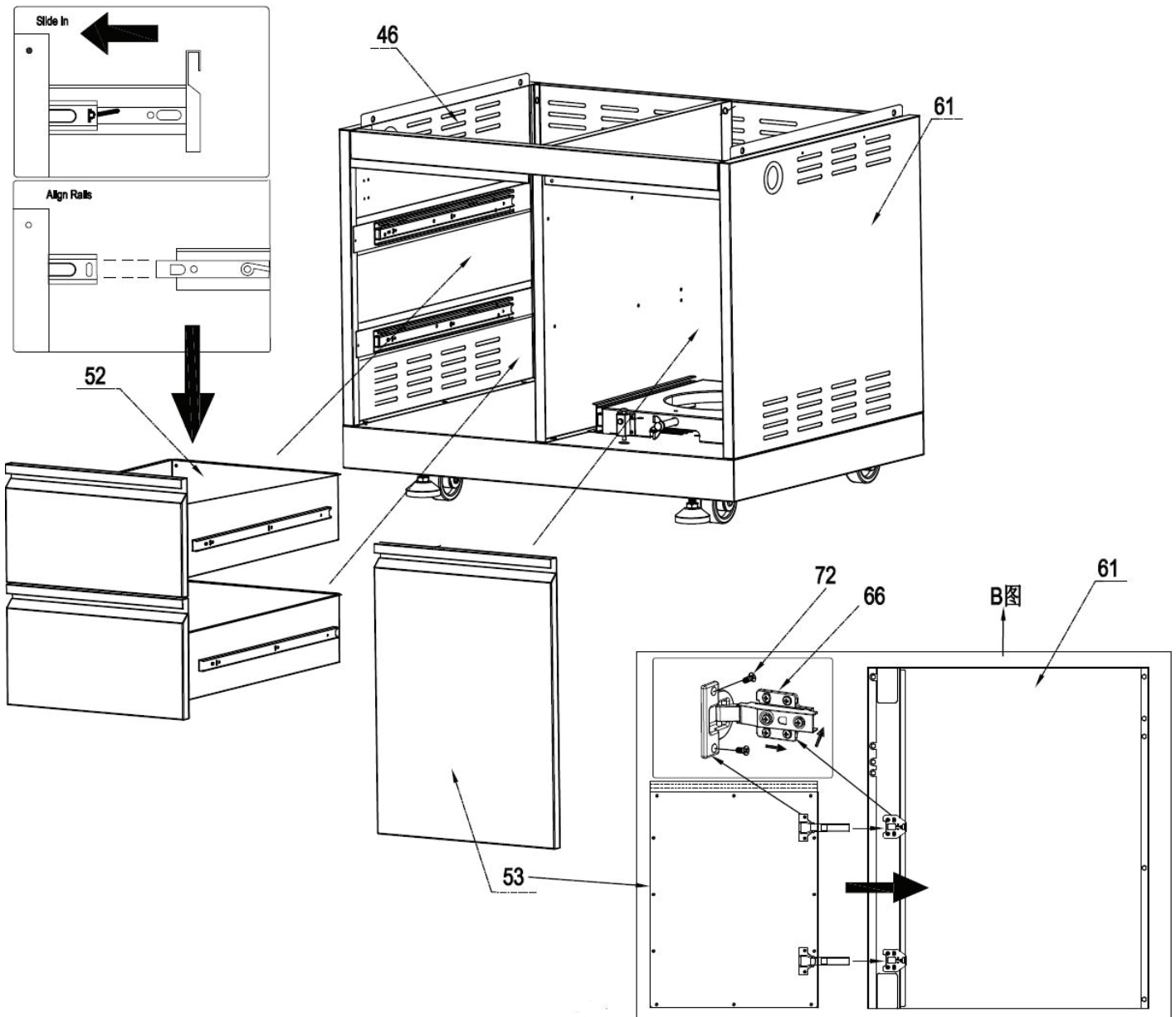
1. Check the edge of the middle plate of the Drawer Assembly (Part #52) and ensure that the side with the edge is facing up.
2. Use 8 pieces of 5/32" Flat Head Screw (Part # 70) to install the Bottom Plate of the Drawer Assembly (Part# 52.4) to the Middle Plate (Part# 52.3).
3. Use an additional 8 pieces of 5/32" Flat Head Screw (Part # 70) to install the Front Plate of the Drawer (Part# 52.1 and 52.2) to the Middle Plate (Part# 52.3).





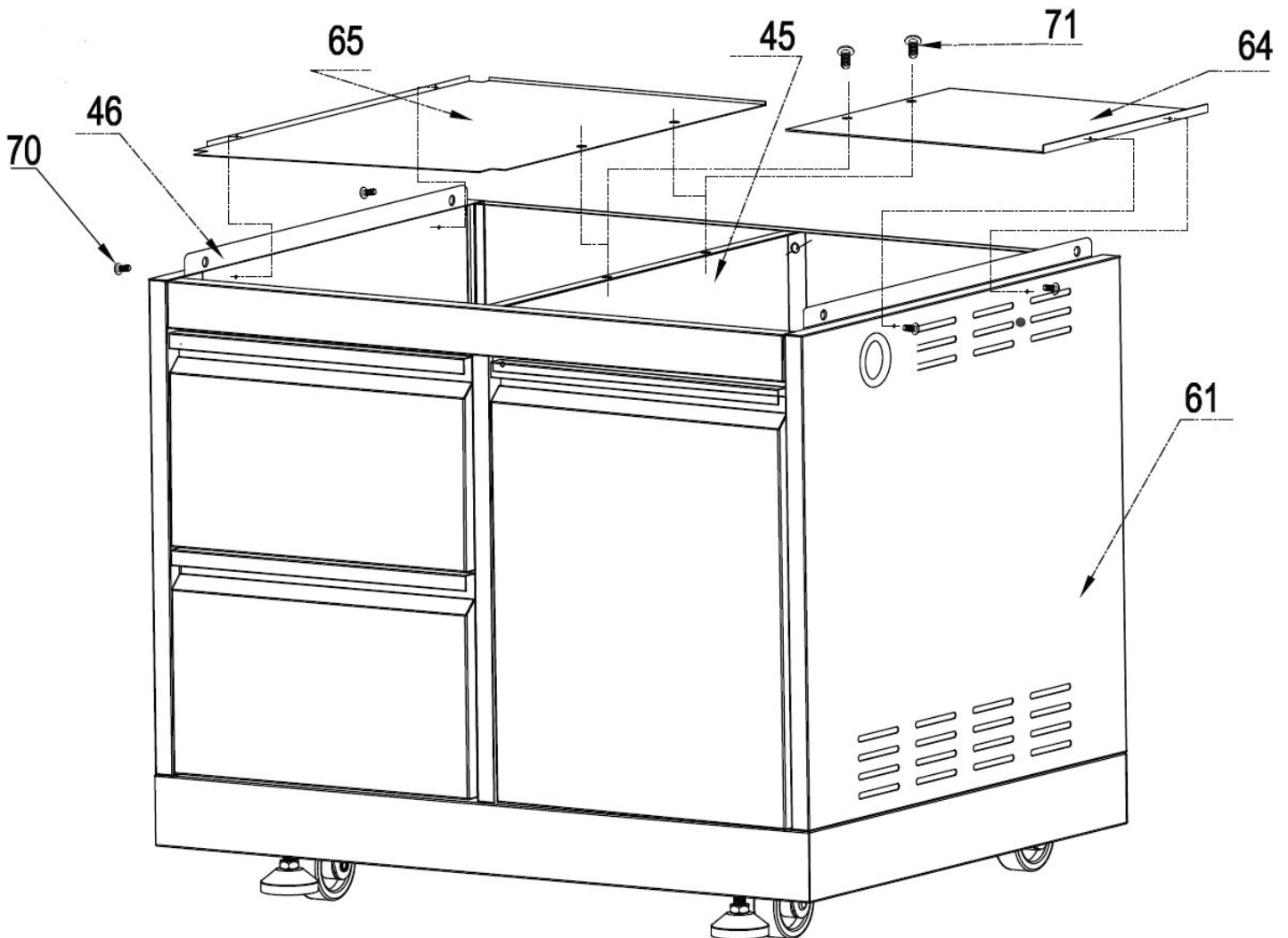
# CABINET INSTALLATION: STEP 7

1. Insert 2 Drawer Assemblies (Part #52) into the Cabinet Body.
2. Detach the two parts of the Door Hinge (Part #66) and use a 5/32" \*8 Flat Head Screw (Part #72) to install them to the Right Side Panel (Part #61) and the Cabinet Door (Part #53).
3. Follow the provided diagram to install the Cabinet Door (Part # 53).



## CABINET INSTALLATION: STEP 8

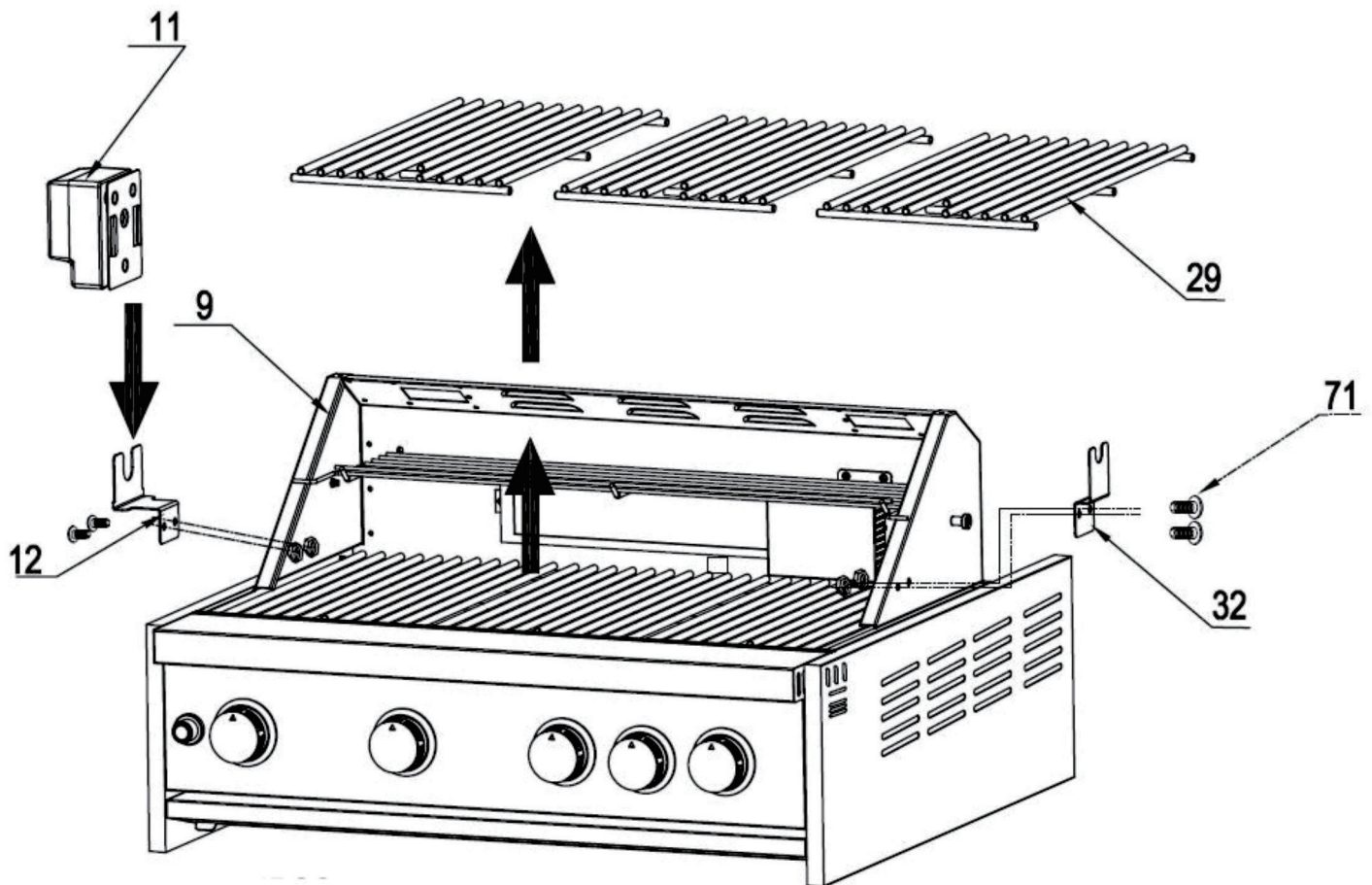
1. Use 2 pieces of 5/32" \*8 Flat Head Screw (Part # 72) to install the Laminate Board (Part #65) to the Left Side Panel A Welding Assembly (Part #46).
2. Use 2 pieces of 5/32" \*8 Flat Head Screw (Part # 72) to install the Gas Tank Heat Shield (Part #64) to the Right Side Panel A Welding Assembly (Part #61).
3. Use 2 pieces of 1/4\*14 Philips Thumb Head Screw with Anti-slip Design (Part #71) to install Part #64 and Part #65 to the Clapboard Welding Part (Part #45).



## CABINET INSTALLATION: STEP 9

In this first step of installing the outdoor grill, we're going to secure the motor holder, the rotisserie holder, and reinstall the cooking racks. Here's how to do it:

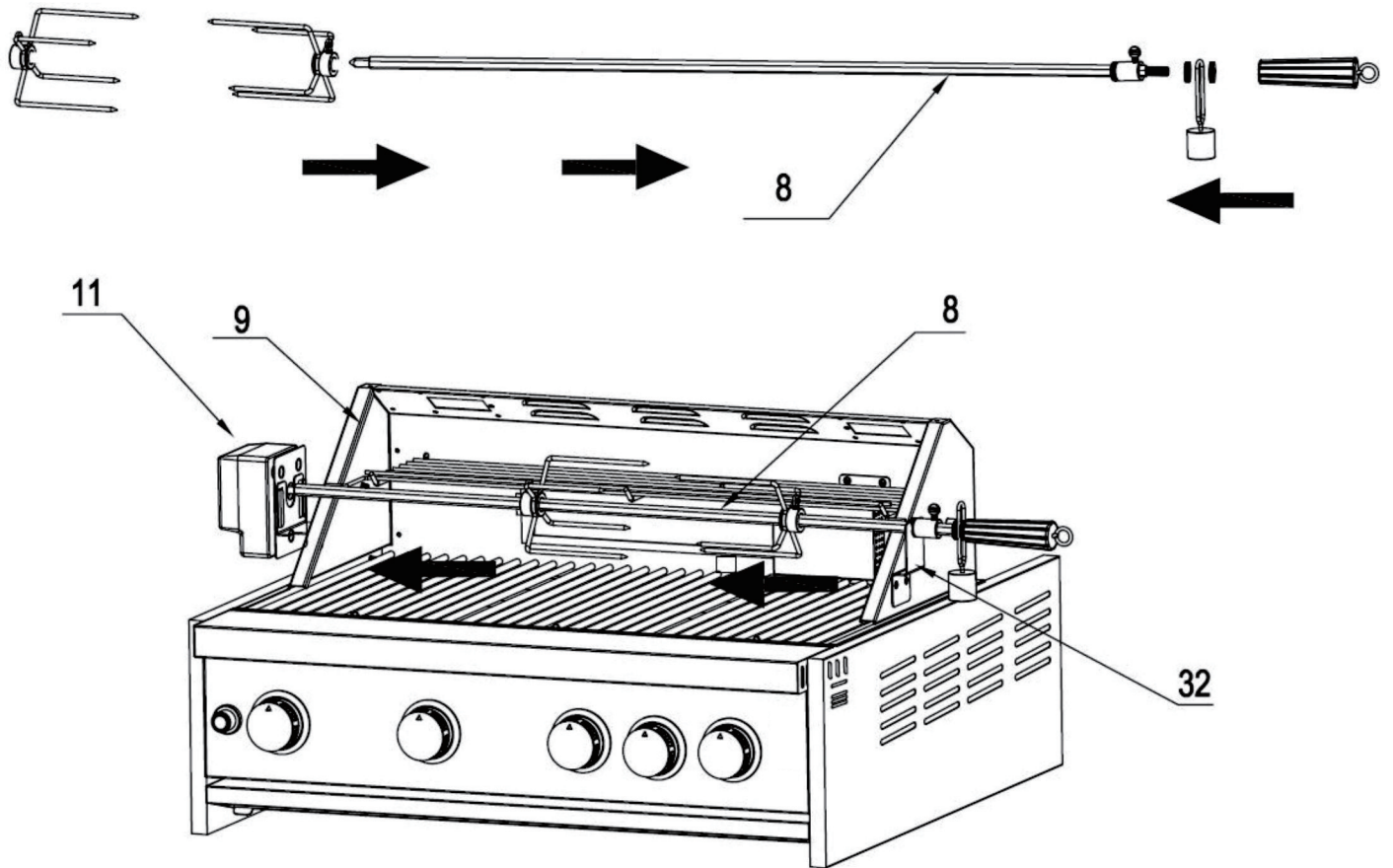
1. Start by opening the Grill cover. For safety and to avoid any potential damage, remove all three Cooking Racks (Part #29) for the main burners.
2. Once the cooking racks are safely set aside, use 2 pcs of 1/4"\*14 Philips thumb head screws with an anti-slip design (Part #71) to secure the Motor Holder (Part #12) to the Grill Cavity (Part #9).
3. Next, use another 2 pcs of 1/4"\*14 Philips thumb head screws (Part #71) to attach the Rotisserie Holder (Part #32) to the Grill Cavity (Part #9).
4. Now, place the Motor (Part #11) on top of the newly installed Motor Support (Part #12).
5. Finally, put back the three Cooking Racks (Part #29) to their original places in the grill.
6. Please double-check your work for secure fastening and correct positioning. If everything is installed correctly, you can proceed to the next step.



# GRILL INSTALLATION: STEP 1

The second step involves setting up the rotisserie with the motor. Follow these instructions:

1. Begin by placing the Motor (Part #11) on top of the Motor Support (Part #12). Make sure it sits securely on the support.
2. Then, take the Rotisserie (Part #8). Insert its sharp end into the Motor (Part #11). This connection will allow the motor to rotate the rotisserie.
3. Finally, rest the other end of the Rotisserie (Part #8) on top of the Rotisserie Holder (Part #32).

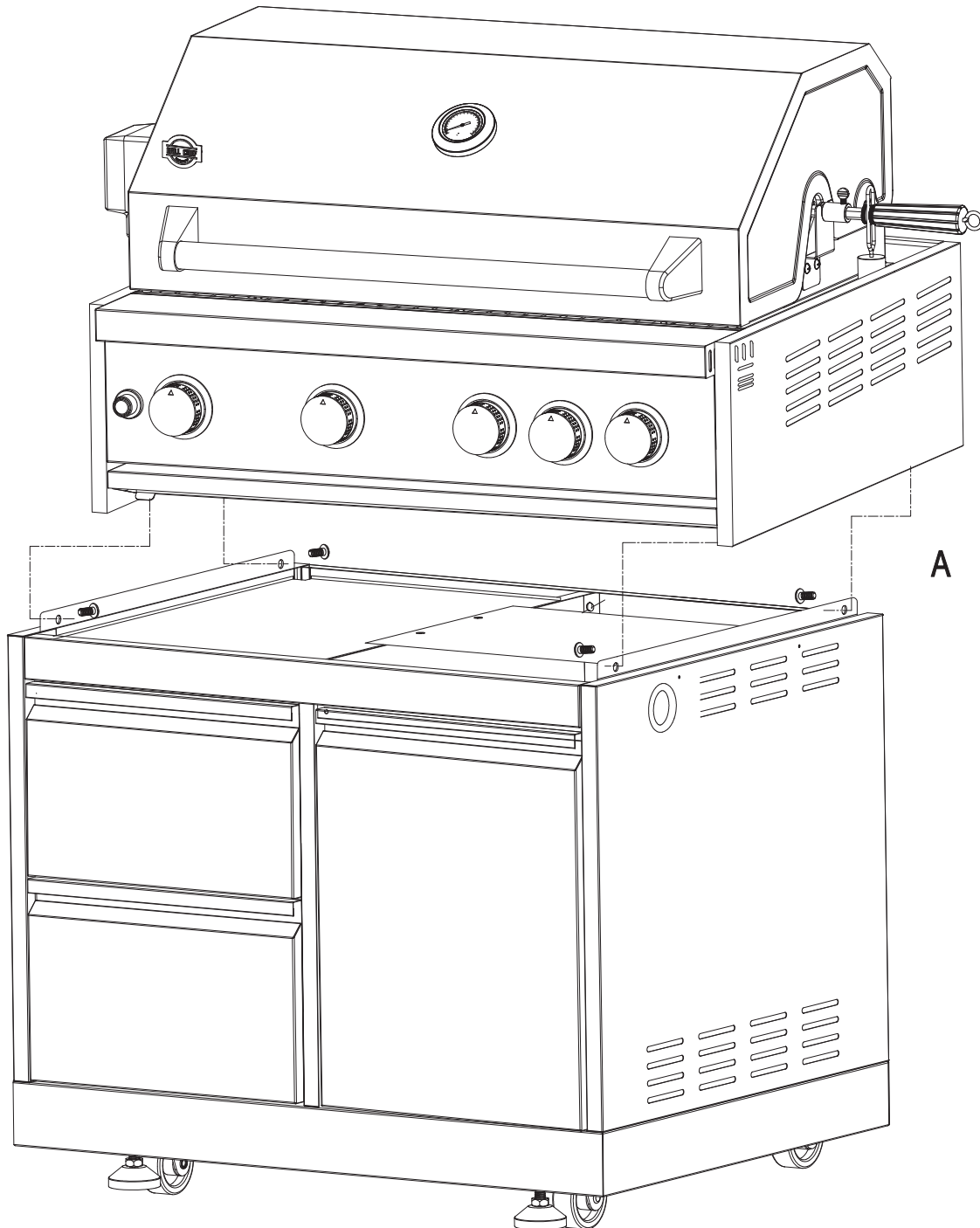


## GRILL INSTALLATION: STEP 2

The third step involves combining the grill and cabinet components. Follow these instructions:

1. Start by positioning the Grill Body over the Cabinet Body. Make sure that the components align correctly.
2. Secure the Grill Body to the Cabinet Body by using 4 pieces of the 1/4"\*14 Philips Thumb Head Screw with Anti-slip Design (Part #71). Make sure all screws are tightened securely to ensure stability.

It's crucial at this point to check for any potential gas leaks. Please refer to your user manual for detailed instructions on how to conduct a gas leak test. Safety is paramount when working with gas grills, so do not skip this step. Once the test is passed successfully, you can proceed to the next step of the installation.





# KOOLMORE OUTDOOR KITCHEN SYSTEM: CONNECTING CABINETS

The Kitchen Outdoor Cabinet can be connected with various other cabinet models. Here are the steps to connect different types of cabinets:

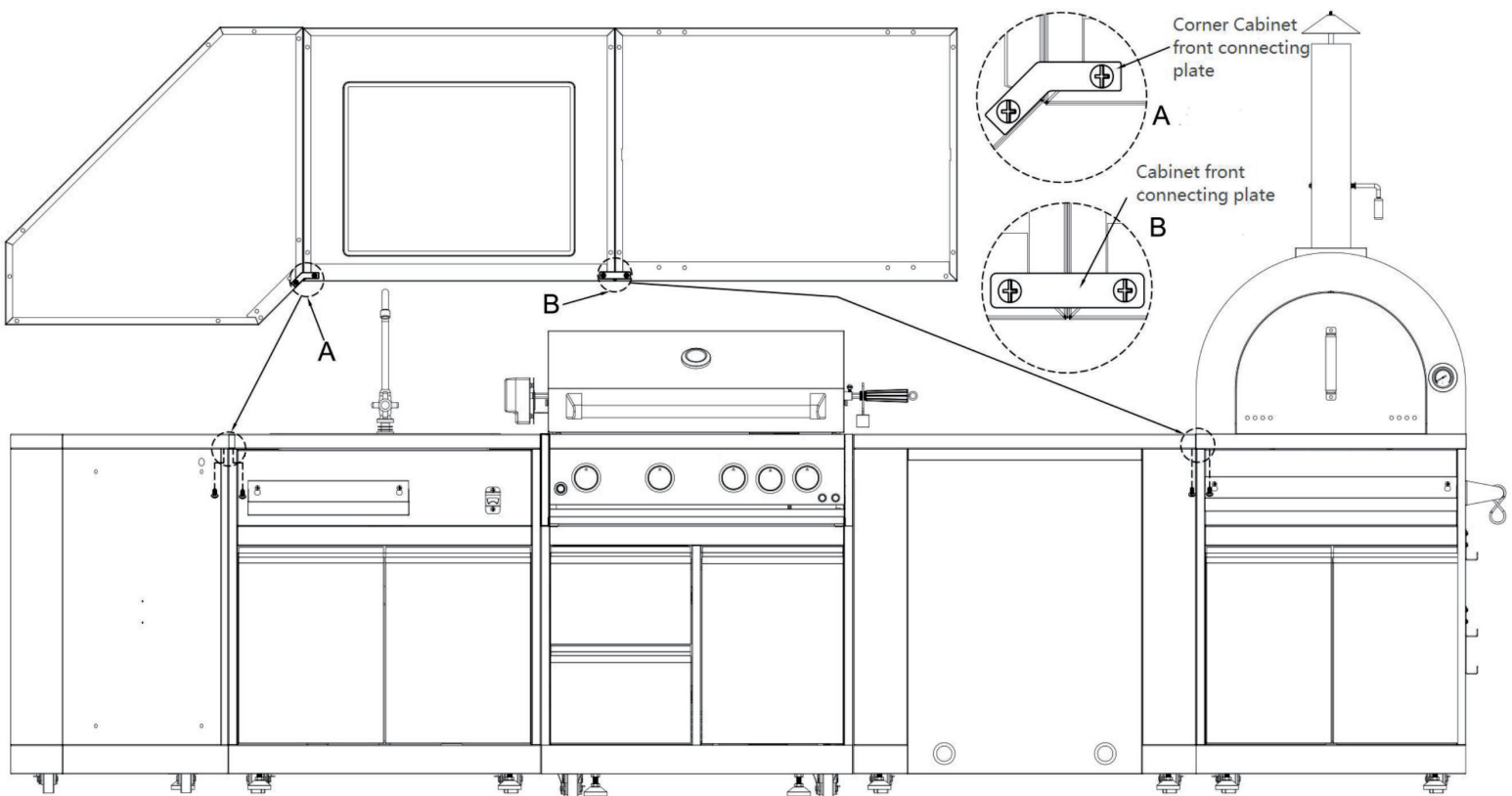
## Connecting a Corner Cabinet

1. If you have a Corner Cabinet and you want to connect it with another cabinet, use the Corner Cabinet Connecting Plate.
2. Secure both cabinets together using 2 pcs of  $\frac{1}{4}$ " screws (also included with Part # 71).

## Connecting a Sink Cabinet, Appliance Cabinet, or Pizza Oven Cabinet

1. If you have a Sink Cabinet, Appliance Cabinet or Pizza Oven Cabinet that you want to connect with another cabinet, use the Cabinet Connecting Plate.
2. Secure both cabinets together using 2 pcs of 4" screws.

Make sure to align the cabinets properly before tightening the screws to ensure that they are connected straight and even.



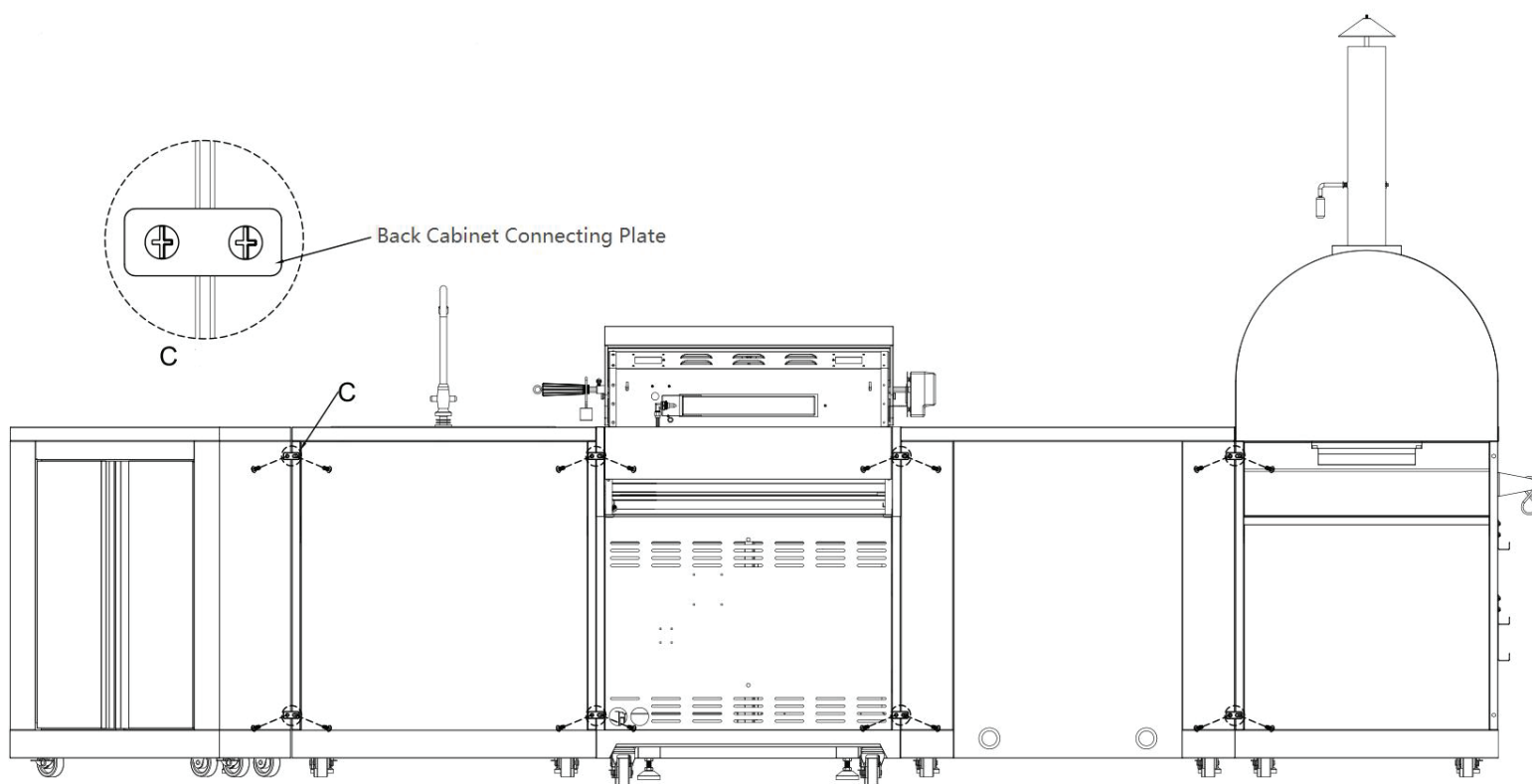
# KOOLMORE OUTDOOR KITCHEN SYSTEM: BACK PANELS

The Kitchen Outdoor Cabinet can be connected with various other cabinet models. Here are the steps to connect different types of cabinets:

## Connecting Back Panels

1. If you have two cabinets you want to connect at the back panels, use the Back Cabinet Connecting Plate.
2. Secure both cabinets together using 2 pcs of ¼" screws (Part # 71).

Make sure the back panels are aligned properly before tightening the screws to ensure a stable and straight connection. Always check the overall stability of the connected cabinets before proceeding with further installation or use.





# WARRANTY

## LIMITED WARRANTY

---

Koolmore Supply, Inc. extends a limited warranty to the original purchaser, guaranteeing that this Koolmore product is free from manufacturing defects in material or workmanship for one year from the date of purchase.

Should you discover any such defect within the warranty period, Koolmore Supply, Inc., reserves the right to repair or replace the product without charge, or to cover the cost of replacement parts and repair labor needed to correct defects present at the time of purchase or resulting from regular usage, when the appliance has been installed, operated, and maintained as per the instructions provided.

At its sole discretion, Koolmore Supply Inc. may decide to replace the product. In such an event, your replacement appliance will carry the warranty for the remaining term of the original unit's warranty period.

This warranty is valid exclusively to the original purchaser of the product and only applicable within the United States. The warranty commences from the date of original consumer purchase. Proof of the original purchase date will be required to obtain service under this warranty.

Under this limited warranty, your sole and exclusive remedy will be product repair, as outlined above. All services must be provided by a Koolmore-designated service company.

To claim warranty or request repair service:

Email [support@koolmore.com](mailto:support@koolmore.com). Please include your name, address, phone number, warranty repair request, and a copy of your proof of purchase receipt. Alternatively, visit [koolmore.com](http://koolmore.com) and use the contact us page. A Koolmore customer service representative will promptly arrange service for your appliance.

We thank you for choosing Koolmore.

## WARRANTY EXCLUSIONS

---

This limited warranty will not cover:

1. Failure of the product to perform during power failures or interruptions, or due to inadequate electrical service.
2. Damage incurred during transportation or handling.
3. Damage caused by accidents, vermin, lightning, winds, fire, floods, or acts of God.
4. Damage resulting from accidents, alterations, misuse, abuse, improper installation, repair, or maintenance. This includes using any external device that alters or converts the voltage or frequency of electricity.
5. Unauthorized product modifications, repairs by unauthorized centers, or use of non-approved replacement parts.
6. Abnormal cleaning and maintenance not aligned with the user's manual.
7. Use of incompatible accessories or components.
8. Any costs associated with repairs or replacements under these excluded circumstances shall be the responsibility of the consumer.



