



# SPEC SHEET

## Outdoor Kitchen Suite With White Rock Beam Countertop, 4 Burner Grill, Refrigerator, and Stainless Steel Sink

Model: KM-OKS-3585

### FEATURES

- **KoolMore Reserve Series:** Designed as a premium outdoor kitchen solution with integrated components and upgraded materials for durability and long-term outdoor use.
- **4-Burner Gas Grill (48,000 BTU Total Output):** Equipped with four burners rated at 12,000 BTU each, delivering consistent heat output for a variety of cooking needs.
- **Convertible Fuel System (LP + NG Kit Included):** Configured for propane use with an included natural gas conversion kit, allowing flexibility based on installation requirements.
- **Sintered Stone Countertop:** White rock beam sintered stone surface provides a durable, non-porous work area designed for outdoor environments.
- **304 Stainless Steel Construction:** Built with stainless steel components for resistance to corrosion and durability in outdoor conditions.
- **Integrated Sink and Faucet:** Includes a built-in sink with faucet (17.32" height) and standard plumbing connections (1.6" inlet / 1.2" drain) for food prep and cleaning.
- **Built-In Refrigerator with LED Interior Lighting:** Features a temperature range of 37–61°F, blue LED lighting, and a triple-pane tempered glass door for visibility and insulation.
- **Storage Cabinets with Integrated Trash Bin:** Three cabinets provide enclosed storage, along with a 7.9 gallon removable trash container for waste management.
- **Mobile Design with 8 Casters:** Allows the unit to be repositioned easily without disassembly, supporting flexible outdoor placement.
- **3-Year Warranty with Certified Components:** Backed by a 3-year warranty and includes safety-certified components, with the grill CSA certified and the refrigerator UL listed for compliance with North American safety standards.



### CLOSE UP IMAGES



# Technical Specs

## Dimensions

Length	82.68 in
Width	27.56 in.
Height	54.72 in.
Weight Lbs	485
Countertop Material	Sintered Stone
Color	White and Stainless-Steel
Casters	8

## Grill Data

Number Of Burners	4
Total BTU	48,000
Burner No1 BTU	12,000
Burner No2 BTU	12,000
Burner No3 BTU	12,000
Burner No4 BTU	12,000
Burner Grate Material	Stainless-Steel 304
Grate Thickness	.3 in.
Cooking Area Sq. In.	453 in.
Fuel Type	LP
Convertible to NG	Yes
Conversion Kit Included	Yes
Thermometer	Yes
Number Of Grates	3
Control Location	Right Side
Ignition Type	Pulse

## Refrigerator

Gross Cubic Feet	2.22 cu. ft.
Temperature Range	37–61 °F
Ambient Temperature Range	38–100 °F
Defrost Type	Automatic
Cooling Type	Automatic
Refrigerant Type	R600a
Control Type	Mechanical
Door Handle	Standard
Door Handle Color	Stainless Steel
Depth Excluding Handles	32.31 in
Depth Including Handles	34.8 in
Depth Less Door	29.2 in
Interior Material	Stainless Steel 304
Door Material	Stainless Steel & Glass
Door Style	Swing
Glass Type	Triple-Pane
Noise	38 dB
Alarms	No
Number of Doors	1
Shelves Adjustable	Yes
Number of Shelves	3
Shelf Material Type	Stainless Steel 304
Self-Closing Door	Yes
Interior Lights	LED
Safety Lock	Yes
Interior Lights Color	Blue
Interior Lights Location	Top
Compressor Location	Bottom

## Sink

Sink Material	Stainless Steel
Diameter Of Drain Line Connection	1.2 in.
Diameter of Water Line Connection	1.6 in.
Faucet Height	17.32 in.
Faucet Included	Yes

# Technical Specs

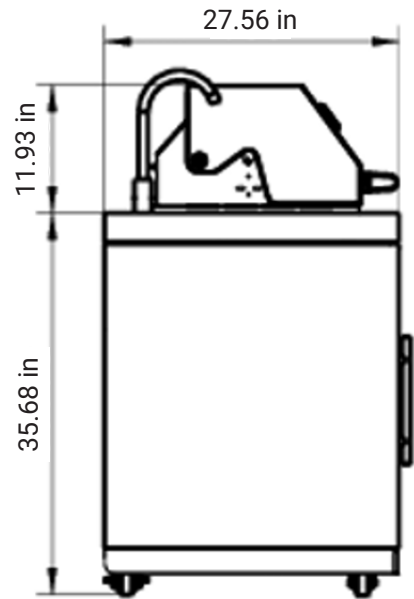
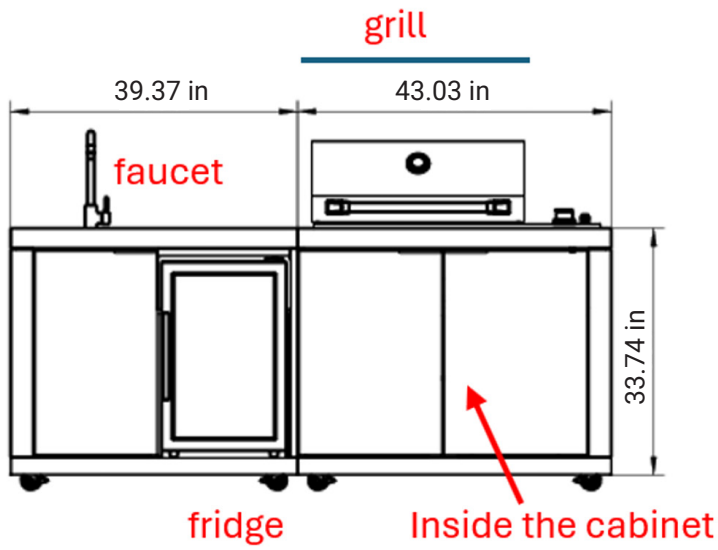
## Cabinet

Number Of Cabinets	3
Shelf Color	Black
Shelf Depth	22.05 in.
Shelf Width	16.93 in.
Fuel Shelf	Yes
Trash Container	Yes
Individual Shelf Capacity	22 lbs.

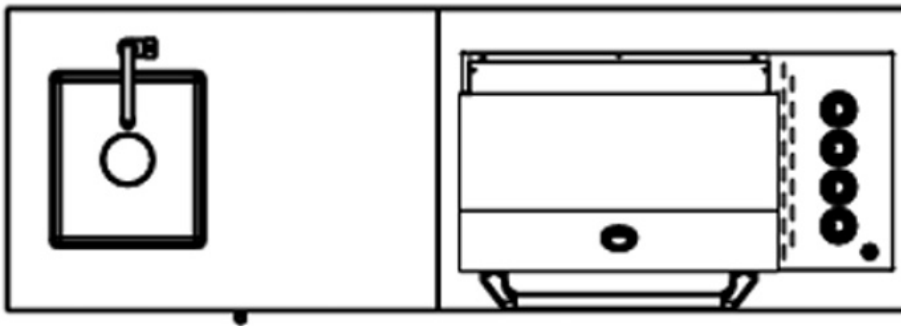
## Electric & Certification

Amps	1
Hertz	60
Phase	1
Voltage	120
Wattage	60
Power Cord Included	Yes
Power Cord Length	29.53 in
Plug Type	NEMA 5-15P
Certifications	Grill CSA, Refrigerator UL

# Plan View



## sink



CERTIFICATIONS



718-576-6342  
info@koolmore.com