

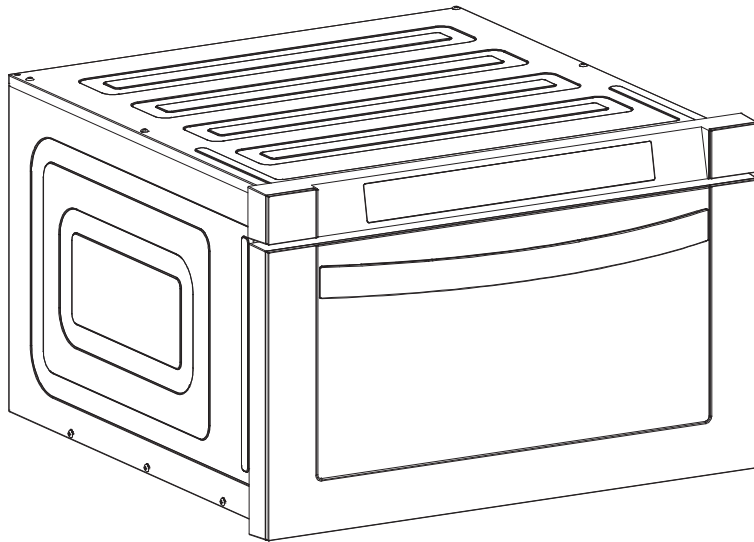


INSTALLATION MANUAL

MICROWAVE DRAWER

KoolMore Built-in Stainless Steel Microwave Drawer

Model: KM-MD-1SS



Before using, please read the operating instructions carefully to ensure proper application and achieve satisfactory results.

For any service-related issues, please contact us:



718-576-6342



support@koolmore.com

***Stay informed with the latest information
for your KoolMore Appliance.***

**If you need any assistance or have questions, our customer
support team is here to help.**

SPECIAL WARNING

INSTALLATION AND SERVICE MUST BE PERFORMED BY A QUALIFIED INSTALLER.
IMPORTANT: SAVE this installation manual FOR LOCAL ELECTRICAL INSPECTOR'S USE.
READ AND SAVE THESE INSTRUCTIONS FOR FUTURE REFERENCE.

CLEARANCES AND DIMENSIONS

For SAFETY CONSIDERATIONS do not install drawer in any combustible cabinetry, which is not in accord with the stated clearances and dimensions on pages 2 and 3. See Figure 1.

UNPACKING YOUR MICROWAVE DRAWER

Remove all packing materials from inside the Microwave Drawer. DO NOT REMOVE THE WAVEGUIDE COVER, which is located on the top of the Microwave Drawer.

Remove the feature sticker, if there is one. Check the drawer for any damage, such as misaligned or bent drawer, damaged drawer seals and sealing surfaces, broken or loose Microwave Drawer guides and dents inside the cavity or on the front side of the drawer. If there is any damage, do not operate the Microwave Drawer and contact your dealer or a MIDEA AUTHORIZED SERVICER.

IMPORTANT NOTES TO THE INSTALLER

Read all of the Installation Manual before installing the Microwave Drawer.

Remove all packing material before connecting the electrical supply.

Observe all governing codes and ordinances.

Be sure to leave these instructions with the consumer.

IMPORTANT NOTES TO THE CONSUMER

Keep this manual with your Operation Manual for future reference.

As when using any microwave oven generating heat, there are certain safety precautions you should follow. These are listed in the Operation Manual. Read all and follow carefully.

Be sure your Microwave Drawer is installed and grounded properly by a qualified installer or service technician.

WARNING if the information in this manual is not followed exactly, a fire or electrical shock may result that could cause property damage, personal injury or death.

WARNING To reduce the risk of tipping, the Microwave Drawer must be secured by a properly installed Anti-Tip block.

This Microwave Drawer must be electrically grounded in accordance with local codes. Make sure the wall coverings and the cabinets around the Microwave Drawer can withstand the heat generated by the Microwave Drawer.

WARNING Never leave children alone or unattended in the area where a Microwave Drawer is in use. Never leave the drawer open when the microwave is unattended.

WARNING Stepping, leaning or sitting on the drawer may result in serious injuries and can also cause damage to the Microwave Drawer.

Do not use the Microwave Drawer as a storage space. This creates a potentially hazardous situation.

Check that the time-of-day is in the display. If not, touch Stop/Clear to prevent unintended use.

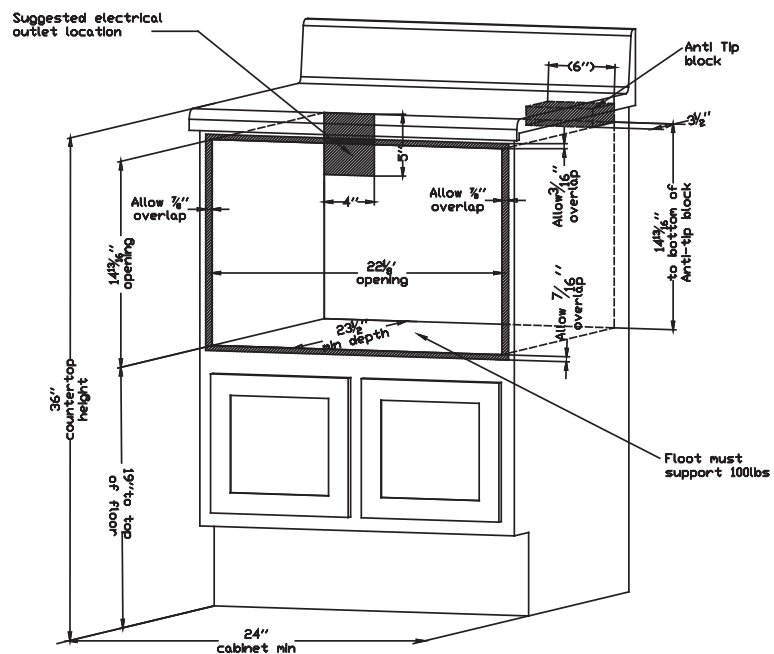


Figure 1

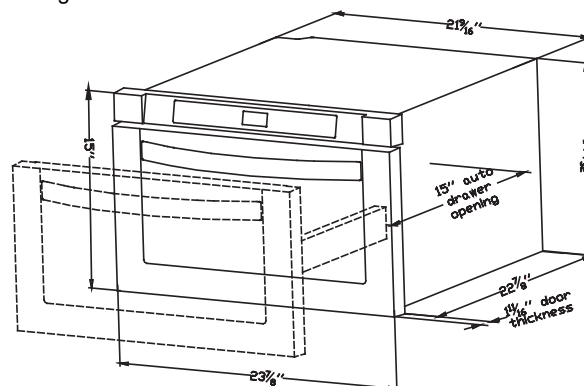


Figure 2

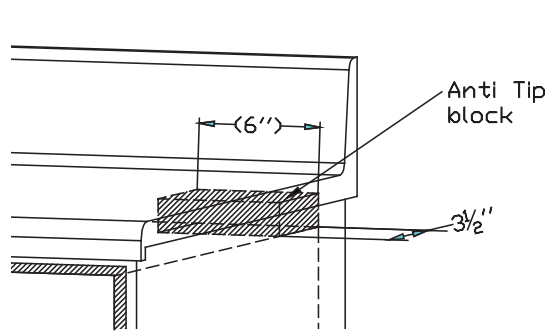


Figure 3

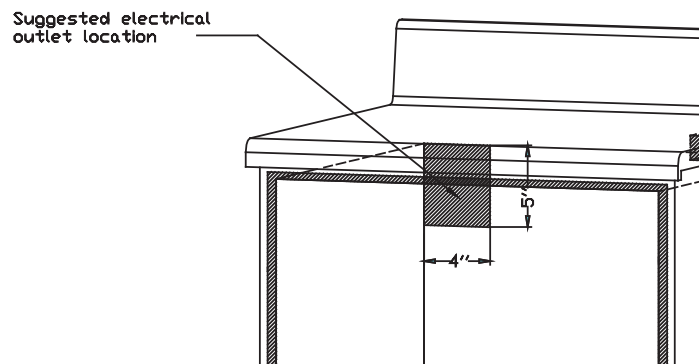


Figure 4

NORMAL INSTALLATION STEPS

ANTI-TIP BLOCK INSTALLATION INSTRUCTIONS

To mitigate tipping risk, the Anti-Tip block must be properly installed below the microwave drawer, precisely $13/16$ inches above the floor.

The 6-inch Anti-Tip block, provided by the installer, must be located as per Figures 1 and 3 to prevent injury from spills.

If relocating the Microwave Drawer, the Anti-Tip block must also be repositioned.

Ensure the block is fastened to the wall with screws fully penetrating the dry wall and secured in wood or metal for stability.

Caution: Avoid screwing into electrical wiring or plumbing.

GROUNDING INSTRUCTIONS

The Microwave Drawer must be grounded and comes with a cord having a grounding wire and plug. It must be connected to a properly installed and grounded wall receptacle, following the National Electrical Code and local standards, to minimize electrical short circuit risk and reduce electric shock hazards.

ELECTRICAL REQUIREMENTS

Requires a dedicated 120-volt 60 Hz, AC only, 15 amp or greater electrical supply.

It should be served by a dedicated circuit.

The drawer comes with a 3-prong grounding plug and must be plugged into an appropriately grounded receptacle.

If there's only a 2-prong outlet, a correct wall receptacle installation by a qualified electrician is necessary.

Note: For grounding or electrical concerns, consulting a qualified electrician or service person is recommended.

The appliance can also be powered from an adjacent cabinet if the electrical cord can reach and the electrical outlet is installed as per codes.

WARNING

Improper use of the grounding plug can lead to electric shock hazards.

Do not use an extension cord. If the power supply cord is too short, an outlet should be installed near the appliance by a qualified technician.

DRAWER INSTALLATION

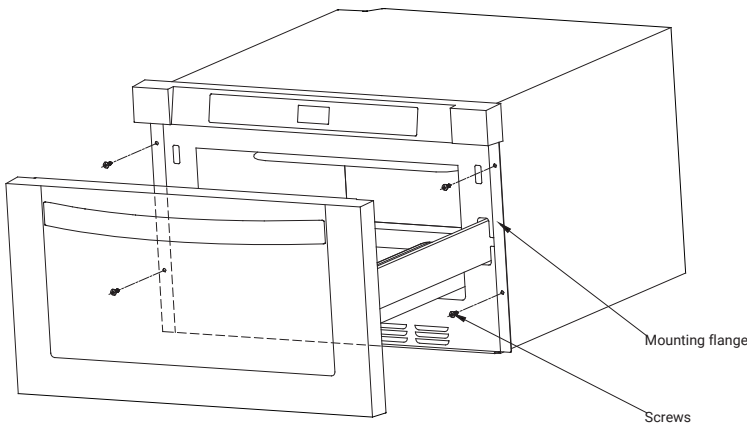


Figure 5

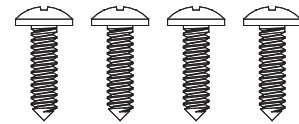


Figure 6

Installation Instructions:

1. Position the drawer adjacent to the wall or cabinet opening. Connect the power supply cord to the electrical outlet.
2. Carefully insert the drawer into the prepared opening, ensuring that the cord is not pinched between the oven and the wall.
3. Push the drawer in all the way until the mounting flange aligns flush with the cabinet's face. (Refer to Figure 5 for visual guidance.)
4. Open the drawer and, using the pre-existing holes as a template, drill the cabinet with a 1/16" bit. (See Figure 5 for details.)
5. Fasten the drawer in place using the four screws provided. (Illustration shown in Figure 6.)

Model and Serial Number Location:

- The model and serial numbers can be found on the nameplate, which is located inside the microwave cavity, visible when the drawer is opened fully. The label is affixed to the back wall of the microwave cavity and can be read from the flat surface.

Care, Cleaning, and Maintenance:

For detailed cleaning instructions, refer to the Operation Manual.

(Images or figures referenced in the text, such as Figure 5 or Figure 6, are not displayed here but would provide visual assistance in the actual installation process.)



WARRANTY

LIMITED WARRANTY

Koolmore Supply, Inc. extends a limited warranty to the original purchaser, guaranteeing that this Koolmore product is free from manufacturing defects in material or workmanship for one year from the date of purchase. Should you discover any such defect within the warranty period, Koolmore Supply, Inc., reserves the right to repair or replace the product without charge, or to cover the cost of replacement parts and repair labor needed to correct defects present at the time of purchase or resulting from regular usage, when the appliance has been installed, operated, and maintained as per the instructions provided. At its sole discretion, Koolmore Supply Inc. may decide to replace the product. In such an event, your replacement appliance will carry the warranty for the remaining term of the original unit's warranty period. This warranty is valid exclusively to the original purchaser of the product and only applicable within the United States. The warranty commences from the date of original consumer purchase. Proof of the original purchase date will be required to obtain service under this warranty. Under this limited warranty, your sole and exclusive remedy will be product repair, as outlined above. All services must be provided by a Koolmore-designated service company. To claim warranty or request repair service: Email support@koolmore.com. Please include your name, address, phone number, warranty repair request, and a copy of your proof of purchase receipt. Alternatively, visit koolmore.com and use the contact us page. A Koolmore customer service representative will promptly arrange service for your appliance. We thank you for choosing Koolmore.

WARRANTY EXCLUSIONS

This limited warranty will not cover:

1. Failure of the product to perform during power failures or interruptions, or due to inadequate electrical service.
2. Damage incurred during transportation or handling.
3. Damage caused by accidents, vermin, lightning, winds, fire, floods, or acts of God.
4. Damage resulting from accidents, alterations, misuse, abuse, improper installation, repair, or maintenance.

This includes using any external device that alters or converts the voltage or frequency of electricity.

5. Unauthorized product modifications, repairs by unauthorized centers, or use of non-approved replacement parts.
6. Abnormal cleaning and maintenance not aligned with the user's manual.
7. Use of incompatible accessories or components.
8. Any costs associated with repairs or replacements under these excluded circumstances shall be the responsibility of the consumer.

