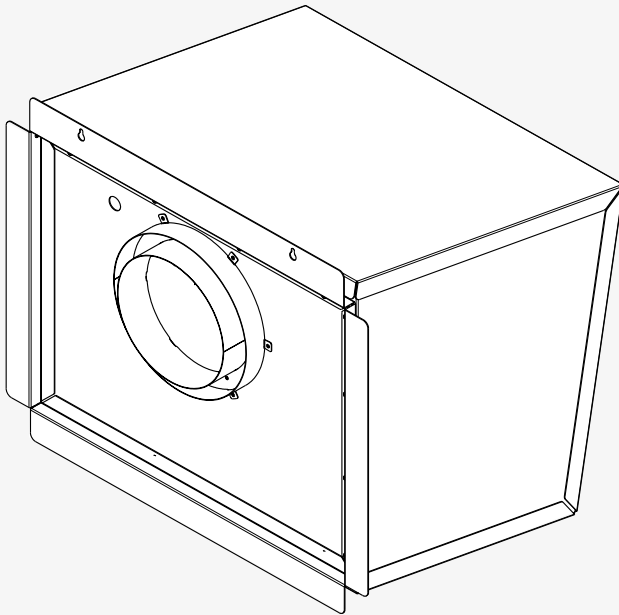


Use, Care, and Installation Guide

Guide
d'utilisation,
d'entretien et
d'installation

Guía de
instalación, uso y
mantenimiento



READ AND SAVE THESE
INSTRUCTIONS

LISEZ CES
INSTRUCTIONS ET
CONSERVEZ-LES

LEA Y CONSERVE
ESTAS INSTRUCCIONES

Models: | KIT0179547

LIB0180581
Printed in Mexico

Important Safety Notice	3
Installation requirements	4
Electrical Requirements	4
Tools and Parts	5
Product dimensions	6
Venting Requirements	6
Installation Instructions	7
Prepare location	7
Install Blower System	12
Electrical connection instructions	13
Electrical Connection for External Blower Motor System	13
Electrical Connection Inside Range Hood Between External Blower System and Range Hood	14
Warranty	15

**APPROVED FOR RESIDENTIAL APPLIANCES
FOR RESIDENTIAL USE ONLY
READ AND SAVE THESE INSTRUCTIONS**

**PLEASE READ ENTIRE INSTRUCTIONS BEFORE PROCEEDING.
INSTALLATION MUST COMPLY WITH ALL LOCAL CODES.**

IMPORTANT: Save these Instructions for the Local Electrical Inspector's use.
INSTALLER: Please leave these Instructions with this unit for the owner.
OWNER: Please retain these instructions for future reference.

Safety Warning: Turn off power circuit at service panel and lock out panel, before wiring this appliance.
Requirement: 120 V AC, 60 Hz. 15 or 20 A Branch Circuit.

⚠ Important Safety Notice

⚠ CAUTION

FOR GENERAL VENTILATING USE ONLY. DO NOT USE TO EXHAUST HAZARDOUS OR EXPLOSIVE MATERIALS OR VAPOURS.

⚠ WARNING

TO REDUCE THE RISK OF FIRE, ELECTRIC SHOCK, OR INJURY TO PERSONS, OBSERVE THE FOLLOWING:

A. Use this unit only in the manner intended by the manufacturer. If you have questions, contact the manufacturer.

B. Before servicing or cleaning the unit, switch power off at service panel and lock service panel disconnecting means to prevent power from being switched on accidentally.

When the service disconnecting means cannot be locked, securely fasten a prominent warning device, such as a tag, to the service panel.

C. Installation work and electrical wiring must be done by qualified person(s) in accordance with all applicable codes & standards, including fire-rated construction.

D. Sufficient air is needed for proper combustion and exhausting of gases through the flue (Chimney) of fuel burning equipment to prevent back-drafting.

Follow the heating equipment manufacturers guideline and safety standards such as those published by the national fire protection association (NFPA), the american society for heating, refrigeration and air conditioning engineers (ASHRAE), and the local code authorities.

E. When cutting or drilling into wall or ceiling, do not damage electrical wiring and other hidden utilities.

F. Ducted systems must always be vented to the outdoors.

⚠ CAUTION

To reduce risk of fire and to properly exhaust air, be sure to duct air outside - do not vent exhaust air into spaces within walls, ceilings, attics, crawl spaces, or garages.

⚠ WARNING

TO REDUCE THE RISK OF FIRE, USE ONLY METAL DUCT WORK.

Install this hood in accordance with all requirements specified.

⚠ WARNING

For double Blower Motor Models (ELN136S2, ELN142S2, ELN148SS, ELI136S2, ELI142S2, EAR134S4, EAR140S4, EAR146S4, ECL136S4, ECL142S4, ECL148S4, ETR134S1, ETR146SS)

To reduce the risk of fire or electric shock, do not use this hood with any external solid state speed control device.

⚠ WARNING

TO REDUCE THE RISK OF A RANGE TOP GREASE FIRE.

a) Never leave surface units unattended at high settings.

Boilovers cause smoking and greasy spillovers that may ignite. Heat oils slowly on low or medium settings.

b) Always turn hood ON when cooking at high heat or when flambeing food (I.e. Crepes Suzette, Cherries Jubilee, Peppercorn Beef Flambe').

c) Clean ventilating fans frequently. Grease should not be allowed to accumulate on fan or filter.

d) Use proper pan size. Always use cookware appropriate for the size of the surface element.

⚠ WARNING

TO REDUCE THE RISK OF INJURY TO PERSONS, IN THE EVENT OF A RANGE TOP GREASE FIRE, OBSERVE THE FOLLOWING:^a

a) SMOTHER FLAMES with a close-fitting lid, cookie sheet, or other metal tray, then turn off the gas burner or the electric element. BE CAREFUL TO PREVENT BURNS. If the flames do not go out immediately, EVACUATE AND CALL THE FIRE DEPARTMENT.

b) NEVER PICK UP A FLAMING PAN - you may be burned.

c) DO NOT USE WATER, including wet dishcloths or towels - a violent steam explosion will result.

d) Use an extinguisher ONLY if:

5) You know you have a class ABC extinguisher, and you already know how to operate it.

6) The fire is small and contained in the area where it started.

7) The fire department is being called.

8) You can fight the fire with your back to an exit.

i) Ducted fans must always be vented to the outdoor.

^aBased on "Kitchen Fire Safety Tips" published by NFPA.

⚠ CAUTION

Automatically Operated Device - To reduce the risk of Injury disconnect from power supply before servicing.

Installation requirements

Electrical Requirements

IMPORTANT

Observe all governing codes and ordinances.

It is the customer's responsibility:

- Have a qualified technician install the in-line blower motor system.
- All openings in the ceiling and wall where the in-line blower motor system will be installed must be sealed.
- Ensure that the electrical installation is adequate and in conformance with National Electrical Code, ANSI/NFPA 70 (latest edition), or CSA Standards C22.1-94, Canadian Electrical Code, Part 1 and C22.2 No. 0-M91 (latest edition) and all local codes and ordinances.
- If codes permit and a separate ground wire is used, it is recommended that a qualified electrician determine that the ground path is adequate.
- A copy of the above code standards can be obtained from:

National Fire Protection Association
One Batterymarch Park
Quincy, MA 02269
CSA International
8501 East Pleasant Valley Road
Cleveland, OH 44131-5575

- A 120 volt, 60 Hz., AC only, 15-amp, fused electrical circuit is required.
- If the house has aluminum wiring, follow the procedure below:

- 1 Connect a section of solid copper wire to the pigtail leads.
- 2 Connect the aluminum wiring to the added section of copper wire using special connectors and/or tools designed and UL listed for joining copper to aluminum.

Follow the electrical connector manufacturer's recommended procedure. Aluminum/copper connection must conform with local codes and industry accepted wiring practices.

- Save Installation Instructions for electrical inspector's use.
- Wire sizes and connections must conform with the rating of the appliance as specified on the model/serial rating plate. The model/serial plate is located behind the kit on the rear wall.
- Wire sizes must conform to the requirements of the National Electrical Code, ANSI/NFPA 70 (latest edition), or CSA Standards C22. 1-94, Canadian Electrical Code, Part 1 and C22.2 No. 0-M91 (latest edition) and all local codes and ordinances.

For Mobile Home Installations

The installation of this external blower motor system must conform to the Manufactured Home Construction Safety Standards, Title 24 CFR, Part 328 (formerly the Federal Standard for Mobile Home Construction and Safety, Title 24, HUD, Part 280) or when such standard is not applicable, the standard for Manufactured Home Installation 1982 (Manufactured Home Sites, Communities and Setups) ANSI A225.1/NFPA 501A*, or latest edition, or with local codes.

Tools and Parts

Gather the required tools and parts before starting installation. Read and follow the instructions provided with any tools listed here.

Tools needed

- Drill
- 1¼" (3 cm) drill bit
- ⅜" (0.5 cm) drill bit
- Pencil
- Wire stripper or utility knife
- Tape measure or ruler
- Pliers
- Caulking gun and weatherproof caulking compound
- Vent clamps
- Jigsaw or keyhole saw
- Metal snips
- Screwdrivers
 - Phillips
 - Flat-blade









Parts not supplied









- 6 AWG wires, one each of the following colors: black, white, red, blue, gray, and green or green/yellow (ground)
- NOTE:** The length of the conduit and AWG wires is determined by the distance between the in-line blower motor and range hood terminal boxes.
- 11 - UL listed wire connectors

Parts supplied

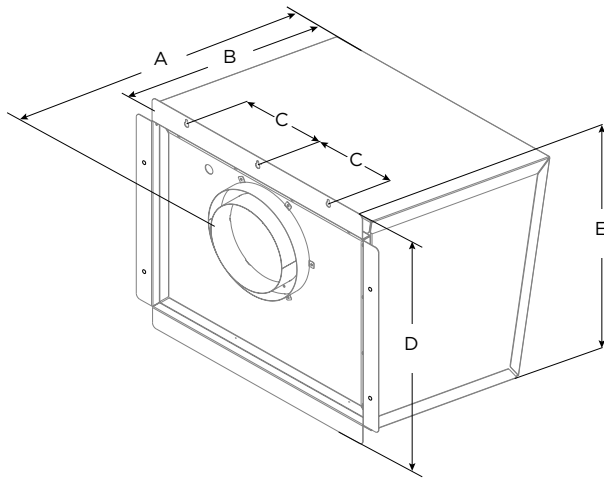
Remove parts from packages. Check that all parts are included.

- Shell for blower motor assembly
- Hardware bag with:

Supplied Part	Pieces
 Strain relief connector	2
 4.2x8 mm screws	10
 6-wire blower connector	1
 6.4x18 mm flat washers	4
 6 x 16 mm screws	4
 Spring tab	1
 6.3x60 mm screws	7
 Support bracket	1

Supplied Part	Pieces
 Ø 12 mm strain relief	1
 6x13.5 mm	2
 Torx adapter	T10 1 T20 1
 4.2 x 15 screws	10
 Strap 2.5x95 mm	3
 Neoprene washers	20
 10x50 mm wall anchors	7
 Clip nuts	4

Product dimensions



Dimensions	
A	21 ¹⁵ / ₁₆ " (55.56 cm)
B	20 ¹ / ₁₆ " (52.56 cm)
C	7 ⁷ / ₈ " (20 cm)
D	24 ⁷ / ₁₆ " (61.95 cm)
E	22 ¹⁰ / ₁₆ " (57.38cm)

NOTE: The minimum installation height recommended for the external blower kit is 40" (102 cm) from the floor to the center of the round vent system.

Venting Requirements

- The vent system must terminate to the outdoors.
- Do not terminate the vent system in an attic or other enclosed area.
- Do not use 4" (10.2 cm) laundry-type vent or wall caps.
- Use round, metal vent only. Rigid metal vent is recommended. Plastic or metal foil vent is not recommended.
- The length of the vent system and number of elbows should be kept to a minimum to provide efficient performance.

For the most efficient and quiet operation:

- Use no more than three 90° elbows.
- Make sure there is a minimum of 24" (61.0 cm) of straight vent between the elbows if more than 1 elbow is used.
- Do not install 2 elbows together.
- Use clamps to seal all joints in the vent system.
- The vent system must have a damper.
- Use weatherproof caulking to seal the exterior wall or roof opening around the cap.
- The size of the vent should be uniform.

Cold weather installations

An additional backdraft damper should be installed to minimize backward cold air flow. A thermal break should be installed to minimize conduction of outside temperatures as part of the vent system. The damper should be on the cold air side of the thermal break.

The thermal break should be as close as possible to where the vent system enters the heated portion of the house.

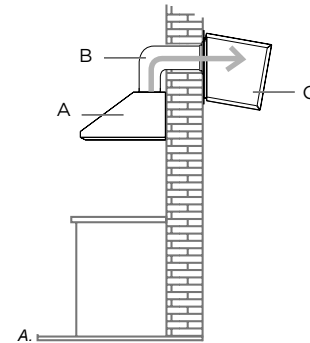
Typical External Blower System Installations

A 8" (20.32 cm) - 10" (25.4 cm) round vent system is needed for installation (not included). The external blower system inlet and outlet openings are 8" (20.32 cm) - 10" (25.4 cm) round. The exhaust (outlet) opening on the range hood must also be at least 8" (25.4 cm) round.

NOTE: Flexible vent is not recommended. Flexible vent creates back pressure and air turbulence that greatly reduce performance.

The vent system can terminate either through the wall.

NOTE: Plywood may be used as a mounting base to span open areas between ceiling joists and rafters. If used, be sure to use plywood capable of supporting the weight of the external blower system (83 lb [37.5 kg]).



A. Range Hood
B. Vent Duct
C. External Blower Kit

Installation Instructions

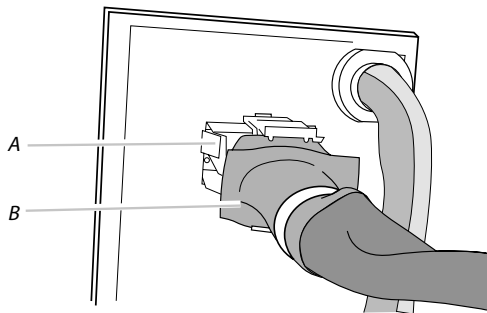
Prepare location

- Before making cutouts, make sure there is proper clearance within the ceiling or wall for the exhaust vent.
- When cutting or drilling into the ceiling or wall, do not damage electrical wiring or other hidden utilities.
- Check that all installation parts have been removed from the shipping carton.

NOTE: For the correct performance of your In-Line Blower System you must remove the Range Hood Internal Motor Blower.

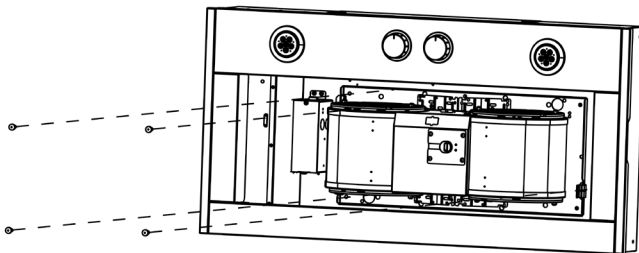
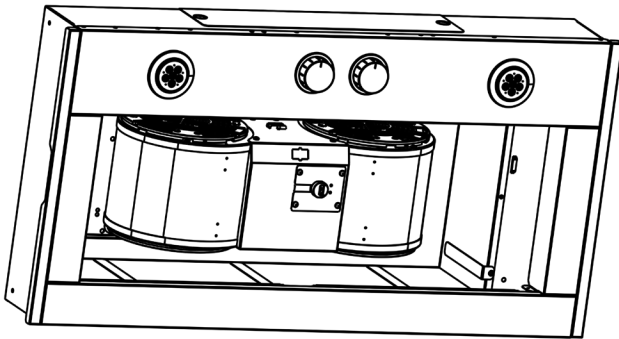
Remove Range Hood Internal Motor Blower

- 1 Remove grease filters from range hood.
- 2 Disconnect the blower power cord from de wire box.

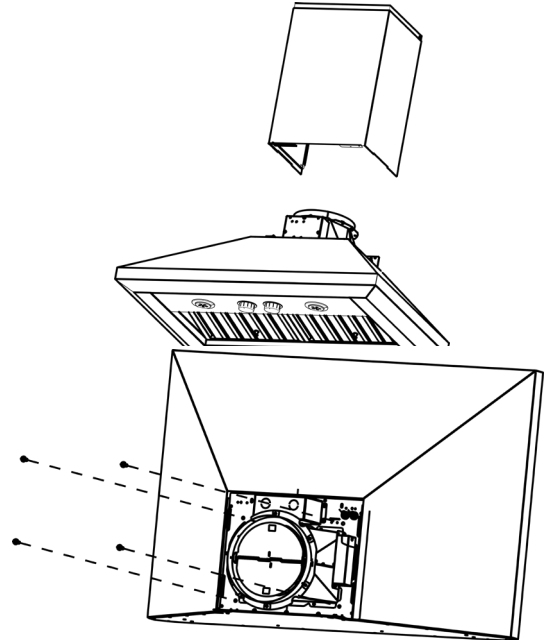


A. Wire box connector
B. Power cord

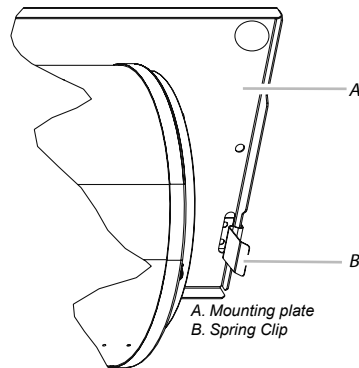
- 3 For EAR134S4, EAR140S4, EAR146S4, ECL136S4, ECL142S4, ECL148S4, ETR134S1 and ETR146SS range hood models you have to remove the 4 - 6 x 16 mm screws holding the blower motor.



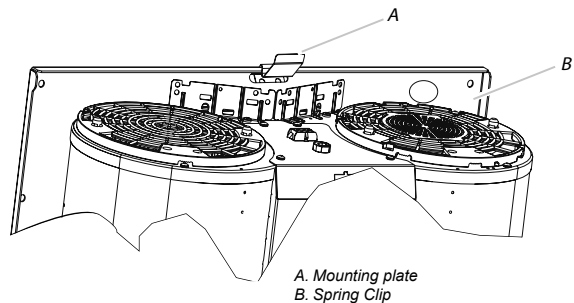
- 4 For ELN136S2, ELN142S2, ELN148SS, ELI136S2 and ELI142S2 models remove duct covers and the 4 - 6 x 16 mm blower motor screws



- 5 Remove the motor mounting plate by setting free the spring clip.
NOTE: The spring clip should be outside the slot in the mounting plate.

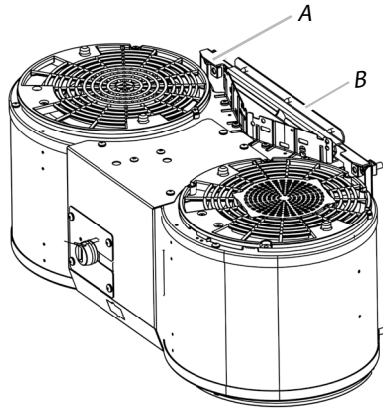
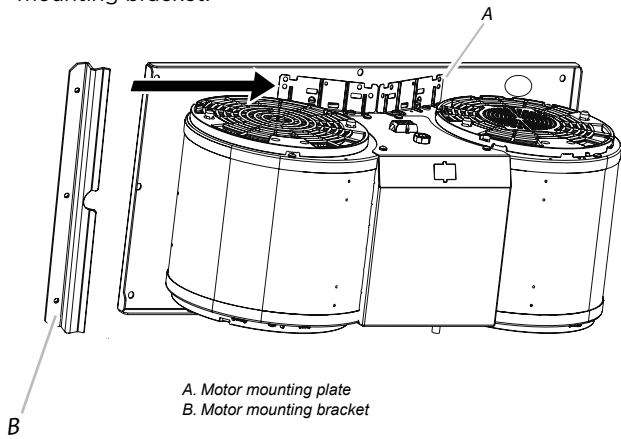


A. Mounting plate
B. Spring Clip



A. Mounting plate
B. Spring Clip

- Slide out the left mounting plate from under the motor mounting bracket.



- Remove the range hood internal blower motor.
- Replace the grease filters on the hood.

Prepare for Mounting the External Blower System

The External Blower System must be fastened to a secure structure of the wall or new or existing frame construction. The 7 holes on either the inlet (bottom) side or the outlet (top) side of the blower must be used to mount the external blower system to the structure.

NOTE: The mounting hole locations must span the studs. Additional stud framing may be required. Plywood may be used to span open areas between ceiling joists or roof rafters to aid installation. This structure must be strong enough to support the weight of the external blower system (83 lb [37.5 kg] min).

Prepare the External Blower System

⚠ WARNING

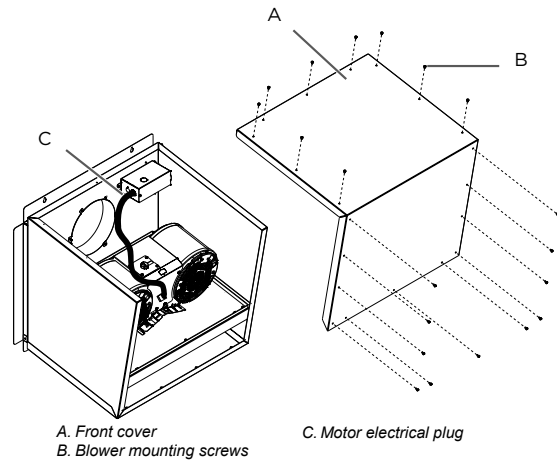
Excessive Weight Hazard

Use two or more people to move and install range hood. Failure to do so can result in back or other injury.

- Disconnect power.
- Using two or more people, move the external blower motor system to the mounting location.
- Remove the 20 screws from the front cover of the external blower motor housing and set them aside.
- Remove the front cover of the external blower motor housing and set it aside.

NOTE: To make the external blower motor housing easier to mount, the blower motor assembly can be removed.

- Disconnect the motor electrical plug from the blower motor assembly.
- Remove the screws that secure the blower motor assembly to the external blower housing and set them aside.
- Pull the spring clip to release the blower motor assembly. Remove the blower motor assembly from the housing and place it on a covered surface.



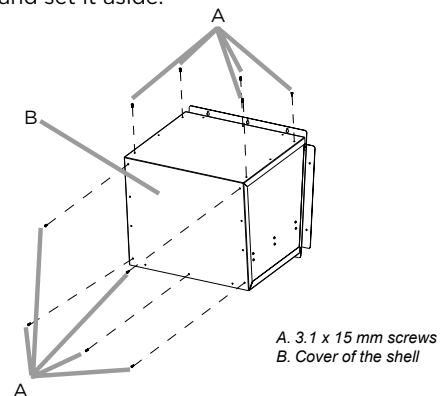
Prepare the External Blower System

⚠ WARNING

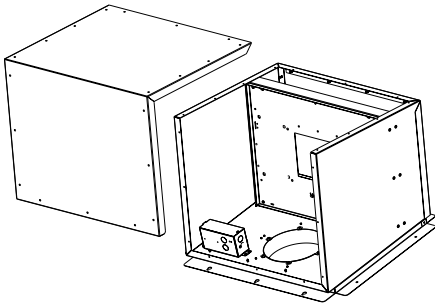
Excessive Weight Hazard

Use two or more people to move and install range hood. Failure to do so can result in back or other injury.

- Disconnect power.
- Determine which venting method to use: roof or wall exhaust.
- Using two or more people, move the in-line blower motor system to the mounting location.
- Remove the 10 - 3.1 x 15 mm screws from the cover of the shell and save them for later. Remove the front cover of the shell and set it aside.

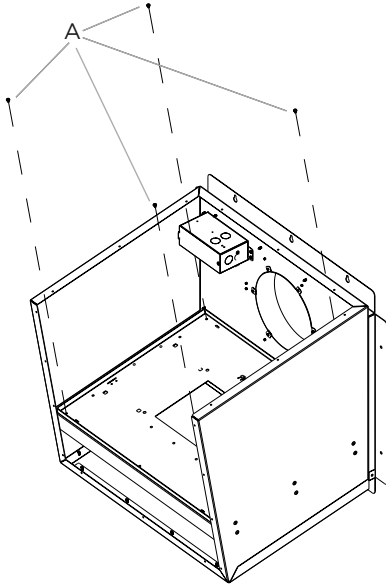


5 Remove cover of the shell.

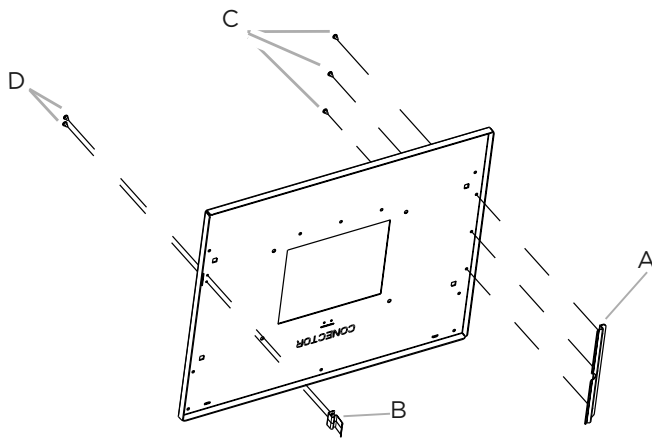


For models EAR134S4, EAR140S4, EAR146S4, ECL136S4, ECL142S4, ECL148S4, ETR134S1 and ETR146SS

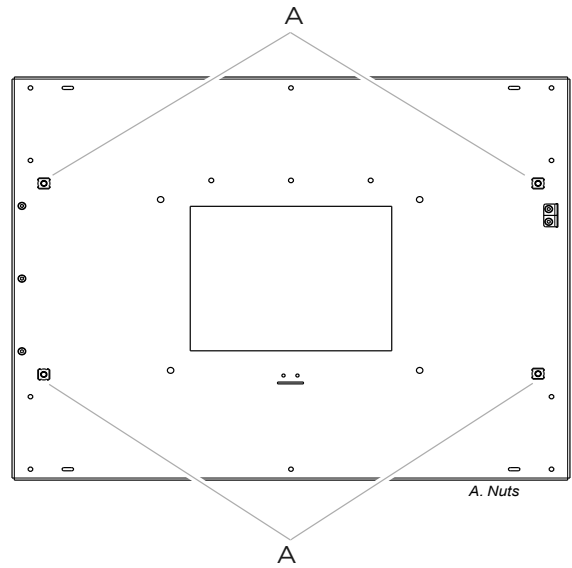
1 Unscrew the 4 - 4.2 x 8 mm (A) screws from the mounting plate support and save them for later.



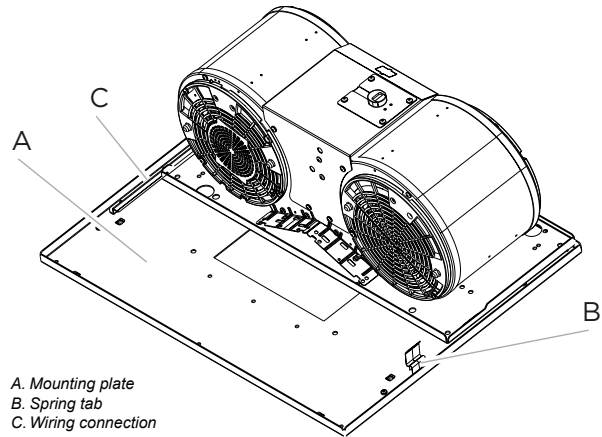
2 Fix support bracket (A) and spring tab (B), support brackets to the appropriate screw slots following the next image.



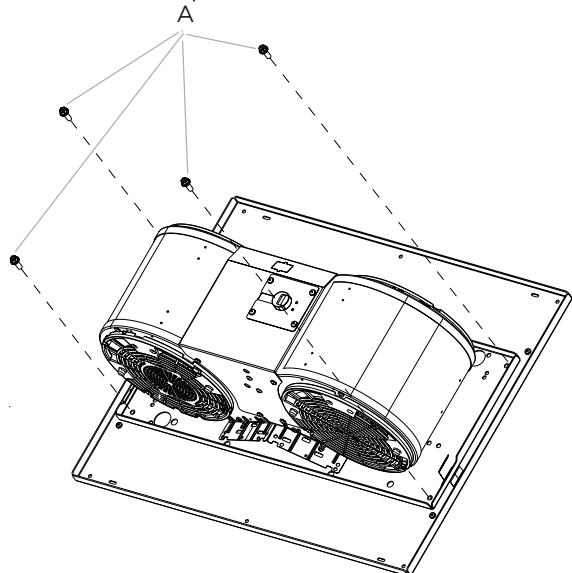
3 Place nuts over the top of the shell on the right slots

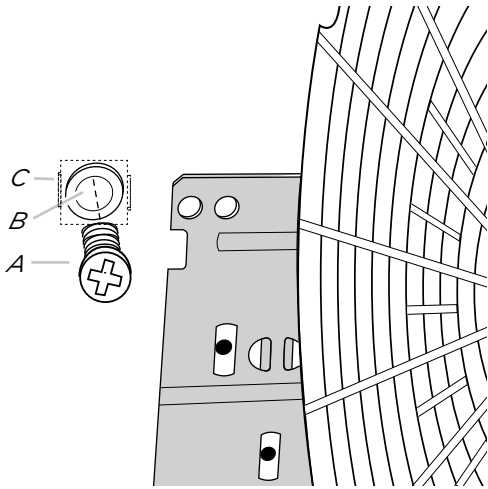


4 Slide halfway the mounting plate of the blower motor assembly, from the front of the shell, gently over the mounting plate support.

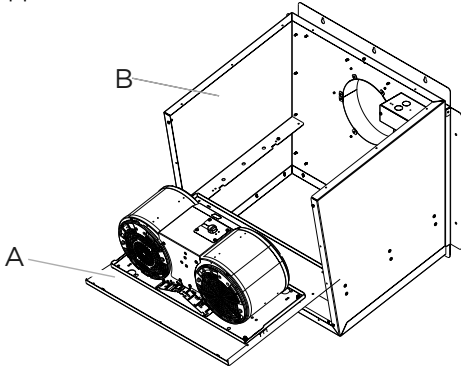


5 Push the right end of the motor mounting plate up and snap it into the spring tab.
NOTE: The spring tab should be outside the slot in the mounting plate. Align mounting holes in motor mounting plate with motor mounting clip nuts and install 4 - 6 x 16 mm screws with clip nuts.

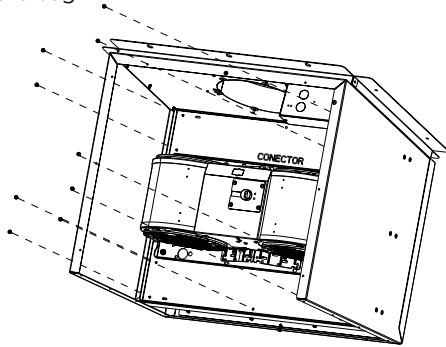




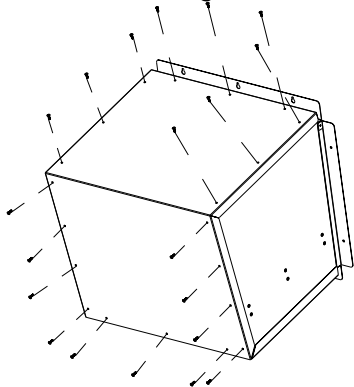
6 Slide the mounting plate support (A) into the shell over the side supports.



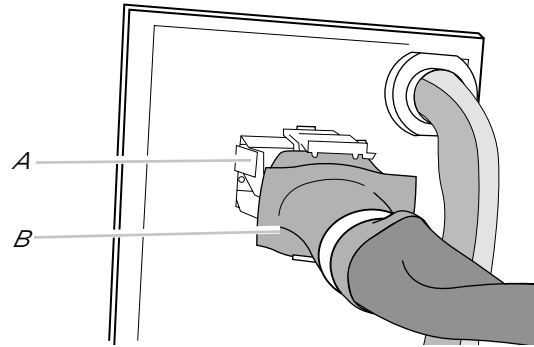
7 Replace the mounting plate support to the side supports and fix with the previously removed 4 screws and the additional 5 - 4.2 x 8 mm screws contained on the hardware bag.



8 Replace the shell cover and fix with the previously removed 10 screws and the additional 5 - 4.2 x 8 mm screws contained on the hardware bag.



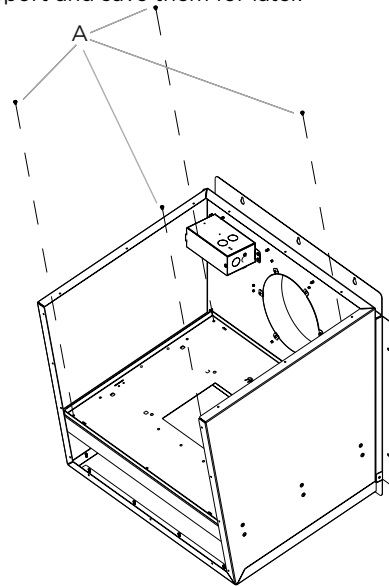
9 Attach power cord connector from the range hood to connector on wiring box.



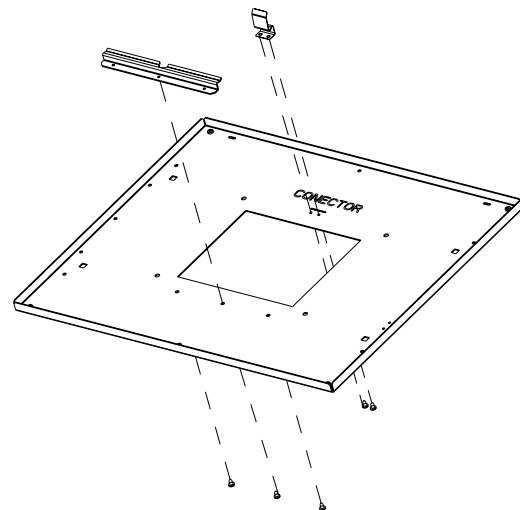
A. Wiring box connector
B. Power supply connector from range hood

For models ELN136S2, ELN142S2, ELN148SS, ELI136S2 and ELI142S2

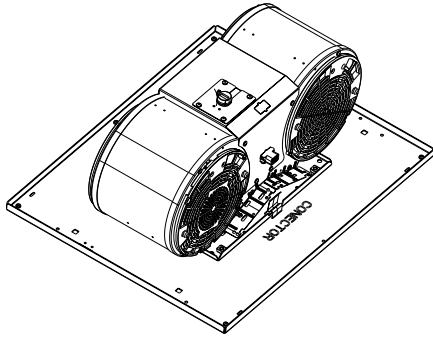
1 Unscrew the 4 - 4.2 x 8 mm screws (A) from the mounting plate support and save them for later.



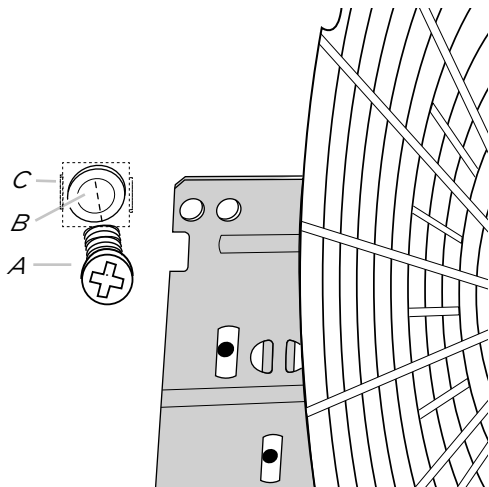
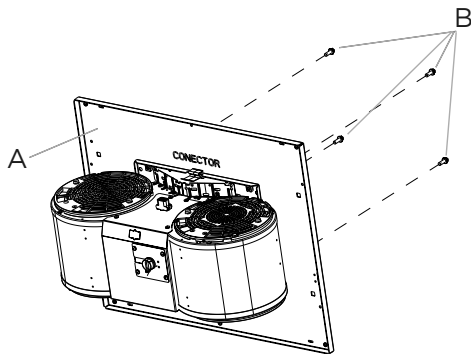
2 Fix support bracket and spring tab, support brackets to the appropriate screw slots following the next image.



- Slide the mounting plate of the blower motor assembly, from the front of the shell, gently over the mounting plate support.

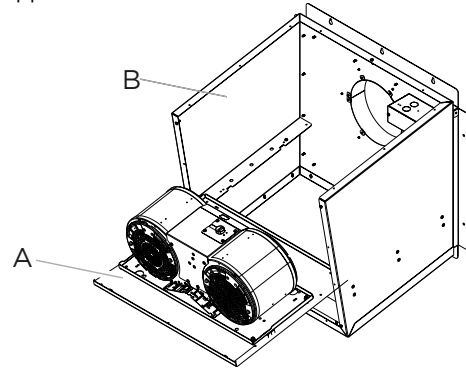


- Push the right end of the motor mounting plate up and snap it into the spring tab.
NOTE: The spring tab should be outside the slot in the mounting plate.
- Place nuts over the top of the shell on the right slots and align mounting holes in motor mounting plate (A) with motor mounting clip nuts and install 4 - 6 x 16 mm screws with clip nuts (B).

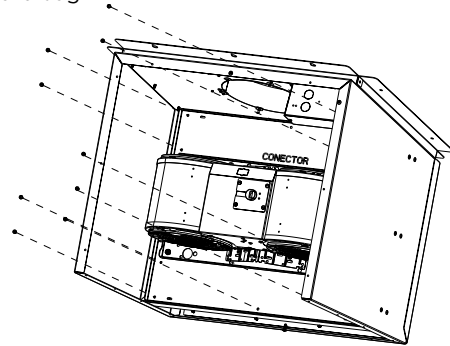


A. Screw with lock washer
B. Mounting hole in motor mounting plate
C. Clip nut

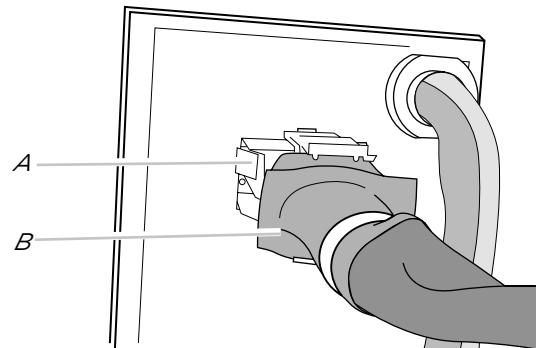
- Slide the mounting plate support (A) into the shell over the side supports.



- Replace the mounting plate support to the side supports and fix with the previously removed 4 screws and the additional 5 - 4.2 x 8 mm screws contained on the hardware bag.

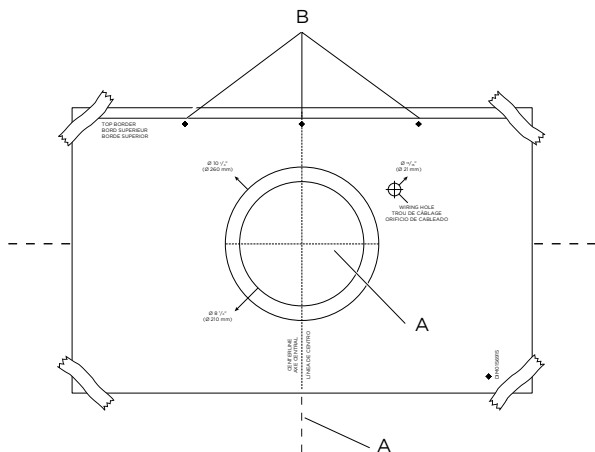


- Attach power cord connector from the range hood to connector on wiring box.



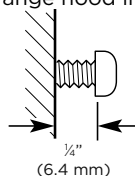
A. Wiring box connector
B. Power supply connector from range hood

- 1 Determine and mark the vent system exhaust's vertical and horizontal centerlines on the wall where the kit is going to be installed.
- 2 Disconnect the power.
- 3 Tape the installation template in place, aligning the template centerlines with the wall marks already made.

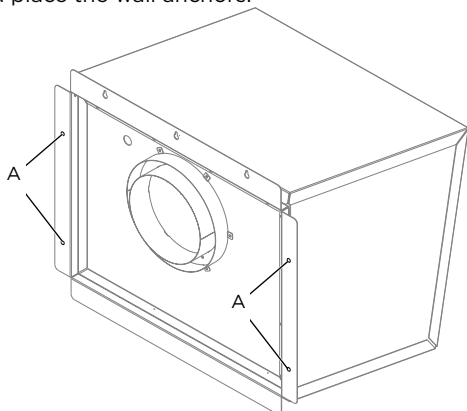


A. Installation template centerlines
B. Upper mounting holes

- 4 Determine and make all necessary cuts for the vent system. **IMPORTANT:** When cutting or drilling into the wall, do not damage electrical wiring or other hidden utilities.
- 5 Determine the location where the $1/2"$ (1.3 cm) wiring conduit will be routed through the wall between the external blower and the range hood.
- 6 Drill a $1/4"$ (3.2 cm) hole at this location.
- 7 Drill the upper mounting pilot holes using a $3/8"$ (0.95 cm) drill bit and place the wall anchors.
- 8 Fix 3 - 6.3 x 60 mm screws to the anchors leaving a $1/4"$ (6.4 mm) gap between the wall and the back of the upper screws head to slide range hood into place.



- 9 Remove the template.
- 10 Place the kit in the desired location and mark with a pencil the location of the 4 mounting holes.
- 11 Remove the External Blower Kit.
- 12 Drill the 4 mounting pilot holes using a $3/8"$ (0.95 cm) drill bit and place the wall anchors.



A. Mounting holes

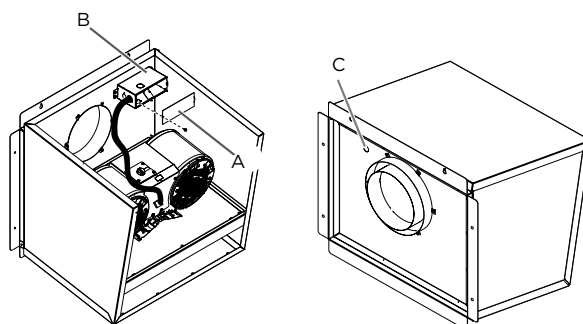
- 13 Place and attach the external blower motor housing to the mounting location with mounting 4 - 6.3 x 60 mm screws and 4 - 4 x 1.8 washers. Parts are included with the range hood motor kit.

NOTE: The blower motor housing can be mounted using 4 holes from either the inlet side or the outlet side of the blower.

- 14 If removed, reinstall the blower motor assembly and secure it with the screws previously removed.
- 15 If removed, reattach the motor electrical plug to the connector on the blower motor assembly.

Complete Preparation

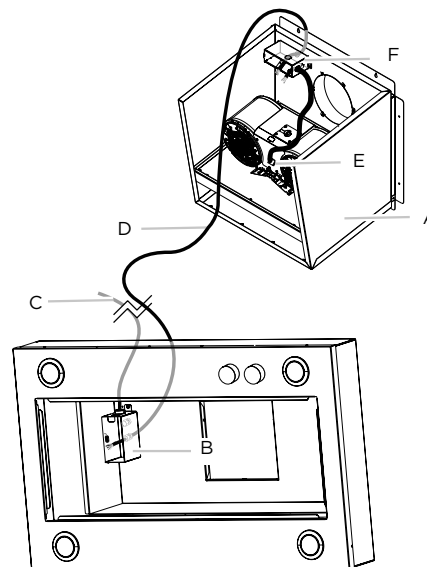
- 1 Locate the electrical terminal boxes in the external blower housing and range hood. Remove the terminal box covers and set the covers and screws aside.



A. Terminal Box Cover
B. Knockout
C. Terminal Box cover screw

- 2 Remove the electrical knockout from the external blower housing and range hood (see the range hood installation instructions) to prepare for the installation of the UL listed or CSA approved $1/2"$ (1.3 cm) wiring conduit and conduit connector.
- 3 With the range hood mounted (see the range hood installation instructions), run the $1/2"$ (1.3 cm) wiring conduit between the external blower motor housing and the range hood (see the KIT0153054 electrical connection instructions). Pull enough $1/2"$ wiring conduit to allow for easy connection to the terminal boxes in the external blower housing and range hood.

NOTE: If necessary remove the range hood transition.

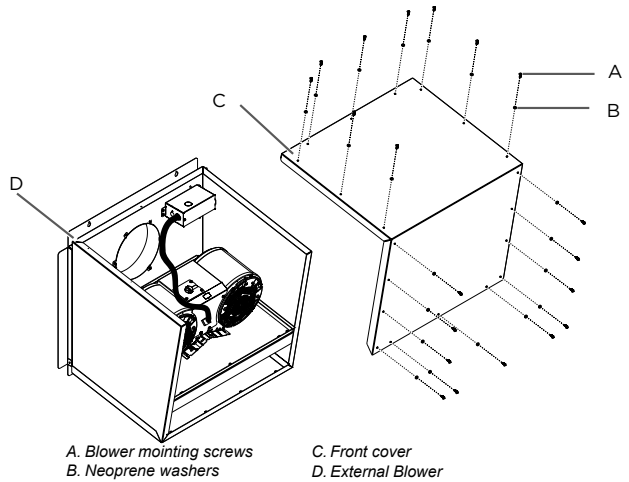


A. External Blower Kit
B. Range Hood Terminal Box
C. Power Supply wiring Conduit
D. External Blower Wiring Conduit (not included)
E. External Blower Terminal Box
F. External Motor Electrical Plug Cable

- 4 Install the conduit connectors and conduit to the external blower housing and range hood electrical terminal boxes.
NOTE: If removed, install the range hood transition.
- 5 Connect the vent system to the range hood and external blower system. Seal all joints with clamps.
- 6 Once the electrical connection is made, place the kit front cover with the neoprene washers and the blower mounting screws.

⚠WARNING

For the correct use of your product, you must install the neoprene washers to avoid the water entrance. Replace the shell cover and fix with the previously removed 10 screws and the additional 5 - 4.2 x 8 mm screws contained on the hardware bag.



Electrical connection instructions

Electrical Connection for External Blower Motor System

⚠WARNING

Electrical Shock Hazard
Disconnect power before servicing.
Replace all parts and panels before operating.
Failure to do so can result in death or electrical shock.

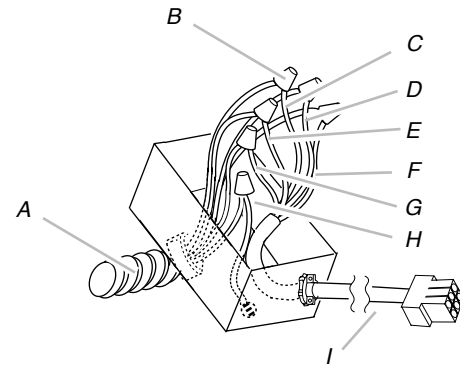
⚠WARNING

Electrical Shock Hazard
Electrically ground blower.
Connect ground wire to green and yellow ground wire in terminal box.
Failure to do so can result in death or electrical shock.

NOTE: The electrical diagram is attached at the end of the document.

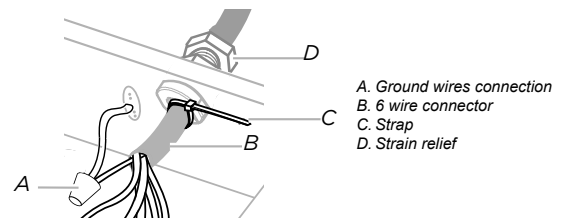
Electrical Connection Inside External Blower System

- 1 Disconnect power.
- 2 Connect the wires from the wiring conduit to the wires from the motor electrical plug cable inside the external blower housing terminal box.
- 3 Use UL listed wire connectors and connect the black wires (C) together.
- 4 Use UL listed wire connectors and connect the white wires (D) together.
- 5 Use UL listed wire connectors and connect the red wires (E) together.
- 6 Use UL listed wire connectors and connect the blue wires (F) together.
- 7 Use UL listed wire connectors and connect the gray wires (G) together.
- 8 Connect the green (or green/yellow) ground wire from the wiring conduit to the green (or yellow/green), ground wire (H) in the terminal box using UL listed wire connectors.



- | | |
|------------------------------|---|
| A. Strain relief | F. Blue wires |
| B. UL listed wire connectors | G. Gray wires |
| C. Black wires | H. Green (or yellow/green) and green/yellow wires |
| D. White wires | I. Motor electrical plug cable |
| E. Red wires | |

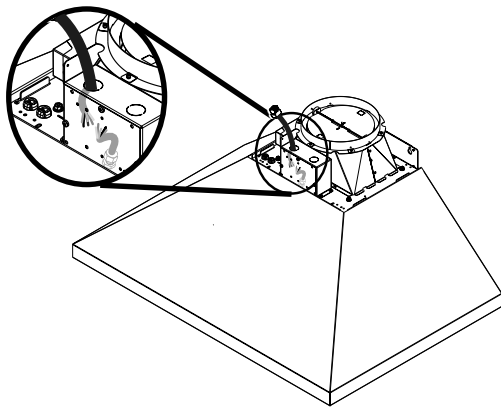
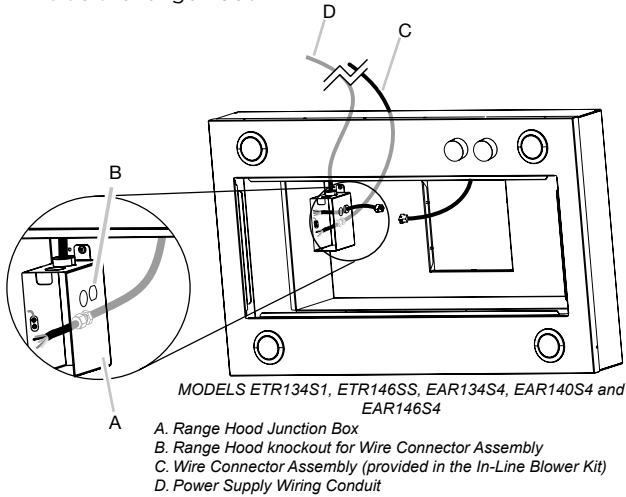
- 9 Once the connection is done, in necessary to adjust the 6 wire connector with the included strap.



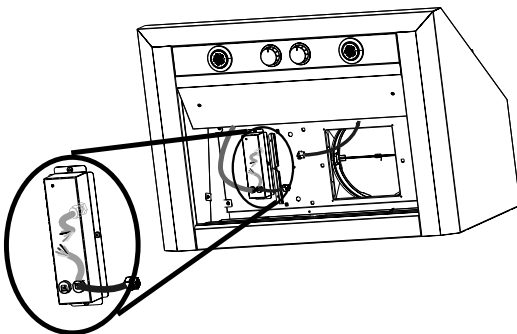
- 10 Reinstall the external blower terminal box cover and screws.
- 11 Reinstall the front cover of the external blower housing and secure it with 10 mounting screws.

Electrical Connection Inside Range Hood Between External Blower System and Range Hood

- 1 With the range hood mounted (see the range hood installation instructions), locate the wiring cable connector inside the range hood.

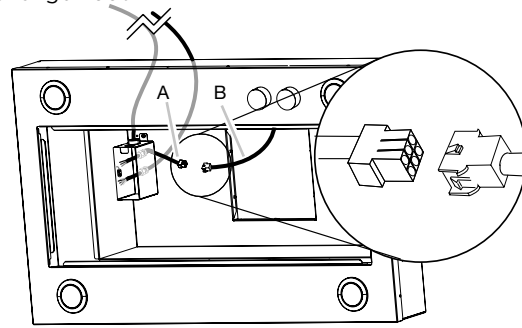


- C. Wire Connector Assembly (provided in the External Blower Kit)
 D. Power Supply Wiring Conduit



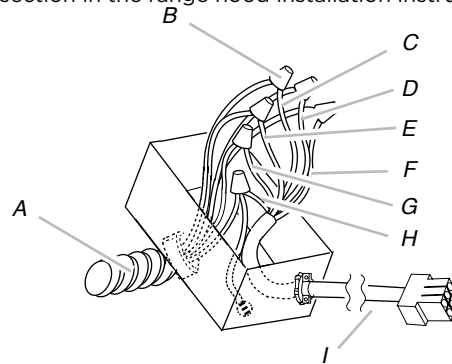
- C. Wire Connector Assembly (provided in the External Blower Kit)
 D. Power Supply Wiring Conduit

- 2 Connect the 6 wire connector assembly supplied with the in-line blower system to the mating connector from the range hood.



- 3 Install UL listed or CSA approved strain reliefs. Run through the strain reliefs the 6 wire connector and the In-Line Blower wiring conduit (not included leaving enough wire length to make the wiring connections).
- 4 Tighten the strain relief screws.
- 5 Connect the wires from the 6- wire connector assembly to the wires from the wiring conduit inside the range hood terminal box.

NOTE: Connect the green (or green/yellow) ground wire from the wiring conduit to the green (or bare) ground wire from the home power supply and to the and to the green/yellow ground wire from the 6-wire connector assembly (H) using UL listed wire connectors (see the "Make Electrical Power Supply Connections to Range Hood" section in the range hood installation instructions).



- 6 Connect the home power supply wiring to the range hood following the instructions that are supplied with the range hood.
- 7 Reinstall the range hood terminal box cover.
- 8 Reconnect power.

ELICA North America

TWO-YEAR LIMITED WARRANTY

Register your product in

elica.com

and earn a 3rd year of factory warranty, covering all parts plus in-home labor.

TO OBTAIN SERVICE UNDER WARRANTY

Owner must present proof of original purchase date. Please keep a copy of your dated proof of purchase (sales slip) in order to obtain service under warranty.

PARTS AND SERVICE WARRANTY

For the period of two (2) years from the date of the original purchase, Elica will provide free of charge, non consumable parts or components that failed due to manufacturing defects. During these two (2) years limited warranty, Elica will also provide free of charge, all labor and in-home service to replace any defective parts.

WHAT IS NOT COVERED

- Damage or failure to the product caused by accident or act of God, such as, flood, fire or earthquake.
- Damage or failure caused by modification of the product or use of non-genuine parts.
- Damage or failure to the product caused during delivery, handling or installation.
- Damage or failure to the product caused by operator abuse.
- Damage or failure to the product caused by dwelling fuse replacement or resetting of circuit breakers.
- Damage or failure caused by use of product in a commercial application.
- Service trips to dwelling to provide use or installation guidance.
- Light bulbs, metal or carbon filters and any other consumable part.
- Normal wear of finish.
- Wear to finish due to operator abuse, improper maintenance, use of corrosive or abrasive cleaning products/pads and oven cleaner products.
- When the product has not been operated in accordance with the accompanying instructions for use.

WHO IS COVERED

This warranty is extended to the original purchaser for products purchased for ordinary residential use in North America (Including the United States, Guam, Puerto Rico, US Virgin Islands & Canada).

This warranty is non-transferable and applies only to the original purchaser and does not extend to subsequent owners of the product. This warranty is made expressly in lieu of all other warranties, expressed or implied, including, but not limited to any implied warranty of merchantability or fitness for a particular purpose and all other obligations on the part of Elica North America, provided, however, that if the disclaimer of implied warranties is ineffective under applicable law, the duration of any implied warranty arising by operation of law shall be limited to two (2) years from the date of original purchase at retail or such longer period as may be required by applicable law.

This warranty does not cover any special, incidental and/or consequential damages, nor loss of profits, suffered by the original purchaser, its customers and/or the users of the Products.

WHO TO CONTACT

To obtain service under warranty or for any service related question:

- **USA & CANADA - Western Provinces**
SERVICE POWER
888 732 8018
elica@servicepower.com
- **CANADA - Ontario Province**
AGI Services
888 651 2534
service@agintl.qc.ca
- **CANADA - Quebec & Atlantic Provinces**
Ateliers G. Paquette
800 463 0119
service@ateliersgpaquette.com

To ensure prompt after-sales service, when you call we will kindly ask you to provide the following information indicated on the nameplate inside the hood: **hood model, 12 NC and date of purchase on original invoice**. To access the nameplate, all you have to do is remove the grease filters.

12NC: _____

Hood model: _____

Serial No: _____

Date of purchase on original invoice: _____

Avis de Sécurité Important	17
Exigences électriques	18
Tools and Parts	19
Dimension du produit	20
Exigences concernant l'évacuation	20
Instructions d'installation	21
Préparation de l'emplacement	21
Installer le système de soufflerie	26
Instructions de connexion électrique	27
Connexion électrique pour le système de moteur soufflant externe	27
Connexion électrique à l'intérieur de la hotte entre le système de ventilation externe et la hotte	28
Garantie	29

**APPROUVÉ POUR LES APPAREILS DE TYPE RÉSIDENTIEL
POUR UNE UTILISATION RÉSIDENTIELLE SEULEMENT
LISEZ CES INSTRUCTIONS ET CONSERVEZ-LES**

**VEUILLEZ LIRE CES INSTRUCTIONS AU COMPLET AVANT DE COMMENCER.
L'INSTALLATION DE L'APPAREIL DOIT RESPECTER TOUS LES CODES EN VIGUEUR.**

IMPORTANT : Conservez ces instructions afin de pouvoir les remettre à l'inspecteur-électricien de votre région.

INSTALLATEUR : Veuillez laisser ces instructions avec l'appareil pour le propriétaire.

PROPRIÉTAIRE : Veuillez conserver ces instructions pour pouvoir vous y référer plus tard.

Avertissement de sécurité : Coupez l'alimentation du circuit dans le panneau électrique et verrouillez le panneau avant de raccorder les fils de cet appareil.

Exigence : 120 V c.a., 60 Hz circuit de dérivation de 15 V c.a., 20 Hz, de 15 ou 20 A.

⚠ Avis de Sécurité Important

⚠ AVERTISSEMENT

POUR RÉDUIRE LES RISQUES D'INCENDIE, DE CHOC ÉLECTRIQUE ET DE BLESSURE, RESPECTER LES DIRECTIVES SUIVANTES:

- A. Utiliser cet appareil uniquement aux fins prévues par le fabricant. Si vous avez des questions à propos de l'appareil, communiquez avec le fabricant.
- B. Avant de faire l'entretien de l'appareil ou de le nettoyer, coupez l'alimentation dans le panneau électrique et verrouillez le panneau en bloquant le dispositif permettant d'empêcher d'activer l'alimentation accidentellement. S'il n'est pas possible de verrouiller l'accès au panneau, fixez une étiquette très voyante au panneau électrique.
- C. Une personne qualifiée doit effectuer l'installation et le câblage des fils électriques en conformité avec tous les codes et toutes les normes, y compris la cote de résistance au feu.
- D. Il est important de prévoir suffisamment d'air pour assurer une bonne combustion de l'équipement de chauffe et l'évacuation adéquates des gaz par le conduit de cheminé afin de prévenir les refoulements d'air. Respectez les directives et les normes de sécurité des fabricants de l'équipement de chauffage, comme celles publiées par la National Fire Protection Association (NFPA), la American Society for Heating, Refrigeration and Air Conditioning Engineers (ASHRAE) et le code des autorités de votre région.
- E. Au moment de couper ou de percer un mur ou un plafond, assurez-vous de ne pas endommager la filerie électrique ou tout autre accès à un service public.
- F. Il faut toujours évacuer à l'extérieur les systèmes conduit.

⚠ ATTENTION

Pour réduire les risques d'incendie et évacuer l'air correctement, assurez-vous que le conduit mène à l'extérieur; il ne faut pas évacuer l'air dans l'espace entre les murs, dans les plafonds, dans les greniers, les vides sanitaires ou les garages.

⚠ AVERTISSEMENT

POUR RÉDUIRE DES RISQUES D'INCENDIE, UTILISEZ UNIQUEMENT DES CONDUITS EN MÉTAL.

Installez cette hotte en respectant toutes les exigences mentionnées.

⚠ AVERTISSEMENT

POUR RÉDUIRE LES RISQUES D'INCENDIE DE GRAISSE SUR LES CUISINIÈRES.

- a) Ne laissez jamais la cuisinière sans surveillance lorsqu'elle est réglée à une haute température. Les débordements par bouillonnement causent de la fumée et des débordements de gras qui peuvent s'enflammer. Faites chauffer l'huile lentement, à une température basse ou moyenne.
- b) Faites toujours fonctionner la hotte lorsque vous utilisez la cuisinière à une haute température ou que vous faites flamber des aliments (P. ex.: crêpes Suzette, cerises jubiléés, boeuf au poivre flambé).
- c) Nettoyez les hélices de ventilation fréquemment. Il ne faut pas que la graisse s'accumule sur les filtres ou les hélices.
- d) Utilisez le bon format de casserole. Utilisez toujours un chaudron de taille approprié à l'élément de la cuisinière.
- e) Convient pour utilisation dans la zone de cuisson domestique.

⚠ AVERTISSEMENT

POUR ÉVITER DE BLESSER QUELQU'UN LORS D'UN INCENDIE DE GRAISSE SUR LA CUISINIÈRE, SUIVRE LES CONSEILS SUIVANTS:^a

- a) ÉTOUFFER LES FLAMMES avec un couvercle aux dimensions de la tôle de cuisson, une tôle à biscuit ou tout autre plateau métallique, puis couper le gaz ou l'alimentation électrique de la cuisinière. FAIRE ATTENTION A NE PAS SE BRÛLER. Si les flammes ne s'éteignent pas immédiatement, QUITTER LA PIÈCE ET APPELER LES POMPIERS.
- b) NE JAMAIS PRENDRE EN MAIN UNE CASSEROLE N FEU, vous pourriez vous blesser.
- c) NE PAS UTILISER D'EAU, y compris les essuies de vaisselle ou les serviettes humides – une violente explosion due à la vapeur formée pourrait survenir.
- d) Utiliser un extincteur SEULEMENT si:
 - 5) Vous êtes sûr d'avoir un extincteur de classe ABC que vous savez utiliser.
 - 6) Le feu est petit et confiné à la zone où il s'est formé.
 - 7) Les pompiers ont été appelés.
 - 8) Vous pouvez lutter contre le feu avec une sortie derrière vous.^f

^a Recommandations tirées des conseils de sécurité en cas d'incendie de cuisine publiés par la NFPA.

⚠ ATTENTION

Dispositif à fonctionnement automatique - Pour réduire le risque de blessures, débranchez l'appareil de l'alimentation électrique avant de le réparer.

Pour les modèles de moteurs de soufflerie double (ELN136S2, ELN142S2, ELN148SS, ELI136S2, ELI142S2, EAR134S4, EAR140S4, EAR146S4, ECL136S4, ECL142S4, ECL148S4, ETR134S1, ETR146SS)

IMPORTANT

Respectez tous les codes et les ordonnances en vigueur.

Le client a la responsabilité de :

- Contacter un électricien-installateur.
- Vérifier que l'installation électrique est adéquate et conforme avec le Code national de l'électricité, ANSI/NFPA 70 (la plus récente édition*), ou les normes C22.1-94, Code canadien de l'électricité, Partie 1 et C22.2 No.0-M91 (La plus récente édition**) de la CSA, ainsi que tous les codes et les ordonnances de votre région.
- Si le code le permet et que vous utilisez un fil de mise à la terre distinct, il est recommandé de faire vérifier le chemin du fil par un électricien.
- Une copie des normes du code ci-dessus peut être obtenue auprès de :
National Fire Protection Association
One Batterymarch Park
Quincy, MA 02269
CSA International
8501 East Pleasant Valley Road
Cleveland, OH 44131-5575
-
- L'appareil doit être alimenté par un circuit de 120 V, CA seulement, 60 Hz, 15 A, protégé par fusible.
- Si le domicile est équipé d'un câblage en aluminium, suivre les instructions suivantes :

- 1 Connecter une section de câble en cuivre massif aux conducteurs en queue de cochon.
- 2 Connecter le câblage en aluminium à la section ajoutée de câblage en cuivre en utilisant des connecteurs et/ou des outils spécialement conçus et homologués UL pour fixer le cuivre à l'aluminium.

Appliquer la procédure recommandée par le fabricant des connecteurs. La connexion aluminium/cuivre doit être conforme aux codes locaux et aux pratiques de câblage acceptées par l'industrie.

- Le calibre des conducteurs et les connexions doivent être compatibles avec la demande de courant de l'appareil spécifiée sur la plaque signalétique. La plaque signalétique de l'appareil est située à l'intérieur du boîtier du moteur.
- Le calibre des conducteurs doit satisfaire aux exigences de la plus récente édition de la norme National Electrical Code, ANSI/NFPA 70, ou de la norme CSA C22.1-94, Code canadien de l'électricité, partie 1 et C22.2 n° 0-M91 (dernière édition) et de tous les codes et règlements en vigueur.

Pour les installations de maisons mobiles

L'installation de ce système de moteur soufflant externe doit être conforme aux Manufactured Home Construction Safety Standards, Title 24 CFR, Part 328 (anciennement Federal Standard for Mobile Home Construction and Safety, Title 24, HUD, Part 280) ou, si cette norme n'est pas applicable, à la norme Manufactured Home Installation 1982 (Manufactured Home Sites, Communities and Setups) ANSI A225.1/NFPA 501A*, ou à la dernière édition, ou aux codes locaux.

Rassembler les outils et composants nécessaires avant d'entreprendre l'installation. Lire et observer les instructions fournies avec chacun des outils de la liste ci-dessous.

Outils nécessaires

- Perceuse
- Foret de 1¼" (3 cm)
- Foret de ⅜" (0,5 cm)
- Crayon
- Pince à dénuder ou couteau utilitaire
- Mètre-ruban ou règle
- Pince
- Pistolet à calfeutrage et composé de calfeutrage résistant aux intempéries
- Brides de conduit
- Scie sauteuse ou scie à guichet
- Screwdrivers
 - Phillips
 - Lame-plate

Pièces non fournies

- 6 conducteurs de calibre 18 AWG de chacune des couleurs suivantes : noir, blanc, rouge, bleu, gris et vert ou vert/jaune (terre).









REMARQUE: La longueur du conduit et des câbles AWG est déterminée par la distance entre le moteur du ventilateur interne et les boîtiers de raccordement de la hotte.








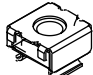
- 11 connecteurs de fils homologués UL

Pièces fournies

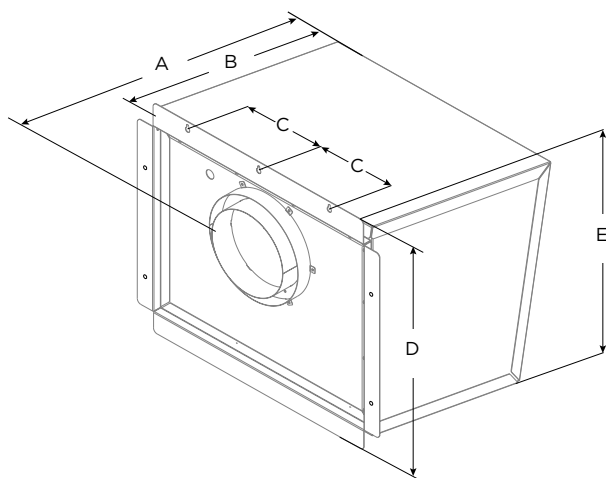
Retirer les pièces de leur emballage. Vérifier que toutes les pièces sont présentes.

- Carcasse pour l'assemblage du moteur de la soufflante
- Sac de matériel avec :

Pièce fournie	Qté
 Décharge de traction connector (13,5)	2
 4.2x8 mm vis	6
 6-Câble de prise	1
 6.4x18 mm rondelles plates	4
 6 x 16 mm vis	4
 Langue à ressort	1
 6.3x60 mm vis	7
 Support de montage	1

Pièce fournie	Qté
 Ø 12 mm décharge de traction	1
 6x13.5 mm	2
 Torx adaptateur	T10 1 T20 1
 4.2 x 15 vis	10
 Bride 2.5x95 mm	3
 Rondelles en néoprène	20
 10x50 mm ancrages muraux	7
 Écrous de fixation	4

Dimension du produit



	Dimensions
A	21 ¹⁵ / ₁₆ " (55,56 cm)
B	20 ¹ / ₁₆ " (52,56 cm)
C	7 ⁷ / ₈ " (20 cm)
D	24 ⁷ / ₁₆ " (61,95 cm)
E	22 ¹ / ₁₆ " (57,38cm)

REMARQUE: La hauteur d'installation recommandée pour le kit moteur externe est de 40 "(102 cm) du sol au centre du système de ventilation..

Exigences concernant l'évacuation

- Le système de ventilation doit se terminer à l'extérieur.
- Ne terminez pas le système de ventilation dans un grenier ou un autre espace clos.
- N'utilisez pas d'évent ou de capuchons muraux de type lessive de 4" (10,2 cm)
- Utilisez uniquement un évent métallique rond. Un évent métallique rigide est recommandé. Un évent en plastique ou en feuille métallique n'est pas recommandé.
- La longueur du système de ventilation et le nombre de coudes doivent être réduits au minimum pour une performance efficace.

Pour un fonctionnement efficace et silencieux :

- Ne pas utiliser plus de trois coudes à 90°.
- Veiller à ce qu'il y ait une section droite de conduit d'un minimum de 24" (61 cm) entre les raccords coudés, si on doit en utiliser plus d'un.
- Ne pas installer 2 coudes successifs.
- Utilisez des colliers pour sceller tous les joints du système de ventilation.
- Le système de ventilation doit avoir un registre.
- Utilisez du calfeutrage résistant aux intempéries pour sceller le mur extérieur ou l'ouverture du toit autour du bouchon.
- La taille de l'évent doit être uniforme.

Installations pour régions à climat froid

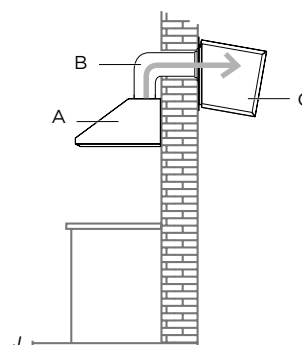
On doit installer un clapet anti-retour supplémentaire à l'arrière pour minimiser le reflux d'air froid et incorporer une résistance thermique pour minimiser la conduction des températures extérieures par le conduit d'évacuation. Le clapet anti-retour doit être placé du côté air froid de la résistance thermique. La résistance thermique doit être le plus près possible de l'entrée du circuit d'évacuation dans la partie chauffée de la maison.

Installations typiques d'un système de ventilation interne

Un système de ventilation rond de 8" (20,32 cm) à 10" (25,4cm) est nécessaire pour l'installation (non inclus). Les orifices d'entrée et de sortie du système de ventilation externe sont ronds de 8" (20,32cm) à 10" (25,4cm). L'ouverture d'évacuation (sortie) de la hotte de cuisinière doit également être arrondie à 8" (20,32cm) à 10" (25,4 cm) de diamètre.

REMARQUE: L'évent flexible n'est pas recommandé. Un évent flexible crée une contre-pression et des turbulences d'air qui réduisent considérablement performance.

Le système de ventilation peut se terminer à travers le mur. **REMARQUE:** Le contreplaqué peut être utilisé comme base de montage pour couvrir les zones ouvertes entre les solives de plafond et les chevrons. Le cas échéant, veillez à utiliser du contreplaqué capable de supporter le poids du système de ventilation externe (83 lb [37,5 kg]).



A. Hotte de cuisine
B. Conduit de ventilation
C. Kit de soufflage externe

Instructions d'installation

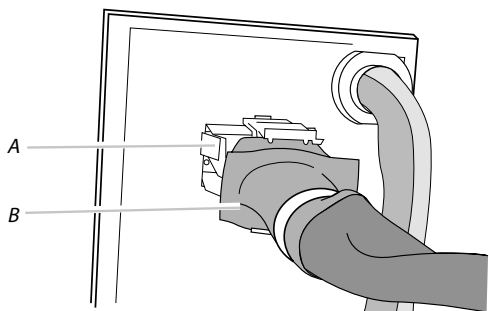
Préparation de l'emplacement

- Avant de faire des coupes, assurez-vous qu'il ya un dégagement approprié dans le plafond ou le mur pour l'évacuation.
- Lors de la coupe ou du perçage dans le plafond ou le mur, ne pas endommager le câblage électrique ni les autres utilitaires cachés.
- Vérifiez que toutes les pièces d'installation ont été retirées du carton d'emballage.

REMARQUE: Pour le bon fonctionnement de votre moteur, vous devez retirer le moteur interne de la hotte de cuisinière.

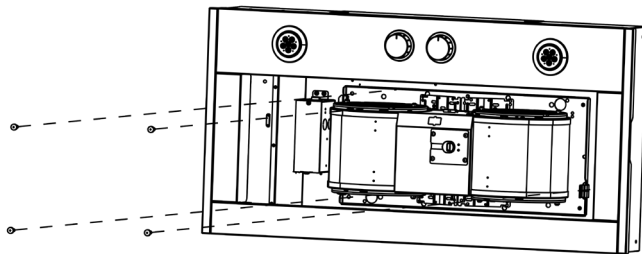
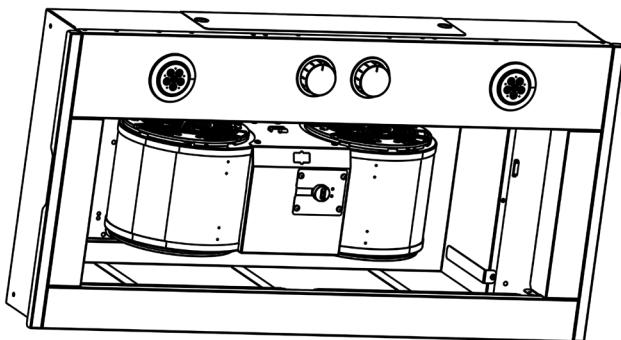
Retirer le ventilateur de moteur interne de la hotte

- 1 Retirez les filtres à graisse de la hotte.
- 2 Débranchez le cordon d'alimentation du ventilateur de la boîte de connexion.

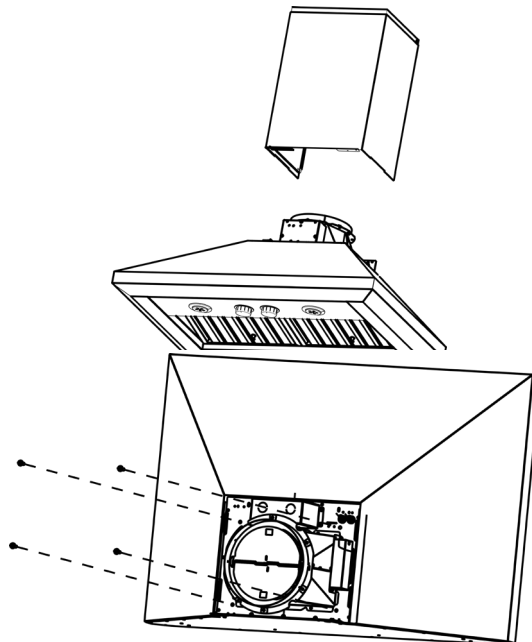


A. Connecteur de boîte de fil
B. Cordon d'alimentation

- 3 Pour les modèles du hotte EAR134S4, EAR140S4, EAR146S4, ECL136S4, ECL142S4, ECL148S4, ETR134S1 et ETR146SS retirez les 4 vis de 6 x 16 mm qui maintiennent le moteur du ventilateur.

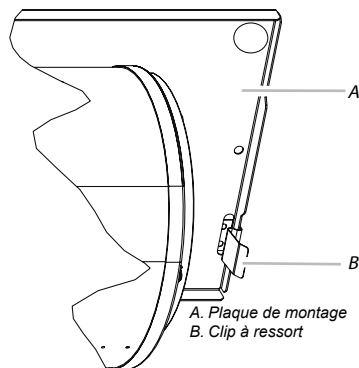


- 4 Pour les modèles du hotte ELN136S2, ELN142S2, ELN148SS, ELI136S2 et ELI142S2 retirer les couvercles des conduits et les 4 - 6 x 16 mm vis du moteur du ventilateur.

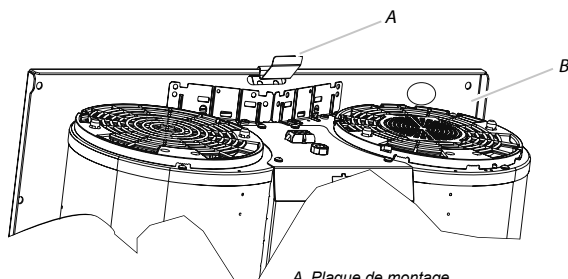


- 5 Retirez la plaque de montage du moteur en libérant le clip à ressort.

REMARQUE: Le clip à ressort doit se trouver à l'extérieur de la fente de la plaque de montage.

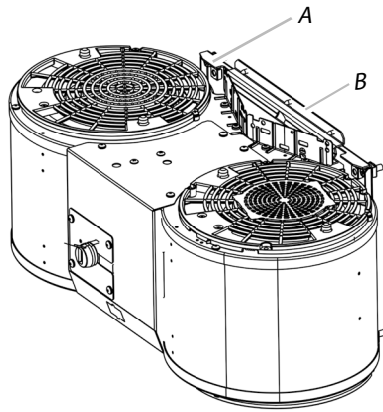
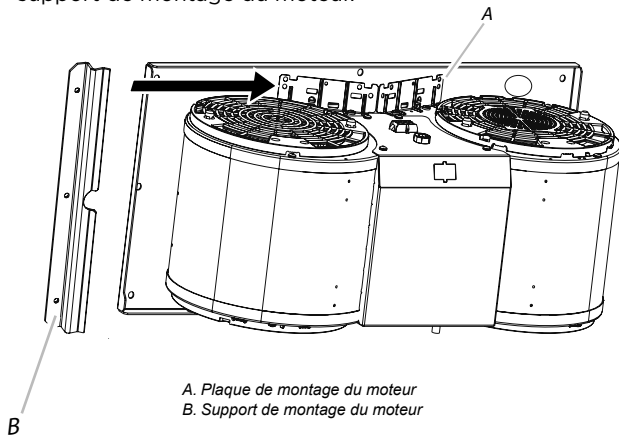


A. Plaque de montage
B. Clip à ressort



A. Plaque de montage
B. Clip à ressort

- 6 Faites glisser la plaque de montage gauche de dessous le support de montage du moteur.



- 7 Retirez le moteur du ventilateur interne de la hotte.
8 Remplacez les filtres à graisse de la hotte.

Préparer le montage du ventilateur externe

Le système de soufflage externe doit être fixé à une structure sécurisée du mur ou de la construction de châssis neuve ou existante. Les 7 trous du côté entrée (bas) ou du côté sortie (supérieur) du ventilateur doivent être utilisés pour monter le système de soufflante externe sur la structure.

REMARQUE: Les emplacements des trous de montage doivent couvrir les montants. Un encadrement supplémentaire peut être requis. Le contreplaqué peut être utilisé pour couvrir des zones ouvertes entre les solives du plafond ou les chevrons de toit pour faciliter l'installation. Cette structure doit être suffisamment solide pour supporter le poids du système de soufflante externe (83 lb [37.5 kg] min).

Préparer le système de soufflante externe

⚠ AVERTISSEMENT

Risque de poids excessif

Utilisez deux personnes ou plus pour déplacer et installer la hotte.

Ne pas le faire peut entraîner des blessures au dos ou autres.

- 1 Débranchez le courant.

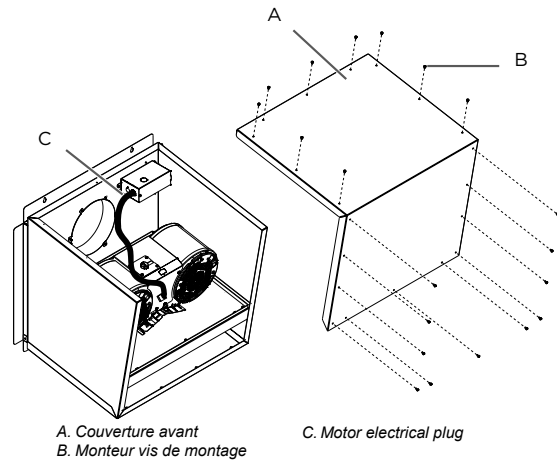
- 2 À l'aide de deux personnes ou plus, déplacez le système de moteur du ventilateur externe vers l'emplacement de montage.

- 3 Retirez les 20 vis du capot avant du carter du moteur du ventilateur extérieur et mettez-les de côté.

- 4 Retirez le capot avant du boîtier du moteur de ventilateur externe et mettez-le de côté.

REMARQUE: pour faciliter le montage du boîtier du moteur de ventilateur externe, vous pouvez retirer le moteur de ventilateur.

- 5 Débranchez la fiche électrique du moteur de la soufflante.
- 6 Retirez les vis qui fixent le moteur du ventilateur au boîtier du ventilateur externe et mettez-les de côté.
- 7 Tirez sur la pince à ressort pour libérer le moteur du ventilateur. Retirez le moteur du ventilateur du boîtier et placez-le sur une surface couverte.



Installer le système de soufflante

⚠ AVERTISSEMENT

Risque de poids excessif

Utilisez deux personnes ou plus pour déplacer et installer la hotte.

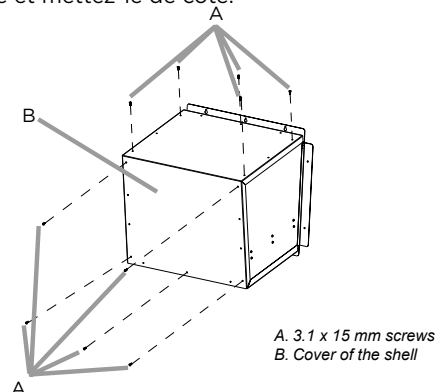
Ne pas le faire peut entraîner des blessures au dos ou autres.

- 1 Débranchez l'alimentation électrique.

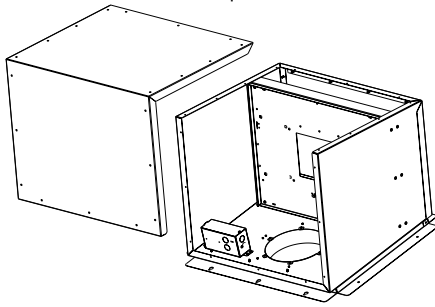
- 2 Déterminez la méthode d'évacuation à utiliser : évacuation par le toit ou par le mur.

- 3 À l'aide de deux personnes ou plus, déplacez le système de moteur soufflant en ligne vers l'emplacement de montage.

- 4 Retirez les 10 vis 3,1 x 15 mm du couvercle de la coque et gardez-les pour plus tard. Retirez le couvercle avant de la coque et mettez-le de côté.

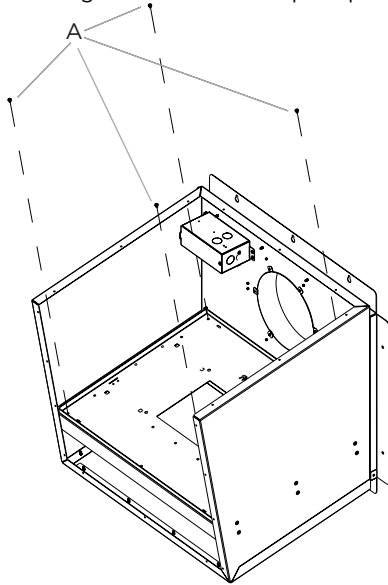


5 Retirez le couvercle de la coquille.

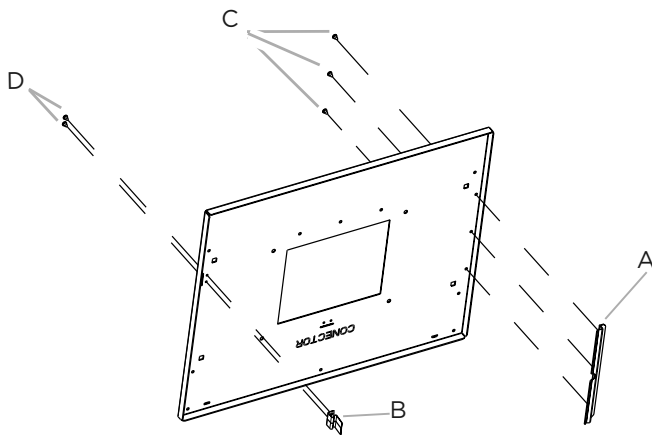


Pour les modèles du hotte EAR134S4, EAR140S4, EAR146S4, ECL136S4, ECL142S4, ECL148S4, ETR134S1 et ETR146SS

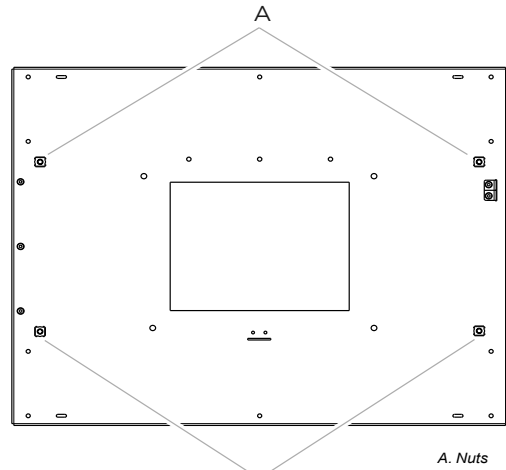
1 Dévissez les 4 vis de 4,2 x 8 mm (A) du support de la plaque de montage et conservez-les pour plus tard.



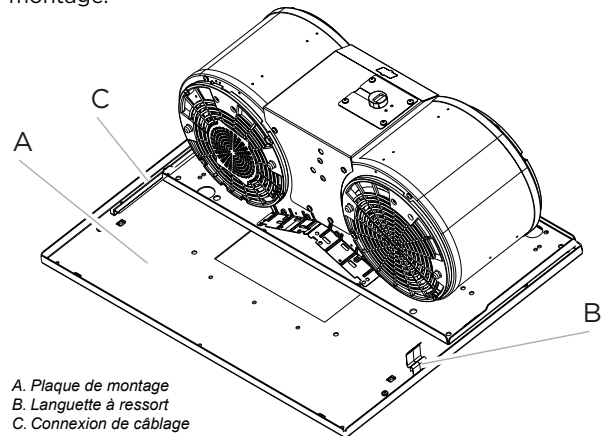
2 Fixez la patte de support (A) et la patte à ressort (B), les pattes de support aux fentes de vis appropriées en suivant l'image suivante.



3 Placez les écrous sur le dessus de la coquille sur les créneaux de droite.



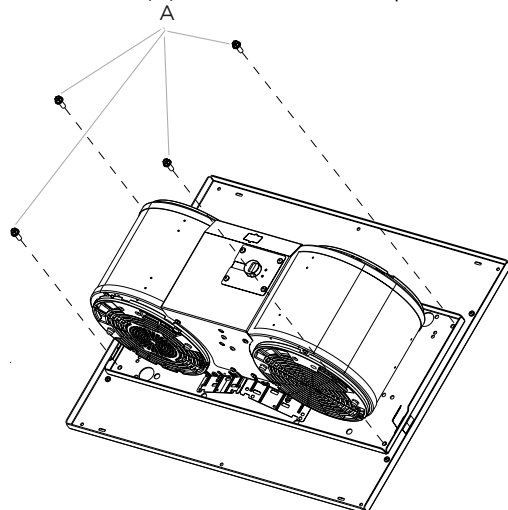
4 Faites glisser à mi-chemin la plaque de montage de l'ensemble moteur soufflant, depuis l'avant de la coque, en la faisant passer doucement sur le support de la plaque de montage.

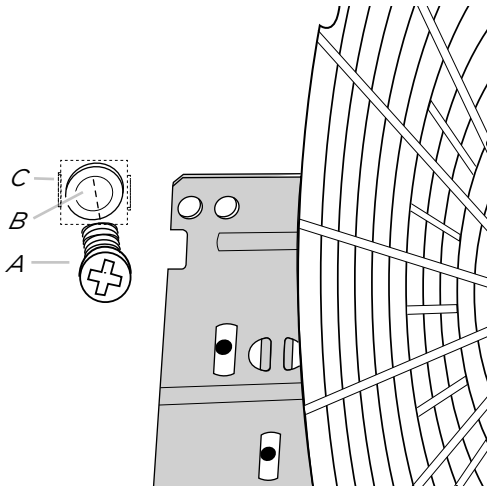


A. Plaque de montage
B. Languette à ressort
C. Connexion de câblage

5 Poussez l'extrémité droite de la plaque de montage du moteur vers le haut et enclenchez-la dans la languette du ressort.

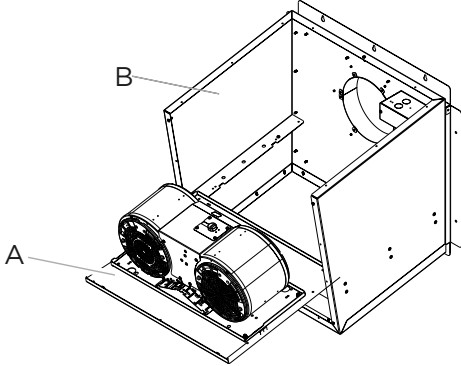
REMARQUE : La languette du ressort doit se trouver à l'extérieur de la fente de la plaque de montage. Alignez les trous de montage de la plaque de montage du moteur avec les écrous à clips de montage du moteur et installez 4 vis de 6 x 16 mm (A) avec les écrous à clips.



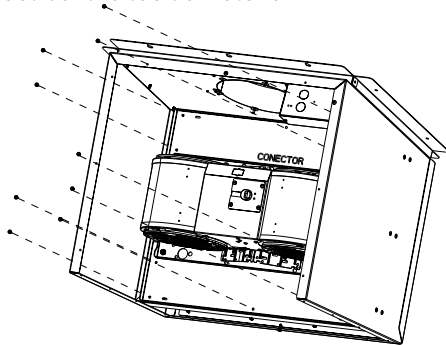


A. Vis avec rondelle d'arrêt
 B. Trou de montage dans la plaque de montage du moteur
 C. Écrou de fixation

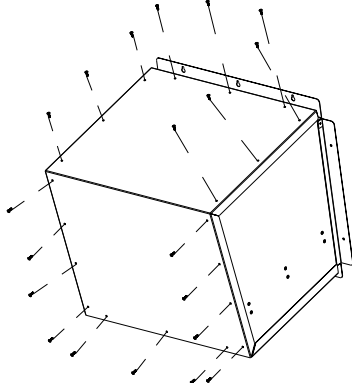
- 6 Faites glisser le support de la plaque (A) de montage dans la coque par-dessus les supports latéraux.



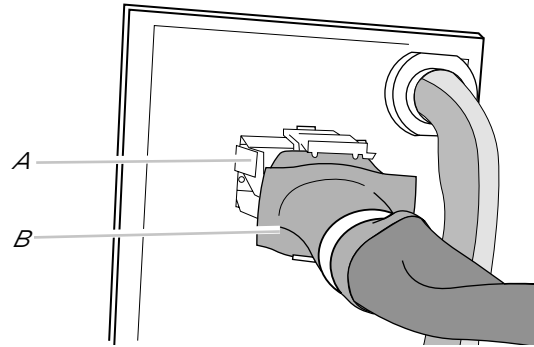
- 7 Remplacez le support de la plaque de montage sur les supports latéraux et fixez-le avec les 4 vis retirées précédemment et les 5 vis supplémentaires de 4,2 x 8 mm contenues dans le sac de matériel.



- 8 Remplacez le couvercle de la coque et fixez-le avec les 10 vis retirées précédemment et les 5 vis supplémentaires de 4,2 x 8 mm contenues dans le sac de matériel.



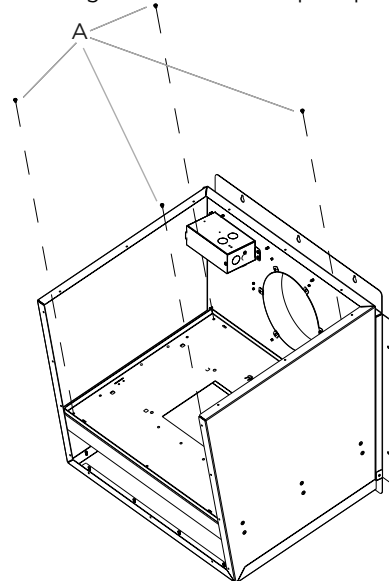
- 9 Fixez le connecteur du cordon d'alimentation de la hotte au connecteur du boîtier de câblage.



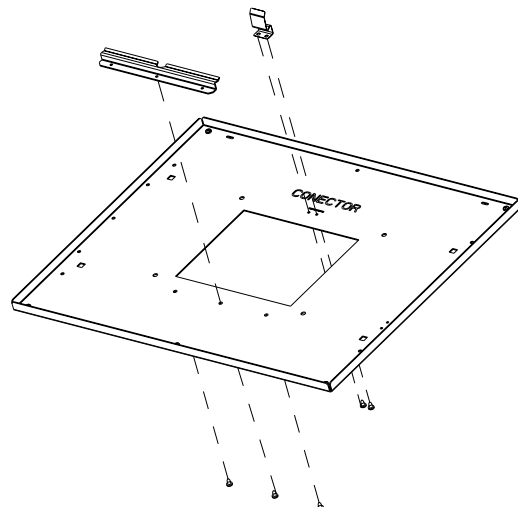
A. Connecteur du boîtier de câblage
 B. Connecteur d'alimentation de la hotte

Pour les modèles du hotte ELN136S2, ELN142S2, ELN148SS, ELI136S2 et ELI142S2

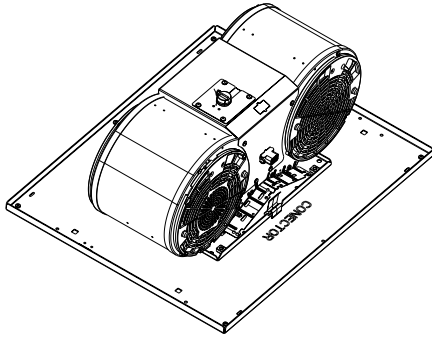
- 1 Dévissez les 4 vis de 4,2 x 8 mm (A) du support de la plaque de montage et conservez-les pour plus tard.



- 2 Fixez la patte de support et la patte à ressort, les pattes de support aux fentes de vis appropriées en suivant l'image suivante.



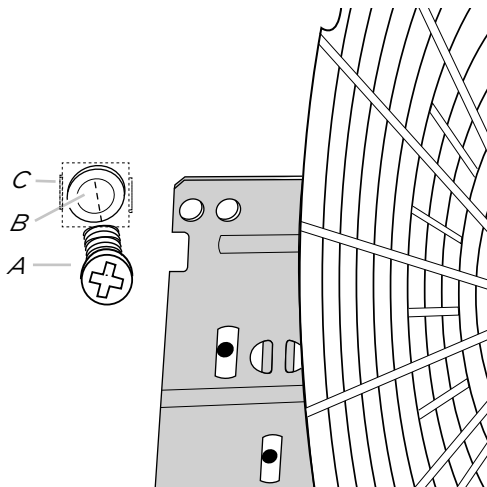
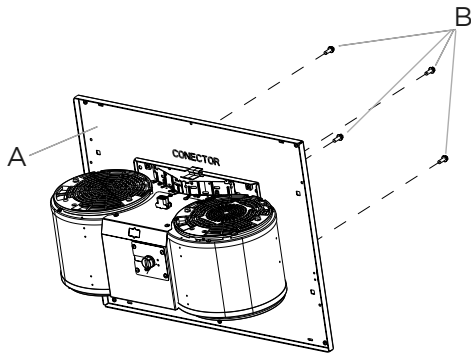
- 3 Faites glisser la plaque de montage de l'ensemble moteur soufflant, depuis l'avant de la coque, doucement sur le support de la plaque de montage.



- 4 Poussez l'extrémité droite de la plaque de montage du moteur vers le haut et enclenchez-la dans la languette du ressort.

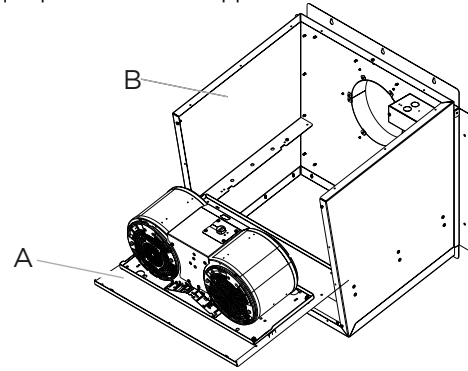
REMARQUE: La languette du ressort doit se trouver à l'extérieur de la fente de la plaque de montage.

- 5 Placez les écrous sur le dessus de la coque sur les fentes de droite et alignez les trous de montage de la plaque de montage du moteur (A) avec les écrous à clip de montage du moteur et installez 4 - 6 x 16 mm vis (B) avec les écrous à clip.

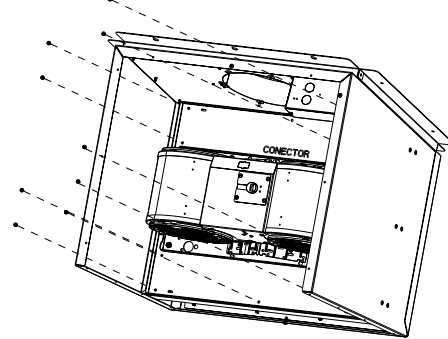


A. Vis avec rondelle d'arrêt
B. Trou de montage dans la plaque de montage du moteur
C. Écrou de fixation

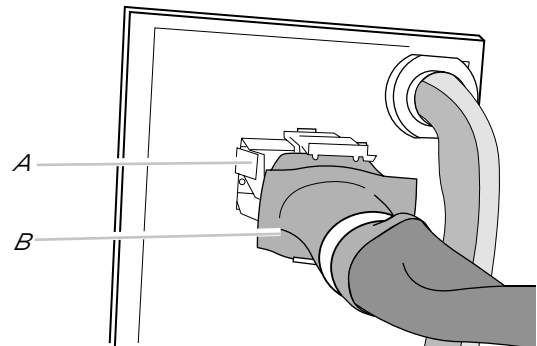
- 6 Faites glisser le support de la plaque de montage (A) dans la coque par-dessus les supports latéraux.



- 7 Remplacez le support de la plaque de montage sur les supports latéraux et fixez-le avec les 4 vis retirées précédemment et les 5 vis supplémentaires de 4,2 x 8 mm contenues dans le sac de matériel.

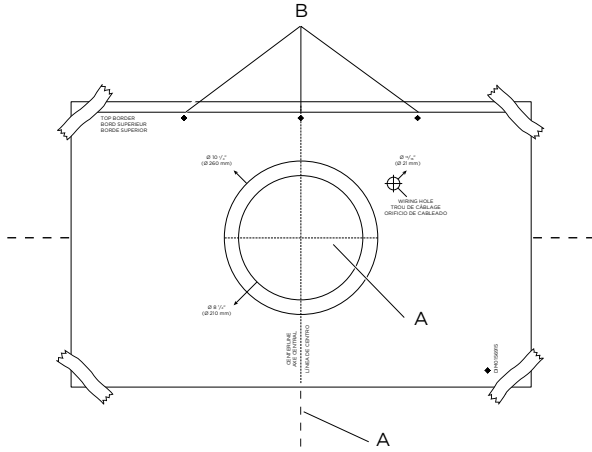


- 8 Fixez le connecteur du cordon d'alimentation de la hotte au connecteur du boîtier de câblage.



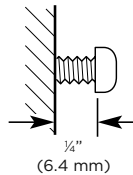
A. Connecteur du boîtier de câblage
B. Connecteur d'alimentation de la hotte

- Déterminez et marquez les lignes centrales verticale et horizontale du système d'échappement sur le mur où le kit va être installé.
- Débranchez le courant.
- Tape le modèle d'installation en place, en alignant les lignes médianes du modèle avec les marques de mur déjà faites.

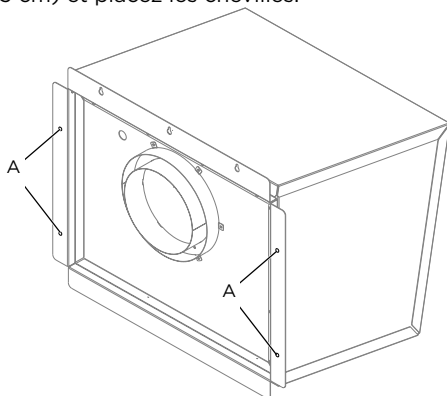


A. Lignes centrales du modèle d'installation
B. Vis de montage supérieures

- Déterminez et effectuez toutes les coupes nécessaires pour le système de ventilation.
IMPORTANT: lors de la découpe ou du perçage dans le mur, ne pas endommager les câbles électriques ou autres utilitaires cachés.
- Déterminez l'emplacement où le conduit de câblage de 1/2" (1,3 cm) sera acheminé à travers le mur entre le ventilateur extérieur et la hotte de cuisine.
- Percer un trou de 1/4" (3,2 cm) à cet endroit.
- Percez les avant-trous de montage supérieurs avec un foret de 3/8" (0,95 cm) et placez les ancrages muraux.
- Laissez un espace de 1/4" (6,4 mm) entre le mur et l'arrière de la tête de vis supérieure pour faire glisser la hotte en place.



- Retirez le modèle.
- Placez le kit à l'emplacement souhaité et marquez au crayon l'emplacement des 4 trous de fixation.
- Retirez le kit de ventilateur externe.
- Percez les 4 trous pilotes de montage avec un foret de 3/8" (0,95 cm) et placez les chevilles.



A. Mounting holes

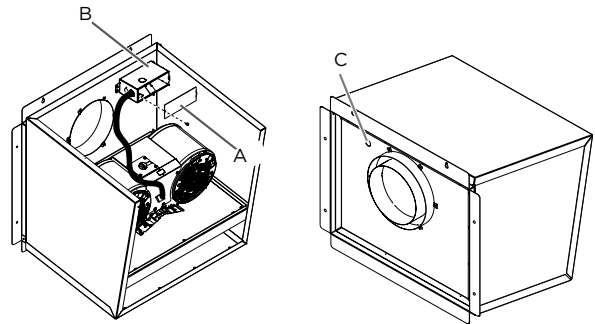
- Placez et fixez le boîtier du moteur de la soufflerie externe à l'emplacement de montage à l'aide de 4 vis de 6,3 x 60 mm et de 4 rondelles de 4 x 1,8. Ces pièces sont incluses dans le kit du moteur de la hotte.

REMARQUE: Le boîtier du moteur de la soufflante peut être monté à l'aide de 4 trous, soit du côté de l'entrée, soit du côté de la sortie de la soufflante.

- S'il a été retiré, réinstaller l'ensemble du moteur de la soufflante et le fixer avec les vis précédemment retirées.
- Si elle a été retirée, rebranchez la fiche électrique du moteur sur le connecteur de l'ensemble du moteur de la soufflante.

Achever la Préparation

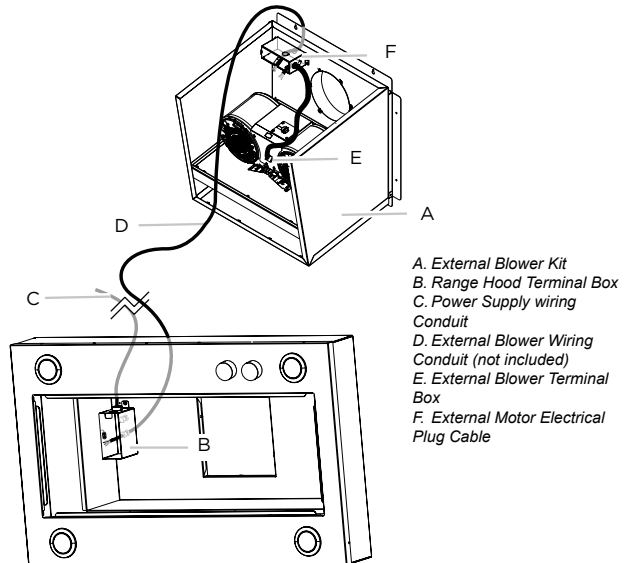
- Localisez les boîtes à bornes électriques dans le boîtier du ventilateur externe et la hotte. Retirez les couvercles de la boîte à bornes et mettez les couvercles et les vis de côté.



A. Couvercle de la boîte à bornes
B. Découpe électrique
C. Vis de Couvercle de la boîte à bornes

- Retirez le connecteur défonçable électrique du boîtier de la soufflante externe et de la hotte de cuisine (voir les instructions d'installation de la hotte de cuisine) pour préparer l'installation du conduit de câblage et du connecteur de 1/2" (1,3 cm) homologués UL ou approuvés par la CSA.
- Avec la hotte de cuisinière montée (voir les instructions d'installation de la hotte de cuisinière), faites passer le conduit de câblage de 1/2" (1,3 cm) entre le carter du moteur de soufflerie externe et la hotte de cuisinière. Tirez suffisamment de conduit de câblage de 1/2" pour permettre un raccordement facile aux boîtes à bornes situées dans le carter de soufflante externe et la hotte de cuisine.

REMARQUE: Si nécessaire, enlevez la transition de la hotte de cuisine.

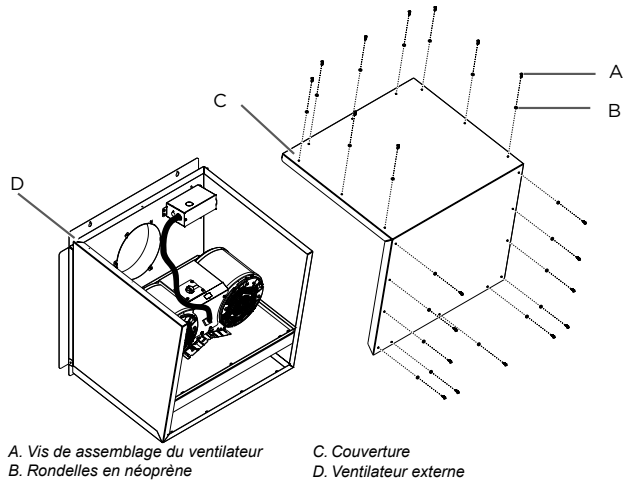


A. External Blower Kit
B. Range Hood Terminal Box
C. Power Supply wiring Conduit
D. External Blower Wiring Conduit (not included)
E. External Blower Terminal Box
F. External Motor Electrical Plug Cable

- 4 Installez les connecteurs de conduit et le conduit sur le boîtier du ventilateur externe et les boîtes à bornes électriques de la hotte.
- REMARQUE: S'il est retiré, installez la transition de la hotte.
- 5 Connectez le système de ventilation à la hotte et au système de ventilation externe. Scellez tous les joints avec des pinces.
- 6 Une fois la connexion électrique établie, placez le couvercle avant du kit avec les rondelles en néoprène et les vis de raccordement du ventilateur.

⚠ ADVERTISSEMENT

Pour utiliser correctement votre produit, vous devez installer les rondelles en néoprène afin d'éviter toute infiltration d'eau.



A. Vis de assemblage du ventilateur
B. Rondelles en néoprène

C. Couverture
D. Ventilateur externe

Instructions de connexion électrique

Connexion électrique pour le système de moteur soufflant externe

⚠ ATTENTION

Risque de choc électrique
Débranchez l'alimentation avant de procéder à l'entretien.
Remplacez toutes les pièces et tous les panneaux avant de les utiliser.

Ne pas le faire peut entraîner la mort ou un choc électrique.

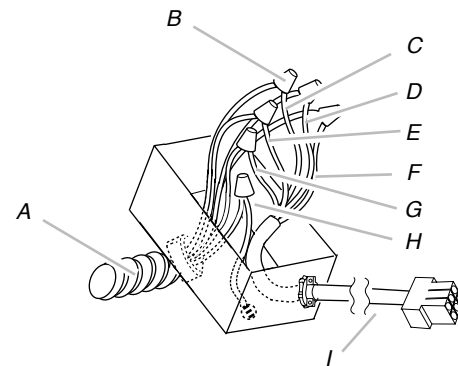
⚠ ATTENTION

Risque de choc électrique
Ventilateur électrique
Connectez le fil de terre au fil de terre vert et jaune dans la boîte à bornes.
Ne pas le faire peut entraîner la mort ou un choc électrique.

REMARQUE: Le schéma de câblage est joint à la fin du document.

Connexion électrique à l'intérieur du système de soufflante externe

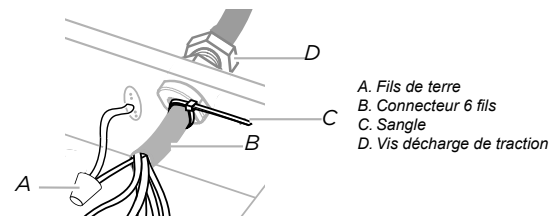
- 1 Débranchez l'alimentation.
- 2 Connectez les fils du conduit de câblage aux fils du câble de la fiche électrique du moteur à l'intérieur de la boîte à bornes du boîtier de ventilateur externe.
- 3 Utilisez des connecteurs de fils listés UL et connectez les fils noirs (C) ensemble.
- 4 Utilisez des connecteurs de fils listés UL et connectez les fils blancs (D) ensemble.
- 5 Utilisez des connecteurs de fils listés UL et connectez les fils rouges (E) ensemble.
- 6 Utilisez des connecteurs de fils listés UL et connectez les fils bleus (F) ensemble.
- 7 Utilisez des connecteurs de fils listés UL et connectez les fils gris (G) ensemble.
- 8 Connectez le fil de terre vert (ou vert / jaune) du conduit de câblage au fil de terre vert (ou jaune / vert), blanc et noir (H) dans la boîte à bornes en utilisant des connecteurs de fils listés UL.



A. Décharge de traction
B. Fil listé UL connecteurs
C. Fils noirs
D. Fils blancs
E. Fils rouges

F. Fils bleus
G. Fils gris
H. Vert (ou jaune / vert) et vert / fils jaune,
I. Prise électrique du moteur câble

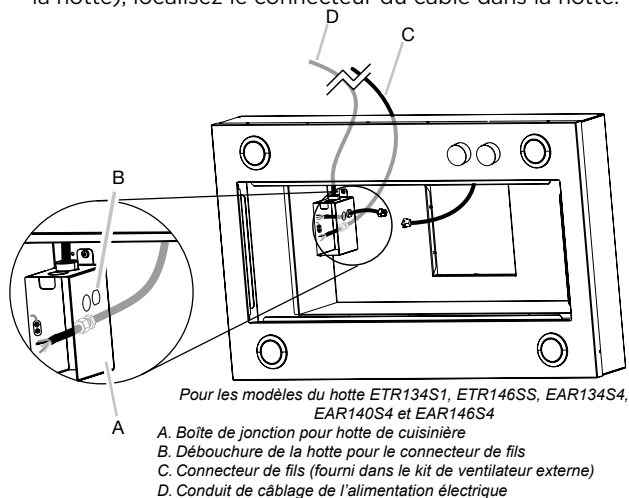
- 9 Une fois la connexion effectuée, il est nécessaire de régler le connecteur à 6 fils avec la sangle fournie.



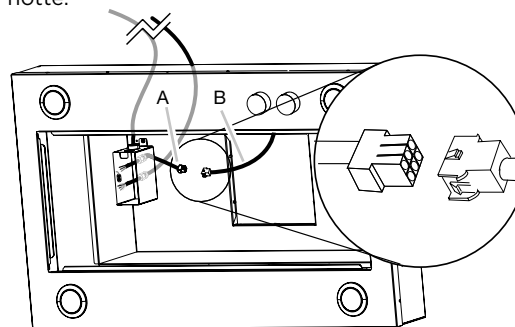
A. Fils de terre
B. Connecteur 6 fils
C. Sangle
D. Vis décharge de traction

- 10 Réinstallez le couvercle de la boîte à bornes du ventilateur externe et les vis.
- 11 Réinstallez le capot avant du boîtier du ventilateur externe et fixez-le avec 10 vis de fixation.

- 1 Avec la hotte montée (voir les instructions d'installation de la hotte), localisez le connecteur du câble dans la hotte.

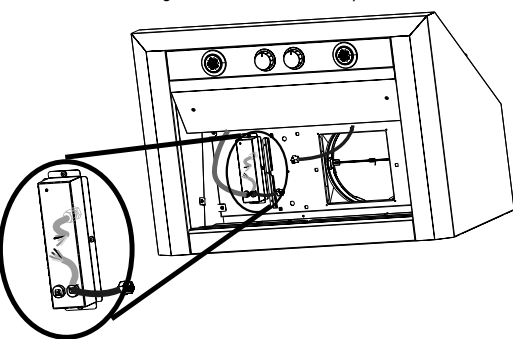
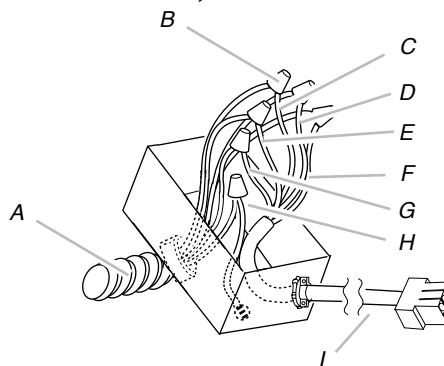
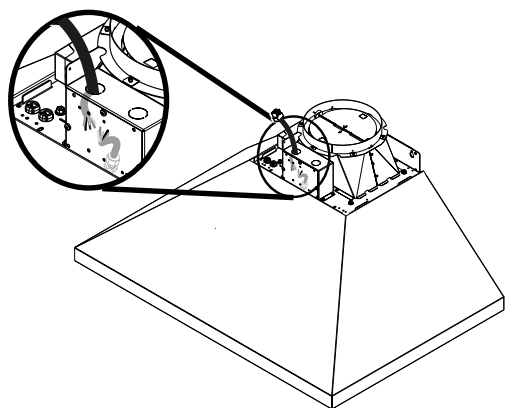


- 2 Connectez le connecteur à 6 fils fourni avec le système de moteur soufflant en ligne au connecteur correspondant de la hotte.



- 3 Installez des réducteurs de tension homologués UL ou CSA. Passer à travers le serre-câble du connecteur de fil 6 et du conduit de câblage du ventilateur externe.(non inclus, en laissant une longueur de câble suffisante pour effectuer les connexions de câblage).
- 4 Serrer les vis de décharge de traction Raccordez les fils de l'ensemble du connecteur à 6 fils aux fils du conduit de câblage à l'intérieur de la boîte à bornes de la hotte.
- 5 Connectez les mêmes fils de couleur l'un à l'autre (noir à noir, blanc à blanc, etc.) en utilisant des connecteurs de fils répertoriés UL.

REMARQUE: Connectez le fil de terre vert (ou vert/jaune) du conduit de câblage au fil de terre vert (ou nu) de l'alimentation domestique et au fil de terre vert/jaune du connecteur à 6 fils (H) en utilisant des connecteurs de fils homologués UL (voir la section «Raccordements de l'alimentation électrique à la hotte» dans les instructions d'installation de la hotte).



- 6 Connectez le câblage de l'alimentation secteur à la hotte en suivant les instructions fournies avec la hotte.
- 7 Réinstallez le couvercle de la boîte à bornes de la hotte de cuisinière.
- 8 Rebranchez l'alimentation

ELICA North America

GARANTIE DE DEUX ANS

Enregistrez votre produit sur

elica.com

et obtenez une 3^e année de garantie, qui couvre toutes les pièces en plus de la main-d'œuvre.

POUR OBTENIR UN DEPANNAGE SOUS GARANTIE

Le propriétaire doit présenter une preuve de la date d'achat. Garder une copie de votre preuve d'achat datée (ticket de caisse) de façon à pouvoir bénéficier du service après-vente sous garantie.

GARANTIE PIÈCES DE RECHANGE ET MAIN D'OEUVRE

Pendant une période de deux (2) ans à partir de la date d'achat, Elica s'engage à fournir gratuitement les pièces de rechange ou les composants autres que les recharges ayant des défauts de fabrication. Durant cette garantie de deux (2) ans, Elica fournira également gratuitement, toute la main d'oeuvre et le service à domicile pour remplacer d'éventuelles pièces défectueuses.

CE QUE LA GARANTIE NE COUVRE PAS

- Dégât ou panne du produit causé par un accident ou un cas de force majeure tels que inondation, incendie ou tremblement de terre.
- Dégât ou panne du produit causé par modification du produit ou utilisation de pièces pas d'origine.
- Dégât ou panne du produit causé lors de la livraison, de la manipulation ou de l'installation.
- Dégât ou panne du produit causé par une mauvaise utilisation.
- Dégât ou panne du produit causé par un remplacement des fusibles ou une remise en fonction des disjoncteurs par le propriétaire.
- Dégât ou panne du produit causé par une utilisation du produit pour raison commerciale.
- Déplacement à domicile pour explication d'utilisation ou d'entretien.
- Ampoules, filtres métalliques ou au charbon et toute autre pièce consommable.
- Usure normale.
- Usure due à une mauvaise utilisation du propriétaire, un entretien incorrect, une utilisation de substances nettoyantes corrosives ou abrasives et produits de nettoyage pour four.
- Lorsque le produit n'a pas été utilisé conformément aux instructions d'utilisation qui l'accompagnent.

QUI EST COUVERT

Cette garantie s'étend à l'acheteur original de produits achetés pour un usage domestique habituel en Amérique du Nord (Y compris Etats Unis, Guam, Porto Rico, les Iles virgin Américaines & le Canada).

Cette garantie n'est pas transférable et vaut uniquement pour l'acheteur original et ne s'étend pas aux propriétaires successifs du produit. Cette garantie vaut expressément en lieu et place de toute autre garantie, expresse ou sous-entendue, mais ne limite pas toute autre garantie sous-entendue de marchandage ou adaptation dans un but particulier et toute autre obligation de la part de Elica North America, étant entendu, cependant, que si la réclamation pour garanties sous-entendues n'est pas applicable aux yeux de la loi en vigueur, la durée de toute garantie sous-entendue émanant de la loi doit être limitée à deux (2) ans à partir de la date d'achat du produit ou à une période plus longue selon ce que dit la loi en vigueur.

Cette garantie ne couvre pas tout dégât particulier, accidentel et/ou consécutif, ni les pertes et profits, à charge du propriétaire, des ses clients et/ou des utilisateurs Des produits.

QUI CONTACTER

Pour obtenir un Service Après-vente durant la Garantie ou pour toute autre Question liée au Service Après-vente: Appeler:

- **USA & CANADA - Provinces de l'Ouest**
SERVICE POWER
888 732 8018
elica@servicepower.com
- **CANADA - Province de l'Ontario**
AGI Services
888 651 2534
service@agintl.qc.ca
- **CANADA - Québec et provinces de l'Atlantique**
Ateliers G. Paquette
800 463 0119
service@ateliersgpaquette.com

Pour garantir un service après-vente rapide, quand vous téléphonerez nous vous prions de bien vouloir donner les informations suivantes, qui sont indiquées sur la plaque signalétique qui se trouve à l'intérieur de la hotte: **modèle, 12 NC et date d'achat sur votre facture originale**. Pour accéder à la plaque signalétique, il vous suffit d'enlever les filtres graisse.

12NC: _____

Modèle: _____

N° de série: _____

Date d'achat sur votre facture originale: _____

Aviso de Seguridad Importante	31
Requisitos eléctricos	32
Lista de materiales	33
Garantía	43

**APROBADO PARA APARATOS DE USO DOMÉSTICO
SÓLO PARA USO DOMÉSTICO
LEA Y GUARDE ESTAS INSTRUCCIONES**

**ANTES DE CONTINUAR, LEA LAS INSTRUCCIONES POR COMPLETO.
LA INSTALACIÓN DEBE CUMPLIR TODA LA NORMATIVA LOCAL.**

IMPORTANTE: Guarde estas instrucciones para su uso por parte del inspector de electricidad local.

INSTALADOR: Entregue al propietario estas instrucciones junto con la unidad.

PROPIETARIO: Conserve estas instrucciones para futuras consultas.

Advertencia de seguridad: Antes de realizar el cableado de este aparato, desactive el circuito de energía eléctrica en el panel de servicio y desbloquee el panel.

Requisito: Circuito auxiliar de 120 V AC, 60 Hz. 15 ó 20 A.

⚠ Aviso de Seguridad Importante

⚠ PRECAUCIÓN

SÓLO PARA USO DE VENTILACIÓN GENERAL. NO UTILIZAR PARA EXPULSAR VAPORES O MATERIALES PELIGROSOS O EXPLOSIVOS.

⚠ ADVERTENCIA

PARA REDUCIR EL RIESGO DE FUEGO, DESCARGA ELÉCTRICA O LESIONES PERSONALES, RESPETE LO SIGUIENTE:

- A. Utilice esta unidad solamente en el modo que indica el fabricante. En caso de duda, póngase en contacto con el fabricante.
- B. Antes de reparar o limpiar la unidad, desconecte la alimentación en el panel de servicio y bloquee los medios de desconexión del panel de servicio para evitar la conexión accidental de la alimentación. Si no es posible bloquear los medios de desconexión del panel de servicio, coloque un dispositivo de advertencia que destaque como, por ejemplo, una etiqueta, en el panel de servicio.
- C. La instalación y el cableado eléctrico deben realizarlos personas cualificadas de acuerdo con las normativas y los estándares aplicables, incluida la construcción ignífuga.
- D. Es necesaria una ventilación suficiente para la correcta combustión y expulsión de gases por la salida de humos (Chimenea) del equipo de combustión de carburante para evitar el contratiro. Siga las directrices de fabricantes de equipos de calefacción y los estándares de seguridad como los publicados por la National Fire Protection Association (NFPA), American Society for Heating, Refrigeration and Air Conditioning Engineers (ASHRAE) y las normativas locales.
- E. Al efectuar orificios en una pared o techo, no dañe el cableado eléctrico y otras instalaciones ocultas.
- F. Los sistemas instalados mediante conducto deben tener ventilación con salida al exterior.

⚠ PRECAUCIÓN

Para reducir el riesgo de fuego y conseguir una salida del aire correcta, asegúrese de conducir el aire hacia el exterior. No permita que el aire se expulse en espacios situados en el interior de muros, techos, desvanes, sótanos de pequeña altura o garajes.

⚠ ADVERTENCIA

PARA REDUCIR EL RIESGO DE FUEGO, UTILICE SOLAMENTE TUBOS METÁLICOS. Instale esta campana de acuerdo con los requisitos especificados.

Para modelos de doble motor (ELN136S2, ELN142S2, ELN148SS, ELI136S2, ELI142S2, EAR134S4, EAR140S4, EAR146S4, ECL136S4, ECL142S4, ECL148S4, ETR134S1, ETR146SS)

⚠ ADVERTENCIA

Para reducir el riesgo de fuego o descarga eléctrica, no utilice esta campana con ningún dispositivo externo en estado sólido para el control de la velocidad.

⚠ ADVERTENCIA

PARA REDUCIR EL RIESGO DE INCENDIO OCASIONADO POR GRASA:

- a) No deje nunca ninguna unidad externa desatendida y con valores de fuego altos. La cocción puede causar humo o reboses de grasa que pueden prender fuego. Caliente el aceite a fuego lento o medio.
- b) Limpie con frecuencia los ventiladores. No permita que la grasa se acumule en el ventilador o filtro.
- c) Utilice un tamaño de sartén adecuado. Utilice siempre piezas de batería de cocina adecuadas al tamaño del elemento de superficie.

⚠ ADVERTENCIA

PARA REDUCIR EL RIESGO DE LESIONES PERSONALES, EN CASO DE FUEGO OCASIONADO POR GRASA, TENGA EN CUENTA LO SIGUIENTE:^a

- a) EXTINGA LAS LLAMAS con una tapa ajustada, una lámina para hacer galletas u otro tipo de bandeja metálica y apague el quemador de gas o elemento eléctrico. TENGA CUIDADO PARA EVITAR QUEMADURAS. Si las llamas no se extinguen inmediatamente, DESALOJE EL LUGAR Y LLAME A LOS BOMBEROS.
- b) NUNCA TOME UNA SARTÉN EN LLAMAS, podría sufrir quemaduras.
- c) NO UTILICE AGUA, incluidas bayetas o toallas húmedas ya que se produciría una violenta explosión de vapor.
- d) Utilice un extintor SÓLO si:
 - 1) Sabe que dispone de un extintor de la clase ABC y conoce su funcionamiento.
 - 2) El fuego es pequeño y se encuentra en la misma zona donde se inició.
 - 3) Ha llamado a los bomberos.
 - 4) Puede luchar contra el fuego teniendo una salida a su espalda.

^aBasado en "Consejos de seguridad para fuegos de cocina" publicado por NFPA.

⚠ PRECAUCIÓN

Equipo operado automáticamente - para reducir el riesgo de lastimarse desconecte de la línea antes de dar servicio.

IMPORTANTE

Verifique todos los códigos y leyes vigentes.

- Este Kit debe ser instalado por un técnico calificado.
- Todas las aberturas en el techo o en la pared donde se instalará el sistema del ventilador de motor en líneas deben sellarse.

Para instalaciones de casas móviles

La instalación de este sistema de motor en línea debe cumplir con las Normas de Seguridad de Construcción de Casas Prefabricadas, Título 24 CFR, Parte 328 (anteriormente el Estándar Federal para Construcción y Seguridad de Casas Móviles, Título 24, HUD, Parte 280) o cuando dicho estándar no es aplicable, el estándar para la Instalación de casas prefabricadas de 1982 (Sitios de casas prefabricadas, comunidades y configuraciones) ANSI A225.1 / NFPA 501A *, o la última edición, o con códigos locales.

Se puede obtener una copia de las normas del código anterior en:

National Fire Protection Association
One Batterymarch Park
Quincy, MA 02269
CSA International
8501 East Pleasant Valley Road
Cleveland, OH 44131-5575

- Se necesita un circuito eléctrico de 120 voltios, 60 hz, CA solamente, de 15 amperios y protegido con fusibles.
- Si la casa tiene cableado de aluminio, siga el procedimiento a continuación:

- 1 Conecte una sección de alambre de cobre sólido a los conductores flexibles.
- 2 Conecte el cableado de aluminio a la sección añadida de alambre de cobre usando conectores especiales y/o herramientas diseñadas y de la lista de UL para unir el cobre al aluminio.

Siga el procedimiento recomendado por el fabricante del conector eléctrico. La conexión de cobre/aluminio deberá hacerse en conformidad con los códigos locales y las prácticas de cableado aceptadas por la industria.

- Debe proveerse un protector de cables aprobado por UL o CSA a cada extremo del cable/conducto de suministro de energía (en la caja de empalmes).
- Los tamaños de los cables deben hacerse de acuerdo a los requisitos del National Electrical Code (Código Nacional Eléctrico), ANSI/NFPA 70 (última edición) o las normas de CSA C22. 1-94 Canadian Electrical Code (Código Canadiense de Electricidad), Parte 1 y C22.2 N° 0-M91 (última edición), y todos los códigos y ordenanzas locales.

Para instalaciones de casas móviles

La instalación de este sistema de motor de soplado externo debe cumplir con las Normas de Seguridad para la Construcción de Casas Móviles, Título 24 CFR, Parte 328 (anteriormente la Norma Federal para la Construcción y Seguridad de Casas Móviles, Título 24, HUD, Parte 280) o cuando dicha norma no sea aplicable, la norma para la Instalación de Casas Móviles de 1982 (Sitios, Comunidades e Instalaciones de Casas Móviles) ANSI A225.1/NFPA 501A*, o la última edición, o con los códigos locales.

Reúna las herramientas y piezas necesarias antes de comenzar la instalación. Lea y siga las instrucciones proporcionadas con las herramientas que se enumeran a continuación.

Tools/Materials required

- Taladro
- Broca de 1/4 "(3 cm)
- Broca de 3/16 "(0.5 cm)
- Lápiz
- Pelacables o cuchillo
- Cinta métrica o regla
- Alicates
- Pistola para calafatear y masilla resistente a la intemperie
- Abrazaderas de ventilación
- Rompecabezas o sierra de cerradura
- Tijeras de metal
- Destornilladores
 - Phillips
 - Hoja plana

Partes no suministradas

- 6 cables AWG, uno de cada uno de los siguientes colores: negro, blanco, rojo, azul, gris y verde o verde/amarillo (tierra)


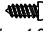






NOTA: La longitud del conducto y de los cables de AWG está determinada por la distancia entre las cajas de terminales del motor de soplador en línea y de la campana extractora.









- 11 - Conectores de cable aprobados por UL

Partes suministradas

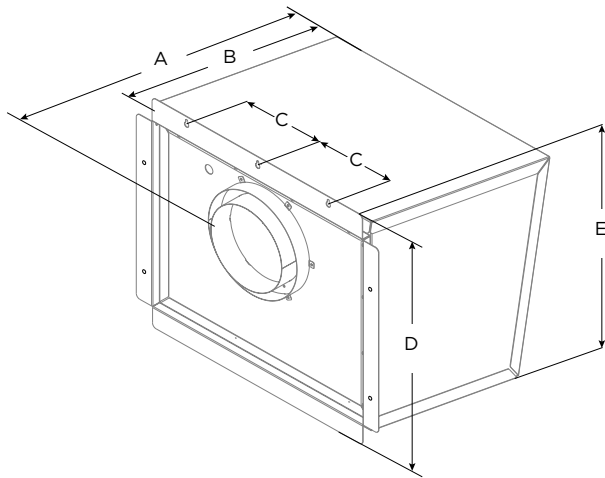
Remueva las partes del empaque. Cheque que todas las partes estén incluidas.

- Carcasa para el montaje del motor
- Bolsa de herramientas con:

Parte	Cant.
 Conector de alivio de tensión	2
 Tornillos 4.2x8 mm	6
 Enchufe eléctrico 6-cables	1
 Rondanas planas 6.4x18mm	4
 Tornillos 6 x 16 mm	4
 Clip de soporte	1
 Tornillos 6.3 x 60 mm	7
 Soporte de montaje del motor	1

Parte	Cant.
 Ø 12 mm conector de alivio de tensión	1
 6x13.5 mm	2
 Torx adaptador	T10 1 T20 1
 Tornillos 4.2 x 15	10
 Cincho 2.5x95 mm	3
 Arandelas de neopreno	20
 10x50 mm taquetes	7
 Tuercas enjauladas	4

Dimensiones del Producto



Dimensiones	
A	21 ¹⁵ / ₁₆ " (55.56 cm)
B	20 ¹ / ₁₆ " (52.56 cm)
C	7 ⁷ / ₈ " (20 cm)
D	24 ⁷ / ₁₆ " (61.95 cm)
E	22 ¹⁰ / ₁₆ " (57.38cm)

NOTA: La altura de instalación recomendada para el kit de motor externo es de 40" (102 cm) del suelo al centro del sistema de ventilación.

Requisitos de ventilación

- El sistema de ventilación debe terminar al aire libre.
- No termine el sistema de ventilación en un ático u otra área cerrada.
- No use ventiladores o tapas de pared de 4" (10.2 cm) para lavandería.
- Use ventilación redonda y metálica solamente. Se recomienda ventilación metálica rígida. No se recomienda ventilación de lámina de plástico o metal.
- La longitud del sistema de ventilación y el número de codos se deben mantener al mínimo para proporcionar un rendimiento eficiente.

Para la operación más eficiente y silenciosa:

- No use más de tres codos de 90 °.
- Asegúrese de que haya un mínimo de 24" (61.0 cm) de ventilación recta entre los codos si se usa más de 1 codo.
- No instales 2 codos juntos.
- Use abrazaderas para sellar todas las juntas en el sistema de ventilación.
- El sistema de ventilación debe tener un regulador.
- Use calafateo resistente a la intemperie para sellar la pared exterior o la abertura del techo alrededor de la tapa.
- El tamaño de la ventilación debe ser uniforme.

Instalaciones de clima frío

Se debe instalar una compuerta de contraflujo adicional para minimizar el flujo de aire frío hacia atrás. Se debe instalar un corte térmico para minimizar la conducción de temperaturas externas como parte del sistema de ventilación. El amortiguador debe estar en el lado del aire frío de la rotura de puente térmico.

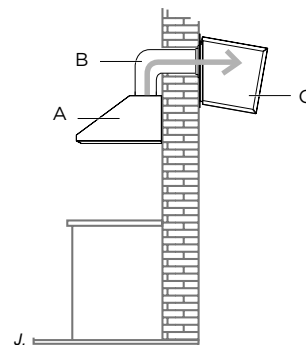
El corte térmico debe ser lo más cercano posible al lugar. El sistema de ventilación entra a la parte calentada de la casa.

Instalaciones típicas del Sistema de Ventilación Externa

Se necesita un sistema de ventilación redondo de 8" (20,32cm) - 10" (25,4 cm) para la instalación (no incluido). Las aberturas de entrada y salida del sistema de ventilación externa son de 8" (20,32cm) - 10" (25,4 cm) redondas. La abertura del escape (salida) en la campana extractora también debe ser al menos de 8" (20,32cm).

NOTA: No se recomienda ventilación flexible. La ventilación flexible crea contrapresión y turbulencia de aire que reduce en gran medida el funcionamiento. El sistema de ventilación puede terminar a través del techo o la pared.

NOTA: La madera contrachapada se puede usar como una base de montaje para abarcar las áreas abiertas entre las vigas del techo y las vigas. Si se usa, asegúrese de usar madera contrachapada capaz de soportar el peso del sistema de ventilador externo (83 lb [37.5 kg]).



A. Campana
B. Ductos de ventilación
C. Kit de motor externo

Instrucciones de Instalación

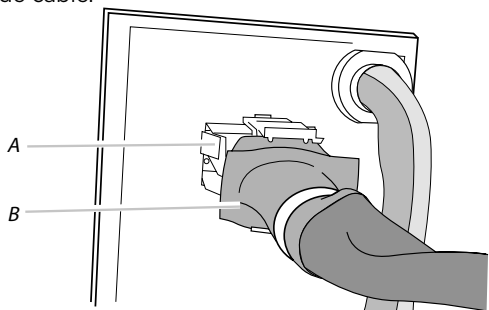
Preparación de la ubicación

- Antes de hacer los recortes, asegúrese de que haya una distancia adecuada dentro del techo o la pared para la ventilación del escape.
- Cuando corte o taladre en el techo o la pared, no dañe el cableado eléctrico u otras utilidades ocultas.
- Verifique que todas las piezas de instalación se hayan eliminado de la caja de envío.

NOTE: Para el correcto funcionamiento de su sistema de ventilación externa, debe quitar el soplador interno del motor de la campana extractora.

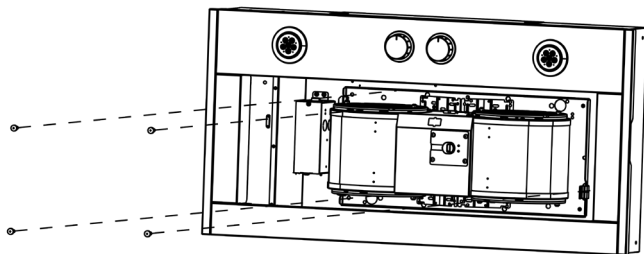
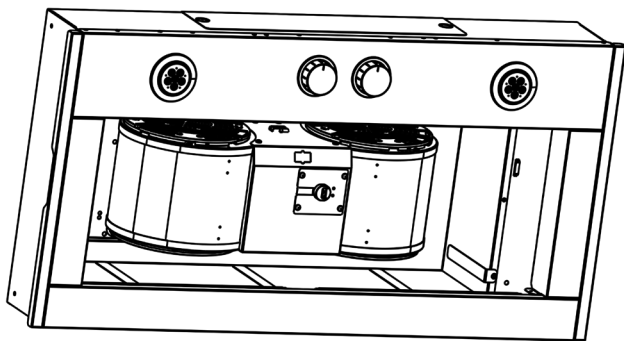
Retire el ventilador interno del motor de la campana extractora

- 1 Retire los filtros de grasa de la campana extractora.
- 2 Desconecte el cable de alimentación del soplador de la caja de cable.

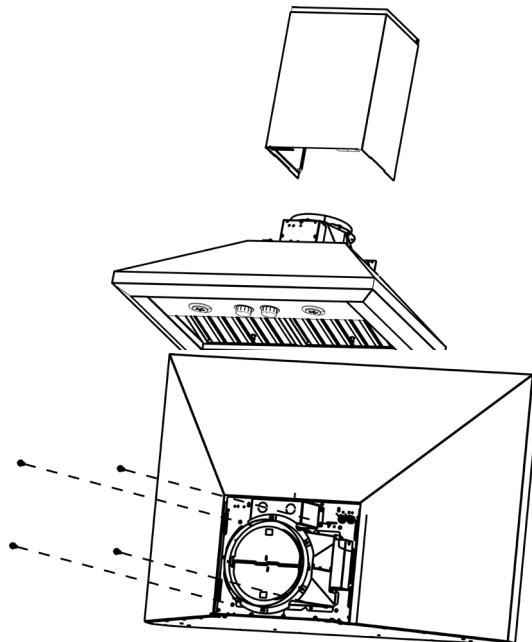


A. Conector de caja
B. Cable de alimentación

- 3 Para modelos de campana EAR134S4, EAR140S4, EAR146S4, ECL136S4, ECL142S4, ECL148S4, ETR134S1 y ETR146SS remueva los 4 - 6 x 16 mm tornillos que sostienen el motor.

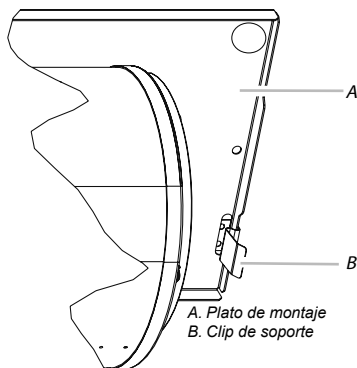


- 4 Para modelos de campana ELN136S2, ELN142S2, ELN148SS, ELI136S2 y ELI142S2 remueva las cubiertas de ducto y los 4 - 6 x 16 mm tornillos del motor.

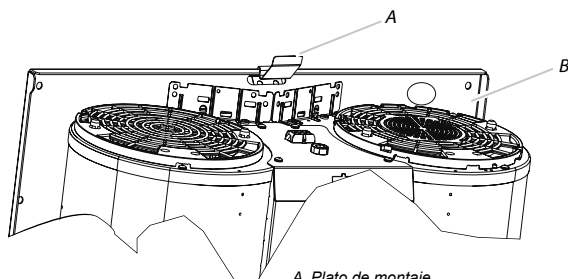


- 5 Remueva el plato de montaje del motor liberando el clip de soporte.

NOTA: El clip de soporte debe estar por fuera del agujero del plato de montaje.

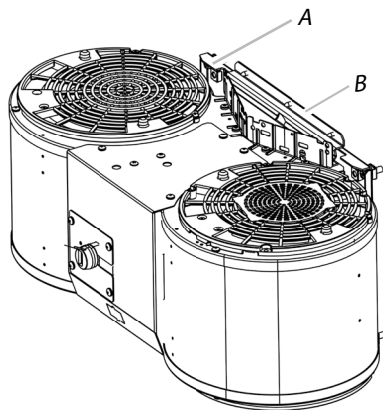
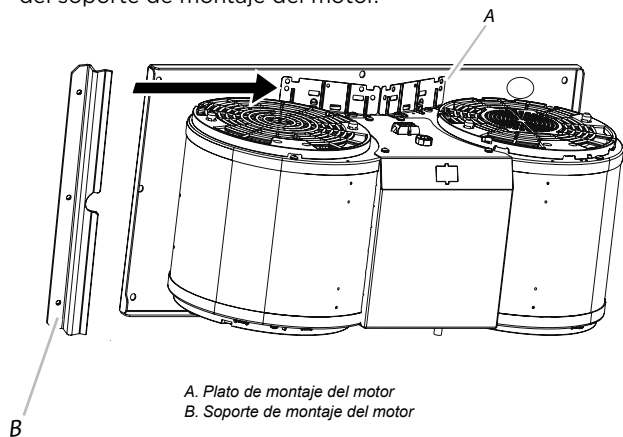


A. Plato de montaje
B. Clip de soporte



A. Plato de montaje
B. Clip de soporte

- Deslice el plato de montaje hacia la izquierda desde debajo del soporte de montaje del motor.



- Remueva el motor de la campana.
- Vuelva a colocar los filtros de grasa en la campana.

Preparación para la Instalación del Sistema de Motor para ventilación externa

El sistema de ventilador en línea debe sujetarse a una estructura segura del techo, el techo, la pared, el piso o la construcción de un armazón nuevo o existente. Los 4 orificios del lado de entrada (inferior) o de salida (superior) del ventilador deben usarse para montar el sistema en línea en la estructura.

NOTE: Las ubicaciones de los orificios de montaje deben abarcar los postes. Es posible que se requiera un marco de montante adicional. La madera contrachapada se puede usar para abarcar áreas abiertas entre las vigas del techo o las vigas del techo para ayudar a la instalación. Esta estructura debe ser lo suficientemente fuerte como para soportar el peso del sistema de ventilador externo (83 lb [37.5 kg] min).

Preparación del Sistema de Motor de Ventilación Externa

⚠ ADVERTENCIA

Peligro de peso excesivo

Use dos o más personas para mover e instalar la campana extractora.

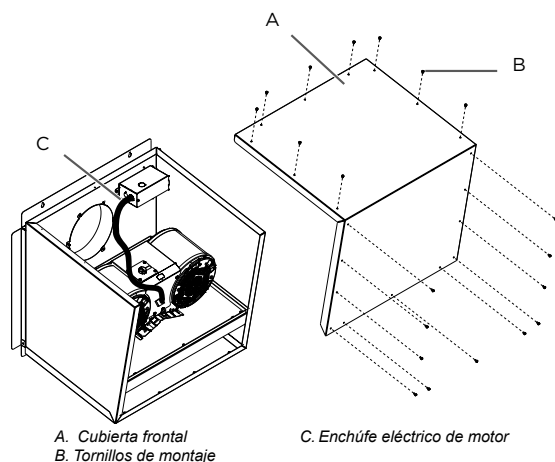
De lo contrario, puede producirse una lesión en la espalda u otro tipo de lesión.

- Desconecte la alimentación.
- Con dos o más personas, mueva el kit de motor externo a la ubicación de montaje.
- Retire los 20 tornillos de la cubierta frontal de la carcasa del motor del soplador externo y déjelos a un lado.

- Retire la cubierta frontal de la carcasa del motor del ventilación externo y déjela a un lado.

NOTA: Para facilitar el montaje del alojamiento del motor del soplador externo, se puede extraer el conjunto del motor del soplador.

- Desconecte el enchufe eléctrico del motor del conjunto del motor del soplador.
- Retire los tornillos que fijan el conjunto del motor del soplador a la carcasa del soplador externo y déjelos a un lado.
- Tire de la abrazadera de resorte para liberar el conjunto del motor del soplador. Retire el conjunto del motor del soplador de la carcasa y colóquelo sobre una superficie cubierta.



Preparar el sistema de soplado externo

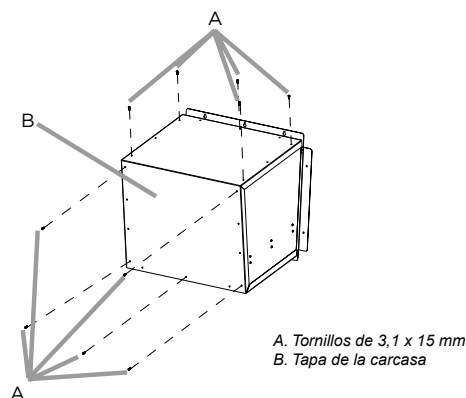
⚠ ADVERTENCIA

Peligro de peso excesivo

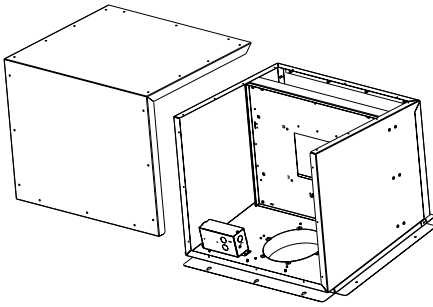
Use dos o más personas para mover e instalar la campana extractora.

De lo contrario, puede producirse una lesión en la espalda u otro tipo de lesión.

- Desconecte la corriente eléctrica.
- Determine el método de ventilación que va a utilizar: escape en el techo o en la pared.
- Con la ayuda de dos o más personas, traslade el sistema de motor soplador en línea al lugar de montaje.
- Retire los 10 tornillos de 3.1 x 15 mm de la cubierta de la carcasa y guárdelos para más adelante. Retire la cubierta frontal de la carcasa y déjela a un lado.

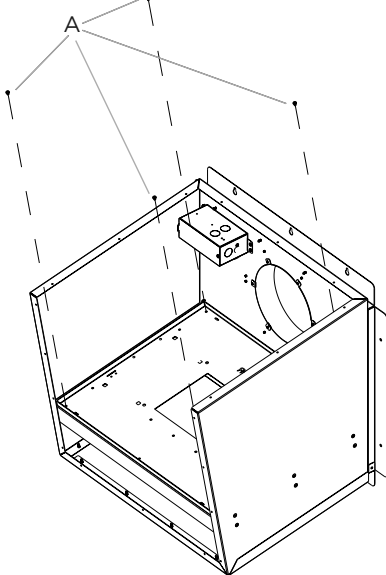


5 Retire la cubierta de la carcasa.

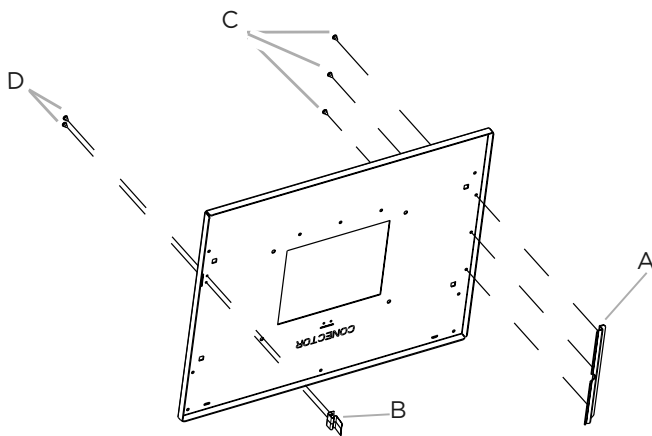


Para modelos de campana EAR134S4, EAR140S4, EAR146S4, ECL136S4, ECL142S4, ECL148S4, ETR134S1 y ETR146S5

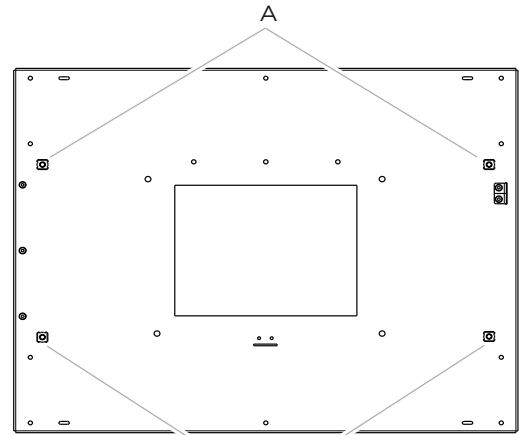
1 Desenrosque los 4 tornillos de 4,2 x 8 mm (A) del soporte de la placa de montaje y guárdelos para más adelante.



2 Fije el soporte de apoyo (A) y la lengüeta de resorte (B), los soportes de apoyo a las ranuras de los tornillos apropiados siguiendo la siguiente imagen.

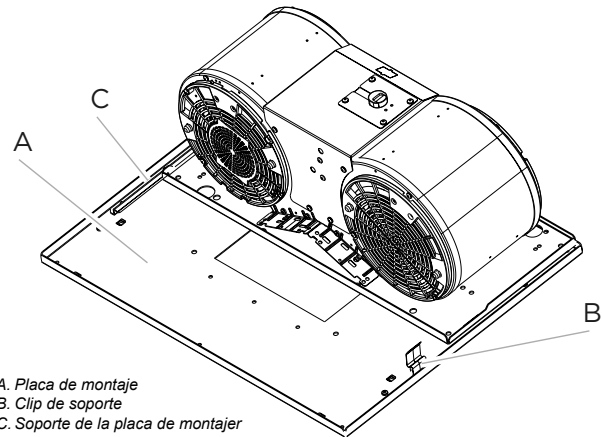


3 Coloque las tuercas sobre la parte superior de la carcasa en las ranuras de la derecha.



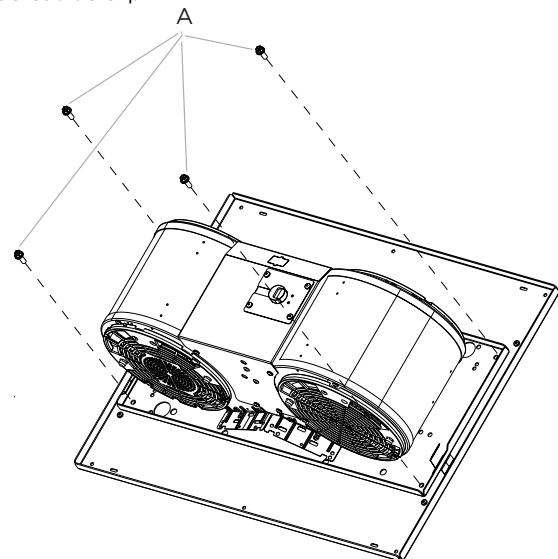
A. Tuercas enjauladas

4 Deslice hasta la mitad la placa de montaje del conjunto del motor del soplador, desde la parte delantera de la carcasa, suavemente sobre el soporte de la placa de montaje.

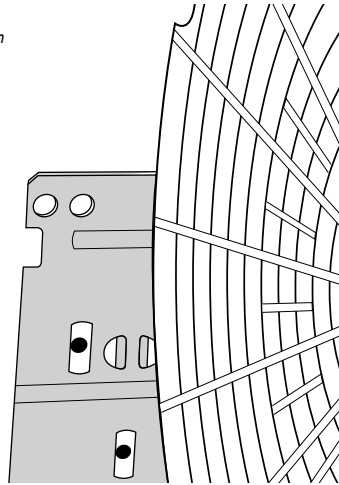
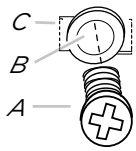


A. Placa de montaje
B. Clip de soporte
C. Soporte de la placa de montar

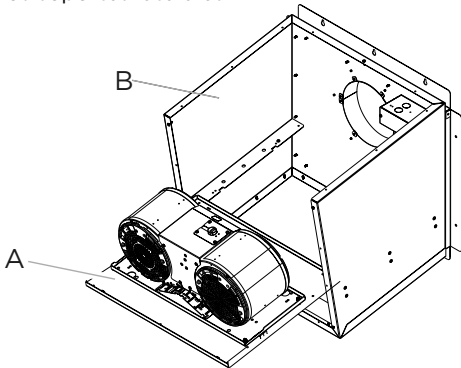
5 Empuje el extremo derecho de la placa de montaje del motor hacia arriba y encájelo en el clip de soporte
NOTA: el clip de soporte debe quedar fuera de la ranura de la placa de montaje. Alinee los agujeros de montaje en la placa de montaje del motor con las tuercas de clip de montaje del motor e instale 4 - 6 x 16 mm tornillos con tuercas de clip.



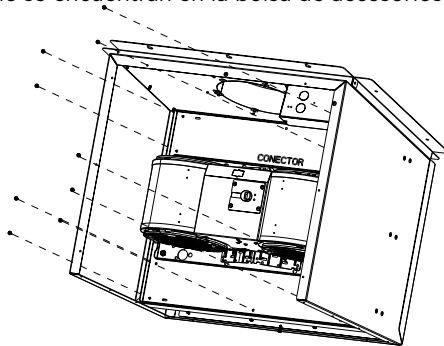
- A. Tornillo de 6 x 16 mm
- B. Arandela
- C. Tuerca enjaulada



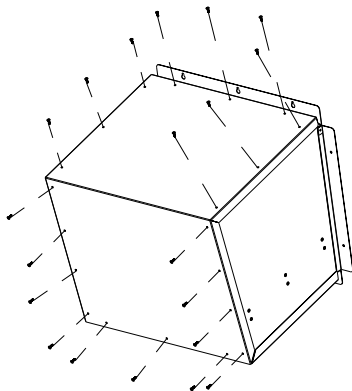
- 6 Deslice el soporte de la placa de montaje (A) en la carcasa sobre los soportes laterales.



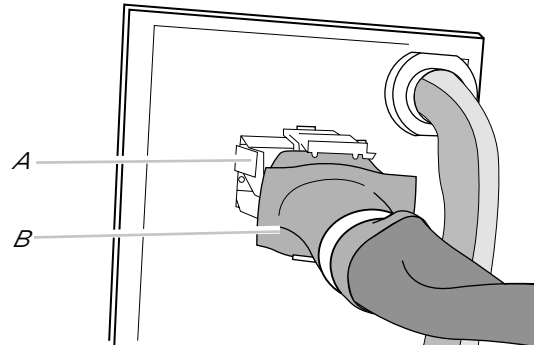
- 7 Vuelva a colocar el soporte de la placa de montaje en los soportes laterales y fíjelo con los 4 tornillos retirados anteriormente y con los 5 tornillos adicionales de 4,2 x 8 mm que se encuentran en la bolsa de accesorios.



- 8 Vuelva a colocar la tapa de la carcasa y fíjala con los 10 tornillos retirados anteriormente y los 5 tornillos adicionales de 4,2 x 8 mm contenidos en la bolsa de material.



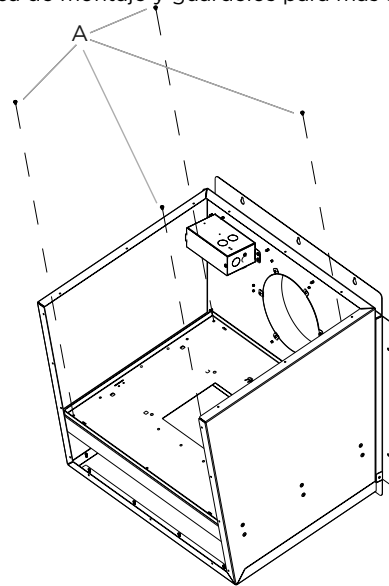
- 9 Attach power cord connector from the range hood to connector on wiring box.



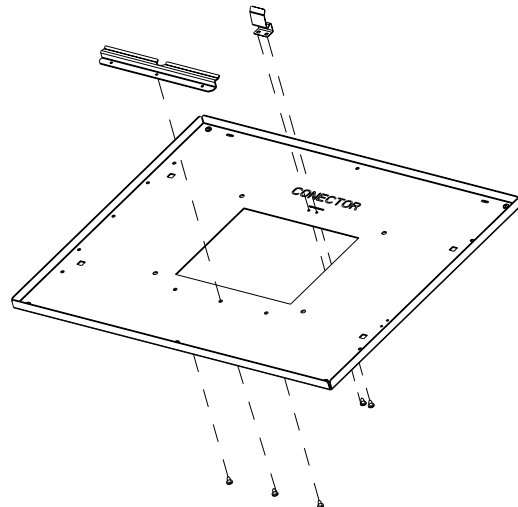
- A. Conector de caja
- B. Cable de alimentación

Para modelos de campana ELN136S2, ELN142S2, ELN148SS, ELI136S2 y ELI142S2

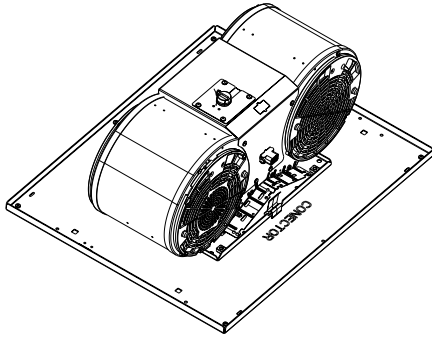
- 1 Desenrosque los 4 tornillos de 4,2 x 8 mm (A) del soporte de la placa de montaje y guárdelos para más adelante.



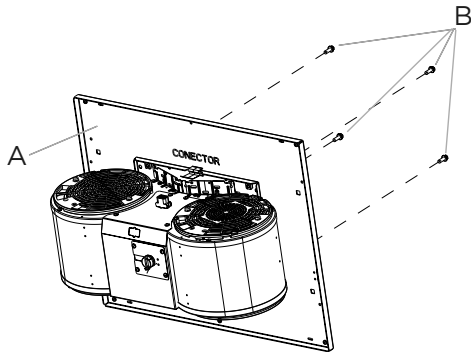
- 2 Fije el soporte y la lengüeta del muelle, los soportes en las ranuras de los tornillos correspondientes siguiendo la siguiente imagen.



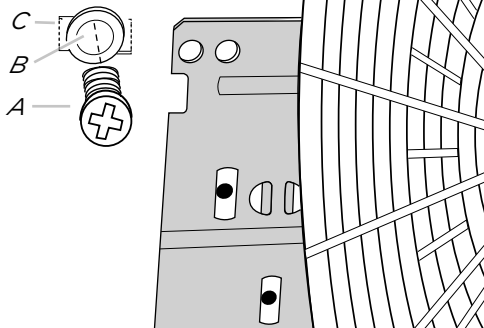
- 3 Deslice la placa de montaje del conjunto del motor del soplador, desde la parte delantera de la carcasa, suavemente sobre el soporte de la placa de montaje.



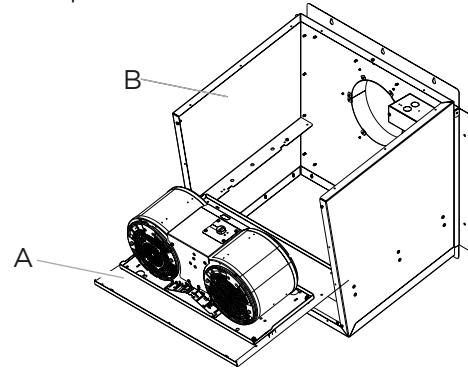
- 4 Empuje el extremo derecho de la placa de montaje del motor hacia arriba y encájelo en el clip de soporte.
 NOTA: el clip de soporte debe quedar fuera de la ranura de la placa de montaje.
- 5 Coloque las tuercas sobre la parte superior de la carcasa en las ranuras de la derecha y alinee los agujeros de montaje en la placa de montaje del motor (A) con las tuercas de clip de montaje del motor e instale 4 - 6 x 16 mm tornillos con tuercas de clip (B).



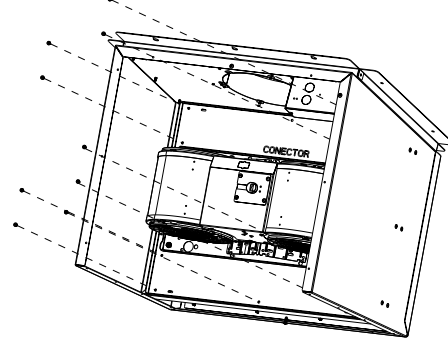
A. Tornillo de 6 x 16 mm
 B. Arandela
 C. Tuerca enjaulada



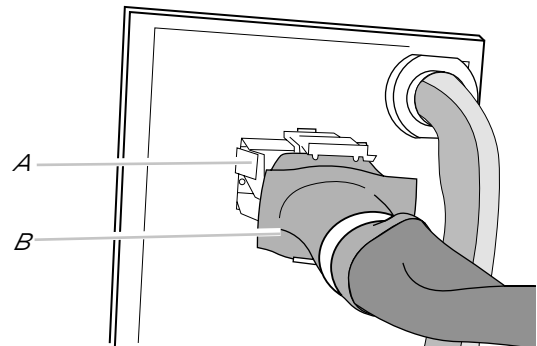
- 6 Deslice el soporte de la placa de montaje (A) en la carcasa sobre los soportes laterales.



- 7 Vuelva a colocar el soporte de la placa de montaje en los soportes laterales y fíjelo con los 4 tornillos retirados anteriormente y con los 5 tornillos adicionales de 4,2 x 8 mm que se encuentran en la bolsa de accesorios.

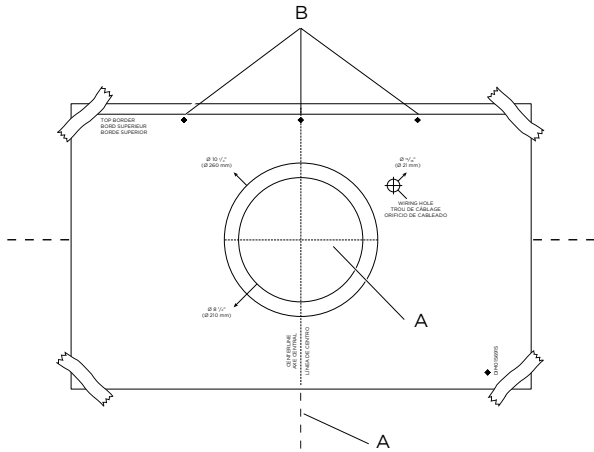


- 8 Conecte el conector del cable de alimentación de la campana extractora al conector de la caja de conexiones.



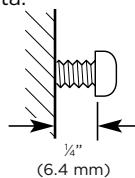
A. Conector de la caja de cableado
 B. Conector de alimentación de la campana extractora

- 1 Determine y marque la línea central del sistema de ventilación en la pared, donde se instalará el kit.
- 2 Desconecta la alimentación.
- 3 Pegue la plantilla de instalación en su lugar, alineando las líneas centrales de la plantilla con las marcas del muro ya hechas.

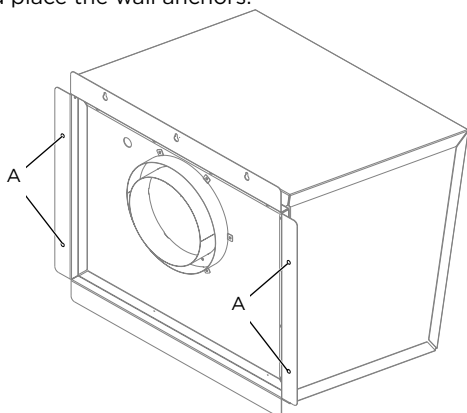


A. Plantilla de instalación
B. B. Orificios de montaje superior

- 4 Determine y haga todos los cortes necesarios para el sistema de ventilación.
- IMPORTANTE:** cuando corte o taladre en la pared, no dañe el cableado u otros servicios ocultos.
- 5 Determine la ubicación donde el cableado de 1/2" (1.3 cm) que se enrutará a través de la pared entre el sistema de ventilación y la campana extractora.
- 6 Taladre un orificio de 1 1/4" (3.2 cm) en esta ubicación.
- 7 Perfore los orificios piloto de montaje superior con una broca de 3/8" (0.95 cm) y coloque los taquetes de pared.
- 8 Deje un espacio de 1/4" (6.4 mm) entre la pared y la parte posterior de la cubierta.



- 9 Remove the template.
- 10 Place the kit in the desired location and mark with a pencil the location of the 4 mounting holes.
- 11 Remove the External Blower Kit.
- 12 Drill the 4 mounting pilot holes using a 3/8" (0.95 cm) drill bit and place the wall anchors.

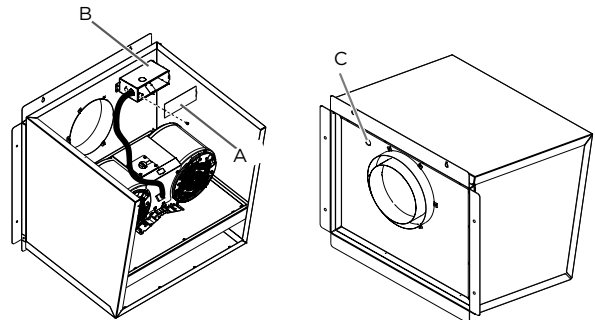


A. Mounting holes

- 13 Coloque y atornile el sistema de ventilación externa con 4 tornillos de 6.3 x 60 mm y 4 - arandelas 6.4x18 (las piezas en el kit)
- NOTA:** La carcasa del motor de ventilación externa se puede montar utilizando los 4 agujeros de entrada o salida
- 14 Si se quitó, vuelva a instalar el motor y asegúrelo con los tornillos previamente retirados.
- 15 Si se retiró, vuelva a conectar el enchufe eléctrico del motor.

Complete la preparación

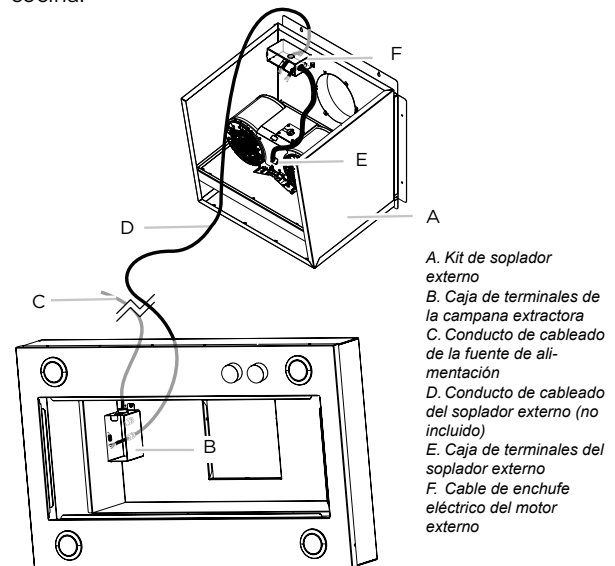
- 1 Ubique las cajas de terminales eléctricas del motor externo y la campana extractora. Retire las cubiertas y tornillos de las cajas de terminales.



A. Cubierta de la caja de Terminales
B. Knockout
C. Tornillos de la caja de terminales

- 2 Retire el knockout del kit de ventilación externa y la campana extractora (consulte las instrucciones de instalación de la campana extractora) para preparar la instalación del conducto de cableado y el conector de conducto de 1/2" (1,3 cm) listados por UL o aprobados por CSA.
- 3 Con la campana extractora montada (consulte las instrucciones de instalación de la campana extractora), pase el conducto de cableado de 1/2" (1,3 cm) entre la carcasa del kit de ventilación externa y la campana extractora. Tire del conducto de cableado de 1/2" (1,3 cm) para permitir una fácil conexión a las cajas de terminales en el alojamiento del soplador externo y la campana de cocina.

NOTA: si es necesario, retire la transición de la campana de cocina.

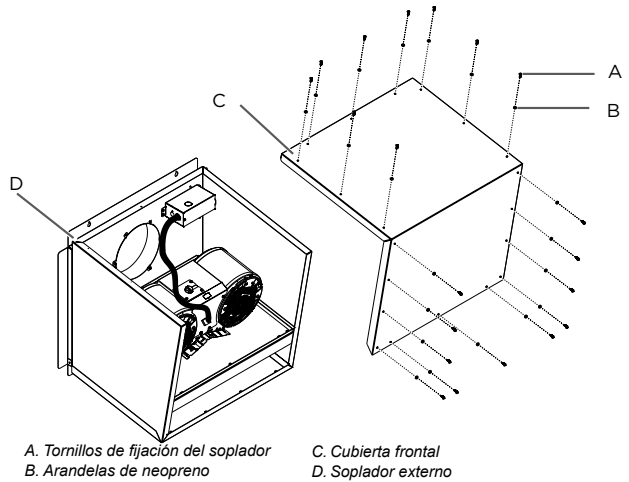


A. Kit de soplador externo
B. Caja de terminales de la campana extractora
C. Conducto de cableado de la fuente de alimentación
D. Conducto de cableado del soplador externo (no incluido)
E. Caja de terminales del soplador externo
F. Cable de enchufe eléctrico del motor externo

- 4 Instale los conectores de conductos y el conducto a la carcasa del soplador externo y a las cajas de terminales eléctricas de la campana extractora.
NOTA: Si se ha retirado, instale la transición de la campana extractora.
- 5 Conecte el sistema de ventilación a la campana extractora y al sistema de soplado externo. Selle todas las juntas con abrazaderas.
- 6 Una vez realizada la conexión eléctrica, coloque la cubierta frontal del kit con las arandelas de neopreno y los tornillos de fijación del soplador.

⚠ADVERTENCIA

Para el correcto uso de su producto, debe instalar las arandelas de neopreno para evitar la entrada de agua. Vuelva a colocar la tapa de la carcasa y fijela con los 10 tornillos retirados anteriormente y los 5 tornillos adicionales de 4,2 x 8 mm contenidos en la bolsa de accesorios.



A. Tornillos de fijación del soplador
B. Arandelas de neopreno
C. Cubierta frontal
D. Soplador externo

Instrucciones de conexión eléctrica

Conexión eléctrica para el sistema de motor de soplado externo

⚠ADVERTENCIA

Peligro de Choque Eléctrico
Desconecte la energía antes de dar servicio.
Reemplace todas las piezas y paneles antes de operar.
De lo contrario, puede provocar la muerte o una descarga eléctrica.

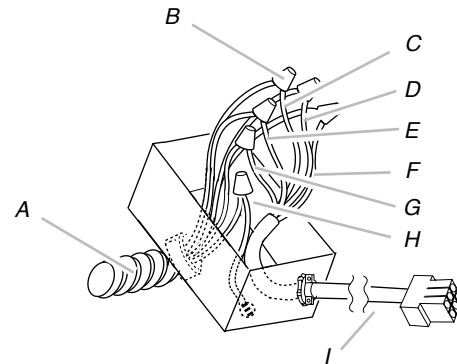
⚠ADVERTENCIA

Peligro de Choque Eléctrico
Soplador de tierra eléctrico.
Conecte el cable de tierra al cable de tierra verde y amarillo en la caja de terminales.
De lo contrario, puede provocar la muerte o una descarga eléctrica.

NOTA: Se anexa el esquema de diagrama eléctrico al final de documento.

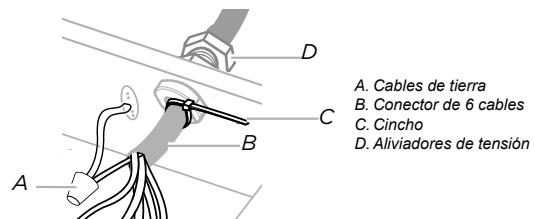
Conexión Eléctrica del Sistema de Ventilación Externa

- 1 Desconecte la corriente.
- 2 Conecte los cables del conducto de cableado a los cables del cable del enchufe eléctrico del motor dentro de la caja de terminales de la caja del ventilador externo.
- 3 Use conectores de cables aprobados por UL y conecte los cables negros (C).
- 4 Use conectores de cables aprobados por UL y conecte los cables blancos (D).
- 5 Use conectores de cables aprobados por UL y conecte los cables rojos (E).
- 6 Use conectores de cables aprobados por UL y conecte los cables azules (F).
- 7 Use conectores de cables aprobados por UL y conecte los cables grises (G).
- 8 Conecte el cable de tierra verde (o verde / amarillo) del conducto de cableado al cable de tierra verde (o amarillo/verde) (H), blanco y negro en la caja de terminales usando conectores de cables aprobados por UL.



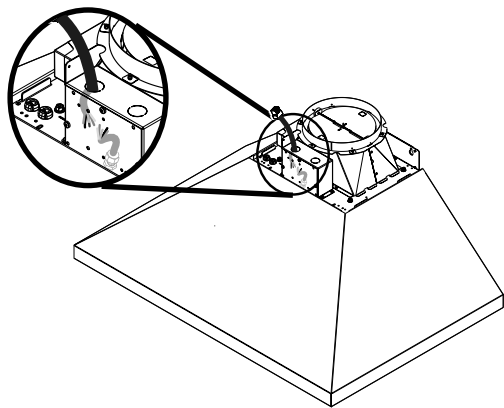
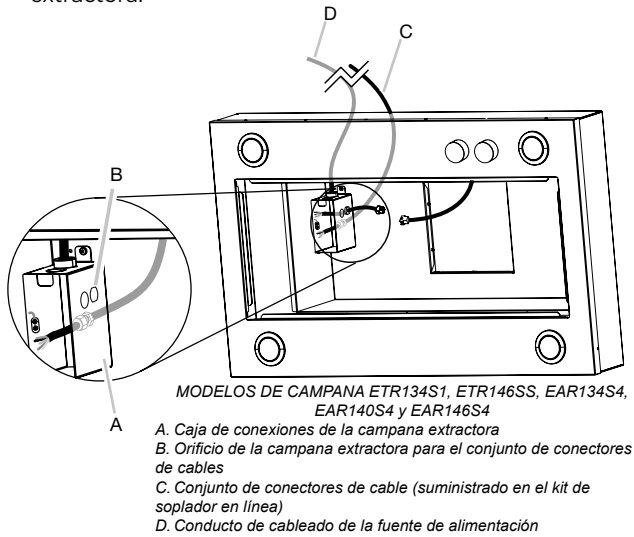
A. Conducto de cableado de 1/2" aprobado por UL o por CSA
B. Conectores aprobados por UL
C. Cables negros
D. Cables blancos
E. Cables rojos
F. Cables azules
G. Cables grises
H. Cables verdes (o amarillos/ verdes), negro y blanco.
I. Cable de enchufe eléctrico del motor

- 9 Una vez que se realiza la conexión, es necesario ajustar el conector de 6 cables con el cincho incluido.

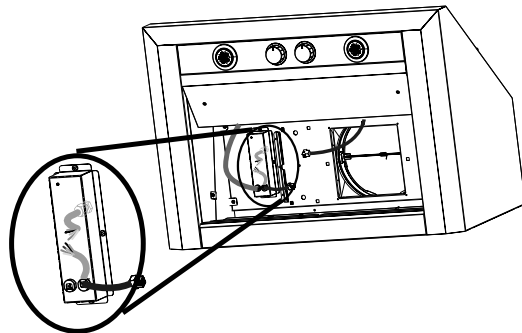


- 10 Vuelva a instalar la cubierta y los tornillos de la caja de terminales del ventilador externo.
- 11 Vuelva a instalar la cubierta frontal de la carcasa del ventilador externo y asegúrela con 10 tornillos de montaje.

- 1 Con la campana extractora montada (consulte las instrucciones de instalación de la campana extractora), ubique el conector del cableado dentro de la campana extractora.

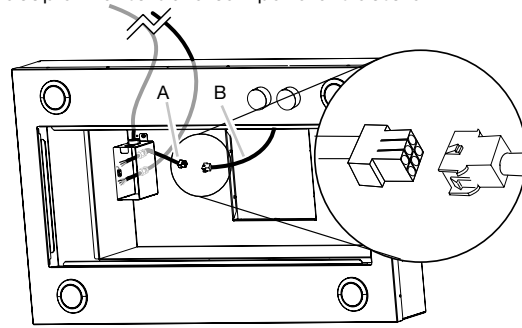


- A. Caja de conexiones de la campana extractora
 B. Orificio de la campana extractora para el conjunto de conectores de cables
 C. Conjunto de conectores de cable (suministrado en el kit de soplador en línea)
 D. Conduito de cableado de la fuente de alimentación



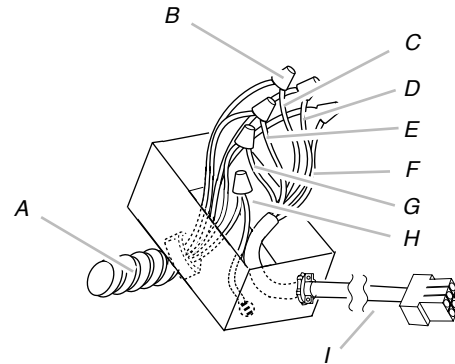
- A. Caja de conexiones de la campana extractora
 B. Orificio de la campana extractora para el conjunto de conectores de cables
 C. Conjunto de conectores de cable (suministrado en el kit de soplador en línea)
 D. Conduito de cableado de la fuente de alimentación

- 2 Conecte el conjunto de conector de 6 cables suministrado con el sistema del motor de ventilación externa al conector de acoplamiento de la campana extractora



- 3 Instale los aliviadores de tensión homologados o aprobados por UL. Deslice a través de éstos el conector de 6 cables y el conducto de cableado del sistema de ventilación externa (no incluido, dejando suficiente longitud del cable para realizar las conexiones del cableado).
- 4 Apriete los tornillos de alivio de tensión.
- 5 Conecte los cables del ensamble del conector de 6 cables a los cables del conducto de cableado dentro de la caja de terminales de la campana extractora.
- 6 Conecte los cables del mismo color entre sí (negro a negro, blanco a blanco, etc.) usando conectores de cables aprobados por UL.

NOTA: Conecte el cable de tierra verde (o verde / amarillo) del conducto de cableado al cable de tierra verde (o desnudo) de la fuente de alimentación doméstica y al cable de tierra verde / amarillo del conjunto de conector de 6 cables (H) utilizando conectores de cables aprobados por UL (consulte la sección “Hacer conexiones de la fuente de alimentación eléctrica a la campana extractora” en las instrucciones de instalación de la campana extractora).



- A. Conduito de cableado de 1/2" aprobado por UL o por CSA
 B. Conectores aprobados por UL
 C. Cables negros
 D. Cables blancos
 E. Cables rojos
 F. Cables azules
 G. Cables grises
 H. Cables verdes (o amarillos/ verdes), negro y blanco.
 I. Cable de enchufe eléctrico del motor

- 7 Conecte el cableado de la fuente de alimentación doméstica a la campana extractora siguiendo las instrucciones que se suministran con la campana extractora.
- 8 Vuelva a instalar la tapa de la caja de terminales de la campana extractora.
- 9 Vuelva a conectar la potencia

ELICA North America

GARANTÍA LIMITADA DE DOS AÑOS

Registre su producto en

elica.com

y gane un 3^{er} año de garantía de fábrica que cubre todas las partes además de la mano de obra.

PARA OBTENER SERVICIO DENTRO DE GARANTÍA

El propietario debe presentar su recibo original de la compra. Guarde por favor una copia de su recibo de compra como prueba, para recibir el servicio dentro del periodo de garantía.

PARTES Y GARANTÍA DE SERVICIO

Por el periodo de dos (2) años desde la fecha original de la compra, Elica proveerá, gratuitamente, partes no-consumibles o componentes que hayan fallado debido a defectos de fabricación. Durante estos dos (2) años de garantía limitada, Elica también proveerá gratuitamente, todo el servicio en casa y mano de obra necesaria para reemplazar cualquier parte defectuosa.

QUÉ NO ESTÁ CUBIERTO

- Daños o fallas del producto causados por accidente o actos de Dios, tales como inundaciones incendios o terremotos.
- Daños o fallas causadas por alteración del producto o por el uso de partes no-originales.
- Daños o fallas del producto causados durante la entrega, manejo o instalación.
- Daños o fallas del producto causados por abuso del usuario.
- Daños o fallas del producto causados por reemplazo de fusibles dañados o reseteo de interruptor de circuito.
- Daño o fallas causados por el uso del producto en un ambiente comercial (no doméstico).
- Viajes de servicio para proporcionar orientación de uso o instalación.
- Bombillas, filtros de carbón o metal y cualquier otra parte consumible.
- Desgaste normal.
- Desgaste terminal debido a abusos del usuario, mantenimiento inadecuado, uso de productos / toallas de limpieza corrosivos o abrasivos y por uso de limpiadores para hornos.
- Cuando el producto no hubiese sido operado de acuerdo con el instructivo de uso que se le acompaña.

QUIÉN ESTÁ CUBIERTO

Esta garantía se extiende al comprador original de productos adquiridos para uso residencial en Norte América (incluyendo Estados Unidos, Guam, Puerto Rico, Islas Vírgenes de EU y Canadá).

Esta garantía no es transferible y aplica solamente al comprador original y no se extiende a propietarios subsecuentes del producto. Esta garantía se expresa en lugar de otras garantías, expresadas o implícadas, incluyendo, pero no limitada a ninguna garantía implícada de comercialización o adaptada para propósitos particulares y cualquier otra obligación por parte de Elica North America, considerando, sin embargo, que si la negación de garantías implícitas es inefectiva bajo la ley aplicable, la duración de cualquier garantía implícita será limitada a dos (2) años desde la fecha original de compra o por el periodo necesario como sea requerido por la ley aplicable.

Esta garantía no cubre cualquier daño especial, incidental y/o consecuente, ni pérdidas de ganancias, sufridas por el comprador original, sus clientes y/o usuarios del producto.

A QUIÉN CONTACTAR

Para obtener Servicio bajo Garantía o para cualquier pregunta relacionada a Servicio:
Favor de llamar a:

- **USA & CANADA - Provincias Occidentales**
SERVICE POWER
888 732 8018
elica@servicepower.com
- **CANADA - Provincia de Ontario**
AGI Services
888 651 2534
service@agintl.qc.ca
- **CANADA - Provincias de Quebec & Atlántico**
Ateliers G. Paquette
800 463 0119
service@ateliersgpaquette.com

Para garantizar un rápido servicio postventa, cuando llame le pediremos que amablemente brinde la siguiente información que se indica en la placa de identificación que está dentro de la campana: **modelo de campana, 12 NC y fecha de compra en su factura original**. Para acceder a la placa de identificación, todo lo que tiene que hacer es quitar los filtros de grasa.

12NC: _____

Modelo de campana: _____

No. Serie: _____

Fecha de compra en su factura original: _____

