

**Kräus®**

INSTALLATION MANUAL

# **Zero-Radius Handmade Stainless Steel Kitchen Sinks (Pax™ and R0 PRO™ Series)**

KHU15 & KHU15C / KHU19 & KHU19C / KHU23 &  
KHU23C / KHU24L & KHU24CL / KHU29 & KHU29C  
KHU32 & KHU32C / KHU322 & KHU322C

## Thank you for your purchase

We would like to take this opportunity to thank you for choosing Kraus. We hope that you are completely satisfied with your purchase, and enjoy it for years to come. If you have any questions, or require technical assistance, please contact us at 800.775.0703 and one of our representatives will be happy to help.

For more information about Kraus products, please visit:

**[www.kraususa.com](http://www.kraususa.com)**

In order to activate your warranty and get faster access to customer support, please register your new Kraus product at:

**[www.kraususa.com/registration](http://www.kraususa.com/registration)**

*Sincerely,*

*Kraus USA Customer Service*

## **Prior to Installation:**

- Make sure that you have all necessary parts by checking the parts list. If any part is missing or damaged, please contact Kraus Customer Service at 800-775-0703 for a replacement
- Inspect the sink prior to installation to make sure that it has not been damaged or during shipping
- Use the cut-out template provided by Kraus
- Observe all plumbing and building codes according to your state requirements
- Not recommended to be installed with laminate countertop

**For technical assistance or replacement parts, please contact Kraus Customer Service and one of our representatives will be happy to help:**

Toll-Free: 800-775-0703 or [Customerservice@kraususa.com](mailto:Customerservice@kraususa.com)

The step-by-step guidelines in the installation instructions are a general reference for installing a Kraus Sink. Should there be any discrepancies, Kraus cannot be held liable. It is recommended to install all Kraus products by hiring a licensed professional.

## Tools you will need:

---



**NOTE:** Specialized tools may be necessary to install Kraus Stainless Steel Undermount sinks with countertop materials other than wood, marble, or granite

## Parts List

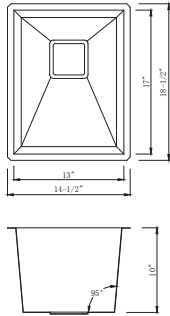
---

- Cut-Out Template
- Mounting Hardware
- Bottom Grids
- Drain
- Compatible with Kraus Exclusive garbage disposal adapter GDA-1 (not included with purchase)

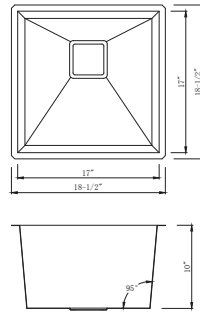
**NOTE:** Bottom grids and drains are not included with C-series sinks

# Dimensions

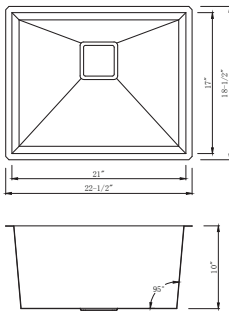
---



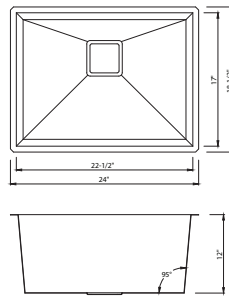
**KHU15 & KHU15C**  
**14.5" x 18.5" x 10"**  
**Min Cabinet Size: 18"**  
**Drain Model #: ST-3**  
**Optional Drain#: GDA-1**



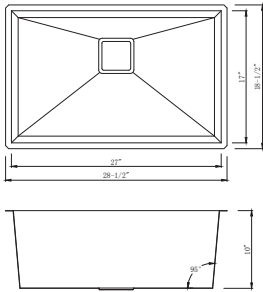
**KHU19 & KHU19C**  
**18.5" x 18.5" x 10"**  
**Min Cabinet Size: 24"**  
**Drain Model #: ST-3**  
**Optional Drain#: GDA-1**



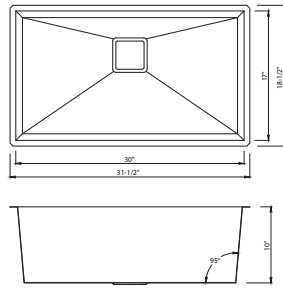
**KHU23 & KHU23C**  
**22.5" x 18.5" x 10"**  
**Min Cabinet Size: 27"**  
**Matching Grid: KBG-H23**  
**Drain Model #: ST-3**  
**Optional Drain#: GDA-1**



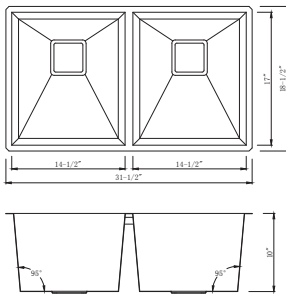
**KHU24L & KHU24CL**  
**24" x 18.5" x 12"**  
**Min Cabinet Size: 27"**  
**Drain Model #: ST-3**  
**Optional Drain#: GDA-1**



**KHU29 & KHU29C**  
 28.5" x 18.5" x 10"  
 Min Cabinet Size: 33"  
 Matching Grid: KBG-H29  
 Drain Model #: ST-3  
 Optional Drain#: GDA-1



**KHU32 & KHU32C**  
 31.5" x 18.5" x 10"  
 Min Cabinet Size: 36"  
 Matching Grid: KBG-H32  
 Drain Model #: ST-3  
 Optional Drain#: GDA-1

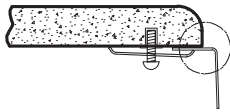


**KHU322 & KHU322C**  
 31.5" x 18.5" x 10"  
 Min Cabinet Size: 36"  
 Matching Grid: KBG-H322-1 & KBG-H322-2  
 Drain Model #: ST-3  
 Optional Drain#: GDA-1

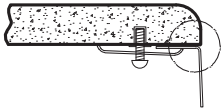
# 1. Determine Reveal Type

---

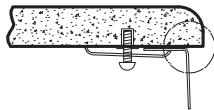
Use scissors to cut along the line of the paper template for your desired reveal type (Negative, Positive, or Flushed Reveal)



3/8" Positive Reveal

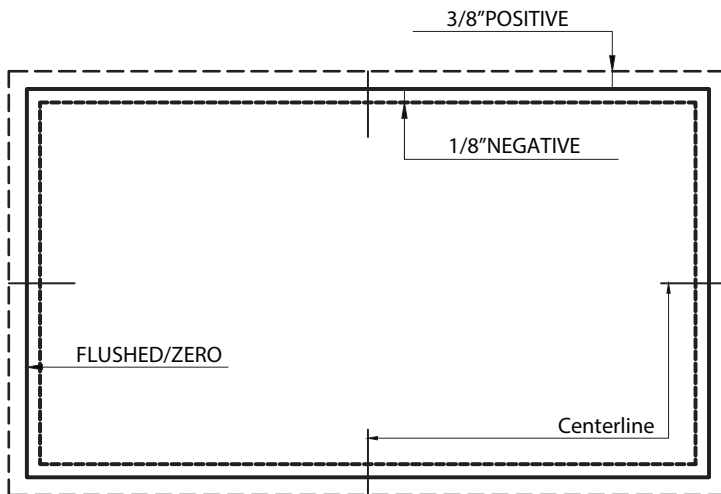


Flushed/Zero Reveal



1/8" Negative Reveal

KRAUS Recommended Installation Type

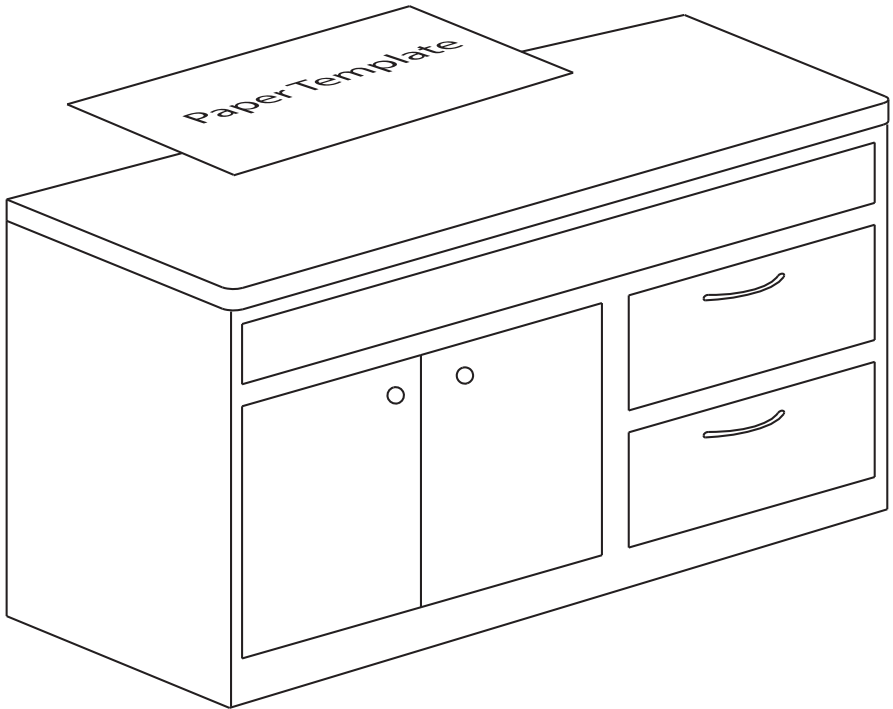


## 2. Position Template

---

- Check the cut-out template against the actual sink to ensure a proper sized cut-out
- Place the cut-out template in the desired location on the countertop

**NOTE:** Make sure clearance is suitable for backsplash, faucet, and plumbing for the sink

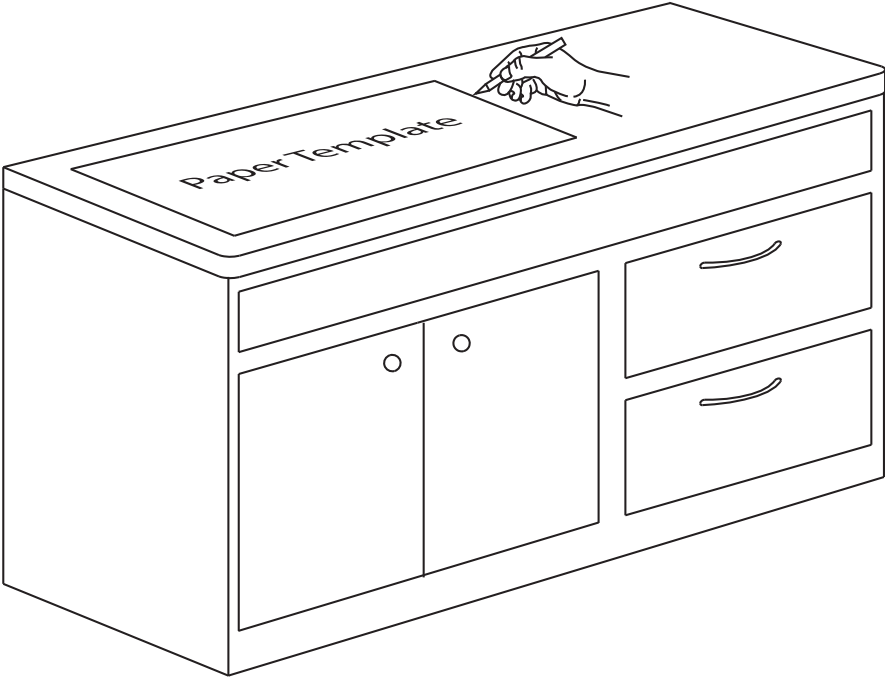




### 3. Trace Template

---

- Trace template on countertop with a pencil

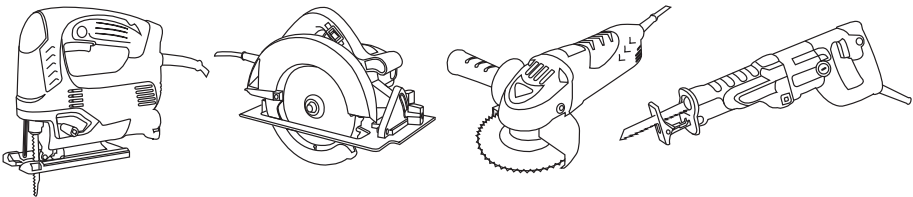
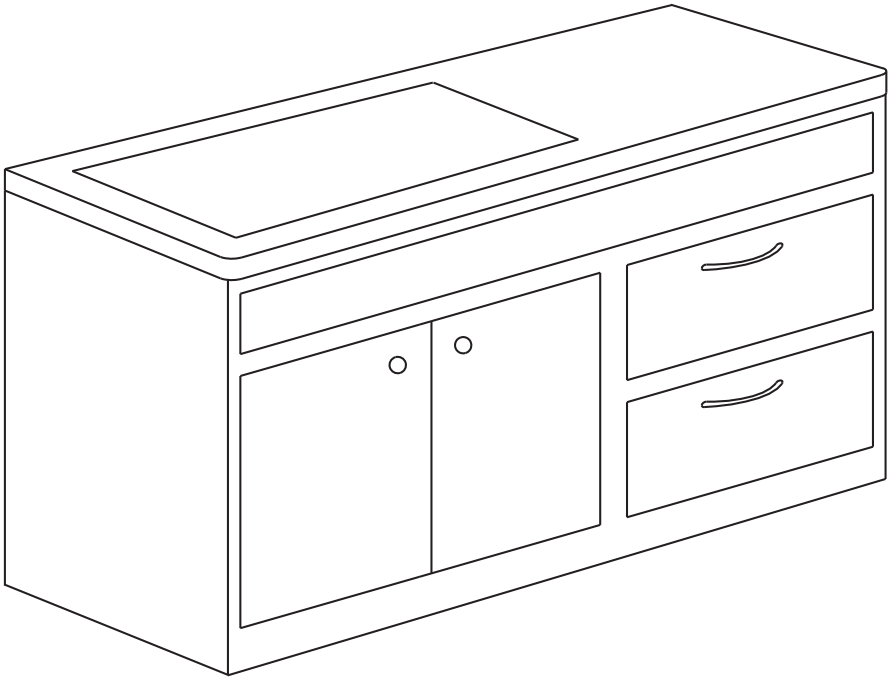


## 4. Cut Countertop

---

- Cut the opening in the countertop by carefully following the traced line

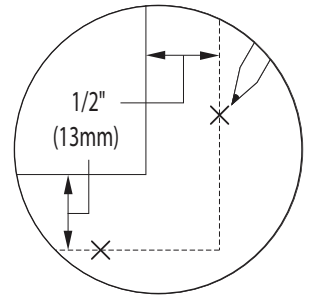
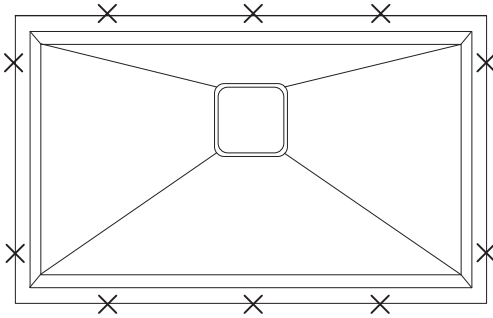
**NOTE:** Please use the appropriate saw that best fits your countertop material



## 5. Set up Mounting Brackets

---

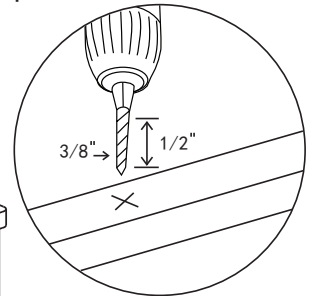
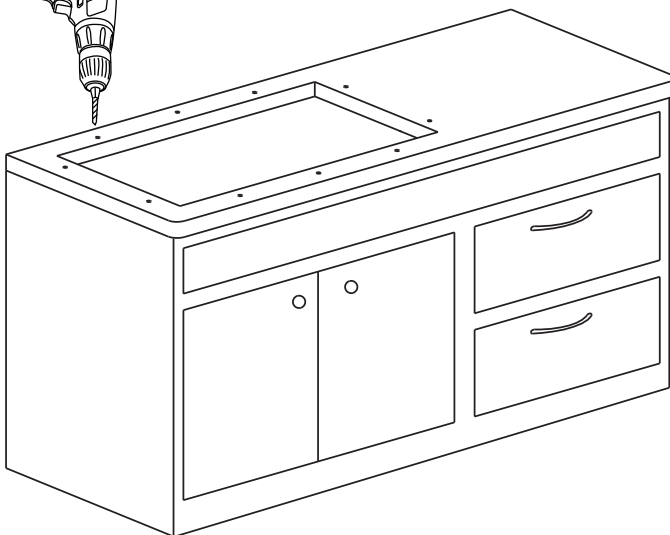
- Turn countertop over and align sink with countertop. Decide location for mounting brackets
- Mounting holes should be  $\frac{1}{2}$ " from edge of sink



## 6. Drill Hole in Countertop

---

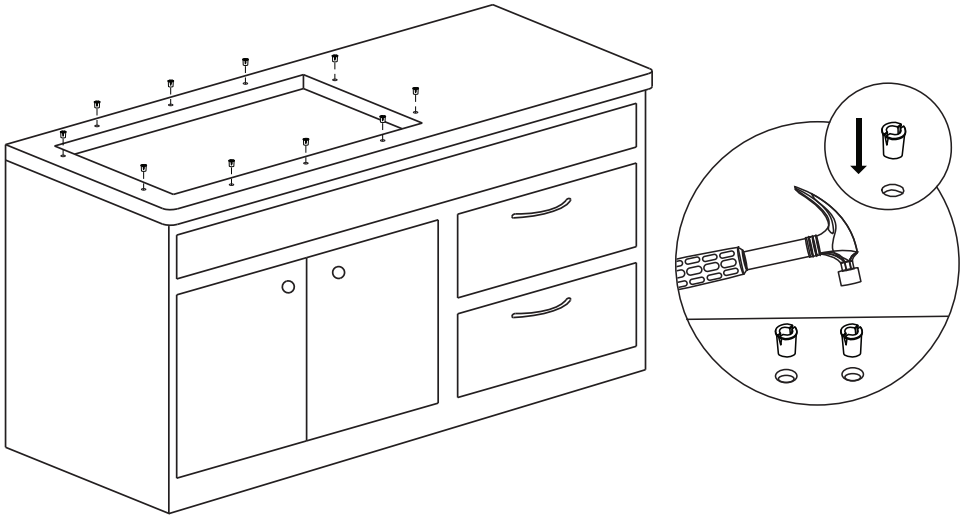
- Drill  $\frac{3}{8}$ " diameter x  $\frac{1}{2}$ " deep hole in the countertop



## 7. Install Anchors

---

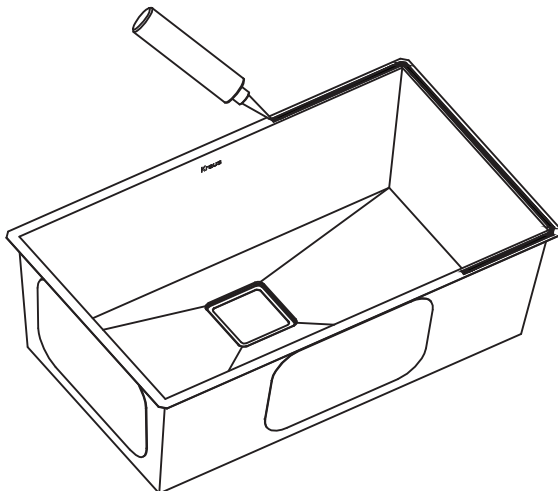
- Insert anchors into drilled holes and lightly tap with a hammer until flush



## 8. Secure Sink to Countertop

---

- Use a bead of silicone (or preferred adhesive) around the rim of the sink. Check the alignment of the sink to the cutout in the countertop. Place sink over cutout hole and press firmly

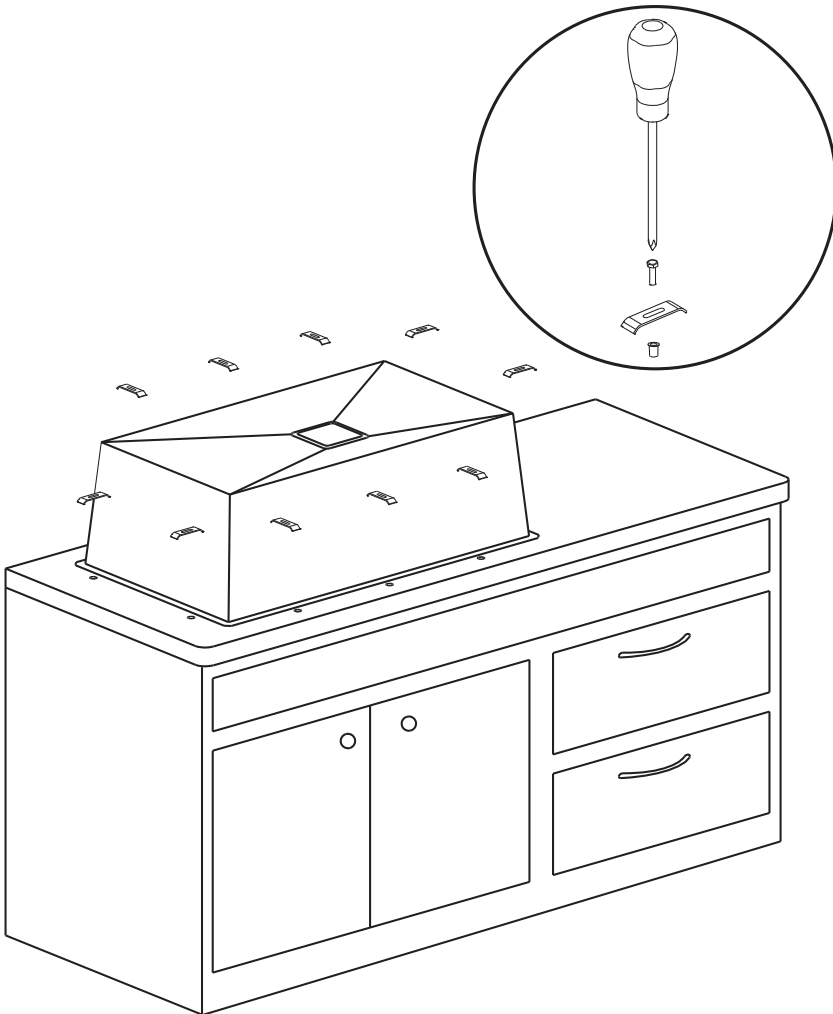


## 9. Attach Mounting Hardware

---

- Attach mounting hardware to secure bowl. Remove excess sealant from inside lip
- Allow sealant to set for 30 – 60 minutes

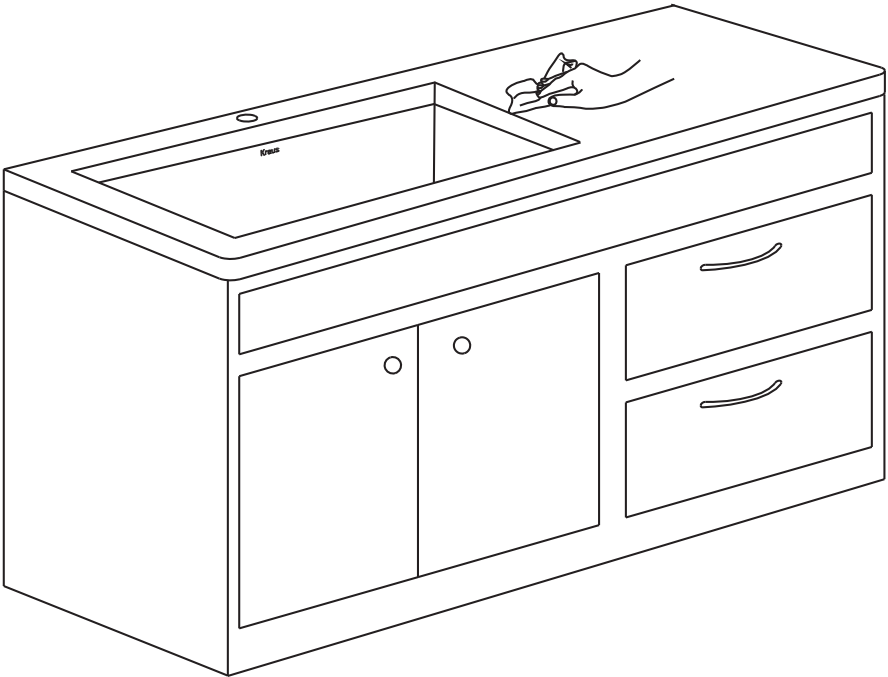
**NOTE:** Use acetone or rubbing alcohol to remove any excess sealant



## 10. Install Plumbing Fixtures

---

- Connect drain to sink. Connect trap to drain. Connect water supply connections to faucet according to manufacturer's instructions
- Run water into sink and check for leaks



## Codes/Standards Applicable:



## HELP LINE

---

Our customer service hours are Monday – Friday, 9am – 8pm EST.  
Be sure to visit our website at [www.kraususa.com](http://www.kraususa.com)

**If you are a HOMEOWNER please contact a Kraus Customer Service Representative at:**

Kraus USA, Inc.  
12 Harbor Park Drive  
Port Washington, NY 11050  
Toll-free 800-775-0703  
[Customerservice@kraususa.com](mailto:Customerservice@kraususa.com)

**If you are a PLUMBING CONTRACTOR OR TRADE PROFESSIONAL please contact a Kraus Pro Representative at:**

Kraus USA, Inc.  
12 Harbor Park Drive  
Port Washington, NY 11050  
516-801-8955  
[Proservice@kraususa.com](mailto:Proservice@kraususa.com)

**If you are an AUTHORIZED PARTNER please contact a Partner Support Representative at:**

Kraus USA, Inc.  
12 Harbor Park Drive  
Port Washington, NY 11050  
516-801-8954  
[Partnersupport@kraususa.com](mailto:Partnersupport@kraususa.com)

**In requesting warranty service, please be ready to provide:**

1. Proof of purchase.
2. A description of the problem.

**REGISTER YOUR PRODUCT TODAY**

**Receive** Proof of Ownership

**Access** Customer Care & Installation Help

**Get** Exclusive Kraus Offers & Promotions



Scan to Register Online  
or visit <http://www.kraususa.com/registration>

**We're always looking for ways to improve.**

Please take a moment to share your experience.  
Visit <http://www.kraususa.com/review> to let us know what you think  
about your new Kraus product.

Contact Us to Learn More  
1.800.775.0703 / [www.kraususa.com](http://www.kraususa.com) / [customerservice@kraususa.com](mailto:customerservice@kraususa.com)  
Like & Follow KrausUSA

Download the Kraus Care & Maintenance Guide at:  
<http://www.kraususa.com/maintenance>



**Kräus<sup>®</sup>**

[www.kraususa.com](http://www.kraususa.com)